

USER MANUAL

MODEL NAME: LOVECLEAN COMPACT UV STERILISER

MODEL NUMBER: LOV13002



loveamme
love in every drop



Thank you for choosing LoveAmme®'s products!

Please read the user manual carefully before use.

The pictures here are for reference. We continually improve our products and the images may differ slightly from your product.

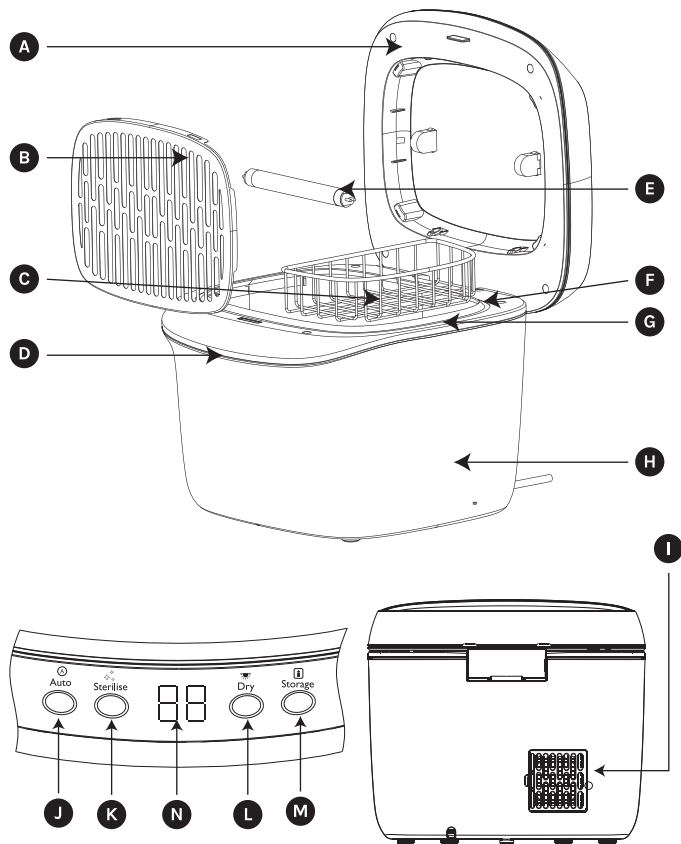
CONTENTS

01	Warnings	2
02	Product Overview	3
03	Using the LoveAmme® LoveClean Compact	4
04	Function Settings	5
05	Tips for use	6
06	Product Parts Replacement	7
07	Cleaning & Maintenance	8
08	Authorised Distributors	8

01 WARNINGS

- 1) Unpack the product and check the accessories (1 x User manual, 1 x Accessories tray, 1 x Spare filter)
- 2) Before use:
 - a) Check that voltage indicated on the bottom of the appliance corresponds to your mains voltage before connecting the appliance.
 - b) Wipe the inside of the UV Steriliser with a clean, damp cloth.
 - c) Put a few slices of lemon or ginger in the UV Steriliser. Do not place any other items in the UV steriliser.
 - d) Press the “Auto” function button. Run this mode five times before use.
 - e) Open the lid for 12 hours to deodorise the new machine.
- 3) Do not lift or move the UV Steriliser during use.
- 4) The height of the baby bottle or other products placed in the UV Steriliser should not exceed 17cm.
- 5) Do not use accessories or parts produced by other brands as doing so will void the warranty of this product. The use of said accessories or parts which are not recommended or sold by LoveAmme® may cause potential injuries.
- 6) This product is not a toy. Do not place this product within reach of children or babies. This appliance should not be used by children.
- 7) If the UV lamp is damaged or needs to be replaced, it must be replaced with LoveAmme®'s specified UV Lamp or by any of our authorised service centers to avoid potential safety hazard.
- 8) If there is any breakage or damage to the UV Steriliser, or if the power cord is damaged, please stop using the appliance and send it to any of our authorised service centres for further inspection or repair (if required).
- 9) This product is designed for home and indoor use only.
- 10) This product can be used by persons with reduced physical, sensory or mental capabilities or lack of experience and knowledge if they are supervised or given proper instruction on the correct use of the UV Steriliser.
- 11) This UV Steriliser is only intended for the purpose described in this user manual. Do not use this UV Steriliser or any part of the appliance outside of its intended uses to avoid potential injuries and other hazards.
- 12) Do not use the Dry, Auto or Storage Functions for electronic products. Only use the Sterilise Function for electronic products.

02 PRODUCT OVERVIEW



Item	Name
A	Display Cover
B	Stainless Steel Reflective Cover
C	Stainless Steel Accessories Tray
D	Base Cover
E	UV Lamp
F	Sealing Ring
G	Stainless Steel Inner Compartment

Item	Name
H	Steriliser Base
I	Air Vent
J	Auto Function Button
K	Sterilise Function Button
L	Dry Function Button
M	Storage Function Button
N	Steriliser Numerical Display

Materials and Resistance of Temperature Sensitive Parts:

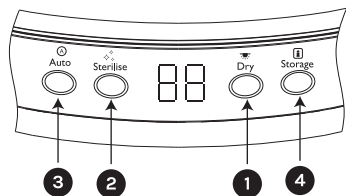
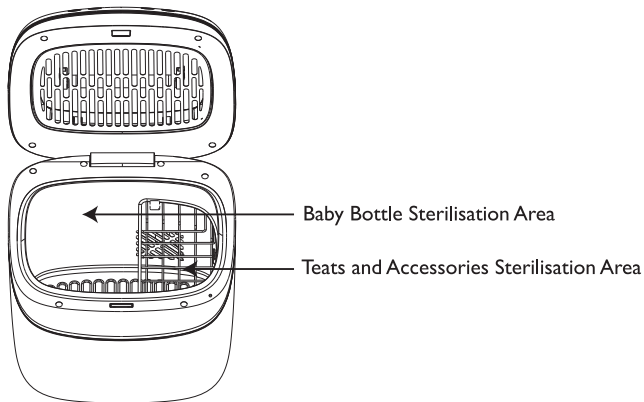
Name	Material	Maximum Temperature	Minimum Temperature
Display Cover	Polypropylene	120°C	-20°C
Base Cover	Polypropylene	120°C	-20°C
Sealing Ring	Silicone	200°C	-20°C
Base	Polypropylene	120°C	-20°C

Product Specifications:

Model Name: LoveClean Compact UV Steriliser
 Model Number: LOV13002
 Net Weight: 2.02 kg
 Gross Weight: 3.1 kg
 Product Dimensions: 280 x 280 x 247 mm
 Sterilising Power: 8W
 Drying Power: 75W
 Voltage: 220-240V~, 50/60Hz
 Inner Capacity: 7 Litres
 Using Condition: Indoor / Home Use

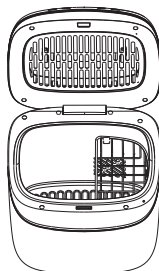
Safety Certification:

LoveClean Compact has been independently certified by international third party labs to meet IEC/EN 60335 standards, which is the European Standards governing the safety of electrical appliances intended for household use.

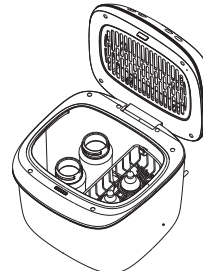


About the 4 Functions:

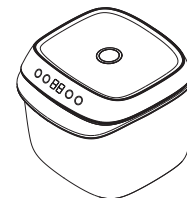
- 1) **DRY:** This function is used for drying objects only. There is no sterilisation.
- 2) **STERILISE:** This function is used for sterilising objects only. There is no drying.
- 3) **AUTO:** This function is used when both drying and sterilising functions are needed.
- 4) **STORAGE:** This function is used for keeping items sterilised in the UV Steriliser over a prolonged period.



▲ Figure A



▲ Figure B



▲ Figure C

How to Operate:

- 1) The height of the baby bottle or other items inserted into the steriliser should not exceed 17cm.
- 2) Lift to open the display cover (Figure A).
- 3) Wash items to be sterilised. Flick dry to remove excess water and place them in the UV Steriliser. Place small feeding parts such as teats and neck rings in the accessories tray. (Figure B)
- 4) Close the cover. (Figure C)
- 5) Switch on the power supply and the beeper will sound to indicate that the appliance is powered up. There is no separate power switch on the appliance. The numerical display and function buttons will be lit up for a second before changing to standby mode.
- 6) As bacteria favour wet conditions, if you have not used your steriliser for a few days, it is recommended to first use the Drying Function before sterilising.
- 7) Select your desired function to start the cycle.
- 8) If you have selected the wrong function, you can cancel your selection by simply pressing your other desired function button.



Dry Function

- a) This function is used for drying objects only. There is no sterilisation in this mode.
- b) Press the "Dry" button. The numerical display will flash 3 times and the "Dry" button will light up. This indicates that the drying cycle has started and it is a 30-minute cycle by default.
- c) There are 3 drying times for you to choose from - 30, 40 or 50 minutes. To select, toggle through the options by pressing the "Dry" button while the numerical display is flashing in (b). The selection will flash 3 times and the drying cycle will start.
- d) When the drying function is running, the cycle can be cancelled by pressing the "Dry" button.
- e) "Dry" button.
- f) The numerical display indicates the number of minutes left in the cycle.
- g) There will be an air ventilation mode lasting a minute before the end of the cycle. When the drying cycle is complete, the beeper will sound 6 times. The UV Steriliser will enter into the standby state.
- h) Note: Appliance may be hot after usage. Please be careful when retrieving objects from the appliance.

Sterilise Function

- a) This function is used for sterilising objects only. There will be no drying in this mode.
- b) Press the "Sterilise" button, the numerical display flashes 3 times and the "Sterilise" button will light up. This indicates that the sterilisation cycle has started. It is a 10-minute cycle by default.
- c) There are 3 sterilisation times for you to choose from - 10, 15 or 20 minutes. To select, toggle through the options by pressing the "Sterilise" button while the numerical display is flashing in (b). The selection will flash 3 times and the sterilisation cycle will start.
- d) When the sterilising function is running, the cycle can be cancelled by pressing the "Sterilise" button.
- e) The numerical display indicates the number of minutes left in the cycle.
- f) There will be an air ventilation mode lasting a minute before the end of the cycle.
- g) When the sterilisation cycle is complete, the beeper will sound 6 times. The UV Steriliser will enter into the standby state.

Auto Function

- a) This function is used when both drying and sterilisation functions are required.
- b) Press the "Auto" button, the numerical display flashes 3 times and the Auto button will light up. This indicates that the Auto cycle has started - first with the drying mode, followed by the sterilising mode. It is a 40-minute cycle by default.
- c) There are 3 Auto time settings for you to choose from -
 - i) 40 minutes: 30 minutes of drying + 10 minutes of sterilisation
 - ii) 50 minutes: 40 minutes of drying + 10 minutes of sterilisation
 - iii) 60 minutes: 50 minutes of drying + 10 minutes of sterilisation
- d) To select, toggle through the options by pressing the "Auto" button while the numerical display is flashing in (b). The selection will flash 3 times and your selected Auto cycle will start.
- e) The numerical display indicates the number of minutes left in the auto cycle. At the end of the drying mode, the sterilising mode will start automatically.
- f) There will be an air ventilation mode lasting a minute before the end of each cycle.
- g) When the "Auto" cycle is completed, the beeper will sound six times. The UV Steriliser will enter into the standby state.

Storage Function

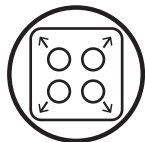
- a) This function is used for keeping items sterilised in the appliance up to 24 hours.
- b) Press the "Storage" button, the numerical display flashes 3 times and the Storage button will light up. This indicates that the Storage cycle has started. It will run one 50-minute Auto cycle, comprising 40 minutes of drying, and 10 minutes of sterilisation, before entering into storage mode.
- c) The numerical display indicates the number of minutes left in the Auto cycle.
- d) There will be air ventilation for a minute before the end of the Auto cycle. Sterilisation will be performed for 2 minutes every 2 hours, followed by an air ventilation mode for 20 seconds.
- e) When the "Storage" function is running, the function can be cancelled by pressing the "Storage" button.
- f) This program lasts for up to 24 hours before entering the standby state. When 24 hours is up, the beeper will sound three times and enter the standby state.
- g) For Your Safety: When the cover is opened during a cycle, the timer will stop and the selected function will stop. When the cover is closed back again, the previous selected function is automatically cancelled. To continue, please re-select the function.



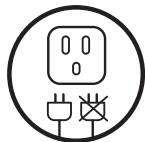
Please face bottle mouth opening upwards when placed into the sterilisation compartment.



Before placing the bottle, flick dry to remove excess water.



Please space out the items for more efficient sterilisation.



Do not use the same socket with other high power consumption appliances.



Time displayed shows the remaining time left for the selected function.



LoveClean can sterilise other items such as toys, clothes, blankets and small electronic items.



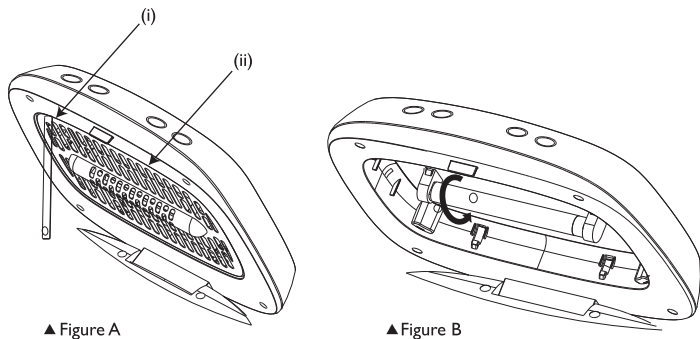
Press the function button to start. To cancel, wait for the indicator to stop flashing, then press the same function button.



Do not use the Dry, Auto or Storage Functions for electronic products. Only use the Sterilise Function.



a. How to Replace the UV Lamp:

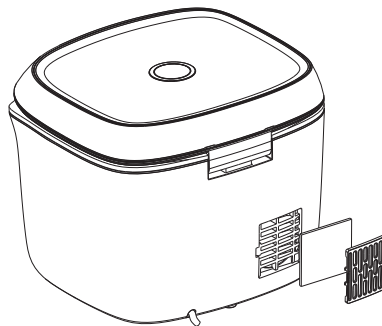


▲ Figure A

▲ Figure B

- 1) **WARNING!** Ensure that the appliance is disconnected from the power supply. Only change the UV Lamp when the appliance has cooled down.
- 2) Remove the reflective cover (Figure A) by using a flathead screwdriver to pry into the above location (i) and (ii). Be careful during removal as the grilles are sharp and can cut. You may want to cover the screwdriver head with cloth as it can easily scratch the appliance.
- 3) Hold the UV lamp gently and rotate it 45° away from you (Figure B). Remove the UV tube.
- 4) Clip the new UV lamp into the socket and rotate it 45° towards you. Refit the reflective cover to complete replacement.
- 5) It is recommended to replace the UV lamp every 18 months. The lifetime of the UV lamp exceeds 6000 hours of usage.
- 6) The UV lamp can be purchased from LoveAmme's Authorised Distributors.
- 7) **WARNING!** The sides of the reflective cover may be sharp. Be careful during removal and refitting.

b. How to Replace the Filter:



- 1) **WARNING!** Ensure that the appliance is disconnected from the power supply. Only change the filter when the Steriliser has cooled down.
- 2) The air vent location is indicated in the diagram. It is covered by a plastic grille. Squeeze the latch gently to the right side of the Steriliser to remove
- 3) the grille.
- 4) Remove and replace the filter.
It is recommended to replace the filter every 3 to 6 months.

07 CLEANING & MAINTENANCE



! Caution:

Clean the appliance immediately after every use.

Do not immerse the product into water or pour water directly into the product.

Do not use bleach, chemical solutions or cleaning tablets in the appliance.

Do not use steel wool, abrasive cleansers or corrosive liquid (such as petrol, acetone or alcohol) to clean the appliance.

How to Clean:

- 1) **WARNING!** Before carrying out any cleaning, always ensure that the appliance is disconnected from the power supply. After use, there will be residual heat inside the product. Please allow the Steriliser to cool down before cleaning it.
- 2) Open the cover and remove the accessories tray.
- 3) Wipe the product with a dry towel or cotton cloth.

08 AUTHORISED DISTRIBUTORS

Singapore:

Kim Hin Innovation Labs Private Ltd.
601 Sims Drive, Pan-I Complex, Singapore 387382
Tel: (65) 6831 5020
care.il@kimhinintl.com

Malaysia:

Global Retail Network Sdn Bhd (921399-V)
Wisma Pang Cheng Yean,
Lot 5205C, Jalan Perindustrian Balakong Jaya 1/3,
Taman Perindustrian Balakong Jaya,
43300 Seri Kembangan,
Selangor Darul Ehsan, Malaysia
Tel: (03) 8940 6638
contactus@globalretail.com.my

Hong Kong:

Trade Solutions Ltd.
Unit D, 13A, Gemstar Tower,
No. 23 Man Lok Street, Hung Hom,
Kowloon, Hong Kong
Tel: (852) 2264 1282

Connect with Mums

At the heart of LoveAmme® is a community of mums supporting and helping each other. Be a part of our community at [LoveAmmeOfficial@facebook](https://www.facebook.com/LoveAmmeOfficial) and [loveamme.official@instagram](https://www.instagram.com/loveamme.official), tap into our feeding resources at www.loveamme.com, or simply email us at welcome@loveamme.com to get connected.





loveamme
love in every drop

感谢您选择使用LoveAmme® 产品

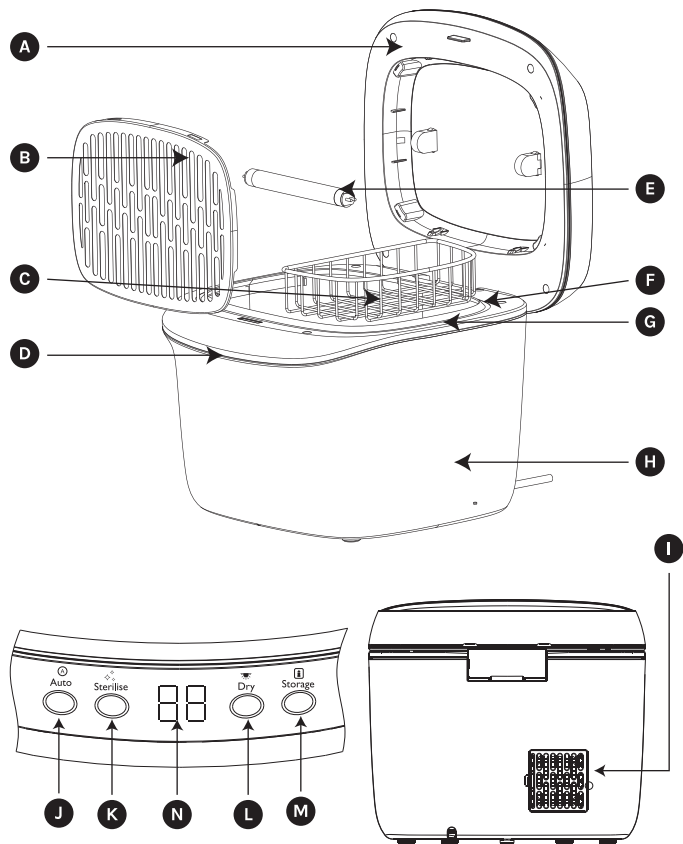
使用本产品之前，请仔细阅读本产品使用者手册，並妥善保管好本使用者手册以便日后参考。
本使用者手册图片仅供参考，产品将持续改进，请以实物为准。

目錄

01 注意事项	9
02 产品介绍	10
03 使用方法	11
04 功能使用和操作	12
05 使用提示	13
06 零件更换方式	14
07 清洁和保养	15
08 授权转销商	15

❗ 01 注意事项

- 1) 打开包装取出产品并核对备件清单
(使用者手册×1, 配件篮×1, 备用的过滤棉网×1)
- 2) 使用前:
 - a) 在将本产品连接电源前，请先检查本产品标示的电压与电源供电电压是否相符。
 - b) 请用干净的半湿布擦拭机器内胆。
 - c) 请在机器内放置几片柠檬片或姜片。除此之外，切勿放置其他物件。
 - d) 按下自动功能键，并重复此操作5次。
 - e) 打开盖子，放置12小时以去除新消毒机的味道。
- 3) 在使用期间，请勿提起或移动本产品。
- 4) 置入婴儿奶瓶或物品高度不可高于17cm。
- 5) 切勿使用其他制造商生产或未经LoveAmme® 批准的附件或部件。如果您使用了此类附件或部件，本产品的保修将会失效。使用此类附件或部件也有可能对产品造成损坏或对消费者造成伤害。
- 6) 本产品不是玩具。切勿将本产品置于儿童可能接触到的地方。切勿任由儿童无人看管，确保不让儿童玩耍或使用产品与附件。为避免窒息风险，请勿让儿童玩耍任何包装塑料袋。
- 7) 为了避免风险，如果紫外线灯管损坏或需要更换，务必使用LoveAmme®指定紫外线灯管，或是前往经销商的LoveAmme®售后服务中心进行检查。
- 8) 如果产品有摔落或者任何损坏，请勿继续使用。请将其送往经销商的LoveAmme®售后服务中心进行检修。
- 9) 本产品仅供家用及室内使用。
- 10) 肢体不健全、知觉或精神上有障碍或缺乏相关经验和知识的人士不得使用本产品，除非有人监督或指导他们使用本产品进行，以确保他们安全使用，并且让他们明白相关的运作方式及危害。
- 11) 本产品仅限于本使用者手册内的说明进行使用。为了避免任何危害或损坏的发生，切勿将本产品用于其他不当或本使用者手册说明以外的用途。此类情况下保修将失效。
- 12) 切勿将本产品内的烘干功能、自动功能或储存功能用于任何电子产品。本产品唯有消毒功能适用于电子产品。



编号	名称
A	显示盖
B	不锈钢反射罩
C	不锈钢配件篮
D	底座盖
E	紫外线灯管
F	密封圈
G	不锈钢内胆

编号	名称
H	消毒器底座
I	进气孔
J	自动功能键
K	消毒功能键
L	烘干功能键
M	储存功能键
N	消毒器数码显示

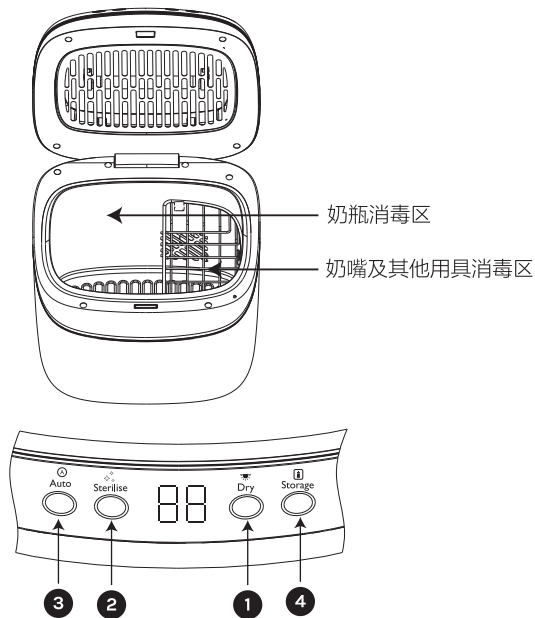
名称	材质	耐热温度	耐冷温度
显示盖	PP	120°C	-20°C
底座盖	PP	120°C	-20°C
密封圈	硅胶	200°C	-20°C
底座	PP	120°C	-20°C

产品参数:

产品名称: LoveClean小型紫外线消毒器
 产品型号: LOV13002
 产品净重: 2.02kg
 产品毛重: 3.10kg
 产品尺寸: 280mm x 280mm x 247mm
 额定电源: 220-240V~, 50/60Hz
 消毒功率: 8W
 烘干功率: 75W
 内胆容量: 7L
 使用环境: 家用/室内使用

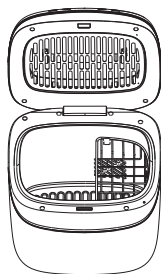
执行标准:

LoveClean小型消毒器经国际协力厂商认证机构的测试, 并被认证已通过IEC/EN 60335标准。本标准为家用及类似用途电器安规标准通用要求。

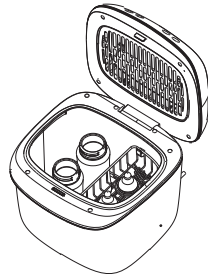


本产品功能介绍:

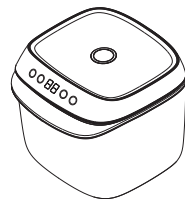
- 1) 烘干功能: 此功能适合只需烘干物件, 不需要消毒的情况下使用。
- 2) 消毒功能: 此功能适合只需消毒物件, 不需要烘干的情况下使用。
- 3) 自动功能: 此功能适合在需要烘干及消毒物件的情况下使用。
- 4) 储存功能: 此功能适合较长期将物件储存在已消毒的环境内。



▲图A



▲图B



▲图C

如何操作:

- 1) 置入的婴儿奶瓶或物品高度不可高于17cm。
- 2) 使用前, 打开显示盖(如图A)。
- 3) 清洗需要烘干或消毒的物件。放置物件之前, 请将该物件或物件上的水尽量甩干, 再将物件置入紫外线消毒器内。将配件篮挂在挂钩上, 再将奶嘴及其他用具置入配件篮中(如图B)。
- 4) 将显示盖合上(如图C)。
- 5) 接通并开启电源后, 机器将发出“滴”一声, 表示消毒器已开机。本产品上并无其他的开关键。数码显示及功能键将会亮起一秒钟后关闭, 表示消毒器已进入待机模式。
- 6) 因细菌易在潮湿状态下滋生, 建议每次使用前先烘干才进行其他功能。
- 7) 选择想进行的功能并按下相对的按键。
- 8) 错选功能的情况下, 再次点击功能键可以取消错选的功能。直接点击对的功能键也可以直接进行功能切换。



04 功能使用和操作

烘干功能

- 此功能只限于烘干物件，并不进行消毒。
- 点击烘干功能键。数码显示及烘干功能键将闪烁3次后持续亮着，显示烘干功能已自动开启。预设烘干时间是30分钟。
- 烘干功能时间分别有3个时段可选择 - 30, 40 或50分钟。在（b）步骤数码显示灯闪烁时，继续点击该功能键即可选择所需的烘干时间。所选时间将会闪烁3次后持续亮着，显示烘干功能已自动开启。
- 当进入烘干功能后，点击烘干功能键，可取消进行中的烘干功能。
- 烘干功能时间倒数将显示在数码显示上。
- 烘干功能结束前1分钟，消毒器自动进入换气。
- 烘干功能结束时，消毒器会发出六次“滴”声响并进入待机模式。
- 注意：烘干功能结束后，消毒器不锈钢内胆会处于温热状态。

消毒功能

- 此功能只限于消毒物件，并无烘干。
- 当您点击消毒功能键后，数码显示键将闪烁3次后持续亮着，显示消毒功能已自动开启。默认消毒时间是10分钟。
- 消毒功能时间分别有3个时段可选择 - 10, 15 或20分钟。在（b）步骤数码显示灯闪烁时，继续点击该功能键即可选择所需的消毒时间。所选时间将会闪烁3次后持续亮着，显示消毒功能已自动开启。
- 当进入消毒功能后，点击消毒功能键，可取消进行中的消毒功能。
- 消毒功能时间倒数将显示在数码显示上。
- 消毒功能结束前1分钟，消毒器自动进入换气。
- 消毒功能结束时，消毒器会发出6次“滴”声响并进入待机模式。

自动功能

- 此功能适合在在需要烘干及消毒物件的情况下使用。
- 点击消毒功能键。数码显示及自动功能键将闪烁3次后持续亮着，显示自动功能已自动开启。默认时间是40分钟。
- 自动功能时间有3个时段可选择：
 - 40分钟：30分钟烘干功能 + 10分钟消毒功能
 - 50分钟：40分钟烘干功能 + 10分钟消毒功能
 - 60分钟：50分钟烘干功能 + 10分钟消毒功能在（b）步骤数码显示灯闪烁时，继续点击该功能键即可选择所需的时间。所选时间将会闪烁三次后持续亮着，显示自动功能已自动开启。
- 当进入自动功能后，点击自动功能键，可取消进行中的自动功能。
- 自动功能时间倒数将显示在数码显示上。
- 自动功能结束前1分钟，消毒器自动进入换气。
- 自动功能结束时，消毒器会发出6次“滴”声响并进入待机模式

储存功能

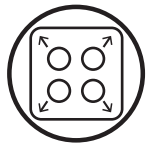
- 此功能可用于在机器内储存已消毒的物件长达24小时。
- 点击储存功能键。数码显示及储存功能键将闪烁3次后持续亮着，显示储存功能已自动开启。每一轮循环包括40分钟烘干功能 + 10分钟的自动功能，机器再进入储存模式。
- 储存功能时间倒数将显示在数码显示上。
- 储存功能结束前1分钟，消毒器自动进入换气。
- 本机器每个两小时将会自动开启长达两分钟的消毒功能，在进入20秒钟的换气。
- 当进入储存功能后，点击储存功能键，可取消进行中的储存功能。
- 储存功能可长达24小时。24小时后，消毒器会发出6次“滴”声响并进入待机模式。为了您的安全，如果显示盖被打开，产品将暂时断电。再次合上显示盖后，功能将自动取消。如果继续运行，请重新选择功能。



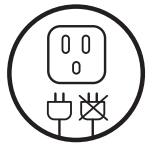
请将奶瓶口向上垂直放入消毒剂内胆。



放置奶瓶前，先将奶瓶内的水尽量甩干。



消毒时，请尽量展开需要杀菌的物品。



请勿与其他高功率电器使用同一个插座。



数码显示上的时间为功能剩余工作时间。



LoveClean 可对玩具、衣服、被单和小型电子产品等物件进行消毒



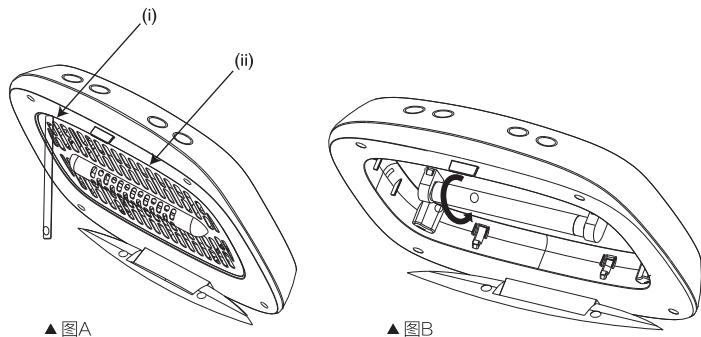
点击当前模式按键启动，待指示灯停止闪烁，重点击当前模式按键即可取消。



请勿对电子产品进行烘干。

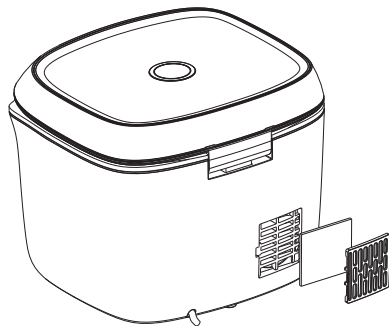


a. 紫外线灯管更换方式:



- 1) **警告!** 请先确保本产品的电源插头已取下。当确保机器已完全冷却后,您才可更换紫外线灯管。
- 2) 使用一字型螺丝刀在 (i) 与 (ii) 两处撬开并取下不锈钢反射罩 (图A)。取下时请务必多加小心以避免被锋利的反射罩缝隙割伤。您可使用布来套住螺丝刀头以避免刮到机器。
- 3) 请放进新的紫外线灯管并向内45° 旋转。接着,把不锈钢反射罩装回去以完成安装 (图B)。
- 4) 将新的紫外线灯管插入并向内45度旋转以完成装置。
- 5) 为了最佳运作与消毒状态,建议每18个月更换一次紫外线灯管。紫外线灯管的寿命可长达6000小时的使用时间。
- 6) 您可以在经销商的LoveAmme®售后服务中心购买紫外线灯管。
- 7) 不锈钢反射罩的边缘稍微锋利,取出及装置不锈钢反射罩的时候请多加注意。

b. 过滤棉网更新方式:



- 1) **警告!** 请确保电源线插头已取下。请确保消毒器已完全冷却,方才更换紫外线灯管。
- 2) 进气孔处于消毒器后方 (请参考以上图片)。过滤棉网处于保护盖底下。轻轻由左向右提起即可打开保护盖。
- 3) 将旧的过滤棉网取出并更换新的。然后把保护盖盖上即可。
- 4) 为了最佳运作与过滤效果,建议每3到6个月更换一次过滤棉网。



07 清洁和保养

⚠ 注意事项:

每次试用后都应该立即清洁产品。
切勿将本产品直接于入水中，切勿向产品直接到水。
切勿在产品内使用漂白水、化学剂或片剂。
切勿使用钢丝绒、研磨性清洁剂或腐蚀性液体（汽油、丙酮或酒精）来清洁本产品。

清洁方式:

- 1) **警告!** 在开始清洁本产品之前，请确保已经切断电源并将插头剥离插座。本产品在使用完过后会有余温，请确保本产品已完全冷却后才开始清洁。
- 2) 打开显示盖并将配件篮取出。
- 3) 用干毛巾或干棉布擦拭产品。

08 授权转销商

新加坡:

Kim Hin Innovation Labs Private Ltd.
601 Sims Drive, Pan-I Complex, Singapore 387382
Tel: (65) 6831 5020
care.il@kimhinintl.com

马来西亚:

Global Retail Network Sdn Bhd (921399-V)
Wisma Pang Cheng Yean, Lot 5205C, Jalan Perindustrian Balakong Jaya 1/3,
Taman Perindustrian Balakong Jaya, 43300 Seri Kembangan,
Selangor Darul Ehsan, Malaysia
Tel: (03) 8940 6638
contactus@globalretail.com.my

香港:

Trade Solutions Ltd.
Unit D, 13A/F, Gemstar Tower, 23 Man Lok Street, Hungghom,
Kowloon, Hong Kong
Tel: (852) 2264 1282

与妈妈们联系

LoveAmme®的核心是由一群互相扶持，互相协助的妈妈们共同建立起的社区。您可以通过LoveAmmeOfficial@facebook 及loveamme.official@instagram 加入成为我们社区的一份子、在 www.loveamme.com 摄取更多有关婴儿辅食的相关资料，或发送电邮至welcome@loveamme.com 与我们联系。

