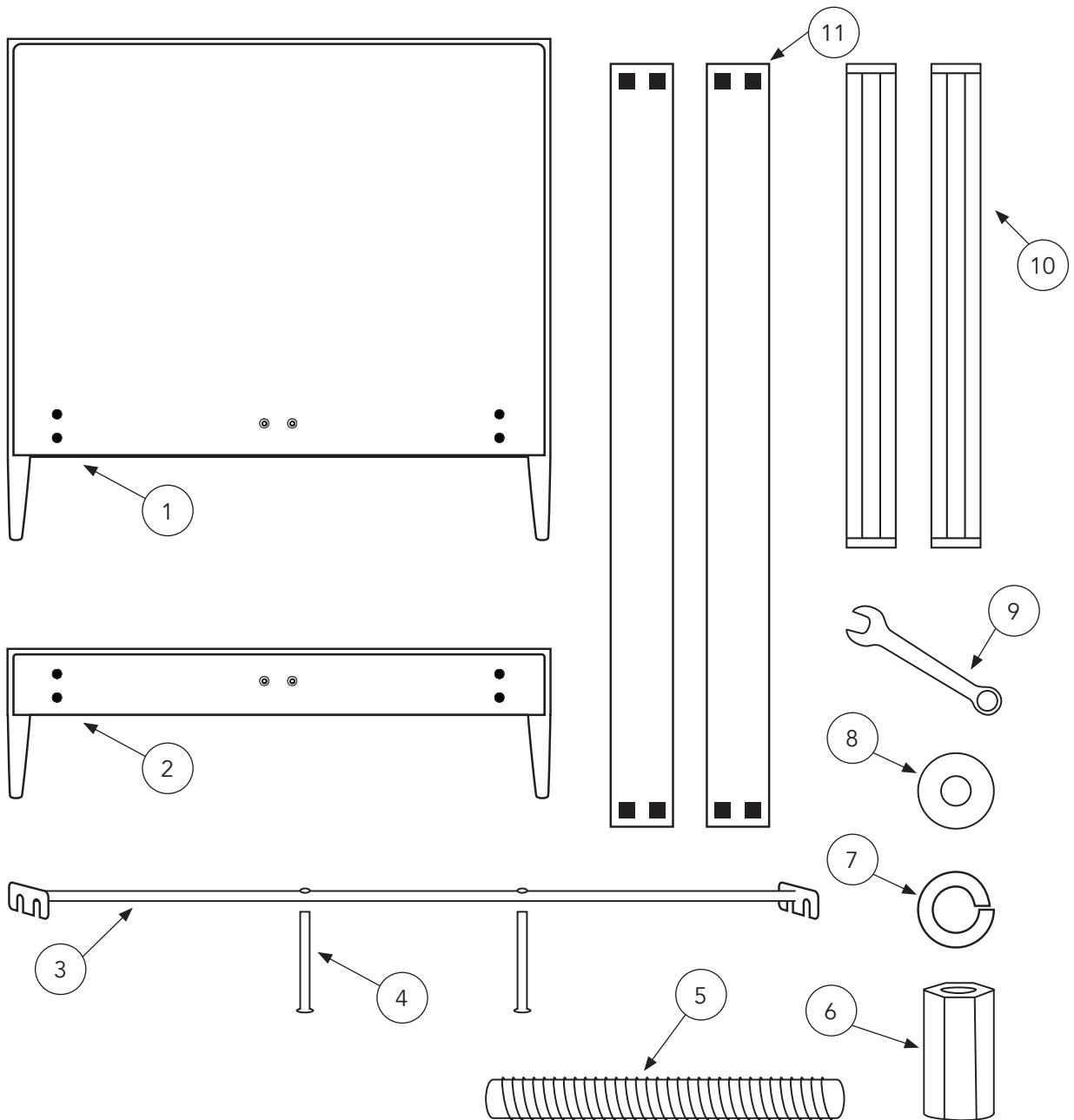




COLEY HOME

WRIGHT BED ASSEMBLY GUIDE

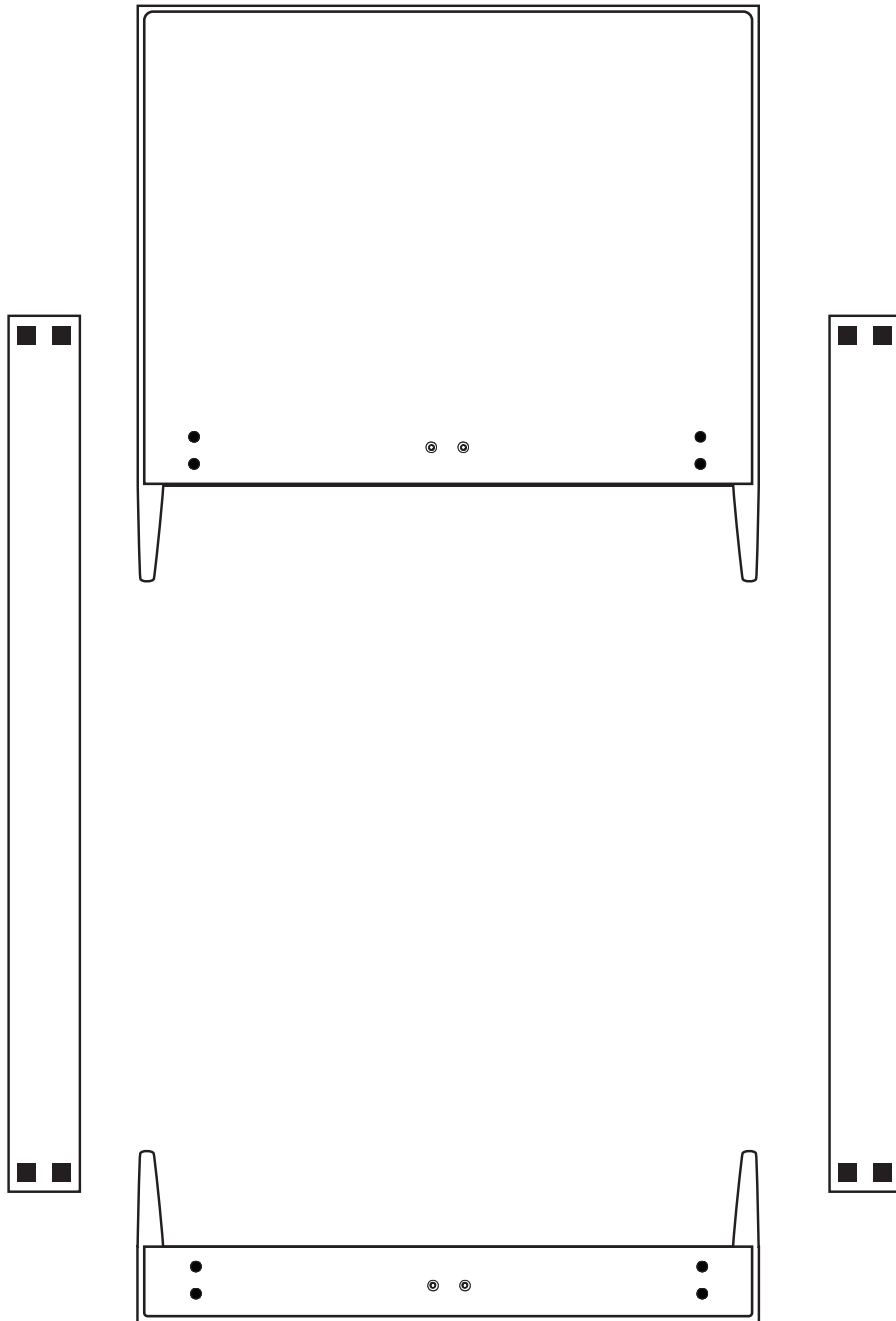




ITEM NUMBER	DESCRIPTION	QUANTITY
1	HEADBOARD	1
2	FOOTBOARD *Height will depend on your order*	1
3	CENTER RAIL	1
4	CENTER RAIL LEGS	2
5	THREADED STUD	8
6	HEX NUT	8
7	LOCK WASHER	8
8	FLAT WASHER	8
9	1/2" WRENCH	1
10	SLATS	2
11	SIDE RAILS	2

STEP ONE:

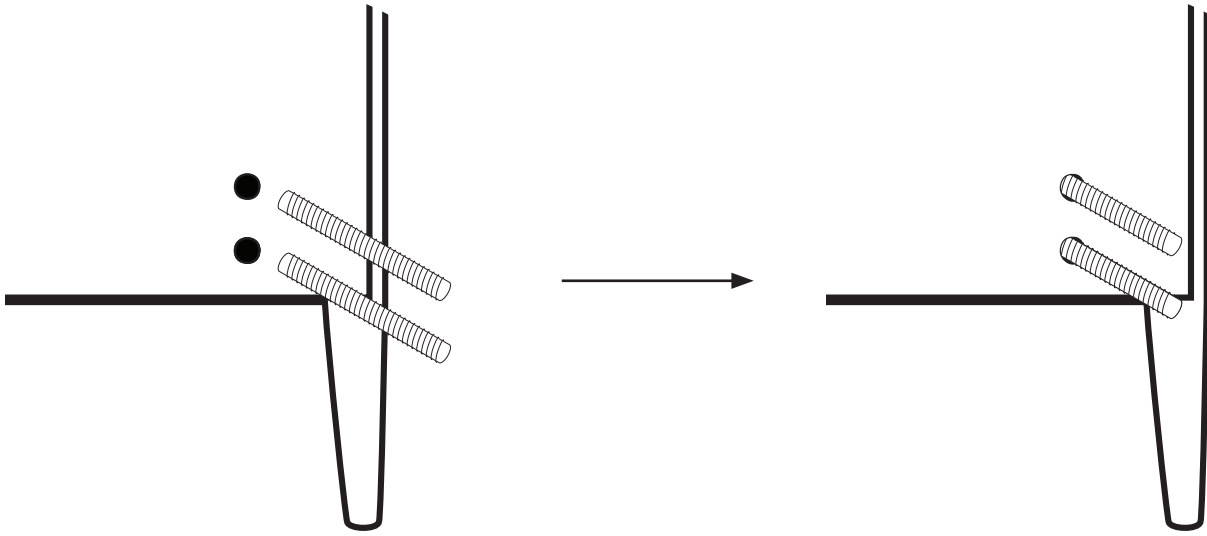
Unpack your new Wright Bed and arrange for assembly!



STEP TWO:

Install two threaded studs onto each side of the headboard and footboard.

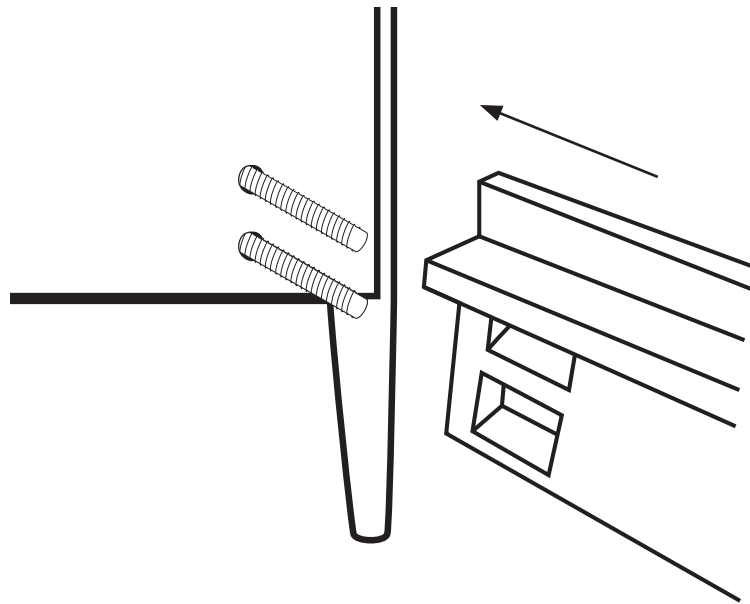
Leave 2 inches of the stud exposed.



STEP THREE

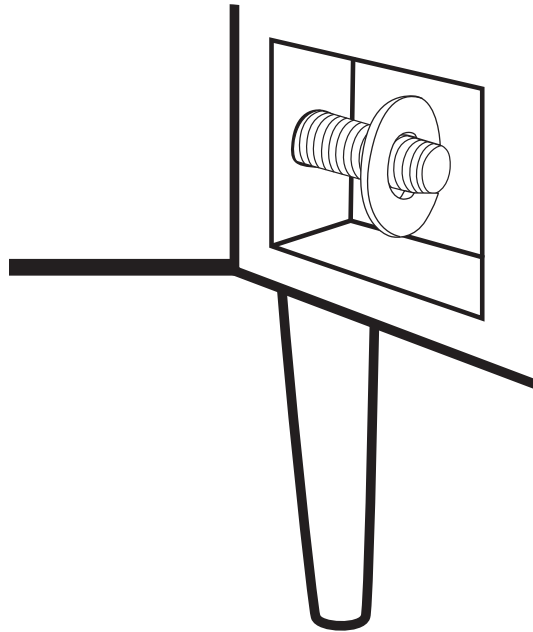
Connect the side rails to the headboard and the footboard

by sliding them over the threaded studs.



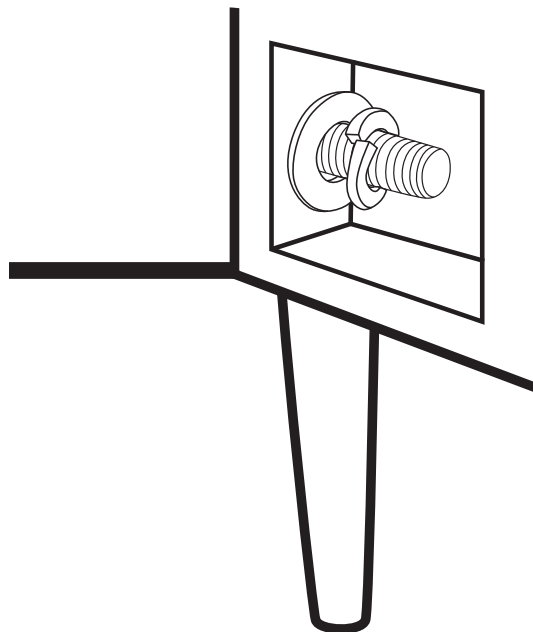
STEP FOUR:

Install the flat washer onto each threaded stud.



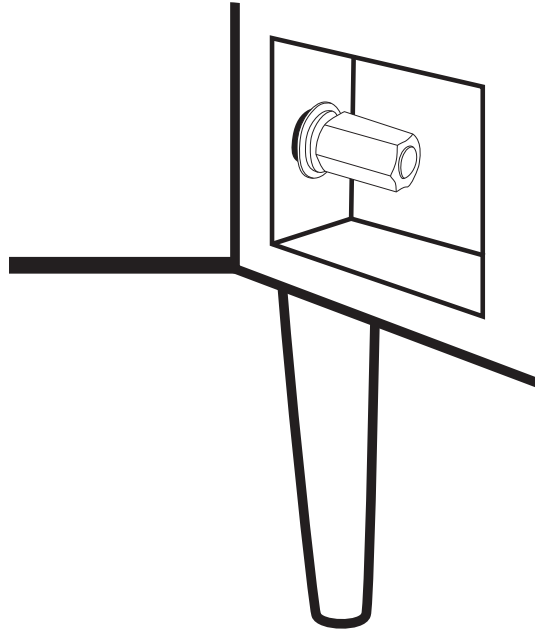
STEP FIVE:

Install the lock washer onto each threaded stud.



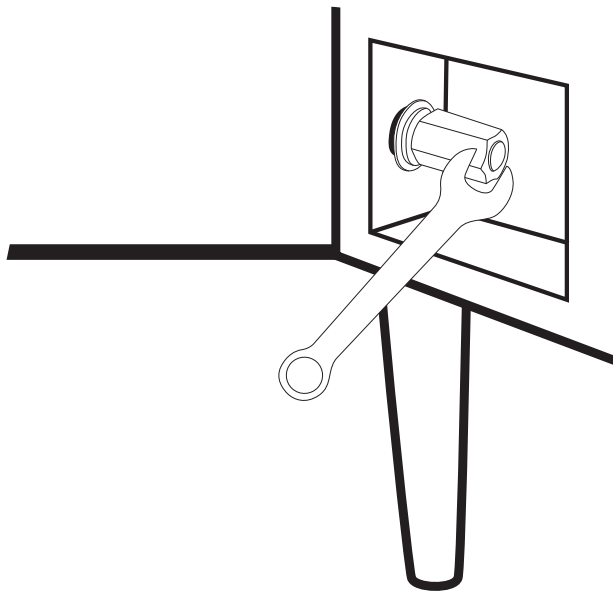
STEP SIX:

Install the hex nut onto each threaded stud.



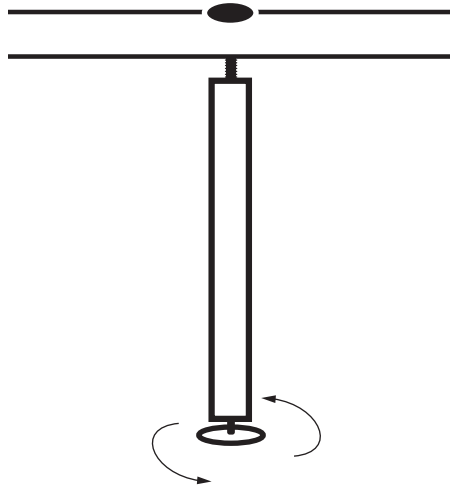
STEP SEVEN:

Use the wrench provided to tighten the bolts



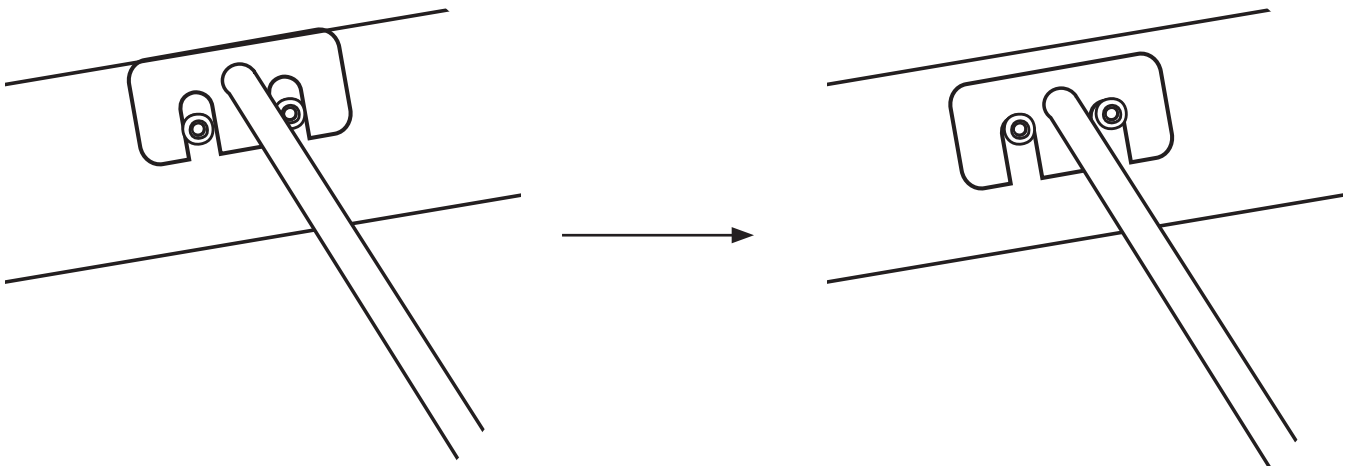
STEP EIGHT:

Insert the center rail legs into the center rail and twist by hand.



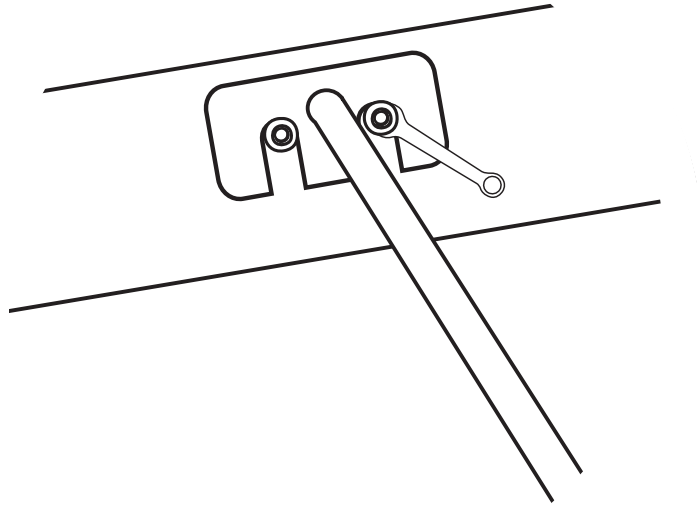
STEP NINE:

Connect the center rail to the headboard and footboard



STEP TEN:

Use the wrench provided to tighten the bolts



STEP ELEVEN:

Place the two sets of slats neatly inside the bed frame, and slide directly against your headboard. Place your mattress on top and enjoy!

