



Subtle and sophisticated, the Marian Sofa is the perfect addition to your home. This piece will be a family favorite with its generous proportions, beautiful lines, and unmatched comfort. Add a contrast welt for a bespoke look. Available in two cushion configurations.

FRAME CONSTRUCTION

WOOD:

Responsibly harvested engineered hardwood with interlocking glued joints that are corner blocked for durability

SPRINGS:

Heavy gauge wire sinuous springs made of 80% recycled metal

POLY:

All of the foam used in our pieces is CertiPUR-US® certified. None of the foam used in our products contain flame retardants. All of our products are TB117-2013 compliant

CUSHION CONTENT

BACK CUSHION:

Our Plush Back Cushions are made of 100% microfiber. This high end fill provides a resilient back which will help your cushions keep their shape over time. Plush fill is also hypoallergenic and environmentally friendly.

SEAT CUSHION:

Seat cushions feature a high-resilient foam core that is wrapped in a fiber-down blend and sewn into a down-proof ticking.

AVAILABLE CUSTOMIZATIONS

2 CUSHION CONFIGURATIONS

CONTRAST WELT

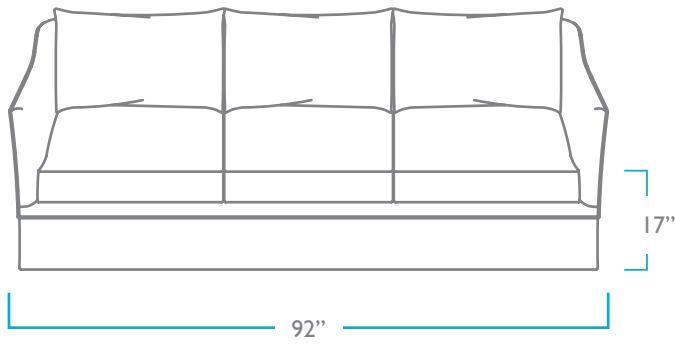
CONTRAST BAND OR TRIM

QUESTIONS?

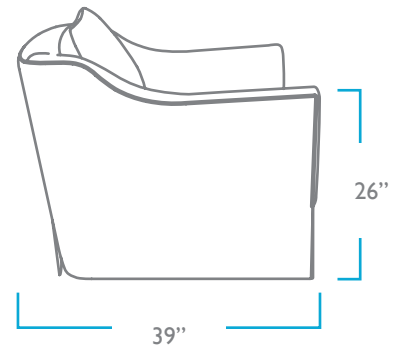
HELLO@COLEYHOME.COM

980.237.9861

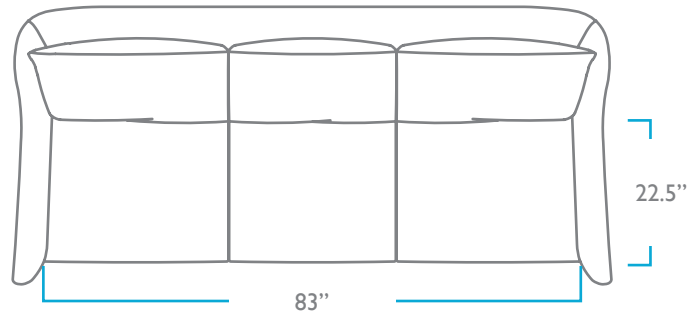
FRONT



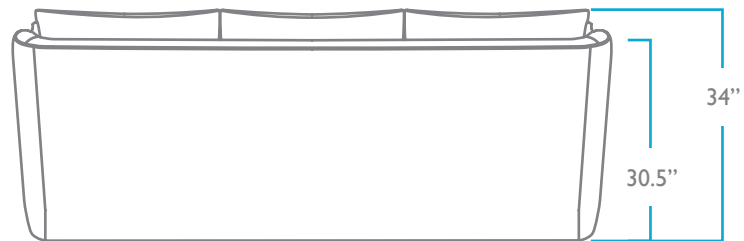
SIDE



TOP



BACK



OVERALL

HEIGHT: 34"
WIDTH: 92"
DEPTH: 39"
ARM HEIGHT: 26"

SEAT

HEIGHT: 17"
DEPTH: 22.5"

PACK WEIGHT

180 LBS