



The pointed back of the Lulu Chair is perfect for those wanting a dining room with a little edge. The Lulu is equipped with castors for easy mobility and slipcover for easy maintenance.

FRAME CONSTRUCTION

WOOD:

Responsibly harvested engineered hardwood with interlocking glued joints that are corner blocked for durability

SPRINGS:

Heavy gauge wire sinuous springs made of 80% recycled metal

POLY:

All of the foam used in our pieces is CertiPUR-US® certified. None of the foam used in our products contain flame retardants. All of our products are TB117-2013 compliant

MOVEMENT:

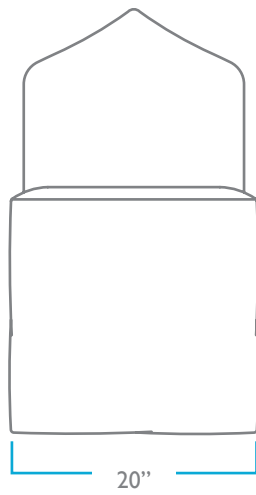
Castors

QUESTIONS?

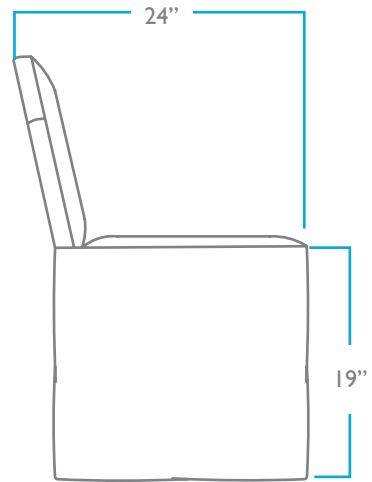
HELLO@COLEYHOME.COM

980.237.9861

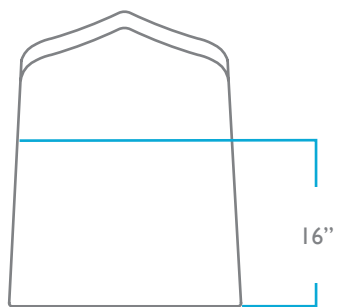
FRONT



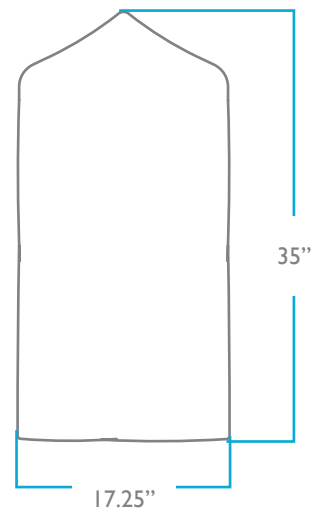
SIDE



TOP



BACK



OVERALL

HEIGHT: 35"

WIDTH: 20"

DEPTH: 24"

SEAT

HEIGHT: 19"

DEPTH: 16"

PACK WEIGHT

30 LBS