



The Loza Chair adds a modern touch to your home. With the ultra-plush barrel shape and curved details, this chair provides whimsical comfort that is sure to make it a crowd favorite. Complete this piece with a contrast welt and contrast pillow.

#### FRAME CONSTRUCTION

##### WOOD:

Responsibly harvested engineered hardwood with interlocking glued joints that are corner blocked for durability

##### SPRINGS:

Heavy gauge wire sinuous springs made of 80% recycled metal

##### POLY:

All of the foam used in our pieces is CertiPUR-US® certified. None of the foam used in our products contain flame retardants. All of our products are TB117-2013 compliant

#### CUSHION CONTENT

##### BACK CUSHION:

Our Plush Back Cushions are made of 100% microfiber. This high end fill provides a resilient back which will help your cushions keep their shape over time. Plush fill is also hypoallergenic and environmentally friendly.

##### SEAT CUSHION:

Seat cushions feature a high-resilient foam core that is wrapped in a fiber-down blend and sewn into a down-proof ticking.

#### AVAILABLE CUSTOMIZATIONS

CONTRAST PILLOW

CONTRAST WELT

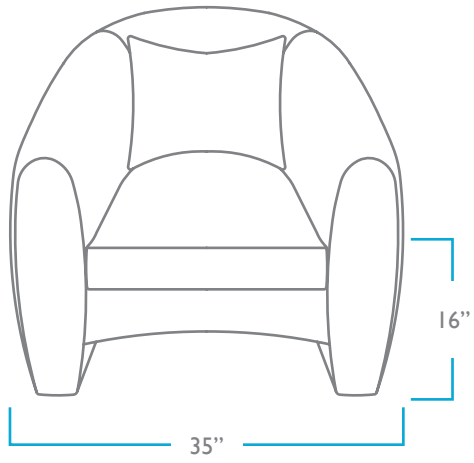
---

#### QUESTIONS?

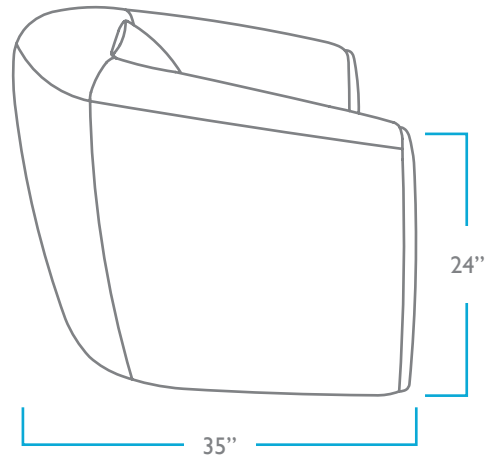
HELLO@COLEYHOME.COM

980.237.9861

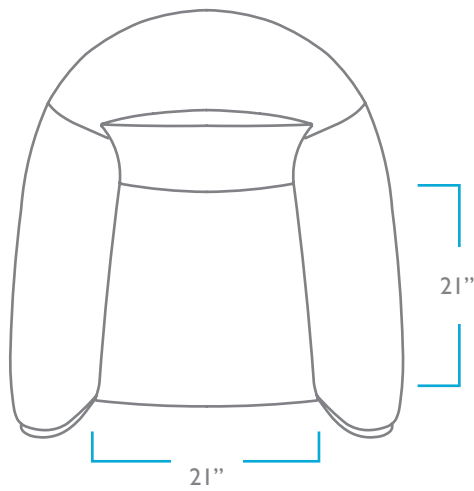
FRONT



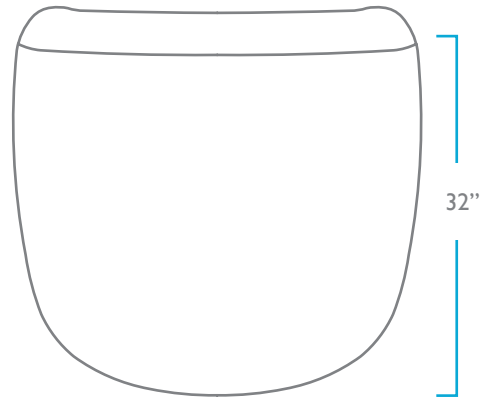
SIDE



TOP



BACK



**OVERALL**

HEIGHT: 32"  
WIDTH: 35"  
DEPTH: 35"  
ARM HEIGHT: 24"

**SEAT**

HEIGHT: 16"  
DEPTH: 21"

**PACK WEIGHT**

80 LBS