



The timeless structure of the Logan Sofa will make it a staple in your home for years to come. Featuring stately oak legs, a slender track arm, and a three cushion set up, this sofa fits neatly into any room. Available slipcovered for easy maintenance or upholstered for a more classic look.

FRAME CONSTRUCTION

WOOD:

Responsibly harvested engineered hardwood with interlocking glued joints that are corner blocked for durability

SPRINGS:

Heavy gauge wire sinuous springs made of 80% recycled metal

POLY:

All of the foam used in our pieces is CertiPUR-US® certified. None of the foam used in our products contain flame retardants. All of our products are TB117-2013 compliant

CUSHION CONTENT

BACK CUSHION:

Our Plush Back Cushions are made of 100% microfiber. This high end fill provides a resilient back which will help your cushions keep their shape over time. Plush fill is also hypoallergenic and environmentally friendly.

SEAT CUSHION:

Seat cushions feature a high-resilient foam core that is wrapped in a fiber-down blend and sewn into a down-proof ticking.

AVAILABLE CUSTOMIZATIONS

SLIPCOVERED
OR UPHOLSTERED

WOOD FINISHES



WALNUT



WEATHERED OAK



SIMPLY WHITE



NATURAL



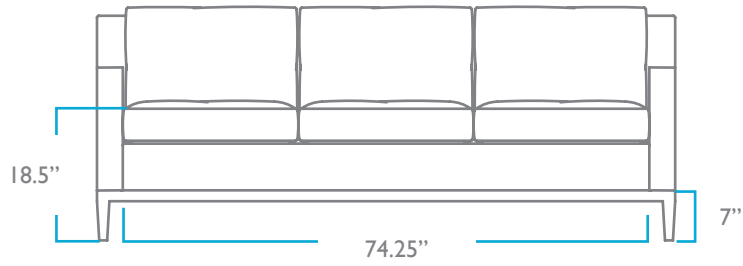
DUNE

QUESTIONS?

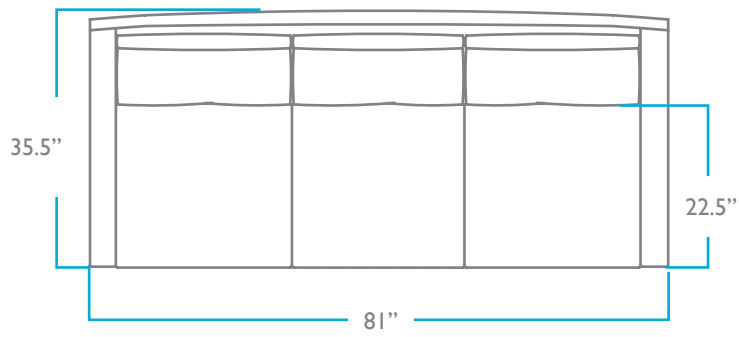
HELLO@COLEYHOME.COM

980.237.9861

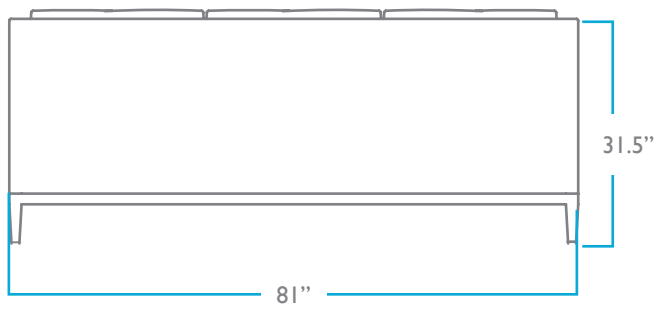
FRONT



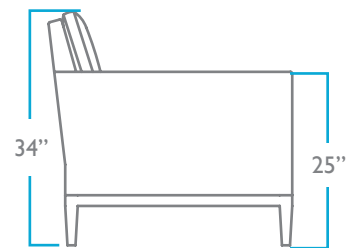
TOP



BACK



SIDE



OVERALL
HEIGHT: 33"
WIDTH: 20"
DEPTH: 31.5"

SEAT
HEIGHT: 17.5"
DEPTH: 17.5"

PACK WEIGHT
70 LBS