



This low-profile club chair is perfect for a chic lounge. With plush cushions, the Hastings will be a comfortable spot for cocktails and conversations. For a custom look, add a contrast welt and contrast cushions.

FRAME CONSTRUCTION

WOOD:

Responsibly harvested engineered hardwood with interlocking glued joints that are corner blocked for durability

SPRINGS:

Heavy gauge wire sinuous springs made of 80% recycled metal

POLY:

All of the foam used in our pieces is CertiPUR-US® certified. None of the foam used in our products contain flame retardants. All of our products are TB117-2013 compliant

CUSHION CONTENT

BACK CUSHION:

Our Plush Back Cushions are made of 100% microfiber. This high end fill provides a resilient back which will help your cushions keep their shape over time. Plush fill is also hypoallergenic and environmentally friendly.

SEAT CUSHION:

Seat cushions feature a high-resilient foam core that is wrapped in a fiber-down blend and sewn into a down-proof ticking.

AVAILABLE CUSTOMIZATIONS

CONTRAST CUSHIONS

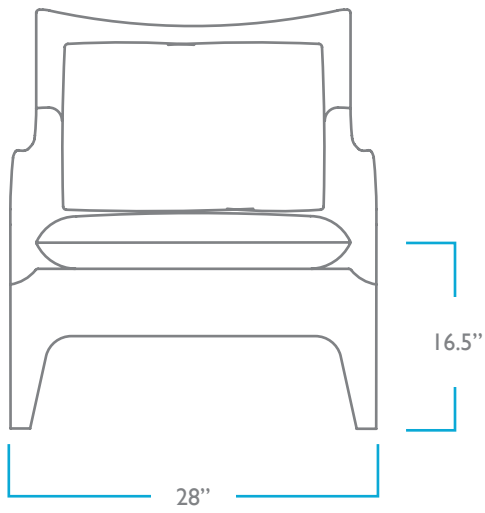
CONTRAST WELT

QUESTIONS?

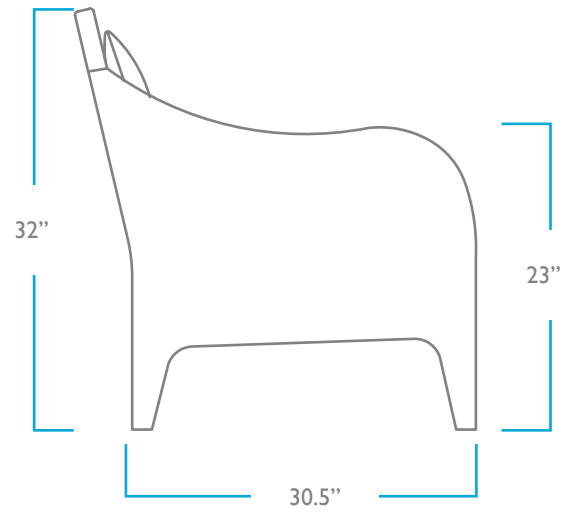
HELLO@COLEYHOME.COM

980.237.9861

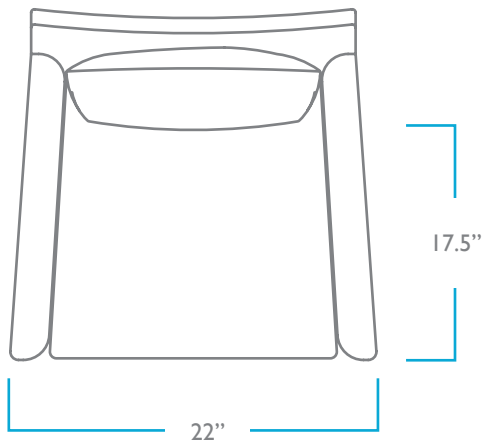
FRONT



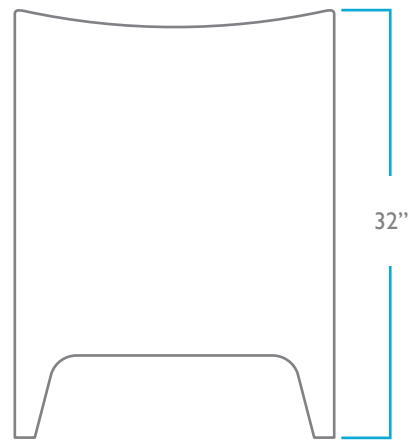
SIDE



TOP



BACK



OVERALL

HEIGHT: 32"
WIDTH: 28"
DEPTH: 30.5"
ARM HEIGHT: 23"

SEAT

HEIGHT: 16.5"
DEPTH: 17.5"

PACK WEIGHT

60 LBS