



The Eloise Settee is a perfectly petite loveseat and features an elegantly curved silhouette. Add a contrast welt to accentuate the soft curved back, and choose from 3 hand-stained oak wooden leg finishes.

FRAME CONSTRUCTION

WOOD:

Responsibly harvested engineered hardwood with interlocking glued joints that are corner blocked for durability

SPRINGS:

Supportive, durable elastic webbed base

POLY:

All of the foam used in our pieces is CertiPUR-US® certified. None of the foam used in our products contain flame retardants. All of our products are TBI 17-2013 compliant

AVAILABLE CUSTOMIZATIONS

CONTRAST WELT

WOOD FINISHES



WALNUT



WEATHERED OAK



SIMPLY WHITE



NATURAL



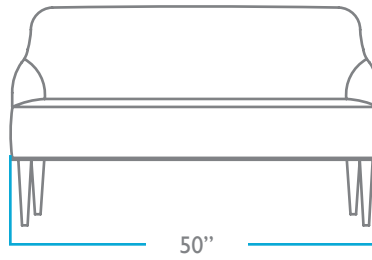
DUNE

QUESTIONS?

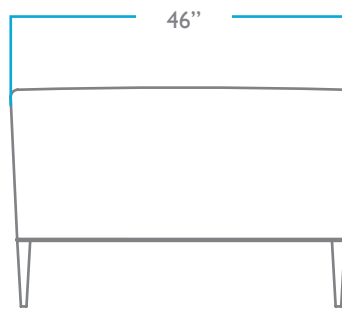
HELLO@COLEYHOME.COM

980.237.9861

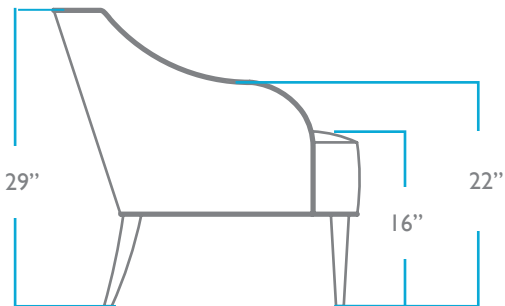
FRONT



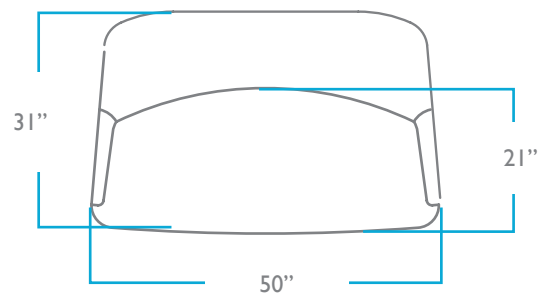
BACK



SIDE



TOP



OVERALL

HEIGHT: 29"
WIDTH: 50"
DEPTH: 31"
ARM HEIGHT: 22"

SEAT

HEIGHT: 16"
DEPTH: 21"

PACK WEIGHT

70 LBS