



Available slipcovered or upholstered, the Ellington Chaise is the perfect place to kick up your feet and relax. The plush cushions are elegantly accentuated by a beautiful rounded back and stately arm detail. Place it in the corner of a primary bedroom for a cozy spot to sip your morning coffee, or in a living room next to a window for a cozy reading lounge.

**FRAME CONSTRUCTION**

**WOOD:**

Responsibly harvested engineered hardwood with interlocking glued joints that are corner blocked for durability

**SPRINGS:**

Heavy gauge wire sinuous springs made of 80% recycled metal

**POLY:**

All of the foam used in our pieces is CertiPUR-US® certified. None of the foam used in our products contain flame retardants. All of our products are TB117-2013 compliant

**CUSHION CONTENT**

**BACK CUSHION:**

Our Plush Back Cushions are made of 100% microfiber. This high end fill provides a resilient back which will help your cushions keep their shape over time. Plush fill is also hypoallergenic and environmentally friendly.

**SEAT CUSHION:**

Seat cushions feature a high-resilient foam core that is wrapped in a fiber-down blend and sewn into a down-proof ticking.

**AVAILABLE CUSTOMIZATIONS**

SLIPCOVERED

OR UPHOLSTERED

**WOOD FINISHES**



WALNUT



WEATHERED OAK



SIMPLY WHITE



NATURAL



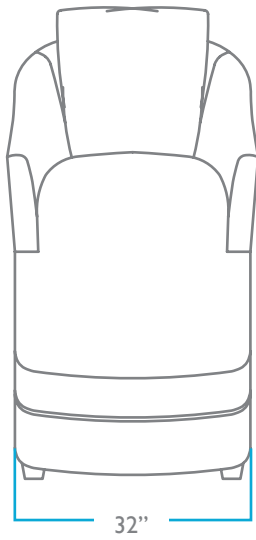
DUNE

**QUESTIONS?**

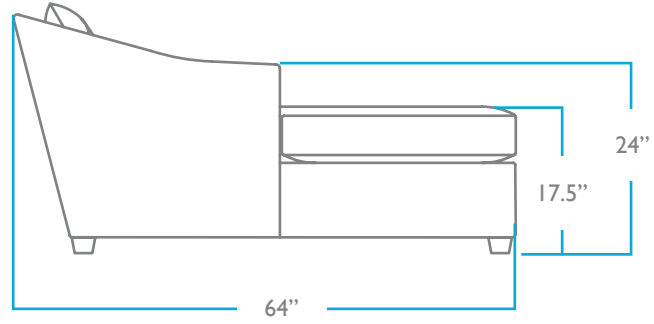
HELLO@COLEYHOME.COM

980.237.9861

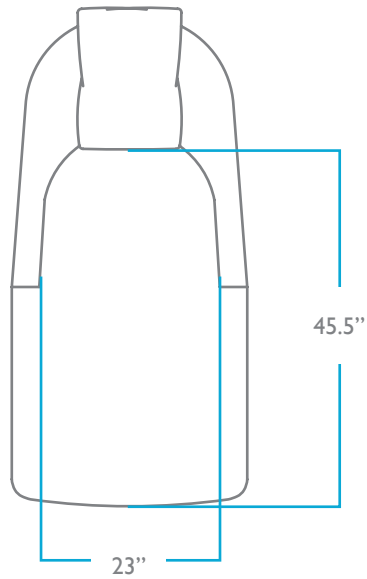
FRONT



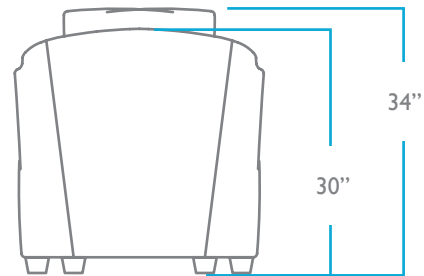
SIDE



TOP



BACK



**OVERALL**

HEIGHT: 34"  
WIDTH: 32"  
DEPTH: 64"  
ARM HEIGHT: 24"

**SEAT**

HEIGHT: 17.5"  
DEPTH: 45.5"

**PACK WEIGHT**

100 LBS