



What big kid bedroom dreams are made of! Our daybed is a playful addition to a nursery, bedroom, or playroom. Add a contrast welt for a cheerful pop of color:

**FRAME CONSTRUCTION**

**WOOD:**

Responsibly harvested engineered hardwood with interlocking glued joints that are corner blocked for durability

**SPRINGS:**

Heavy gauge wire sinuous springs made of 80% recycled metal

**POLY:**

All of the foam used in our pieces is CertiPUR-US® certified. None of the foam used in our products contain flame retardants. All of our products are TB117-2013 compliant

**CUSHION CONTENT**

**SEAT CUSHION:**

Seat cushions feature a high-resilient foam core that is wrapped in fiber and sewn into a down-proof ticking.

**AVAILABLE CUSTOMIZATIONS**

WITH OR WITHOUT CUSHION

CONTRAST WELT

**WOOD FINISHES**



WALNUT



WEATHERED OAK



SIMPLY WHITE



NATURAL



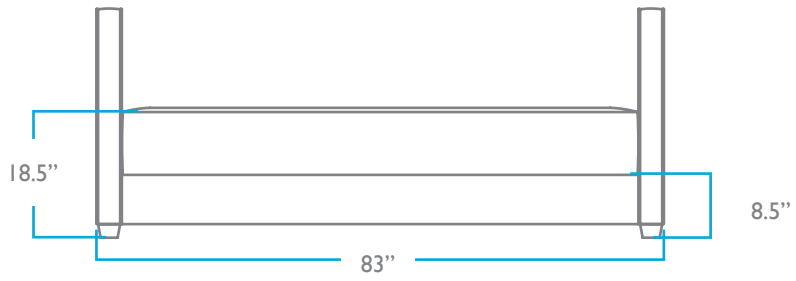
DUNE

**QUESTIONS?**

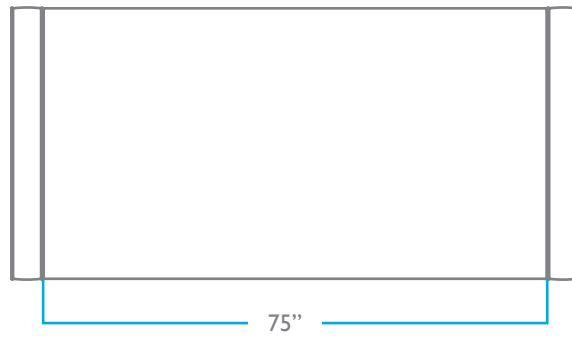
HELLO@COLEYHOME.COM

980.237.9861

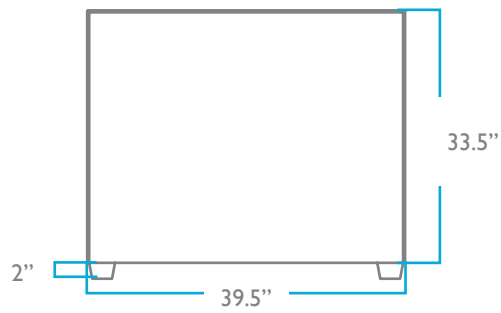
### FRONT



### TOP



### SIDE



#### OVERALL

HEIGHT: 33.5"

WIDTH: 83"

DEPTH: 39.5"

#### SEAT

HEIGHT: 18.5"

#### PACK WEIGHT

137 LBS