



Add a dose of elegance to your kitchen counter with the Camden Counter Stool. The gentle curved and comfortable arms are highlighted with beautiful welt detail, offering opportunities for customization. The classic oak base is available in five different finishes and features a substantial footrest, maximizing comfort.

FRAME CONSTRUCTION

WOOD:

Responsibly harvested engineered hardwood with interlocking glued joints that are corner blocked for durability

SPRINGS:

Supportive, durable elastic webbed base

POLY:

All of the foam used in our pieces is CertiPUR-US® certified. None of the foam used in our products contain flame retardants. All of our products are TBI 17-2013 compliant

AVAILABLE CUSTOMIZATIONS

CONTRAST WELT

WOOD FINISHES



WALNUT



WEATHERED OAK



SIMPLY WHITE



NATURAL



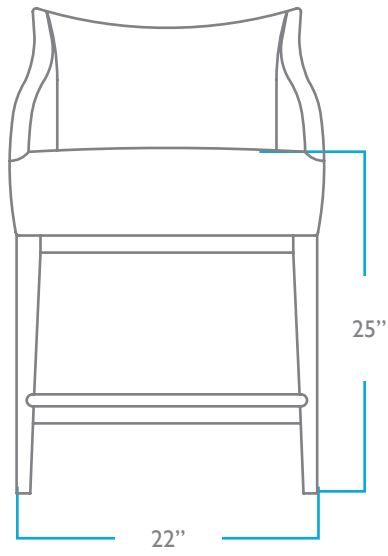
DUNE

QUESTIONS?

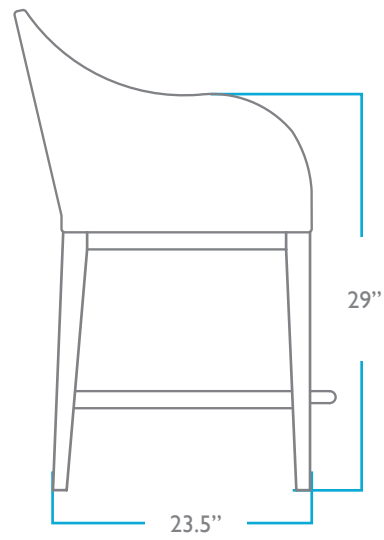
HELLO@COLEYHOME.COM

980.237.9861

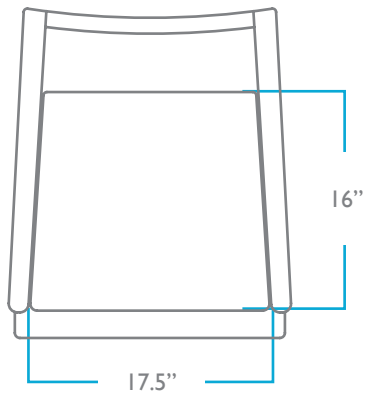
FRONT



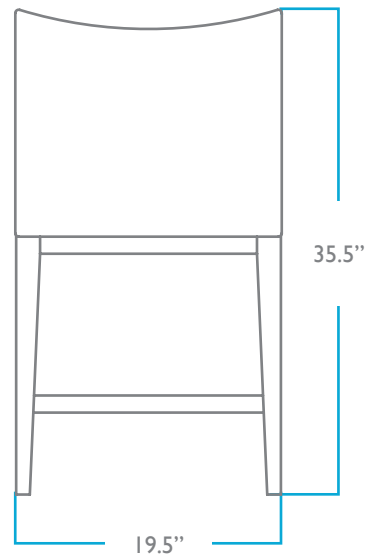
SIDE



TOP



BACK



OVERALL

HEIGHT: 35.5"

WIDTH: 22"

DEPTH: 23.5"

ARM HEIGHT: 29"

SEAT

HEIGHT: 25"

DEPTH: 16"

PACK WEIGHT

35 LBS