



DESIGN BY
MOLLY PORTNOF

The Cab Corner Sectional is the perfect cross between comfort and style. The chic track arm combined with the modern silhouette make this piece an instant showstopper in your home.

FRAME CONSTRUCTION

WOOD:

Responsibly harvested engineered hardwood with interlocking glued joints that are corner blocked for durability

SPRINGS:

Heavy gauge wire sinuous springs made of 80% recycled metal

POLY:

All of the foam used in our pieces is CertiPUR-US® certified. None of the foam used in our products contain flame retardants. All of our products are TB117-2013 compliant

CUSHION CONTENT

BACK CUSHION:

Our Plush Back Cushions are made of 100% microfiber. This high end fill provides a resilient back which will help your cushions keep their shape over time. Plush fill is also hypoallergenic and environmentally friendly.

SEAT CUSHION:

Seat cushions feature a high-resilient foam core that is wrapped in a fiber-down blend and sewn into a down-proof ticking.

AVAILABLE CUSTOMIZATIONS

SLIPCOVERED

OR UPHOLSTERED

WOOD FINISHES



WALNUT



WEATHERED
OAK



SIMPLY
WHITE



NATURAL

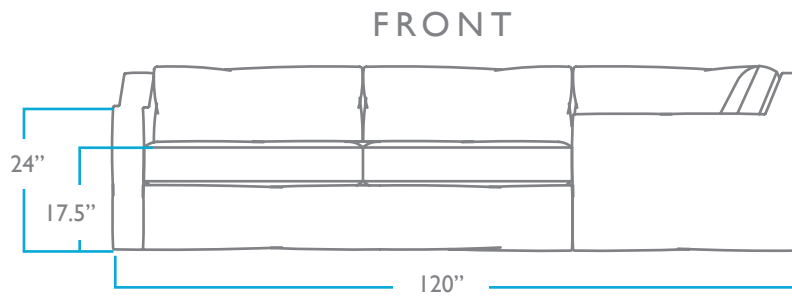
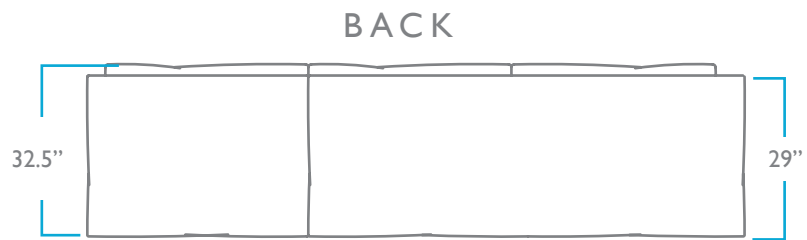
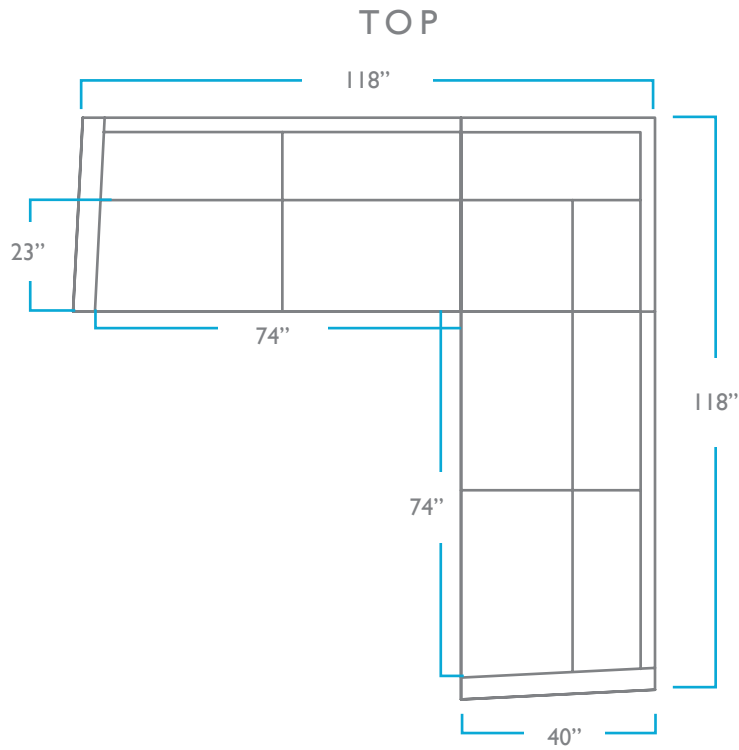


DUNE

QUESTIONS?

HELLO@COLEYHOME.COM

980.237.9861



OVERALL

HEIGHT: 32.5"
 WIDTH: 118"
 LENGTH: 118"
 DEPTH: 40"

SEAT

HEIGHT: 17.5"
 DEPTH: 23"

PACK WEIGHT

395 LBS