

This wide track armed chair will be the ultimate cozy destination in your household. The depth paired with the slight curve of the back creates the perfect low-profile, yet high-style lounge chair.

FRAME CONSTRUCTION

WOOD:

Responsibly harvested engineered hardwood with interlocking glued joints that are corner blocked for durability

SPRINGS:

Heavy gauge wire sinuous springs made of 80% recycled metal

POLY:

All of the foam used in our pieces is CertiPUR-US® certified. None of the foam used in our products contain flame retardants. All of our products are TB117-2013 compliant

CUSHION CONTENT

BACK CUSHION:

Our Plush Back Cushions are made of 100% microfiber. This high end fill provides a resilient back which will help your cushions keep their shape over time. Plush fill is also hypoallergenic and environmentally friendly.

SEAT CUSHION:

Seat cushions feature a high-resilient foam core that is wrapped in a fiber-down blend and sewn into a down-proof ticking.

AVAILABLE CUSTOMIZATIONS

SLIPCOVERED

OR UPHOLSTERED

WOOD FINISHES



WALNUT



WEATHERED OAK



SIMPLY WHITE



NATURAL



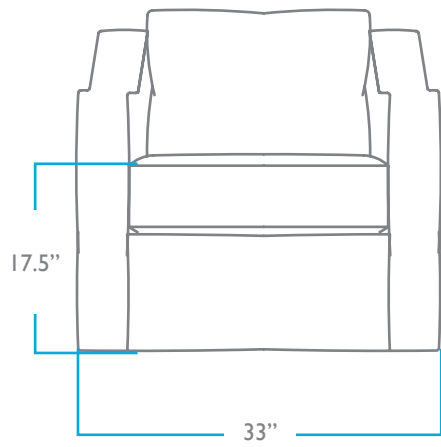
DUNE

QUESTIONS?

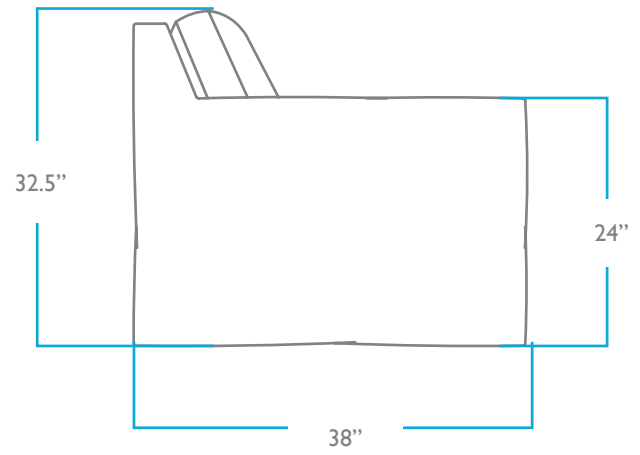
HELLO@COLEYHOME.COM

980.237.9861

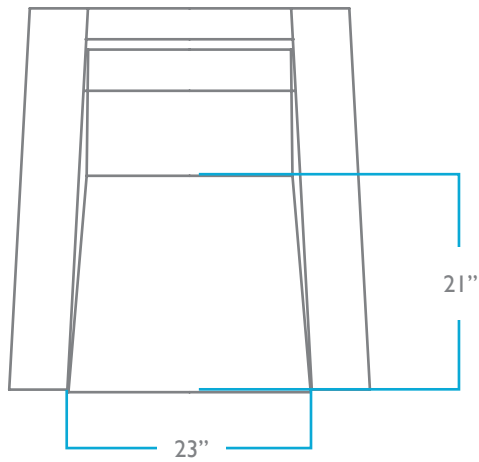
FRONT



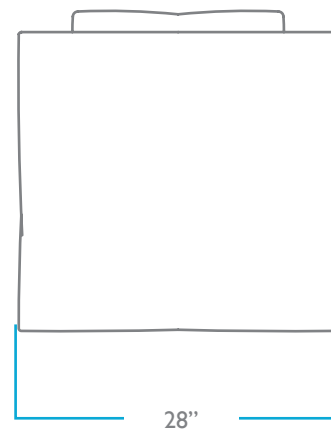
SIDE



TOP



BACK



OVERALL

HEIGHT: 32.5"

WIDTH: 33"

DEPTH: 38"

ARM HEIGHT: 24"

SEAT

HEIGHT: 17.5"

DEPTH: 21"

PACK WEIGHT

85 LBS