



An updated sectional perfect for the entertainer, a family, or anyone needing a little more seating. We created a piece that could be equally as sleek as comfortable. With a beautiful saber arm and soft cushions, this will be your new spot. Kick up your feet!

**FRAME CONSTRUCTION**

**WOOD:**

Responsibly harvested engineered hardwood with interlocking glued joints that are corner blocked for durability

**SPRINGS:**

Heavy gauge wire sinuous springs made of 80% recycled metal

**POLY:**

All of the foam used in our pieces is CertiPUR-US® certified. None of the foam used in our products contain flame retardants. All of our products are TB117-2013 compliant

**CUSHION CONTENT**

**BACK CUSHION:**

Our Plush Back Cushions are made of 100% microfiber. This high end fill provides a resilient back which will help your cushions keep their shape over time. Plush fill is also hypoallergenic and environmentally friendly.

**SEAT CUSHION:**

Seat cushions feature a high-resilient foam core that is wrapped in a fiber-down blend and sewn into a down-proof ticking.

**AVAILABLE CUSTOMIZATIONS**

SLIPCOVERED

OR UPHOLSTERED

**WOOD FINISHES**



WALNUT



WEATHERED  
OAK



SIMPLY  
WHITE



NATURAL



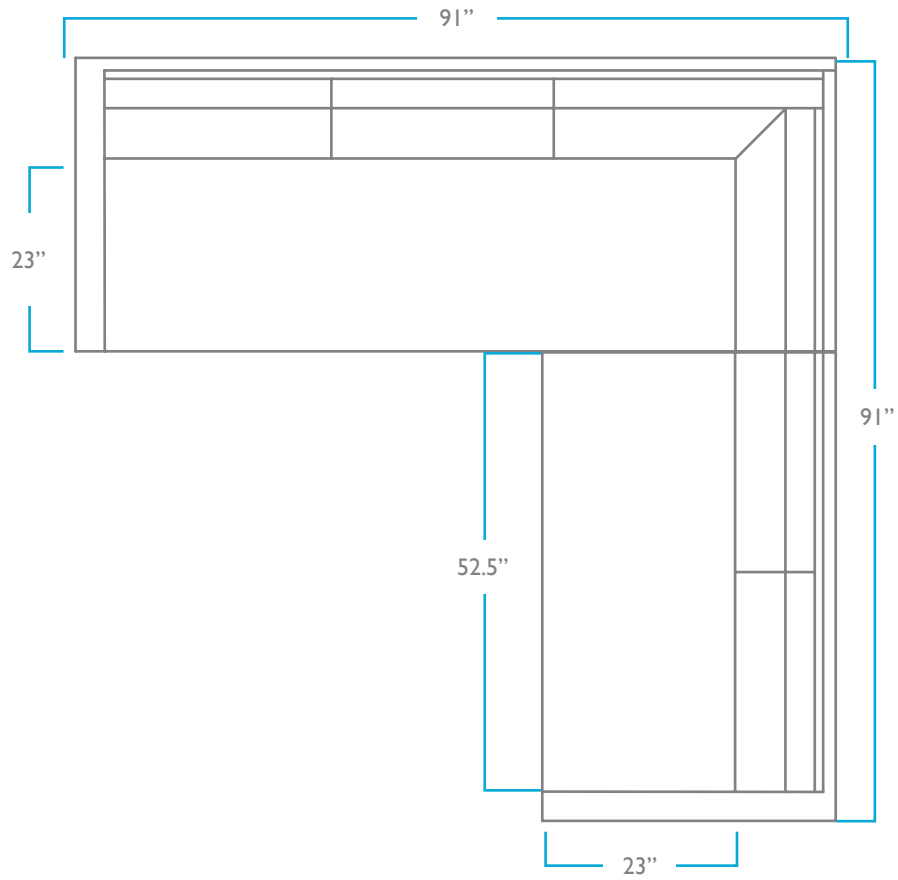
DUNE

**QUESTIONS?**

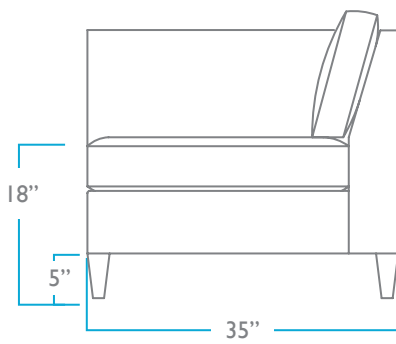
HELLO@COLEYHOME.COM

980.237.9861

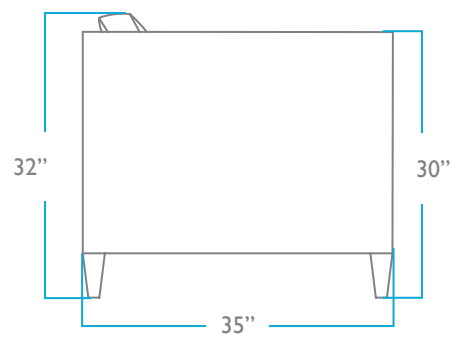
## TOP



## SIDE



## SIDE



### OVERALL

HEIGHT: 32"  
WIDTH: 91"  
LENGTH: 91"  
DEPTH: 35"

### SEAT

HEIGHT: 18"  
DEPTH: 23"

### PACK WEIGHT

270 LBS