



DESIGN BY
HANNAH OZBURN

Featuring clean lines and shelter arms with a saber detail, the Bradley Box Chair is a staple for the living room or den. Grab a pair for a sophisticated, contemporary look. Available slipcovered or upholstered.

FRAME CONSTRUCTION

WOOD:

Responsibly harvested engineered hardwood with interlocking glued joints that are corner blocked for durability

SPRINGS:

Heavy gauge wire sinuous springs made of 80% recycled metal

POLY:

All of the foam used in our pieces is CertiPUR-US® certified. None of the foam used in our products contain flame retardants. All of our products are TB117-2013 compliant

CUSHION CONTENT

BACK CUSHION:

Our Plush Back Cushions are made of 100% microfiber. This high end fill provides a resilient back which will help your cushions keep their shape over time. Plush fill is also hypoallergenic and environmentally friendly.

SEAT CUSHION:

Seat cushions feature a high-resilient foam core that is wrapped in a fiber-down blend and sewn into a down-proof ticking.

AVAILABLE CUSTOMIZATIONS

SLIPCOVERED
OR UPHOLSTERED

WOOD FINISHES



WALNUT



WEATHERED
OAK



SIMPLY
WHITE



NATURAL



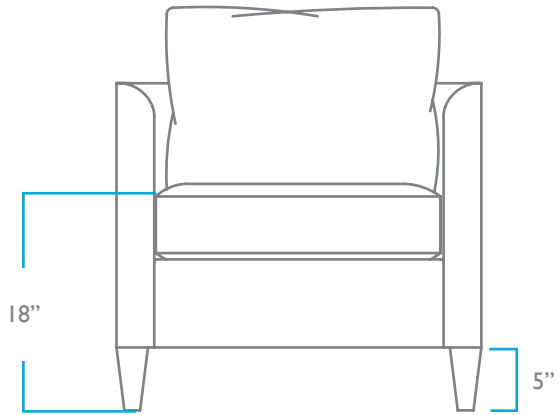
DUNE

QUESTIONS?

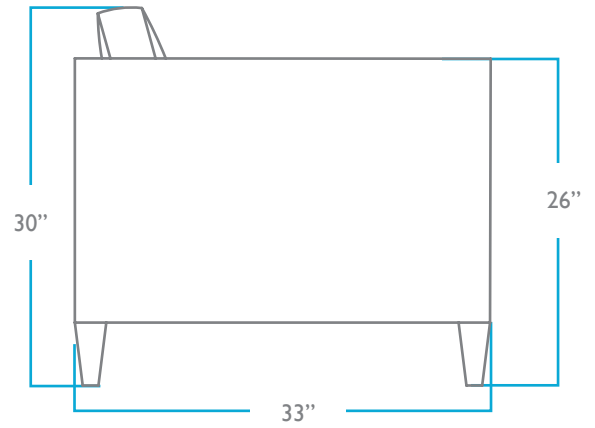
HELLO@COLEYHOME.COM

980.237.9861

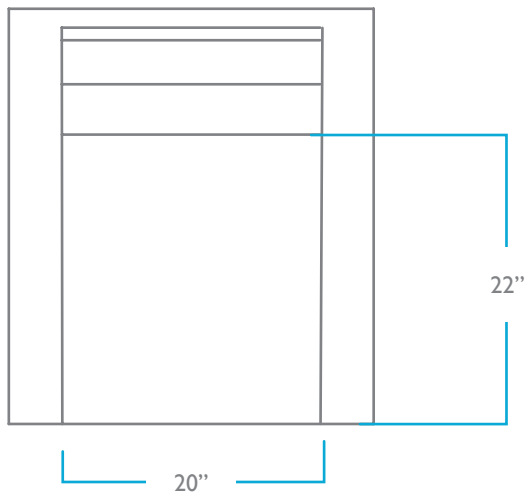
FRONT



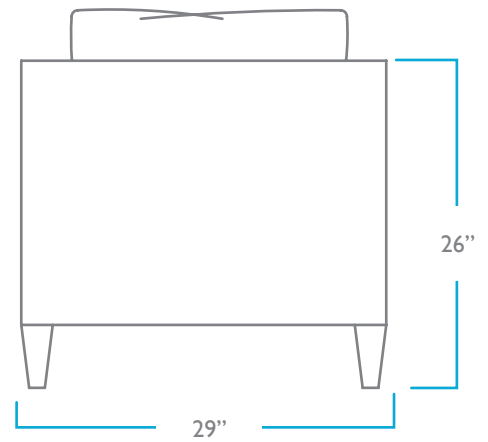
SIDE



TOP



BACK



OVERALL

HEIGHT: 30"

WIDTH: 29"

DEPTH: 33"

SEAT

HEIGHT: 18"

DEPTH: 22"

PACK WEIGHT

85 LBS