



Available in two sizes, the Birdie Ottoman is a comfortable accent piece that beautifully pulls any room together. Further customize the Birdie Ottoman by accenting the top with a contrasting color or texture.

FRAME CONSTRUCTION

WOOD:

Responsibly harvested engineered hardwood with interlocking glued joints that are corner blocked for durability

SPRINGS:

Supportive, durable elastic webbed base

POLY:

All of the foam used in our pieces is CertiPUR-US® certified. None of the foam used in our products contain flame retardants. All of our products are TBI 17-2013 compliant

AVAILABLE CUSTOMIZATIONS

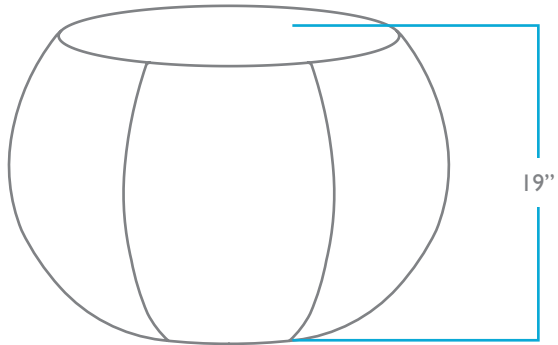
CONTRAST TOP

QUESTIONS?

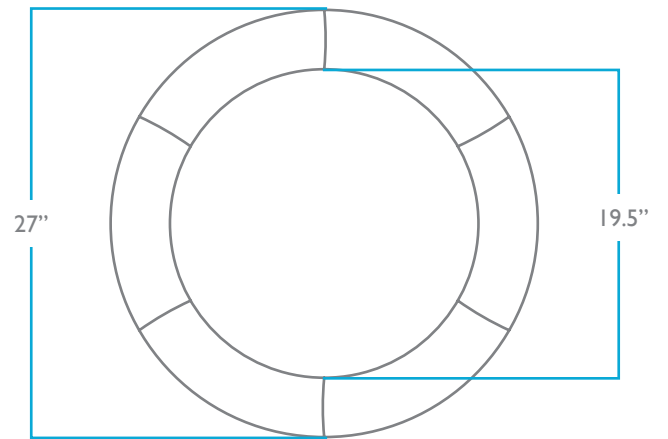
HELLO@COLEYHOME.COM

980.237.9861

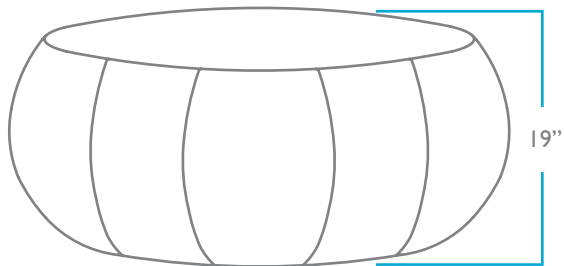
SMALL - SIDE



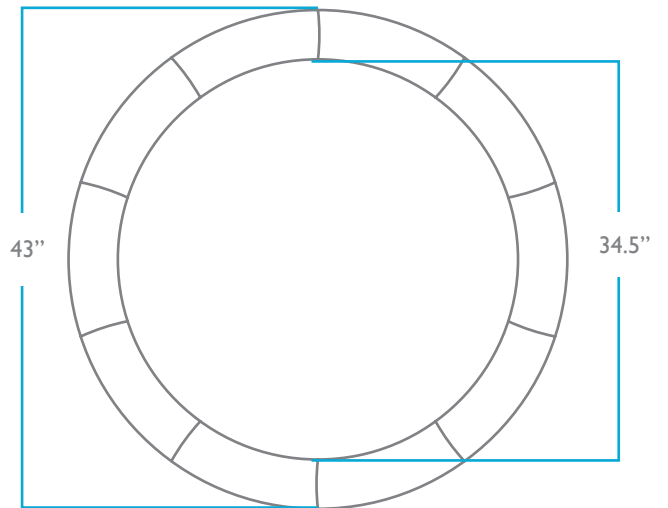
SMALL - TOP



LARGE - SIDE



LARGE - TOP



OVERALL

HEIGHT: 19"

SMALL WIDTH: 27"

LARGE WIDTH: 43"

PACK WEIGHT

SMALL: 30 LBS

LARGE: 70 LBS