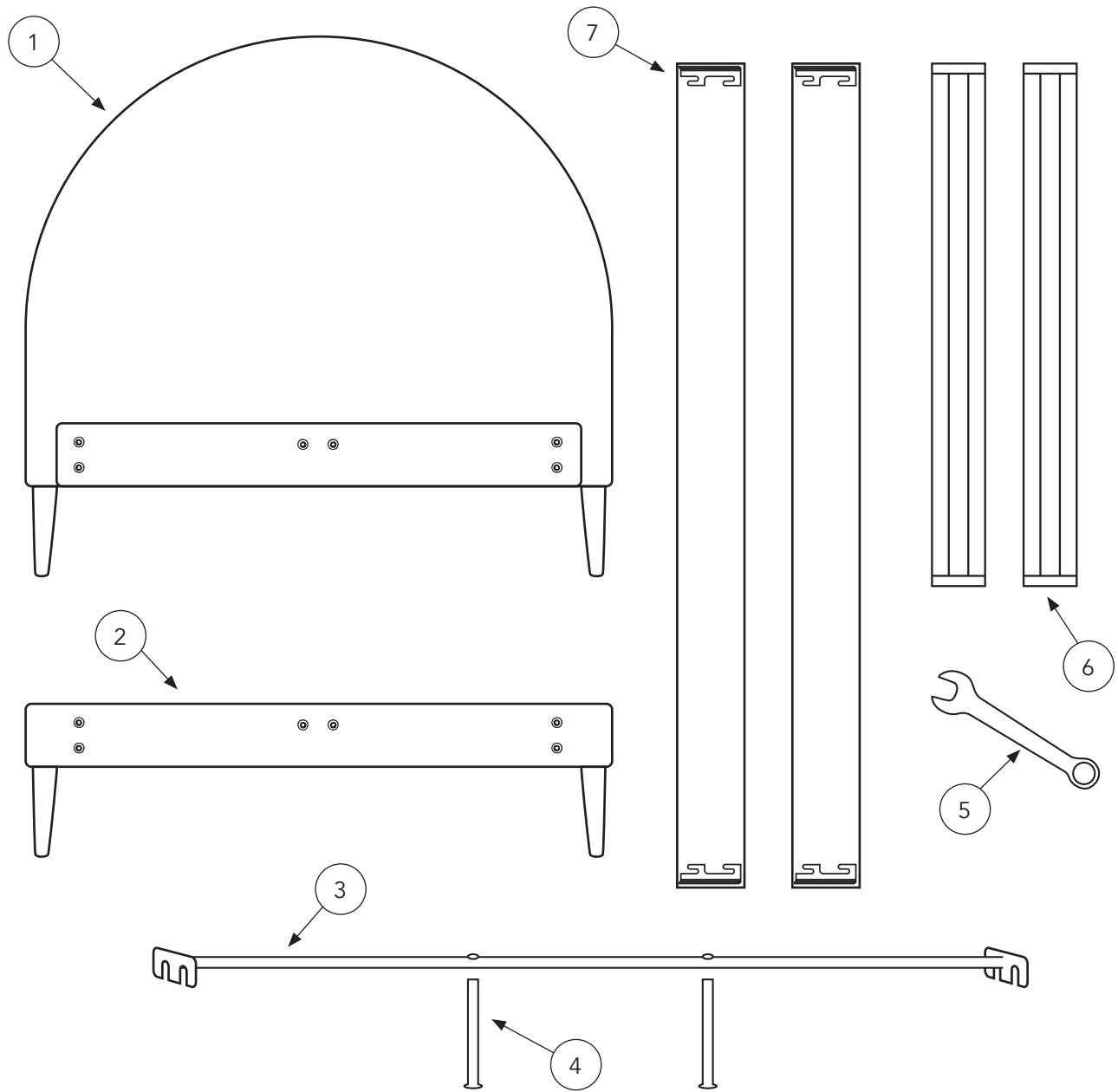




COLEY HOME

HUDSON BED ASSEMBLY GUIDE

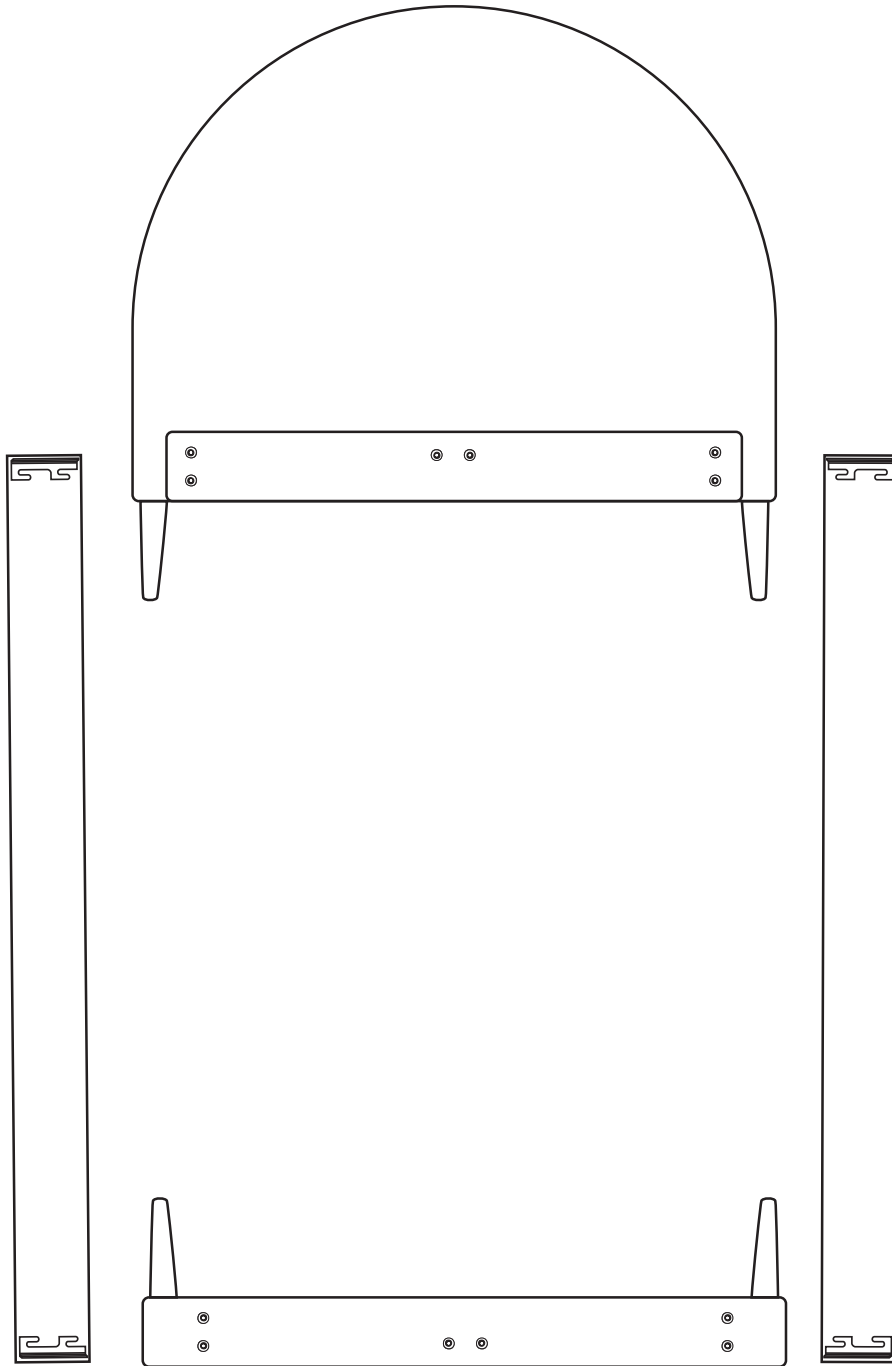




ITEM NUMBER	DESCRIPTION	QUANTITY
1	HEADBOARD	1
2	FOOTBOARD	1
3	CENTER RAIL	1
4	CENTER RAIL LEGS	2
5	1/2" WRENCH	1
6	SLATS	2
7	SIDE RAILS	2

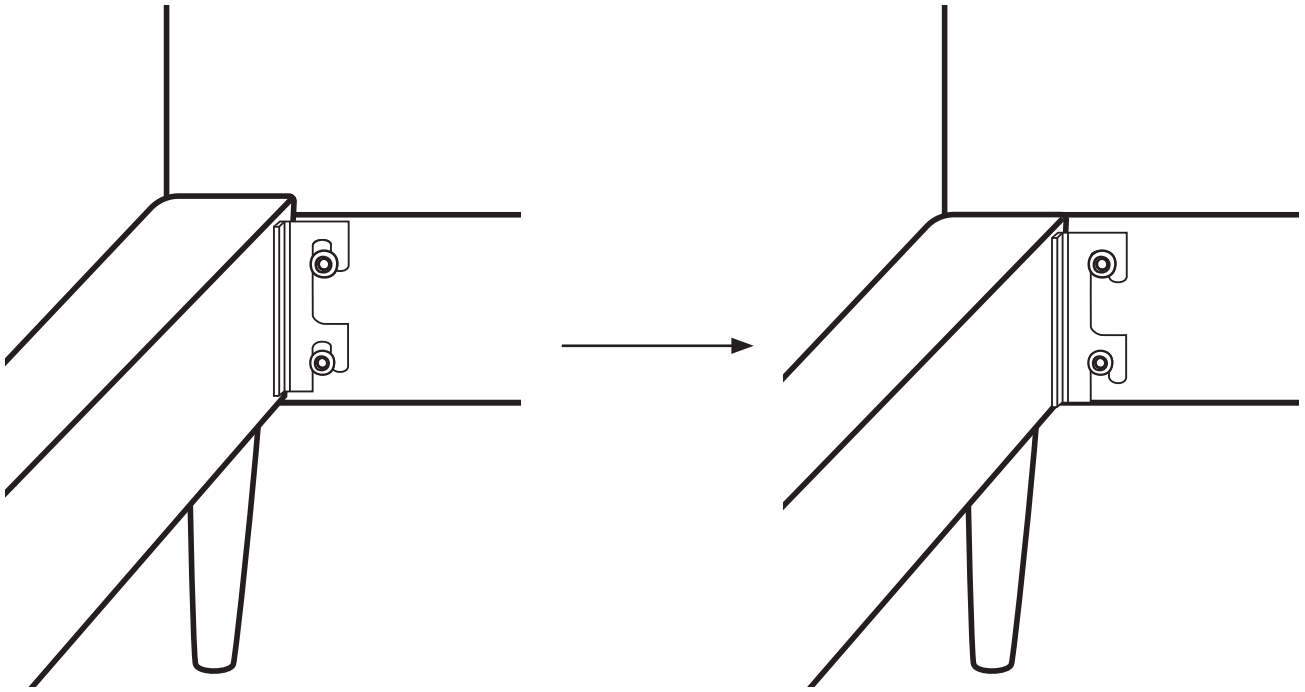
STEP ONE:

Unpack your new Hudson Bed and arrange for assembly! The screws should already be in place on both sides of the headboard and the footboard. You might need to loosen the screws a bit, but do not take them out completely.



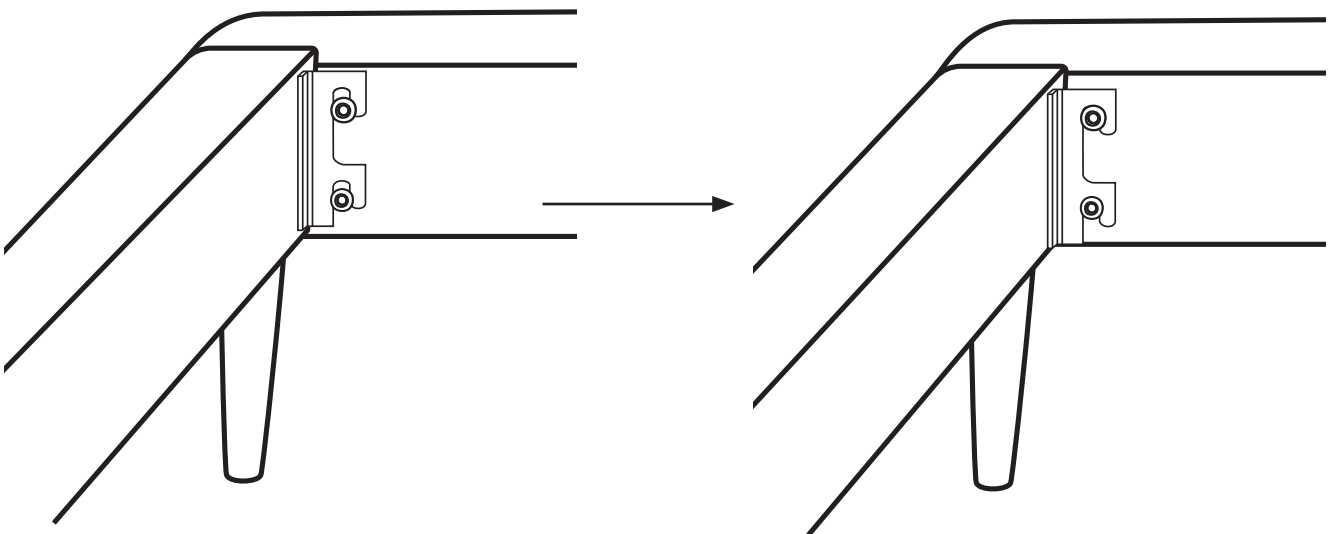
STEP TWO:

Connect the side rails to the headboard



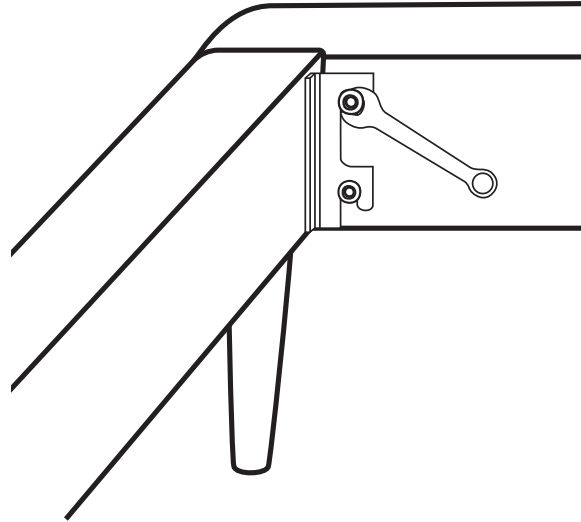
STEP THREE

Connect the side rails to the footboard



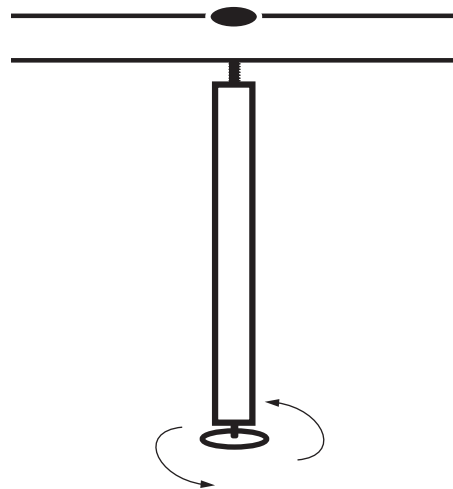
STEP FOUR:

Use the wrench provided to tighten the bolts.



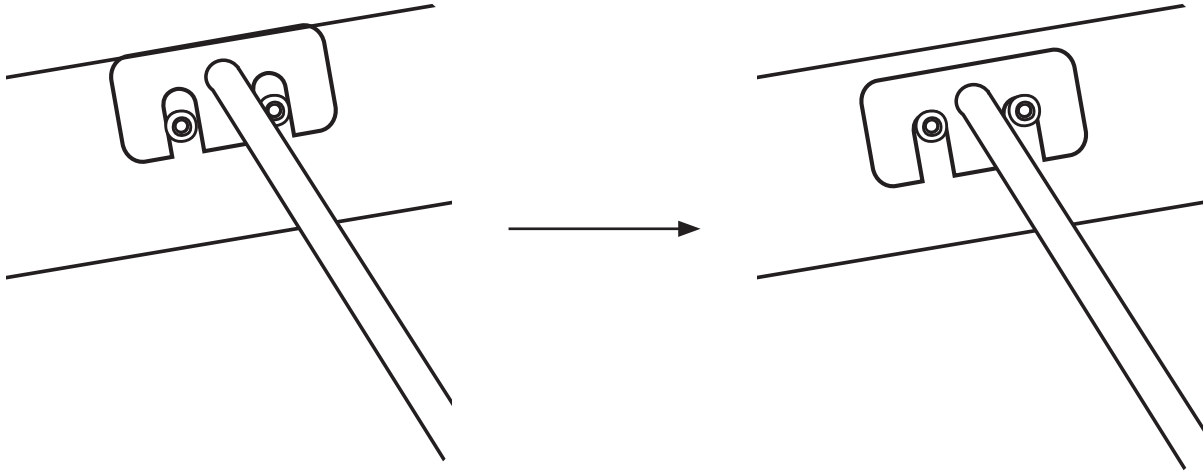
STEP FIVE:

Insert the center rail legs into the center rail and twist by hand.



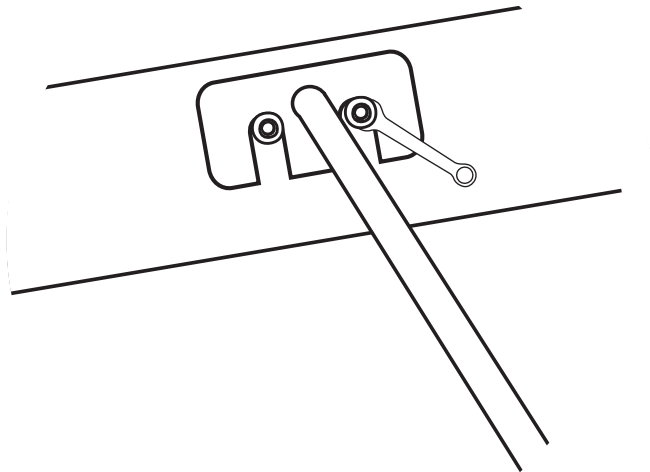
STEP SIX:

Connect the center rail to the headboard and footboard



STEP SEVEN:

Use the wrench provided to tighten the bolts



STEP NINE:

Place the two sets of slats neatly inside the bed frame, and slide directly against your headboard. Place your mattress on top and enjoy!

