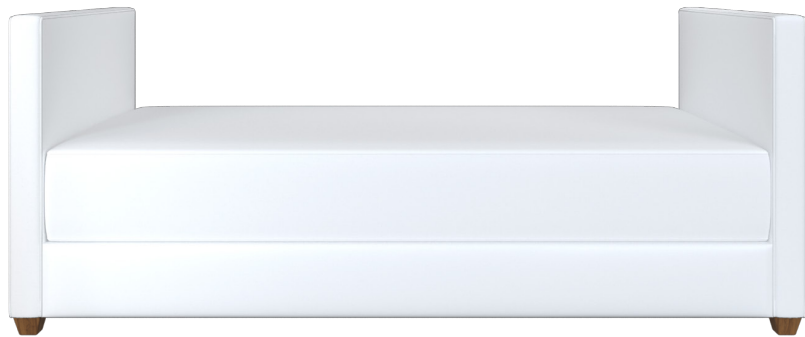


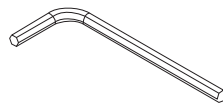
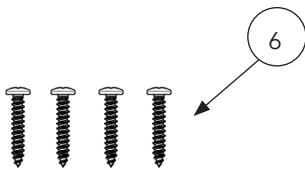
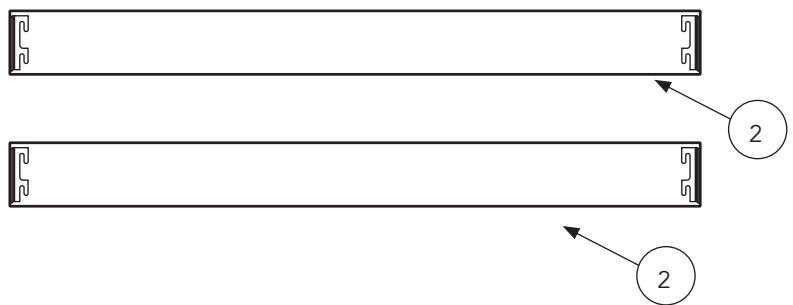
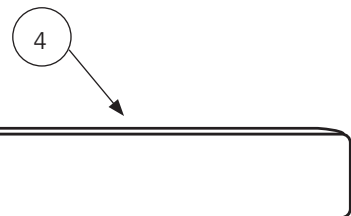
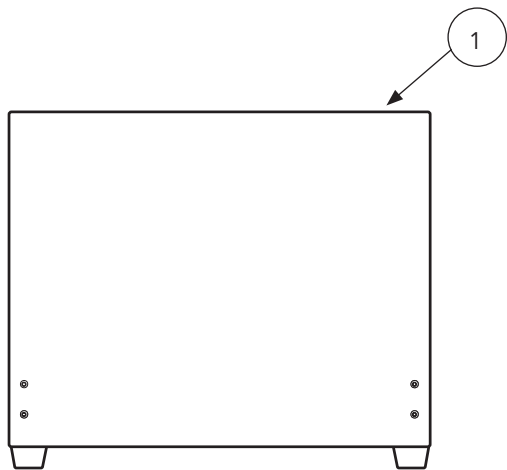
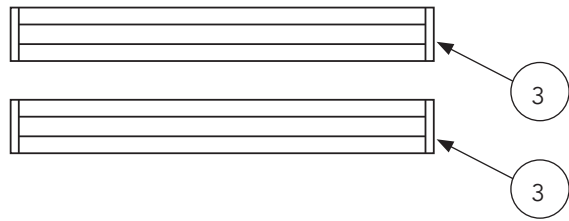
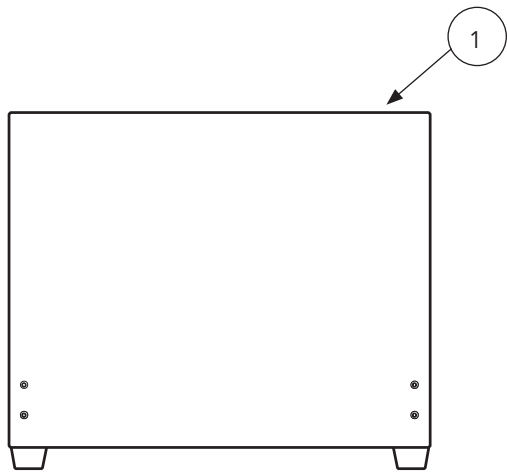


COLEY HOME

DAYBED ASSEMBLY GUIDE





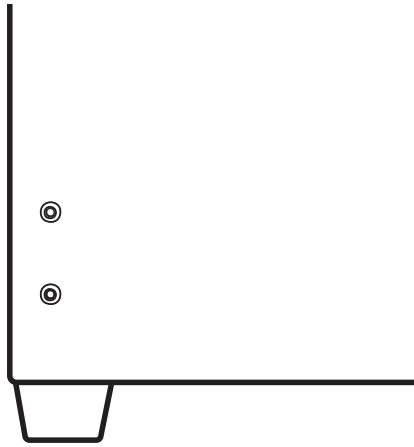


EXTRA LEG BRACKET SCREWS

ITEM NUMBER	DESCRIPTION	QUANTITY
1	FRONT/BACK FOOT BOARD	2
2	LEFT/RIGHT RAIL	2
3	SLATS	2
4	UPHOLSTERED CUSHION	1
5	ALLEN WRENCH	1
6	EXTRA SCREWS	

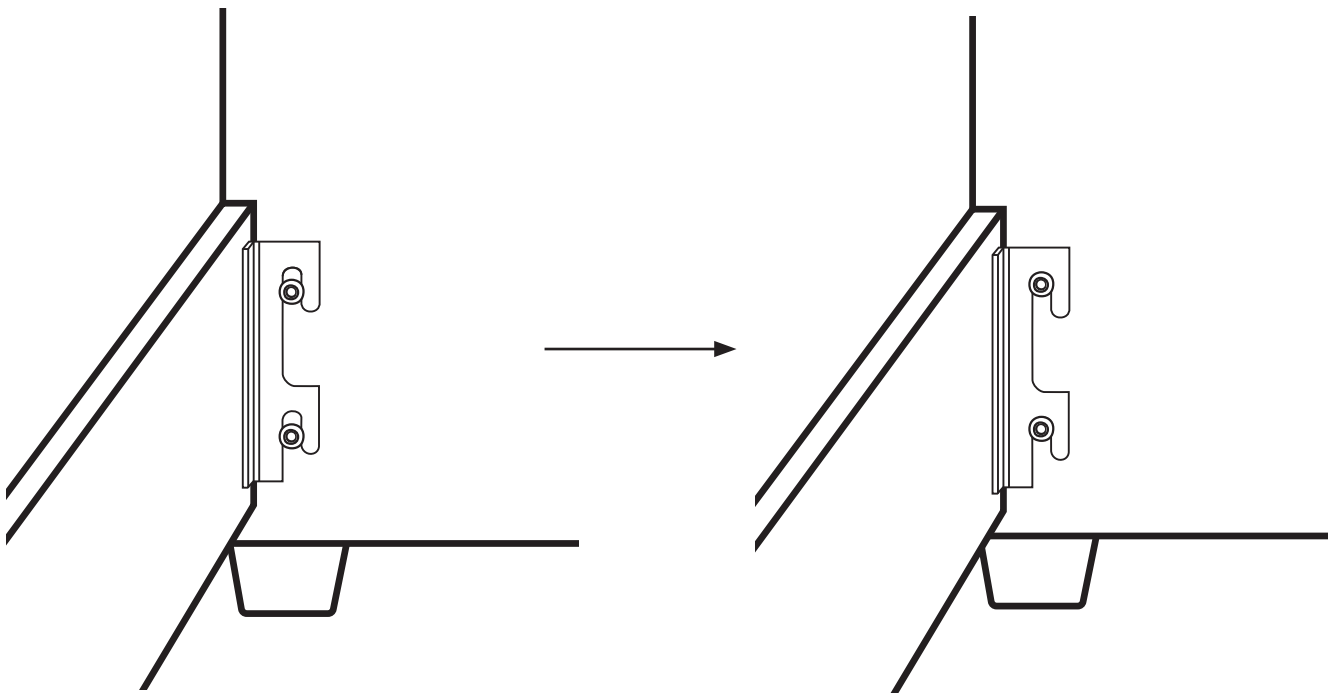
STEP ONE:

Unpack your new Daybed! The screws should already be in place on both sides of each foot board. You might need to loosen the screws a bit, but do not take them out completely.



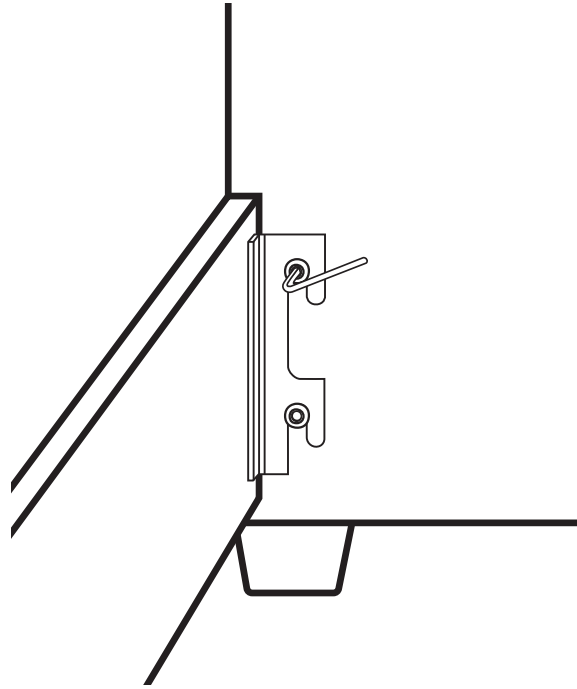
STEP TWO:

Connect the foot boards to the rails



STEP THREE:

Use the Allen wrench to tighten the bolts.



STEP FOUR:

Place the two sets of slats neatly inside the daybed frame, they should cover the entire length of the frame. Place your upholstered cushion or mattress on top, and enjoy!

