



Beautifully streamlined with fully upholstered legs, the Baker Bed will be a boldly sophisticated anchor for your bedroom. The geometric headboard & footboard can be customized with a contrast welt. Available in King, Queen, and Twin sizes.

FRAME CONSTRUCTION

WOOD:

Responsibly harvested engineered hardwood with interlocking glued joints that are corner blocked for durability

POLY:

All of the foam used in our pieces is CertiPUR-US® certified. None of the foam used in our products contain flame retardants. All of our products are TB117-2013 compliant

AVAILABLE CUSTOMIZATIONS

KING, QUEEN, OR TWIN

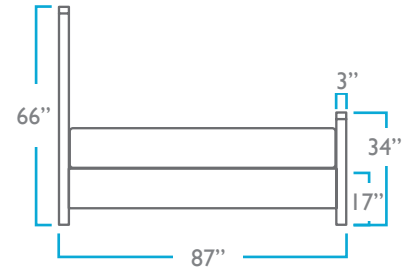
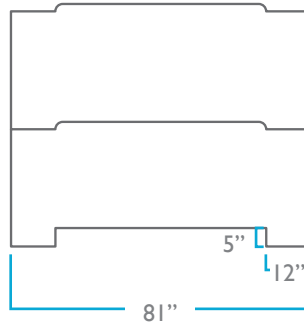
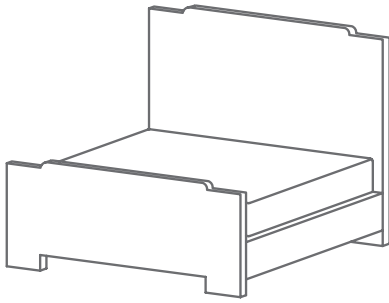
CONTRAST WELT

QUESTIONS?

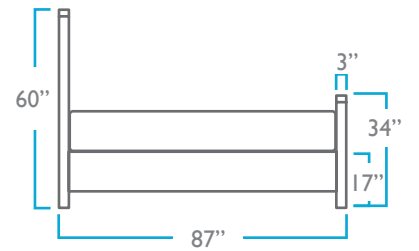
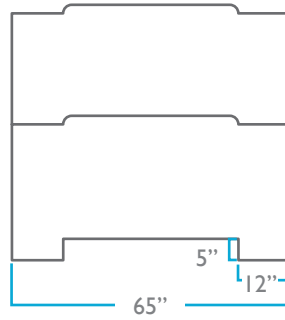
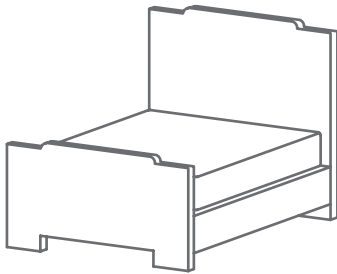
HELLO@COLEYHOME.COM

980.237.9861

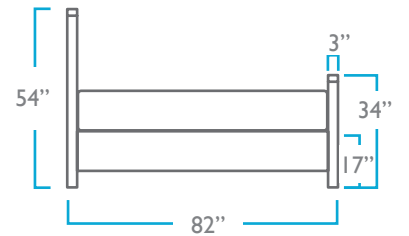
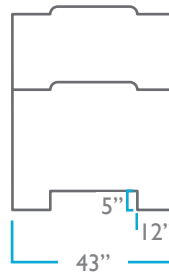
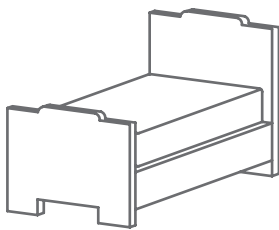
KING



QUEEN



TWIN



OVERALL

KING: 81" X 87"

KING HEIGHT: 66"

QUEEN: 65" X 87"

QUEEN HEIGHT: 60"

OVERALL

TWIN: 43" x 82"

TWIN HEIGHT: 54"

PACK WEIGHT

KING: 250 LBS

QUEEN: 245 LBS

TWIN: 240 LBS



A comfortable staple for the family room, the Bella Ottoman is available in over 90 fabrics. Add a punch of color with a vibrant print, or anchor any space with a serene neutral. The block-leg base, available in five oak finishes, adds a modern twist to this classic piece.

FRAME CONSTRUCTION

WOOD:

Responsibly harvested engineered hardwood with interlocking glued joints that are corner blocked for durability

SPRINGS:

Supportive, durable elastic webbed base

POLY:

All of the foam used in our pieces is CertiPUR-US® certified. None of the foam used in our products contain flame retardants. All of our products are TBI 17-2013 compliant

WOOD FINISHES



WALNUT



WEATHERED OAK



SIMPLY WHITE



NATURAL



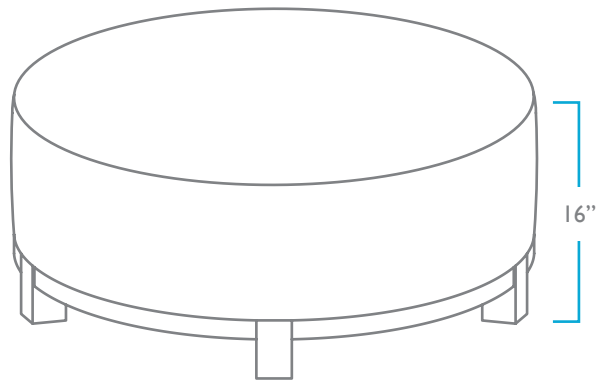
DUNE

QUESTIONS?

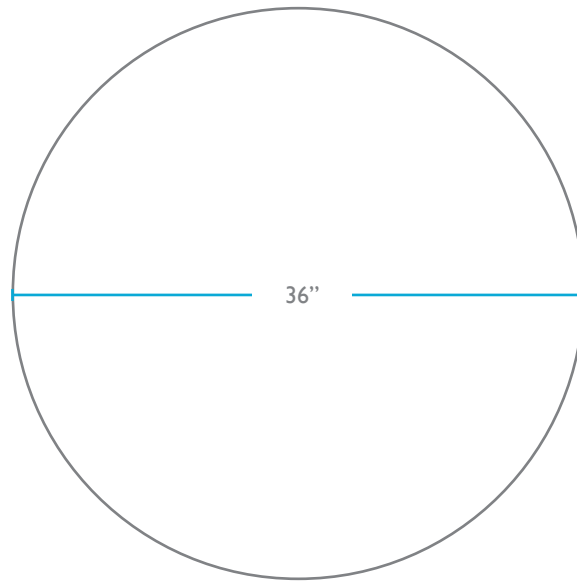
HELLO@COLEYHOME.COM

980.237.9861

SIDE



TOP



OVERALL
HEIGHT: 16"
WIDTH: 36"

PACK WEIGHT
56 LBS



Boasting a lovely curved silhouette, the Bennett Sofa is a striking yet comfortable focal point of any room. Eye-catching and chic in any fabric, it brings modern elegance to your home.

FRAME CONSTRUCTION

WOOD:

Responsibly harvested engineered hardwood with interlocking glued joints that are corner blocked for durability

SPRINGS:

Heavy gauge wire sinuous springs made of 80% recycled metal

POLY:

All of the foam used in our pieces is CertiPUR-US® certified. None of the foam used in our products contain flame retardants. All of our products are TB117-2013 compliant

WOOD FINISHES



WALNUT

WEATHERED OAK

SIMPLY WHITE

NATURAL

DUNE

CUSHION CONTENT

SEAT CUSHION:

Seat cushions feature a high-resilient foam core that is wrapped in a fiber-down blend and sewn into a down-proof ticking.

AVAILABLE CUSTOMIZATIONS

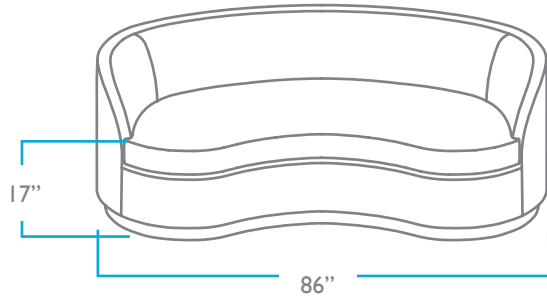
CONTRAST WELT

QUESTIONS?

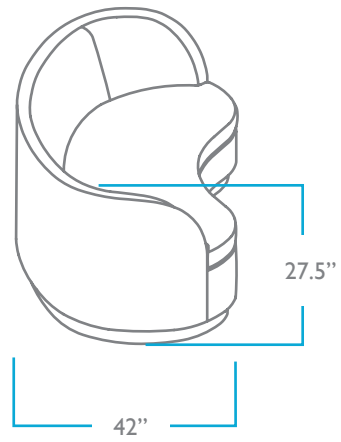
HELLO@COLEYHOME.COM

980.237.9861

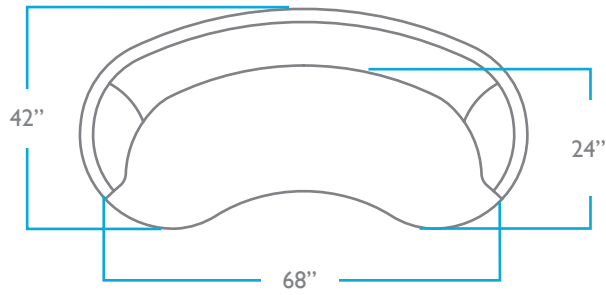
FRONT



SIDE



TOP



BACK



OVERALL

HEIGHT: 27.5"

WIDTH: 86"

DEPTH: 42"

SEAT

HEIGHT: 17"

WIDTH: 68"

DEPTH: 24"

PACK WEIGHT

165 LBS



Perfect for the end of the bed or in an entryway, the Bento Bench is a comfortable perch. Stylish waterfall upholstery creates beautiful lines, and it is especially gorgeous in a striking stripe or textural fabric. Available in 3 lengths.

FRAME CONSTRUCTION

WOOD:

Responsibly harvested engineered hardwood with interlocking glued joints that are corner blocked for durability

SPRINGS:

Supportive, durable elastic webbed base

POLY:

All of the foam used in our pieces is CertiPUR-US® certified. None of the foam used in our products contain flame retardants. All of our products are TBI 17-2013 compliant

AVAILABLE CUSTOMIZATIONS

SMALL (30"), MEDIUM (50"), OR LARGE (66") LENGTHS

WOOD FINISHES



WALNUT



WEATHERED OAK



SIMPLY WHITE



NATURAL



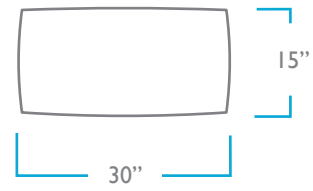
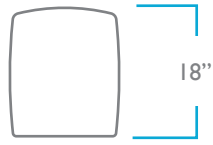
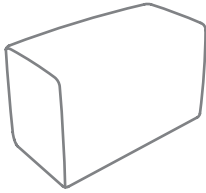
DUNE

QUESTIONS?

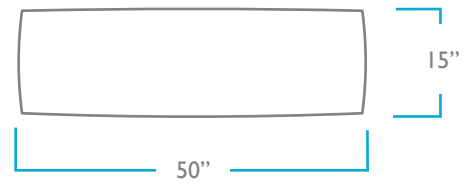
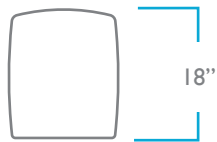
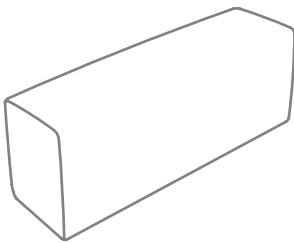
HELLO@COLEYHOME.COM

980.237.9861

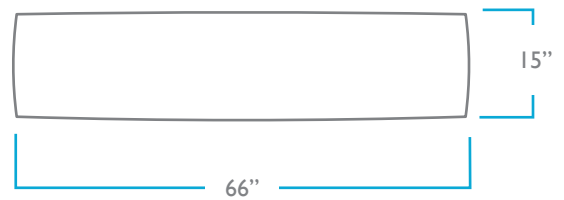
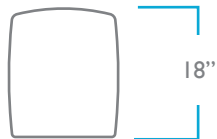
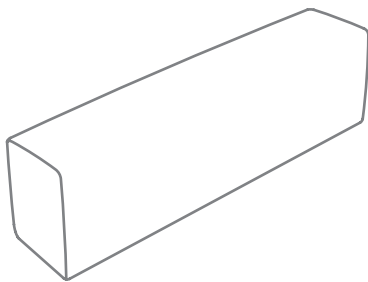
SMALL



MEDIUM



LARGE



OVERALL

HEIGHT: 18"

DEPTH: 15"

SMALL WIDTH: 30"

MEDIUM WIDTH: 50"

LARGE WIDTH: 66"

PACK WEIGHT

SMALL: 30 LBS

MEDIUM: 40 LBS

LARGE: 45 LBS



A larger version of our best-selling Teeny Swivel, the Biggie Swivel brings big personality to your home. Add a contrast outback for a striking statement and contrast piping for a subtle bespoke detail.

FRAME CONSTRUCTION

WOOD:

Responsibly harvested engineered hardwood with interlocking glued joints that are corner blocked for durability

SPRINGS:

Supportive, durable elastic webbed base

POLY:

All of the foam used in our pieces is CertiPUR-US® certified. None of the foam used in our products contain flame retardants. All of our products are TB117-2013 compliant

MOVEMENT:

360° Swivel

WOOD FINISHES



WALNUT



WEATHERED OAK



SIMPLY WHITE



NATURAL



DUNE

AVAILABLE CUSTOMIZATIONS

CONTRAST OUTBACK

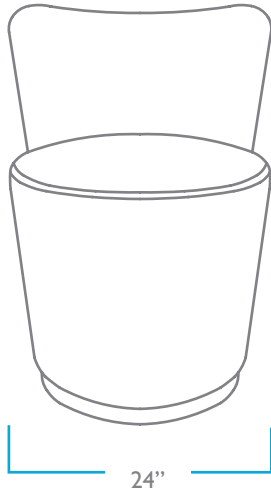
CONTRAST WELT

QUESTIONS?

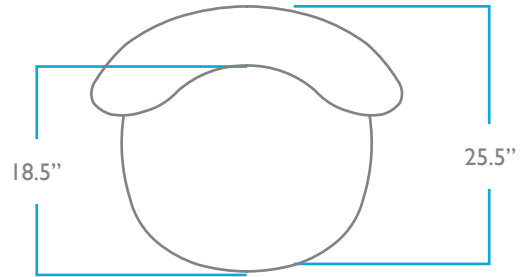
HELLO@COLEYHOME.COM

980.237.9861

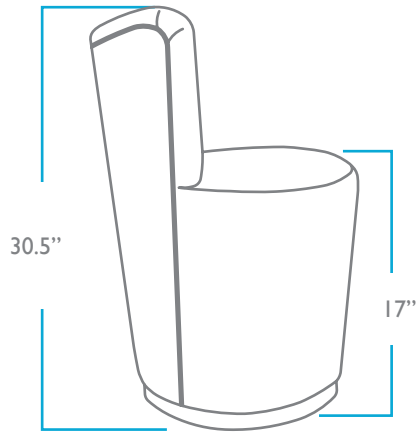
FRONT



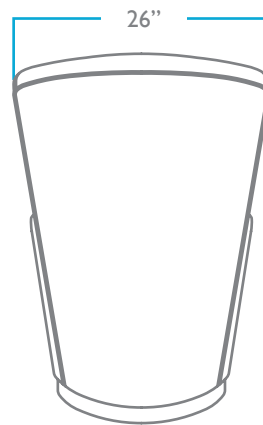
TOP



SIDE



BACK



OVERALL

HEIGHT: 30.5"
TOP WIDTH: 26"
BASE WIDTH: 24"
DEPTH: 25.5"

SEAT

HEIGHT: 17"

PACK WEIGHT

50 LBS



Available in two sizes, the Birdie Ottoman is a comfortable accent piece that beautifully pulls any room together. Further customize the Birdie Ottoman by accenting the top with a contrasting color or texture.

FRAME CONSTRUCTION

WOOD:

Responsibly harvested engineered hardwood with interlocking glued joints that are corner blocked for durability

SPRINGS:

Supportive, durable elastic webbed base

POLY:

All of the foam used in our pieces is CertiPUR-US® certified. None of the foam used in our products contain flame retardants. All of our products are TBI 17-2013 compliant

AVAILABLE CUSTOMIZATIONS

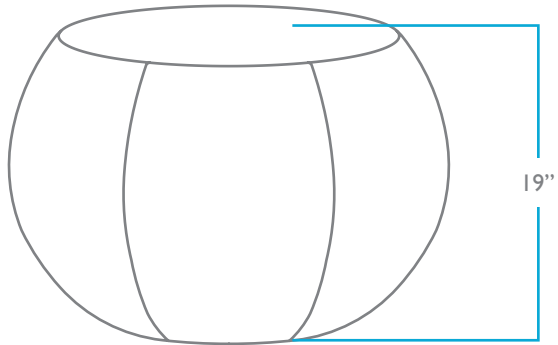
CONTRAST TOP

QUESTIONS?

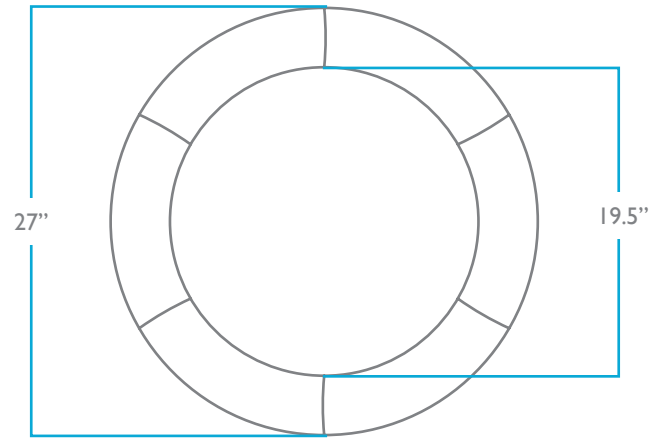
HELLO@COLEYHOME.COM

980.237.9861

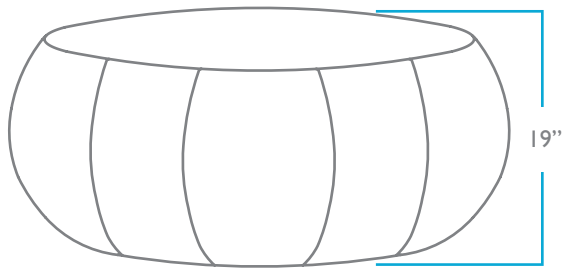
SMALL - SIDE



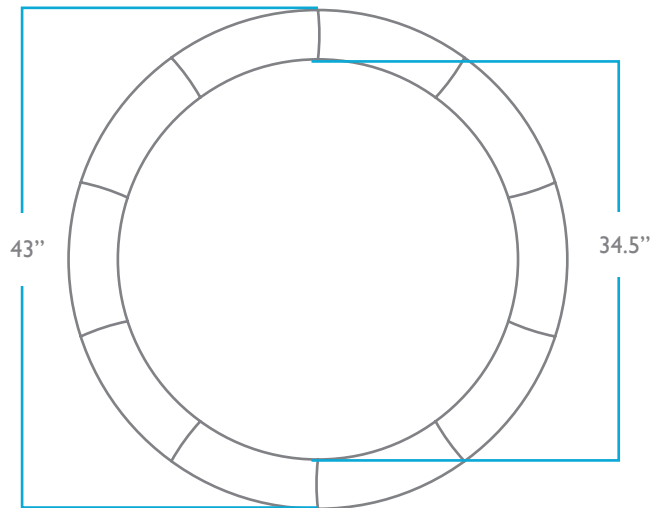
SMALL - TOP



LARGE - SIDE



LARGE - TOP



OVERALL

HEIGHT: 19"

SMALL WIDTH: 27"

LARGE WIDTH: 43"

PACK WEIGHT

SMALL: 30 LBS

LARGE: 70 LBS



DESIGN BY
HANNAH OZBURN

Featuring clean lines and shelter arms with a saber detail, the Bradley Box Chair is a staple for the living room or den. Grab a pair for a sophisticated, contemporary look. Available slipcovered or upholstered.

FRAME CONSTRUCTION

WOOD:

Responsibly harvested engineered hardwood with interlocking glued joints that are corner blocked for durability

SPRINGS:

Heavy gauge wire sinuous springs made of 80% recycled metal

POLY:

All of the foam used in our pieces is CertiPUR-US® certified. None of the foam used in our products contain flame retardants. All of our products are TB117-2013 compliant

CUSHION CONTENT

BACK CUSHION:

Our Plush Back Cushions are made of 100% microfiber. This high end fill provides a resilient back which will help your cushions keep their shape over time. Plush fill is also hypoallergenic and environmentally friendly.

SEAT CUSHION:

Seat cushions feature a high-resilient foam core that is wrapped in a fiber-down blend and sewn into a down-proof ticking.

AVAILABLE CUSTOMIZATIONS

SLIPCOVERED

OR UPHOLSTERED

WOOD FINISHES



WALNUT



WEATHERED
OAK



SIMPLY
WHITE



NATURAL



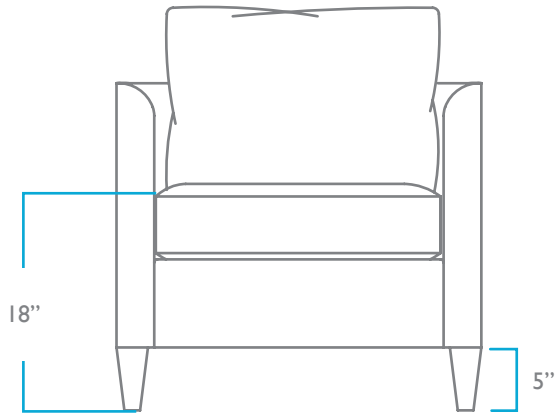
DUNE

QUESTIONS?

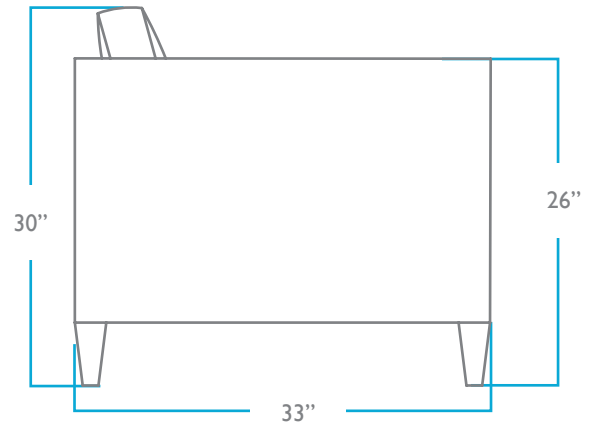
HELLO@COLEYHOME.COM

980.237.9861

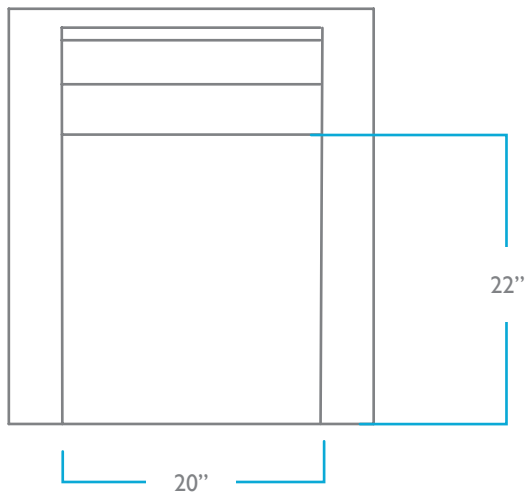
FRONT



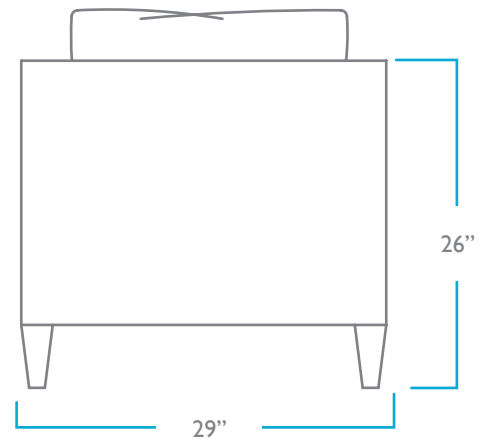
SIDE



TOP



BACK



OVERALL

HEIGHT: 30"

WIDTH: 29"

DEPTH: 33"

SEAT

HEIGHT: 18"

DEPTH: 22"

PACK WEIGHT

85 LBS



An updated chaise perfect for the entertainer, a family, or anyone needing a little more seating. We created a piece that could be equally as sleek as comfortable. With a beautiful saber arm and soft cushions, this will be your new spot. Kick up your feet!

FRAME CONSTRUCTION

WOOD:

Responsibly harvested engineered hardwood with interlocking glued joints that are corner blocked for durability

SPRINGS:

Heavy gauge wire sinuous springs made of 80% recycled metal

POLY:

All of the foam used in our pieces is CertiPUR-US® certified. None of the foam used in our products contain flame retardants. All of our products are TB117-2013 compliant

CUSHION CONTENT

BACK CUSHION:

Our Plush Back Cushions are made of 100% microfiber. This high end fill provides a resilient back which will help your cushions keep their shape over time. Plush fill is also hypoallergenic and environmentally friendly.

SEAT CUSHION:

Seat cushions feature a high-resilient foam core that is wrapped in a fiber-down blend and sewn into a down-proof ticking.

WOOD FINISHES



WALNUT



WEATHERED OAK



SIMPLY WHITE



NATURAL



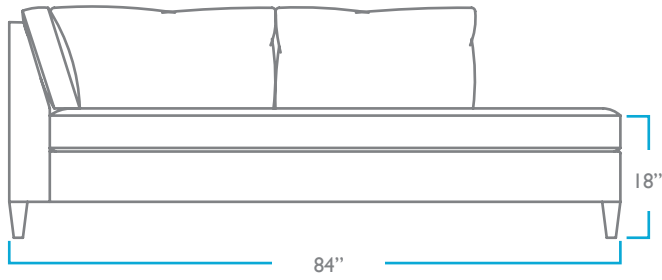
DUNE

QUESTIONS?

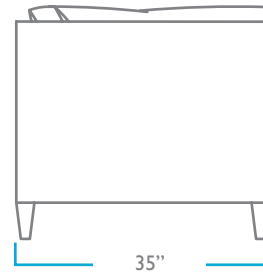
HELLO@COLEYHOME.COM

980.237.9861

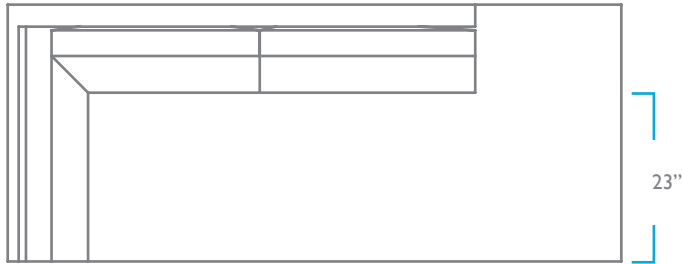
FRONT



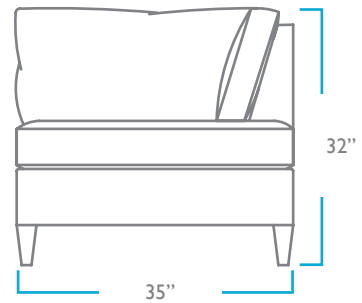
LEFT SIDE



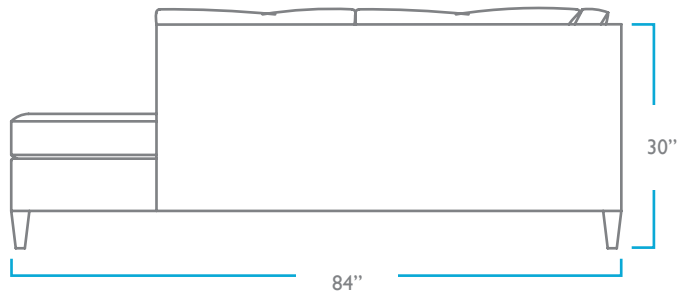
TOP



RIGHT SIDE



BACK



OVERALL

HEIGHT: 32"

WIDTH: 84"

DEPTH: 35

SEAT

HEIGHT: 18"

DEPTH: 23"

PACK WEIGHT

165 LBS



An updated sectional perfect for the entertainer, a family, or anyone needing a little more seating. We created a piece that could be equally as sleek as comfortable. With a beautiful saber arm and soft cushions, this will be your new spot. Kick up your feet!

FRAME CONSTRUCTION

WOOD:

Responsibly harvested engineered hardwood with interlocking glued joints that are corner blocked for durability

SPRINGS:

Heavy gauge wire sinuous springs made of 80% recycled metal

POLY:

All of the foam used in our pieces is CertiPUR-US® certified. None of the foam used in our products contain flame retardants. All of our products are TB117-2013 compliant

CUSHION CONTENT

BACK CUSHION:

Our Plush Back Cushions are made of 100% microfiber. This high end fill provides a resilient back which will help your cushions keep their shape over time. Plush fill is also hypoallergenic and environmentally friendly.

SEAT CUSHION:

Seat cushions feature a high-resilient foam core that is wrapped in a fiber-down blend and sewn into a down-proof ticking.

AVAILABLE CUSTOMIZATIONS

SLIPCOVERED

OR UPHOLSTERED

WOOD FINISHES



WALNUT



WEATHERED
OAK



SIMPLY
WHITE



NATURAL



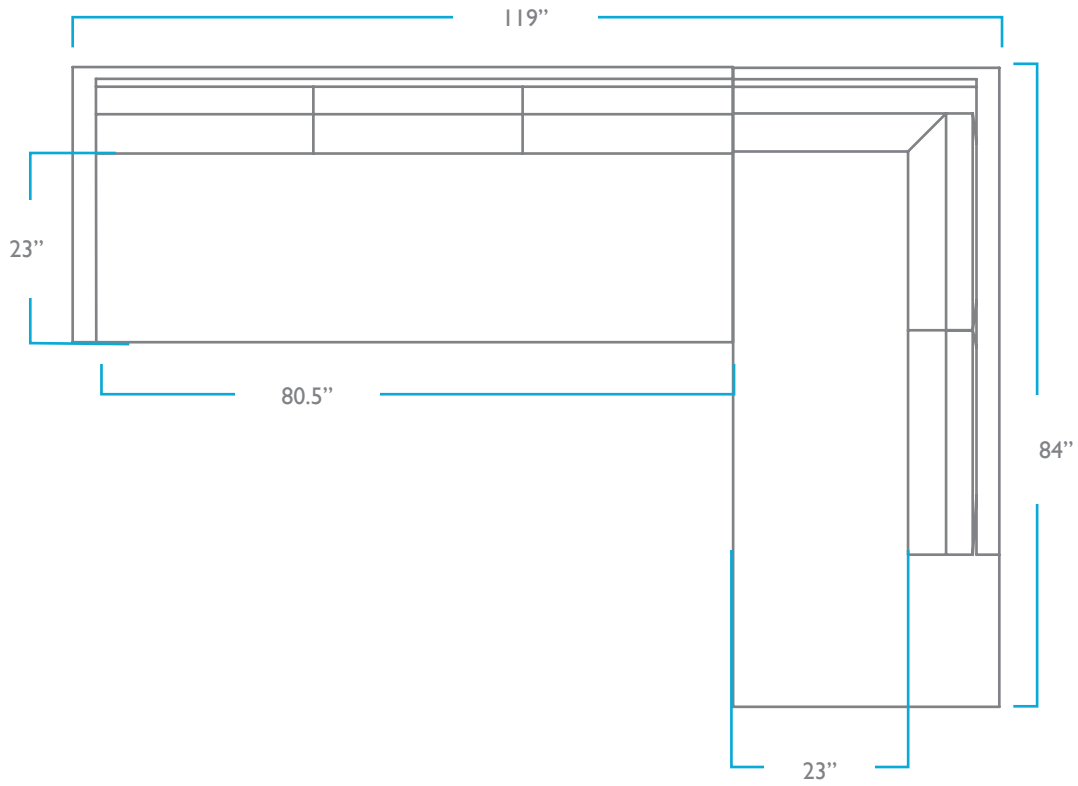
DUNE

QUESTIONS?

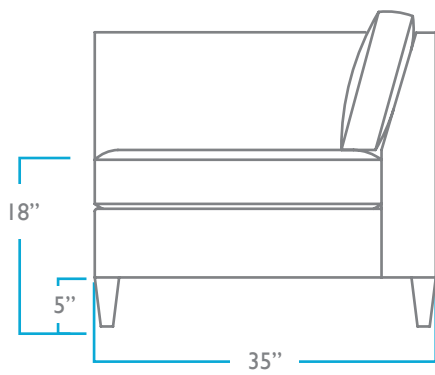
HELLO@COLEYHOME.COM

980.237.9861

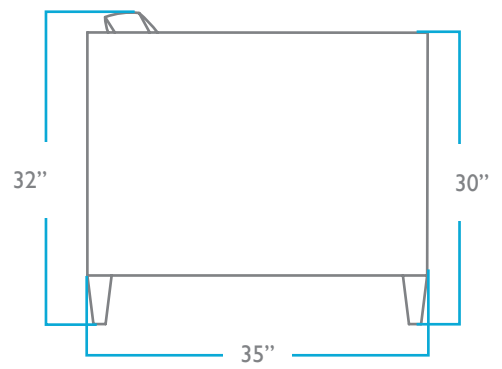
TOP



SIDE



SIDE



OVERALL

HEIGHT: 32"

WIDTH: 119"

CHAISE LENGTH: 84"

DEPTH: 35"

SEAT

HEIGHT: 18"

DEPTH: 23"

PACK WEIGHT

330 LBS

An updated sectional perfect for the entertainer, a family, or anyone needing a little more seating. We created a piece that could be equally as sleek as comfortable. With a beautiful saber arm and soft cushions, this will be your new spot. Kick up your feet!

FRAME CONSTRUCTION

WOOD:

Responsibly harvested engineered hardwood with interlocking glued joints that are corner blocked for durability

SPRINGS:

Heavy gauge wire sinuous springs made of 80% recycled metal

POLY:

All of the foam used in our pieces is CertiPUR-US® certified. None of the foam used in our products contain flame retardants. All of our products are TB117-2013 compliant

CUSHION CONTENT

BACK CUSHION:

Our Plush Back Cushions are made of 100% microfiber. This high end fill provides a resilient back which will help your cushions keep their shape over time. Plush fill is also hypoallergenic and environmentally friendly.

SEAT CUSHION:

Seat cushions feature a high-resilient foam core that is wrapped in a fiber-down blend and sewn into a down-proof ticking.

AVAILABLE CUSTOMIZATIONS

SLIPCOVERED

OR UPHOLSTERED

WOOD FINISHES



WALNUT



WEATHERED OAK



SIMPLY WHITE



NATURAL



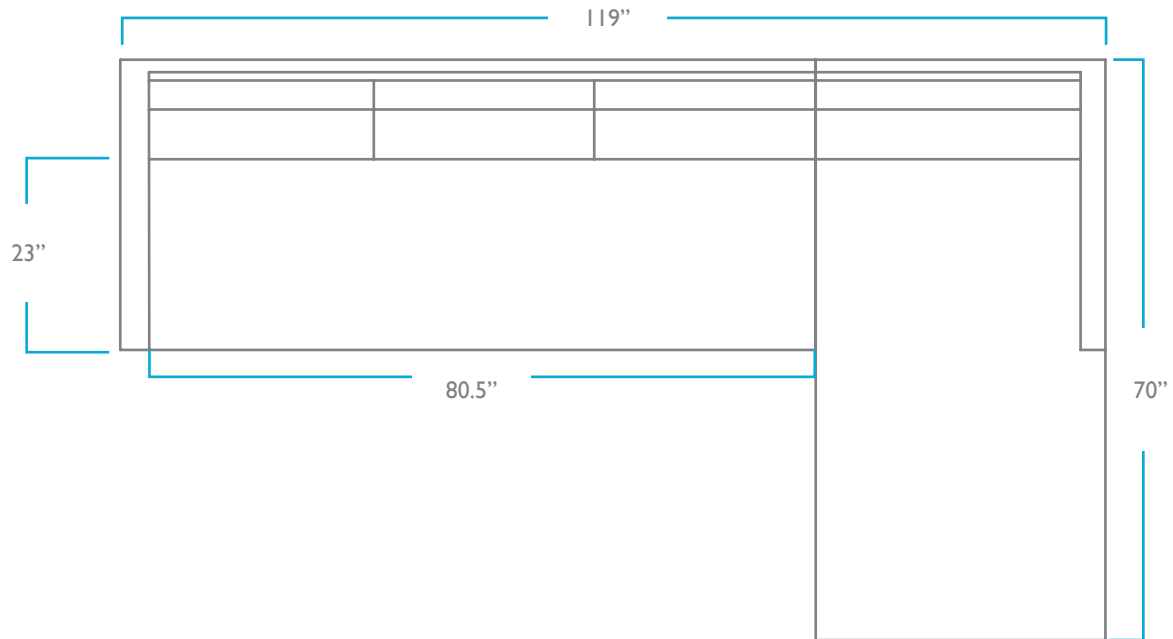
DUNE

QUESTIONS?

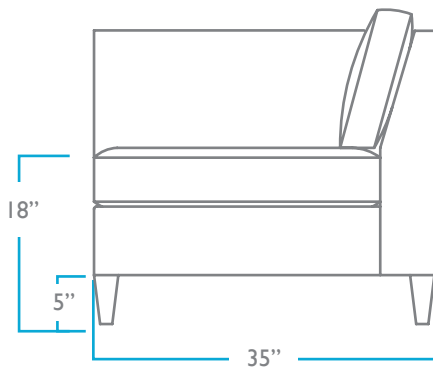
HELLO@COLEYHOME.COM

980.237.9861

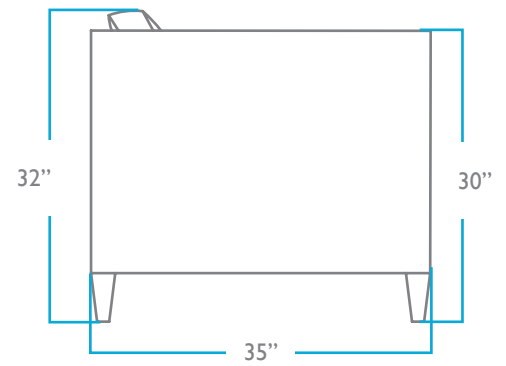
TOP



SIDE



SIDE



OVERALL

HEIGHT: 27.5"

WIDTH: 86"

DEPTH: 42"

SEAT

HEIGHT: 17"

WIDTH: 68"

DEPTH: 24"

PACK WEIGHT

165 LBS



An updated sectional perfect for the entertainer, a family, or anyone needing a little more seating. We created a piece that could be equally as sleek as comfortable. With a beautiful saber arm and soft cushions, this will be your new spot. Kick up your feet!

FRAME CONSTRUCTION

WOOD:

Responsibly harvested engineered hardwood with interlocking glued joints that are corner blocked for durability

SPRINGS:

Heavy gauge wire sinuous springs made of 80% recycled metal

POLY:

All of the foam used in our pieces is CertiPUR-US® certified. None of the foam used in our products contain flame retardants. All of our products are TB117-2013 compliant

CUSHION CONTENT

BACK CUSHION:

Our Plush Back Cushions are made of 100% microfiber. This high end fill provides a resilient back which will help your cushions keep their shape over time. Plush fill is also hypoallergenic and environmentally friendly.

SEAT CUSHION:

Seat cushions feature a high-resilient foam core that is wrapped in a fiber-down blend and sewn into a down-proof ticking.

AVAILABLE CUSTOMIZATIONS

SLIPCOVERED

OR UPHOLSTERED

WOOD FINISHES



WALNUT



WEATHERED
OAK



SIMPLY
WHITE



NATURAL



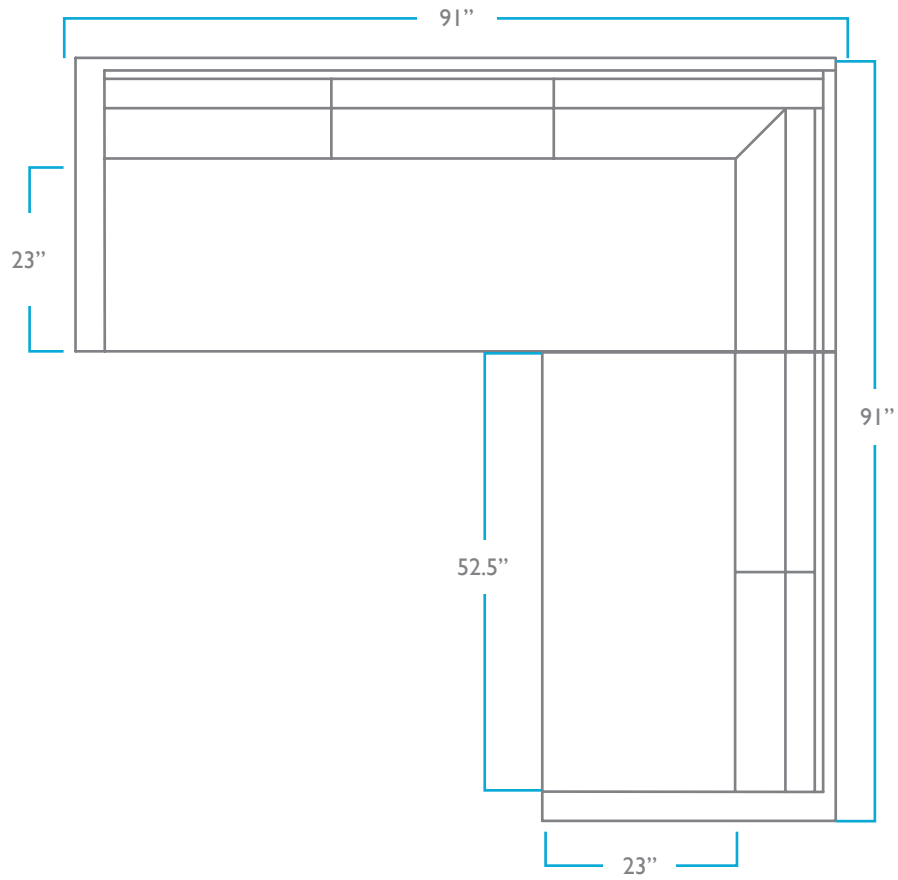
DUNE

QUESTIONS?

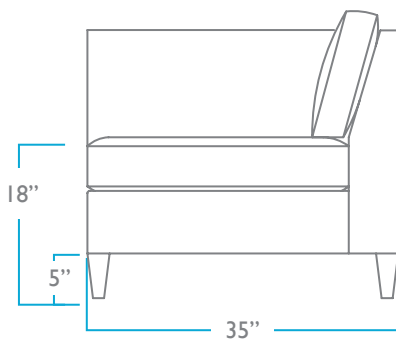
HELLO@COLEYHOME.COM

980.237.9861

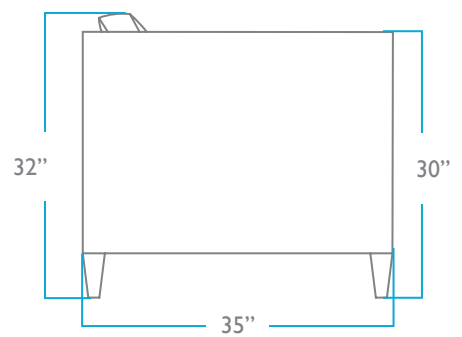
TOP



SIDE



SIDE



OVERALL

HEIGHT: 32"
WIDTH: 91"
LENGTH: 91"
DEPTH: 35"

SEAT

HEIGHT: 18"
DEPTH: 23"

PACK WEIGHT

270 LBS



This ultra chic sofa features a shelter arm with a saber detail. Boasting a streamlined bench seat for easy lounging and refined oak legs available in five finishes, this stylish sofa brings high design to your home.

FRAME CONSTRUCTION

WOOD:

Responsibly harvested engineered hardwood with interlocking glued joints that are corner blocked for durability

SPRINGS:

Heavy gauge wire sinuous springs made of 80% recycled metal

POLY:

All of the foam used in our pieces is CertiPUR-US® certified. None of the foam used in our products contain flame retardants. All of our products are TB117-2013 compliant

CUSHION CONTENT

BACK CUSHION:

Our Plush Back Cushions are made of 100% microfiber. This high end fill provides a resilient back which will help your cushions keep their shape over time. Plush fill is also hypoallergenic and environmentally friendly.

SEAT CUSHION:

Seat cushions feature a high-resilient foam core that is wrapped in a fiber-down blend and sewn into a down-proof ticking.

AVAILABLE CUSTOMIZATIONS

SLIPCOVERED
OR UPHOLSTERED

WOOD FINISHES



WALNUT



WEATHERED OAK



SIMPLY WHITE



NATURAL

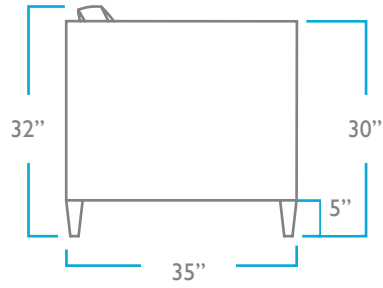


DUNE

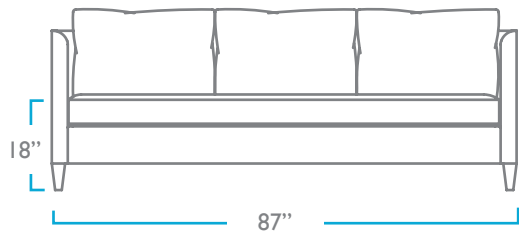
QUESTIONS?

HELLO@COLEYHOME.COM

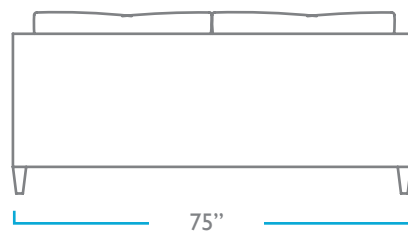
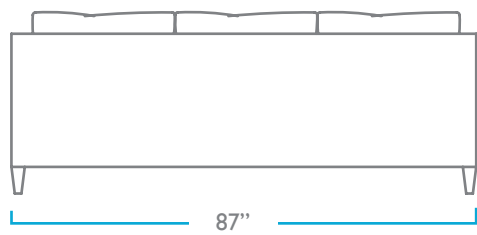
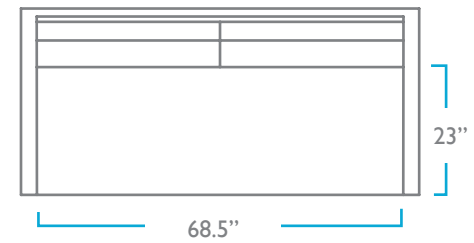
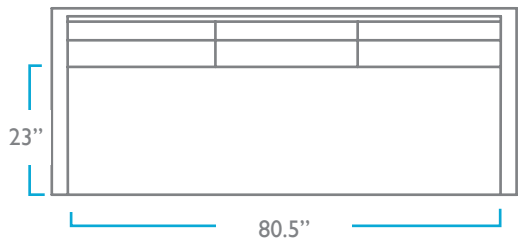
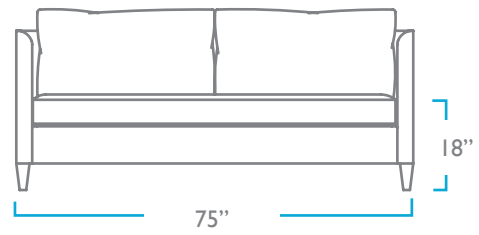
980.237.9861



87" LENGTH



75" LENGTH



OVERALL

HEIGHT: 32"

DEPTH: 35"

SEAT

HEIGHT: 18"

DEPTH: 23"

PACK WEIGHT

87" LENGTH: 140 LBS

75" LENGTH: 138 LBS



Featuring sleek and contemporary lines, the Brooks Bench is a statement piece for any room. Especially fabulous draped in a fun textural fabric or a bold print, this bench will bring chic function to any space.

FRAME CONSTRUCTION

WOOD:

Responsibly harvested engineered hardwood with interlocking glued joints that are corner blocked for durability

SPRINGS:

Supportive, durable elastic webbed base

POLY:

All of the foam used in our pieces is CertiPUR-US® certified. None of the foam used in our products contain flame retardants. All of our products are TBI 17-2013 compliant

AVAILABLE CUSTOMIZATIONS

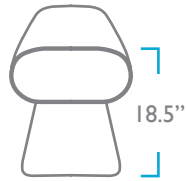
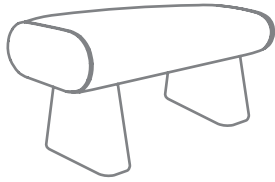
CONTRAST WELT

QUESTIONS?

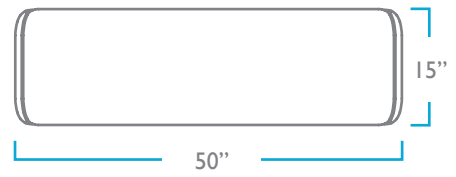
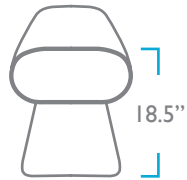
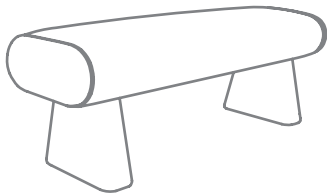
HELLO@COLEYHOME.COM

980.237.9861

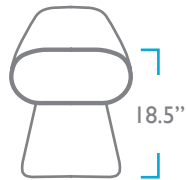
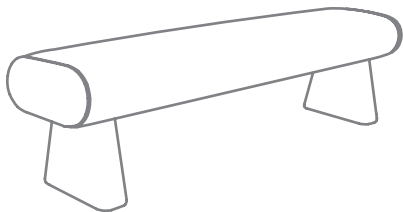
SMALL



MEDIUM



LARGE



OVERALL

HEIGHT: 18.5"

DEPTH: 15"

PACK WEIGHT

SMALL: 35 LBS

MEDIUM: 40 LBS

LARGE: 45 LBS



The Bryant Sofa will be a cozy sanctuary in your home. A low-profile sofa with sleek upholstered legs and options of four cushion configurations, this sofa gives the living room an ultra-comfortable feel.

FRAME CONSTRUCTION

WOOD:

Responsibly harvested engineered hardwood with interlocking glued joints that are corner blocked for durability

SPRINGS:

Heavy gauge wire sinuous springs made of 80% recycled metal

POLY:

All of the foam used in our pieces is CertiPUR-US® certified. None of the foam used in our products contain flame retardants. All of our products are TB117-2013 compliant

CUSHION CONTENT

BACK CUSHION:

Our Plush Back Cushions are made of 100% microfiber. This high end fill provides a resilient back which will help your cushions keep their shape over time. Plush fill is also hypoallergenic and environmentally friendly.

SEAT CUSHION:

Seat cushions feature a high-resilient foam core that is wrapped in a fiber-down blend and sewn into a down-proof ticking.

AVAILABLE CUSTOMIZATIONS

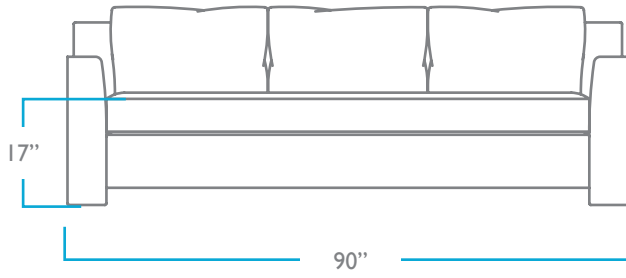
4 CUSHION CONFIGURATIONS

QUESTIONS?

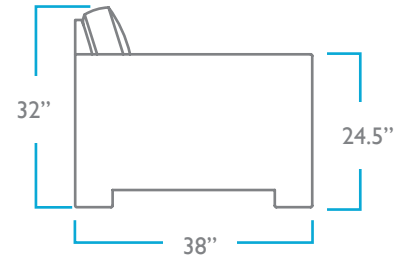
HELLO@COLEYHOME.COM

980.237.9861

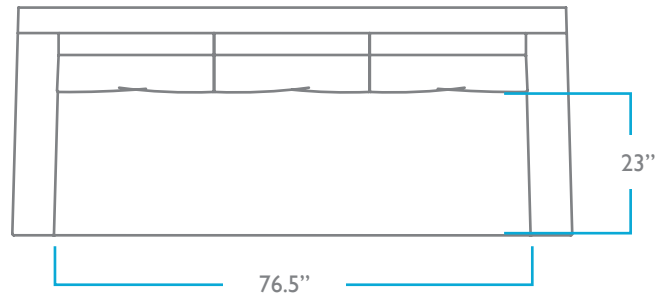
FRONT



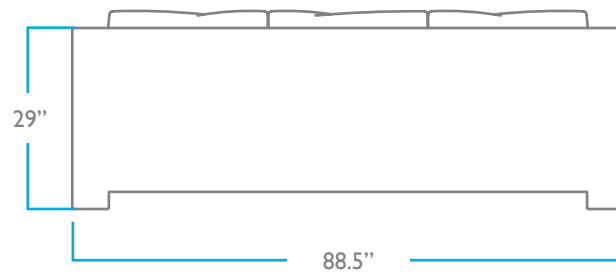
SIDE



TOP



BACK



OVERALL

HEIGHT: 32"

WIDTH: 90"

DEPTH: 38"

ARM HEIGHT: 24.5"

SEAT

HEIGHT: 17"

DEPTH: 23"

PACK WEIGHT

165 LBS



DESIGN BY
NICOLA BATHIE MCLAUGHLIN

Maximizing comfort and coziness, the Bryant Sectional is available in several configurations to perfectly fit your needs. Featuring a sleek bench seat and upholstered legs, the Bryant Sectional will be the ultimate destination for lounging.

FRAME CONSTRUCTION

WOOD:

Responsibly harvested engineered hardwood with interlocking glued joints that are corner blocked for durability

SPRINGS:

Heavy gauge wire sinuous springs made of 80% recycled metal

POLY:

All of the foam used in our pieces is CertiPUR-US® certified. None of the foam used in our products contain flame retardants. All of our products are TB117-2013 compliant

CUSHION CONTENT

BACK CUSHION:

Our Plush Back Cushions are made of 100% microfiber. This high end fill provides a resilient back which will help your cushions keep their shape over time. Plush fill is also hypoallergenic and environmentally friendly.

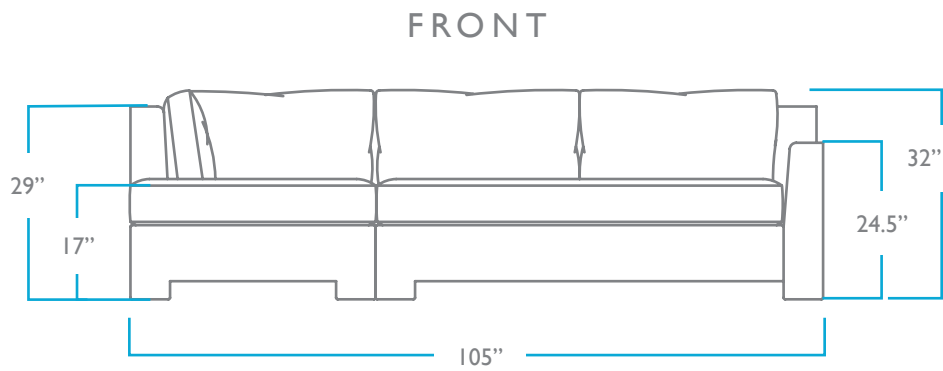
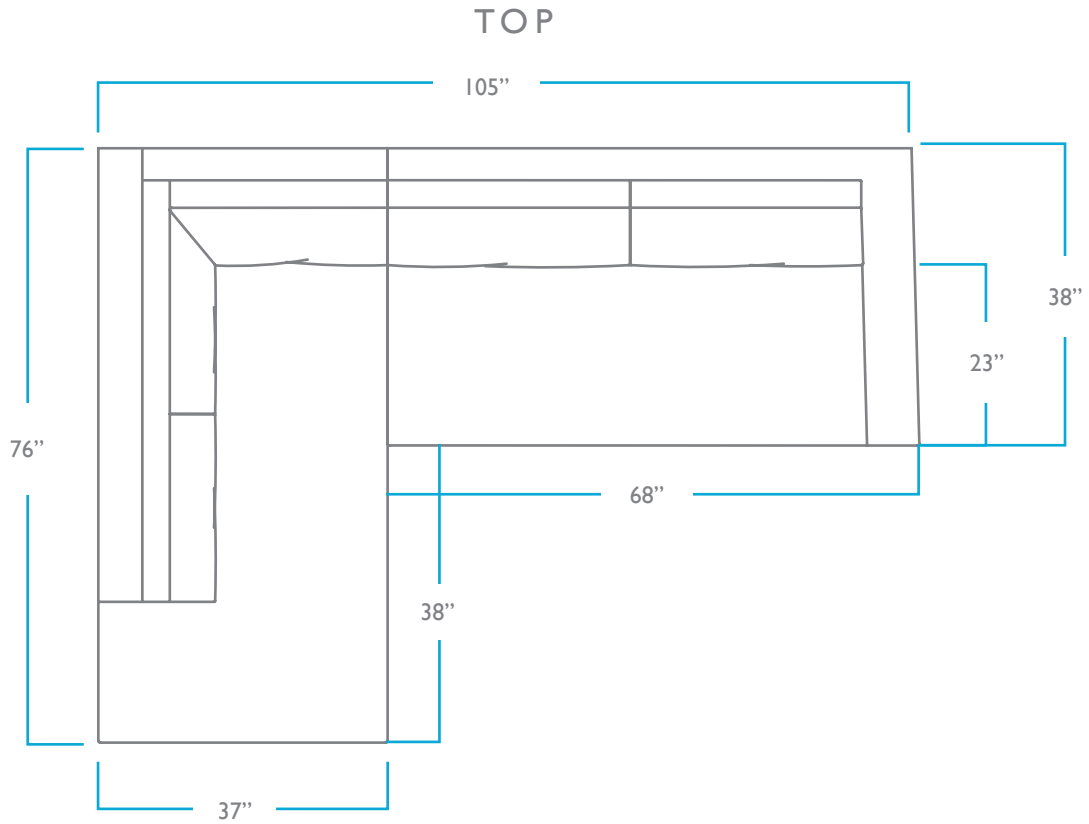
SEAT CUSHION:

Seat cushions feature a high-resilient foam core that is wrapped in a fiber-down blend and sewn into a down-proof ticking.

QUESTIONS?

HELLO@COLEYHOME.COM

980.237.9861



OVERALL

HEIGHT: 32"

WIDTH: 105"

CHAISE LENGTH: 76"

DEPTH: 38"

SEAT

HEIGHT: 17"

DEPTH: 23"

PACK WEIGHT

315 LBS



Maximizing comfort and coziness, the Bryant Sectional is available in several configurations to perfectly fit your needs. Featuring a sleek bench seat and upholstered legs, the Bryant Sectional will be the ultimate destination for lounging.

FRAME CONSTRUCTION

WOOD:

Responsibly harvested engineered hardwood with interlocking glued joints that are corner blocked for durability

SPRINGS:

Heavy gauge wire sinuous springs made of 80% recycled metal

POLY:

All of the foam used in our pieces is CertiPUR-US® certified. None of the foam used in our products contain flame retardants. All of our products are TB117-2013 compliant

CUSHION CONTENT

BACK CUSHION:

Our Plush Back Cushions are made of 100% microfiber. This high end fill provides a resilient back which will help your cushions keep their shape over time. Plush fill is also hypoallergenic and environmentally friendly.

SEAT CUSHION:

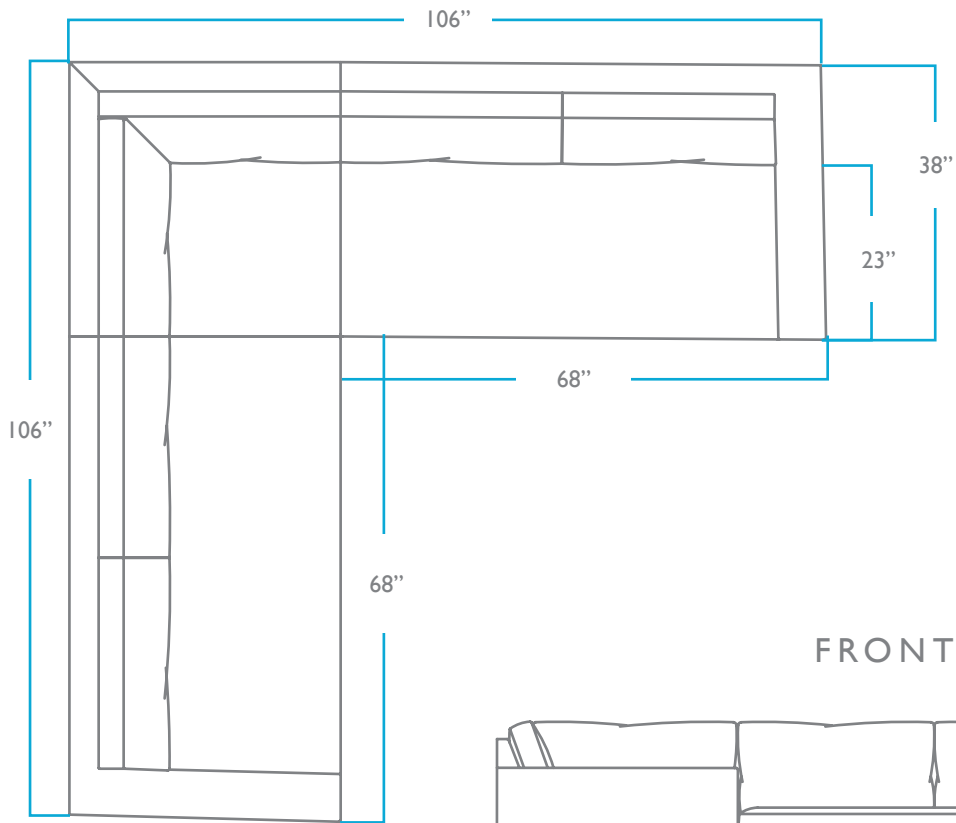
Seat cushions feature a high-resilient foam core that is wrapped in a fiber-down blend and sewn into a down-proof ticking.

QUESTIONS?

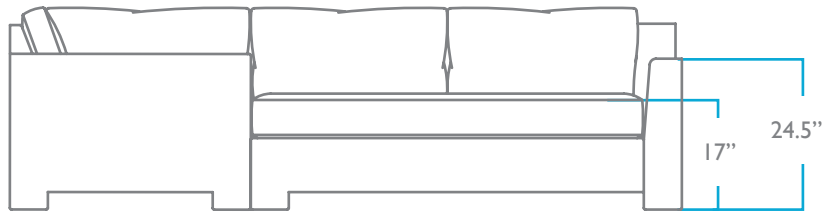
HELLO@COLEYHOME.COM

980.237.9861

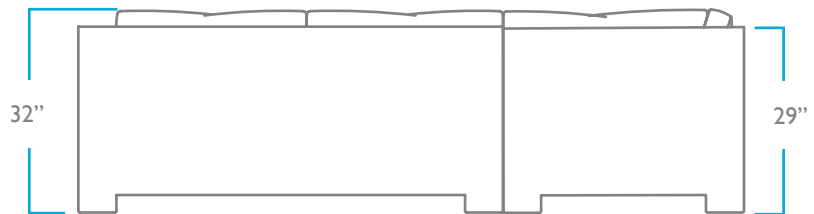
TOP



FRONT



BACK



OVERALL

HEIGHT: 32"

WIDTH: 106"

LENGTH: 106"

DEPTH: 38"

SEAT

HEIGHT: 17"

DEPTH: 23"

PACK WEIGHT

385 LBS



Maximizing comfort and coziness, the Bryant Sectional is available in several configurations to perfectly fit your needs. Featuring a sleek bench seat and upholstered legs, the Bryant Sectional will be the ultimate destination for lounging.

FRAME CONSTRUCTION

WOOD:

Responsibly harvested engineered hardwood with interlocking glued joints that are corner blocked for durability

SPRINGS:

Heavy gauge wire sinuous springs made of 80% recycled metal

POLY:

All of the foam used in our pieces is CertiPUR-US® certified. None of the foam used in our products contain flame retardants. All of our products are TB117-2013 compliant

CUSHION CONTENT

BACK CUSHION:

Our Plush Back Cushions are made of 100% microfiber. This high end fill provides a resilient back which will help your cushions keep their shape over time. Plush fill is also hypoallergenic and environmentally friendly.

SEAT CUSHION:

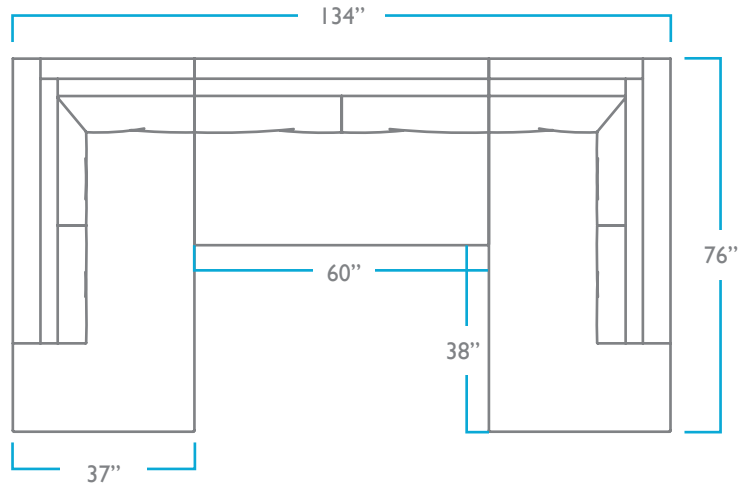
Seat cushions feature a high-resilient foam core that is wrapped in a fiber-down blend and sewn into a down-proof ticking.

QUESTIONS?

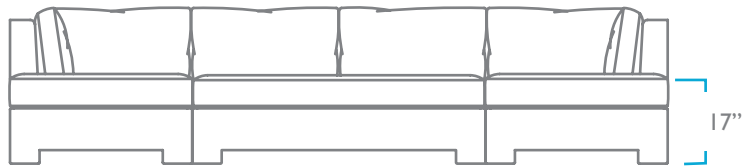
HELLO@COLEYHOME.COM

980.237.9861

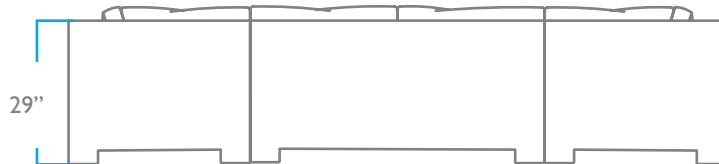
TOP



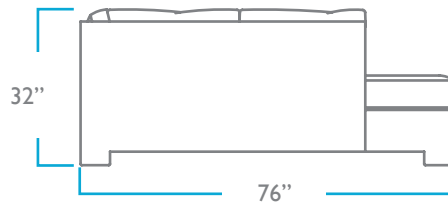
FRONT



BACK



SIDE



OVERALL

HEIGHT: 32"

WIDTH: 134"

CHAISE LENGTH: 76"

DEPTH: 37"

SEAT

HEIGHT: 17"

PACK WEIGHT

460 LBS

This wide track armed chair will be the ultimate cozy destination in your household. The depth paired with the slight curve of the back creates the perfect low-profile, yet high-style lounge chair.

FRAME CONSTRUCTION

WOOD:

Responsibly harvested engineered hardwood with interlocking glued joints that are corner blocked for durability

SPRINGS:

Heavy gauge wire sinuous springs made of 80% recycled metal

POLY:

All of the foam used in our pieces is CertiPUR-US® certified. None of the foam used in our products contain flame retardants. All of our products are TB117-2013 compliant

CUSHION CONTENT

BACK CUSHION:

Our Plush Back Cushions are made of 100% microfiber. This high end fill provides a resilient back which will help your cushions keep their shape over time. Plush fill is also hypoallergenic and environmentally friendly.

SEAT CUSHION:

Seat cushions feature a high-resilient foam core that is wrapped in a fiber-down blend and sewn into a down-proof ticking.

AVAILABLE CUSTOMIZATIONS

SLIPCOVERED

OR UPHOLSTERED

WOOD FINISHES



WALNUT



WEATHERED OAK



SIMPLY WHITE



NATURAL



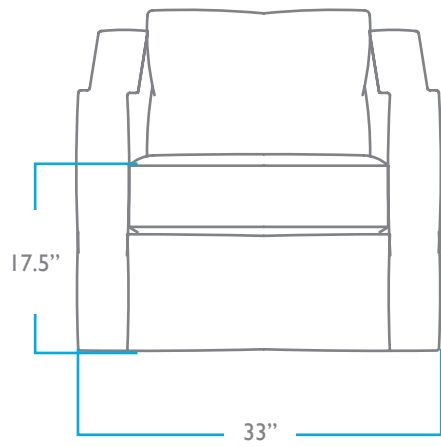
DUNE

QUESTIONS?

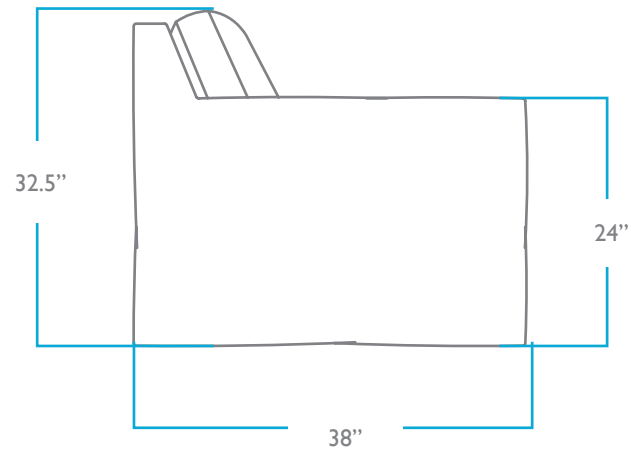
HELLO@COLEYHOME.COM

980.237.9861

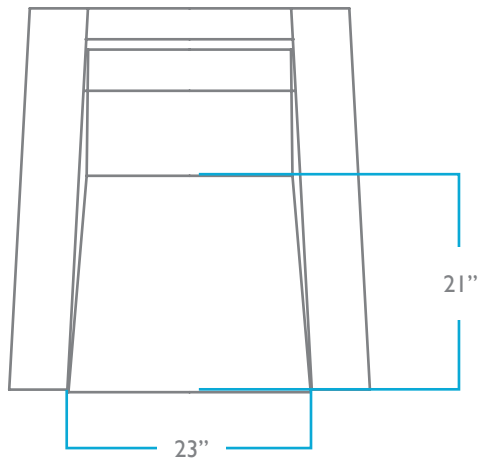
FRONT



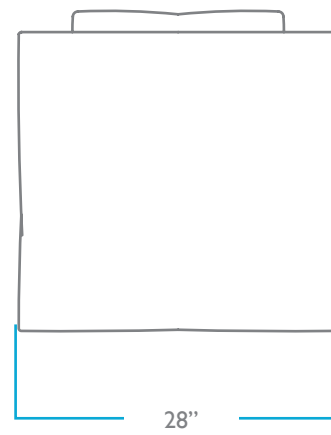
SIDE



TOP



BACK



OVERALL

HEIGHT: 32.5"
WIDTH: 33"
DEPTH: 38"
ARM HEIGHT: 24"

SEAT

HEIGHT: 17.5"
DEPTH: 21"

PACK WEIGHT

85 LBS



The Cab Chaise Sectional is the perfect cross between comfort and style. The chic track arm combined with the modern silhouette make this piece an instant showstopper in your home.

FRAME CONSTRUCTION

WOOD:

Responsibly harvested engineered hardwood with interlocking glued joints that are corner blocked for durability

SPRINGS:

Heavy gauge wire sinuous springs made of 80% recycled metal

POLY:

All of the foam used in our pieces is CertiPUR-US® certified. None of the foam used in our products contain flame retardants. All of our products are TB117-2013 compliant

CUSHION CONTENT

BACK CUSHION:

Our Plush Back Cushions are made of 100% microfiber. This high end fill provides a resilient back which will help your cushions keep their shape over time. Plush fill is also hypoallergenic and environmentally friendly.

SEAT CUSHION:

Seat cushions feature a high-resilient foam core that is wrapped in a fiber-down blend and sewn into a down-proof ticking.

AVAILABLE CUSTOMIZATIONS

SLIPCOVERED
OR UPHOLSTERED

WOOD FINISHES



WALNUT



WEATHERED OAK



SIMPLY WHITE



NATURAL



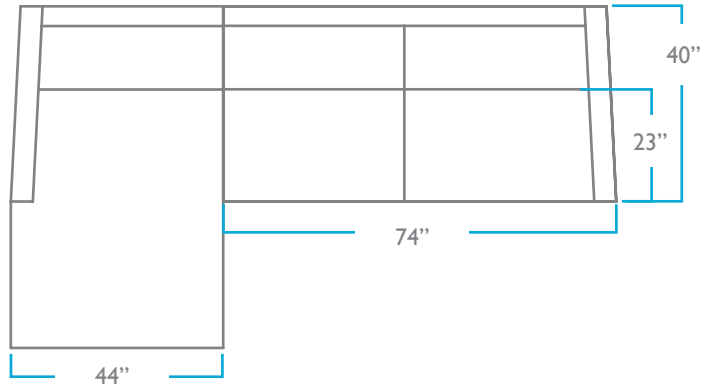
DUNE

QUESTIONS?

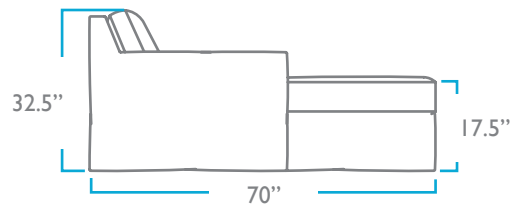
HELLO@COLEYHOME.COM

980.237.9861

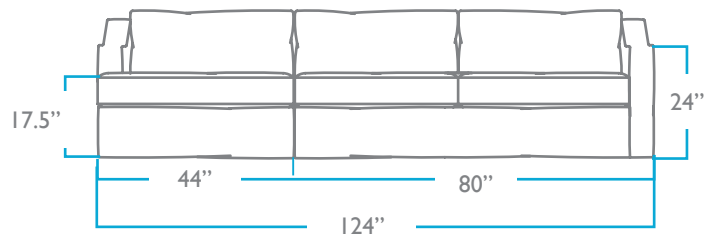
TOP



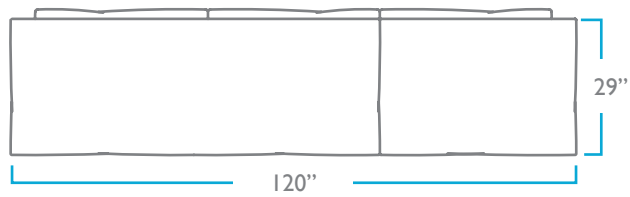
SIDE



FRONT



BACK



OVERALL

HEIGHT: 32.5"

WIDTH: 120"

CHAISE LENGTH: 70"

DEPTH: 40"

SEAT

HEIGHT: 17.5"

DEPTH: 23"

PACK WEIGHT

330 LBS



DESIGN BY
MOLLY PORTNOF

The Cab Corner Sectional is the perfect cross between comfort and style. The chic track arm combined with the modern silhouette make this piece an instant showstopper in your home.

FRAME CONSTRUCTION

WOOD:

Responsibly harvested engineered hardwood with interlocking glued joints that are corner blocked for durability

SPRINGS:

Heavy gauge wire sinuous springs made of 80% recycled metal

POLY:

All of the foam used in our pieces is CertiPUR-US® certified. None of the foam used in our products contain flame retardants. All of our products are TB117-2013 compliant

CUSHION CONTENT

BACK CUSHION:

Our Plush Back Cushions are made of 100% microfiber. This high end fill provides a resilient back which will help your cushions keep their shape over time. Plush fill is also hypoallergenic and environmentally friendly.

SEAT CUSHION:

Seat cushions feature a high-resilient foam core that is wrapped in a fiber-down blend and sewn into a down-proof ticking.

AVAILABLE CUSTOMIZATIONS

SLIPCOVERED
OR UPHOLSTERED

WOOD FINISHES



WALNUT



WEATHERED
OAK



SIMPLY
WHITE



NATURAL

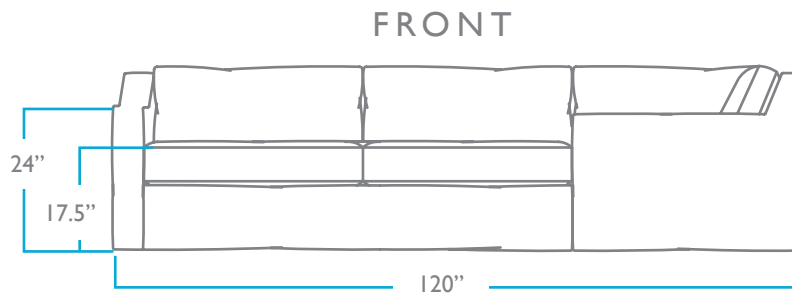
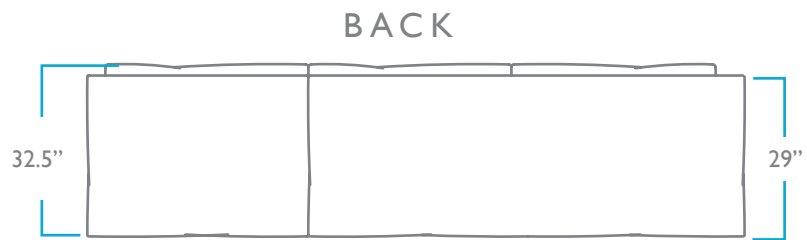
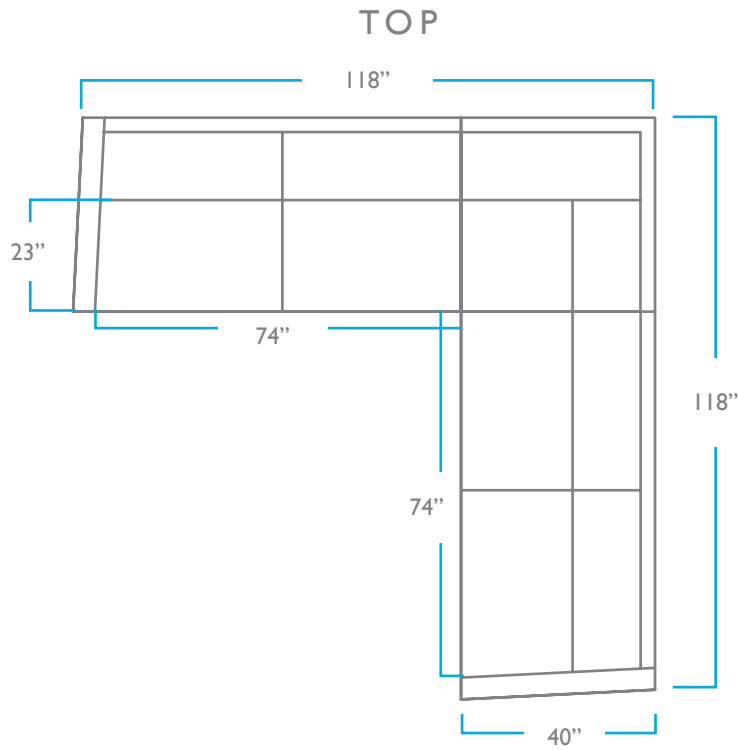


DUNE

QUESTIONS?

HELLO@COLEYHOME.COM

980.237.9861



OVERALL

HEIGHT: 32.5"
 WIDTH: 118"
 LENGTH: 118"
 DEPTH: 40"

SEAT

HEIGHT: 17.5"
 DEPTH: 23"

PACK WEIGHT

395 LBS

Easily converted into a spacious double-bed, this wide track arm sofa will be the ultimate cozy destination in your household. Both beautiful and convenient, the depth paired with the slight curve of the back creates the perfect low-profile, yet high-style sofa.

FRAME CONSTRUCTION

WOOD:

Responsibly harvested engineered hardwood with interlocking glued joints that are corner blocked for durability

SPRINGS:

Heavy gauge wire sinuous springs made of 80% recycled metal

POLY:

All of the foam used in our pieces is CertiPUR-US® certified. None of the foam used in our products contain flame retardants. All of our products are TB117-2013 compliant

CUSHION CONTENT

BACK CUSHION:

Our Plush Back Cushions are made of 100% microfiber. This high end fill provides a resilient back which will help your cushions keep their shape over time. Plush fill is also hypoallergenic and environmentally friendly.

SEAT CUSHION:

Seat cushions feature a high-resilient foam core that is wrapped in a fiber-down blend and sewn into a down-proof ticking.

AVAILABLE CUSTOMIZATIONS

SLIPCOVERED

OR UPHOLSTERED

WOOD FINISHES



WALNUT



WEATHERED OAK



SIMPLY WHITE



NATURAL



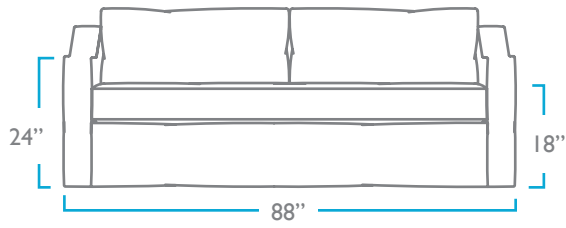
DUNE

QUESTIONS?

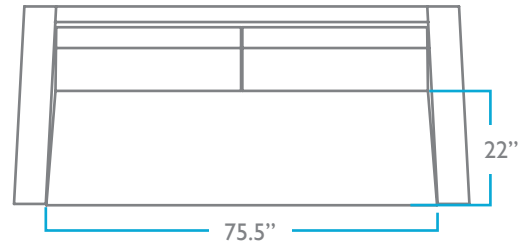
HELLO@COLEYHOME.COM

980.237.9861

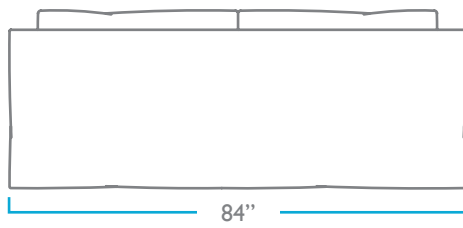
FRONT



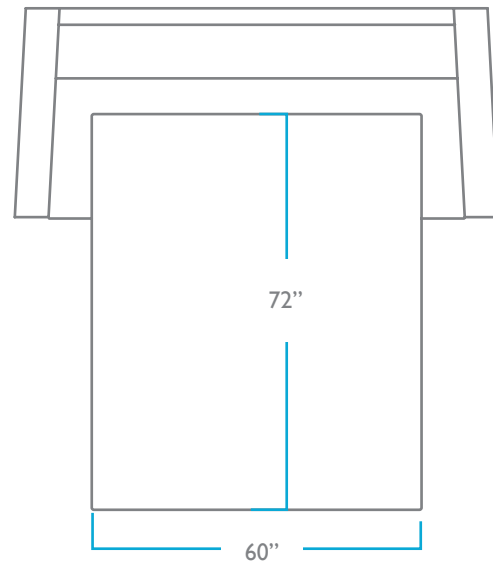
TOP



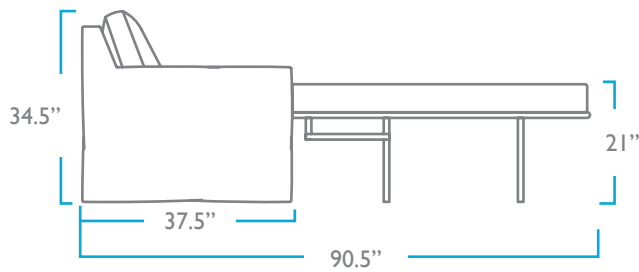
BACK



TOP WITH PULL OUT



SIDE



OVERALL

HEIGHT: 32"

WIDTH: 88"

LENGTH: 90.5"

DEPTH: 37.5"

SEAT

HEIGHT: 18"

DEPTH: 22"

PACK WEIGHT

230 LBS



This wide track armed sofa will be the ultimate cozy destination in your household. The depth paired with the slight curve of the back creates the perfect low-profile, yet high-style sofa. Available slipcovered or upholstered.

FRAME CONSTRUCTION

WOOD:

Responsibly harvested engineered hardwood with interlocking glued joints that are corner blocked for durability

SPRINGS:

Heavy gauge wire sinuous springs made of 80% recycled metal

POLY:

All of the foam used in our pieces is CertiPUR-US® certified. None of the foam used in our products contain flame retardants. All of our products are TB117-2013 compliant

CUSHION CONTENT

BACK CUSHION:

Our Plush Back Cushions are made of 100% microfiber. This high end fill provides a resilient back which will help your cushions keep their shape over time. Plush fill is also hypoallergenic and environmentally friendly.

SEAT CUSHION:

Seat cushions feature a high-resilient foam core that is wrapped in a fiber-down blend and sewn into a down-proof ticking.

AVAILABLE CUSTOMIZATIONS

SLIPCOVERED
OR UPHOLSTERED

WOOD FINISHES



WALNUT



WEATHERED OAK



SIMPLY WHITE



NATURAL



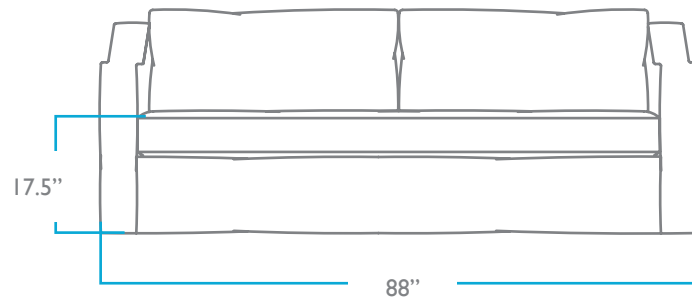
DUNE

QUESTIONS?

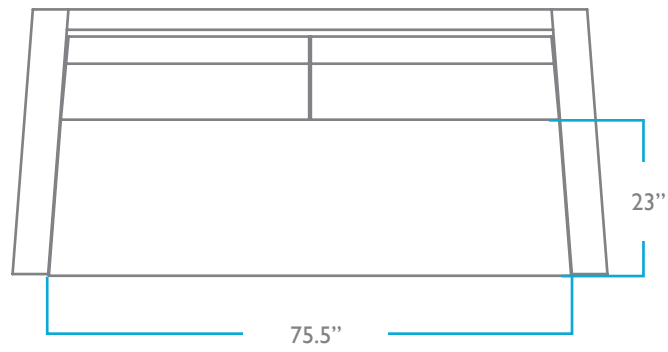
HELLO@COLEYHOME.COM

980.237.9861

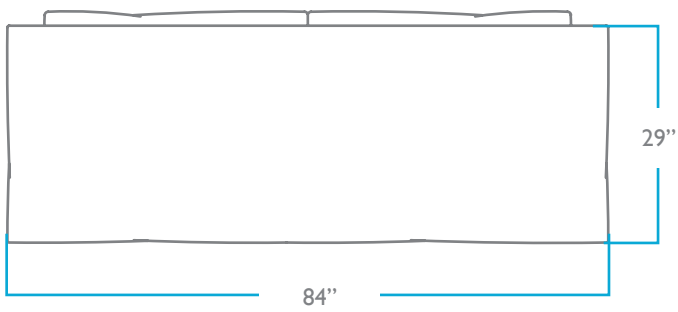
FRONT



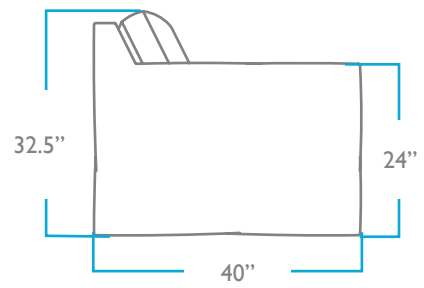
TOP



BACK



SIDE



OVERALL

HEIGHT: 32.5"

WIDTH: 88"

DEPTH: 40"

SEAT

HEIGHT: 17.5"

DEPTH: 23"

PACK WEIGHT

165 LBS



Add a dose of elegance to your kitchen counter with the Camden Counter Stool. The gentle curved and comfortable arms are highlighted with beautiful welt detail, offering opportunities for customization. The classic oak base is available in five different finishes and features a substantial footrest, maximizing comfort.

FRAME CONSTRUCTION

WOOD:

Responsibly harvested engineered hardwood with interlocking glued joints that are corner blocked for durability

SPRINGS:

Supportive, durable elastic webbed base

POLY:

All of the foam used in our pieces is CertiPUR-US® certified. None of the foam used in our products contain flame retardants. All of our products are TB117-2013 compliant

AVAILABLE CUSTOMIZATIONS

CONTRAST WELT

WOOD FINISHES



WALNUT



WEATHERED OAK



SIMPLY WHITE



NATURAL



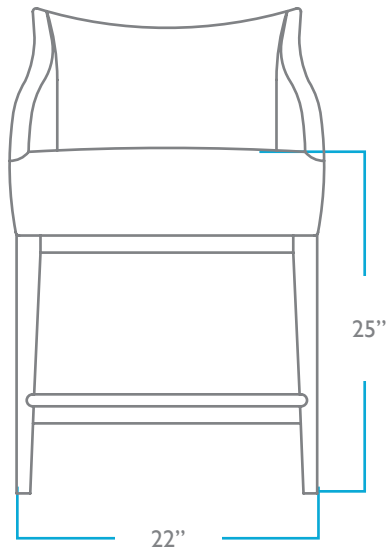
DUNE

QUESTIONS?

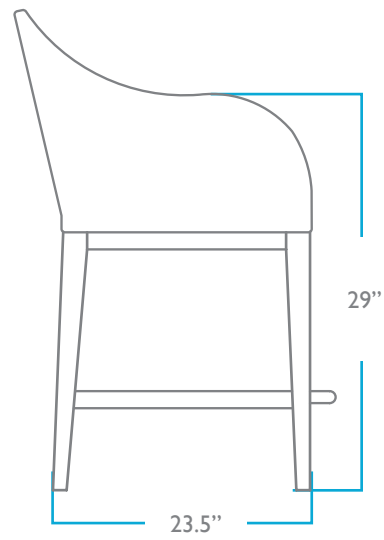
HELLO@COLEYHOME.COM

980.237.9861

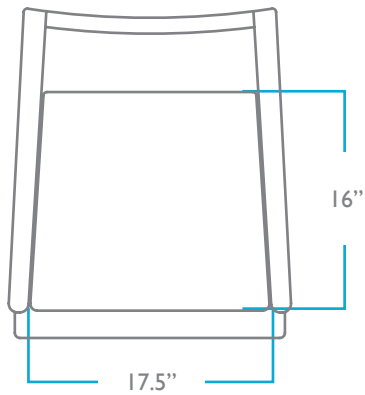
FRONT



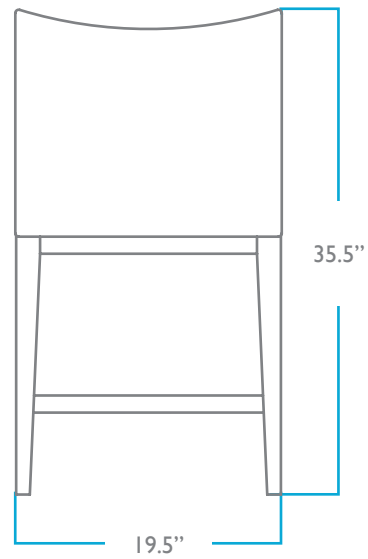
SIDE



TOP



BACK



OVERALL

HEIGHT: 35.5"
WIDTH: 22"
DEPTH: 23.5"
ARM HEIGHT: 29"

SEAT

HEIGHT: 25"
DEPTH: 16"

PACK WEIGHT

35 LBS



Undeniably sophisticated, the Camden features gentle sloping arms and an elegantly curved back detail. Inviting plush seat cushions will envelope your guests in comfort throughout the entire dinner party. Available in a tailored style with welt detail, or available slipcovered for easy maintenance.

FRAME CONSTRUCTION

WOOD:

Responsibly harvested engineered hardwood with interlocking glued joints that are corner blocked for durability

SPRINGS:

Supportive, durable elastic webbed base

POLY:

All of the foam used in our pieces is CertiPUR-US® certified. None of the foam used in our products contain flame retardants. All of our products are TBI 17-2013 compliant

MOVEMENT:

Castors

AVAILABLE CUSTOMIZATIONS

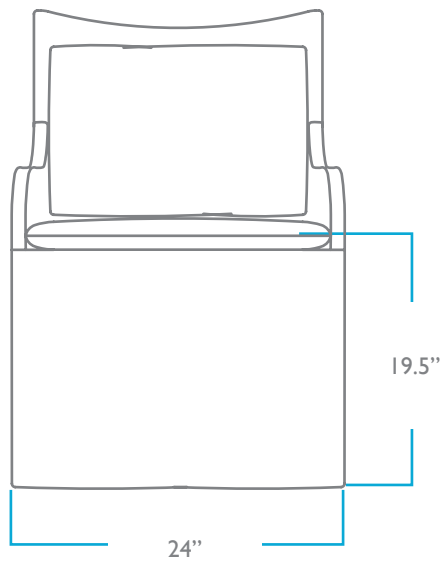
CONTRAST WELT

QUESTIONS?

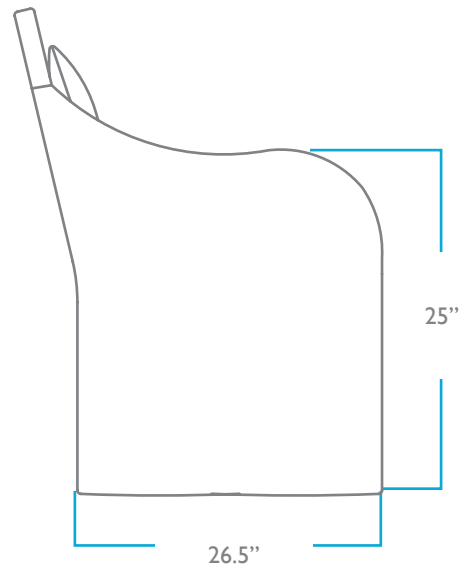
HELLO@COLEYHOME.COM

980.237.9861

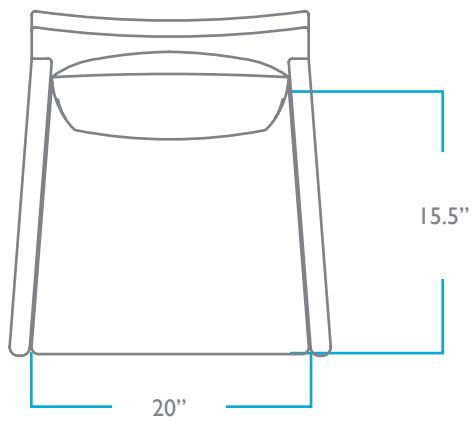
FRONT



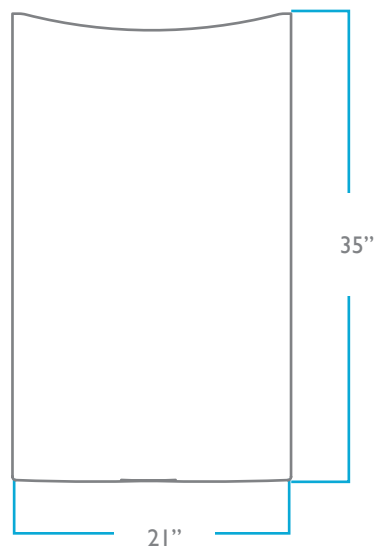
SIDE



TOP



BACK



OVERALL

HEIGHT: 35"

WIDTH: 24"

DEPTH: 25"

ARM HEIGHT: 25"

SEAT

HEIGHT: 19,5"

DEPTH: 15.5"

PACK WEIGHT

35 LBS



A dramatic statement for the most sophisticated bedrooms, the Canopy Bed is a showstopper. A scalloped edge on the canopy adds whimsical elegance. For an added wow-moment, select a contrasting interior fabric to enhance the design.

FRAME CONSTRUCTION

WOOD:

Responsibly harvested engineered hardwood with interlocking glued joints that are corner blocked for durability

POLY:

All of the foam used in our pieces is CertiPUR-US® certified. None of the foam used in our products contain flame retardants. All of our products are TB117-2013 compliant

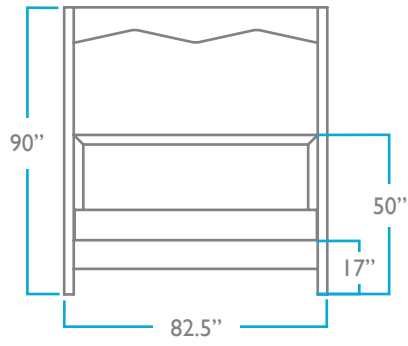
AVAILABLE CUSTOMIZATIONS

CONTRAST INTERIOR CANOPY
CONTRAST WELT

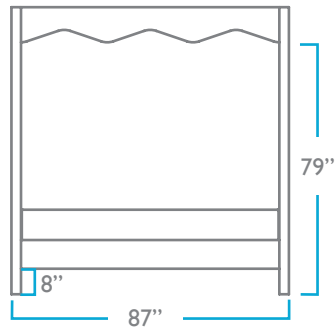
QUESTIONS?

HELLO@COLEYHOME.COM
980.237.9861

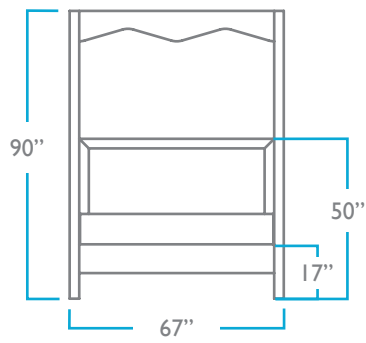
KING - FRONT



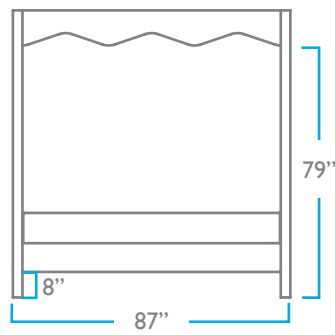
KING - SIDE



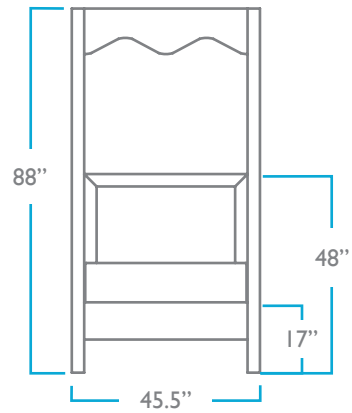
QUEEN - FRONT



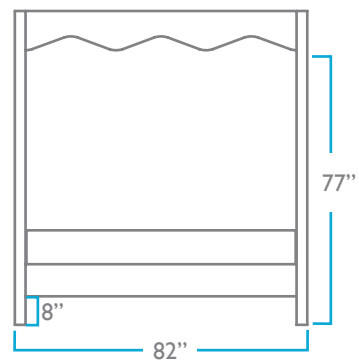
QUEEN - SIDE



TWIN - FRONT



TWIN - SIDE



OVERALL

KING & QUEEN HEIGHT: 90"

TWIN HEIGHT: 88"

KING & QUEEN WIDTH: 87"

TWIN WIDTH: 82"

PACK WEIGHT

KING: 345 LBS

QUEEN: 341 LBS

TWIN: 300 LBS



The Charli Swivel surrounds you in comfort with its chic, curved silhouette and rounded arms. The swivel base makes it the perfect living room or den chair, while the welt detail provides opportunities for customization.

FRAME CONSTRUCTION

WOOD:

Responsibly harvested engineered hardwood with interlocking glued joints that are corner blocked for durability

SPRINGS:

Heavy gauge wire sinuous springs made of 80% recycled metal

POLY:

All of the foam used in our pieces is CertiPUR-US® certified. None of the foam used in our products contain flame retardants. All of our products are TB117-2013 compliant

MOVEMENT:

360° Swivel

CUSHION CONTENT

SEAT CUSHION:

Seat cushions feature a high-resilient foam core that is wrapped in a fiber-down blend and sewn into a down-proof ticking.

AVAILABLE CUSTOMIZATIONS

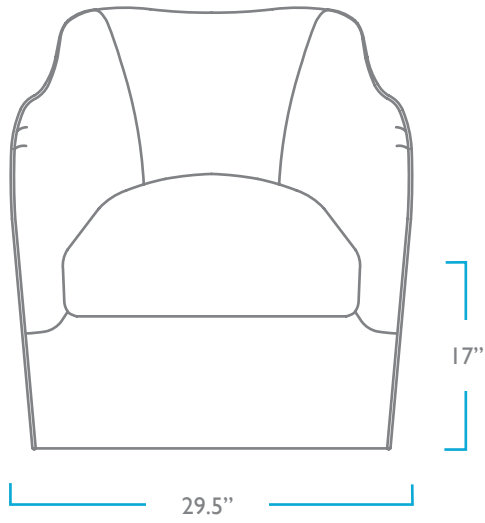
CONTRAST WELT

QUESTIONS?

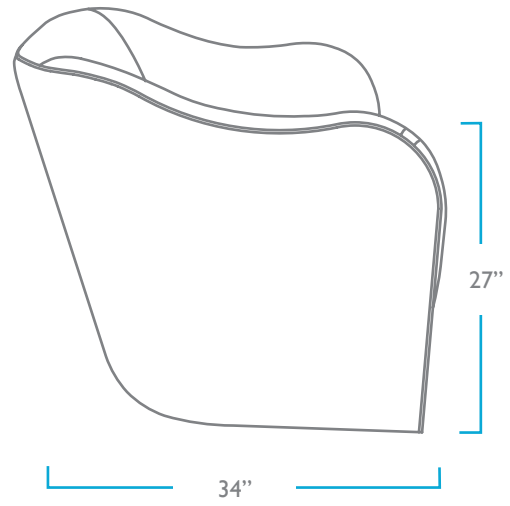
HELLO@COLEYHOME.COM

980.237.9861

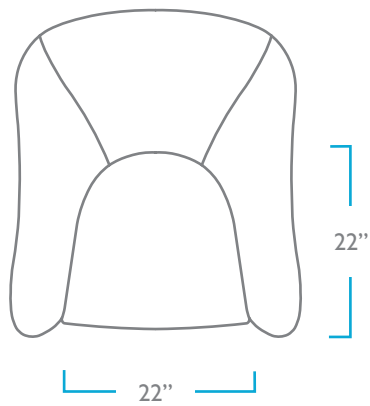
FRONT



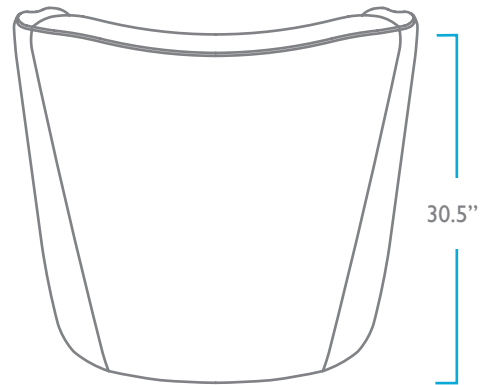
SIDE



TOP



BACK



OVERALL

HEIGHT: 30.5"
WIDTH: 29.5"
DEPTH: 34"
ARM HEIGHT: 27"

SEAT

HEIGHT: 17"
DEPTH: 22"

PACK WEIGHT

75 LBS



Available in seven stylish shapes, the Claremont Bed Collection features highly customizable hardwood platform beds that will be a stylish foundation for any bedroom. Choose your headboard shape, main bed fabric, welt fabric, or even contrast the edge. Finish the look with one of our five hand-stained oak leg finishes.

FRAME CONSTRUCTION

WOOD:

Responsibly harvested engineered hardwood with interlocking glued joints that are corner blocked for durability

POLY:

All of the foam used in our pieces is CertiPUR-US® certified. None of the foam used in our products contain flame retardants. All of our products are TB117-2013 compliant

AVAILABLE CUSTOMIZATIONS

CONTRAST WELT

WOOD FINISHES



WALNUT



WEATHERED OAK



SIMPLY WHITE



NATURAL



DUNE

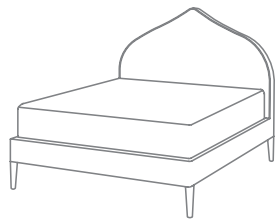
QUESTIONS?

HELLO@COLEYHOME.COM

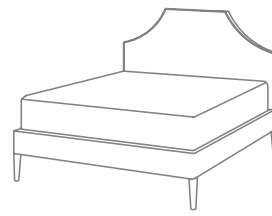
980.237.9861



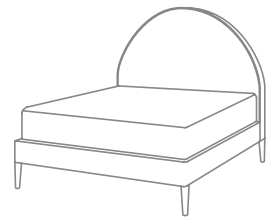
CHARLES



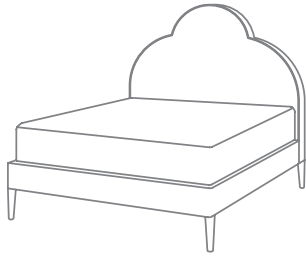
CHARLOTTE



GEORGIA



HUDSON



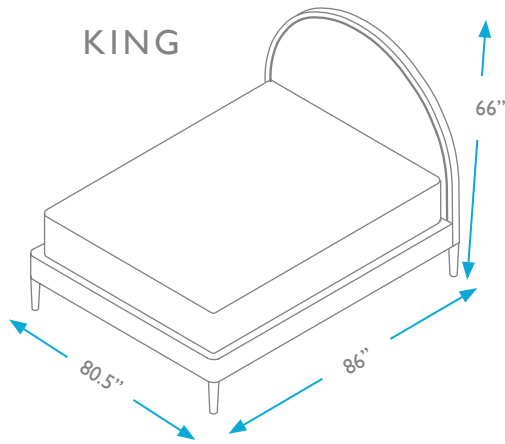
KATE



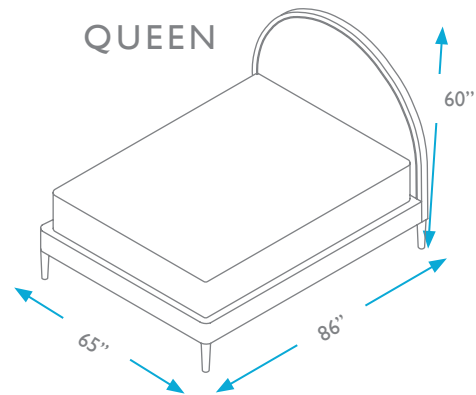
MONARCH



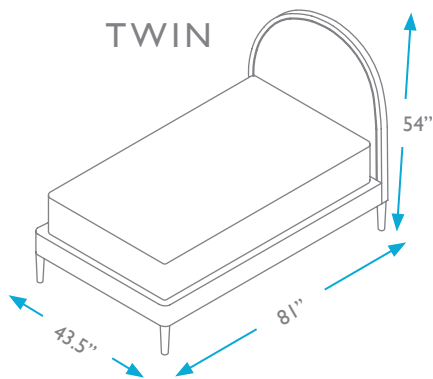
WHITBY



KING



QUEEN



TWIN



SIDE

PACK WEIGHT

KING: 175 LBS

QUEEN: 170 LBS

TWIN: 160 LBS



Streamlined yet comfortable, the Cooper Counter Stool is a stylish staple for the kitchen. We offer five choices of oak finishes for the base, which also features a classic brass footrest.

FRAME CONSTRUCTION

WOOD:

Responsibly harvested engineered hardwood with interlocking glued joints that are corner blocked for durability

SPRINGS:

Supportive, durable elastic webbed base

POLY:

All of the foam used in our pieces is CertiPUR-US® certified. None of the foam used in our products contain flame retardants. All of our products are TBI 17-2013 compliant

WOOD FINISHES



WALNUT



WEATHERED OAK



SIMPLY WHITE



NATURAL



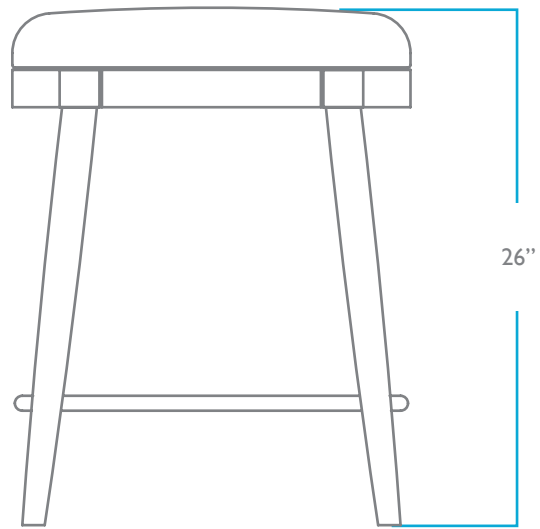
DUNE

QUESTIONS?

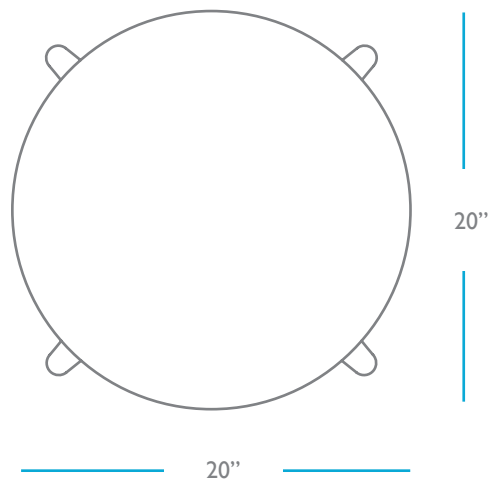
HELLO@COLEYHOME.COM

980.237.9861

SIDE



TOP



OVERALL
HEIGHT: 26"
WIDTH: 20"

PACK WEIGHT
35 LBS



The petite Crosby Chair does it all! Our Crosby is perfect for small rooms or apartments and also makes a striking side chair in larger spaces. The subtle winged back adds a stylish flair, while the wooden legs give it mid century sophistication. Add a contrast outback for a more custom look.

FRAME CONSTRUCTION

WOOD:

Responsibly harvested engineered hardwood with interlocking glued joints that are corner blocked for durability

SPRINGS:

Supportive, durable elastic webbed base

POLY:

All of the foam used in our pieces is CertiPUR-US® certified. None of the foam used in our products contain flame retardants. All of our products are TBI 17-2013 compliant

AVAILABLE CUSTOMIZATIONS

CONTRAST OUTBACK

CONTRAST SEAT WELT

WOOD FINISHES



WALNUT



WEATHERED OAK



SIMPLY WHITE



NATURAL



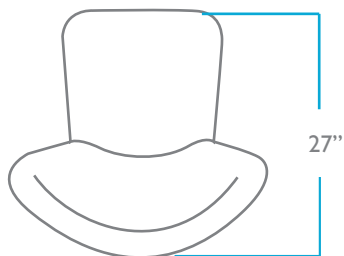
DUNE

QUESTIONS?

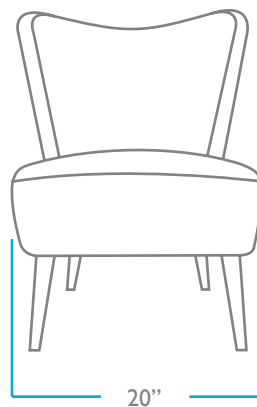
HELLO@COLEYHOME.COM

980.237.9861

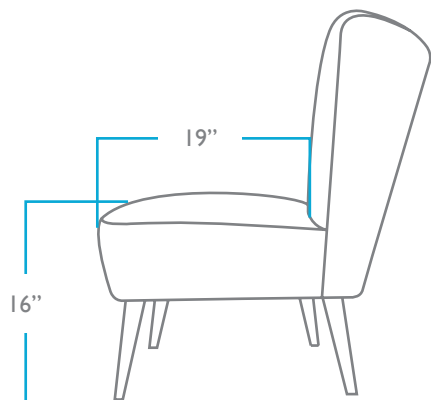
TOP



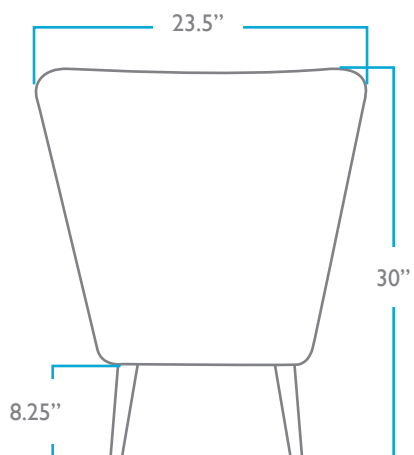
FRONT



SIDE



BACK



OVERALL

HEIGHT: 30"

WIDTH: 20"

DEPTH: 27"

SEAT

HEIGHT: 16"

DEPTH: 19"

PACK WEIGHT

30 LBS



Our Crown Bed features a 100% foam slipcovered headboard and fully upholstered platform bed frame. Our patent-pending technology brings style and design to your home quickly. Say “so long” to long lead times, expensive moving services, and complicated setup instructions.

FRAME CONSTRUCTION

HEADBOARD:

Our slipcovered headboard is made of 100% CertiPUR-US® foam. It does not attach to the bed frame.

BED FRAME:

Our Crown Bed Frame is fully upholstered platform frame made with responsibly harvested engineered hardwoods. The bed frame features two sets of slats, comprised of engineered hardwood beams encased in a protective fabric cover.

AVAILABLE CUSTOMIZATIONS

CONTRAST WELT

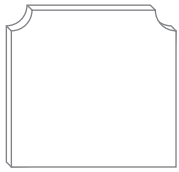
WOOD FINISHES



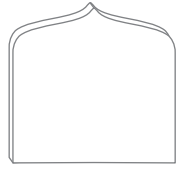
WALNUT WEATHERED OAK SIMPLY WHITE NATURAL DUNE

QUESTIONS?

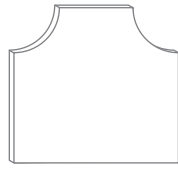
HELLO@COLEYHOME.COM
980.237.9861



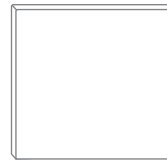
Charles



Charlotte



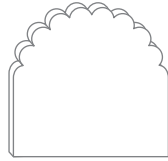
Georgia



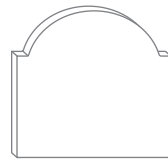
Henry



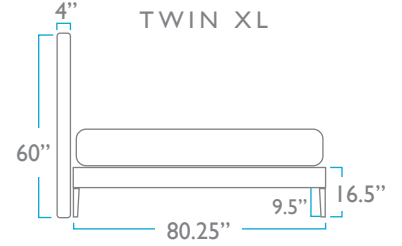
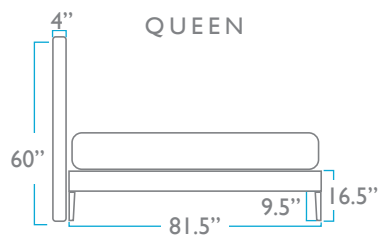
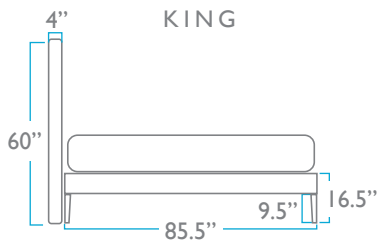
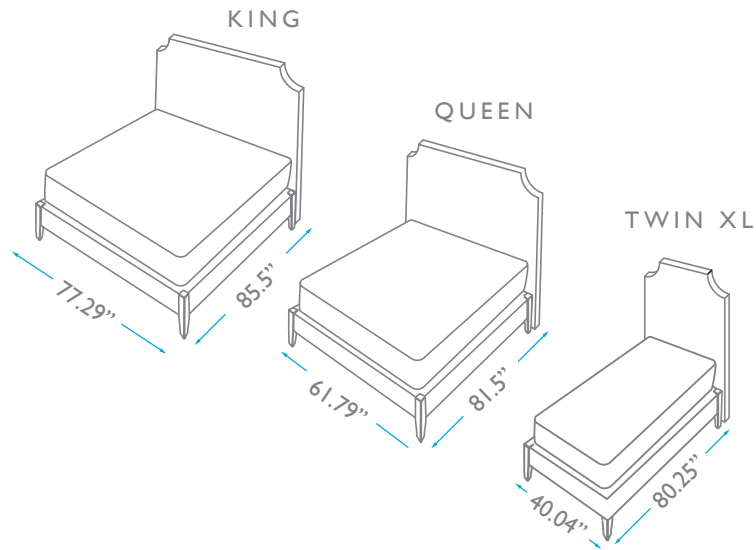
Kate



Monarch



Whitby



PACK WEIGHT

KING: 165 LBS

QUEEN: 135 LBS

TWIN XL: 125 LBS



DESIGN BY
HANNAH OZBURN

Our custom headboard is made of durable foam and covered in a custom slipcover. Design possibilities are endless with our six different shapes and 70+ fabrics. For additional customization, add a contrast welt to your design. Our headboard arrives at your door compressed in a manageable box. Because our headboard is 100% foam and does not attach to the bed frame, it is compatible with most standard bed frames when placed directly against the wall.

FRAME CONSTRUCTION

HEADBOARD:

Our slipcovered headboard is made of 100% CertiPUR-US® foam. It does not attach to the bed frame.

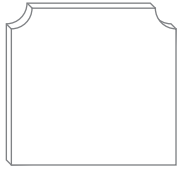
AVAILABLE CUSTOMIZATIONS

CONTRAST WELT

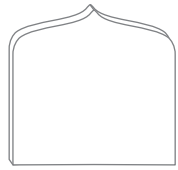
QUESTIONS?

HELLO@COLEYHOME.COM

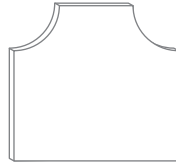
980.237.9861



Charles



Charlotte



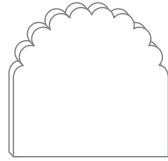
Georgia



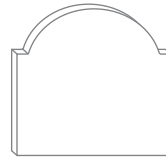
Henry



Kate

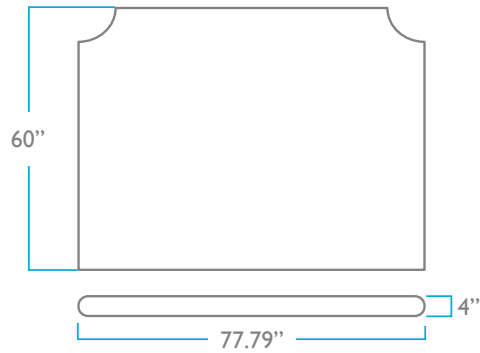


Monarch

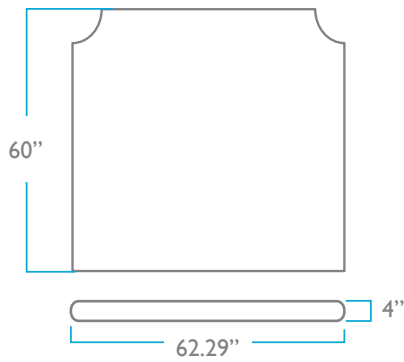


Whitby

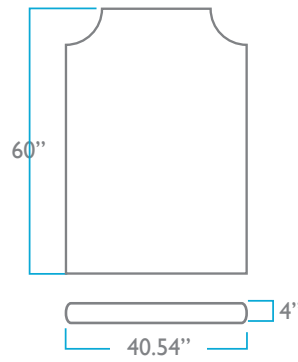
KING



QUEEN



TWIN



PACK WEIGHT

KING: 35 LBS

QUEEN: 30 LBS

TWIN: 25 LBS



Our cubes provide a plush, comfortable extra seat and a playful accent for the bedroom or playroom. A petite version of Harper Bench, the cube has a lightweight but dense foam base. Slide it under the Porter bedside table for an easy, compact vanity. Choose between the tailored upholstered style or the breezy slipcovered style.

FRAME CONSTRUCTION

POLY:

All of the foam used in our pieces is CertiPUR-US® certified. None of the foam used in our products contain flame retardants. All of our products are TBI 17-2013 compliant

AVAILABLE CUSTOMIZATIONS

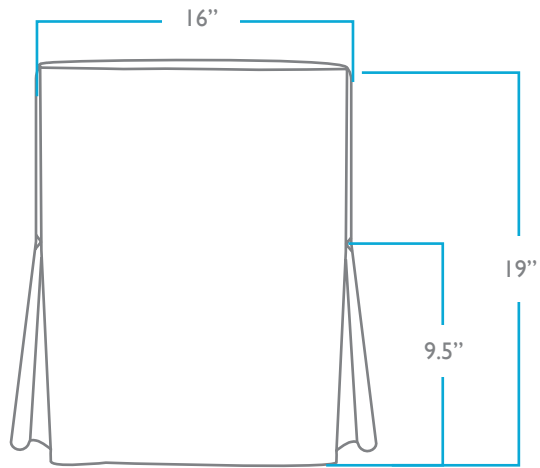
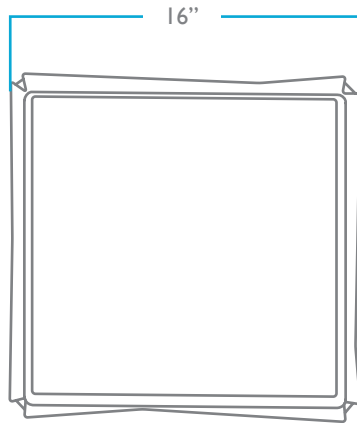
SLIPCOVERED

OR UPHOLSTERED

QUESTIONS?

HELLO@COLEYHOME.COM

980.237.9861



OVERALL
HEIGHT: 19"
WIDTH: 16"

PACK WEIGHT
10 LBS



The Dakota Dining Chair adds modern sophistication to your dining table. Featuring its beautifully curved back for the ultimate comfort, this Dining Chair is sure to be a crowd pleaser. Available in 90+ fabrics and our five hand-stained oak leg finishes. Add a contrast welt for a completely unique look.

FRAME CONSTRUCTION

WOOD:

Responsibly harvested engineered hardwood with interlocking glued joints that are corner blocked for durability

SPRINGS:

Supportive, durable elastic webbed base

POLY:

All of the foam used in our pieces is CertiPUR-US® certified. None of the foam used in our products contain flame retardants. All of our products are TB117-2013 compliant

AVAILABLE CUSTOMIZATIONS

CONTRAST WELT

WOOD FINISHES



WALNUT



WEATHERED OAK



SIMPLY WHITE



NATURAL



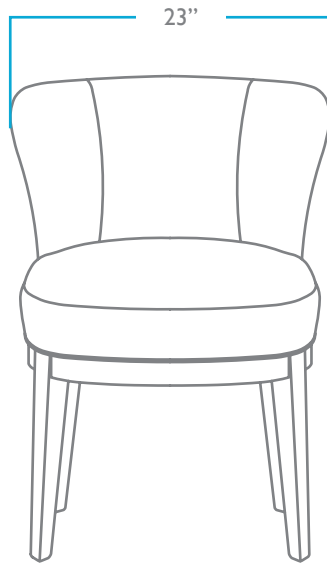
DUNE

QUESTIONS?

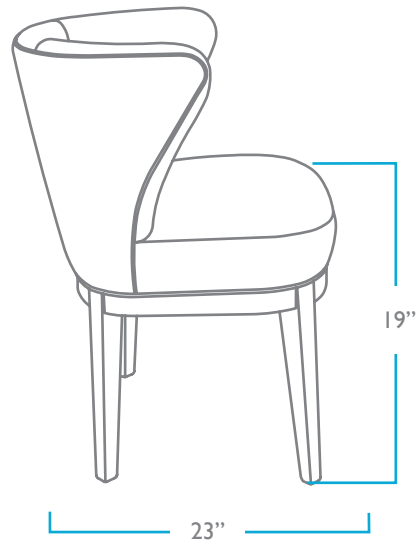
HELLO@COLEYHOME.COM

980.237.9861

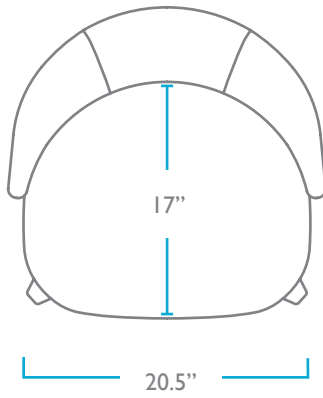
FRONT



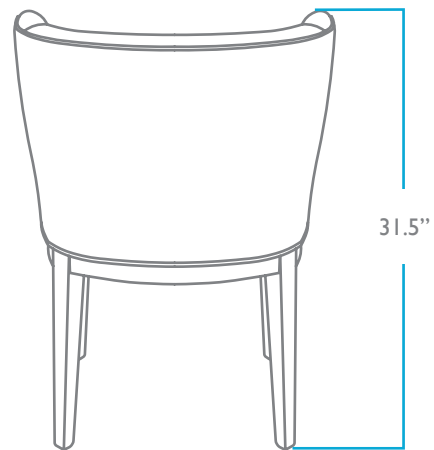
SIDE



TOP



BACK



OVERALL

HEIGHT: 31.5"

WIDTH: 23"

DEPTH: 23"

SEAT

HEIGHT: 19"

DEPTH: 17"

PACK WEIGHT

35 LBS



What big kid bedroom dreams are made of! Our daybed is a playful addition to a nursery, bedroom, or playroom. Add a contrast welt for a cheerful pop of color:

FRAME CONSTRUCTION

WOOD:

Responsibly harvested engineered hardwood with interlocking glued joints that are corner blocked for durability

SPRINGS:

Heavy gauge wire sinuous springs made of 80% recycled metal

POLY:

All of the foam used in our pieces is CertiPUR-US® certified. None of the foam used in our products contain flame retardants. All of our products are TB117-2013 compliant

WOOD FINISHES



WALNUT



WEATHERED OAK



SIMPLY WHITE



NATURAL



DUNE

CUSHION CONTENT

SEAT CUSHION:

Seat cushions feature a high-resilient foam core that is wrapped in fiber and sewn into a down-proof ticking.

AVAILABLE CUSTOMIZATIONS

WITH OR WITHOUT CUSHION

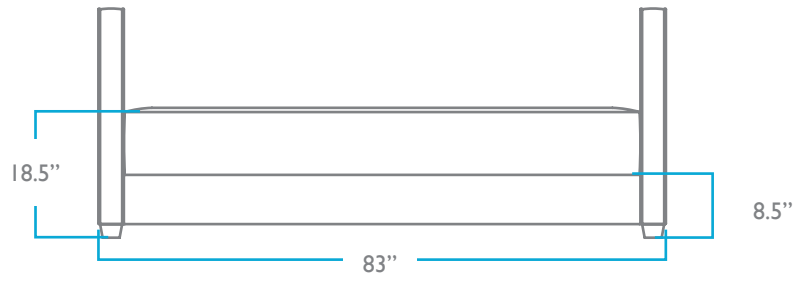
CONTRAST WELT

QUESTIONS?

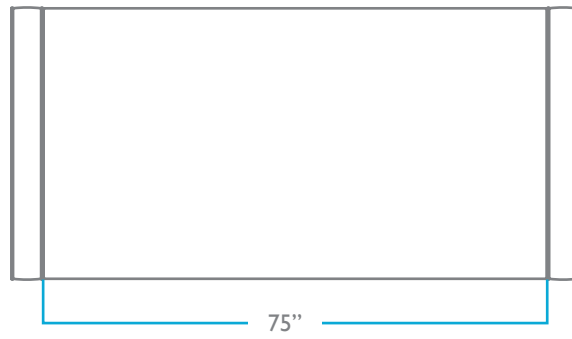
HELLO@COLEYHOME.COM

980.237.9861

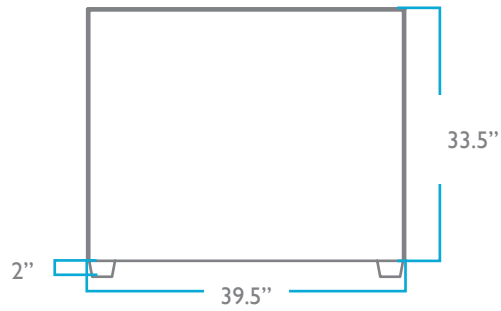
FRONT



TOP



SIDE



OVERALL

HEIGHT: 33.5"

WIDTH: 83"

DEPTH: 39.5"

SEAT

HEIGHT: 18.5"

PACK WEIGHT

137 LBS



A petite, vintage style chair that packs a punch, the Dibs chair is a showstopper. The winged back adds a touch of style, and we especially love it in a wild print! Add contrast welt to create a perfectly unique look.

FRAME CONSTRUCTION

WOOD:

Responsibly harvested engineered hardwood with interlocking glued joints that are corner blocked for durability

SPRINGS:

Supportive, durable elastic webbed base

POLY:

All of the foam used in our pieces is CertiPUR-US® certified. None of the foam used in our products contain flame retardants. All of our products are TBI 17-2013 compliant

CUSHION CONTENT

SEAT CUSHION:

Seat cushions feature a high-resilient foam core that is wrapped in a fiber-down blend and sewn into a down-proof ticking.

AVAILABLE CUSTOMIZATIONS

CONTRAST WELT

WOOD FINISHES



WALNUT



WEATHERED OAK



SIMPLY WHITE



NATURAL



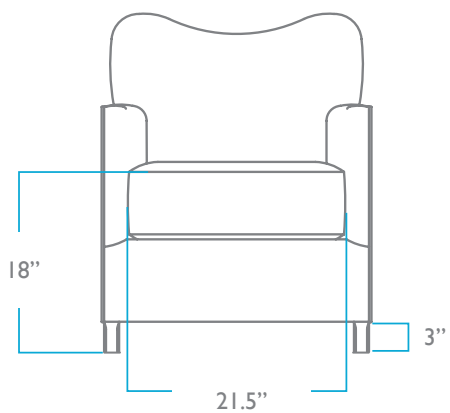
DUNE

QUESTIONS?

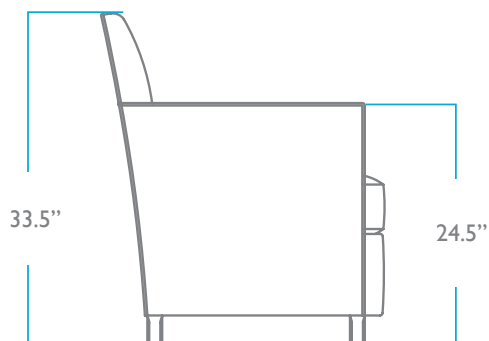
HELLO@COLEYHOME.COM

980.237.9861

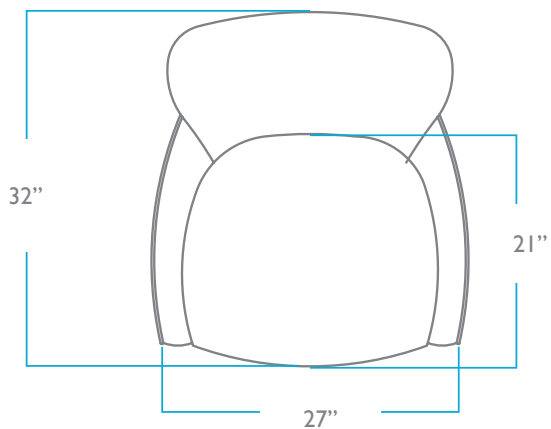
FRONT



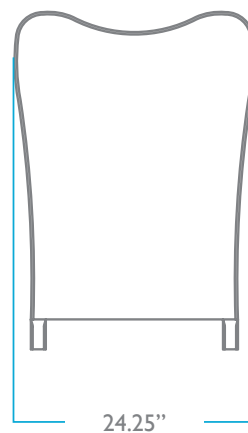
SIDE



TOP



BACK



OVERALL

HEIGHT: 33.5"

WIDTH: 27"

DEPTH: 32"

ARM HEIGHT: 24.5"

SEAT

HEIGHT: 18"

DEPTH: 21"

PACK WEIGHT

55 LBS



A petite, vintage-style chair that packs a punch, the Dibs Swivel is a showstopper. The winged back adds a touch of style, and we especially love it in a wild print! Add contrast welt to create a completely unique look.

FRAME CONSTRUCTION

WOOD:

Responsibly harvested engineered hardwood with interlocking glued joints that are corner blocked for durability

SPRINGS:

Supportive, durable elastic webbed base

POLY:

All of the foam used in our pieces is CertiPUR-US® certified. None of the foam used in our products contain flame retardants. All of our products are TBI 17-2013 compliant

CUSHION CONTENT

SEAT CUSHION:

Seat cushions feature a high-resilient foam core that is wrapped in a fiber-down blend and sewn into a down-proof ticking.

AVAILABLE CUSTOMIZATIONS

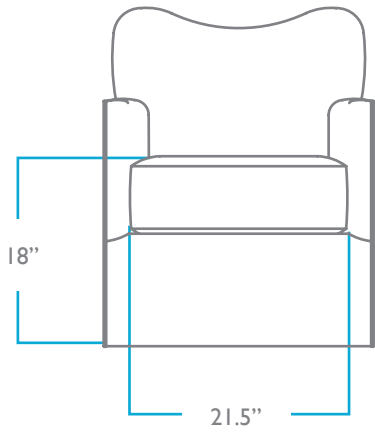
CONTRAST WELT

QUESTIONS?

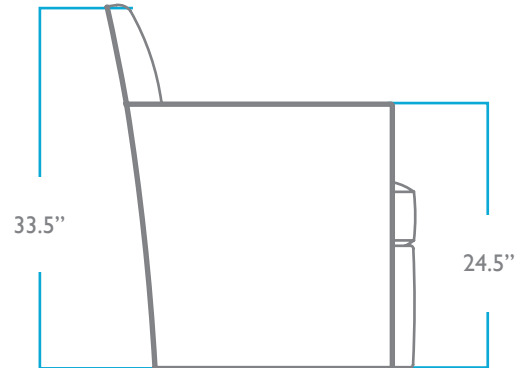
HELLO@COLEYHOME.COM

980.237.9861

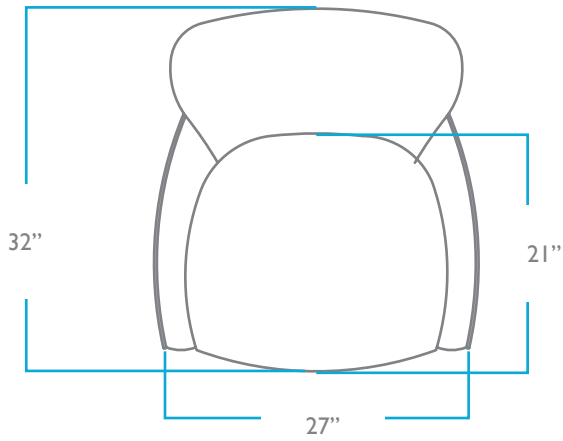
FRONT



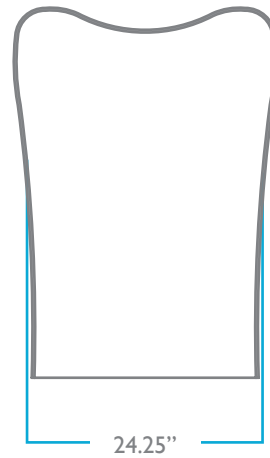
SIDE



TOP



BACK



OVERALL

HEIGHT: 33.5"

WIDTH: 27"

DEPTH: 32"

ARM HEIGHT: 24.5"

SEAT

HEIGHT: 18"

DEPTH: 21"

PACK WEIGHT

75 LBS



Beautifully tailored with a dressmaker skirt, the Eleanor Bench is a classic staple for the end of the bed. Available in 3 sizes to correspond with a Twin, Queen, and King bed, the Eleanor Bench is also stunning in front of a window or as a dining bench. For added customization, add a contrast fabric on the top or a contrast welt.

FRAME CONSTRUCTION

WOOD:

Responsibly harvested engineered hardwood with interlocking glued joints that are corner blocked for durability

SPRINGS:

Supportive, durable elastic webbed base

POLY:

All of the foam used in our pieces is CertiPUR-US® certified. None of the foam used in our products contain flame retardants. All of our products are TBI 17-2013 compliant

AVAILABLE CUSTOMIZATIONS

SMALL (30"), MEDIUM (50"), OR
LARGE (66") LENGTH

CONTRAST TOP

CONTRAST WELT

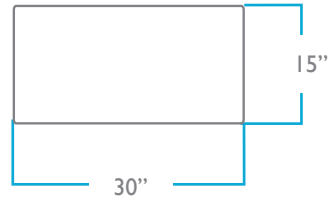
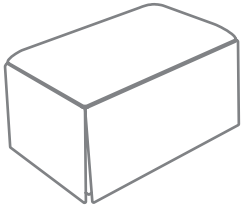
CONTRAST TRIM OR BAND

QUESTIONS?

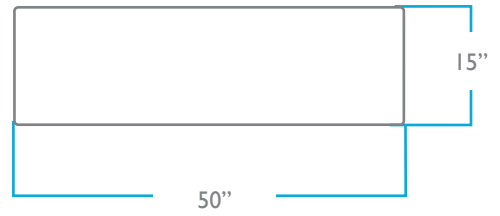
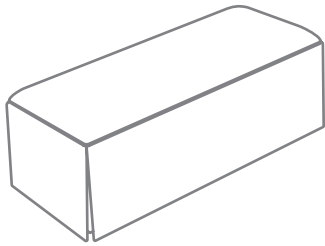
HELLO@COLEYHOME.COM

980.237.9861

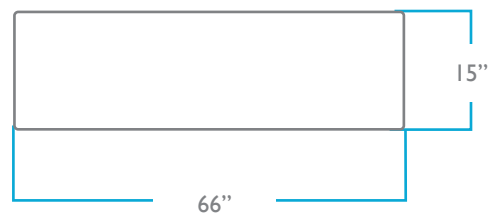
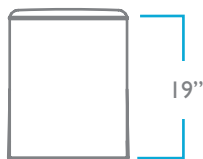
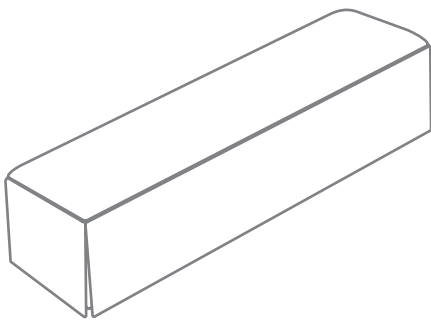
SMALL



MEDIUM



LARGE



OVERALL

HEIGHT: 19"

DEPTH: 15"

PACK WEIGHT

SMALL: 30 LBS

MEDIUM: 40 LBS

LARGE: 45 LBS



The perfect footrest in a nursery, bedroom, or living room, the Eleanor Ottoman is beautifully tailored with a dressmaker skirt. Elevate the design with a contrast fabric on the top, as well as a contrast welt.

FRAME CONSTRUCTION

WOOD:

Responsibly harvested engineered hardwood with interlocking glued joints that are corner blocked for durability

SPRINGS:

Supportive, durable elastic webbed base

POLY:

All of the foam used in our pieces is CertiPUR-US® certified. None of the foam used in our products contain flame retardants. All of our products are TB117-2013 compliant

AVAILABLE CUSTOMIZATIONS

CONTRAST TOP

CONTRAST WELT

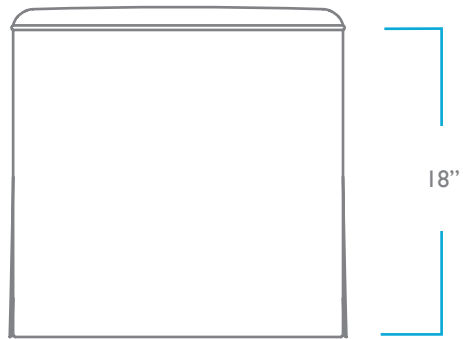
CONTRAST TRIM OR BAND

QUESTIONS?

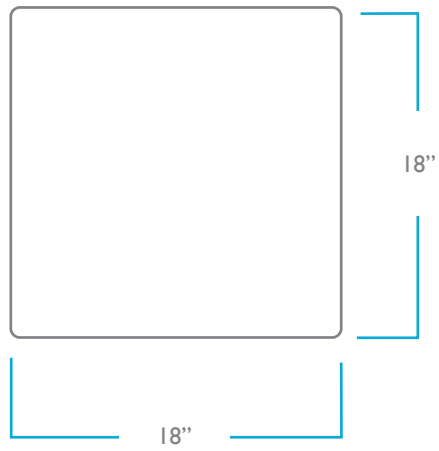
HELLO@COLEYHOME.COM

980.237.9861

SIDE



TOP



OVERALL
HEIGHT: 18"
WIDTH: 18"

PACK WEIGHT
25 LBS



Equally sweet as it is stylish, the Ella Chair brings elegance to a modern silhouette. Featuring rounded arms and fully upholstered legs, this low-profile chair is a cozy, contemporary accent. Add a contrasting welt for a boost of customization.

FRAME CONSTRUCTION

WOOD:

Responsibly harvested engineered hardwood with interlocking glued joints that are corner blocked for durability

SPRINGS:

Heavy gauge wire sinuous springs made of 80% recycled metal

POLY:

All of the foam used in our pieces is CertiPUR-US® certified. None of the foam used in our products contain flame retardants. All of our products are TB117-2013 compliant

AVAILABLE CUSTOMIZATIONS

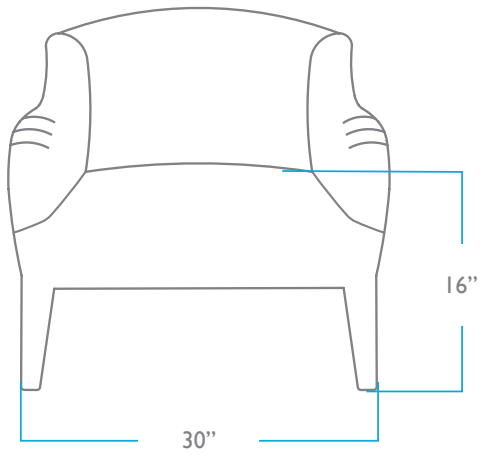
CONTRAST WELT

QUESTIONS?

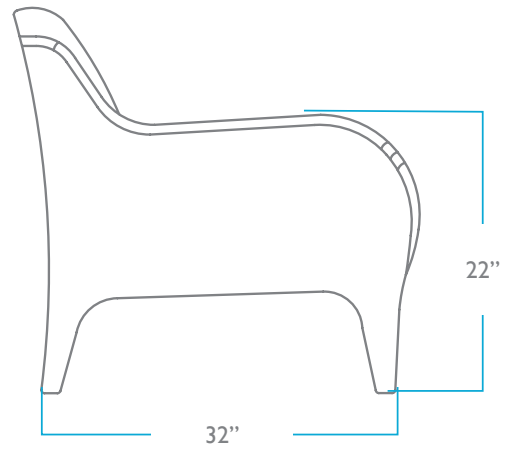
HELLO@COLEYHOME.COM

980.237.9861

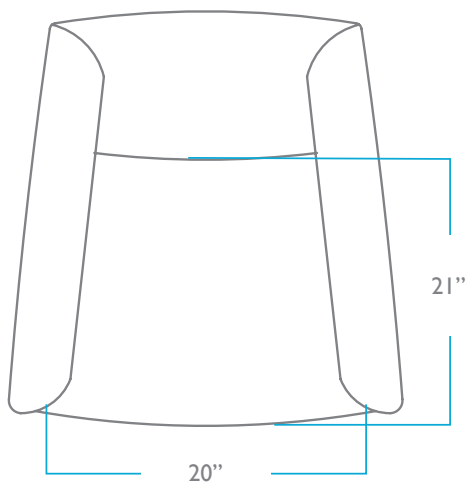
FRONT



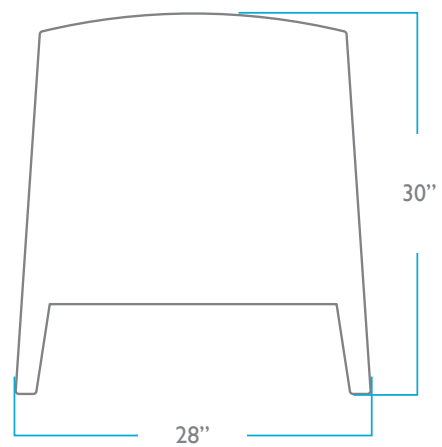
SIDE



TOP



BACK



OVERALL

HEIGHT: 30"
WIDTH: 30"
DEPTH: 32"
ARM HEIGHT: 22"

SEAT

HEIGHT: 16"
DEPTH: 21"

PACK WEIGHT

70 LBS



Available slipcovered or upholstered, the Ellington Chaise is the perfect place to kick up your feet and relax. The plush cushions are elegantly accentuated by a beautiful rounded back and stately arm detail. Place it in the corner of a primary bedroom for a cozy spot to sip your morning coffee, or in a living room next to a window for a cozy reading lounge.

FRAME CONSTRUCTION

WOOD:

Responsibly harvested engineered hardwood with interlocking glued joints that are corner blocked for durability

SPRINGS:

Heavy gauge wire sinuous springs made of 80% recycled metal

POLY:

All of the foam used in our pieces is CertiPUR-US® certified. None of the foam used in our products contain flame retardants. All of our products are TB117-2013 compliant

CUSHION CONTENT

BACK CUSHION:

Our Plush Back Cushions are made of 100% microfiber. This high end fill provides a resilient back which will help your cushions keep their shape over time. Plush fill is also hypoallergenic and environmentally friendly.

SEAT CUSHION:

Seat cushions feature a high-resilient foam core that is wrapped in a fiber-down blend and sewn into a down-proof ticking.

AVAILABLE CUSTOMIZATIONS

SLIPCOVERED
OR UPHOLSTERED

WOOD FINISHES



WALNUT



WEATHERED OAK



SIMPLY WHITE



NATURAL



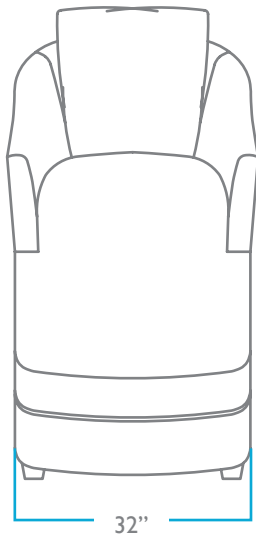
DUNE

QUESTIONS?

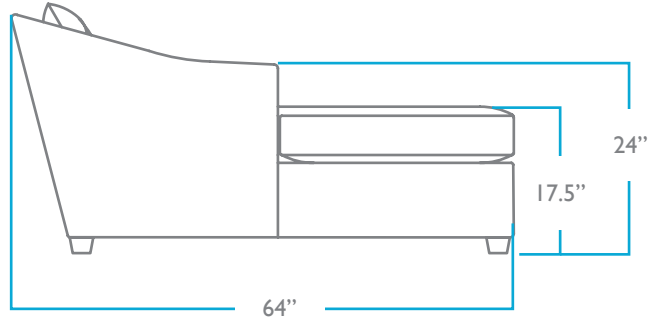
HELLO@COLEYHOME.COM

980.237.9861

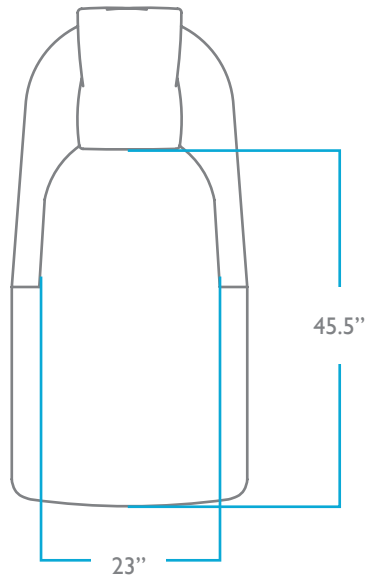
FRONT



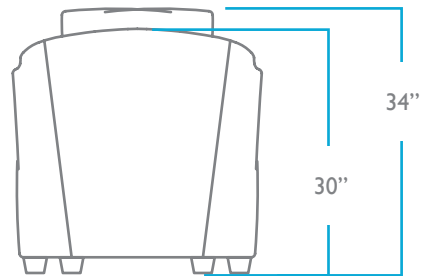
SIDE



TOP



BACK



OVERALL

HEIGHT: 34"
WIDTH: 32"
DEPTH: 64"
ARM HEIGHT: 24"

SEAT

HEIGHT: 17.5"
DEPTH: 45.5"

PACK WEIGHT

100 LBS



The refined, curved lines of this stately sofa make the Ellington a total showstopper. Featuring an ultra comfortable bench cushion and plush knife edge back cushions, the Ellington will makes a statement in the living room. Available in two lengths, and four hand-stained oak leg finishes.

FRAME CONSTRUCTION

WOOD:

Responsibly harvested engineered hardwood with interlocking glued joints that are corner blocked for durability

SPRINGS:

Heavy gauge wire sinuous springs made of 80% recycled metal

POLY:

All of the foam used in our pieces is CertiPUR-US® certified. None of the foam used in our products contain flame retardants. All of our products are TB117-2013 compliant

CUSHION CONTENT

BACK CUSHION:

Our Plush Back Cushions are made of 100% microfiber. This high end fill provides a resilient back which will help your cushions keep their shape over time. Plush fill is also hypoallergenic and environmentally friendly.

SEAT CUSHION:

Seat cushions feature a high-resilient foam core that is wrapped in a fiber-down blend and sewn into a down-proof ticking.

AVAILABLE CUSTOMIZATIONS

SLIPCOVERED
OR UPHOLSTERED

WOOD FINISHES



WALNUT



WEATHERED OAK



SIMPLY WHITE



NATURAL

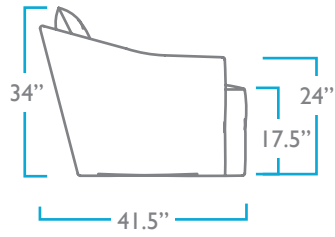


DUNE

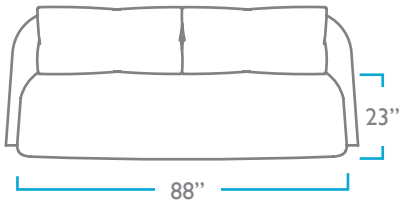
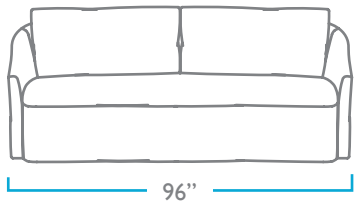
QUESTIONS?

HELLO@COLEYHOME.COM

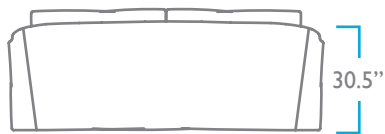
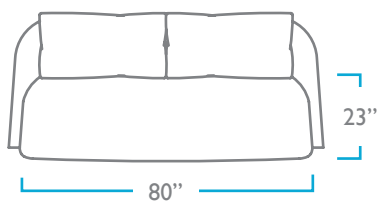
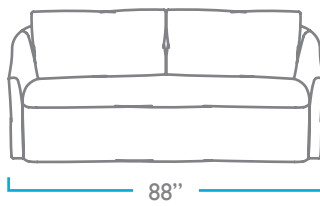
980.237.9861



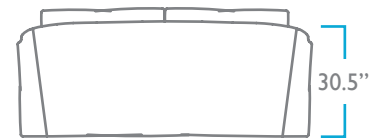
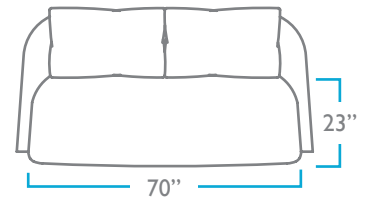
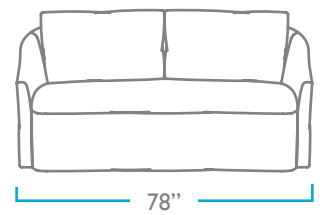
**96"
LENGTH**



**88"
LENGTH**



**78"
LENGTH**



OVERALL

HEIGHT: 34"

DEPTH: 41.5"

ARM HEIGHT: 24"

SEAT

HEIGHT: 17.5"

DEPTH: 23"

PACK WEIGHT

96" LENGTH: 180 LBS

88" LENGTH: 170 LBS

78" LENGTH: 145 LBS



The Ellington Swivel brings casual elegance into your space. The rounded back is both inviting and stylish. Sure to be a timeless mainstay in your home, the Ellington Swivel provides whimsical comfort and transitions well across a variety of design tastes.

FRAME CONSTRUCTION

WOOD:

Responsibly harvested engineered hardwood with interlocking glued joints that are corner blocked for durability

SPRINGS:

Heavy gauge wire sinuous springs made of 80% recycled metal

POLY:

All of the foam used in our pieces is CertiPUR-US® certified. None of the foam used in our products contain flame retardants. All of our products are TB117-2013 compliant

CUSHION CONTENT

BACK CUSHION:

Our Plush Back Cushions are made of 100% microfiber. This high end fill provides a resilient back which will help your cushions keep their shape over time. Plush fill is also hypoallergenic and environmentally friendly.

SEAT CUSHION:

Seat cushions feature a high-resilient foam core that is wrapped in a fiber-down blend and sewn into a down-proof ticking.

AVAILABLE CUSTOMIZATIONS

SLIPCOVERED

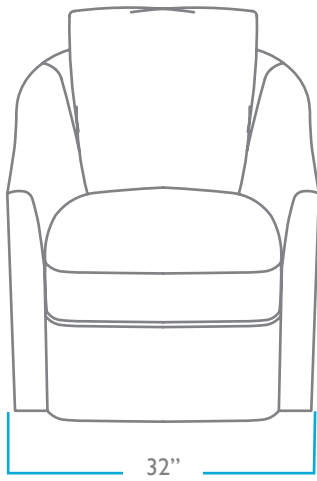
OR UPHOLSTERED

QUESTIONS?

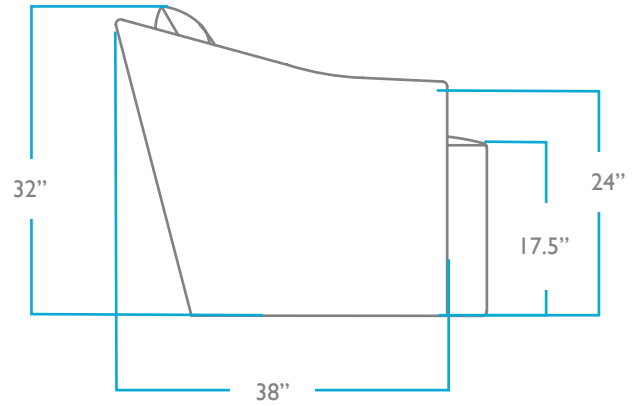
HELLO@COLEYHOME.COM

980.237.9861

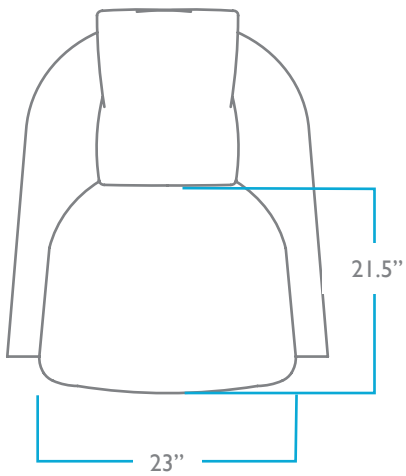
FRONT



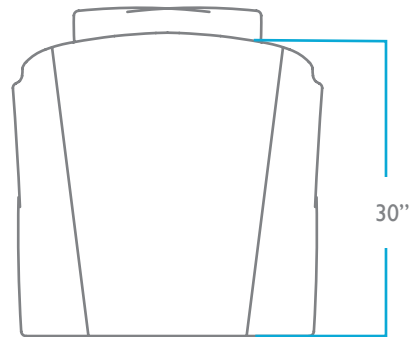
SIDE



TOP



BACK



OVERALL

HEIGHT: 32"
WIDTH: 32"
DEPTH: 38"
ARM HEIGHT: 24"

SEAT

HEIGHT: 17.5"
WIDTH: 23"
DEPTH: 21.5"

PACK WEIGHT

85 LBS



The elegant silhouette of the Eloise makes for a stately accent chair or desk chair. Better yet, grab a pair in a lively print for your living room. Add a contrast welt to accentuate the soft curved back!

FRAME CONSTRUCTION

WOOD:

Responsibly harvested engineered hardwood with interlocking glued joints that are corner blocked for durability

SPRINGS:

Supportive, durable elastic webbed base

POLY:

All of the foam used in our pieces is CertiPUR-US® certified. None of the foam used in our products contain flame retardants. All of our products are TBI 17-2013 compliant

AVAILABLE CUSTOMIZATIONS

CONTRAST WELT

WOOD FINISHES



WALNUT



WEATHERED OAK



SIMPLY WHITE



NATURAL



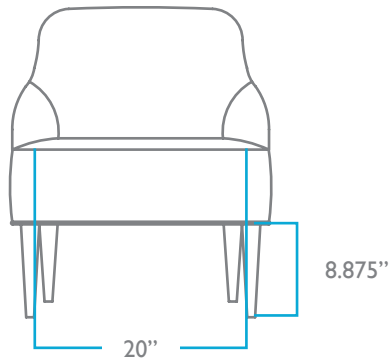
DUNE

QUESTIONS?

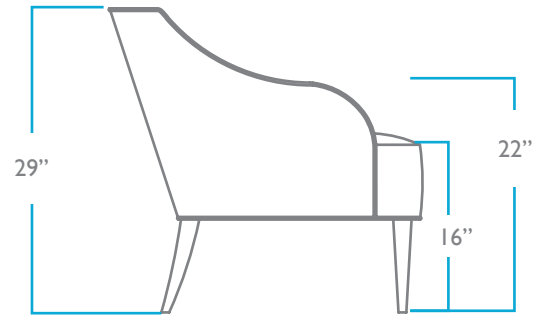
HELLO@COLEYHOME.COM

980.237.9861

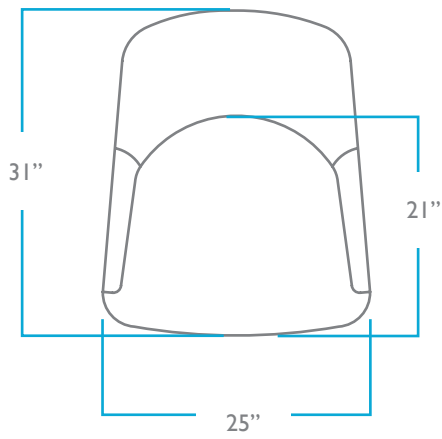
FRONT



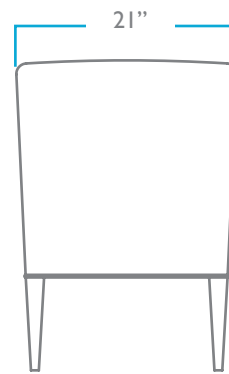
SIDE



TOP



BACK



OVERALL

HEIGHT: 29"
WIDTH: 25"
DEPTH: 31"
ARM HEIGHT: 22"

SEAT

HEIGHT: 16"
DEPTH: 21"

PACK WEIGHT

70 LBS



The Eloise Settee is a perfectly petite loveseat and features an elegantly curved silhouette. Add a contrast welt to accentuate the soft curved back, and choose from 3 hand-stained oak wooden leg finishes.

FRAME CONSTRUCTION

WOOD:

Responsibly harvested engineered hardwood with interlocking glued joints that are corner blocked for durability

SPRINGS:

Supportive, durable elastic webbed base

POLY:

All of the foam used in our pieces is CertiPUR-US® certified. None of the foam used in our products contain flame retardants. All of our products are TBI 17-2013 compliant

AVAILABLE CUSTOMIZATIONS

CONTRAST WELT

WOOD FINISHES



WALNUT



WEATHERED OAK



SIMPLY WHITE



NATURAL



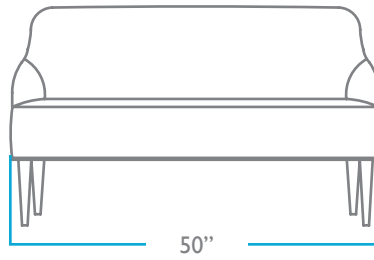
DUNE

QUESTIONS?

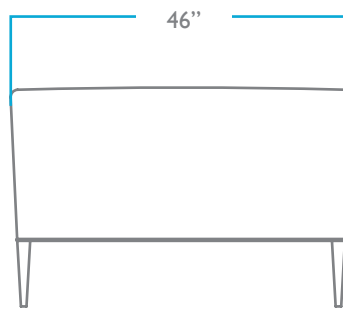
HELLO@COLEYHOME.COM

980.237.9861

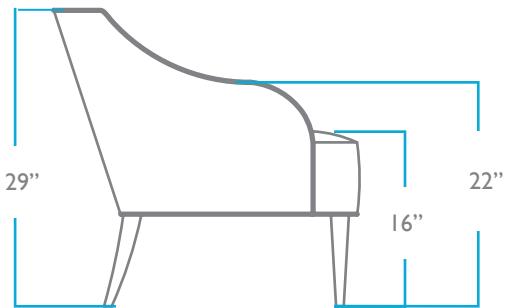
FRONT



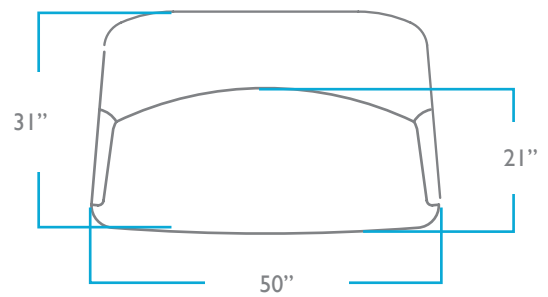
BACK



SIDE



TOP



OVERALL

HEIGHT: 29"
WIDTH: 50"
DEPTH: 31"
ARM HEIGHT: 22"

SEAT

HEIGHT: 16"
DEPTH: 21"

PACK WEIGHT

70 LBS



The elegant, curved silhouette of the Eloise Swivel makes for a stately accent chair or vanity chair. Better yet, grab a pair in a lively print for your living room. Add a contrast welt to accentuate the soft curved back.

FRAME CONSTRUCTION

WOOD:

Responsibly harvested engineered hardwood with interlocking glued joints that are corner blocked for durability

SPRINGS:

Supportive, durable elastic webbed base

POLY:

All of the foam used in our pieces is CertiPUR-US® certified. None of the foam used in our products contain flame retardants. All of our products are TBI 17-2013 compliant

MOVEMENT:

360° Swivel

AVAILABLE CUSTOMIZATIONS

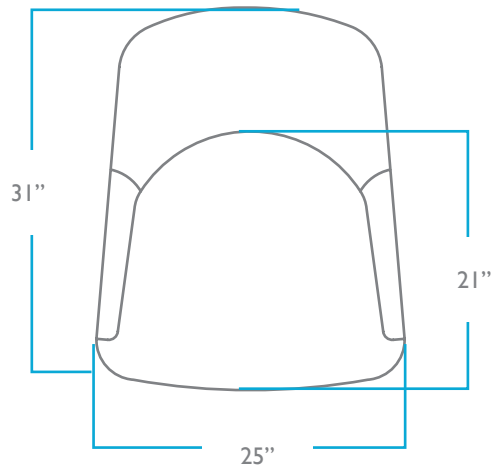
CONTRAST WELT

QUESTIONS?

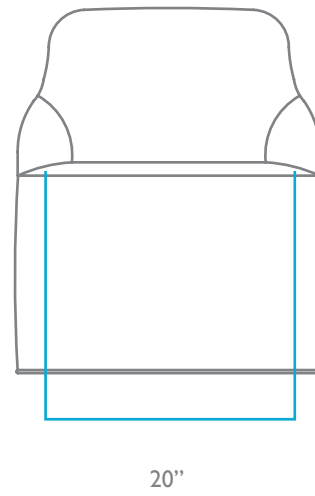
HELLO@COLEYHOME.COM

980.237.9861

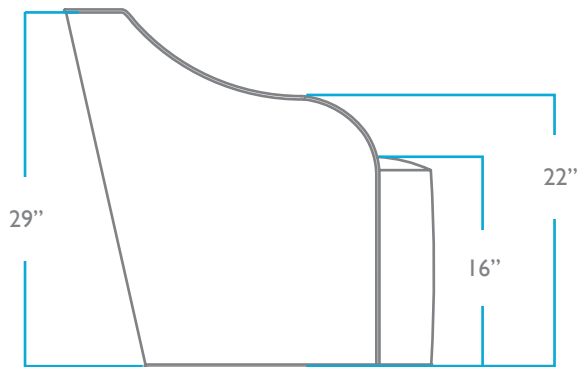
FRONT



SIDE



TOP



BACK



OVERALL
HEIGHT: 29"
WIDTH: 25"
DEPTH: 31"
ARM HEIGHT: 22"

SEAT
HEIGHT: 16"
DEPTH: 21"

PACK WEIGHT
80 LBS



A petite chair with stylish mid-century modern edge, the Freddie Chair is perfect for cocktails and conversation. For added personality, select a contrast welt or outback. The oak legs are available in five finishes.

FRAME CONSTRUCTION

WOOD:

Responsibly harvested engineered hardwood with interlocking glued joints that are corner blocked for durability

SPRINGS:

Supportive, durable elastic webbed base

POLY:

All of the foam used in our pieces is CertiPUR-US® certified. None of the foam used in our products contain flame retardants. All of our products are TB117-2013 compliant

AVAILABLE CUSTOMIZATIONS

CONTRAST OUTBACK

CONTRAST SEAT WELT

WOOD FINISHES



WALNUT



WEATHERED OAK



SIMPLY WHITE



NATURAL



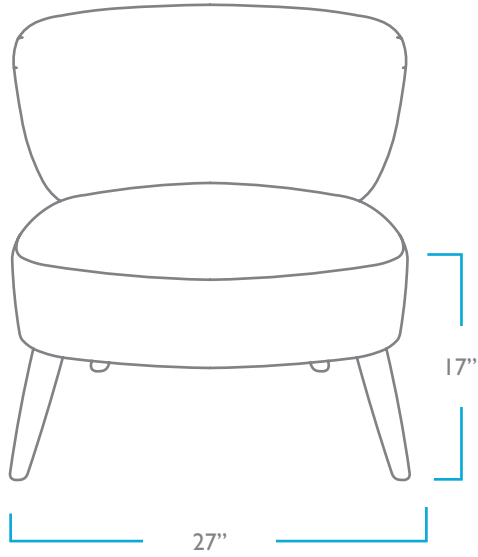
DUNE

QUESTIONS?

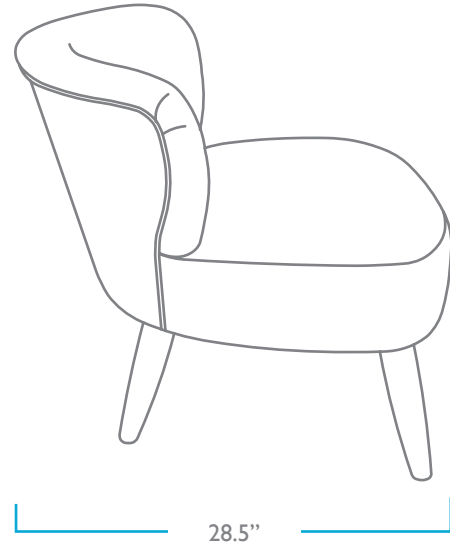
HELLO@COLEYHOME.COM

980.237.9861

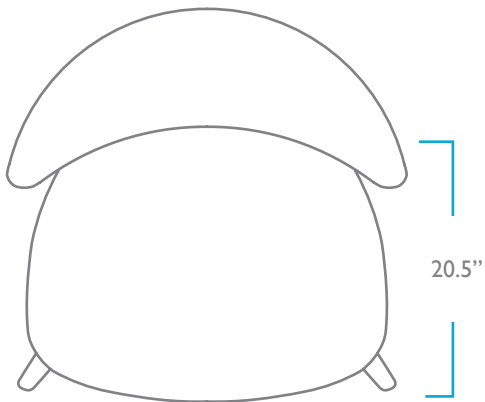
FRONT



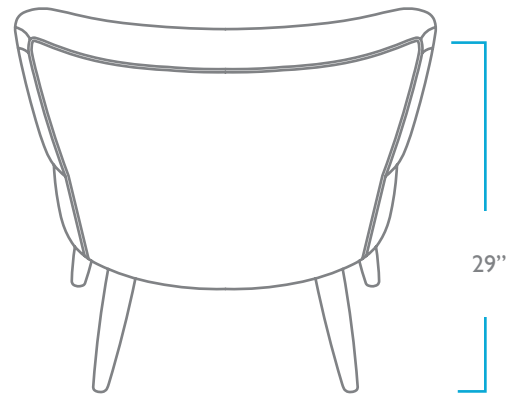
SIDE



TOP



BACK



OVERALL

HEIGHT: 29"

WIDTH: 27"

DEPTH: 28.5"

SEAT

HEIGHT: 17"

DEPTH: 20.5"

PACK WEIGHT

38 LBS



Classic with a twist, this ultra comfortable chair will be your new favorite spot for binge-watching your favorite shows. The saber arms feature a neat top stitch and add a nice side profile with the slight curve.

FRAME CONSTRUCTION

WOOD:

Responsibly harvested engineered hardwood with interlocking glued joints that are corner blocked for durability

SPRINGS:

Heavy gauge wire sinuous springs made of 80% recycled metal

POLY:

All of the foam used in our pieces is CertiPUR-US® certified. None of the foam used in our products contain flame retardants. All of our products are TB117-2013 compliant

CUSHION CONTENT

BACK CUSHION:

Our Plush Back Cushions are made of 100% microfiber. This high end fill provides a resilient back which will help your cushions keep their shape over time. Plush fill is also hypoallergenic and environmentally friendly.

SEAT CUSHION:

Seat cushions feature a high-resilient foam core that is wrapped in a fiber-down blend and sewn into a down-proof ticking.

WOOD FINISHES



WALNUT



WEATHERED OAK



SIMPLY WHITE



NATURAL



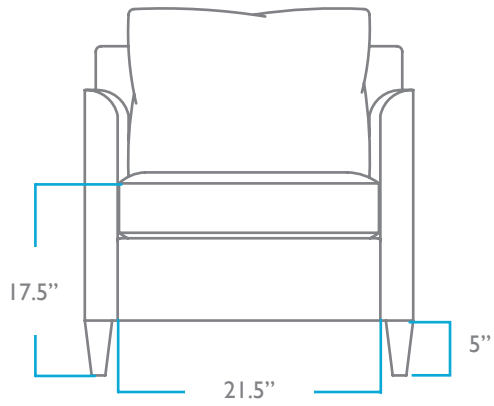
DUNE

QUESTIONS?

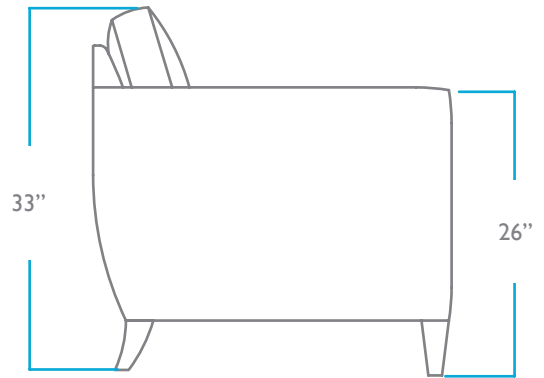
HELLO@COLEYHOME.COM

980.237.9861

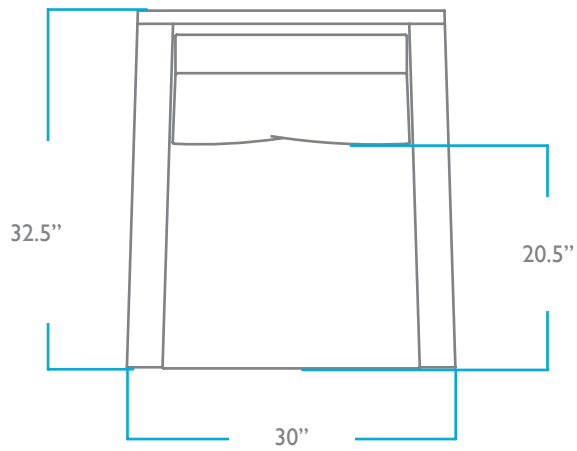
FRONT



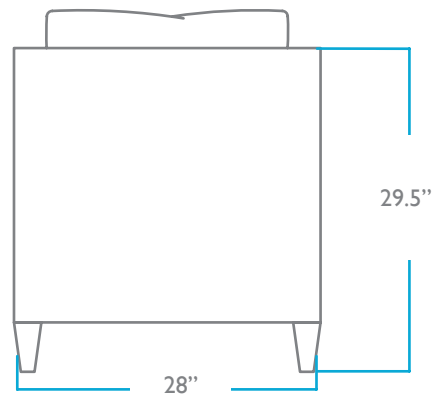
SIDE



TOP



BACK



OVERALL

HEIGHT: 33"
WIDTH: 30"
DEPTH: 32.5"
ARM HEIGHT: 26"

SEAT

HEIGHT: 17.5"
DEPTH: 20.5

PACK WEIGHT

75 LBS



Thoughtfully designed, the Hadley Sofa exudes stylish sophistication. The sofa features a saber arm detail and stately oak legs.

FRAME CONSTRUCTION

WOOD:

Responsibly harvested engineered hardwood with interlocking glued joints that are corner blocked for durability

SPRINGS:

Heavy gauge wire sinuous springs made of 80% recycled metal

POLY:

All of the foam used in our pieces is CertiPUR-US® certified. None of the foam used in our products contain flame retardants. All of our products are TB117-2013 compliant

CUSHION CONTENT

BACK CUSHION:

Our Plush Back Cushions are made of 100% microfiber. This high end fill provides a resilient back which will help your cushions keep their shape over time. Plush fill is also hypoallergenic and environmentally friendly.

SEAT CUSHION:

Seat cushions feature a high-resilient foam core that is wrapped in a fiber-down blend and sewn into a down-proof ticking.

AVAILABLE CUSTOMIZATIONS

SLIPCOVERED
OR UPHOLSTERED

WOOD FINISHES



WALNUT



WEATHERED OAK



SIMPLY WHITE



NATURAL



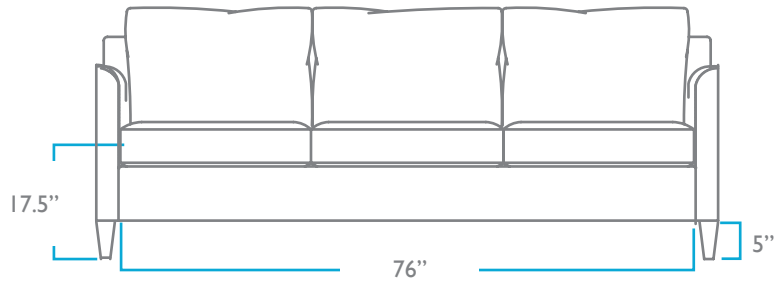
DUNE

QUESTIONS?

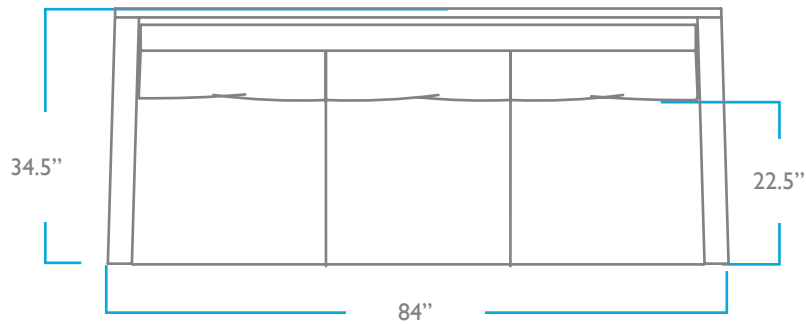
HELLO@COLEYHOME.COM

980.237.9861

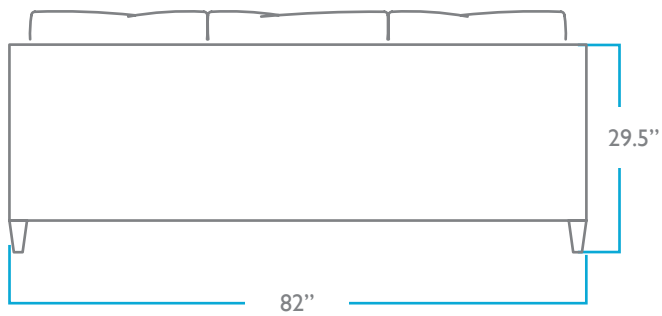
FRONT



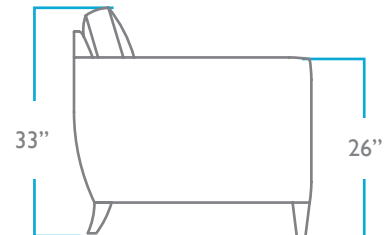
TOP



BACK



SIDE



OVERALL

HEIGHT: 33"
WIDTH: 83"
DEPTH: 34.5"
ARM HEIGHT: 26"

SEAT

HEIGHT: 17.5"
DEPTH: 22.5"

PACK WEIGHT

150 LBS



DESIGN BY
ALEXANDRA NORWOOD

Classic with a twist, this ultra comfortable chair will be your new favorite. The saber arms add a touch of sophistication, and offered in upholstered or slipcovered styles. Available as a swivel or a swivel glider:

FRAME CONSTRUCTION

WOOD:

Responsibly harvested engineered hardwood with interlocking glued joints that are corner blocked for durability

SPRINGS:

Heavy gauge wire sinuous springs made of 80% recycled metal

POLY:

All of the foam used in our pieces is CertiPUR-US® certified. None of the foam used in our products contain flame retardants. All of our products are TB117-2013 compliant

MOVEMENT:

360° Swivel

CUSHION CONTENT

BACK CUSHION:

Our Plush Back Cushions are made of 100% microfiber. This high end fill provides a resilient back which will help your cushions keep their shape over time. Plush fill is also hypoallergenic and environmentally friendly.

SEAT CUSHION:

Seat cushions feature a high-resilient foam core that is wrapped in a fiber-down blend and sewn into a down-proof ticking.

AVAILABLE CUSTOMIZATIONS

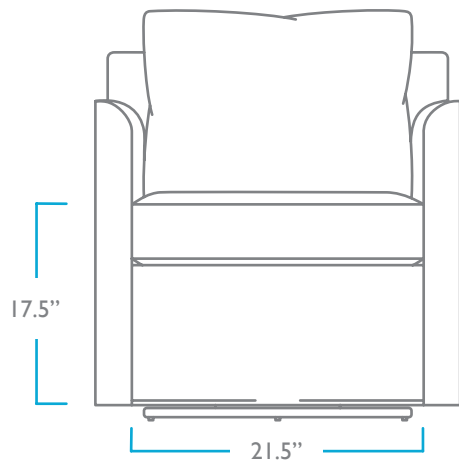
STATIONARY, SWIVEL, OR SWIVEL GLIDER

QUESTIONS?

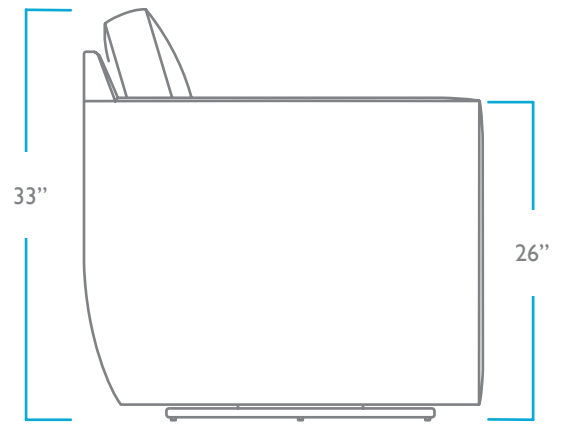
HELLO@COLEYHOME.COM

980.237.9861

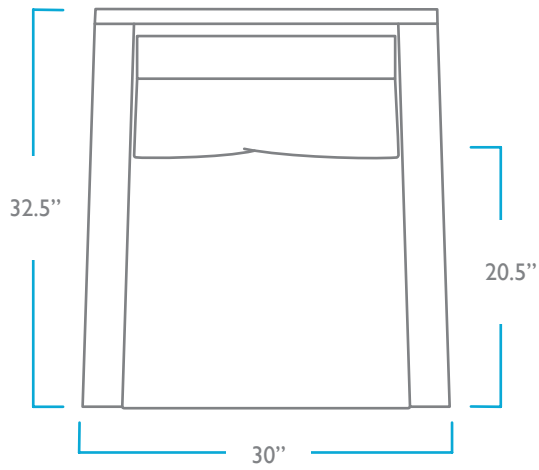
FRONT



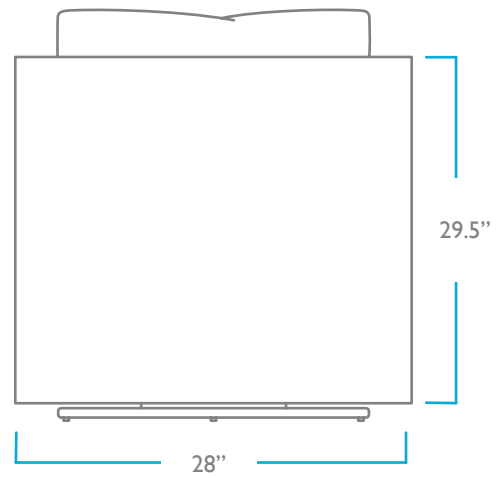
SIDE



TOP



BACK



OVERALL

HEIGHT: 33"
WIDTH: 30"
DEPTH: 32.5"
ARM HEIGHT: 26"

SEAT

HEIGHT: 17.5"
DEPTH: 20.5"

PACK WEIGHT

SWIVEL: 85 LBS
SWIVEL GLIDER: 100 LBS



This low-profile club chair is perfect for a chic lounge. With plush cushions, the Hastings will be a comfortable spot for cocktails and conversations. For a custom look, add a contrast welt and contrast cushions.

FRAME CONSTRUCTION

WOOD:

Responsibly harvested engineered hardwood with interlocking glued joints that are corner blocked for durability

SPRINGS:

Heavy gauge wire sinuous springs made of 80% recycled metal

POLY:

All of the foam used in our pieces is CertiPUR-US® certified. None of the foam used in our products contain flame retardants. All of our products are TB117-2013 compliant

CUSHION CONTENT

BACK CUSHION:

Our Plush Back Cushions are made of 100% microfiber. This high end fill provides a resilient back which will help your cushions keep their shape over time. Plush fill is also hypoallergenic and environmentally friendly.

SEAT CUSHION:

Seat cushions feature a high-resilient foam core that is wrapped in a fiber-down blend and sewn into a down-proof ticking.

AVAILABLE CUSTOMIZATIONS

CONTRAST CUSHIONS

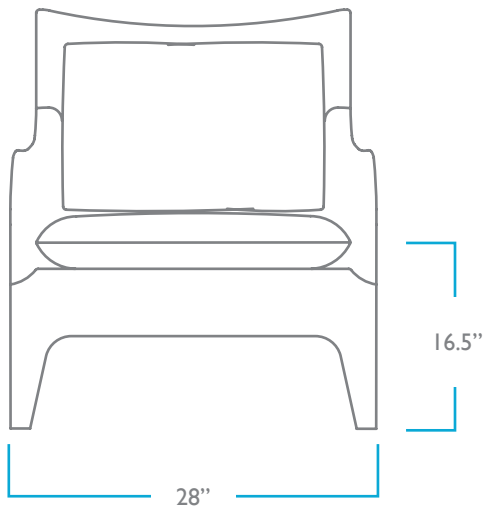
CONTRAST WELT

QUESTIONS?

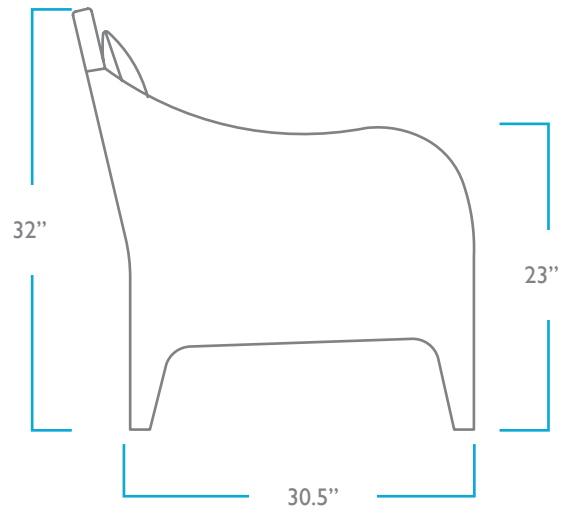
HELLO@COLEYHOME.COM

980.237.9861

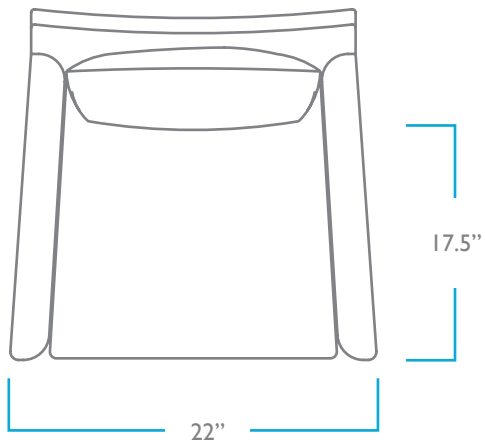
FRONT



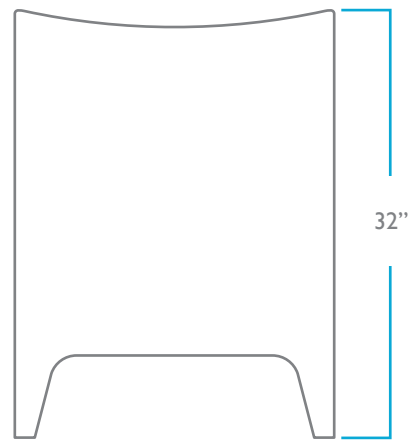
SIDE



TOP



BACK



OVERALL

HEIGHT: 32"
WIDTH: 28"
DEPTH: 30.5"
ARM HEIGHT: 23"

SEAT

HEIGHT: 16.5"
DEPTH: 17.5"

PACK WEIGHT

60 LBS



This low-profile club chair is perfect for a chic lounge. With plush cushions, the Hastings will be a comfortable spot for cocktails and conversations. For a custom look, add a contrast welt and contrast cushions.

FRAME CONSTRUCTION

WOOD:

Responsibly harvested engineered hardwood with interlocking glued joints that are corner blocked for durability

SPRINGS:

Supportive, durable elastic webbed base

POLY:

All of the foam used in our pieces is CertiPUR-US® certified. None of the foam used in our products contain flame retardants. All of our products are TB117-2013 compliant

WOOD FINISHES



WALNUT



WEATHERED OAK



SIMPLY WHITE



NATURAL



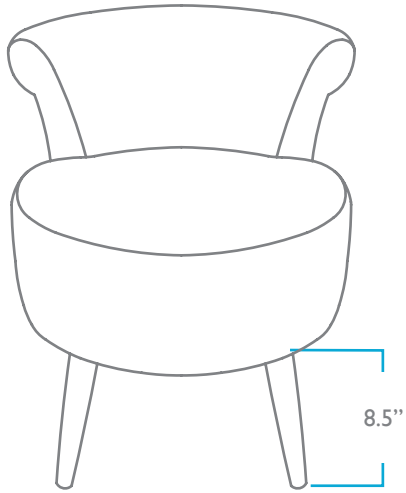
DUNE

QUESTIONS?

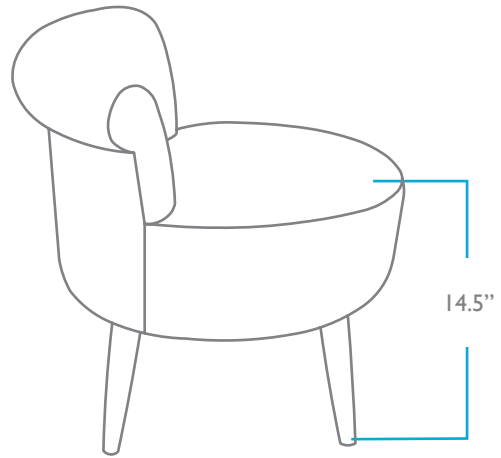
HELLO@COLEYHOME.COM

980.237.9861

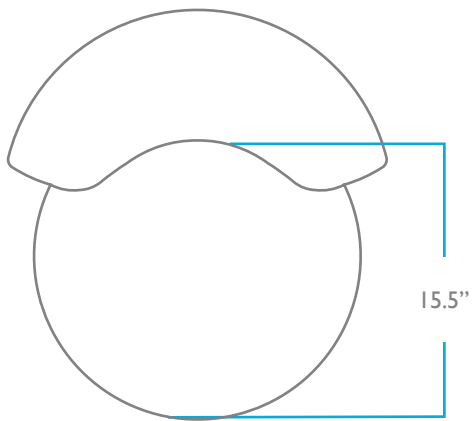
FRONT



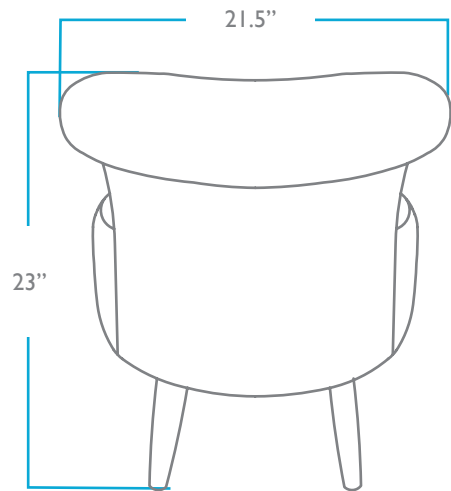
SIDE



TOP



BACK



OVERALL

HEIGHT: 23"

WIDTH: 21.5"

SEAT

HEIGHT: 14.5"

DEPTH: 15.5"

PACK WEIGHT

30 LBS



Our spin on the classic slipper chair; the Laney is a living room staple. Plush cushions provide a comfortable seat for guests. Don't forget about the adorable upholstered block legs. The Laney is even better in pairs!

FRAME CONSTRUCTION

WOOD:

Responsibly harvested engineered hardwood with interlocking glued joints that are corner blocked for durability

SPRINGS:

Heavy gauge wire sinuous springs made of 80% recycled metal

POLY:

All of the foam used in our pieces is CertiPUR-US® certified. None of the foam used in our products contain flame retardants. All of our products are TB117-2013 compliant

CUSHION CONTENT

BACK CUSHION:

Our Plush Back Cushions are made of 100% microfiber. This high end fill provides a resilient back which will help your cushions keep their shape over time. Plush fill is also hypoallergenic and environmentally friendly.

SEAT CUSHION:

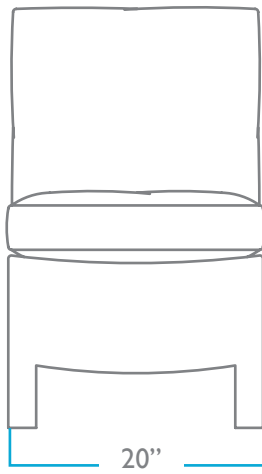
Seat cushions feature a high-resilient foam core that is wrapped in a fiber-down blend and sewn into a down-proof ticking.

QUESTIONS?

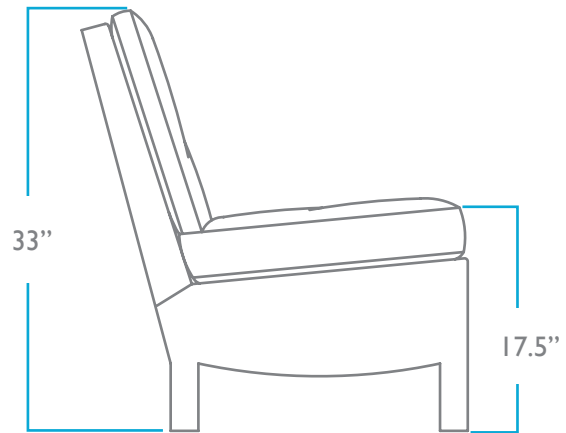
HELLO@COLEYHOME.COM

980.237.9861

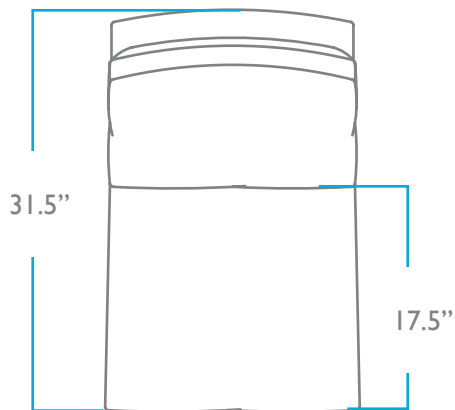
FRONT



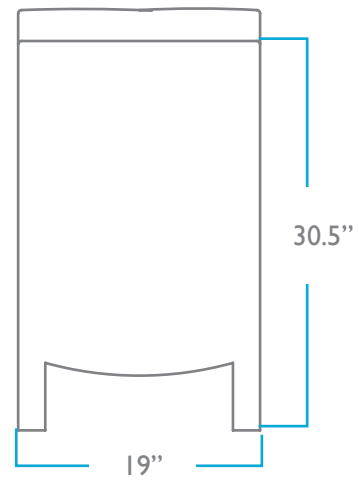
SIDE



TOP



BACK



OVERALL

HEIGHT: 33"
WIDTH: 20"
DEPTH: 31.5"

SEAT

HEIGHT: 17.5"
DEPTH: 17.5"

PACK WEIGHT

70 LBS



Small but impactful, the Lil Ottoman adds dimension to spaces both large or small. Pair this versatile piece with the Crosby Chair for a comfortable footrest, or place it under the Porter Side Table for a stylish vanity. It is lovely in front of any lounge chair and instantly creates casual extra seating for guests in small apartments.

FRAME CONSTRUCTION

WOOD:

Responsibly harvested engineered hardwood with interlocking glued joints that are corner blocked for durability

SPRINGS:

Supportive, durable elastic webbed base

POLY:

All of the foam used in our pieces is CertiPUR-US® certified. None of the foam used in our products contain flame retardants. All of our products are TBI 17-2013 compliant

CUSHION CONTENT

BACK CUSHION:

Our Plush Back Cushions are made of 100% microfiber. This high end fill provides a resilient back which will help your cushions keep their shape over time. Plush fill is also hypoallergenic and environmentally friendly.

SEAT CUSHION:

Seat cushions feature a high-resilient foam core that is wrapped in a fiber-down blend and sewn into a down-proof ticking.

AVAILABLE CUSTOMIZATIONS

CONTRAST WELT

WOOD FINISHES



WALNUT



WEATHERED OAK



SIMPLY WHITE



NATURAL



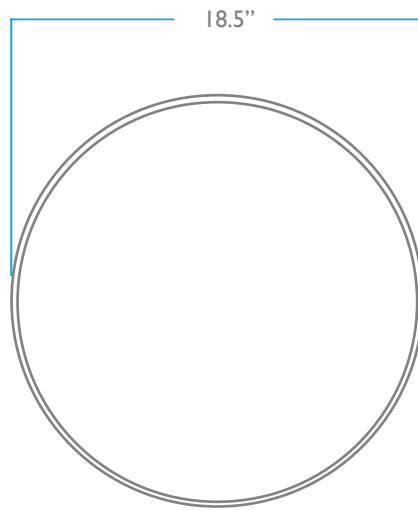
DUNE

QUESTIONS?

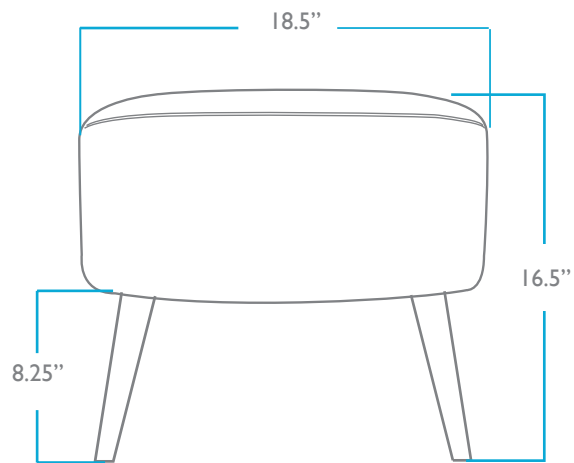
HELLO@COLEYHOME.COM

980.237.9861

TOP



FRONT



OVERALL
HEIGHT: 16.5"
DEPTH: 18.5"

PACK WEIGHT
30 LBS



Timelessly elegant, the Lindy Sofa exudes sophistication. The curved arms and plush back pillows surround you in comfort, while the tailored skirt elevates the design. Add a contrast welt for an added custom detail.

FRAME CONSTRUCTION

WOOD:

Responsibly harvested engineered hardwood with interlocking glued joints that are corner blocked for durability

SPRINGS:

Heavy gauge wire sinuous springs made of 80% recycled metal

POLY:

All of the foam used in our pieces is CertiPUR-US® certified. None of the foam used in our products contain flame retardants. All of our products are TB117-2013 compliant

CUSHION CONTENT

BACK CUSHION:

Our Plush Back Cushions are made of 100% microfiber. This high end fill provides a resilient back which will help your cushions keep their shape over time. Plush fill is also hypoallergenic and environmentally friendly.

SEAT CUSHION:

Seat cushions feature a high-resilient foam core that is wrapped in a fiber-down blend and sewn into a down-proof ticking.

AVAILABLE CUSTOMIZATIONS

70", 80" AND 90" LENGTHS

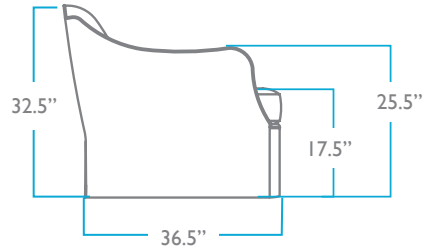
CONTRAST WELT

CONTRAST TRIM OR BAND

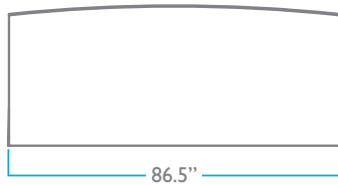
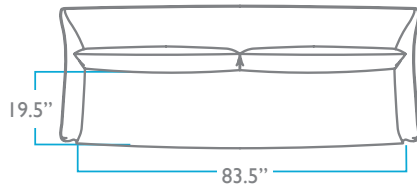
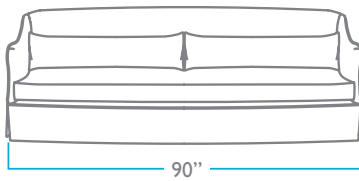
QUESTIONS?

HELLO@COLEYHOME.COM

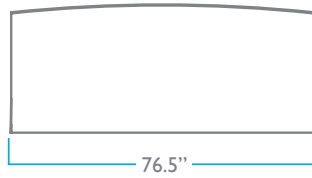
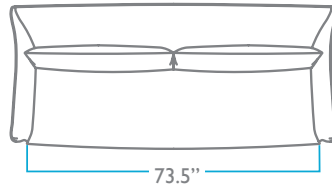
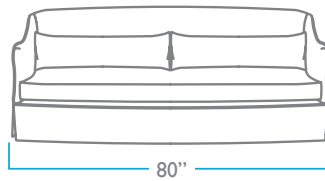
980.237.9861



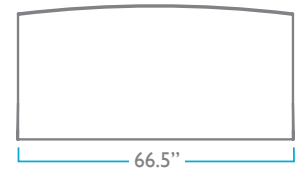
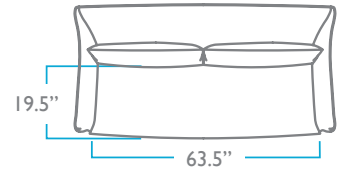
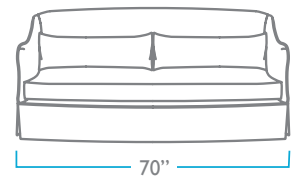
90" LENGTH



80" LENGTH



70" LENGTH



OVERALL

HEIGHT: 32.5"
 DEPTH: 36.5"
 ARM HEIGHT: 25.5"

SEAT

HEIGHT: 17.5"
 DEPTH: 19.5"

PACK WEIGHT

90" LENGTH: 170 LBS
 80" LENGTH: 165 LBS
 70" LENGTH: 155 LBS



Timelessly elegant, the Lindy Swivel exudes sophistication. The curved arms and plush back pillow surround you in comfort, while the tailored skirt elevates the design. Add a contrast welt for an added custom detail.

FRAME CONSTRUCTION

WOOD:

Responsibly harvested engineered hardwood with interlocking glued joints that are corner blocked for durability

SPRINGS:

Heavy gauge wire sinuous springs made of 80% recycled metal

POLY:

All of the foam used in our pieces is CertiPUR-US® certified. None of the foam used in our products contain flame retardants. All of our products are TB117-2013 compliant

MOVEMENT:

360° Swivel

CUSHION CONTENT

BACK CUSHION:

Our Plush Back Cushions are made of 100% microfiber. This high end fill provides a resilient back which will help your cushions keep their shape over time. Plush fill is also hypoallergenic and environmentally friendly.

SEAT CUSHION:

Seat cushions feature a high-resilient foam core that is wrapped in a fiber-down blend and sewn into a down-proof ticking.

AVAILABLE CUSTOMIZATIONS

STATIONARY OR SWIVEL

CONTRAST WELT

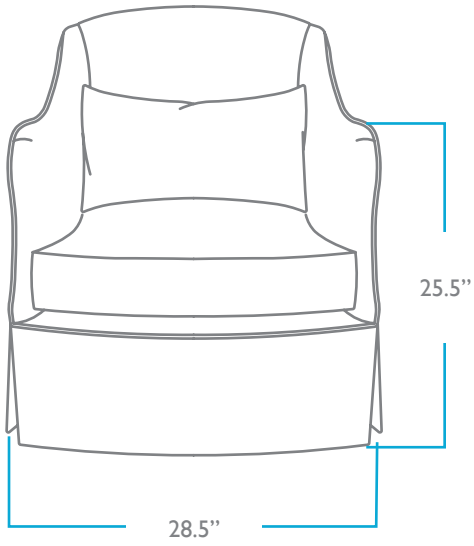
CONTRAST TRIM OR BAND

QUESTIONS?

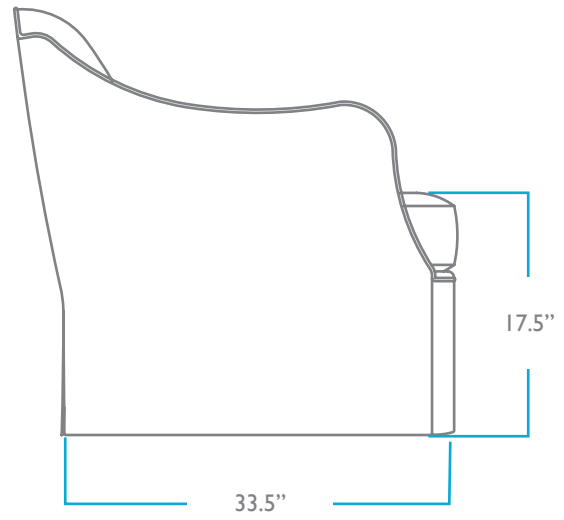
HELLO@COLEYHOME.COM

980.237.9861

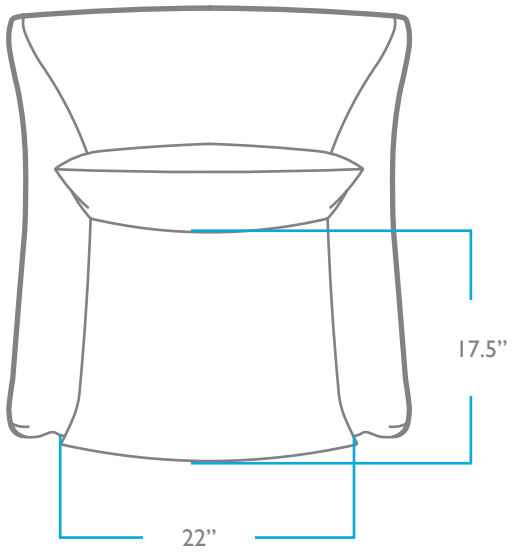
FRONT



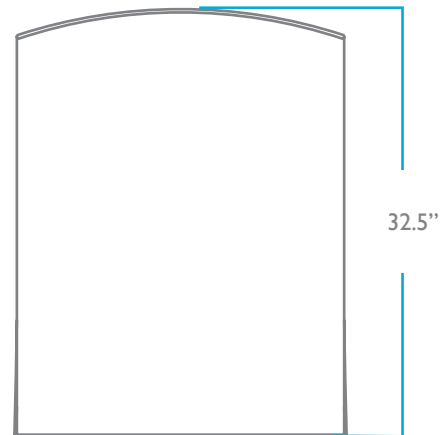
SIDE



TOP



BACK



OVERALL

HEIGHT: 32.5"

WIDTH: 28.5"

DEPTH: 33.5"

ARM HEIGHT: 25.5"

SEAT

HEIGHT: 17.5"

DEPTH: 17.5"

PACK WEIGHT

85 LBS



This classically comfortable seat is available slipcovered or upholstered. Select the slipcovered version for care-free maintenance, or the upholstered version for a mainstay in your den or living room.

FRAME CONSTRUCTION

WOOD:

Responsibly harvested engineered hardwood with interlocking glued joints that are corner blocked for durability

SPRINGS:

Heavy gauge wire sinuous springs made of 80% recycled metal

POLY:

All of the foam used in our pieces is CertiPUR-US® certified. None of the foam used in our products contain flame retardants. All of our products are TB117-2013 compliant

CUSHION CONTENT

BACK CUSHION:

Our Plush Back Cushions are made of 100% microfiber. This high end fill provides a resilient back which will help your cushions keep their shape over time. Plush fill is also hypoallergenic and environmentally friendly.

SEAT CUSHION:

Seat cushions feature a high-resilient foam core that is wrapped in a fiber-down blend and sewn into a down-proof ticking.

AVAILABLE CUSTOMIZATIONS

SLIPCOVERED
OR UPHOLSTERED

WOOD FINISHES



WALNUT



WEATHERED OAK



SIMPLY WHITE



NATURAL



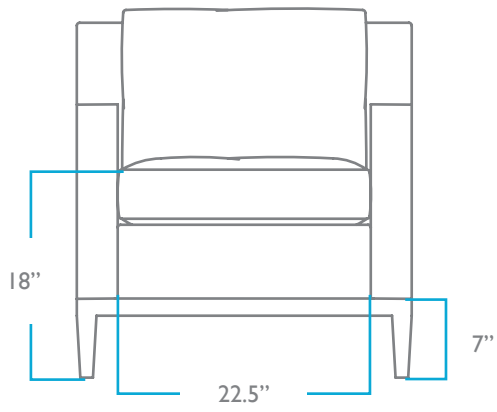
DUNE

QUESTIONS?

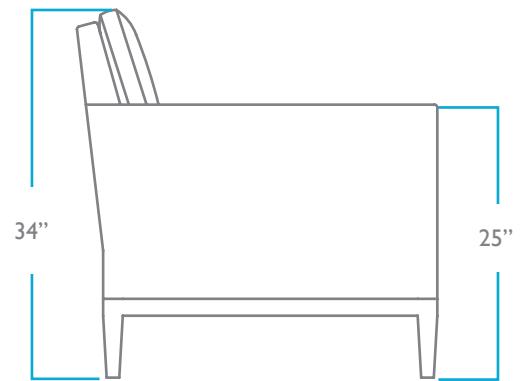
HELLO@COLEYHOME.COM

980.237.9861

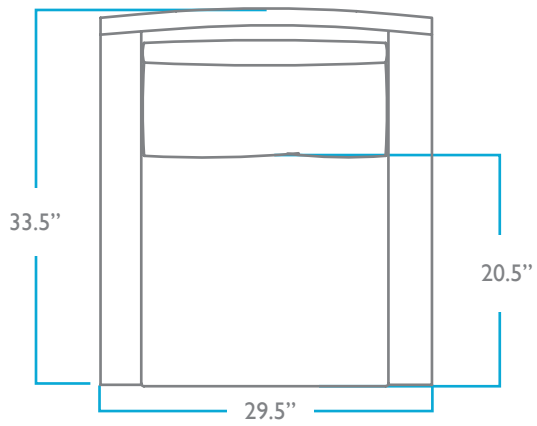
FRONT



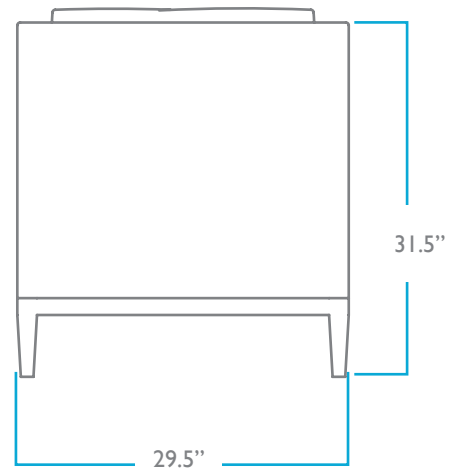
SIDE



TOP



BACK



OVERALL

HEIGHT: 33"

WIDTH: 20"

DEPTH: 31.5"

SEAT

HEIGHT: 17.5"

DEPTH: 17.5"

PACK WEIGHT

70 LBS



The timeless structure of the Logan Sofa will make it a staple in your home for years to come. Featuring stately oak legs, a slender track arm, and a three cushion set up, this sofa fits neatly into any room. Available slipcovered for easy maintenance or upholstered for a more classic look.

FRAME CONSTRUCTION

WOOD:

Responsibly harvested engineered hardwood with interlocking glued joints that are corner blocked for durability

SPRINGS:

Heavy gauge wire sinuous springs made of 80% recycled metal

POLY:

All of the foam used in our pieces is CertiPUR-US® certified. None of the foam used in our products contain flame retardants. All of our products are TB117-2013 compliant

CUSHION CONTENT

BACK CUSHION:

Our Plush Back Cushions are made of 100% microfiber. This high end fill provides a resilient back which will help your cushions keep their shape over time. Plush fill is also hypoallergenic and environmentally friendly.

SEAT CUSHION:

Seat cushions feature a high-resilient foam core that is wrapped in a fiber-down blend and sewn into a down-proof ticking.

AVAILABLE CUSTOMIZATIONS

SLIPCOVERED
OR UPHOLSTERED

WOOD FINISHES



WALNUT



WEATHERED OAK



SIMPLY WHITE



NATURAL



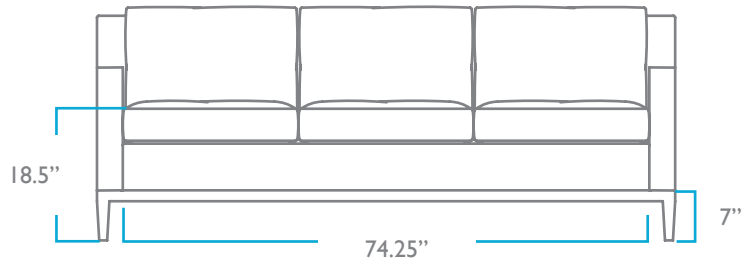
DUNE

QUESTIONS?

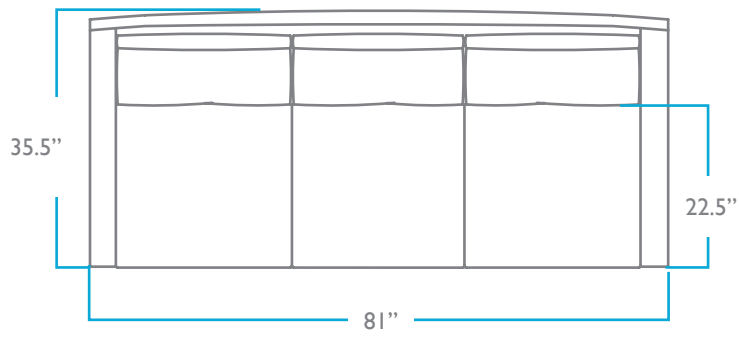
HELLO@COLEYHOME.COM

980.237.9861

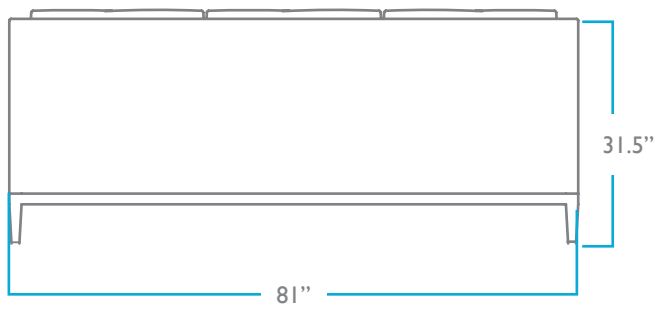
FRONT



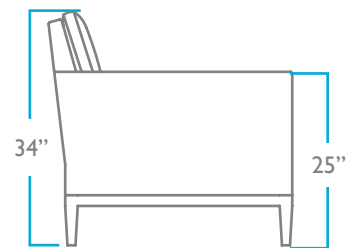
TOP



BACK



SIDE



OVERALL
HEIGHT: 33"
WIDTH: 20"
DEPTH: 31.5"

SEAT
HEIGHT: 17.5"
DEPTH: 17.5"

PACK WEIGHT
70 LBS



The beautiful flange detail and slipcover make the Lola the perfect chair for casual living. Featuring plush pillows, it is sure to be one of the most comfortable seats in your home. Available as a swivel (rotating side to side) or swivel glider (rotating side to side and rotating back and forth).

FRAME CONSTRUCTION

WOOD:

Responsibly harvested engineered hardwood with interlocking glued joints that are corner blocked for durability

SPRINGS:

Heavy gauge wire sinuous springs made of 80% recycled metal

POLY:

All of the foam used in our pieces is CertiPUR-US® certified. None of the foam used in our products contain flame retardants. All of our products are TB117-2013 compliant

MOVEMENT:

360° Swivel

CUSHION CONTENT

BACK CUSHION:

Our Plush Back Cushions are made of 100% microfiber. This high end fill provides a resilient back which will help your cushions keep their shape over time. Plush fill is also hypoallergenic and environmentally friendly.

SEAT CUSHION:

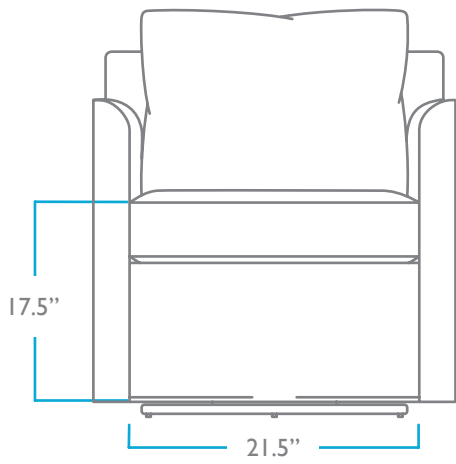
Seat cushions feature a high-resilient foam core that is wrapped in a fiber-down blend and sewn into a down-proof ticking.

QUESTIONS?

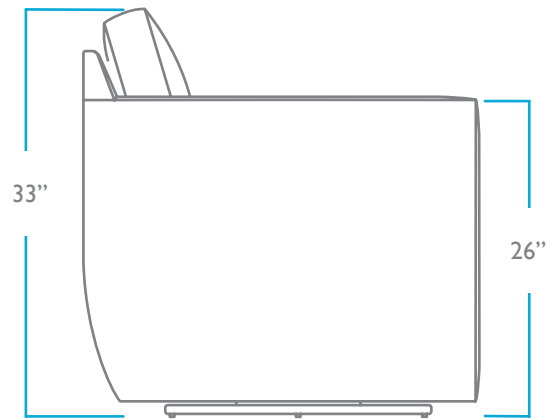
HELLO@COLEYHOME.COM

980.237.9861

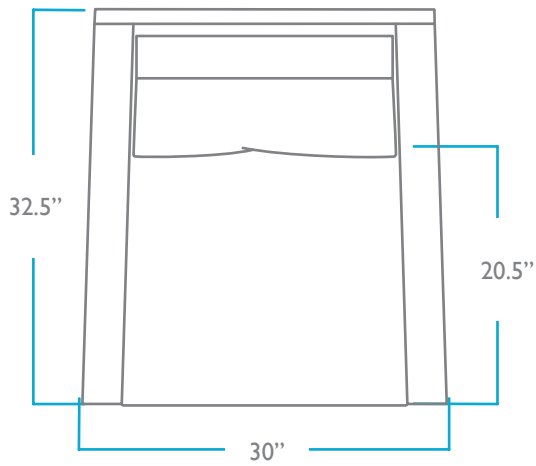
FRONT



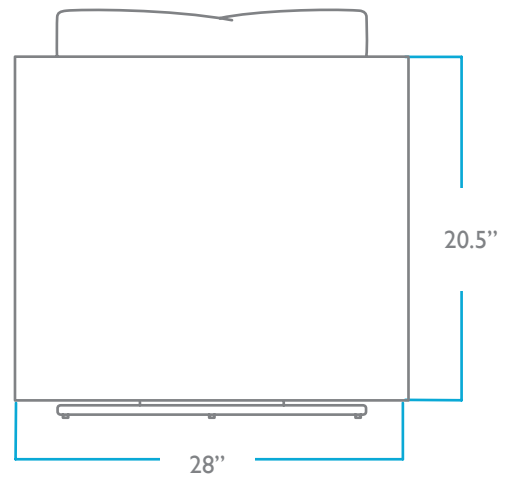
SIDE



TOP



BACK



OVERALL

HEIGHT: 34"
WIDTH: 30"
DEPTH: 32.5"
ARM HEIGHT: 26"

SEAT

HEIGHT: 17.5"
DEPTH: 20.5"

PACK WEIGHT

SWIVEL: 85 LBS
SWIVEL GLIDER: 100 LBS



The Loza Chair adds a modern touch to your home. With the ultra-plush barrel shape and curved details, this chair provides whimsical comfort that is sure to make it a crowd favorite. Complete this piece with a contrast welt and contrast pillow.

FRAME CONSTRUCTION

WOOD:

Responsibly harvested engineered hardwood with interlocking glued joints that are corner blocked for durability

SPRINGS:

Heavy gauge wire sinuous springs made of 80% recycled metal

POLY:

All of the foam used in our pieces is CertiPUR-US® certified. None of the foam used in our products contain flame retardants. All of our products are TB117-2013 compliant

CUSHION CONTENT

BACK CUSHION:

Our Plush Back Cushions are made of 100% microfiber. This high end fill provides a resilient back which will help your cushions keep their shape over time. Plush fill is also hypoallergenic and environmentally friendly.

SEAT CUSHION:

Seat cushions feature a high-resilient foam core that is wrapped in a fiber-down blend and sewn into a down-proof ticking.

AVAILABLE CUSTOMIZATIONS

CONTRAST PILLOW

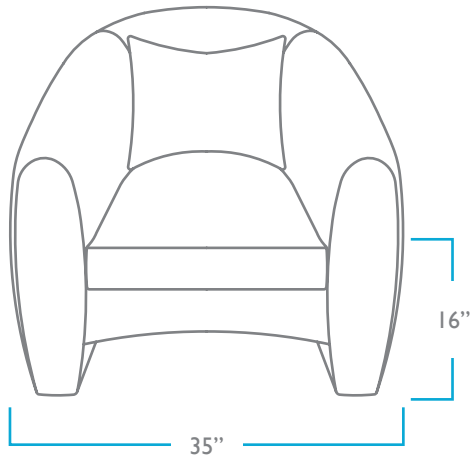
CONTRAST WELT

QUESTIONS?

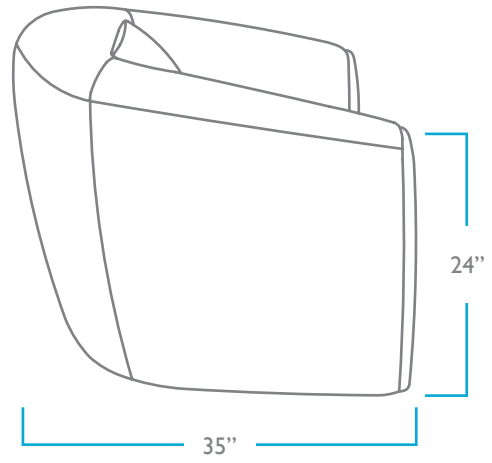
HELLO@COLEYHOME.COM

980.237.9861

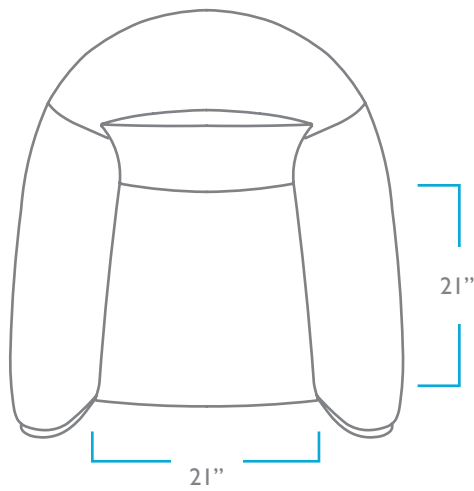
FRONT



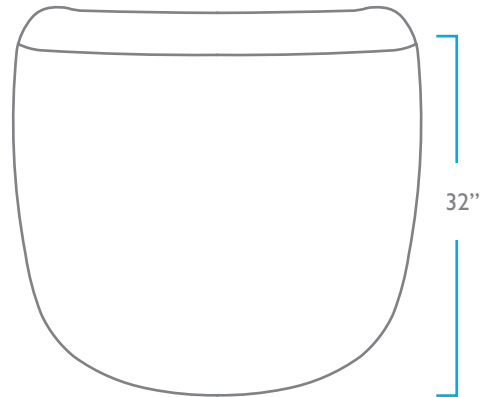
SIDE



TOP



BACK



OVERALL

HEIGHT: 32"
WIDTH: 35"
DEPTH: 35"
ARM HEIGHT: 24"

SEAT

HEIGHT: 16"
DEPTH: 21"

PACK WEIGHT

80 LBS



The pointed back of the Lulu Chair is perfect for those wanting a dining room with a little edge. The Lulu is equipped with castors for easy mobility and slipcover for easy maintenance.

FRAME CONSTRUCTION

WOOD:

Responsibly harvested engineered hardwood with interlocking glued joints that are corner blocked for durability

SPRINGS:

Heavy gauge wire sinuous springs made of 80% recycled metal

POLY:

All of the foam used in our pieces is CertiPUR-US® certified. None of the foam used in our products contain flame retardants. All of our products are TB117-2013 compliant

MOVEMENT:

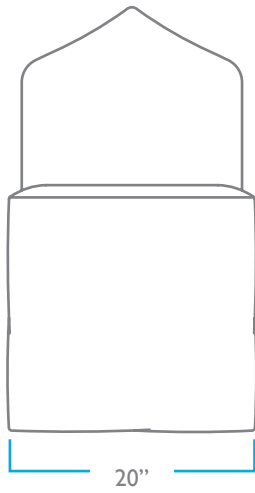
Castors

QUESTIONS?

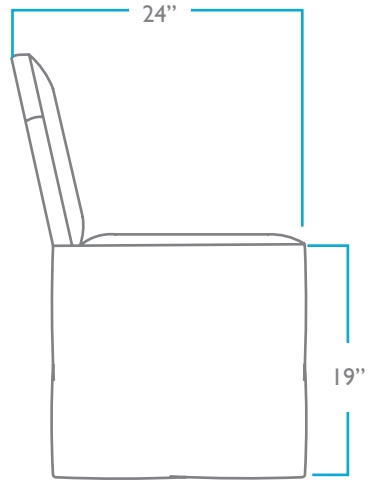
HELLO@COLEYHOME.COM

980.237.9861

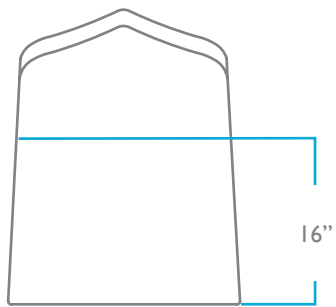
FRONT



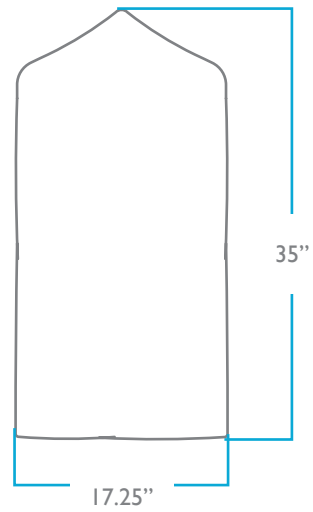
SIDE



TOP



BACK



OVERALL

HEIGHT: 35"

WIDTH: 20"

DEPTH: 24"

SEAT

HEIGHT: 19"

DEPTH: 16"

PACK WEIGHT

30 LBS



A comfortable staple for the family room, the Mack Ottoman is available in over 70 fabrics. Add a punch of color with a vibrant print, or anchor any space with a serene neutral. The block leg base, available in five oak finishes, adds a modern twist to this classic piece.

FRAME CONSTRUCTION

WOOD:

Responsibly harvested engineered hardwood with interlocking glued joints that are corner blocked for durability

SPRINGS:

Supportive, durable elastic webbed base

POLY:

All of the foam used in our pieces is CertiPUR-US® certified. None of the foam used in our products contain flame retardants. All of our products are TBI 17-2013 compliant

WOOD FINISHES



WALNUT



WEATHERED OAK



SIMPLY WHITE



NATURAL

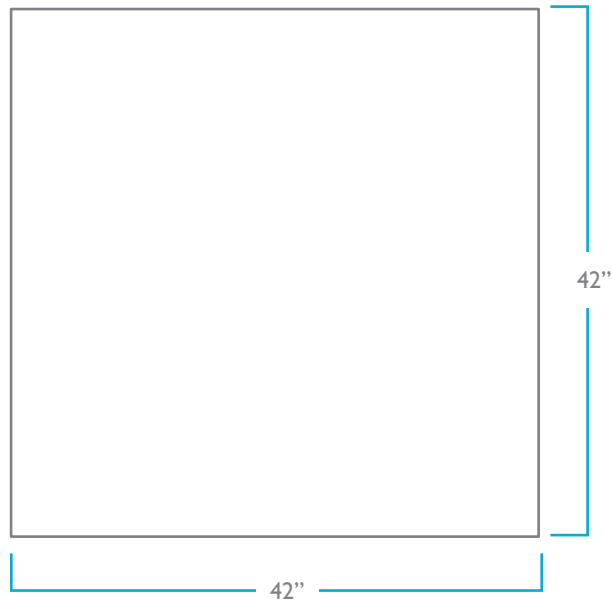
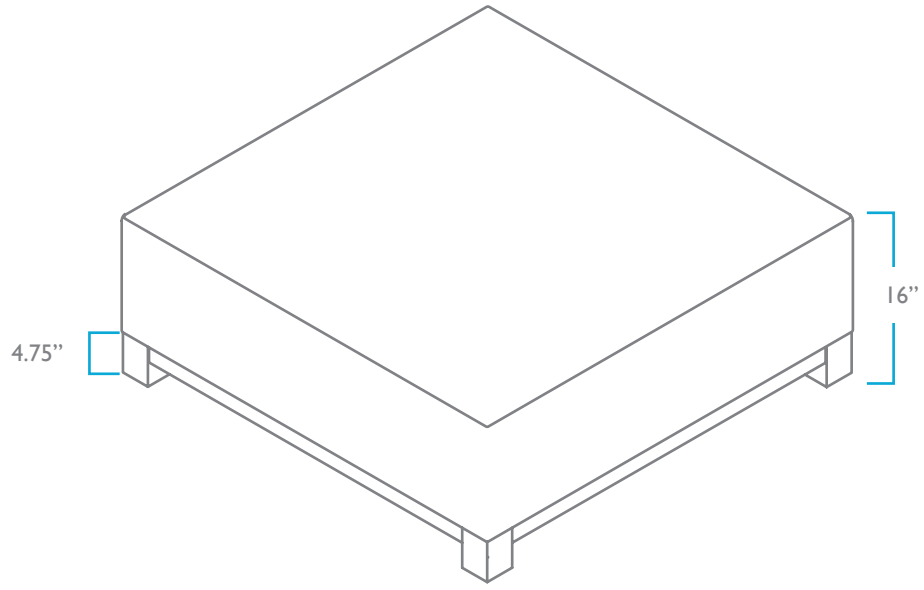


DUNE

QUESTIONS?

HELLO@COLEYHOME.COM

980.237.9861



OVERALL
HEIGHT: 16"
WIDTH: 42"

PACK WEIGHT
71 LBS



Subtle and sophisticated, the Marian Sofa is the perfect addition to your home. This piece will be a family favorite with its generous proportions, beautiful lines, and unmatched comfort. Add a contrast welt for a bespoke look. Available in two cushion configurations.

FRAME CONSTRUCTION

WOOD:

Responsibly harvested engineered hardwood with interlocking glued joints that are corner blocked for durability

SPRINGS:

Heavy gauge wire sinuous springs made of 80% recycled metal

POLY:

All of the foam used in our pieces is CertiPUR-US® certified. None of the foam used in our products contain flame retardants. All of our products are TB117-2013 compliant

CUSHION CONTENT

BACK CUSHION:

Our Plush Back Cushions are made of 100% microfiber. This high end fill provides a resilient back which will help your cushions keep their shape over time. Plush fill is also hypoallergenic and environmentally friendly.

SEAT CUSHION:

Seat cushions feature a high-resilient foam core that is wrapped in a fiber-down blend and sewn into a down-proof ticking.

AVAILABLE CUSTOMIZATIONS

2 CUSHION CONFIGURATIONS

CONTRAST WELT

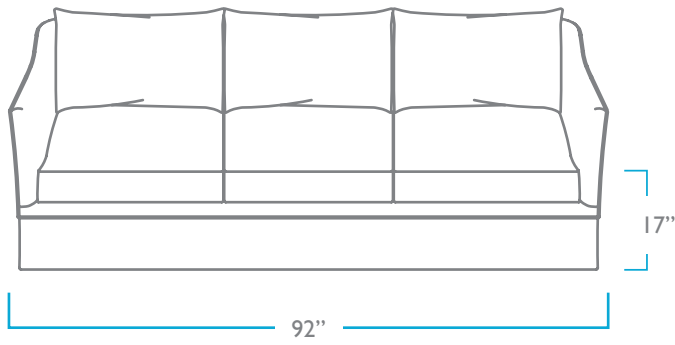
CONTRAST BAND OR TRIM

QUESTIONS?

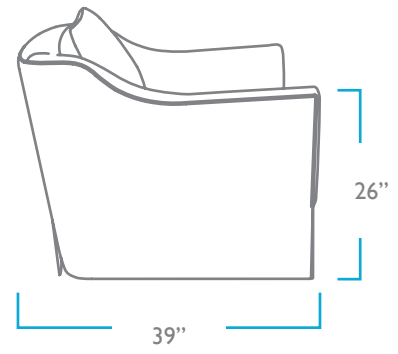
HELLO@COLEYHOME.COM

980.237.9861

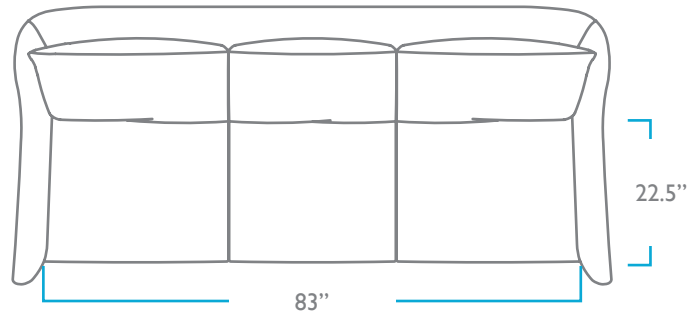
FRONT



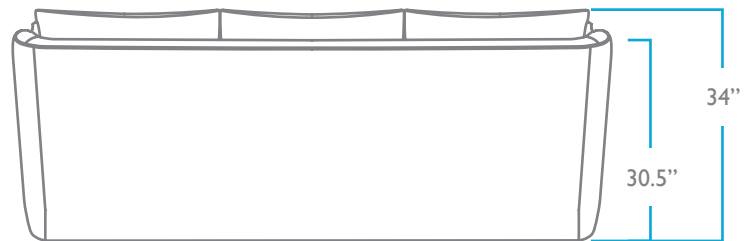
SIDE



TOP



BACK



OVERALL

HEIGHT: 34"
WIDTH: 92"
DEPTH: 39"
ARM HEIGHT: 26"

SEAT

HEIGHT: 17"
DEPTH: 22.5"

PACK WEIGHT

180 LBS



DESIGN BY
ELIZABETH REES

Subtle and sophisticated, the Marian Swivel is the perfect addition to your home. This piece will be a family favorite with its generous proportions, beautiful lines, and unmatched comfort.

FRAME CONSTRUCTION

WOOD:

Responsibly harvested engineered hardwood with interlocking glued joints that are corner blocked for durability

SPRINGS:

Heavy gauge wire sinuous springs made of 80% recycled metal

POLY:

All of the foam used in our pieces is CertiPUR-US® certified. None of the foam used in our products contain flame retardants. All of our products are TB117-2013 compliant

MOVEMENT:

360° Swivel

CUSHION CONTENT

BACK CUSHION:

Our Plush Back Cushions are made of 100% microfiber. This high end fill provides a resilient back which will help your cushions keep their shape over time. Plush fill is also hypoallergenic and environmentally friendly.

SEAT CUSHION:

Seat cushions feature a high-resilient foam core that is wrapped in a fiber-down blend and sewn into a down-proof ticking.

AVAILABLE CUSTOMIZATIONS

STATIONARY OR SWIVEL

CONTRAST WELT

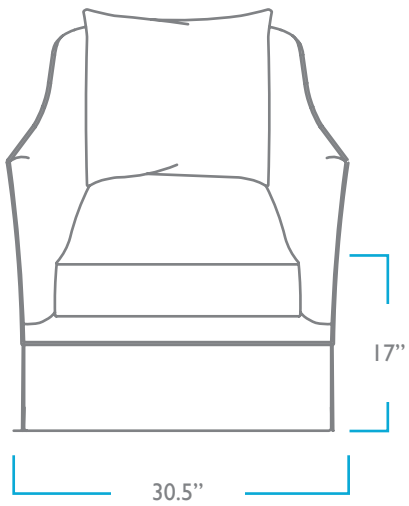
CONTRAST BAND OR TRIM

QUESTIONS?

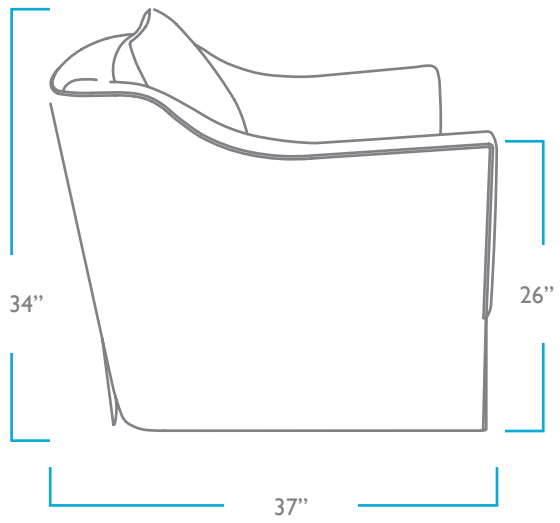
HELLO@COLEYHOME.COM

980.237.9861

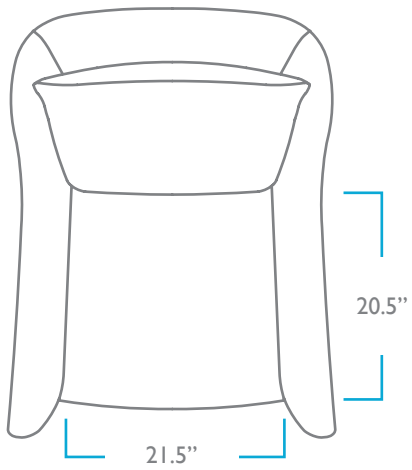
FRONT



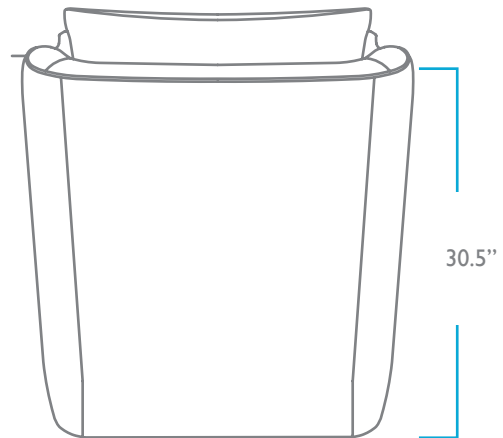
SIDE



TOP



BACK



OVERALL

HEIGHT: 34"
WIDTH: 30.5"
DEPTH: 37"
ARM HEIGHT: 26"

SEAT

HEIGHT: 17"
DEPTH: 22.5"

PACK WEIGHT

102 LBS



Here to give your kitchen and bar a punch of high design, the Mia Counter and Bar Stools are fashionably sophisticated. A perfectly pitched seat back provides for lasting comfort, while the rounded accents give the chair whimsical flair.

FRAME CONSTRUCTION

WOOD:

Responsibly harvested engineered hardwood with interlocking glued joints that are corner blocked for durability

SPRINGS:

Supportive, durable elastic webbed base

POLY:

All of the foam used in our pieces is CertiPUR-US® certified. None of the foam used in our products contain flame retardants. All of our products are TBI 17-2013 compliant

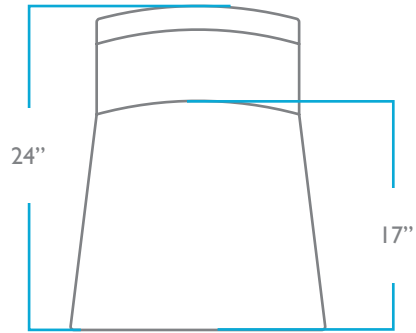
QUESTIONS?

HELLO@COLEYHOME.COM

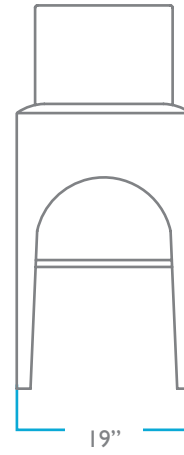
980.237.9861

THE MIA BAR STOOL

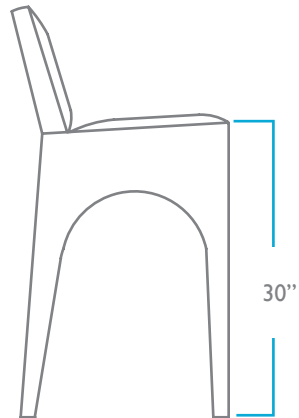
TOP



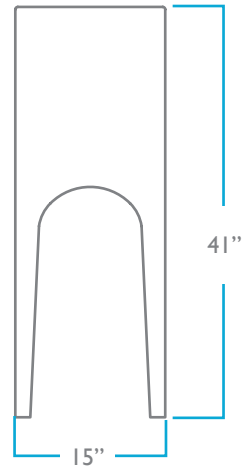
FRONT



SIDE



BACK



OVERALL

HEIGHT: 41"

WIDTH: 19"

DEPTH: 24"

SEAT

HEIGHT: 30"

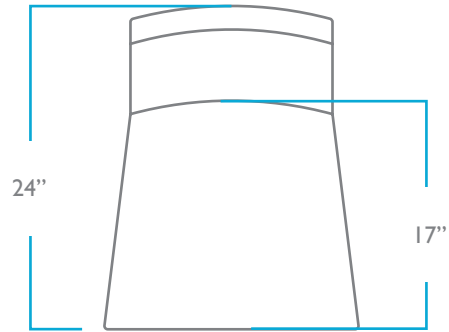
DEPTH: 17"

PACK WEIGHT

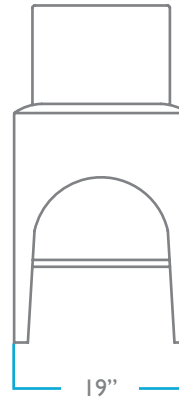
35 LBS

THE MIA COUNTER STOOL

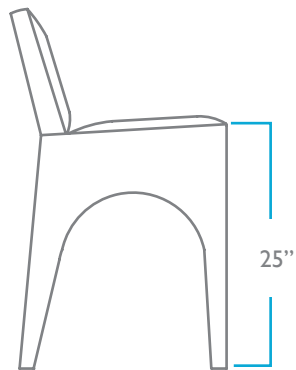
TOP



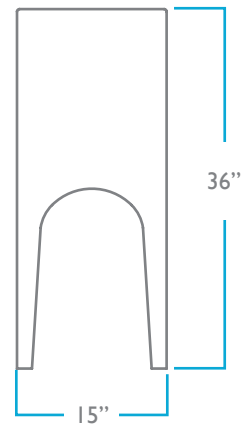
FRONT



SIDE



BACK



OVERALL

HEIGHT: 36"

WIDTH: 19"

DEPTH: 24"

SEAT

HEIGHT: 25"

DEPTH: 17"

PACK WEIGHT

35 LBS



Structurally chic, yet still comfortable, the Mia Dining Chair features stylish curved legs. This fully upholstered dining chair is fabulous in a print, or streamlined and sleek in a solid.

FRAME CONSTRUCTION

WOOD:

Responsibly harvested engineered hardwood with interlocking glued joints that are corner blocked for durability

SPRINGS:

Supportive, durable elastic webbed base

POLY:

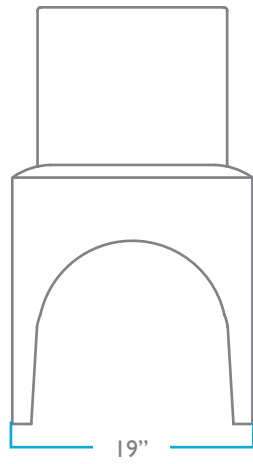
All of the foam used in our pieces is CertiPUR-US® certified. None of the foam used in our products contain flame retardants. All of our products are TBI 17-2013 compliant

QUESTIONS?

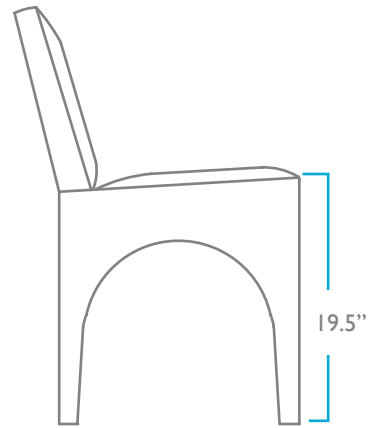
HELLO@COLEYHOME.COM

980.237.9861

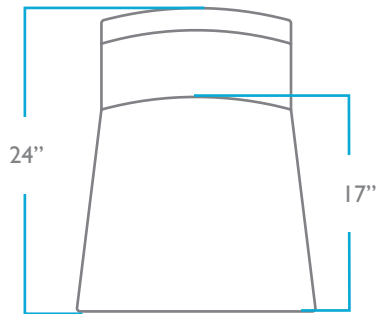
FRONT



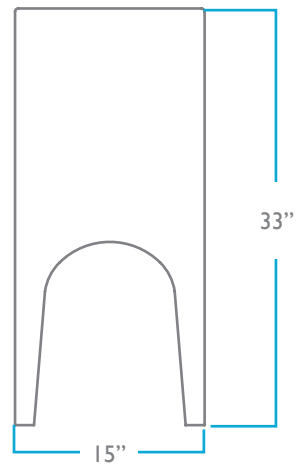
SIDE



TOP



BACK



OVERALL

HEIGHT: 33"

WIDTH: 20"

DEPTH: 31.5"

SEAT

HEIGHT: 17.5"

DEPTH: 17.5"

PACK WEIGHT

70 LBS



Stylish as a pair or on its own, the Mia Ottoman is a gorgeous accent piece for the chicest of rooms. With its curved legs and welt detail, the Mia Ottoman is sure to bring a dash of bright color to any space.

FRAME CONSTRUCTION

WOOD:

Responsibly harvested engineered hardwood with interlocking glued joints that are corner blocked for durability

SPRINGS:

Supportive, durable elastic webbed base

POLY:

All of the foam used in our pieces is CertiPUR-US® certified. None of the foam used in our products contain flame retardants. All of our products are TBI 17-2013 compliant

AVAILABLE CUSTOMIZATIONS

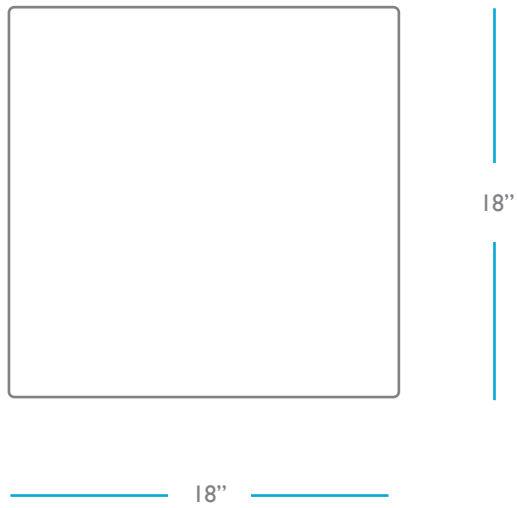
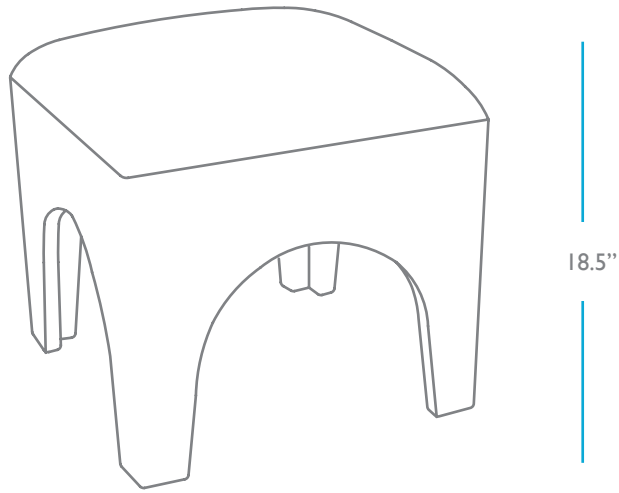
CONTRAST TOP

CONTRAST WELT

QUESTIONS?

HELLO@COLEYHOME.COM

980.237.9861



OVERALL
HEIGHT: 18.5"
WIDTH: 18"

PACK WEIGHT
25 LBS



This adorably petite chair is fabulous in just about any fabric. A pair of these “shin toasters” would be perfect next to a cozy fire, as an extra accent chair in the living room, or in a kid’s room. The unique rounded lines add the perfect touch of modern sophistication.

FRAME CONSTRUCTION

WOOD:

Responsibly harvested engineered hardwood with interlocking glued joints that are corner blocked for durability

SPRINGS:

Supportive, durable elastic webbed base

POLY:

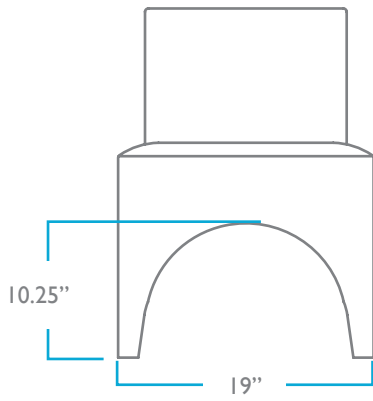
All of the foam used in our pieces is CertiPUR-US® certified. None of the foam used in our products contain flame retardants. All of our products are TBI 17-2013 compliant

QUESTIONS?

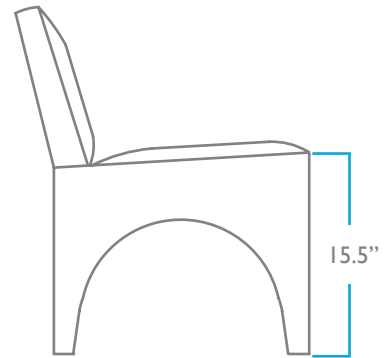
HELLO@COLEYHOME.COM

980.237.9861

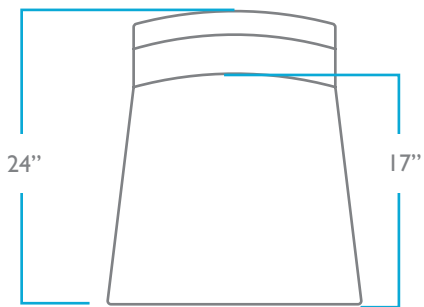
FRONT



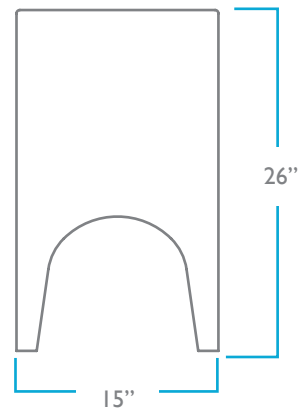
SIDE



TOP



BACK



OVERALL
HEIGHT: 26"
WIDTH: 19"
DEPTH: 24"

SEAT
HEIGHT: 15.5"
DEPTH: 17"

PACK WEIGHT
25 LBS



DESIGN BY
MEGAN STOKES

The rounded silhouette of the Milla chair provides unmatched style and comfort. Give this beautifully shaped barrel chair an extra ounce of color by customizing the piping detail. The swivel base makes this perfect for lounging or cocktails and conversation.

FRAME CONSTRUCTION

WOOD:

Responsibly harvested engineered hardwood with interlocking glued joints that are corner blocked for durability

SPRINGS:

Heavy gauge wire sinuous springs made of 80% recycled metal

POLY:

All of the foam used in our pieces is CertiPUR-US® certified. None of the foam used in our products contain flame retardants. All of our products are TB117-2013 compliant

MOVEMENT:

360° Swivel

CUSHION CONTENT

SEAT CUSHION:

Seat cushions feature a high-resilient foam core that is wrapped in a fiber-down blend and sewn into a down-proof ticking.

AVAILABLE CUSTOMIZATIONS

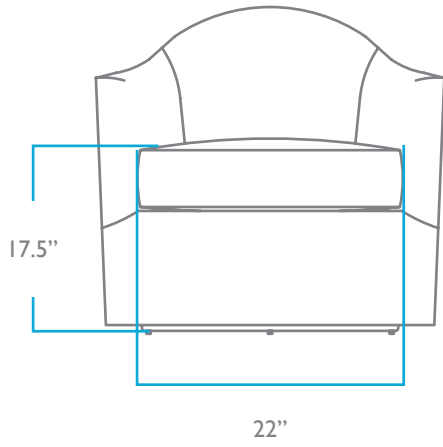
CONTRAST WELT

QUESTIONS?

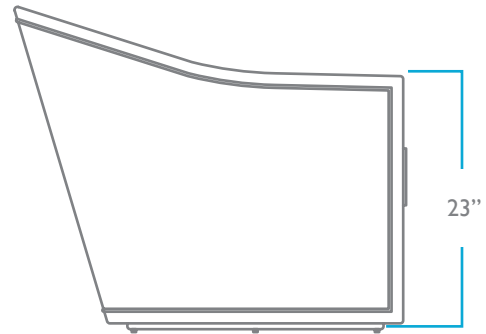
HELLO@COLEYHOME.COM

980.237.9861

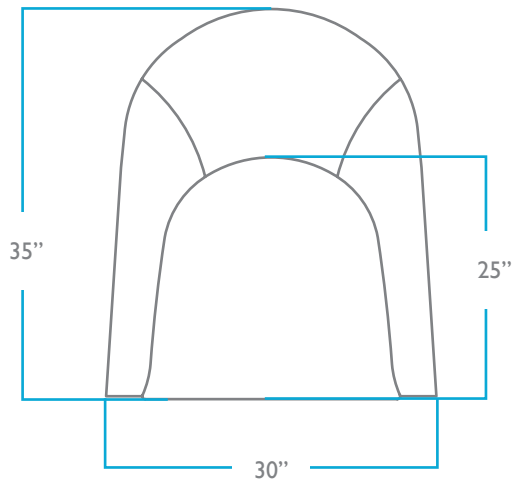
FRONT



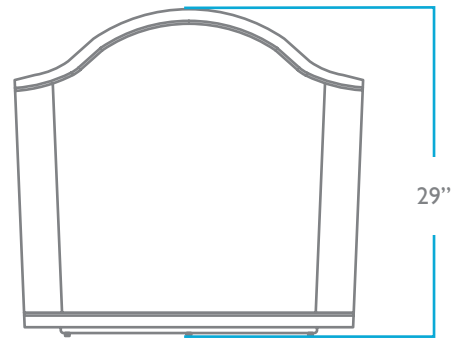
SIDE



TOP



BACK



OVERALL

HEIGHT: 29"
WIDTH: 30"
DEPTH: 35"
ARM HEIGHT: 23"

SEAT

HEIGHT: 17.5"
DEPTH: 25"

PACK WEIGHT

85 LBS



The rounded silhouette of the Milla chair provides unmatched style and comfort. Give this beautifully shaped barrel chair an extra ounce of color by customizing the piping detail. The swivel base makes this perfect for lounging or cocktails and conversation.

FRAME CONSTRUCTION

WOOD:

Responsibly harvested engineered hardwood with interlocking glued joints that are corner blocked for durability

SPRINGS:

Heavy gauge wire sinuous springs made of 80% recycled metal

POLY:

All of the foam used in our pieces is CertiPUR-US® certified. None of the foam used in our products contain flame retardants. All of our products are TB117-2013 compliant

WOOD FINISHES



WALNUT



WEATHERED OAK



SIMPLY WHITE



NATURAL



DUNE

CUSHION CONTENT

SEAT CUSHION:

Seat cushions feature a high-resilient foam core that is wrapped in a fiber-down blend and sewn into a down-proof ticking.

AVAILABLE CUSTOMIZATIONS

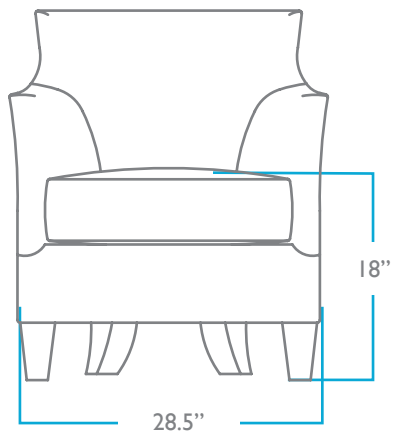
CONTRAST WELT

QUESTIONS?

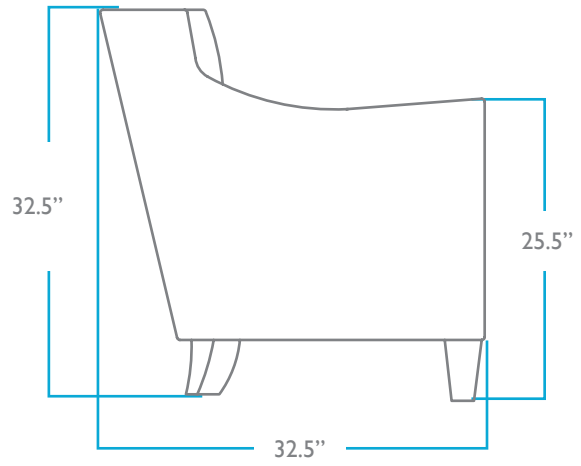
HELLO@COLEYHOME.COM

980.237.9861

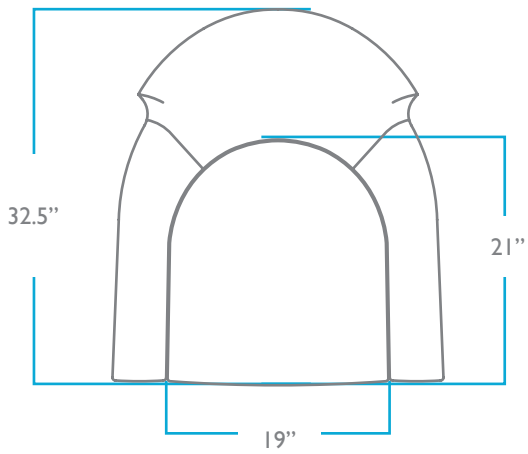
FRONT



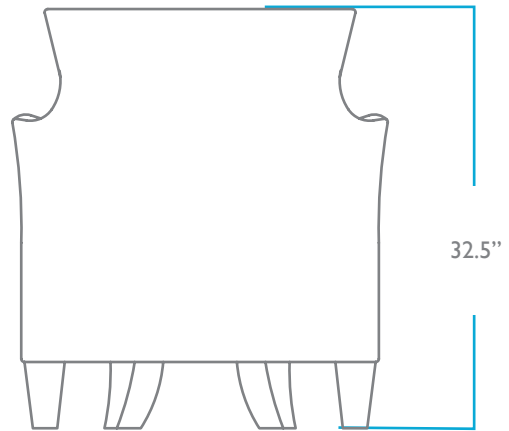
SIDE



TOP



BACK



OVERALL

HEIGHT: 33"

WIDTH: 20"

DEPTH: 31.5"

SEAT

HEIGHT: 17.5"

DEPTH: 17.5"

PACK WEIGHT

70 LBS



The classic lines of the dressmaker skirt combined with the chic arms of the beloved Myers Swivel makes for a stylish sofa, perfect for every space in your home. The Myers Sofa features a high back and option for a contrast welt.

FRAME CONSTRUCTION

WOOD:

Responsibly harvested engineered hardwood with interlocking glued joints that are corner blocked for durability

SPRINGS:

Heavy gauge wire sinuous springs made of 80% recycled metal

POLY:

All of the foam used in our pieces is CertiPUR-US® certified. None of the foam used in our products contain flame retardants. All of our products are TB117-2013 compliant

CUSHION CONTENT

BACK CUSHION:

Our Plush Back Cushions are made of 100% microfiber. This high end fill provides a resilient back which will help your cushions keep their shape over time. Plush fill is also hypoallergenic and environmentally friendly.

SEAT CUSHION:

Seat cushions feature a high-resilient foam core that is wrapped in a fiber-down blend and sewn into a down-proof ticking.

AVAILABLE CUSTOMIZATIONS

72" & 90" LENGTH

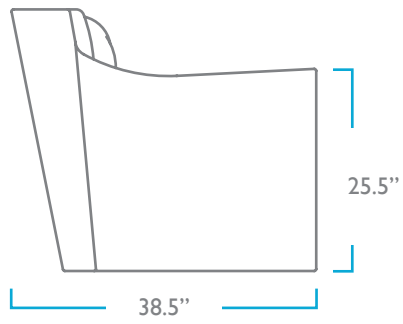
CONTRAST WELT

CONTRAST BAND OR TRIM

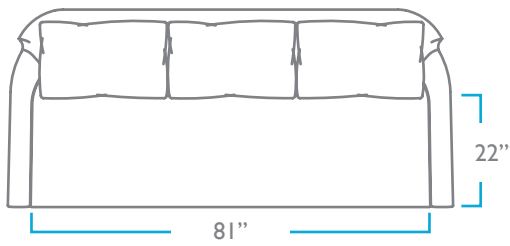
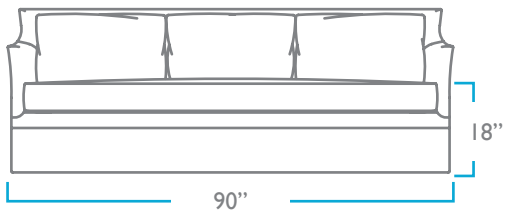
QUESTIONS?

HELLO@COLEYHOME.COM

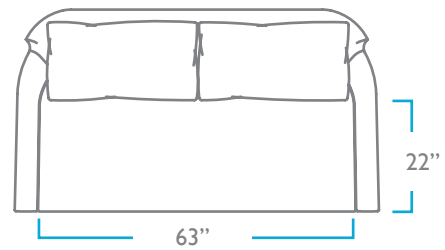
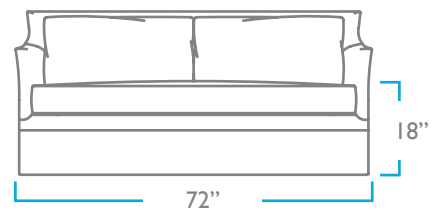
980.237.9861



90" LENGTH



72" LENGTH



OVERALL

HEIGHT: 32.5"

DEPTH: 32.5"

ARM HEIGHT: 25.5"

SEAT

HEIGHT: 18"

DEPTH: 21"

PACK WEIGHT

90" LENGTH: 170 LBS

72" LENGTH: 135 LBS



Our Myers Swivel got a classic update with a dressmaker skirt. Myers Swivel is as cozy as it is fashionable. Especially chic in an over-sized texture, the contemporary Myers Swivel is perfect for cocktails and conversation.

FRAME CONSTRUCTION

WOOD:

Responsibly harvested engineered hardwood with interlocking glued joints that are corner blocked for durability

SPRINGS:

Heavy gauge wire sinuous springs made of 80% recycled metal

POLY:

All of the foam used in our pieces is CertiPUR-US® certified. None of the foam used in our products contain flame retardants. All of our products are TB117-2013 compliant

MOVEMENT:

360° Swivel

CUSHION CONTENT

SEAT CUSHION:

Seat cushions feature a high-resilient foam core that is wrapped in a fiber-down blend and sewn into a down-proof ticking.

AVAILABLE CUSTOMIZATIONS

STATIONARY OR SWIVEL

CONTRAST WELT

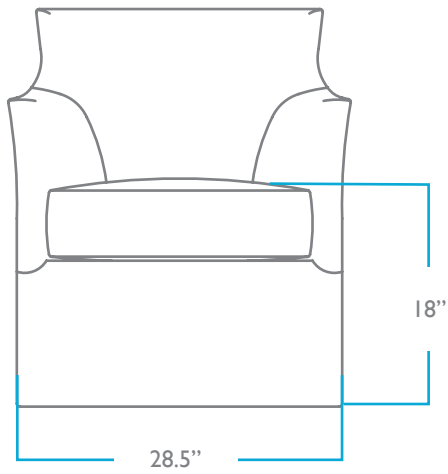
CONTRAST BAND OR TRIM

QUESTIONS?

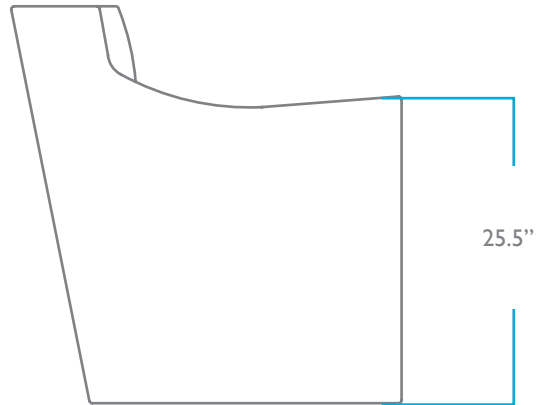
HELLO@COLEYHOME.COM

980.237.9861

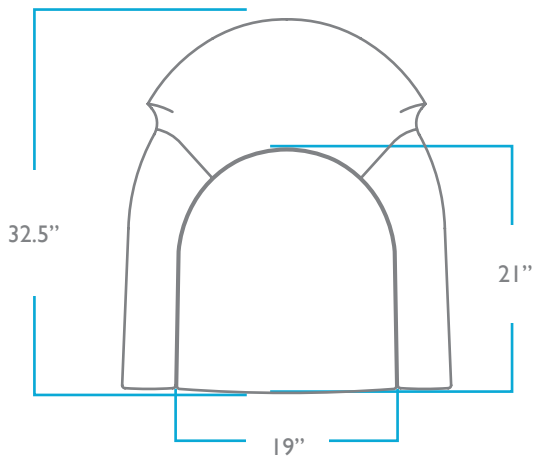
FRONT



SIDE



TOP



BACK



OVERALL

HEIGHT: 32"

WIDTH: 28.5"

DEPTH: 32.5"

ARM HEIGHT: 25.5"

SEAT

HEIGHT: 18"

DEPTH: 21"

PACK WEIGHT

85 LBS



DESIGN BY
AMANDA LOUISE CAMPBELL

The fully upholstered Myers Swivel is as cozy as it is fashionable. Especially chic in an over-sized texture, the contemporary Myers Swivel is perfect for cocktails and conversation.

FRAME CONSTRUCTION

WOOD:

Responsibly harvested engineered hardwood with interlocking glued joints that are corner blocked for durability

SPRINGS:

Heavy gauge wire sinuous springs made of 80% recycled metal

POLY:

All of the foam used in our pieces is CertiPUR-US® certified. None of the foam used in our products contain flame retardants. All of our products are TB117-2013 compliant

MOVEMENT:

360° Swivel

CUSHION CONTENT

SEAT CUSHION:

Seat cushions feature a high-resilient foam core that is wrapped in a fiber-down blend and sewn into a down-proof ticking.

AVAILABLE CUSTOMIZATIONS

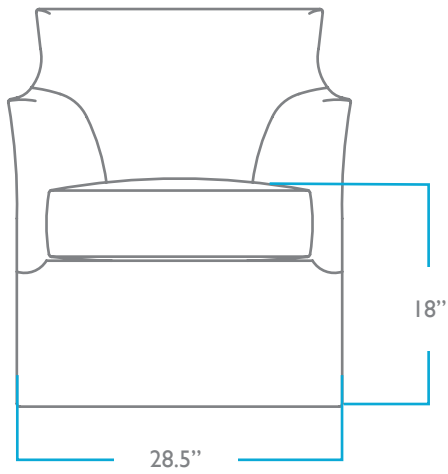
CONTRAST WELT

QUESTIONS?

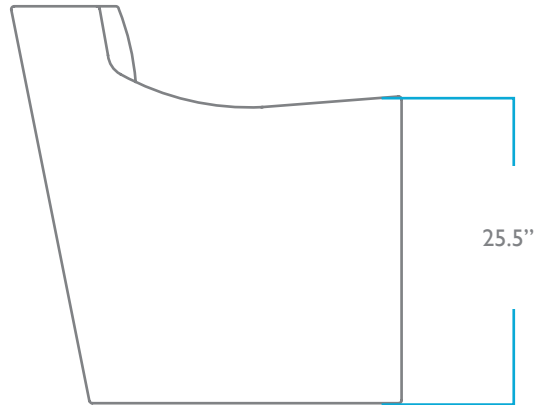
HELLO@COLEYHOME.COM

980.237.9861

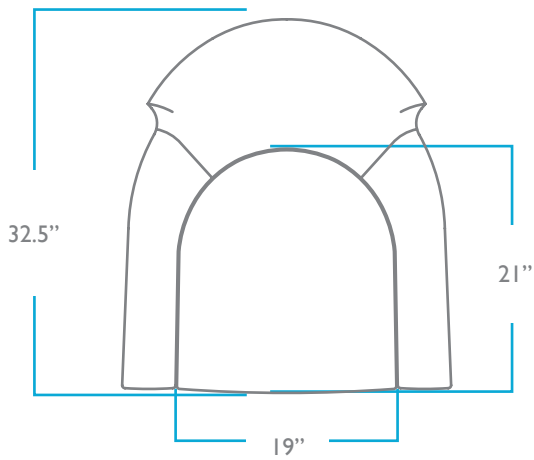
FRONT



SIDE



TOP



BACK



OVERALL

HEIGHT: 32"

WIDTH: 28.5"

DEPTH: 32.5"

ARM HEIGHT: 25.5"

SEAT

HEIGHT: 18"

DEPTH: 21"

PACK WEIGHT

85 LBS



The Dressmaker Nash Swivel Glider is casual, inviting and creates a moment of relaxation for any room. Its clean lines and welt detail are a beautiful palette for customization. Available as a swivel (rotating side to side) or swivel glider (rotating side to side and rotating back and forth).

FRAME CONSTRUCTION

WOOD:

Responsibly harvested engineered hardwood with interlocking glued joints that are corner blocked for durability

SPRINGS:

Heavy gauge wire sinuous springs made of 80% recycled metal

POLY:

All of the foam used in our pieces is CertiPUR-US® certified. None of the foam used in our products contain flame retardants. All of our products are TB117-2013 compliant

MOVEMENT:

360° Swivel

CUSHION CONTENT

BACK CUSHION:

Our Plush Back Cushions are made of 100% microfiber. This high end fill provides a resilient back which will help your cushions keep their shape over time. Plush fill is also hypoallergenic and environmentally friendly.

SEAT CUSHION:

Seat cushions feature a high-resilient foam core that is wrapped in a fiber-down blend and sewn into a down-proof ticking.

AVAILABLE CUSTOMIZATIONS

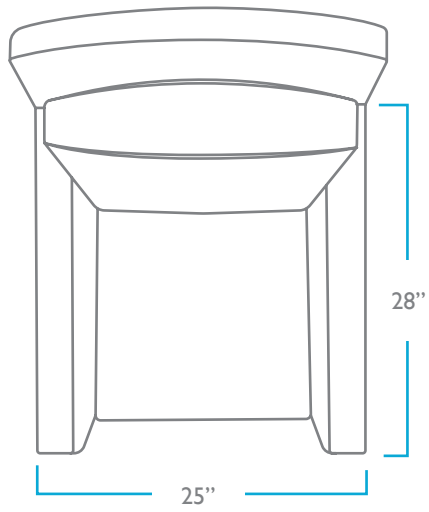
STATIONARY, SWIVEL, OR
SWIVEL GLIDER
CONTRAST WELT
CONTRAST BAND OR TRIM

QUESTIONS?

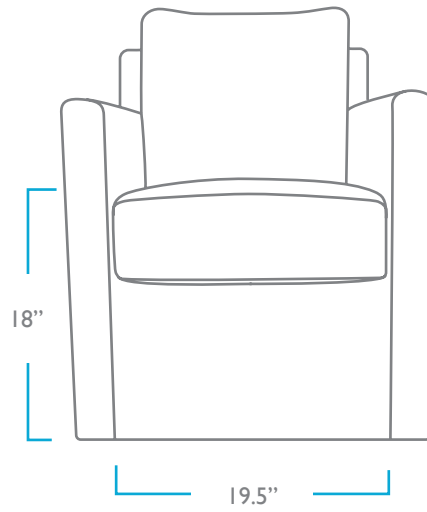
HELLO@COLEYHOME.COM

980.237.9861

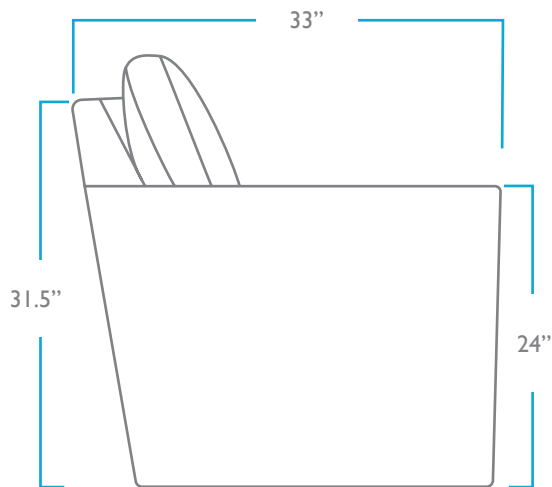
FRONT



SIDE



TOP



BACK



OVERALL
HEIGHT: 31.5"
WIDTH: 25.5"
DEPTH: 33"
ARM HEIGHT: 24"

SEAT
HEIGHT: 18"
WIDTH: 19.5"
DEPTH: 28"

PACK WEIGHT
80 LBS



The Nash Swivel Glider is casual, inviting and creates a moment of relaxation for any room. Its clean lines and breezy slipcover are a beautiful palette for customization. The slipcover is easy to clean and replace as needed. Available as a swivel (rotating side to side) or swivel glider (rotating side to side and rotating back and forth).

FRAME CONSTRUCTION

WOOD:

Responsibly harvested engineered hardwood with interlocking glued joints that are corner blocked for durability

SPRINGS:

Heavy gauge wire sinuous springs made of 80% recycled metal

POLY:

All of the foam used in our pieces is CertiPUR-US® certified. None of the foam used in our products contain flame retardants. All of our products are TB117-2013 compliant

MOVEMENT:

360° Swivel

CUSHION CONTENT

BACK CUSHION:

Our Plush Back Cushions are made of 100% microfiber. This high end fill provides a resilient back which will help your cushions keep their shape over time. Plush fill is also hypoallergenic and environmentally friendly.

SEAT CUSHION:

Seat cushions feature a high-resilient foam core that is wrapped in a fiber-down blend and sewn into a down-proof ticking.

AVAILABLE CUSTOMIZATIONS

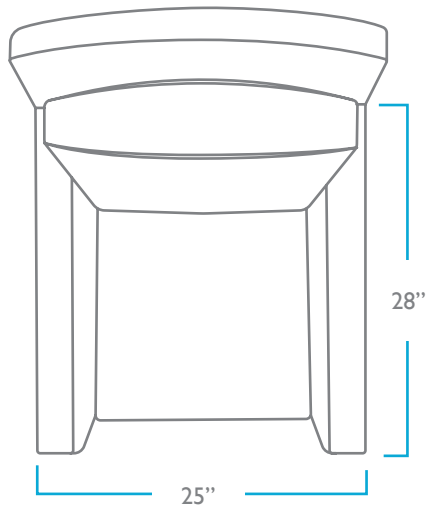
STATIONARY, SWIVEL, OR SWIVEL GLIDER

QUESTIONS?

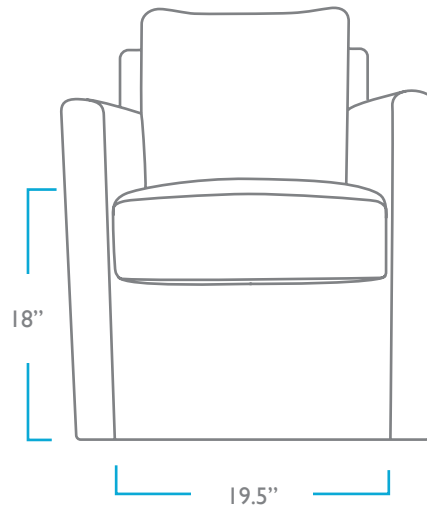
HELLO@COLEYHOME.COM

980.237.9861

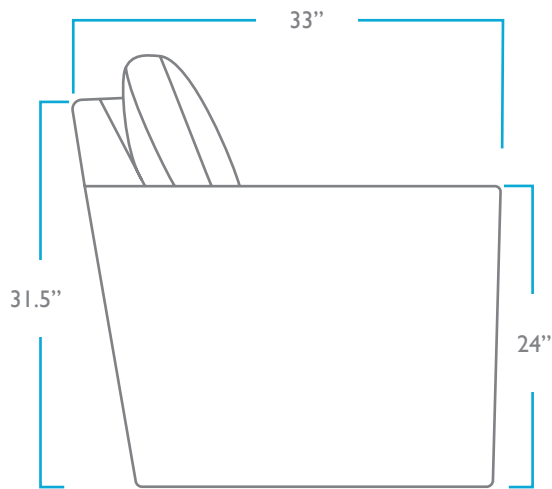
FRONT



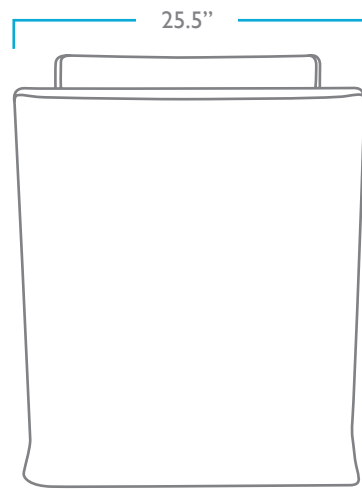
SIDE



TOP



BACK



OVERALL

HEIGHT: 31.5"
WIDTH: 25.5"
DEPTH: 33"
ARM HEIGHT: 24"

SEAT

HEIGHT: 18"
WIDTH: 19.5"
DEPTH: 28"

PACK WEIGHT

80 LBS



A roomy chair perfect for breakfast nooks and casual dining spaces, the Palmer is both functional and beautiful. The Palmer is slipcovered for easy maintenance and features castors for mobility. A plush seat cushion provides even more comfort.

FRAME CONSTRUCTION

WOOD:

Responsibly harvested engineered hardwood with interlocking glued joints that are corner blocked for durability

SPRINGS:

Supportive, durable elastic webbed base

POLY:

All of the foam used in our pieces is CertiPUR-US® certified. None of the foam used in our products contain flame retardants. All of our products are TBI 17-2013 compliant

MOVEMENT:

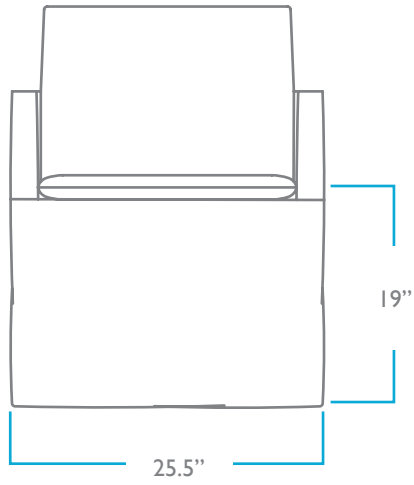
Castors

QUESTIONS?

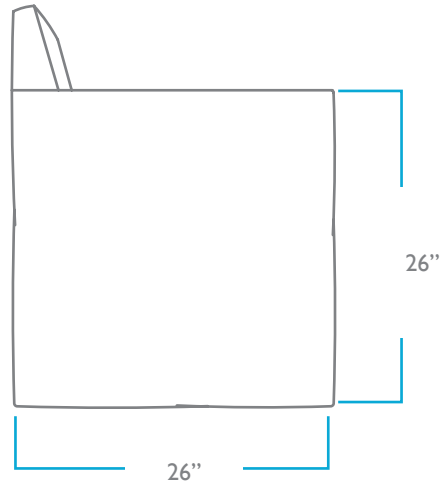
HELLO@COLEYHOME.COM

980.237.9861

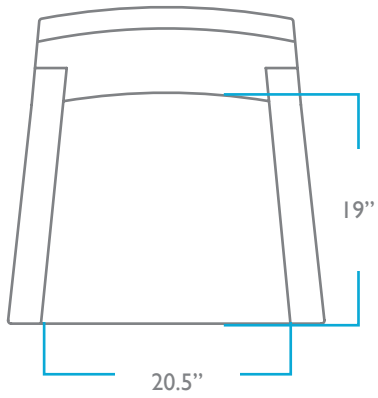
FRONT



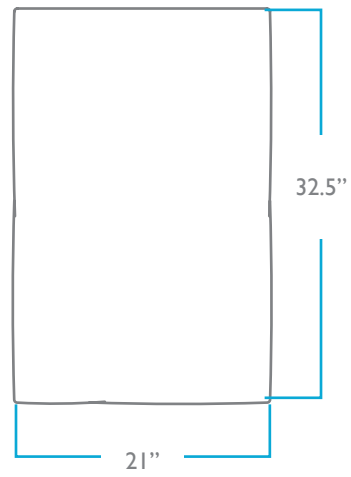
SIDE



TOP



BACK



OVERALL

HEIGHT: 32.5"
WIDTH: 25.5"
DEPTH: 26"
ARM HEIGHT: 26"

SEAT

HEIGHT: 19"
DEPTH: 19"

PACK WEIGHT

30 LBS



Dine in style with the clean lines of the sleek, slipcovered Parker Dining Chair. Equipped with castors for easy mobility, the Parker provides a comfortable seat for your dinner guests.

FRAME CONSTRUCTION

WOOD:

Responsibly harvested engineered hardwood with interlocking glued joints that are corner blocked for durability

SPRINGS:

Supportive, durable elastic webbed base

POLY:

All of the foam used in our pieces is CertiPUR-US® certified. None of the foam used in our products contain flame retardants. All of our products are TBI 17-2013 compliant

MOVEMENT:

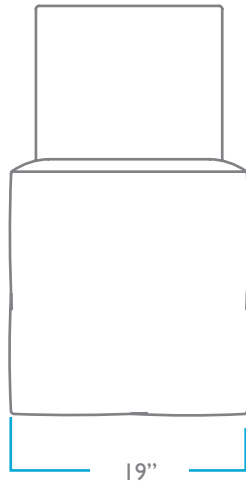
Castors

QUESTIONS?

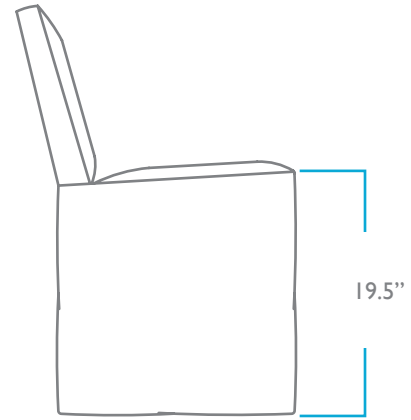
HELLO@COLEYHOME.COM

980.237.9861

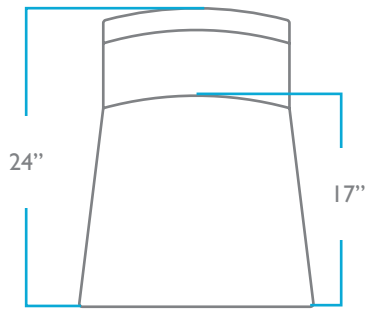
FRONT



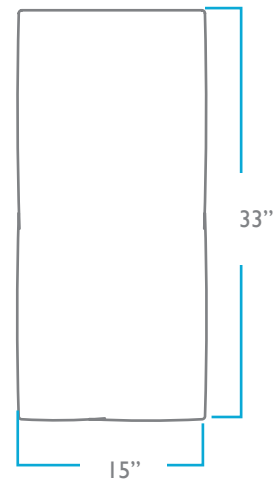
SIDE



TOP



BACK



OVERALL

HEIGHT: 33"
WIDTH: 23.5"
DEPTH: 24"
ARM HEIGHT: 27"

SEAT

HEIGHT: 19.5"
DEPTH: 17"

PACK WEIGHT

30 LBS



Dine in style with the clean lines of the sleek, slipcovered Piper Dining Chair. Equipped with castors for easy mobility, the Piper provides a comfortable seat for your dinner guests.

FRAME CONSTRUCTION

WOOD:

Responsibly harvested engineered hardwood with interlocking glued joints that are corner blocked for durability

SPRINGS:

Supportive, durable elastic webbed base

POLY:

All of the foam used in our pieces is CertiPUR-US® certified. None of the foam used in our products contain flame retardants. All of our products are TBI 17-2013 compliant

MOVEMENT:

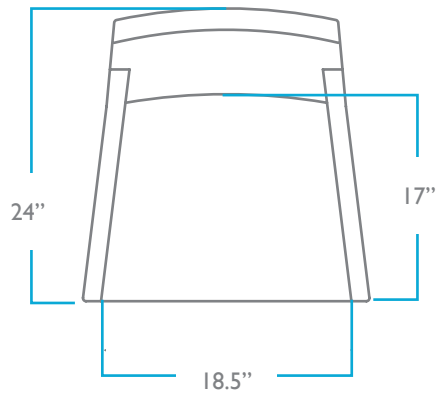
Castors

QUESTIONS?

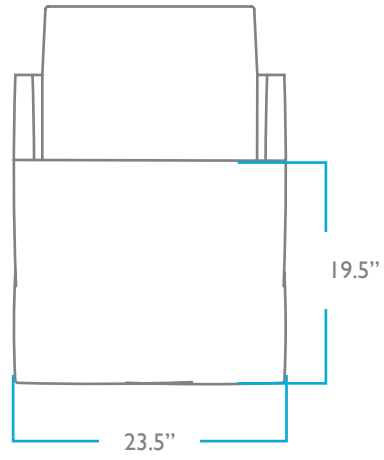
HELLO@COLEYHOME.COM

980.237.9861

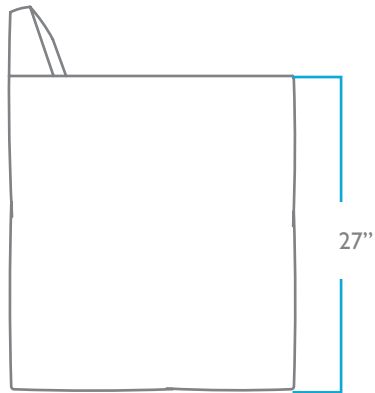
TOP



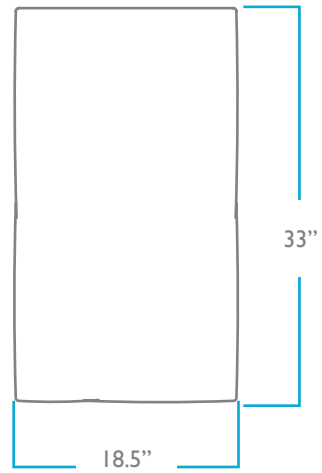
FRONT



SIDE



BACK



OVERALL

HEIGHT: 33"

WIDTH: 20"

DEPTH: 31.5"

SEAT

HEIGHT: 17.5"

DEPTH: 17.5"

PACK WEIGHT

70 LBS



Our Poppy Trundle Sleeper Sofa is the perfect piece for a multipurpose space. By day, this chic and cozy sofa is the perfect lounging spot. By night, this piece transforms into a bed for movies and sleepovers.

FRAME CONSTRUCTION

WOOD:

Responsibly harvested engineered hardwood with interlocking glued joints that are corner blocked for durability

SPRINGS:

Heavy gauge wire sinuous springs made of 80% recycled metal

POLY:

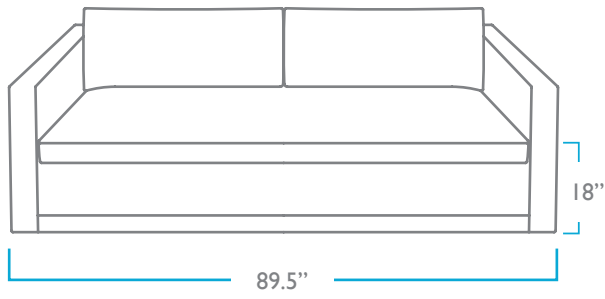
All of the foam used in our pieces is CertiPUR-US® certified. None of the foam used in our products contain flame retardants. All of our products are TB117-2013 compliant

QUESTIONS?

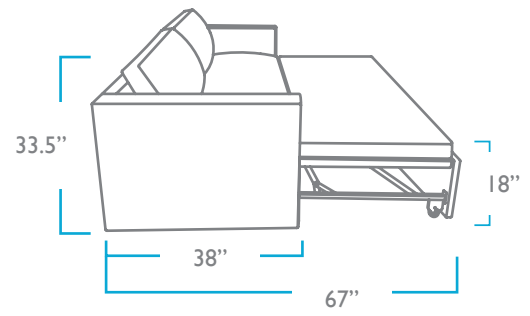
HELLO@COLEYHOME.COM

980.237.9861

FRONT



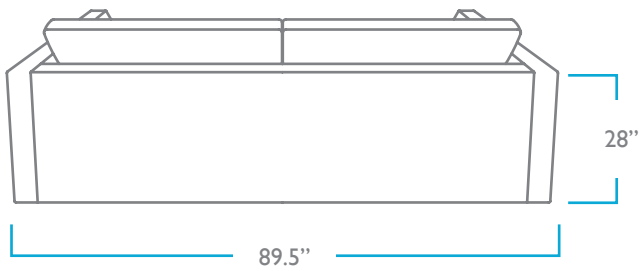
SIDE



TOP



BACK



OVERALL

HEIGHT: 33.5"
WIDTH: 89.5"
LENGTH: 67"
DEPTH: 38"

SEAT

HEIGHT: 18"
DEPTH: 23"

PACK WEIGHT

270 LBS



A beautiful complement to the Crown Bed, our upholstered Porter Side tables feature a streamlined structure and are customizable with our 80+ versatile fabrics. The solid back hides any cords, keeping the bedside clutter-free. Available in three sizes and perfect for spaces large and small.

FRAME CONSTRUCTION

WOOD:

Responsibly harvested engineered hardwood with interlocking glued joints that are corner blocked for durability

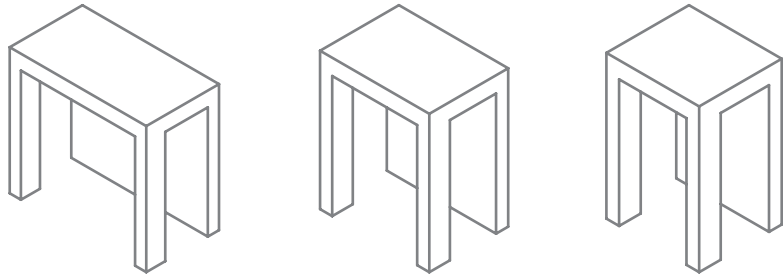
POLY:

All of the foam used in our pieces is CertiPUR-US® certified. None of the foam used in our products contain flame retardants. All of our products are TB117-2013 compliant

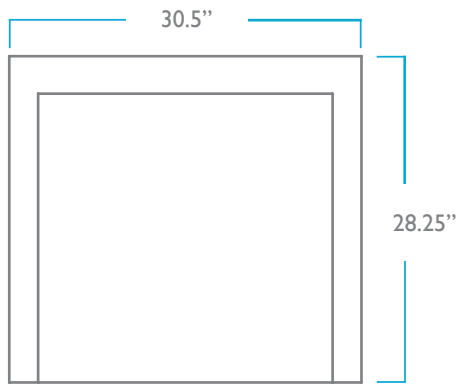
QUESTIONS?

HELLO@COLEYHOME.COM

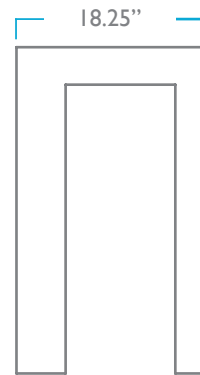
980.237.9861



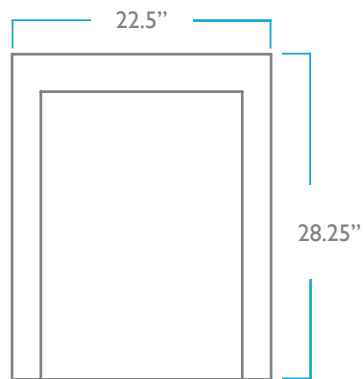
LARGE



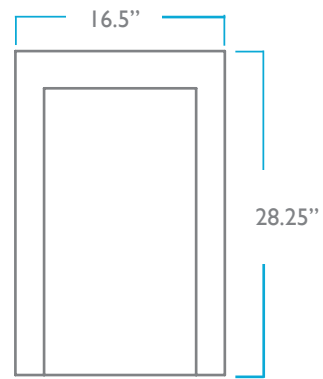
DEPTH FOR ALL SIZES



MEDIUM



SMALL



OVERALL

HEIGHT: 28.25"

DEPTH: 18.25"

PACK WEIGHT

SMALL: 30 LBS

MEDIUM: 35 LBS

LARGE: 40 LBS



Our popular Shiitake Ottoman got an upgrade with the larger Portobello Ottoman. The chic round shape paired with comfortable details make this ottoman ideal for a cozy den. For an extra dose of texture, add a contrast top.

FRAME CONSTRUCTION

WOOD:

Responsibly harvested engineered hardwood with interlocking glued joints that are corner blocked for durability

SPRINGS:

Supportive, durable elastic webbed base

POLY:

All of the foam used in our pieces is CertiPUR-US® certified. None of the foam used in our products contain flame retardants. All of our products are TBI 17-2013 compliant

AVAILABLE CUSTOMIZATIONS

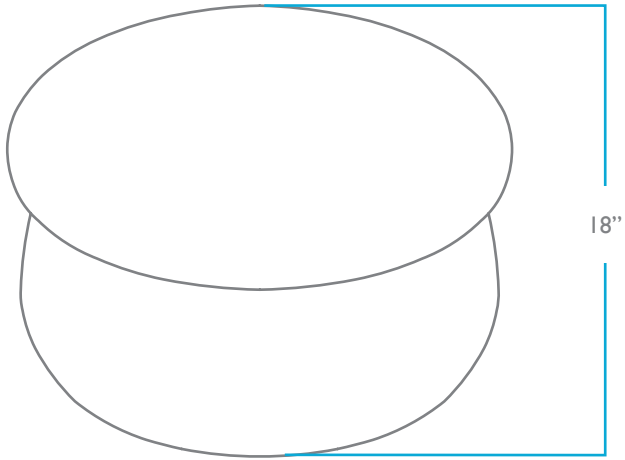
CONTRAST TOP

QUESTIONS?

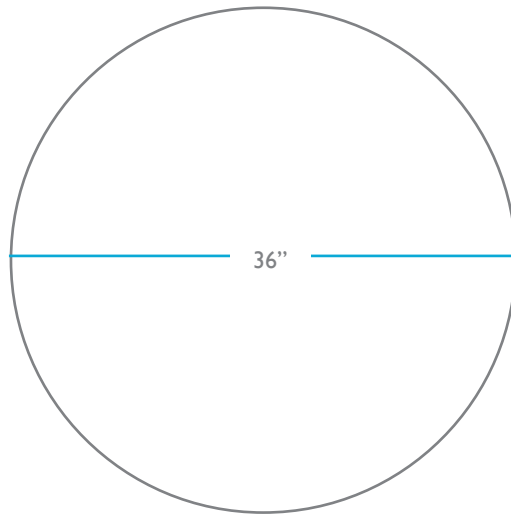
HELLO@COLEYHOME.COM

980.237.9861

SIDE



FRONT



OVERALL
HEIGHT: 18"
WIDTH: 36"

PACK WEIGHT
60 LBS



Our Pouf provides a plush, comfortable extra seat and a playful accent for the bedroom or playroom. It also serves as a comfortable footrest for our Nash Swivel Glider.

FRAME CONSTRUCTION

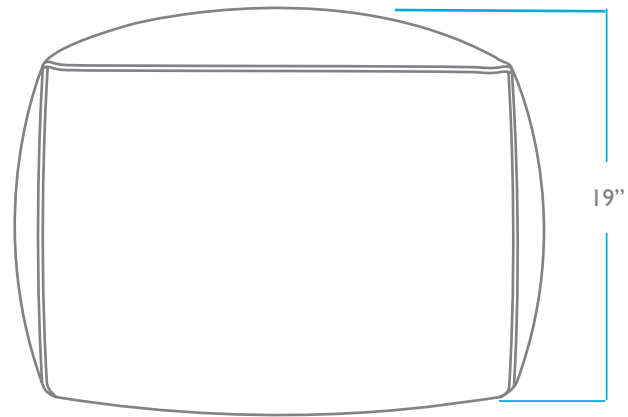
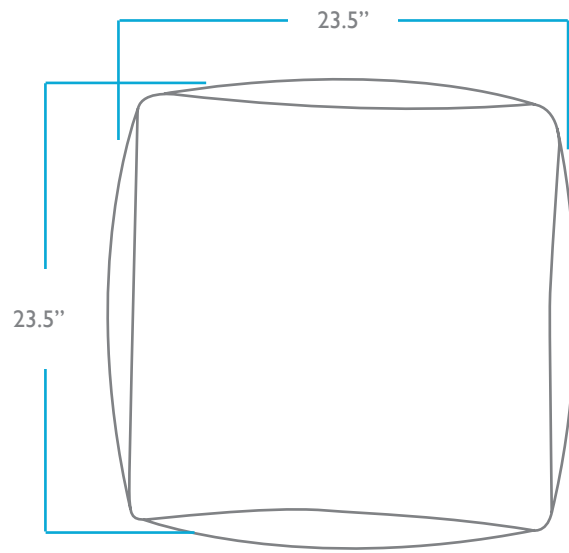
POLY:

All of the foam used in our pieces is CertiPUR-US® certified. None of the foam used in our products contain flame retardants. All of our products are TB117-2013 compliant

QUESTIONS?

HELLO@COLEYHOME.COM

980.237.9861



OVERALL
HEIGHT: 19"
DEPTH: 23.5"

PACK WEIGHT
20 LBS



Sure to be a timeless staple in your home, the Reilly Swivel is available as a swivel or a swivel glider. The swooping arms paired with a plush back cushion give this piece long-lasting comfort. Add a contrast welt for an extra pop of detail. Available slipcovered or upholstered.

FRAME CONSTRUCTION

WOOD:

Responsibly harvested engineered hardwood with interlocking glued joints that are corner blocked for durability

SPRINGS:

Heavy gauge wire sinuous springs made of 80% recycled metal

POLY:

All of the foam used in our pieces is CertiPUR-US® certified. None of the foam used in our products contain flame retardants. All of our products are TB117-2013 compliant

MOVEMENT:

360° Swivel

CUSHION CONTENT

BACK CUSHION:

Our Plush Back Cushions are made of 100% microfiber. This high end fill provides a resilient back which will help your cushions keep their shape over time. Plush fill is also hypoallergenic and environmentally friendly.

SEAT CUSHION:

Seat cushions feature a high-resilient foam core that is wrapped in a fiber-down blend and sewn into a down-proof ticking.

AVAILABLE CUSTOMIZATIONS

SLIPCOVERED

OR UPHOLSTERED

CONTRAST WELT*

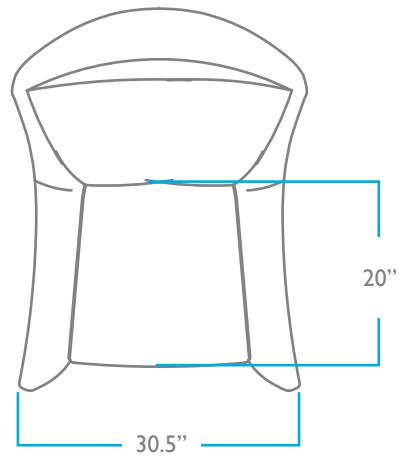
**UPHOLSTERED ONLY*

QUESTIONS?

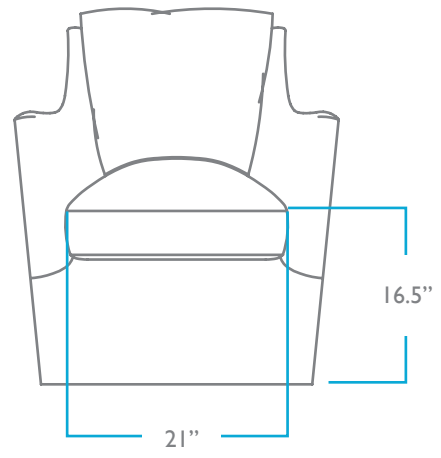
HELLO@COLEYHOME.COM

980.237.9861

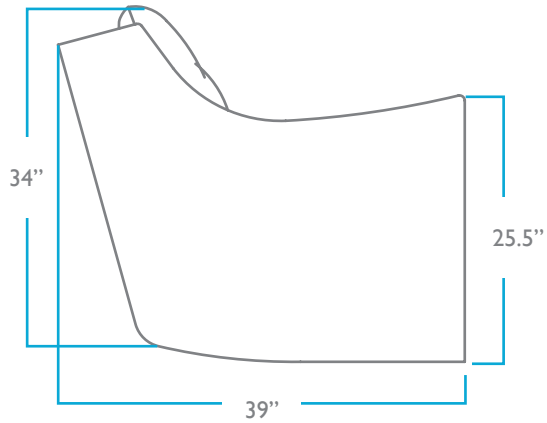
TOP



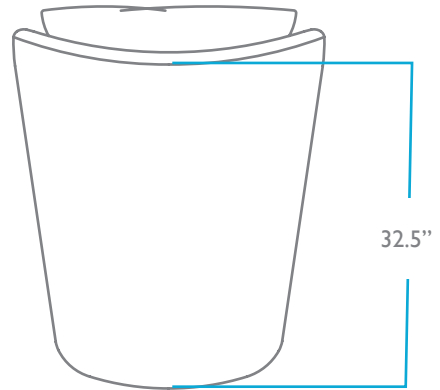
FRONT



SIDE



BACK



OVERALL

HEIGHT: 34"
WIDTH: 30.5"
DEPTH: 39"
ARM HEIGHT: 25.5"

SEAT

HEIGHT: 16.5"
DEPTH: 20"

PACK WEIGHT

SWIVEL: 80 LBS
SWIVEL GLIDER: 100 LBS



Quirky and cute, the Shiitake Ottoman livens up your space. Play with color and texture by adding contrasting mushroom top. Use as a footrest in front of a favorite swivel chair; or place next to a sofa for a funky accent.

FRAME CONSTRUCTION

WOOD:

Responsibly harvested engineered hardwood with interlocking glued joints that are corner blocked for durability

SPRINGS:

Supportive, durable elastic webbed base

POLY:

All of the foam used in our pieces is CertiPUR-US® certified. None of the foam used in our products contain flame retardants. All of our products are TB117-2013 compliant

AVAILABLE CUSTOMIZATIONS

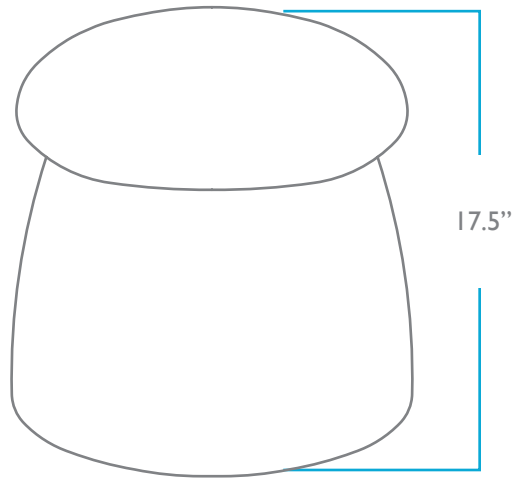
CONTRAST TOP

QUESTIONS?

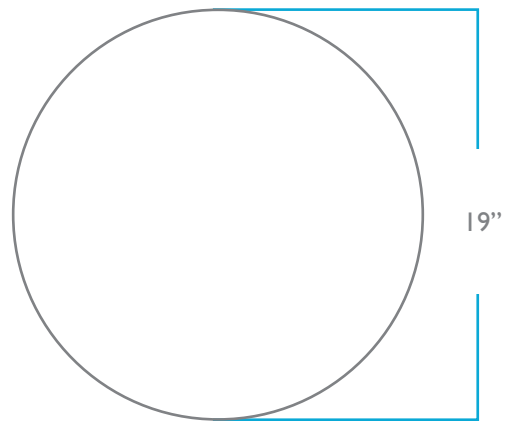
HELLO@COLEYHOME.COM

980.237.9861

SIDE



TOP



OVERALL
HEIGHT: 17.5"
DEPTH: 19"

PACK WEIGHT
25 LBS



Our Sophie Dining Chair is now available with a dressmaker skirt and castors. Add a contrast welt for a unique look.

FRAME CONSTRUCTION

WOOD:

Responsibly harvested engineered hardwood with interlocking glued joints that are corner blocked for durability

SPRINGS:

Supportive, durable elastic webbed base

POLY:

All of the foam used in our pieces is CertiPUR-US® certified. None of the foam used in our products contain flame retardants. All of our products are TBI 17-2013 compliant

MOVEMENT:

Castors

AVAILABLE CUSTOMIZATIONS

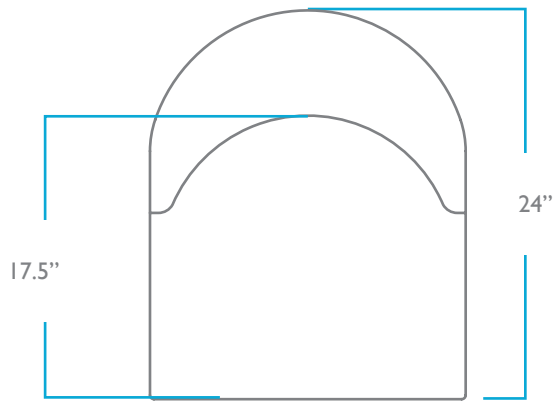
CONTRAST WELT

QUESTIONS?

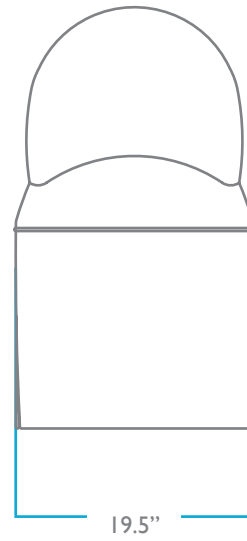
HELLO@COLEYHOME.COM

980.237.9861

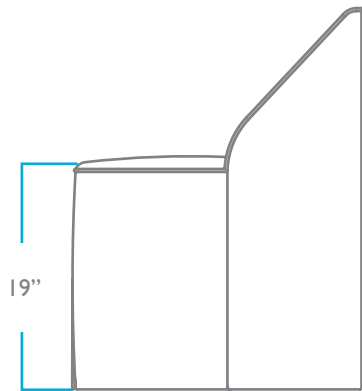
TOP



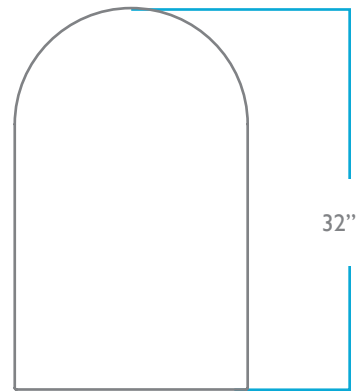
FRONT



SIDE



BACK



OVERALL

HEIGHT: 32"
WIDTH: 19.5"
DEPTH: 24"

SEAT

HEIGHT: 19"
DEPTH: 17.5"

PACK WEIGHT

50 LBS



The Sophie Dining Chair glows with personality. Sporting a modern, curved silhouette, the Sophie boasts several opportunities for customization. Add a contrast welt and a contrast outback to create a completely unique look.

FRAME CONSTRUCTION

WOOD:

Responsibly harvested engineered hardwood with interlocking glued joints that are corner blocked for durability

SPRINGS:

Supportive, durable elastic webbed base

POLY:

All of the foam used in our pieces is CertiPUR-US® certified. None of the foam used in our products contain flame retardants. All of our products are TB117-2013 compliant

AVAILABLE CUSTOMIZATIONS

CONTRAST OUTBACK

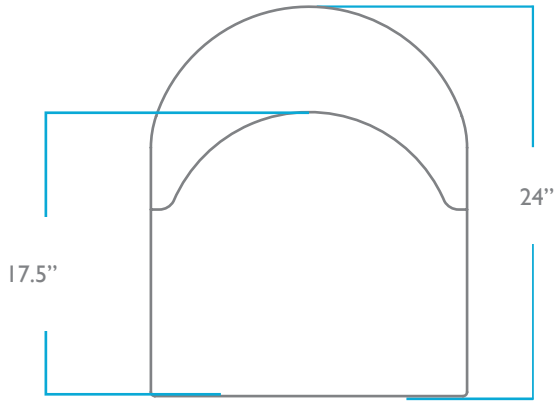
CONTRAST WELT

QUESTIONS?

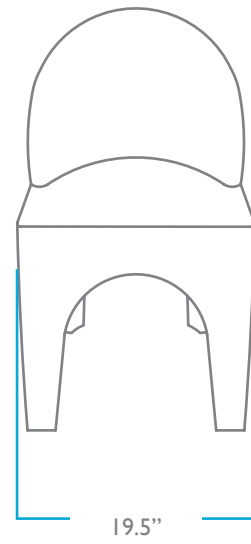
HELLO@COLEYHOME.COM

980.237.9861

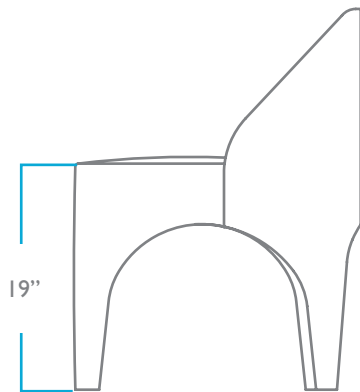
TOP



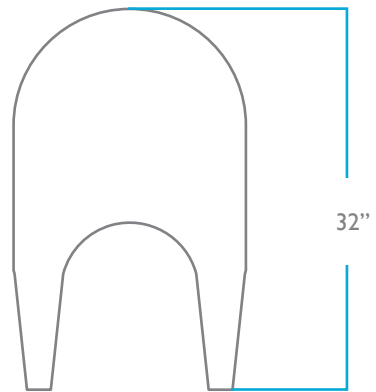
FRONT



SIDE



BACK



OVERALL

HEIGHT: 32"
WIDTH: 19.5"
DEPTH: 24"

SEAT

HEIGHT: 19"
DEPTH: 17.5"

PACK WEIGHT

50 LBS



With a cozy yet chic silhouette, the Teacup Swivel Chair will be a stylish addition to any living room. A plush seat cushion paired with the curved back makes for an ultra comfortable perch. Add a contrast welt for a pop of color.

FRAME CONSTRUCTION

WOOD:

Responsibly harvested engineered hardwood with interlocking glued joints that are corner blocked for durability

SPRINGS:

Supportive, durable elastic webbed base

POLY:

All of the foam used in our pieces is CertiPUR-US® certified. None of the foam used in our products contain flame retardants. All of our products are TBI 17-2013 compliant

MOVEMENT:

360° Swivel

CUSHION CONTENT

SEAT CUSHION:

Seat cushions feature a high-resilient foam core that is wrapped in a fiber-down blend and sewn into a down-proof ticking.

AVAILABLE CUSTOMIZATIONS

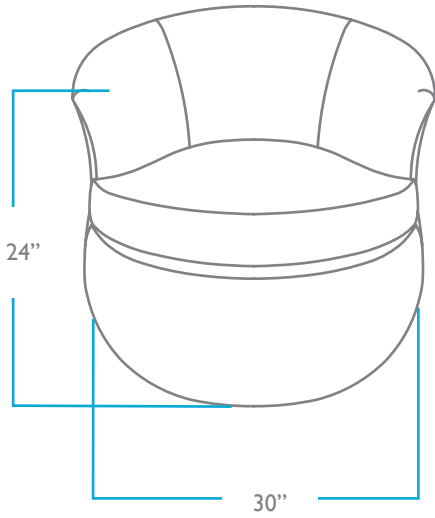
CONTRAST WELT

QUESTIONS?

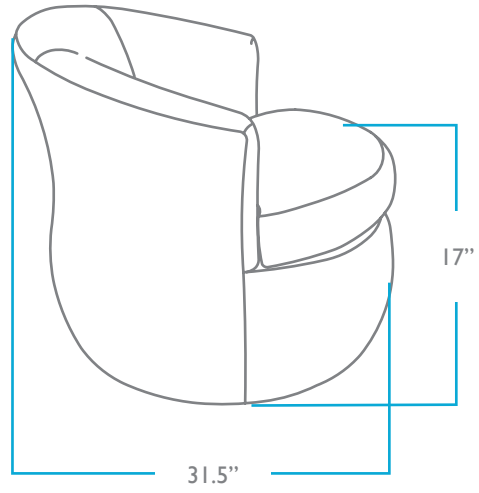
HELLO@COLEYHOME.COM

980.237.9861

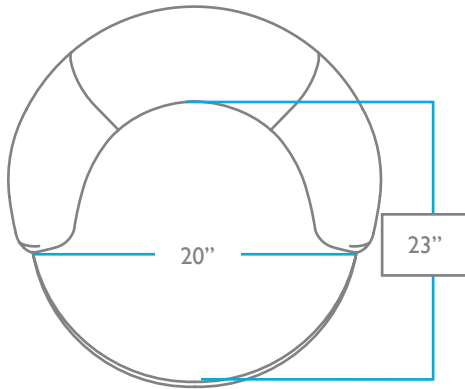
FRONT



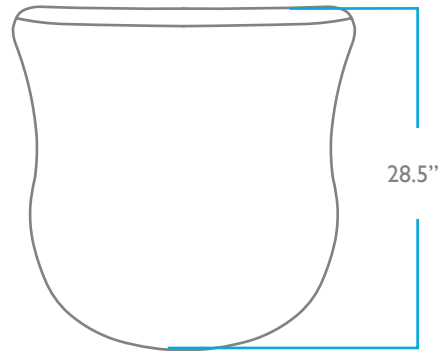
SIDE



TOP



BACK



OVERALL

HEIGHT: 28.5"
WIDTH: 30"
DEPTH: 31.5"
ARM HEIGHT: 24"

SEAT

HEIGHT: 17"
WIDTH: 20"
DEPTH: 24"

PACK WEIGHT

65 LBS



A convenient 360 degree swivel makes the Teeny Counter Stool both functional and a beautiful statement in your kitchen. For added customization, select a contrasting outback fabric or a contrast welt to play with texture and color.

FRAME CONSTRUCTION

WOOD:

Responsibly harvested engineered hardwood with interlocking glued joints that are corner blocked for durability

SPRINGS:

Supportive, durable elastic webbed base

POLY:

All of the foam used in our pieces is CertiPUR-US® certified. None of the foam used in our products contain flame retardants. All of our products are TB117-2013 compliant

MOVEMENT:

360° Swivel

WOOD FINISHES



WALNUT



WEATHERED OAK



SIMPLY WHITE



NATURAL



DUNE

AVAILABLE CUSTOMIZATIONS

CONTRAST OUTBACK

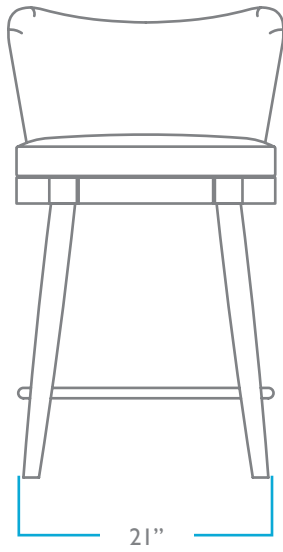
CONTRAST WELT

QUESTIONS?

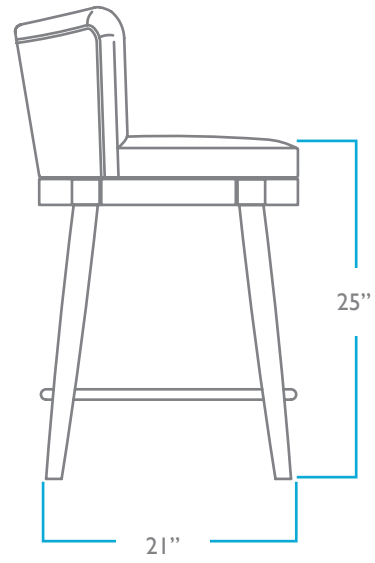
HELLO@COLEYHOME.COM

980.237.9861

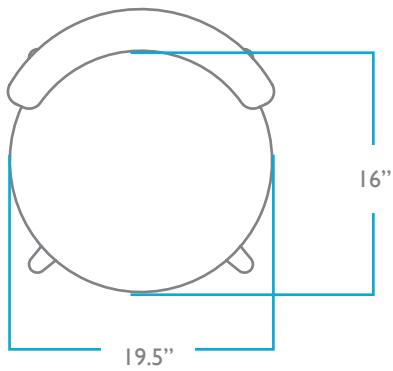
FRONT



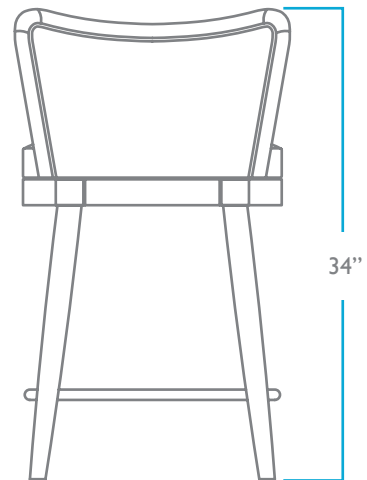
SIDE



TOP



BACK



OVERALL

HEIGHT: 34"

WIDTH: 21"

DEPTH: 21"

SEAT

HEIGHT: 25"

WIDTH: 19.5"

DEPTH: 16"

PACK WEIGHT

35 LBS



The Teeny Dining Chair is available in 80+ fabrics and is the perfect height for a dining or desk chair. The swivel base combined with the opportunities for customization make it both beautiful and functional.

FRAME CONSTRUCTION

WOOD:

Responsibly harvested engineered hardwood with interlocking glued joints that are corner blocked for durability

SPRINGS:

Supportive, durable elastic webbed base

POLY:

All of the foam used in our pieces is CertiPUR-US® certified. None of the foam used in our products contain flame retardants. All of our products are TB117-2013 compliant

MOVEMENT:

360° Swivel

WOOD FINISHES



WALNUT



WEATHERED
OAK



SIMPLY
WHITE



NATURAL



DUNE

AVAILABLE CUSTOMIZATIONS

CONTRAST OUTBACK

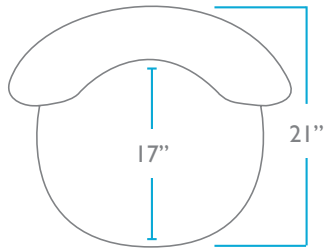
CONTRAST WELT

QUESTIONS?

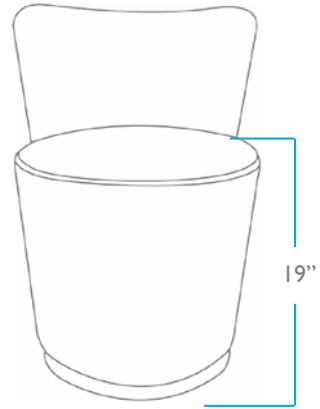
HELLO@COLEYHOME.COM

980.237.9861

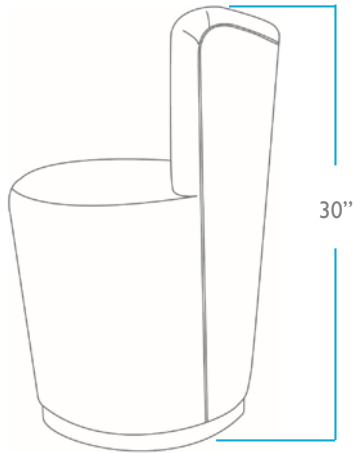
TOP



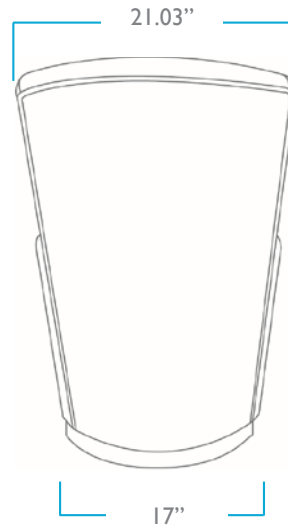
FRONT



SIDE



BACK



OVERALL

HEIGHT: 30"

TOP WIDTH: 21.03"

BOTTOM WIDTH: 17"

DEPTH: 21"

SEAT

HEIGHT: 19"

DEPTH: 17"

PACK WEIGHT

35 LBS



The Teeny Swivel is available in 70+ fabrics. It is incredibly stylish as a desk or vanity chair, and is perfect for maximizing seating in small spaces. The swivel base combined with the opportunities for customization make it both beautiful and functional.

FRAME CONSTRUCTION

WOOD:

Responsibly harvested engineered hardwood with interlocking glued joints that are corner blocked for durability

SPRINGS:

Supportive, durable elastic webbed base

POLY:

All of the foam used in our pieces is CertiPUR-US® certified. None of the foam used in our products contain flame retardants. All of our products are TB117-2013 compliant

MOVEMENT:

360° Swivel

WOOD FINISHES



WALNUT



WEATHERED OAK



SIMPLY WHITE



NATURAL



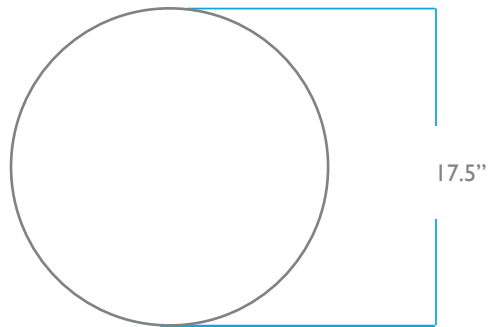
DUNE

QUESTIONS?

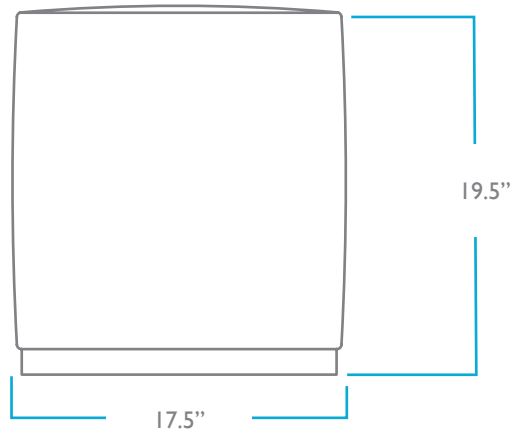
HELLO@COLEYHOME.COM

980.237.9861

TOP



SIDE



OVERALL
HEIGHT: 19.5"
DEPTH: 17.5"

PACK WEIGHT
30 LBS



The Teeny Swivel is incredibly stylish as a desk or vanity chair, and is perfect for maximizing seating in small spaces. The swivel base combined with the opportunities for customization make it both beautiful and functional.

FRAME CONSTRUCTION

WOOD:

Responsibly harvested engineered hardwood with interlocking glued joints that are corner blocked for durability

SPRINGS:

Supportive, durable elastic webbed base

MOVEMENT:

360° Swivel

CUSHION CONTENT

BACK CUSHION:

Our Plush Back Cushions are made of 100% microfiber. This high end fill provides a resilient back which will help your cushions keep their shape over time. Plush fill is also hypoallergenic and environmentally friendly

SEAT CUSHION:

Seat cushions feature a high-resilient foam core that is wrapped in a fiber-down blend and sewn into a down-proof ticking

AVAILABLE CUSTOMIZATIONS

- CONTRAST WELT
- CONTRAST OUTBACK
- WOOD FINISH

**ALSO AVAILABLE IN
DINING HEIGHT**

WOOD FINISHES



WALNUT



WEATHERED OAK



SIMPLY WHITE



NATURAL



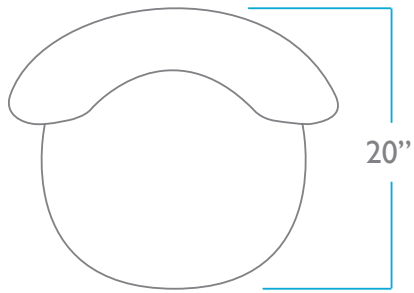
DUNE

QUESTIONS?

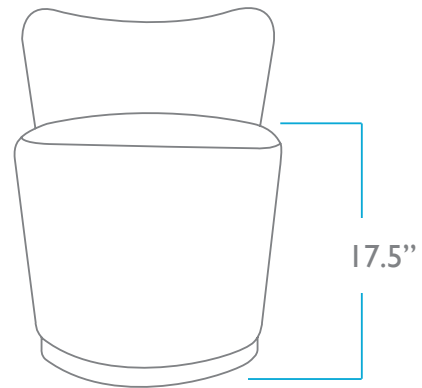
HELLO@COLEYHOME.COM

980.237.9861

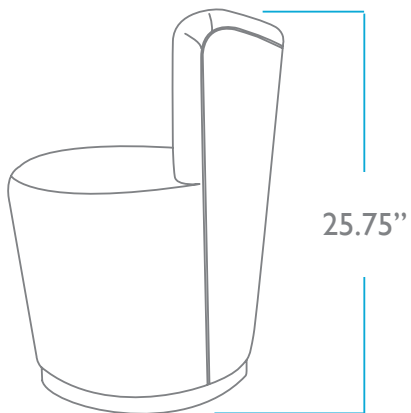
FRONT



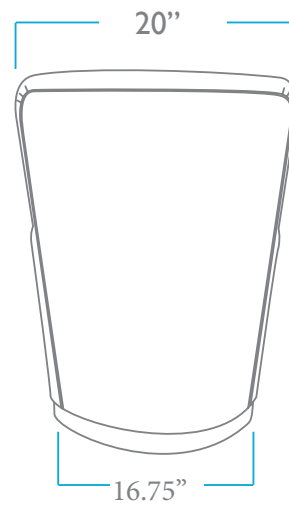
SIDE



TOP



BACK



OVERALL

HEIGHT: 25.75"

TOP WIDTH: 20"

BASE WIDTH: 16.75"

DEPTH: 20"

SEAT

HEIGHT: 17.5"

WEIGHT

35 LBS



For those seeking to add modern flair to your home, the Toddy Swivel is the chair for you. The perfectly round shape envelopes you in comfort, ensuring a perch that's both comfy and stylish. The Toddy is especially fabulous in a bright, eye-catching fabric.

FRAME CONSTRUCTION

WOOD:

Responsibly harvested engineered hardwood with interlocking glued joints that are corner blocked for durability

SPRINGS:

Heavy gauge wire sinuous springs made of 80% recycled metal

POLY:

All of the foam used in our pieces is CertiPUR-US® certified. None of the foam used in our products contain flame retardants. All of our products are TB117-2013 compliant

MOVEMENT:

360° Swivel

CUSHION CONTENT

SEAT CUSHION:

Seat cushions feature a high-resilient foam core that is wrapped in a fiber-down blend and sewn into a down-proof ticking.

AVAILABLE CUSTOMIZATIONS

CONTRAST OUTBACK

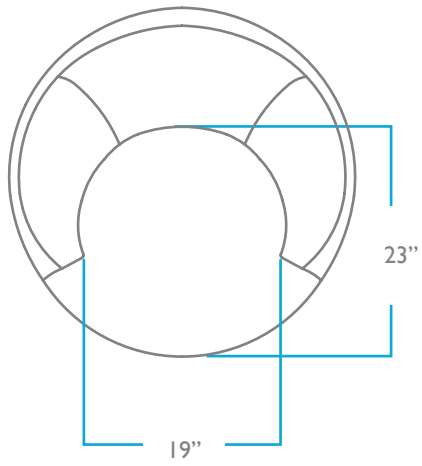
CONTRAST WELT

QUESTIONS?

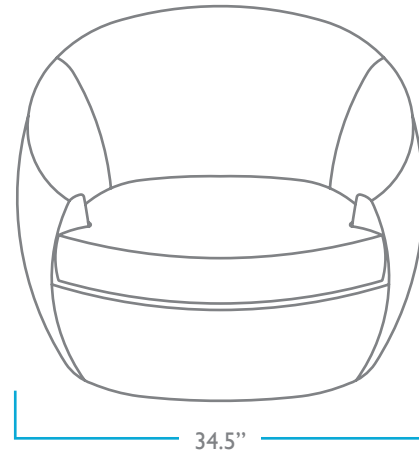
HELLO@COLEYHOME.COM

980.237.9861

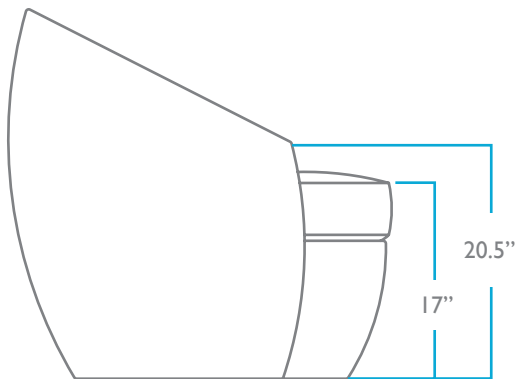
TOP



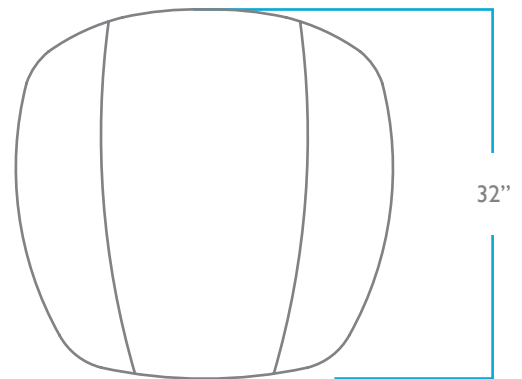
FRONT



SIDE



BACK



OVERALL

HEIGHT: 32"

WIDTH: 34.5"

ARM HEIGHT: 20.5"

SEAT

HEIGHT: 17"

DEPTH: 23"

PACK WEIGHT

85 LBS



Providing a soothing foundation for your bedroom, the fully upholstered Wright Bed boasts a stately oak frame in your choice of four hand-stained finishes. Beautifully upholstered in one of our 80+ fabrics, the Wright Bed is classically elegant. A platform bed frame ensures seamless assembly and convenient comfort. Available in King and Queen sizes. Also available without the footboard.

FRAME CONSTRUCTION

WOOD:

Responsibly harvested engineered hardwood with interlocking glued joints that are corner blocked for durability

POLY:

All of the foam used in our pieces is CertiPUR-US® certified. None of the foam used in our products contain flame retardants. All of our products are TB117-2013 compliant

AVAILABLE CUSTOMIZATIONS

WITH OR WITHOUT
FOOTBOARD
CONTRAST WELT

WOOD FINISHES



WALNUT



WEATHERED
OAK



SIMPLY
WHITE



NATURAL



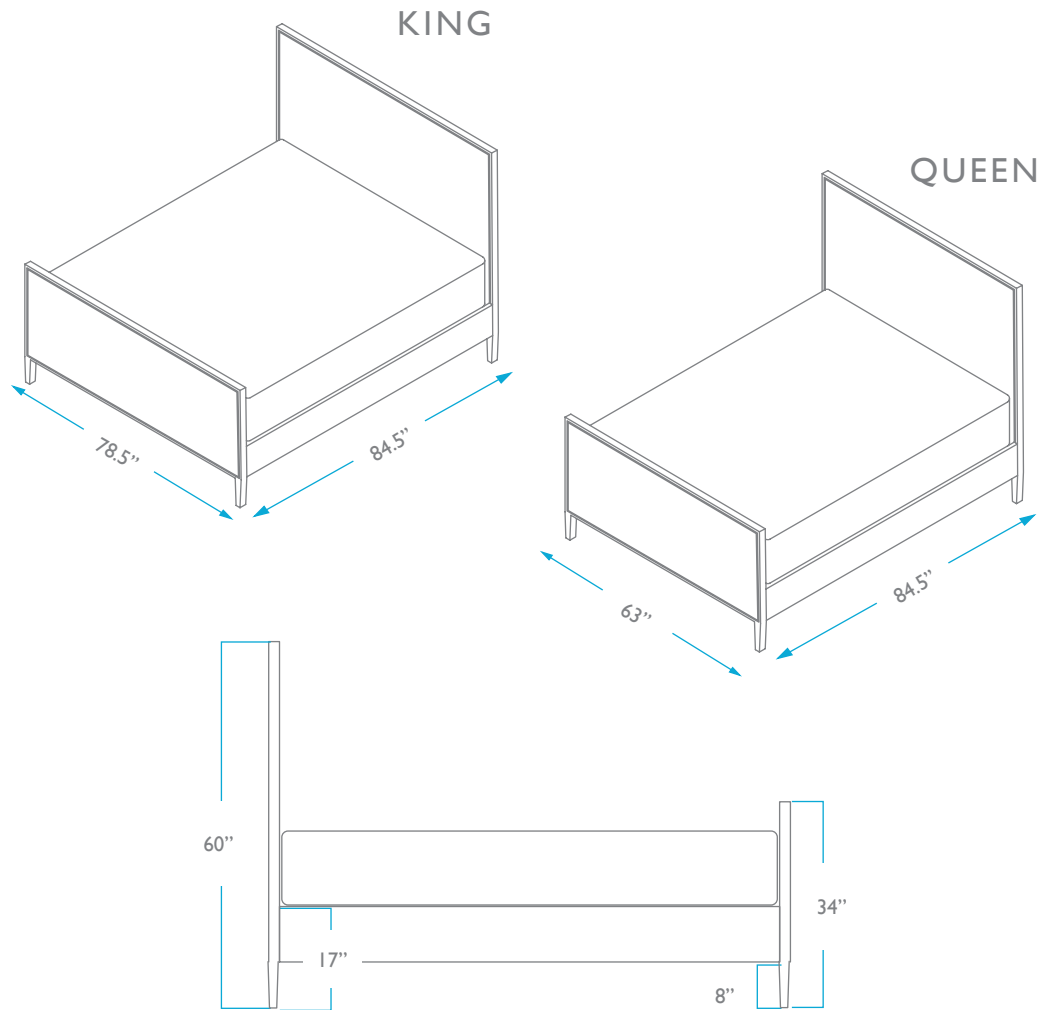
DUNE

QUESTIONS?

HELLO@COLEYHOME.COM

980.237.9861

WITH FOOTBOARD



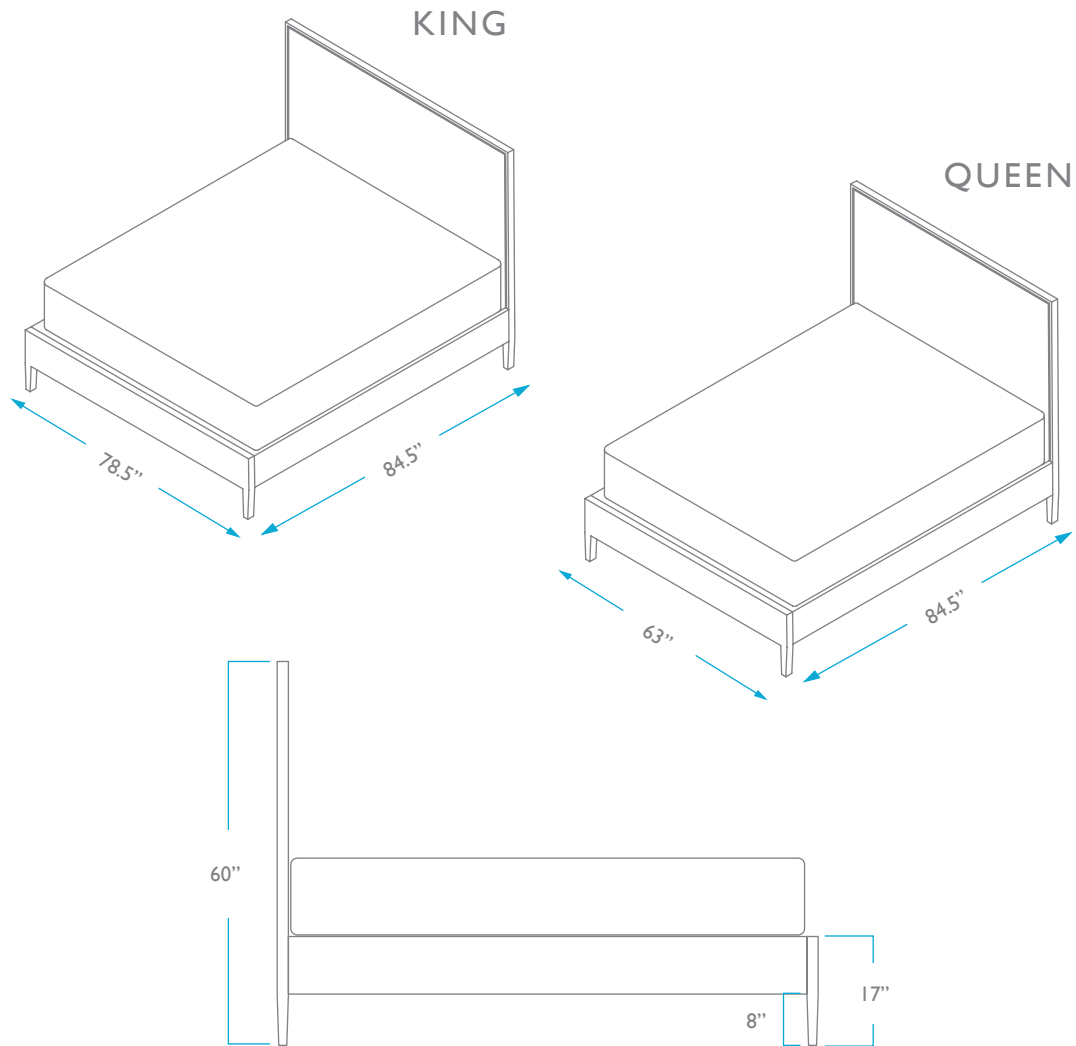
OVERALL

HEIGHT: 60"
KING WIDTH: 78.5"
QUEEN WIDTH: 63"
DEPTH: 84.5"

PACK WEIGHT

KING: 190 LBS
QUEEN: 180 LBS

WITHOUT FOOTBOARD



OVERALL

HEIGHT: 60"

KING WIDTH: 78.5"

QUEEN WIDTH: 63"

DEPTH: 84.5"

PACK WEIGHT

KING: 190 LBS

QUEEN: 180 LBS