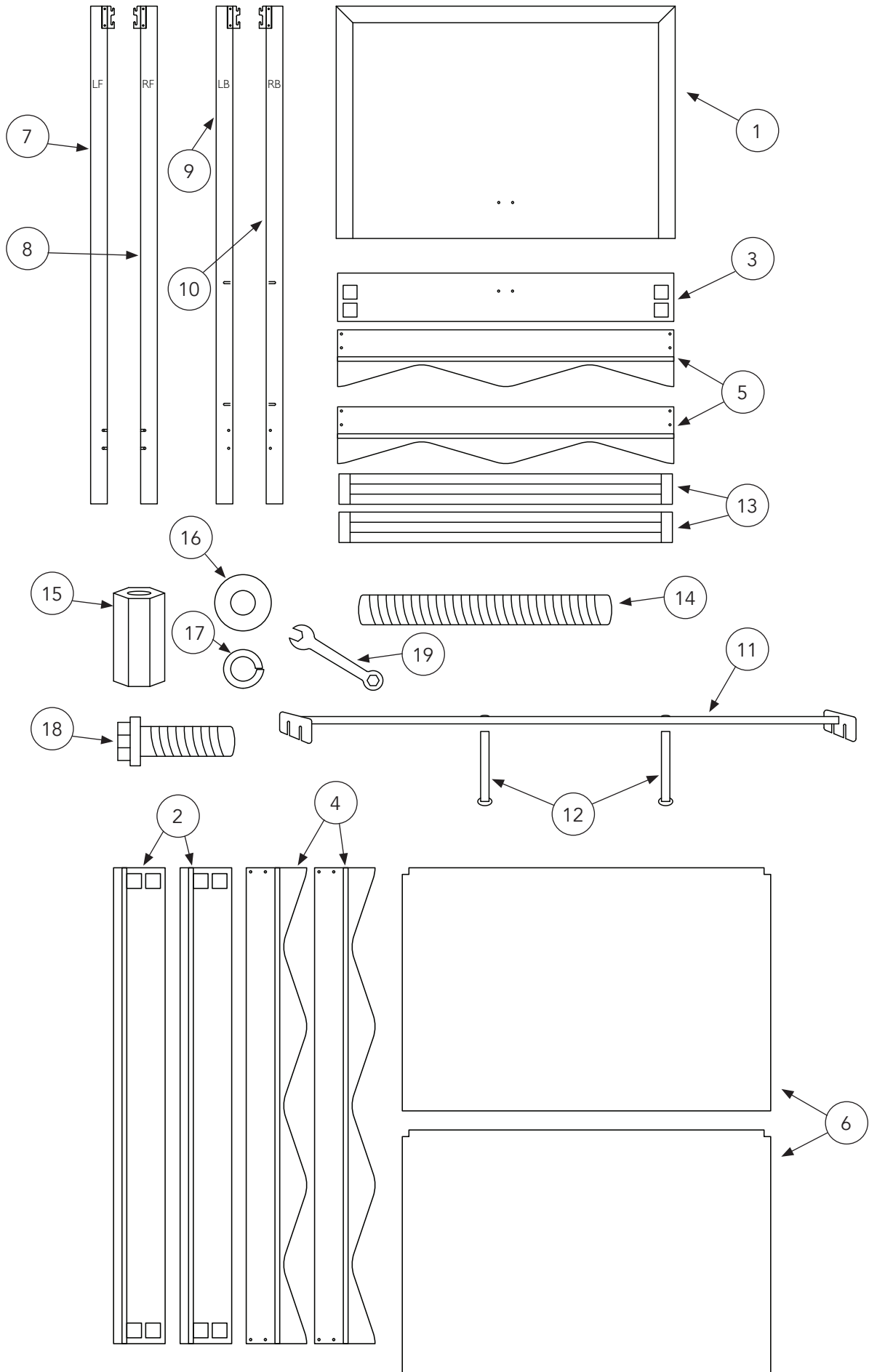




# COLEY HOME

## CANOPY BED ASSEMBLY GUIDE



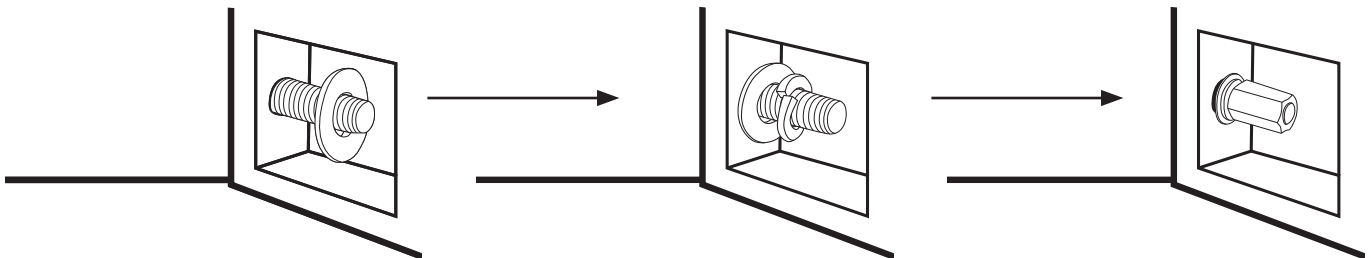
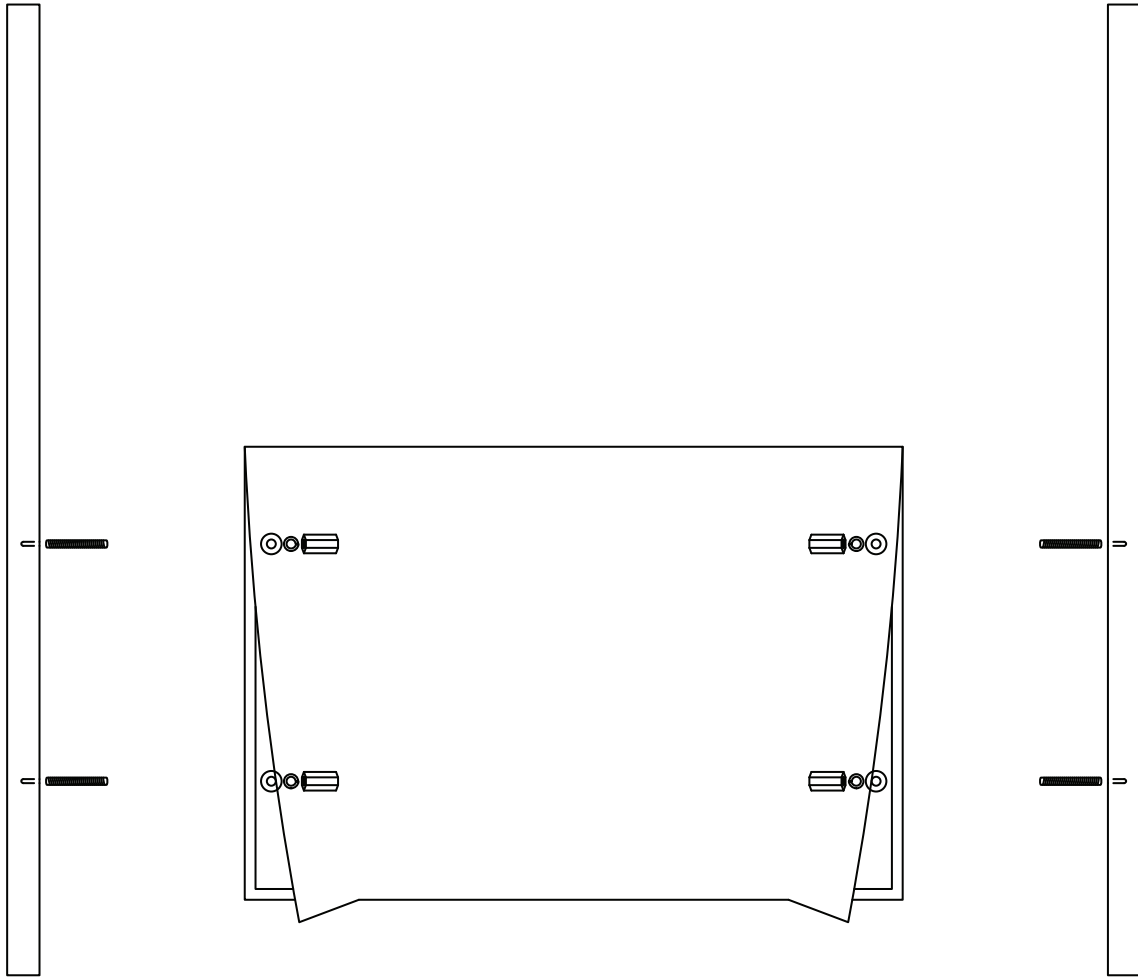


<b>ITEM NUMBER</b>	<b>DESCRIPTION</b>	<b>QUANTITY</b>
1	HEADBOARD	1
2	SIDE RAIL	2
3	FOOT RAIL	1
4	SIDE CANOPY RAIL	2
5	FOOT & HEADBOARD CANOPY RAIL	2
6	CANOPY	2
7	LEFT FRONT POST	1
8	RIGHT FRONT POST	1
9	LEFT BACK POST	1
10	RIGHT BACK POST	1
11	CENTER RAIL	1
12	CENTER RAIL LEGS	2
13	SLATS	2
14	THREADED STUD	16
15	HEX NUT	16
16	FLAT WASHER	16
17	LOCK WASHER	16
18	HEX BOLT	16
19	1/2" WRENCH	1



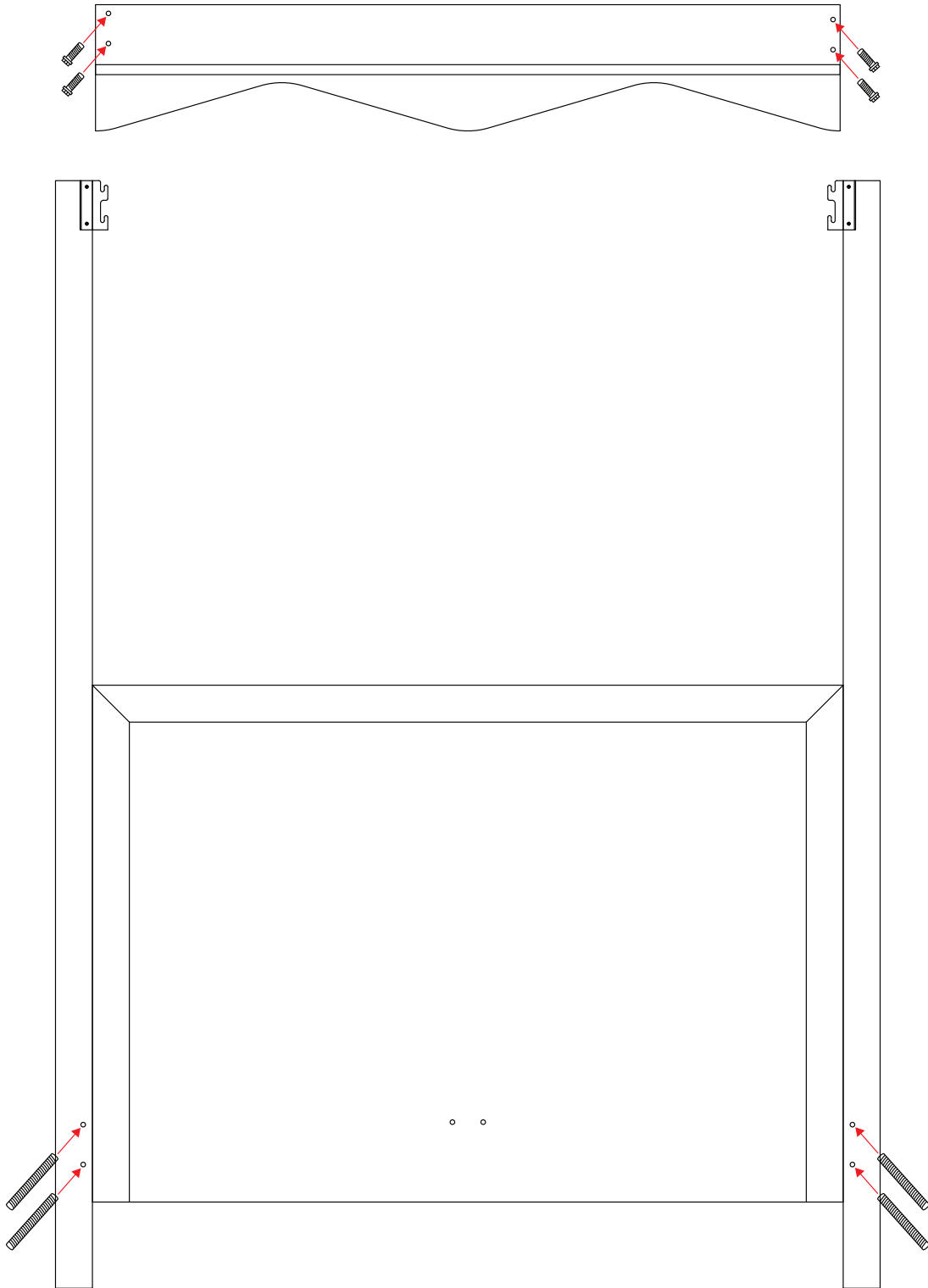
## STEP ONE:

Lay the Headboard face down and raise back cover on side to access for bolting together. Install two threaded studs into the sides of the Back Posts. Attach Posts to Headboard with holes for side rails facing down. Do not tighten nuts all the way until Canopy Rail is installed.



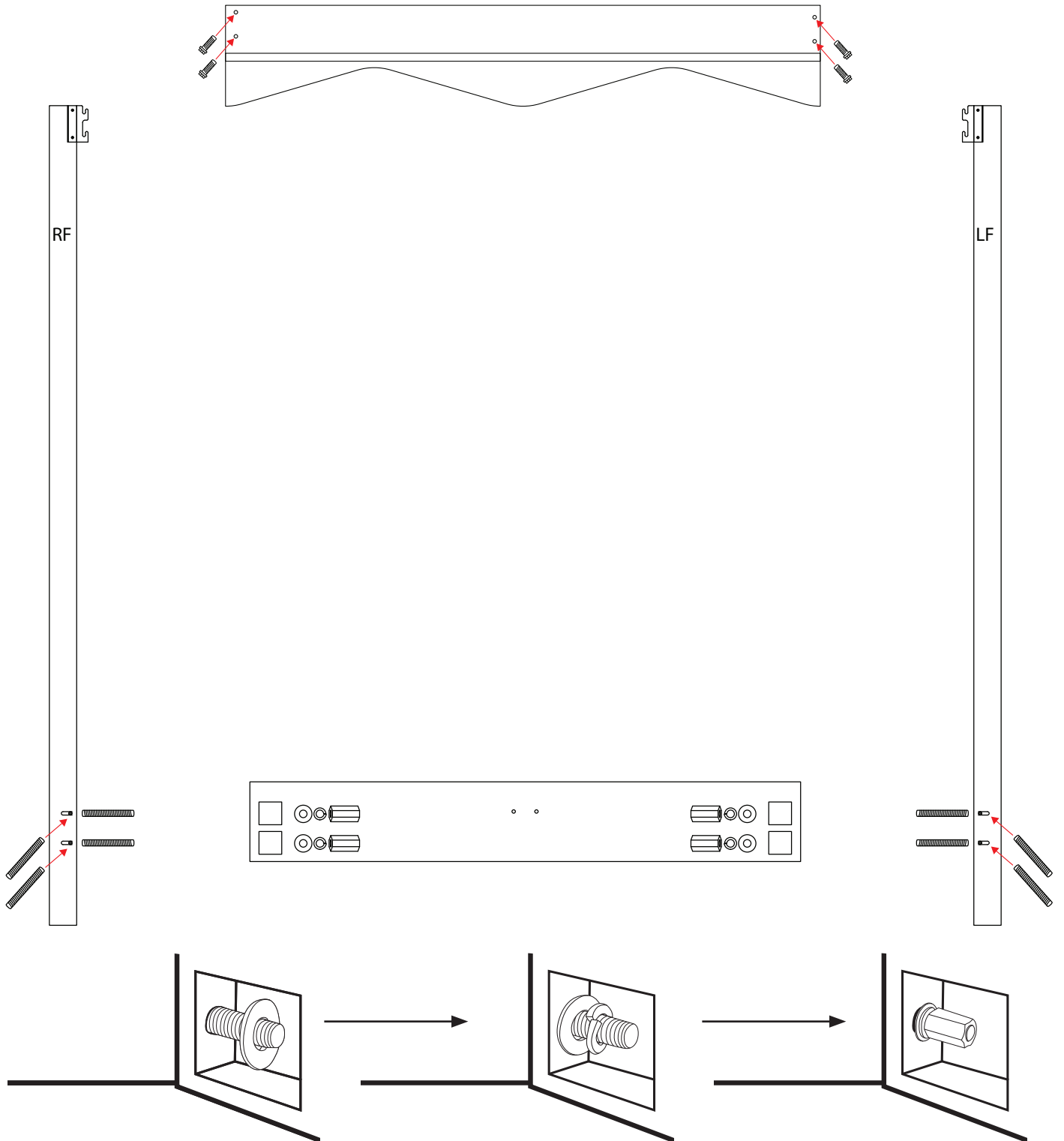
## STEP TWO:

Turn over and lay face up. Install two threaded studs into the Front and Back Posts. Install two hex bolts into each end of the Canopy Rail. Attach the Canopy Rail and tighten all hardware,



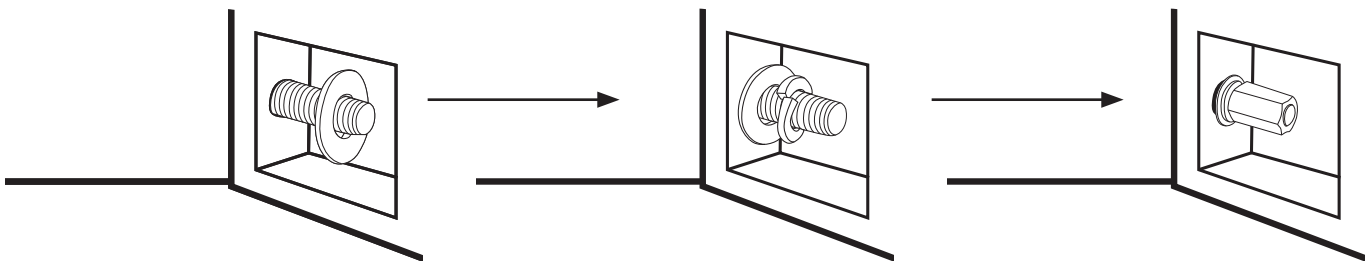
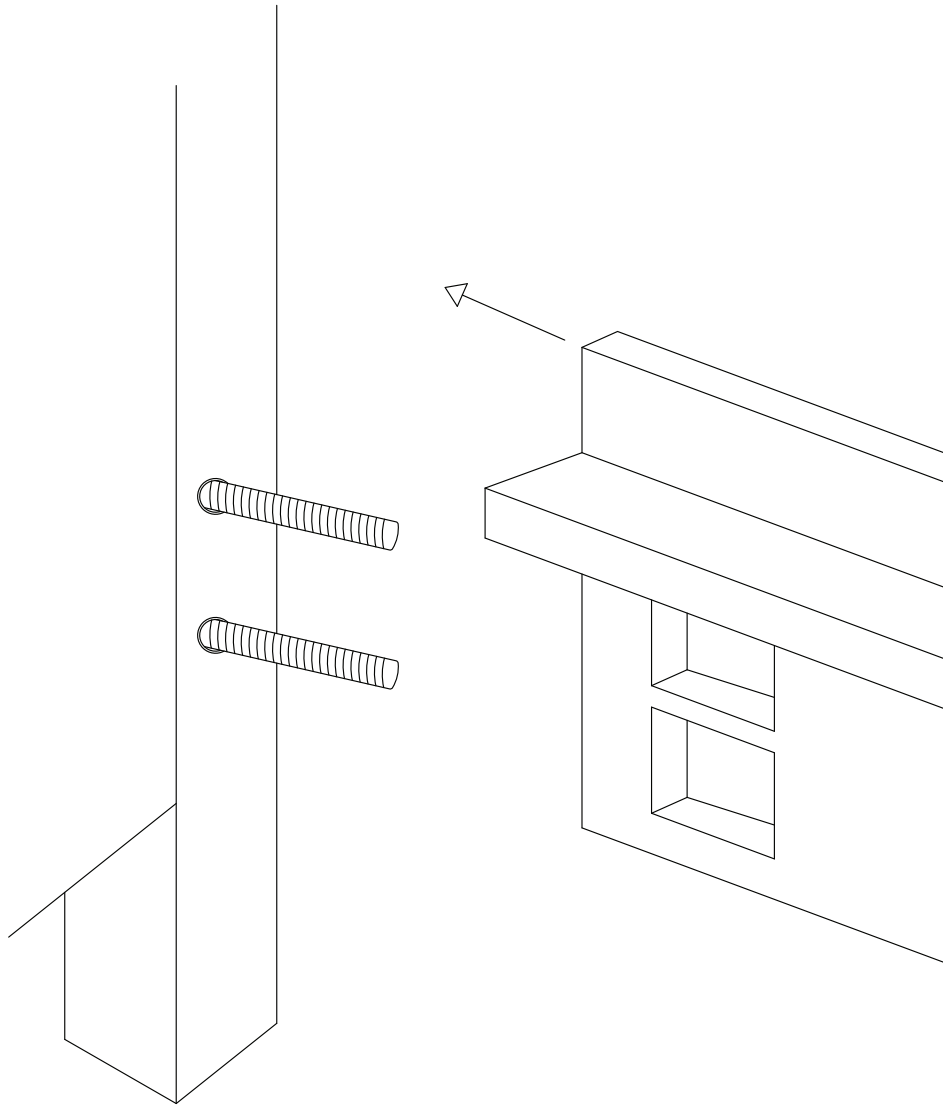
## STEP THREE:

Lay Foot Rail face down. Install four threaded studs into sides of the Back Posts. Attach Post to Foot Rail with studs for Side Rails facing up. Do not tighten nuts all the way until Canopy Rail is installed. Install two hex bolts into each end of the Canopy Rail. Attach Canopy Rail and tighten all hardware.



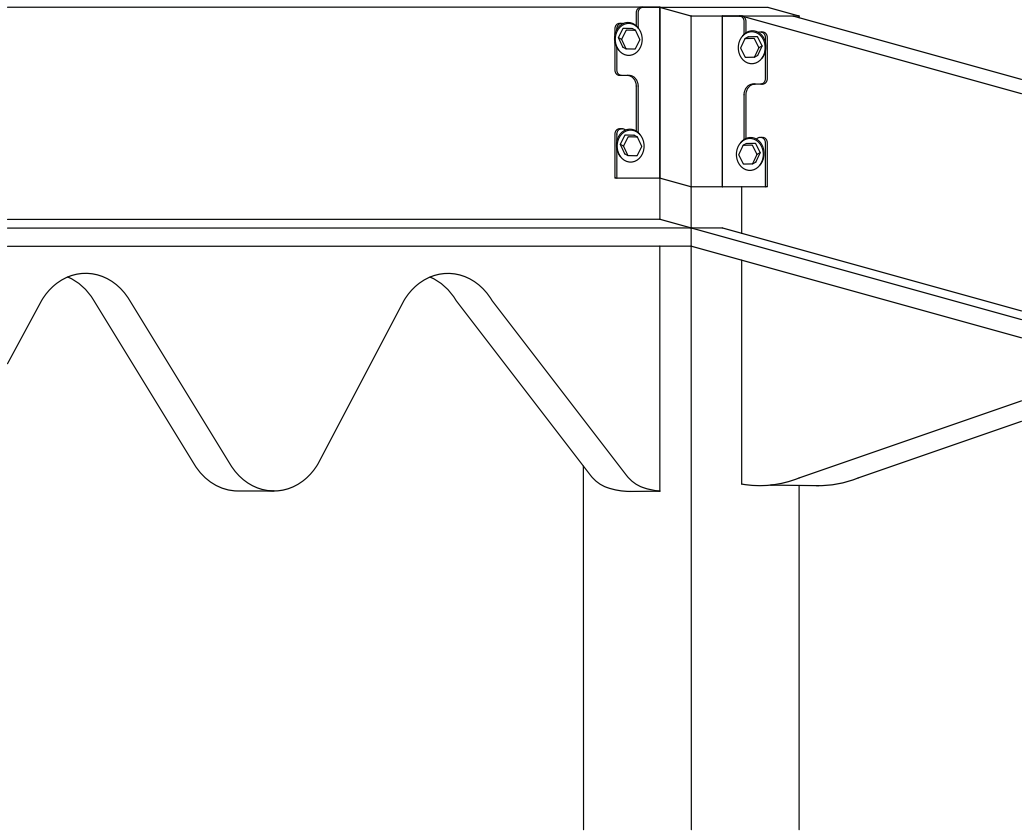
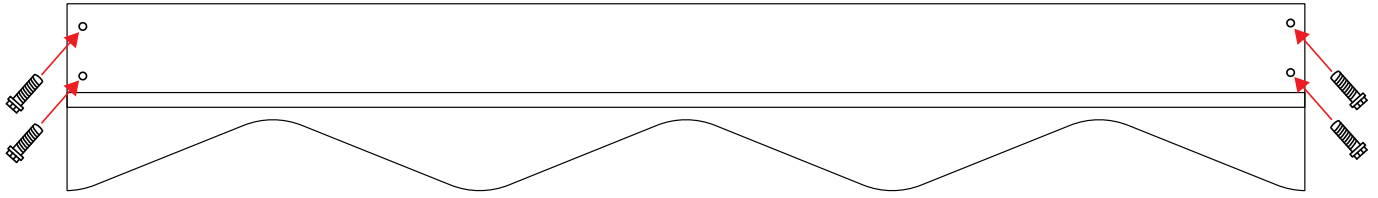
## STEP FOUR:

Connect the Side Rails to the Front and Back Posts by sliding them over the studs. Do not tighten nuts all the way until the Canopy Rail is installed.



## STEP FOUR:

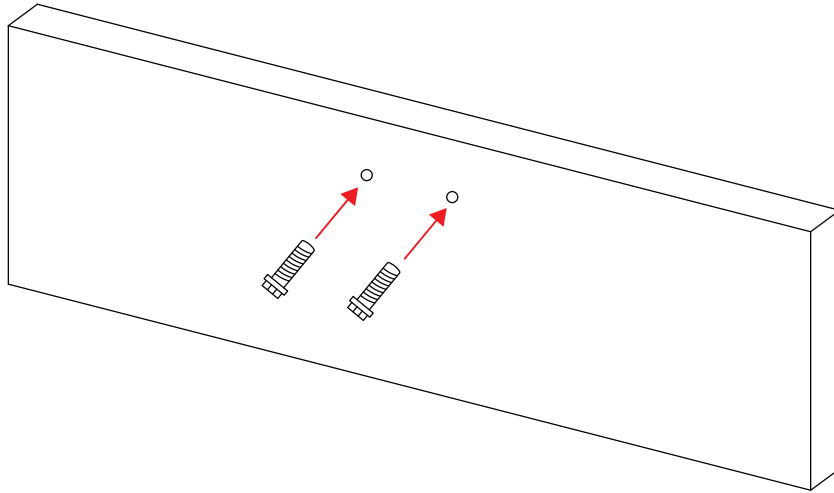
Install two hex bolts into each end of side Canopy Rails. Attach Side Canopy Rails and tighten all hardware on entire bed.





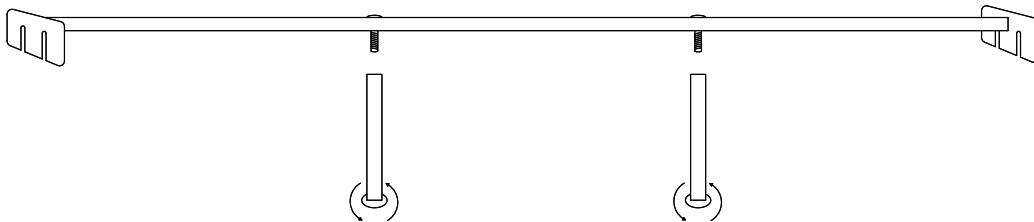
## STEP FIVE:

Install two hex bolts in center of the Headboard and the Footboard.



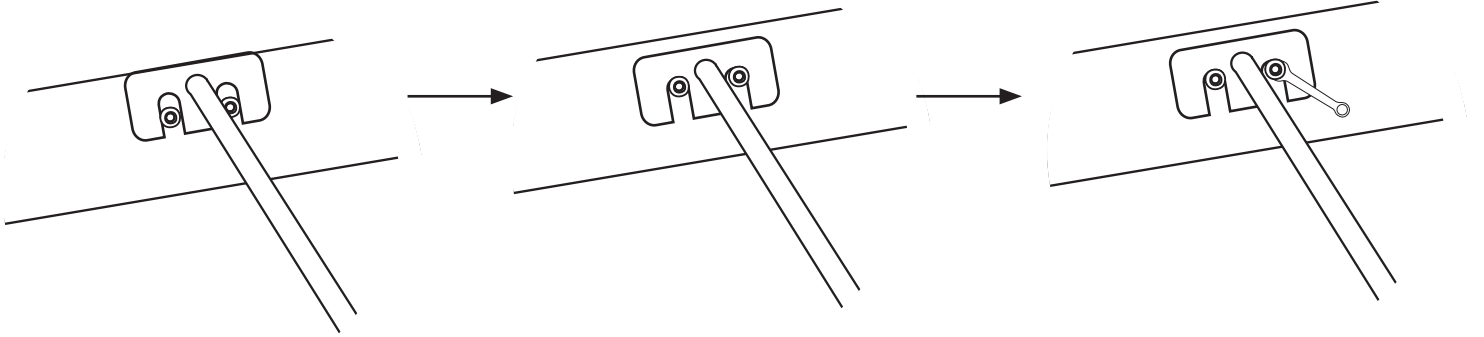
## STEP SIX:

Connect Center Legs to Center Rail and turn clockwise to tighten.



## STEP SEVEN:

Slide Center Rail over hex bolts and tighten.



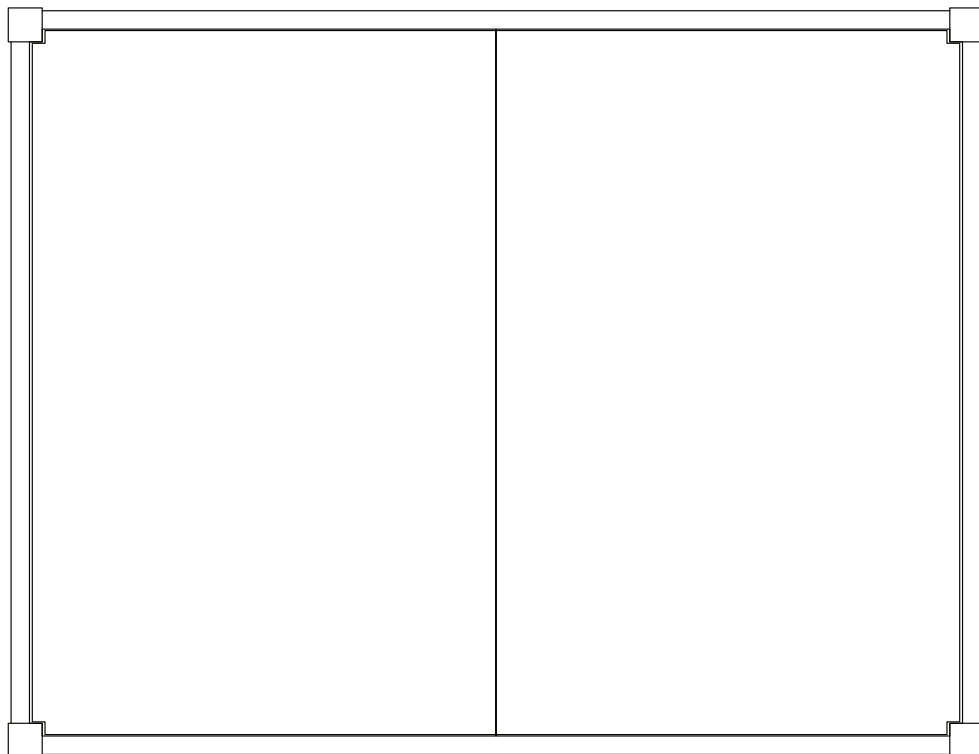
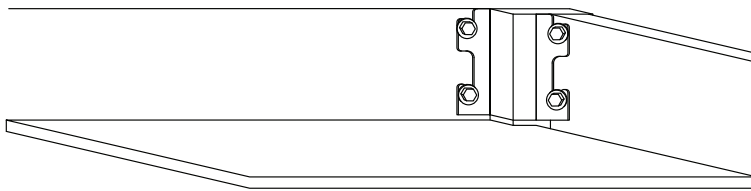
## STEP EIGHT:

Turn Levelers counter clockwise until they touch the floor.



## STEP NINE:

Corners of Canopy Panels are notched to fit around Posts. Lay one Panel in and slide to the Canopy Rail. The Canopy Panel will slide under bracket. Lay second Panel and Slide to Canopy Rail under bracket. Pull Canopy Panels together in center.



## STEP TEN:

Place the two sets of Slats neatly inside the bed frame. Slide directly against Headboard and Foot Rail. Place mattress on top.

