

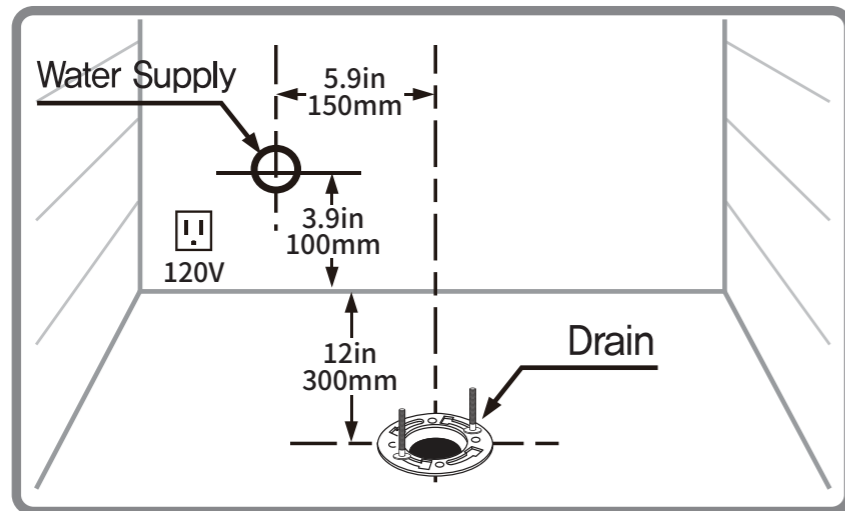
1 Cautions before Installation (This may differ from the product specification.)

① Installation • Secure enough installation space in the bathroom and check whether it disturbs the bathroom door.

Space

- Secure water outlet at least 100mm away from the floor.
 - It can cause the discoloration of wall.
- * If you have shorter rough in than 11", you can use an offset flange for installation.

Floor
Drain
installation
space

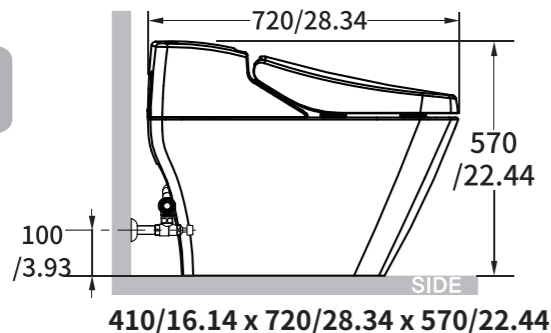


- Water Pressure
 1. Minimum 1.5 kgf/cm² (0.15 MPa) water pressure is required. If the pressure is not secured, please be aware that the flushing may not work properly to discharge the dirt.
 2. Even if other modifiers are used at the same time, it still requires more than the minimum required water pressure. The maximum water pressure is 7.5 kgf/cm² (0.75 MPa).

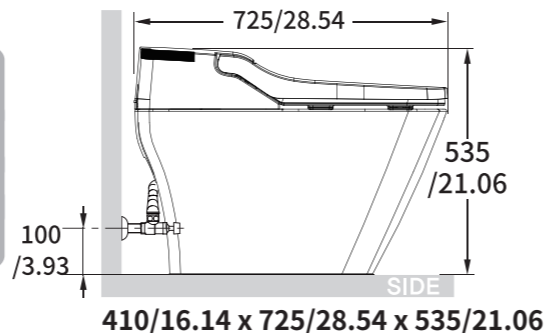
2 Drawing for Installation (unit : mm / in)

Remote control Type

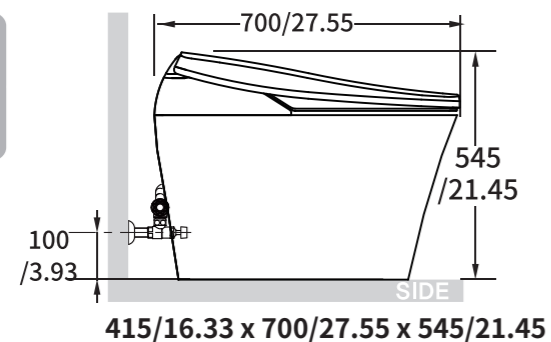
PB-707S
PB-101S



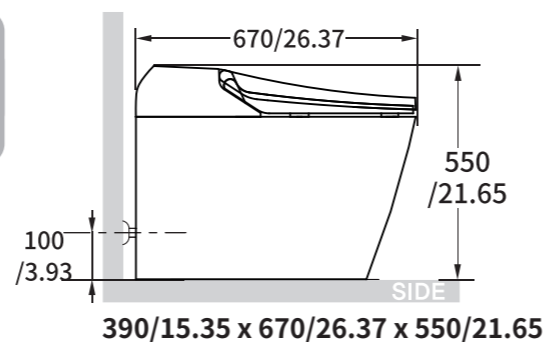
TCB 090SA
TCB 090S
RTB 090WA
RTB 090W
TC-090
TC-090W



TCB 9100WA
TCB 9100GA
TCB 9100W
TCB 9100G



TCB 8100B
TCB 8100W
TCB 8200SA
TCB 8200S



3 FAQ

Q: What is electrical requirements? Is it energy efficient?

A: 6 Amps at 120V, 60 Hz is necessary for this item.

A separate circuit breaker is recommended.

It has a power save mode which uses least amount of energy.

Q: Power save LED light is keep flashing. (Turned off and on)

A: Please open the valve, please check the water has entered to the bidet.

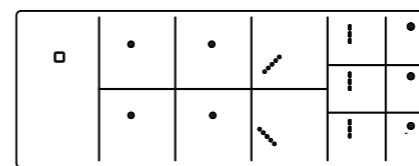
If it still flashes, please try reset.

(Unplug the cord and plug it back after 30 seconds)

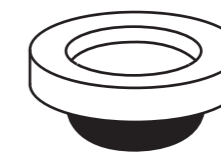
Q: How long is the cord?

A: 4ft (1.2m).

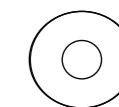
4 Installation Accessories



Remote control
Each product may use a different remote controller.



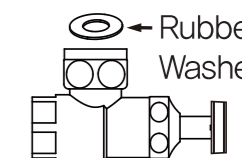
Wax Ring



Ring Plate



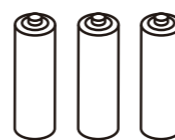
Water Pipe



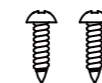
Rubber Washer
Water Shutoff Valve (1/2" x 5/8")



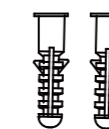
Wall Mount



AA Batteries (x3)



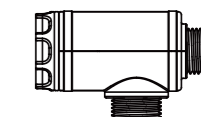
Screws (x2)



Anchors (x2)



Water Hose (Thick)
(1" x 5/8")

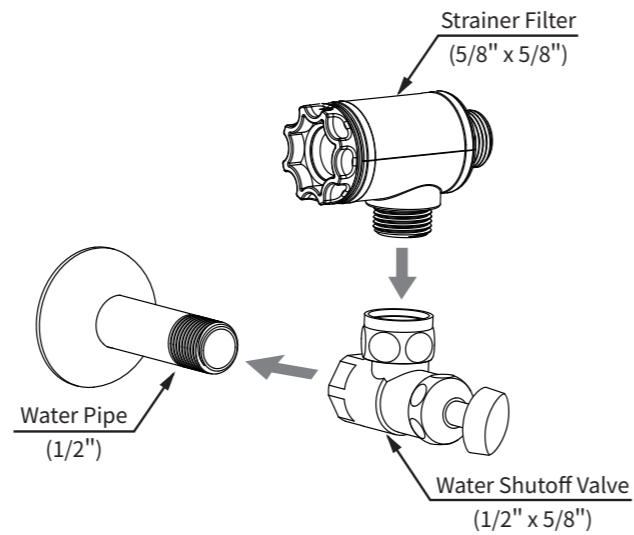


Strainer Filter
(5/8" x 5/8")

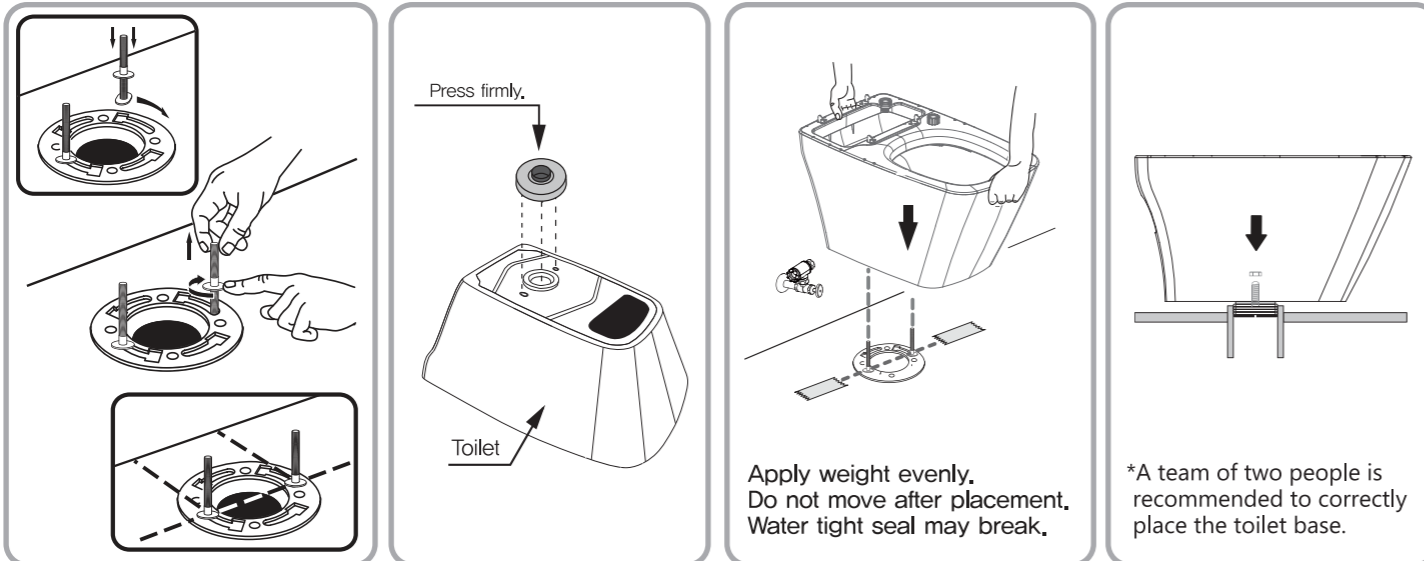
5 Installation (This may differ from the product specification.)

1 Installation Accessories

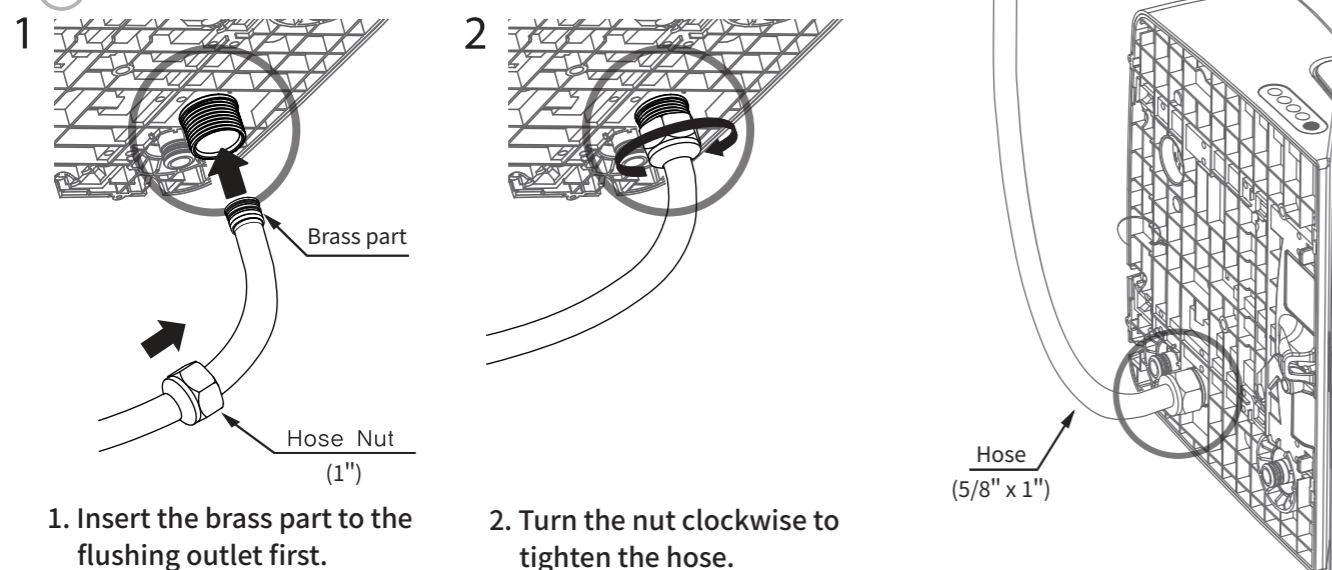
1. Close the water gauge.
2. Remove dust and sand in the water inlet when installing the shutoff valve.
3. Connect the pipe with the shutoff valve.
4. Connect the Strainer Filter.



2 How to install the Ceramic

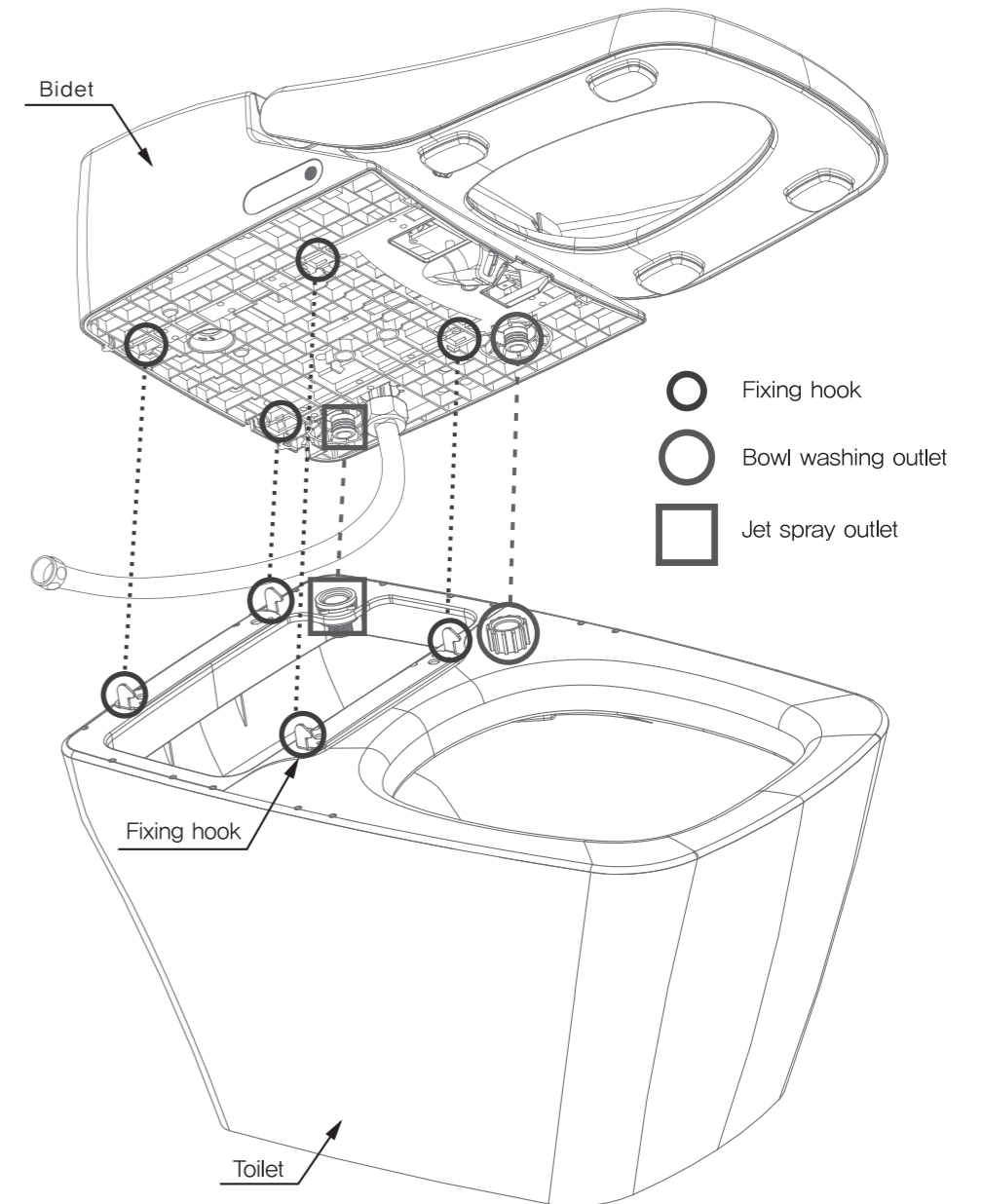


3 Connect Hose



4 Connect Bidet to Toilet

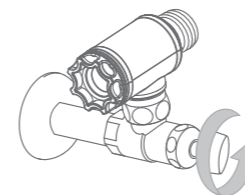
1. Assemble the toilet with bidet, jet spray outlet and bowl washing outlet.
2. Insert the hose into the filter.
3. Insert bidet's fixing hook onto the toilet's fixing hook until it "clicks".



Strainer Filter

- Open the water shutoff valve.

5 Open the water valve



※ The water may overflow out of the rim when cleaning the bowl in the region with high water pressure.

Using a screwdriver, turn the shutoff valve clockwise to reduce the water pressure.

6 Connect Power

1. Insert the power plug into the outlet
2. Press the flush button
- Water will fill the ceramic bowl.

