

SUMMERSET'S LIFETIME WARRANTY

Summerset Professional Grills is backed by the strongest warranty in the industry! In addition to precision engineering and outstanding performance, Summerset grill series include a LIFETIME WARRANTY. Now you can use a grill with the peace of mind that you have an industry leading warranty.

SUMMERSET GRILL SERIES

- Lifetime Warranty on construction and manufacturer defects
- Lifetime Warranty on frame and housing
- Lifetime Warranty on cooking grates, burners, valves, flame tamers, and heat-zone separators
- Five Year Warranty on briquettes
- Three Year Warranty on all other parts, components, and electrical

COMPONENTS

- Lifetime Warranty on construction, workmanship and materials for all stainless steel components, including doors, drawers, ice chests, beverage centers, sinks and grill liners
- 1 year on all other parts and electrical
- Limited (5 year) Warranty on carts
- Limited (1 year) Warranty on grill covers

REFRIGERATION

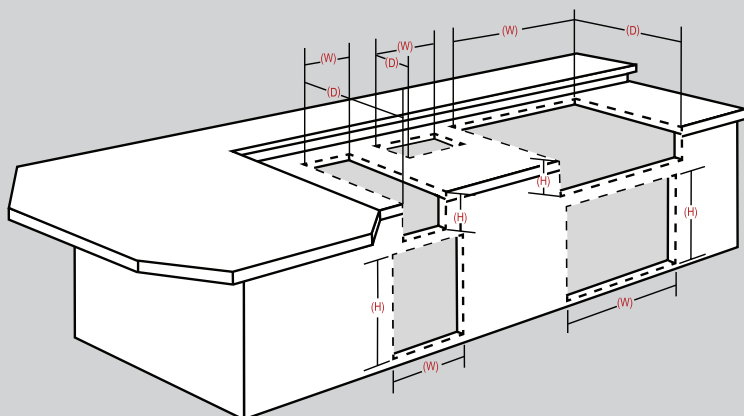
- 2 year warranty on all construction and compressor (SSRFR-21S, SSRFR-21D, SSRFR-21DR, SSRFR-24S, SSRFR-24SR, SSRFR-24W, SSRFR-24WD, SSRFR-15G, SSRFR-15S, SSRFR-15WD, SSRFR-15W)
- 3 year warranty on all construction and compressor (SSRFR-24D, SSRFR-24DR, SSRFR-24DK1, SSRFR-24DK2, SSRFR-24DR2)
- 1 year warranty on all electrical components

MADERA PRODUCTS

- Lifetime warranty on construction, workmanship and materials for all stainless steel components

CUTOUTS

For cutouts, dimensions or more information on your Summerset product, visit Summersetgrills.com/cutouts or scan this QR Code with your smartphone's camera app.



Summerset's Lifetime Warranty is valid for original purchaser at original site of delivery with proof of purchase and photo documentation only. Registration form must be submitted within 30 days of the purchase date to validate the warranty. Warranty is void upon transfer of ownership. Warranty does not apply to products installed in any commercial, rental, or non-residential application. Warranty covers replacement parts only. Manufacturer is not responsible for labor or labor-related costs. Warranty does not cover discoloration, surface rust, corrosion, or oxidation, which may occur due to harsh environments, chemicals, or overheating. Warranty will not apply for damage resulting from improper installations, abuse, extreme environments, grease fires, or misuse. Regular and proper maintenance is required. Coastal, humid, and/or salt environments are subject to manufacturer review. All out-of-box claims must be made within 30 days of purchase and must be made prior to installation. Any product installed damaged will be considered damaged during installation and not covered under warranty. Warranty and registration forms are available at www.SummersetGrills.com. Please be advised - all display models are sold "as is" and the warranty covers the following items only: main burners (Lifetime), grates (Lifetime), burner covers (3 year). All warranties are subject to the review and approval of the manufacturer. This is a 100% non-prorated warranty.