



WESTLAKE

Project: \_\_\_\_\_

Model: \_\_\_\_\_ Series #: \_\_\_\_\_

Dealer: \_\_\_\_\_ Quantity#: \_\_\_\_\_

Delivery address: \_\_\_\_\_ Date: \_\_\_\_\_

## Sandwich and Salad Counter Food Prep Table Series

**Model#WКСR-60B**



### Features

- Precision ventilated refrigeration system keeps food at safe temperature
- Global famous electronic control system makes it easy to adjust temperature set point and defrost frequency
- Self-closing doors with 90 degree stay-open feature. Locks and keys included
- Stainless steel exterior and interior, ensure longer life
- Removeable installation board makes it easy to access condenser coil for cleaning and service.
- Anti-corrosive coated copper tube evaporator ensure no failure use
- Automatic defrost system and evaporate the defrosting water itself, no need extra discharging water pipe
- Four Swival preinstalled wheels, 2 of them with brakes

### WARRANTY:

- 2 Years Parts and Labor
- 6 Years compressor (Additional 4 years parts only)
- westlake is responsible for components failure. but is not responsible for improper operation failure and artificial damage.



Parts & Labor



Compressor



Intertek



Intertek

Conforms to UL&NSF-7 Standards





# Sandwich and Salad Counter

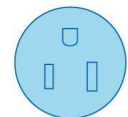
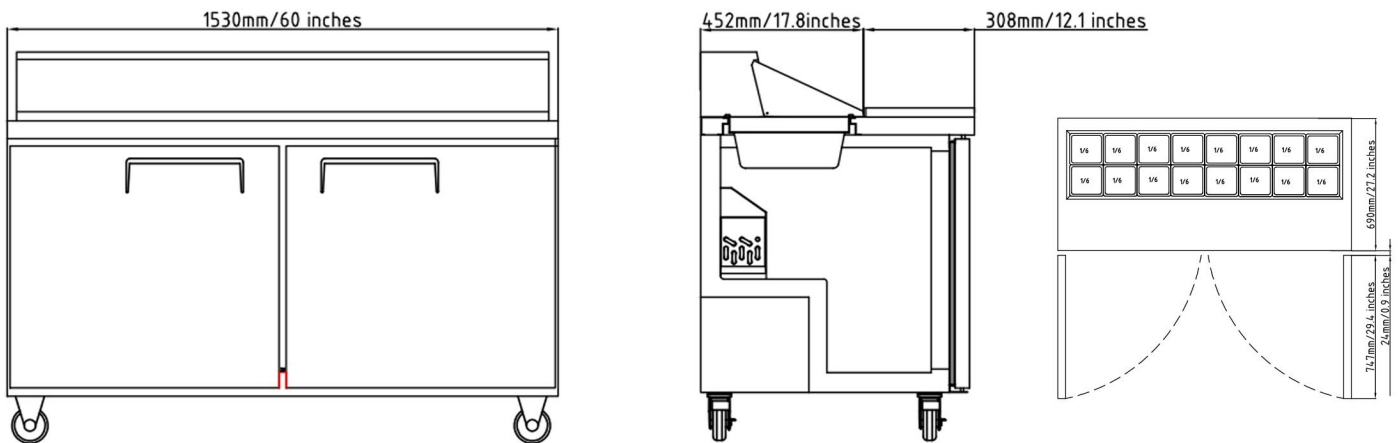
## Food Prep Table Series

Model#WKSr-60B

### TECHNICAL DATA

Model #	WKSr-60B
Refrigerant	R290
Max Ambient Temperature	100°F
Defrosting	Automatic every 4 hours
Horse power	1/3
Exterior Dimension	60"Wx29 9/10"Dx42 2/5"H
Interior Dimension	56"Wx25 1/5"Dx26 2/5"H
Gross Weight	377lbs
Net Weight	333lbs
Packing Dimension	62 1/5"Wx32 3/10"Dx45 7/10"H
Voltage/Phase/Hz	115V/1/60Hz
Amps	3.2
Plug Type	NEMA 5-15P
Electrial Cord Length	80"
Food Pans Included	1/6*16

### PLAN VIEW



NEMA 5-15P