

Zaor[®]

BUDGET CUSTOM DESIGN

YESK



Materials used:

Solid wood (Linden) brushed and melaminated chip board

Packing list

- 10 wooden parts
- 10 M 6x50 screws
- 18 assembly kits
- 32 rack screws

Instructions for use and cleaning

- clean with a soft cloth, slightly humid or specific products for wood or lacquer
- avoid the use of abrasive cleaners!

Assembly Manual

We recommend being two people when assembling.

Technical Plan

Thank you for choosing a piece of Zaor studio furniture,
which will hopefully make your life easier, more ergonomic and improve the looks of your workspace.

Before you can enjoy the comfort of your new acquisition you need to assemble it.

We have tried to give you as much detail as needed and as little as possible.

Should you run into any difficulty with this assembly you can get in touch with us via
sales@zaorstudiofurniture.com to set up a Skype session or phone call.

Here is a general instruction on how to use the furniture assembly kits:

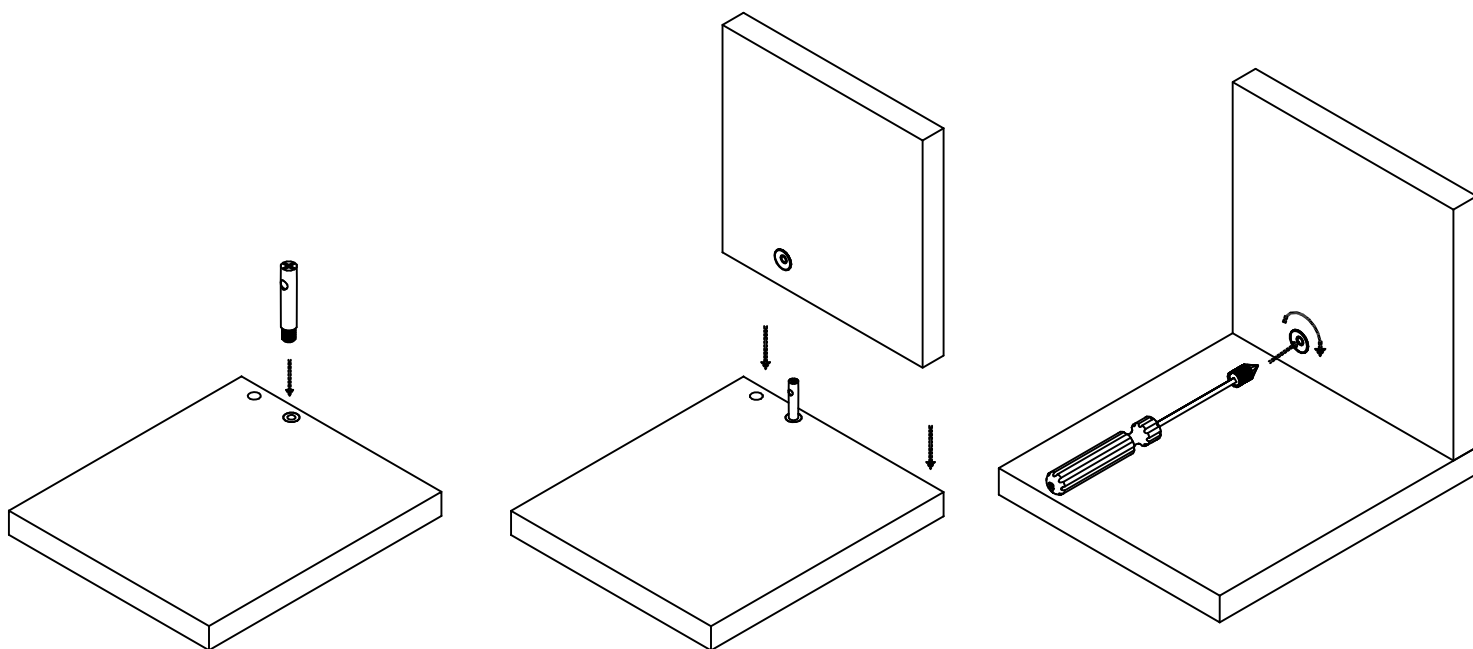
- 1) Insert and screw in the system bolt(s) into the socket(s) already present on the part(s) making sure the hole is at 90° from the edge
- 2) Assemble the connecting parts, inserting the bolts into the smaller holes in the connecting part, the bolt tip fitting into the side hole of the excenter until the hole in the bolt and the center hole of the excenter align
- 3) insert the locking screw into the excenter, and tighten with a cross screw driver all the way without using force!



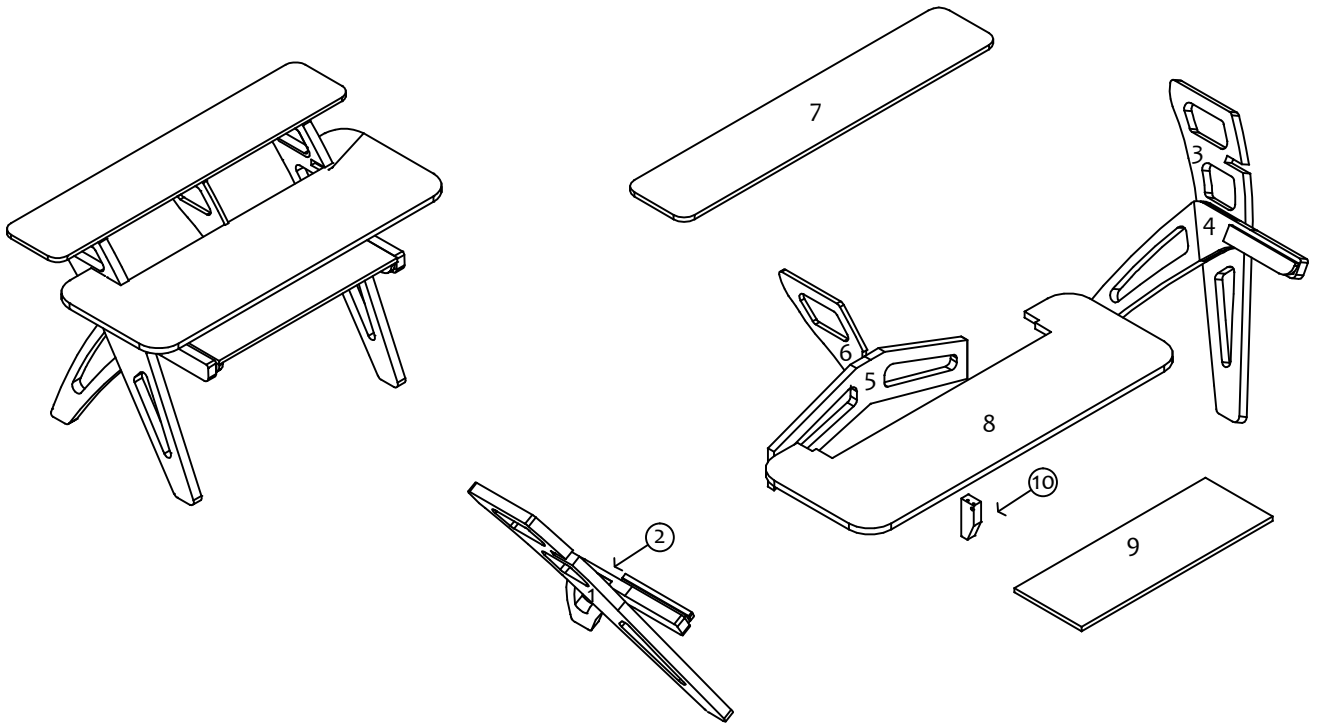
System bolt with hole



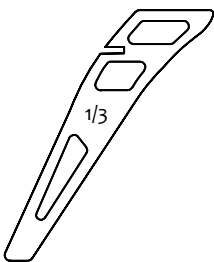
Locking screws



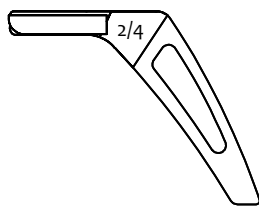
Assembly Manual



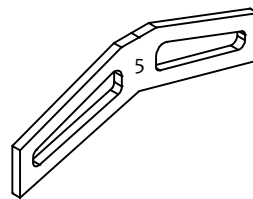
Part n° 1 - Left foot
Part n° 3 - Right foot



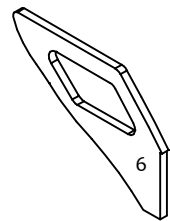
Part n° 2 - Left foot back part
Part n° 4 - Right foot back part



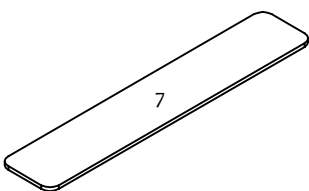
Part n° 5 - Crossbar/stabiliser



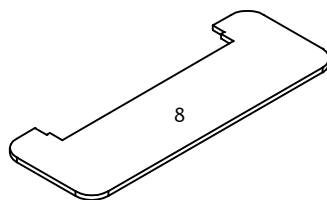
Part n° 6 - rack divider



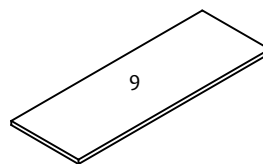
Part n° 7 - Top



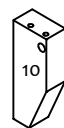
Part n° 8 - Table top



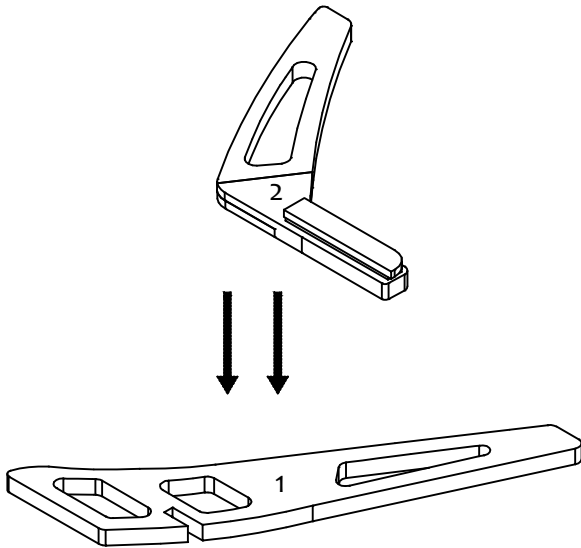
Part n° 9 - Keyboard drawer



Part n° 10 - support for table top

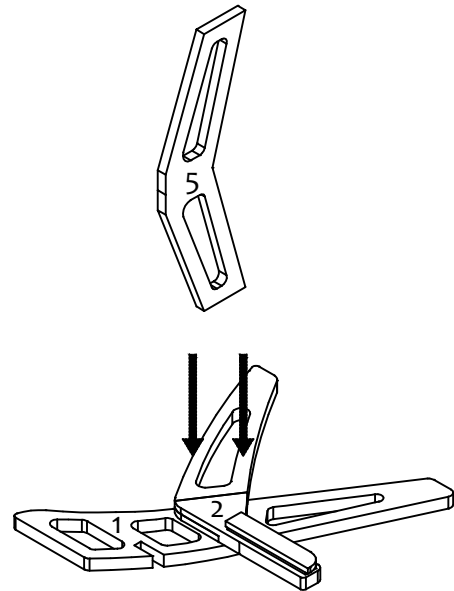


Assembly Manual

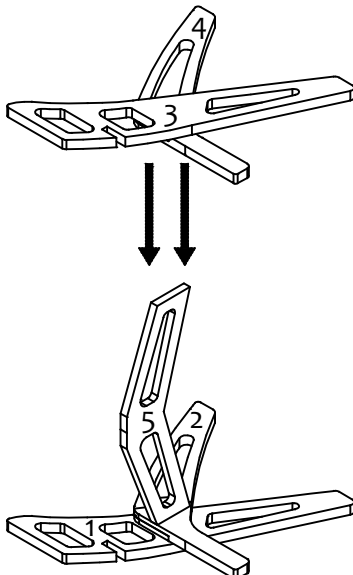


FASE 1

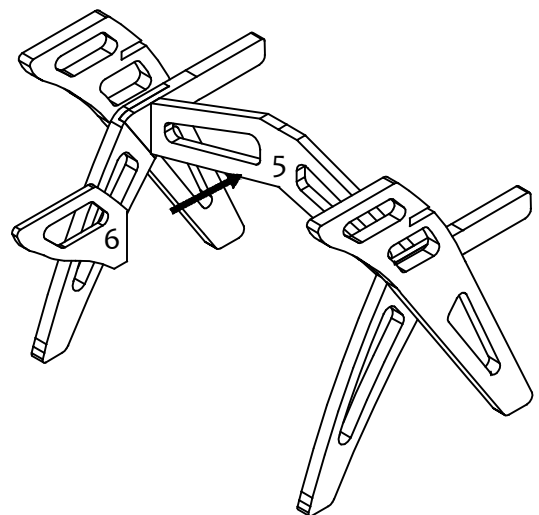
Lay part n° 1 flat on the ground, lower down and join part n° 2. Using pre-drilled holes attach the parts using the M6x50 screws supplied. (Repeat same procedure for parts n° 3+4.)



Step 2 After adding system bolts, lower down part n° 5 onto part n° 2. Attach using the excenters as shown on page 2.

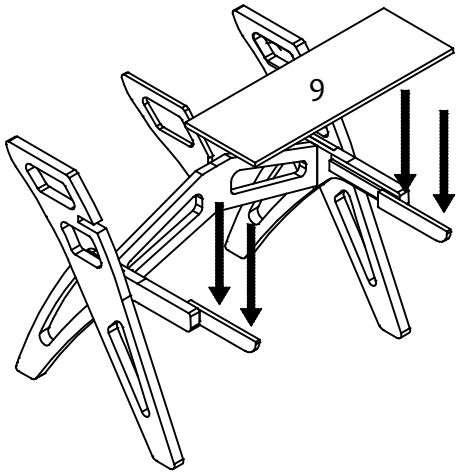


Step 3 Lower down the assembled parts n° 3+4 onto part n° 5 and attach using the assembly kits in a similar manner as shown in page 2.

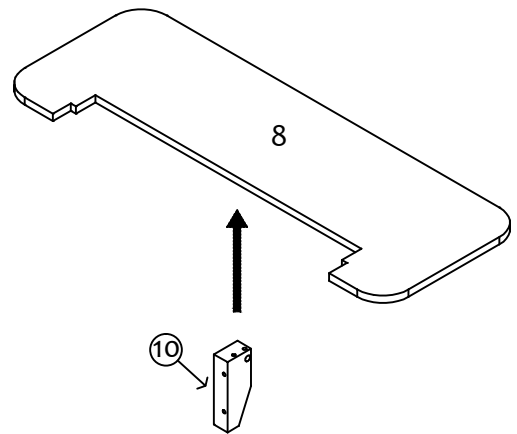


Step 4 Complete the structure of your Yesk fixing part n° 6 (rack divider) to crossbar n° 5 using assembly kits.

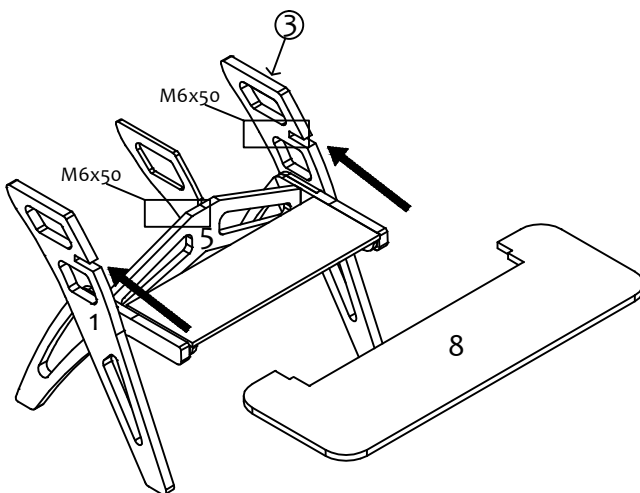
Assembly Manual



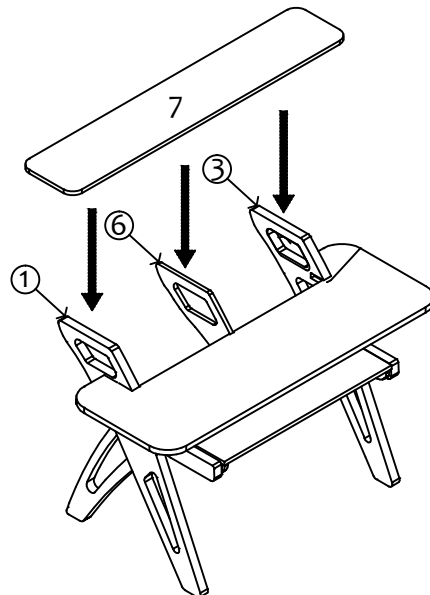
Step 5
Pull out the drawer sideparts premounted on the rails (see drawing). After adding systembolts lower part n°9 onto the side parts and attach with excenters and lock screws as shown page 2 .



Step 6
Attach part n° 10 underneath part n° 8 using assembly kits.



Step 7 Slide the table top n°8 into the cut outs provided for that purpose on parts n° 1 and 3 (see image).
Using pre-drilled holes in part 1,3 and 5 (see image) fixate the table top using the M6x50 screws provided.



Step 8
Complete the assembly of your Yesk by adding the top panel n°7 using assembly kits to parts n° 1,3 and 6.