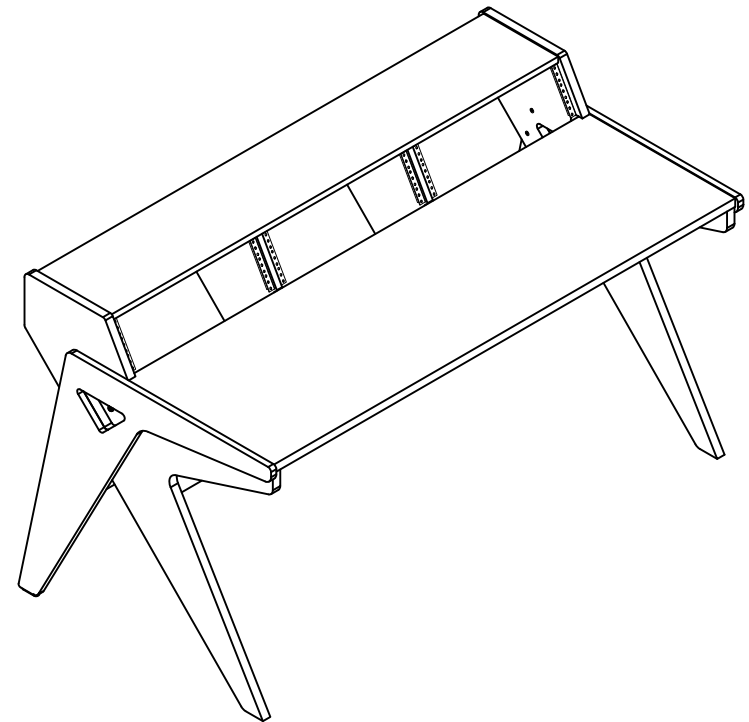


Zaor[®]

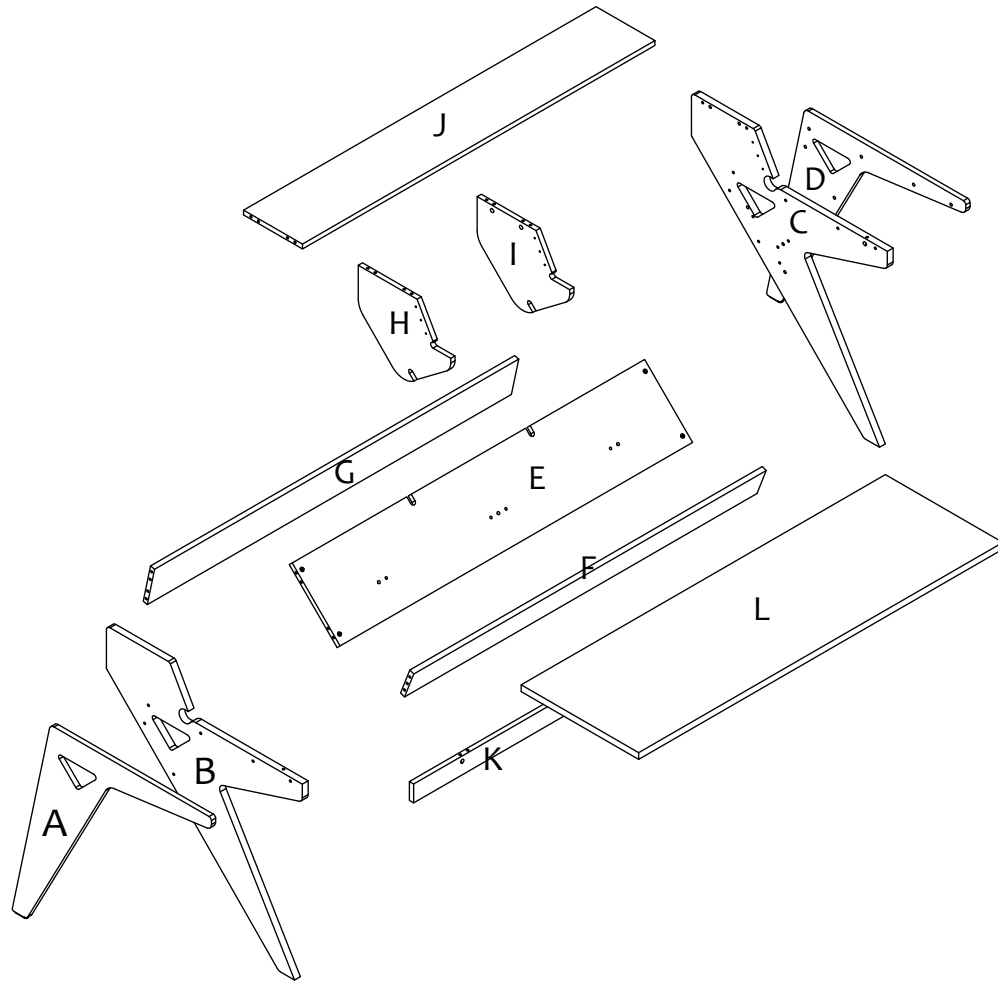
UPGRADE YOUR SPACE



Vision W
Assembly Manual

Assembly Manual

Unpack the parts carefully (do not use a cutter on the foam wrapping, as you might damage the surface) and set up so that you can see the part numbers clearly. In the big box you should find a small cardboard box with all the screws and bolts for assembly.



Here you have an exploded view of the whole desk and how it is supposed to come together. We use high quality furniture assembly components from renowned EU manufacturers. Please, never use force. These parts should come together easily, in case of doubt check the manual again or contact support.

Assembly Manual

Thanks for choosing a piece of furniture from Zaor. Before you can enjoy the use of it you need to build it. We tried to put all the explanations necessary for a safe build, when in doubt please get in touch or check out our Youtube channel where we are putting more and more assembly videos to help you with this important task. Enjoy!

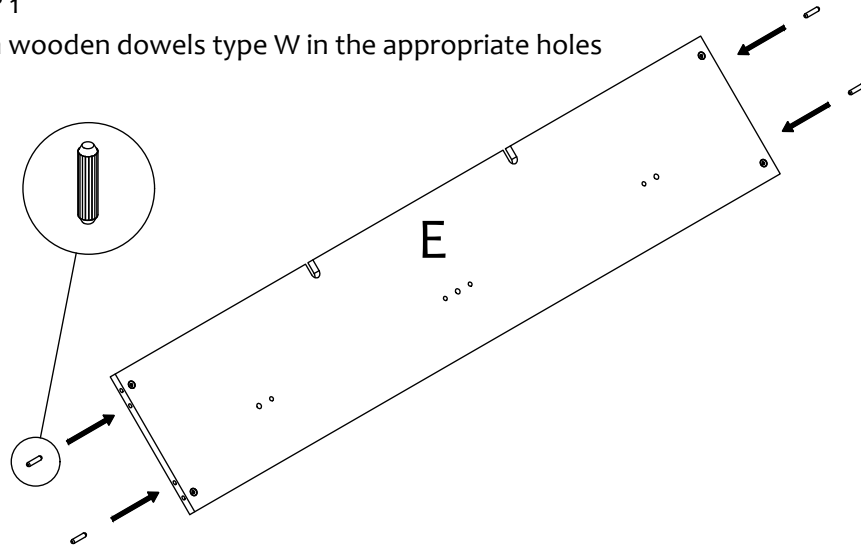
General technique for putting together Zaor desks

<p>The assembly of your desk uses special kits. Here's how to use them</p> <ol style="list-style-type: none"> 1) On the piece with the threaded insert(s), put in the system bolt(s) and tighten making sure to align the hole in the system bolt at a 90° angle. 	<p>Please note that the system bolt may have a little slack in this position, which is fine!</p> <ol style="list-style-type: none"> 2) Ensure that the hole in the bolt aligns with the opening in the other piece to be able to put in the safety screw. 	<ol style="list-style-type: none"> 3) In each hole in the second piece, put in a cone shaped safety screw and tighten with a cross (philipps) screw driver - without forcing. The 2 parts will now be safely attached.

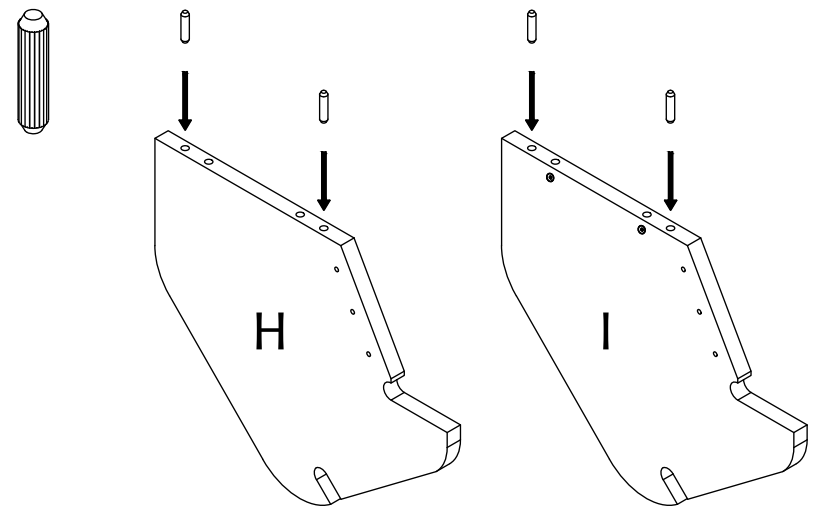
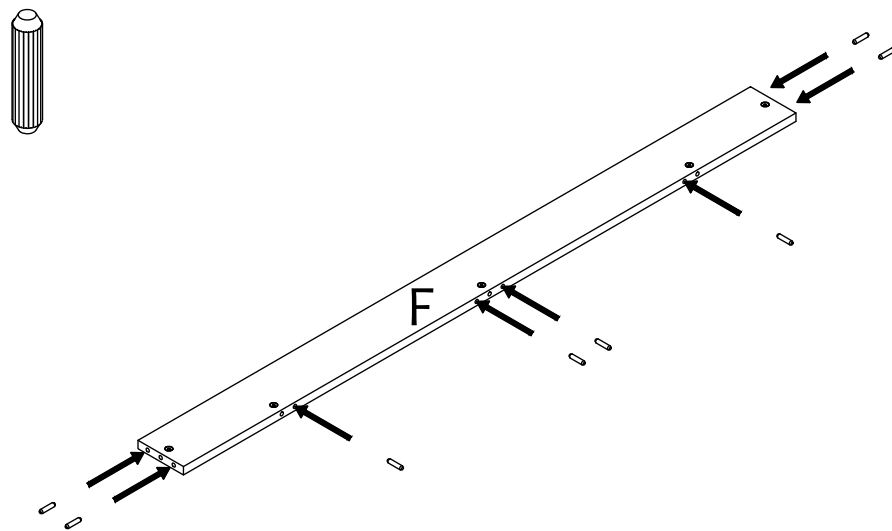
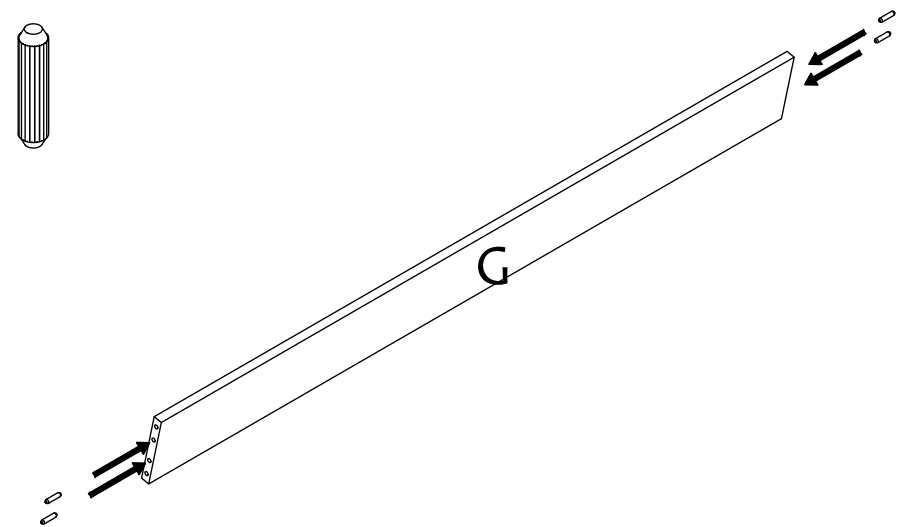
Assembly Manual

STEP 1

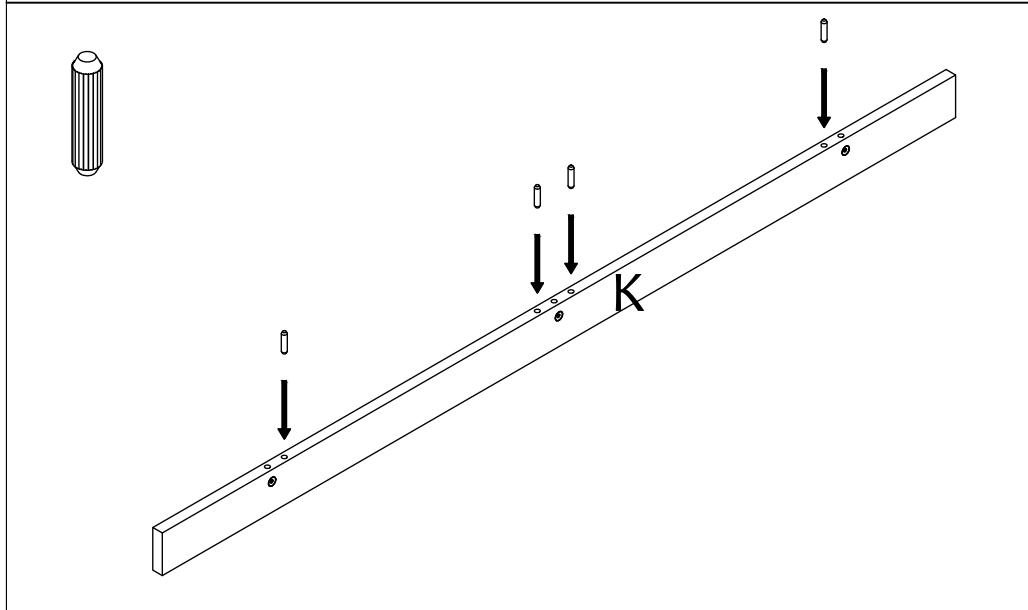
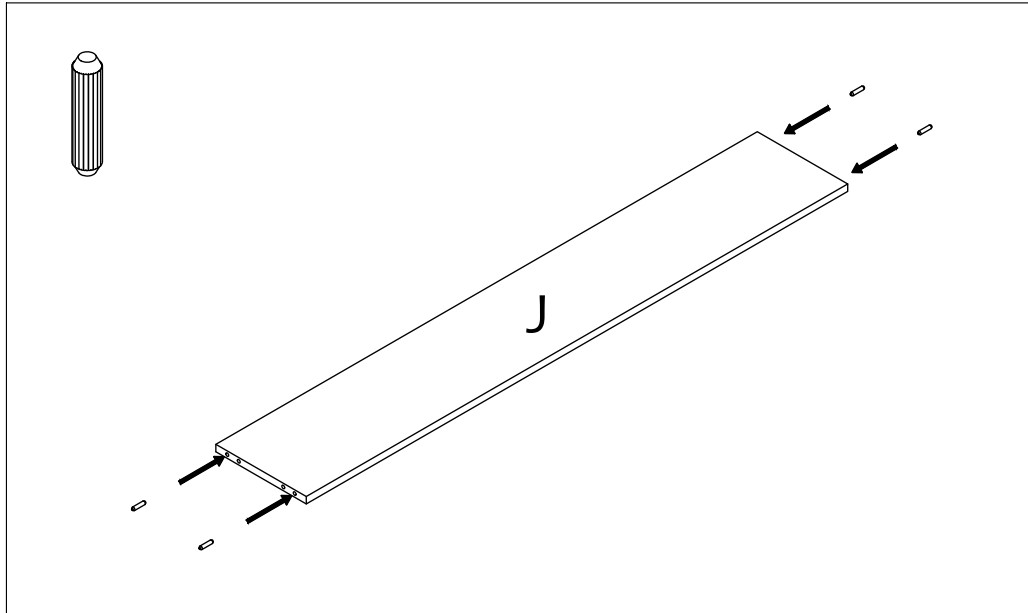
Push wooden dowels type W in the appropriate holes



Assembly Manual



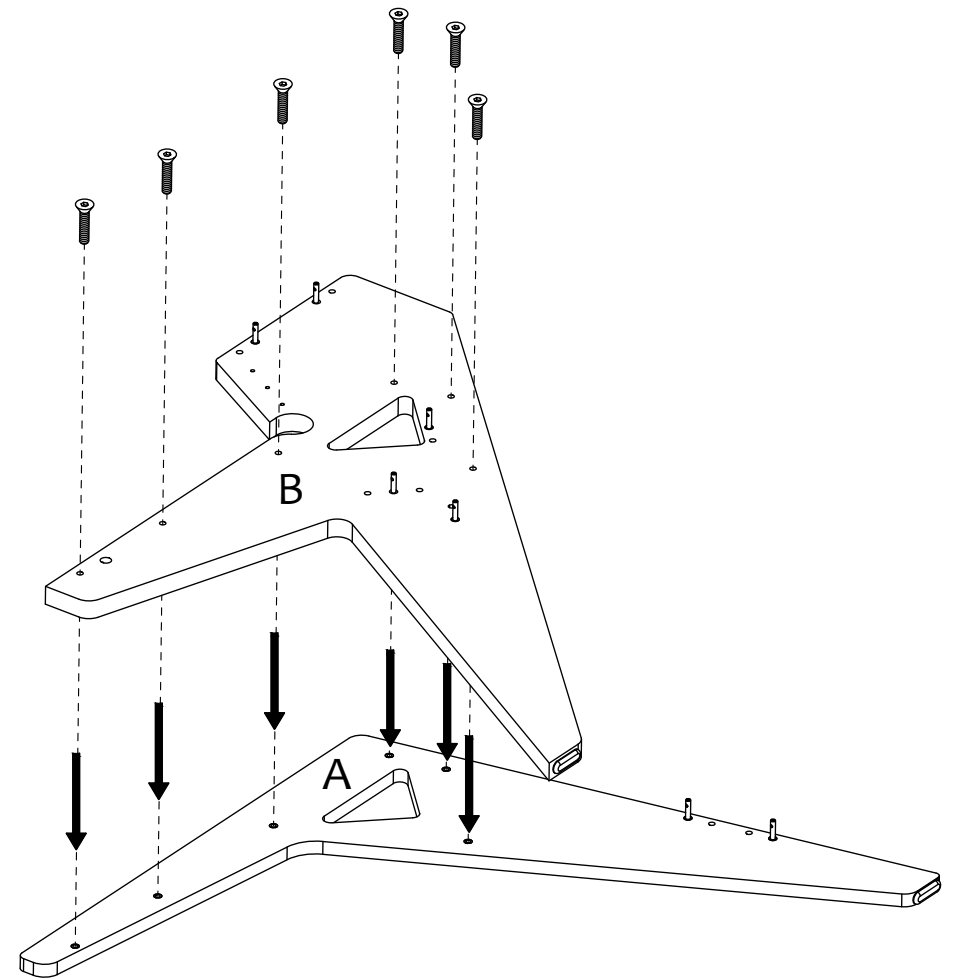
Assembly Manual



Assembly Manual

STEP 2

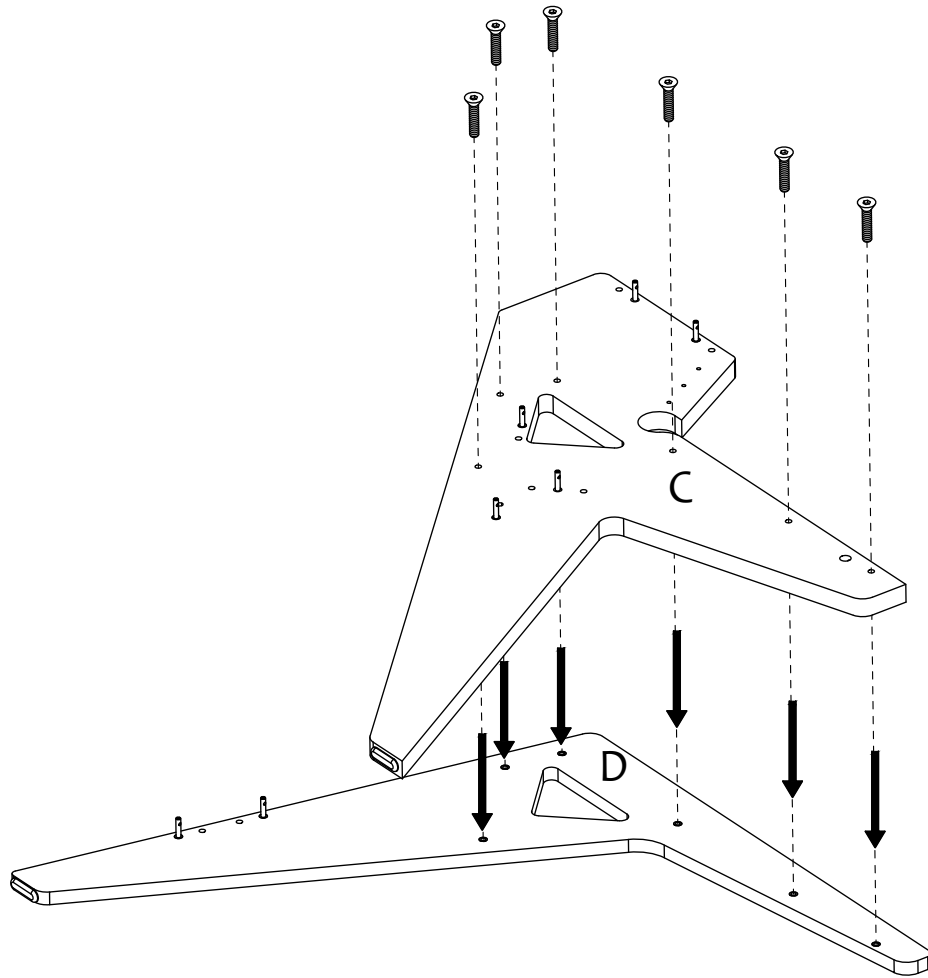
Use screws Type B 



Assembly Manual

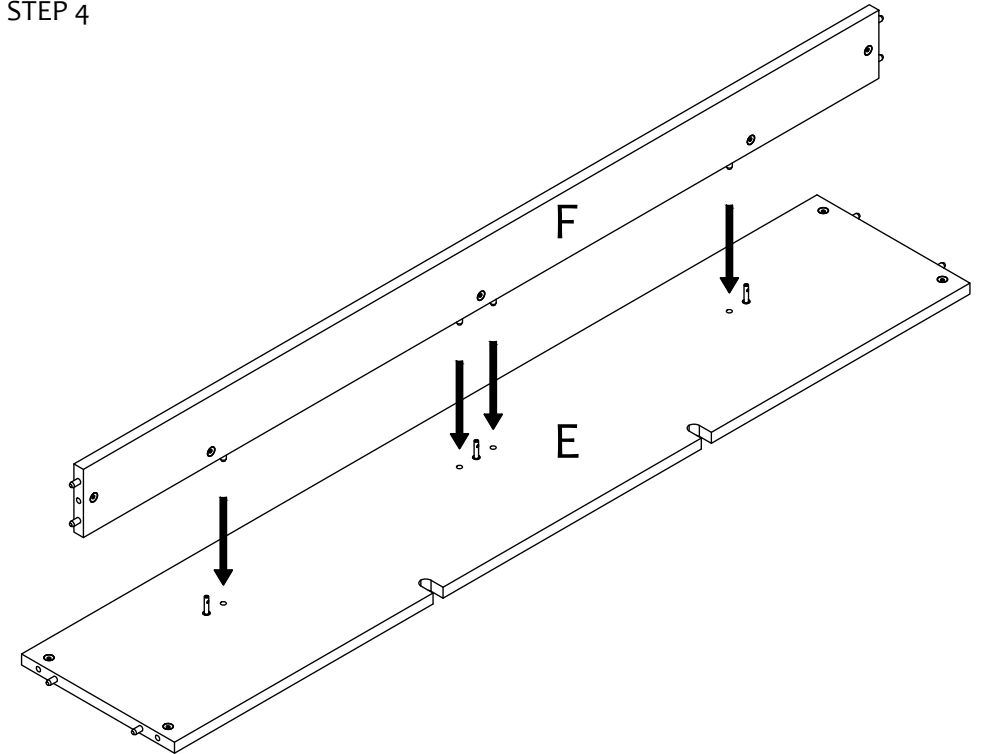
STEP 3

Use screws Type B 

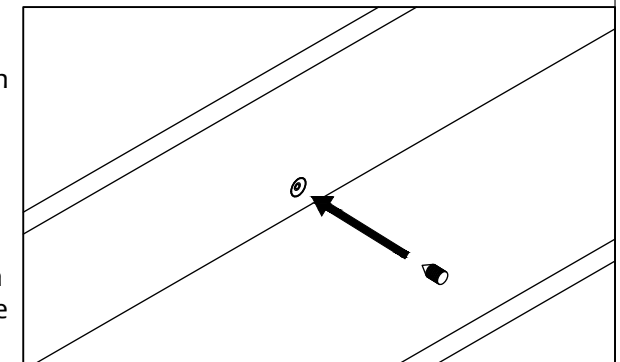


Assembly Manual

STEP 4

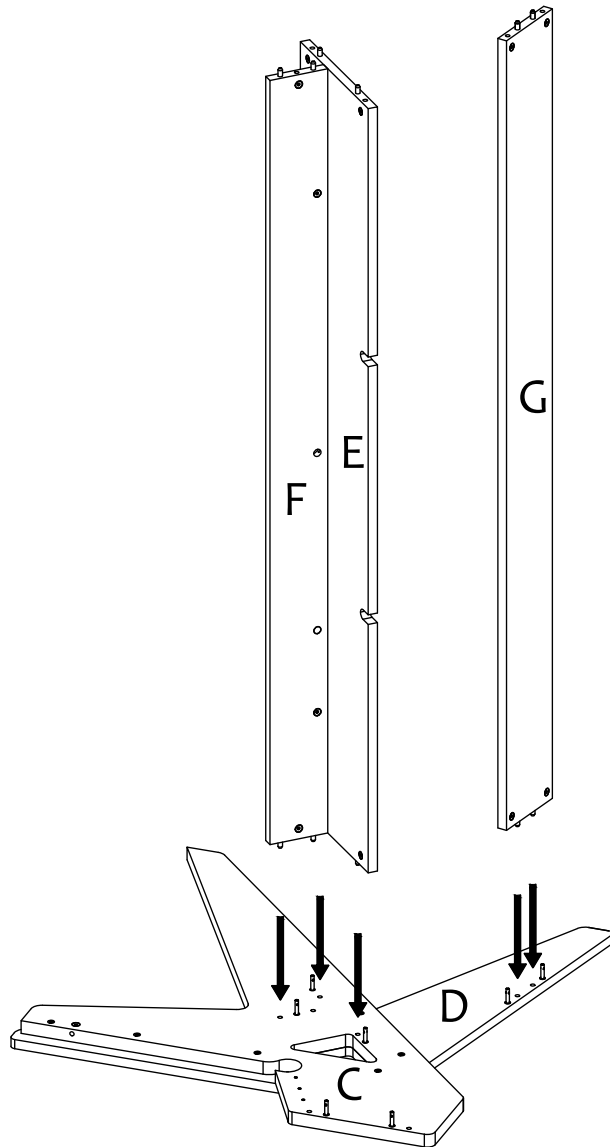


Join panels E and F. Attach, using the system bolts that you mount on the threaded inserts in panel F. Adjust so they are pointing such that holes can be seen when inserted into panel E (no need to tighten them). Use the small slanted screws to tighten the connection between the two panels. Proceed likewise for the other connections.



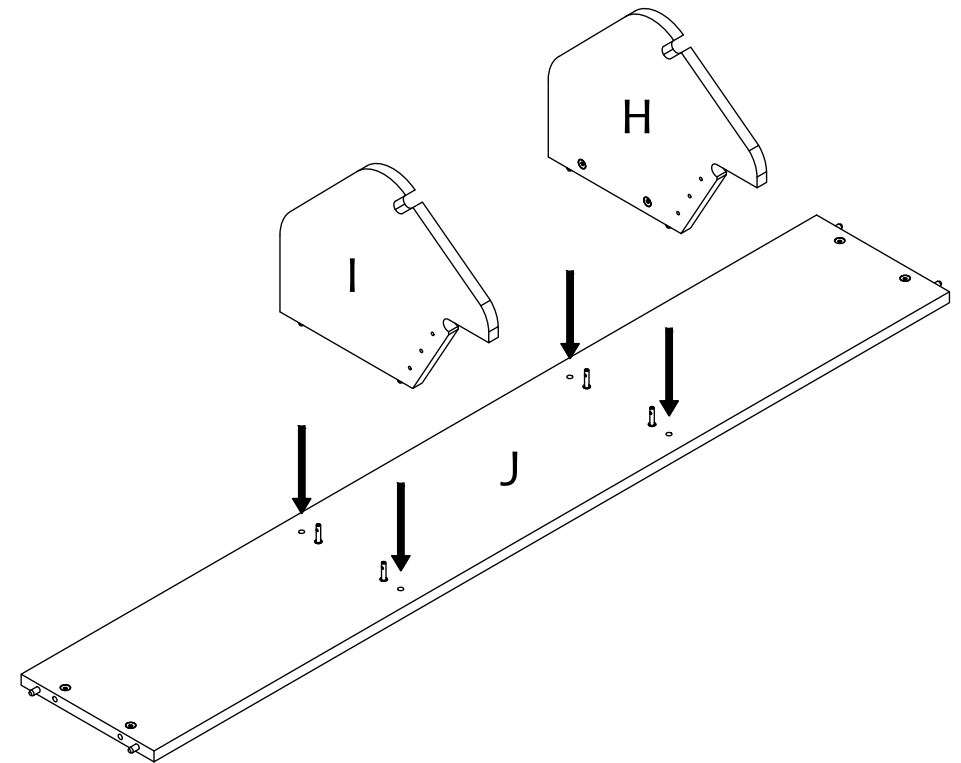
Assembly Manual

STEP 5



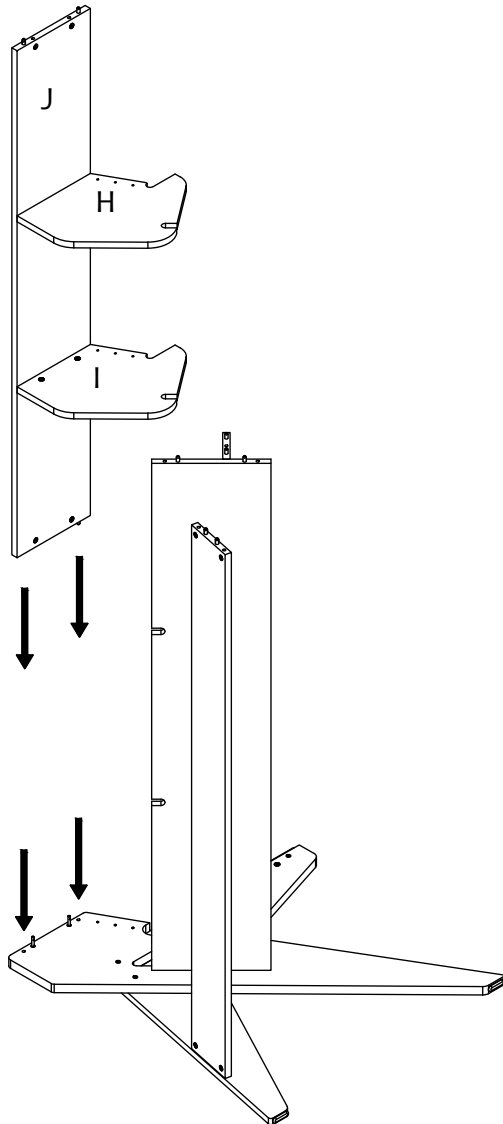
Assembly Manual

STEP 6



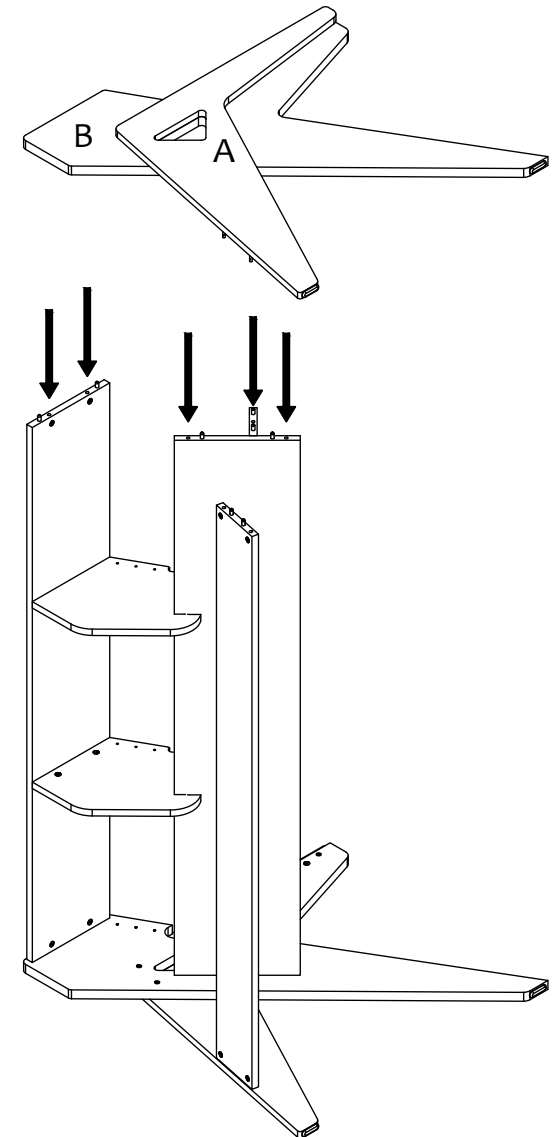
Assembly Manual

STEP 7



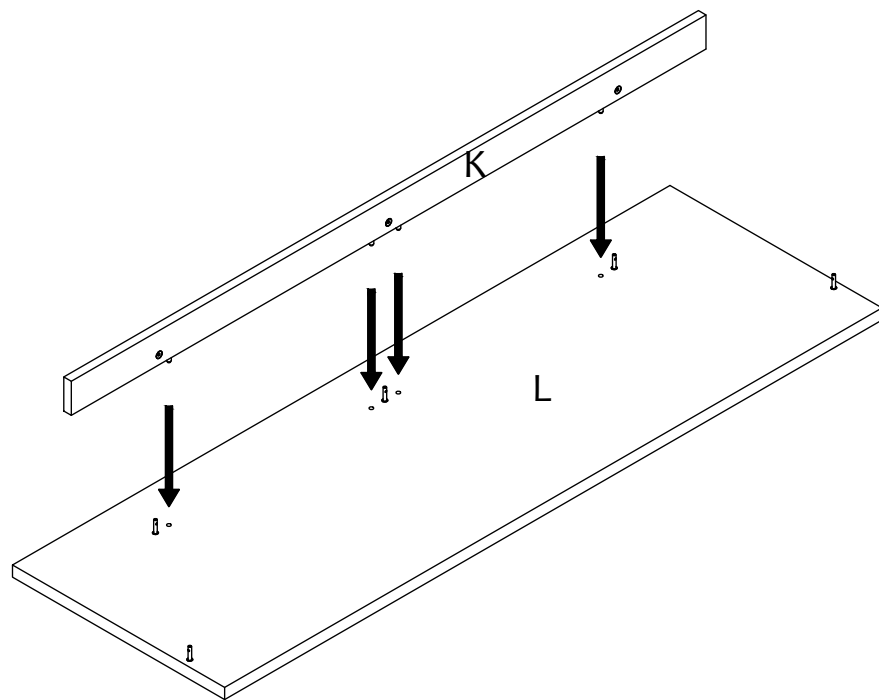
Assembly Manual

STEP 8



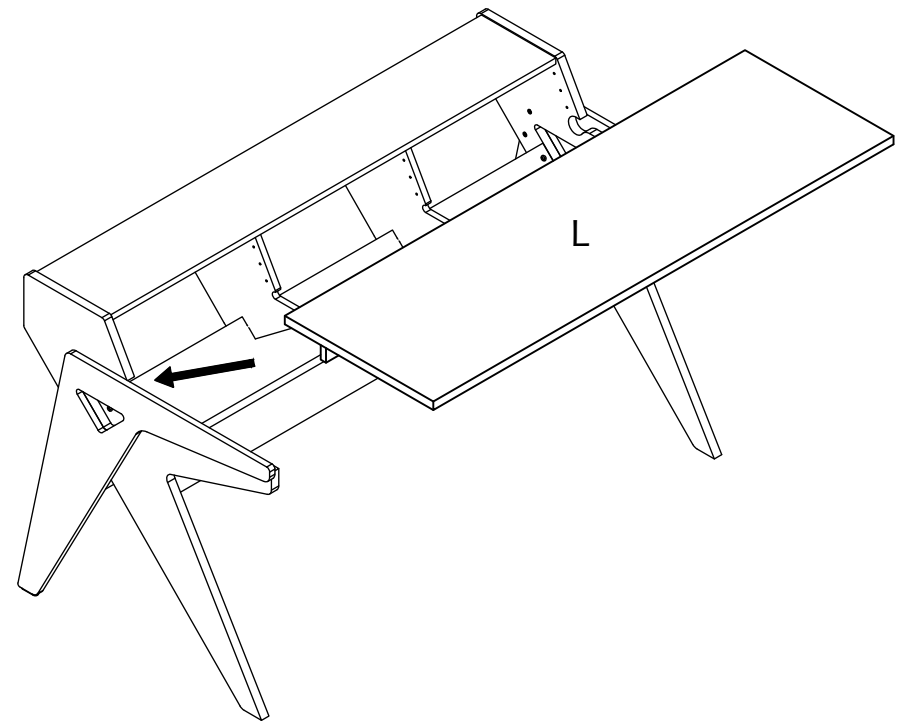
Assembly Manual

STEP 9



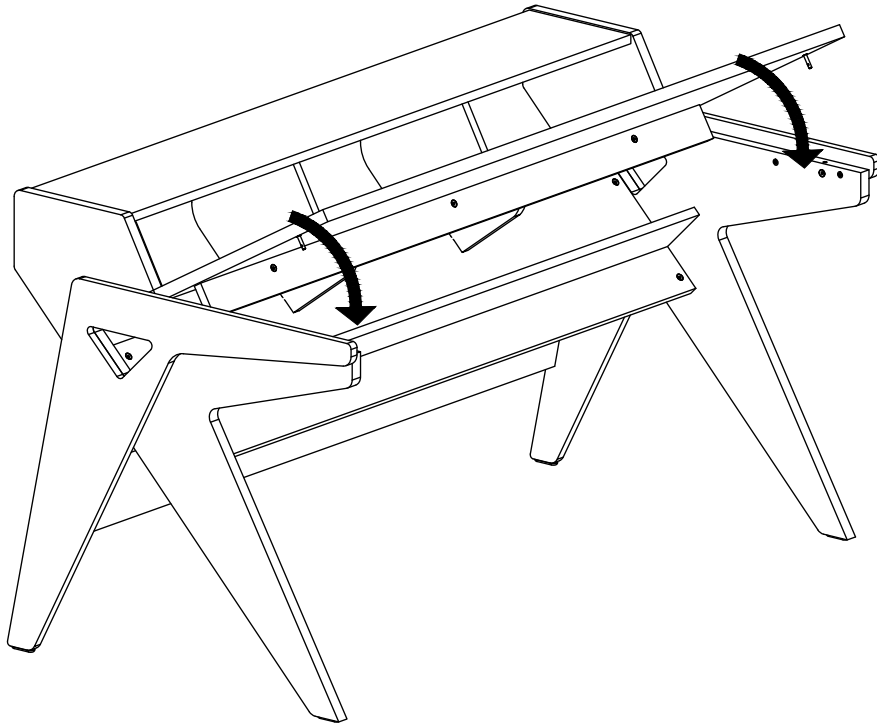
Assembly Manual

STEP 10



Assembly Manual

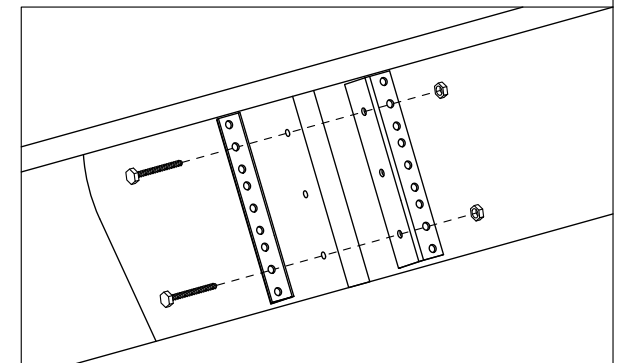
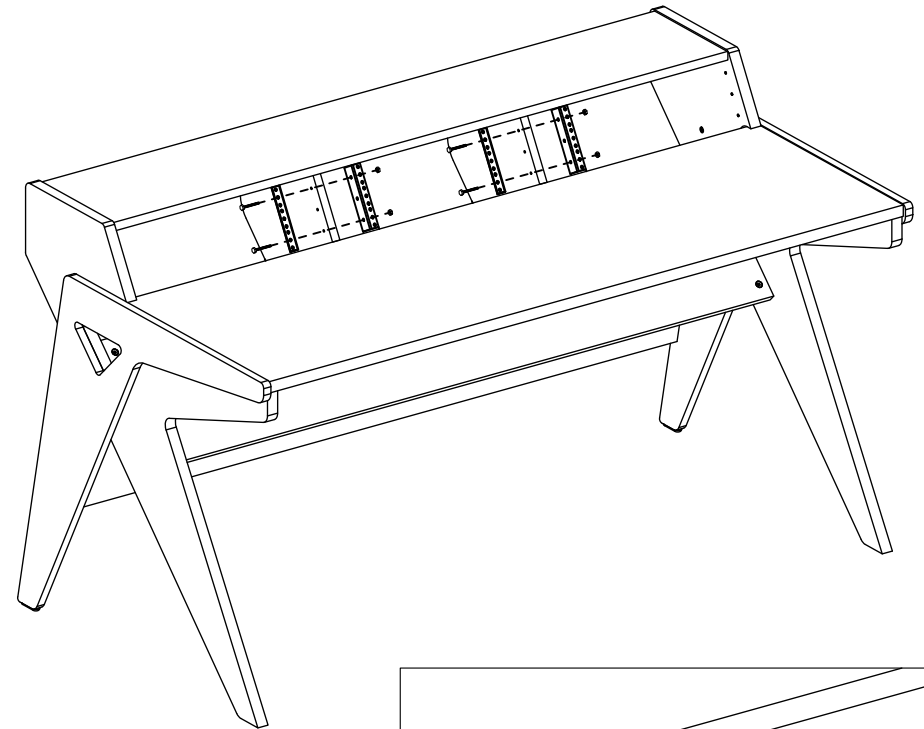
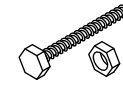
STEP 11



Assembly Manual

STEP 12

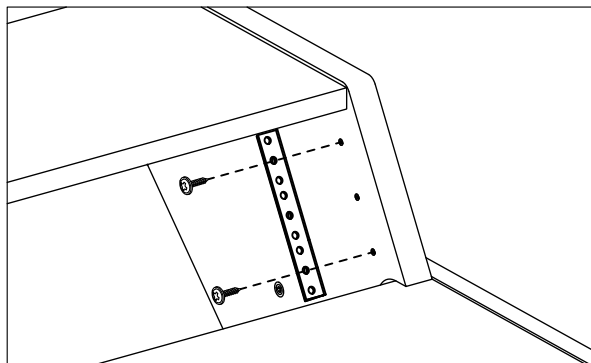
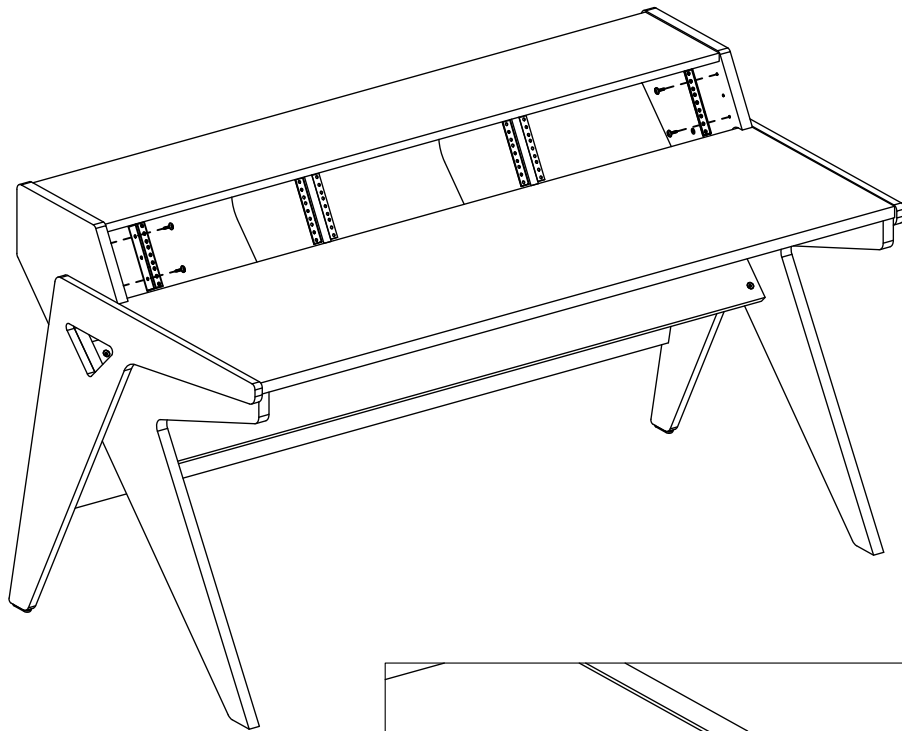
Use screws Type Rb



Assembly Manual

STEP 13

Use screws Type RS

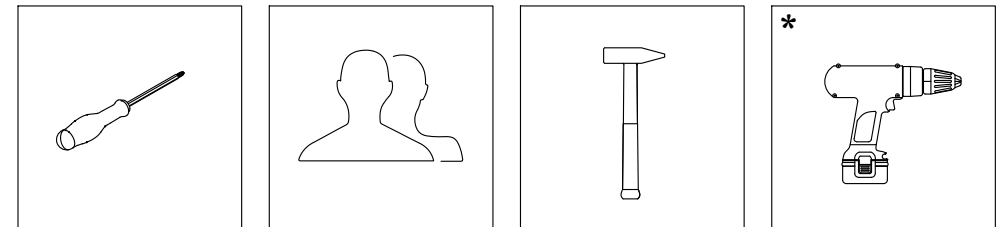


Assembly Manual

PACKING LIST:

<p>x28 Type W</p> <p>35 mm</p> <p>Wooden dowels</p>	<p>x28</p> <p>Assembly Kits</p>	<p>x12 Type B</p> <p>m6x35 mm</p>	<p>x6 Type R</p> <p>Rack rail</p>
<p>x6 Type Rb</p> <p>Rack bolt screws</p>	<p>x6 Type Rs</p> <p>Rack rail screws</p>	<p>x36 Type Ru</p> <p>Rack units screws</p>	<p>x1 Type H</p> <p>Hex wrench</p>

TOOLS:



*Suggested

INSTRUCTION FOR USE AND CLEANING

- clean with a soft cloth, slightly humid or specific products for wood or lacquer;
- avoid the use of abrasive cleaners.