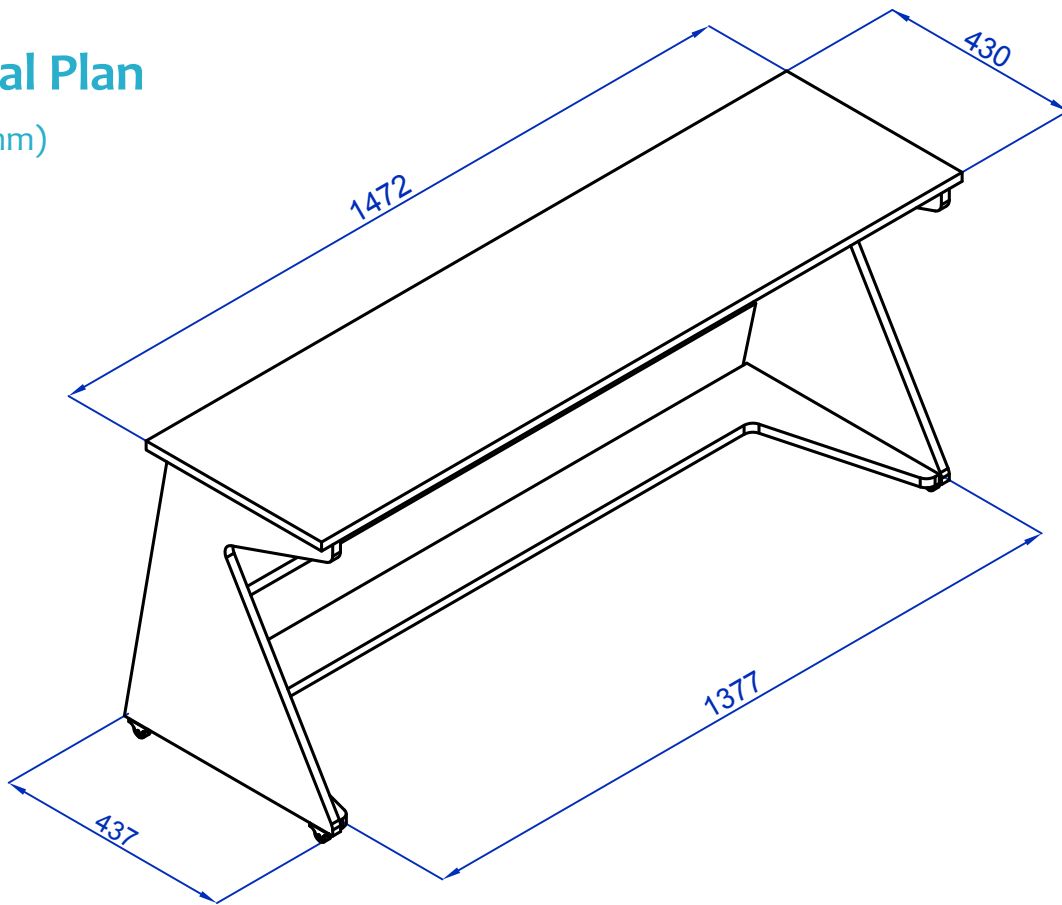
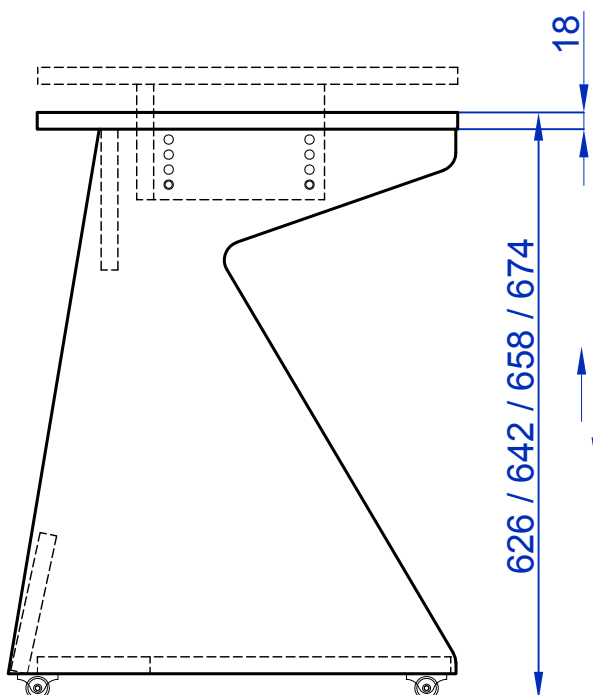


Technical Plan

Iso View (mm)



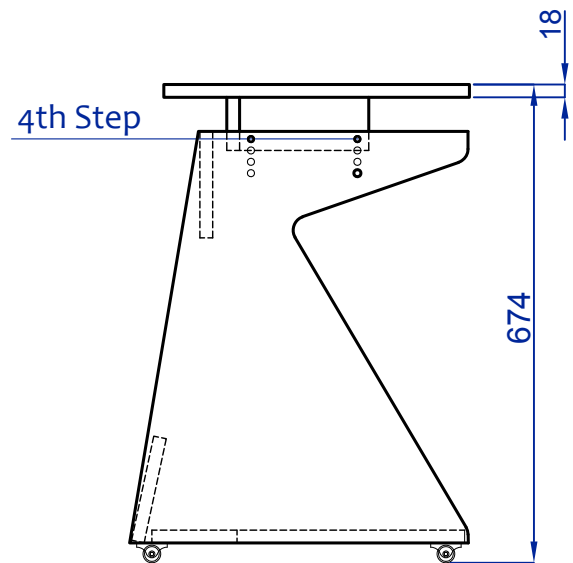
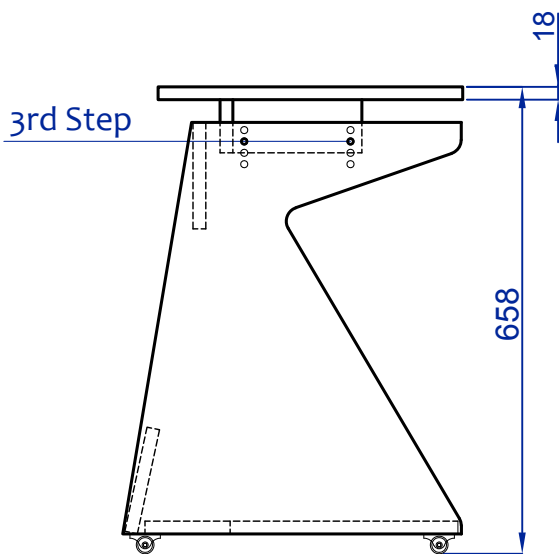
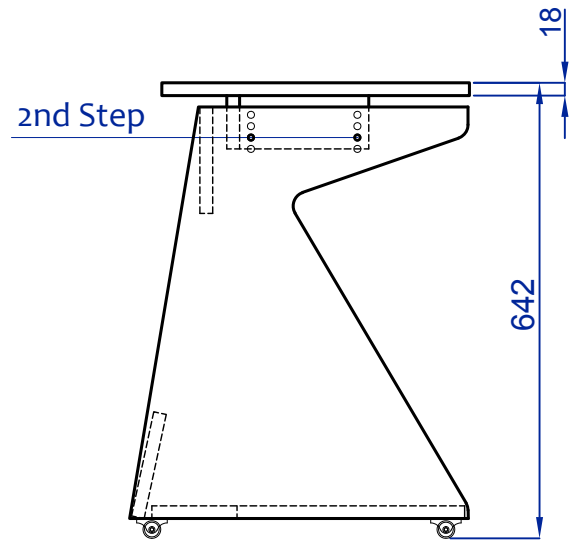
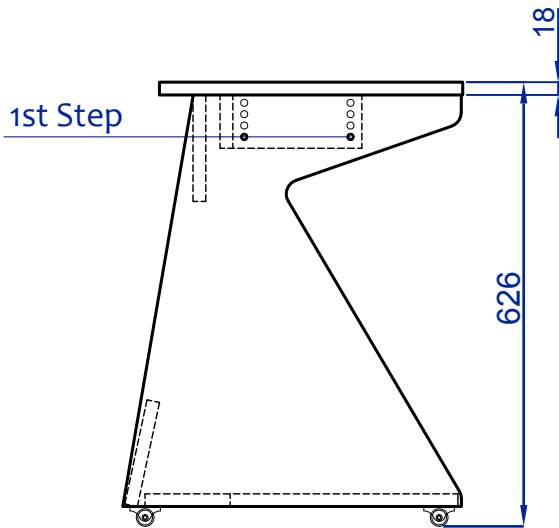
Side View (mm)



Adjustable height in 4 steps (mm):
(min) 626, 642, 658, 674 (max)

Technical Plan

High Step (mm)



Technical Plan

Vision W + Vision K (mm)

