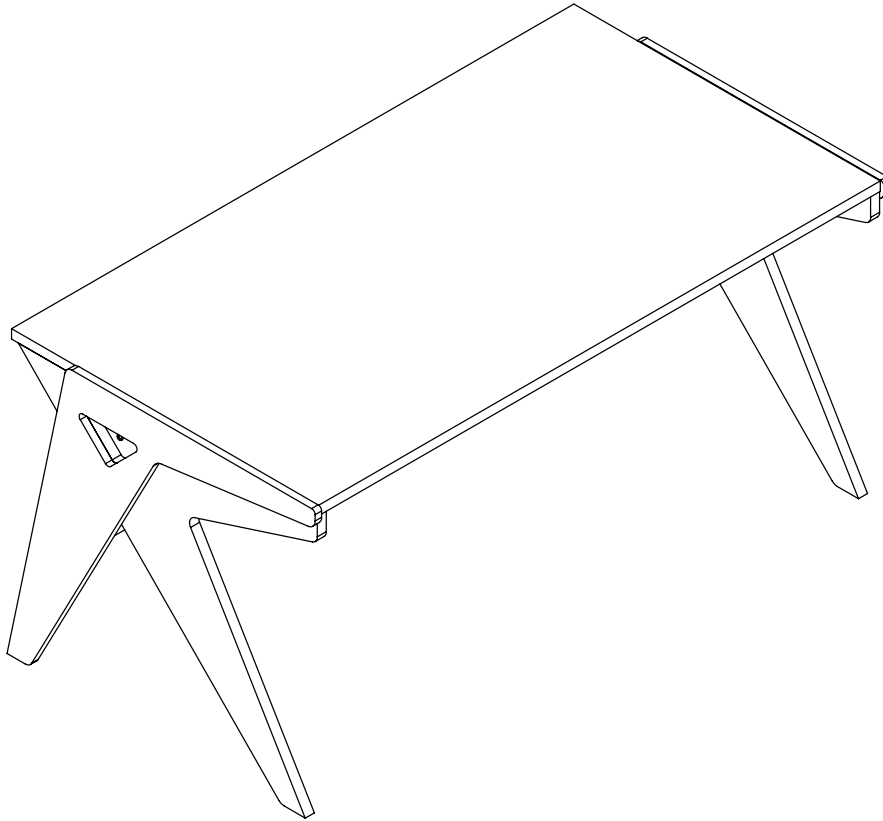
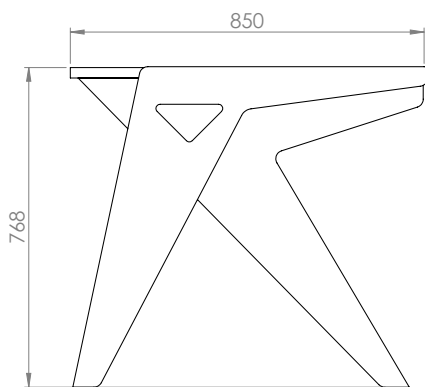


Technical Plan

ISOMETRIC VIEW



SIDE VIEW



FRONT VIEW



