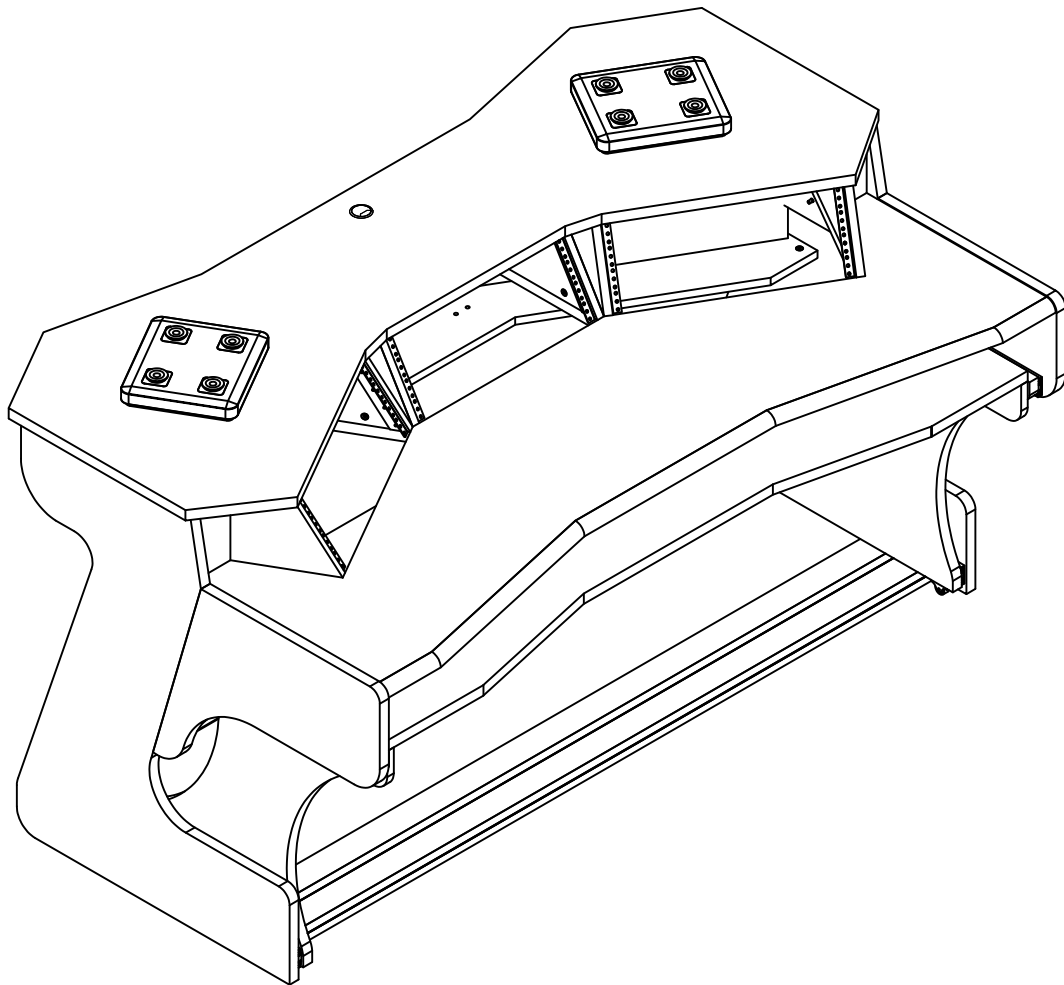


# Zaor<sup>®</sup>

**UPGRADE YOUR SPACE**



## **Miza X Flex**

### **Assembly Manual**

## Assembly Manual

Thanks for choosing a piece of furniture from Zaor. Before you can enjoy the use of it you need to build it. We tried to put all the explanations necessary for a safe build, when in doubt please get in touch or check out our Youtube channel where we are putting more and more assembly videos to help you with this important task. Enjoy!

### General technique for putting together Zaor desks

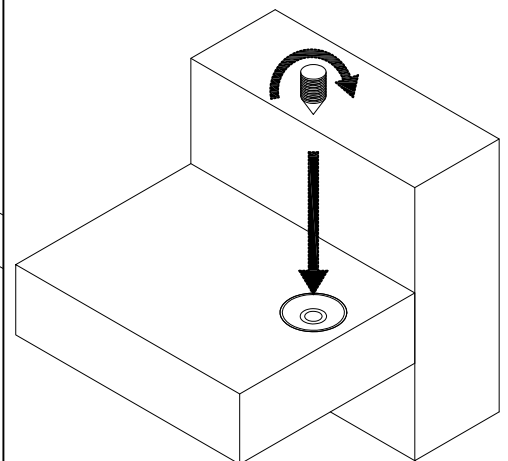
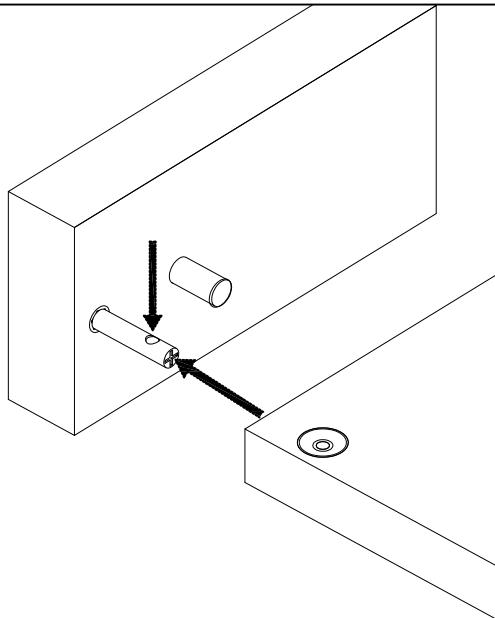
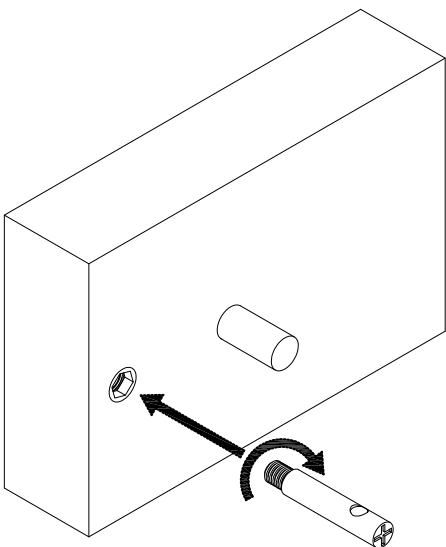
The assembly of your desk uses special kits.  
Here's how to use them

- 1) On the piece with the threaded insert(s) (A), put in the system bolt(s) and tighten making sure to align the hole in the system bolt at a 90° angle.

Please note that the system bolt may have a little slack in this position, which is fine!

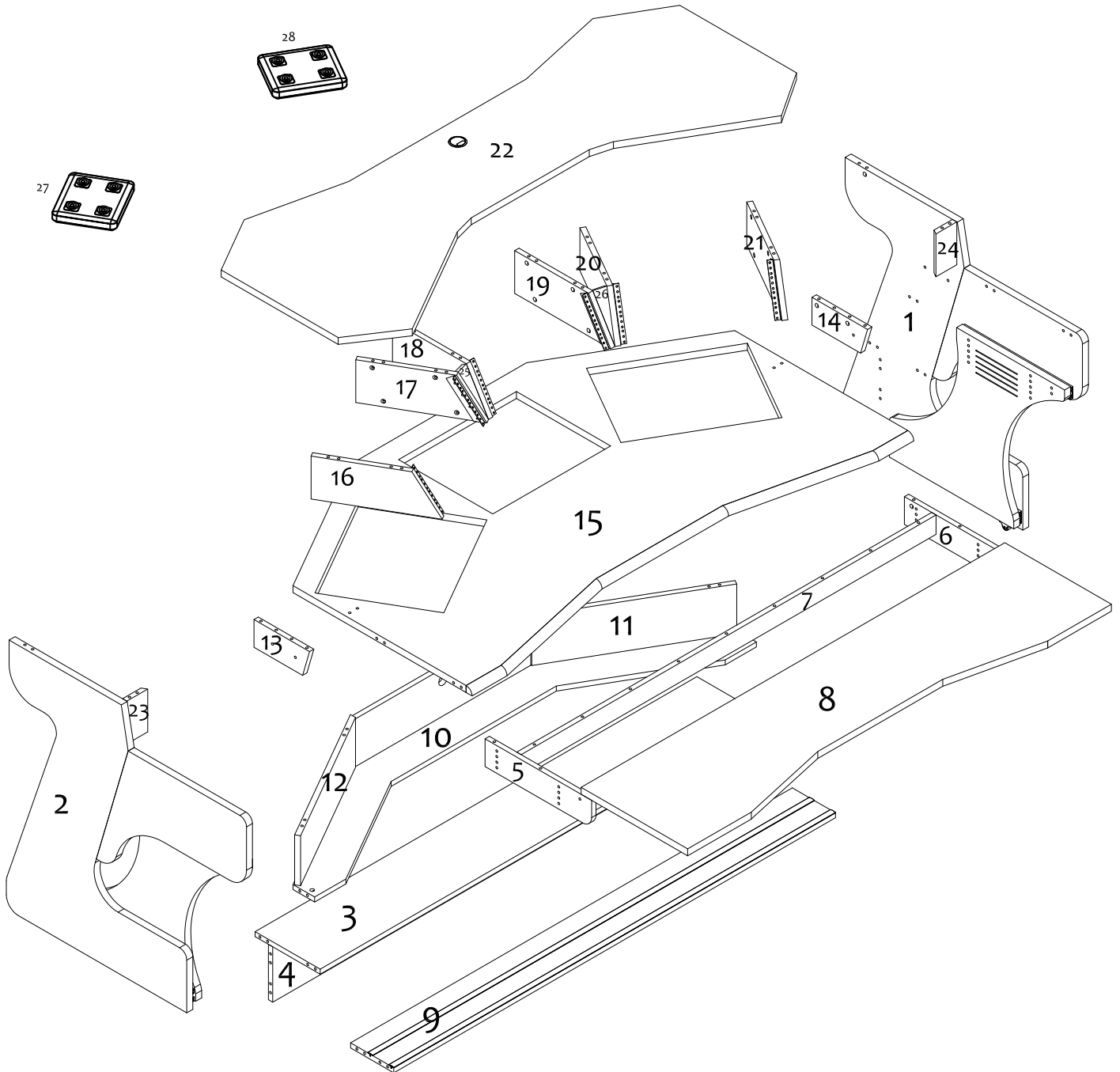
- 2) Ensure that the hole in the bolt aligns with the opening in the other piece to be able to put in the safety screw.

- 3) In each hole in the second piece, put in a cone shaped safety screw and tighten with a cross (philipps) screw driver - without forcing. The 2 parts will now be safely attached.



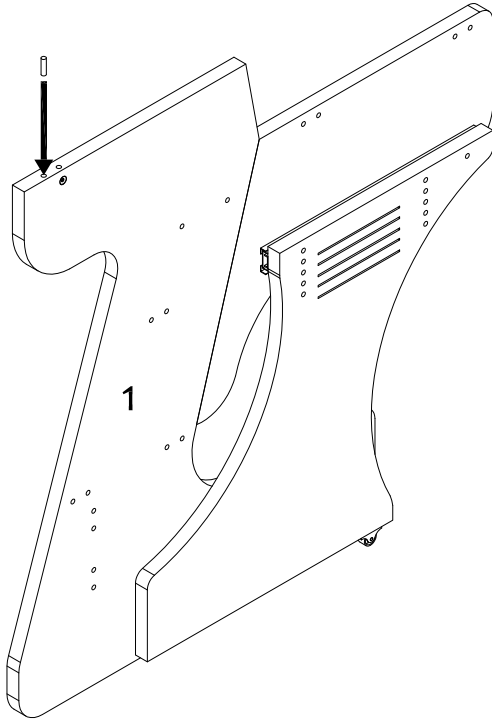
## Assembly Manual

Unpack the parts carefully (do not use a cutter on the foam wrapping, as you might damage the surface) and set up so that you can see the part numbers clearly. In the big box you should find a small cardboard box with all the screws and bolts for assembly.

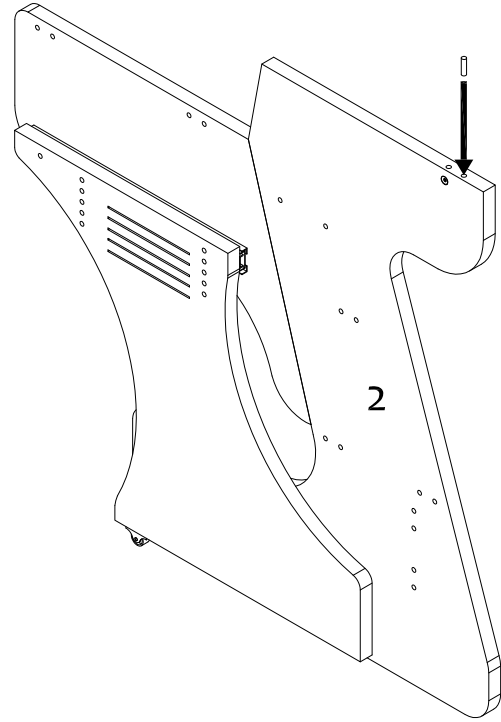


Here you have an exploded view of the whole desk and how it is supposed to come together. We use high quality furniture assembly components from renowned EU manufacturers. Please, never use force. These parts should come together easily, in case of doubt check the manual again or contact support.

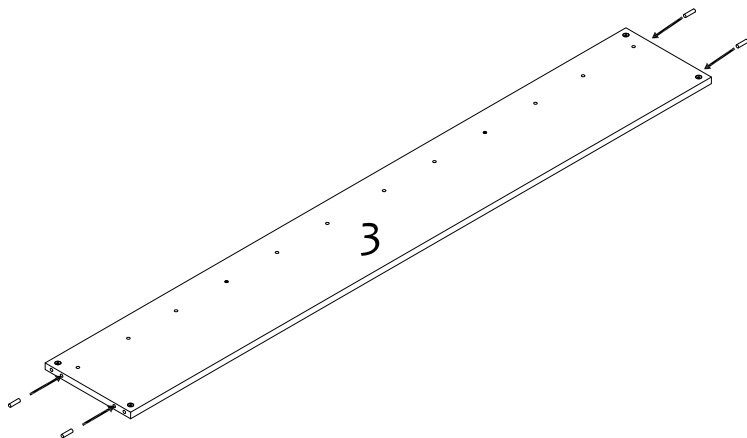
### Assembly Manual



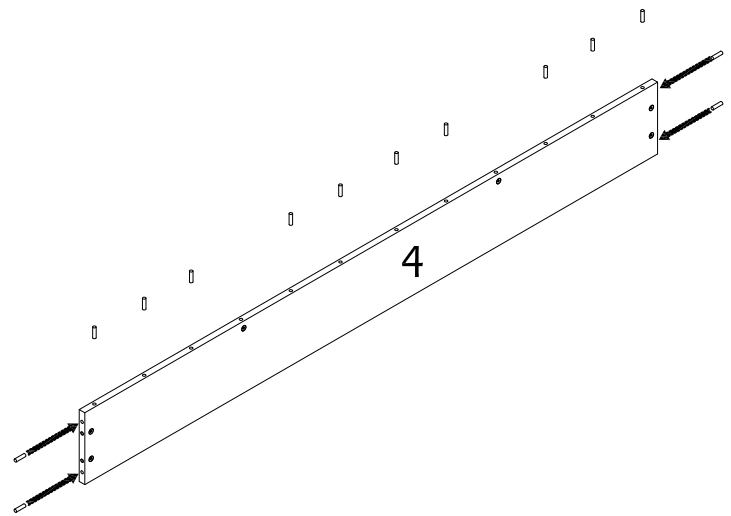
Step 1 Place the wooden dowels in the indicated holes and with the help of a small hammer push them all the way down (about half the dowel should disappear inside the hole).



Step 2

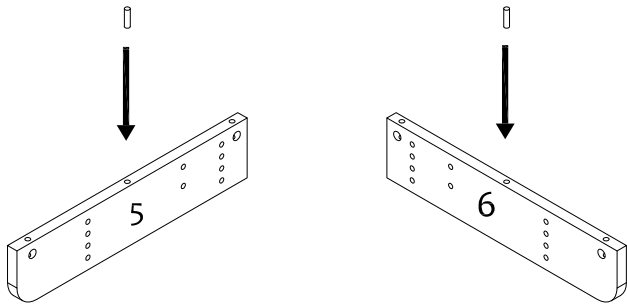


Step 3

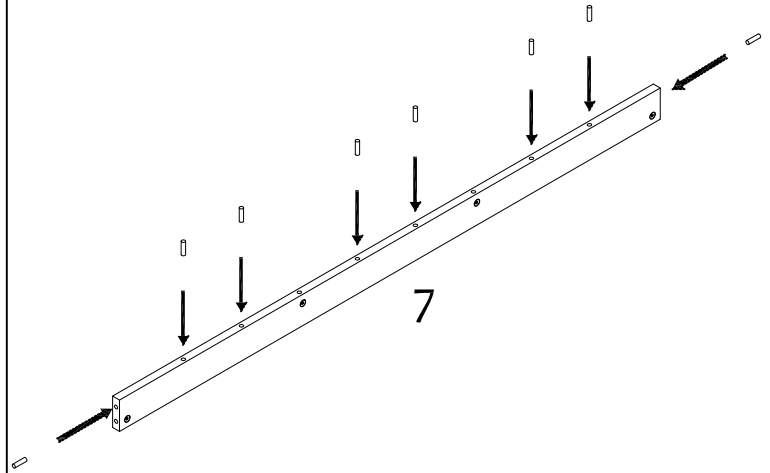


Step 4

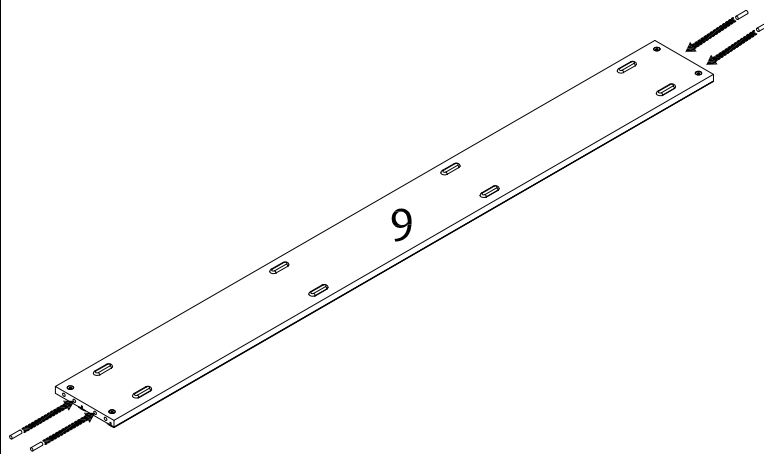
## Assembly Manual



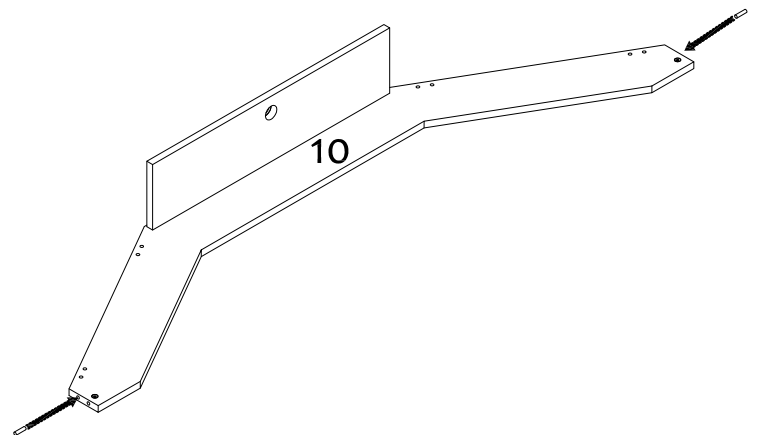
Step 5



Step 6

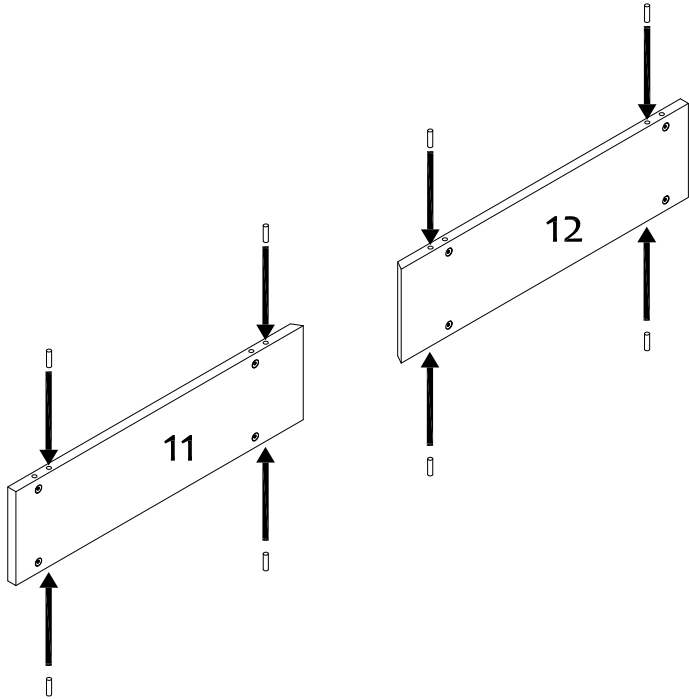


Step 7

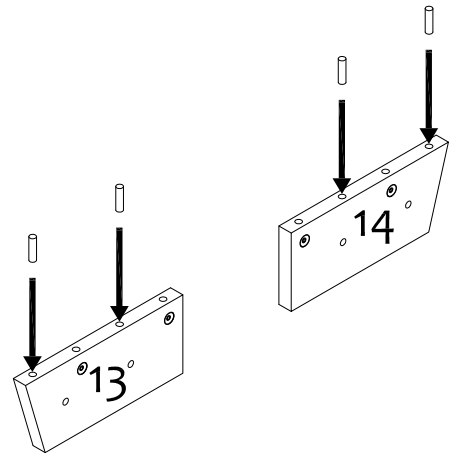


Step 8

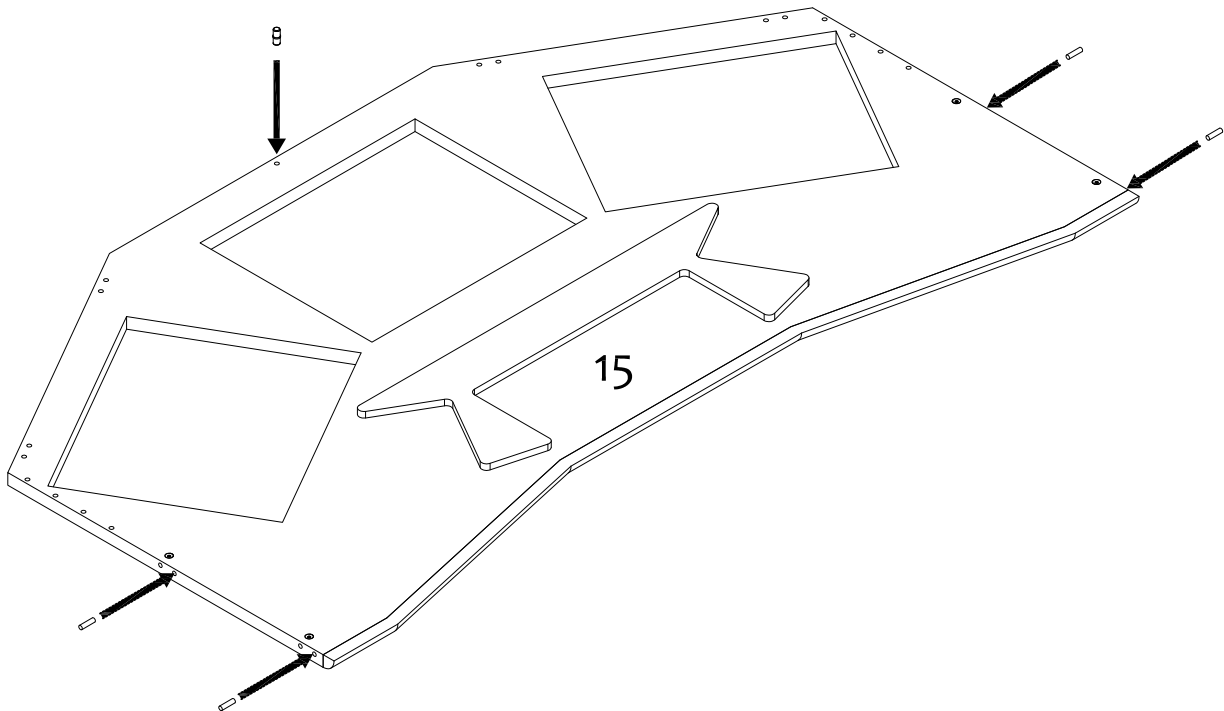
## Assembly Manual



Step 9

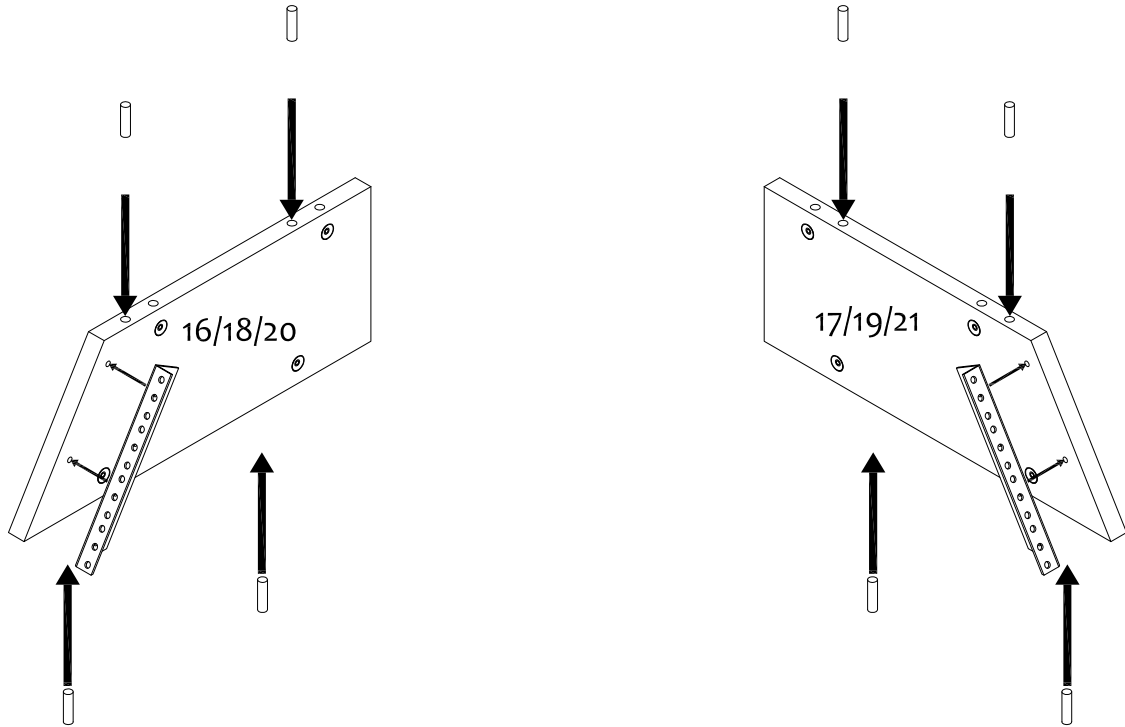


Step 10

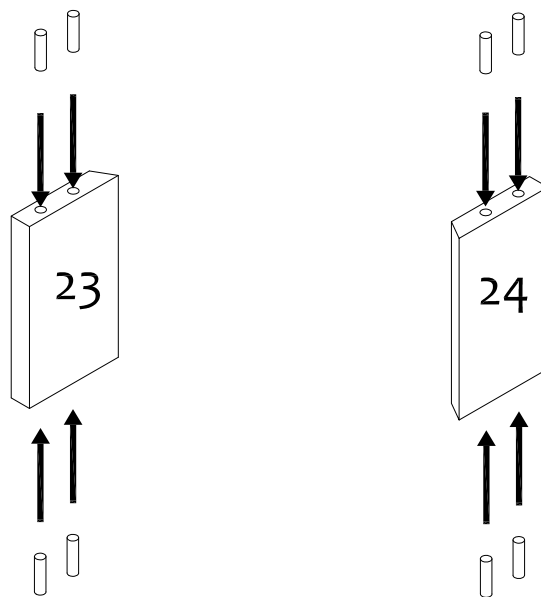


Step 11 Insert the wooden dowels as in the previous steps. Then insert the stopper in the respective hole as shown.

### Assembly Manual

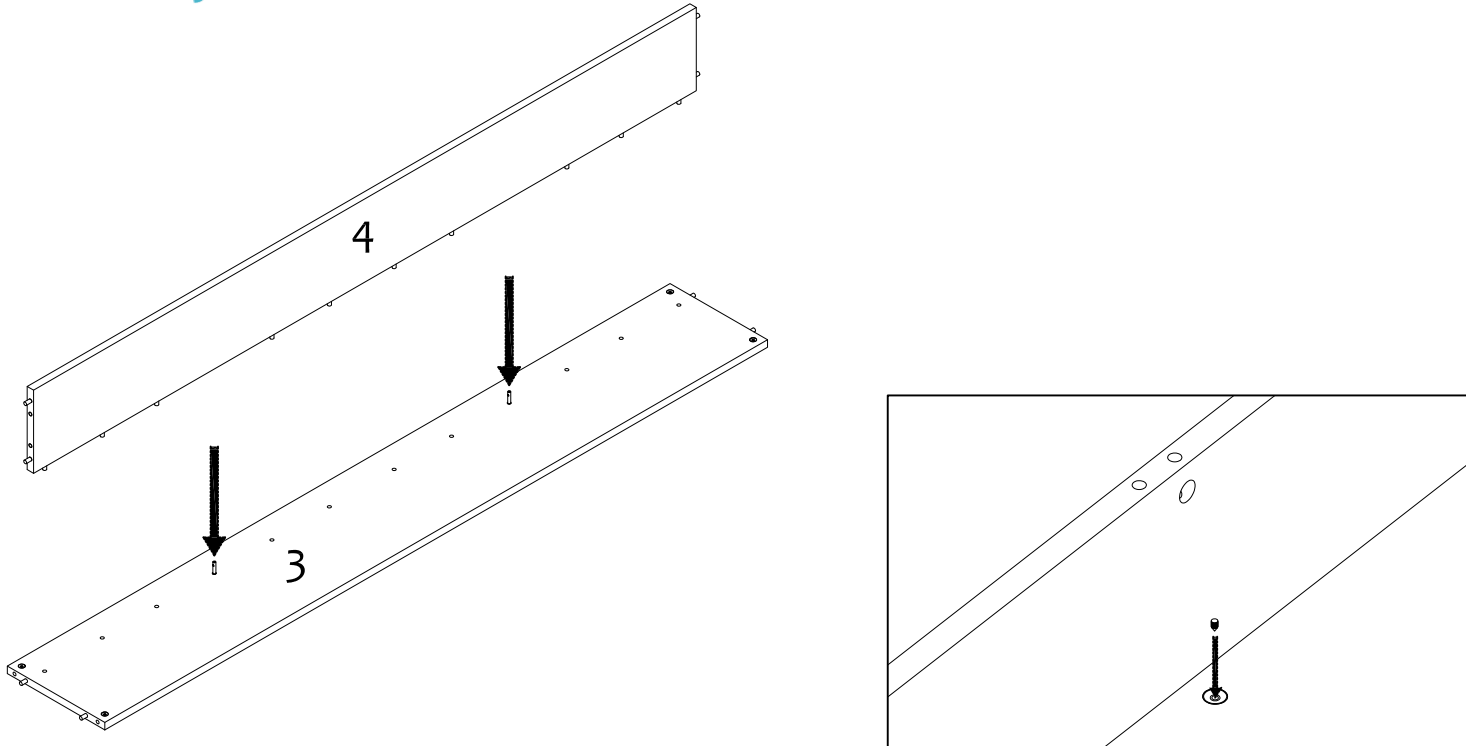


Step 12 Insert the wooden dowels as in the previous steps. Then attach the rack bars in the respective holes as shown, using the screws of the type C, in all the separator panels, namely 16, 17, 18, 19, 20 and 21.

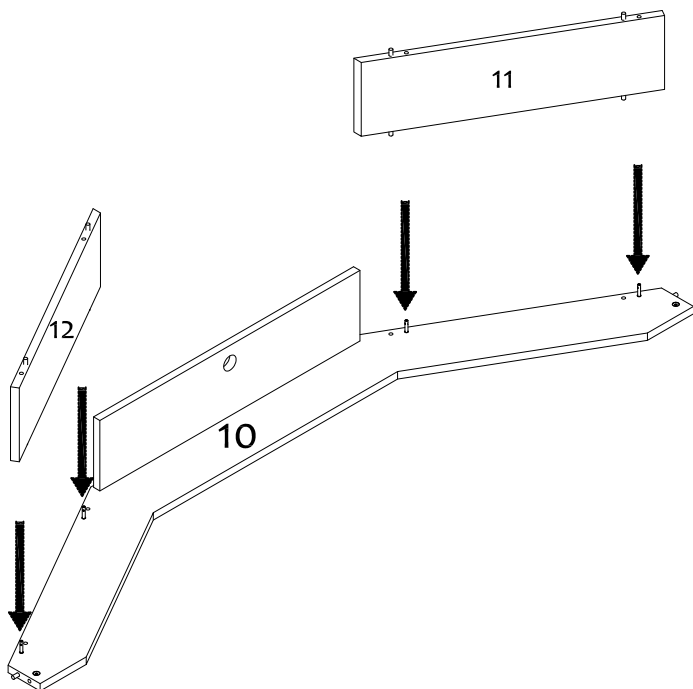


Step 13

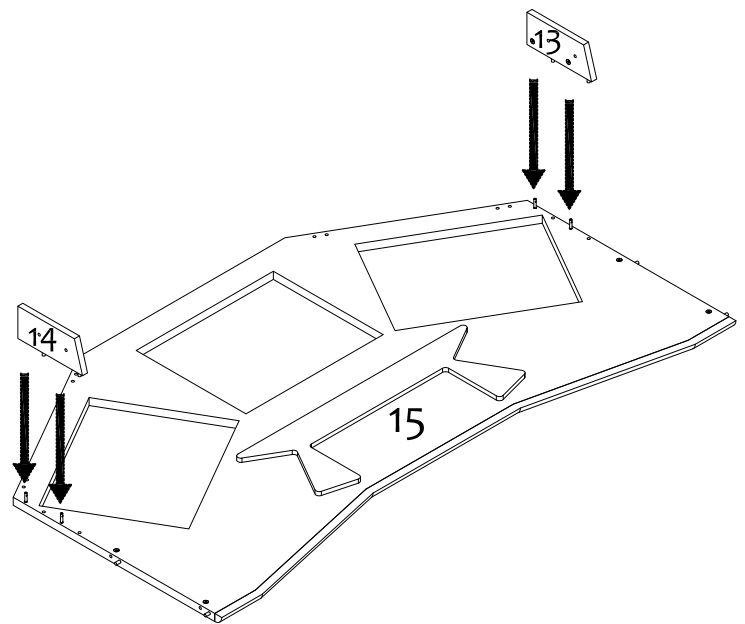
## Assembly Manual



**Step 14** Join panels n°3 and n°4. Attach, using the system bolts that you mount on the threaded inserts in panel n°3. Adjust so they are pointing such that holes can be seen when inserted into panel n°4 (no need to tighten them). Use the small slanted screws to tighten the connection between the two panels. Proceed likewise for the other connections.



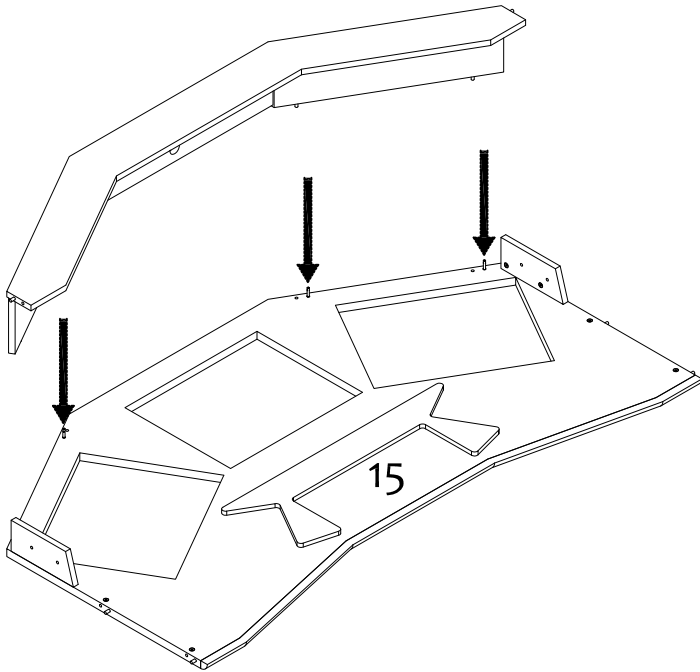
**Step 15**  
Join panels n° 11 and n° 12 to 10. Attach as step n°1.



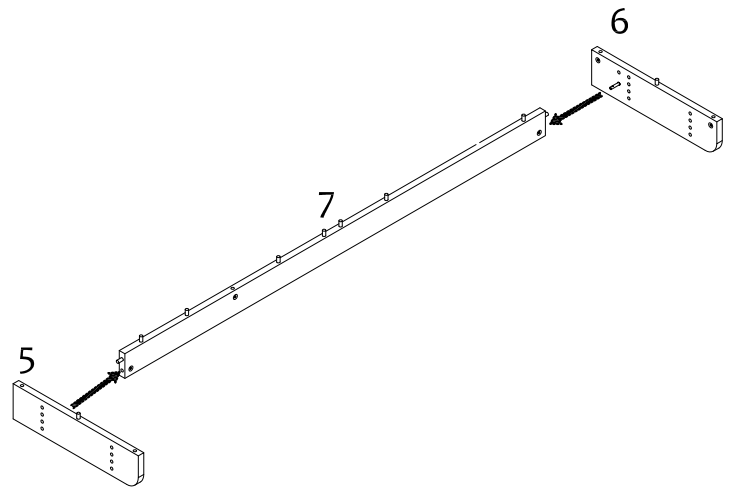
**Step 16**  
Join panels n° 13 and n° 14 to 15. Attach as step n°1.



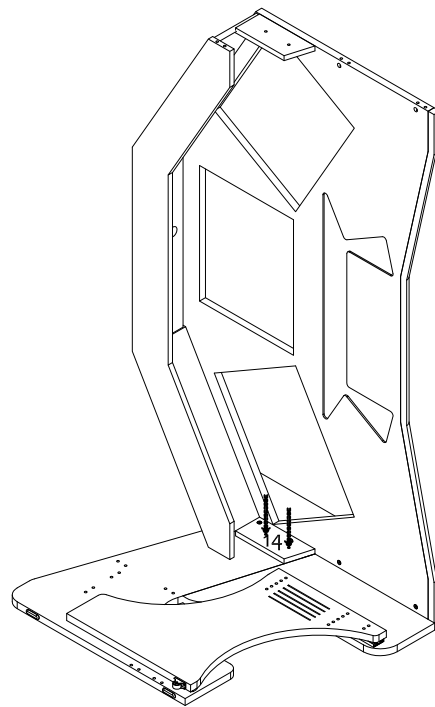
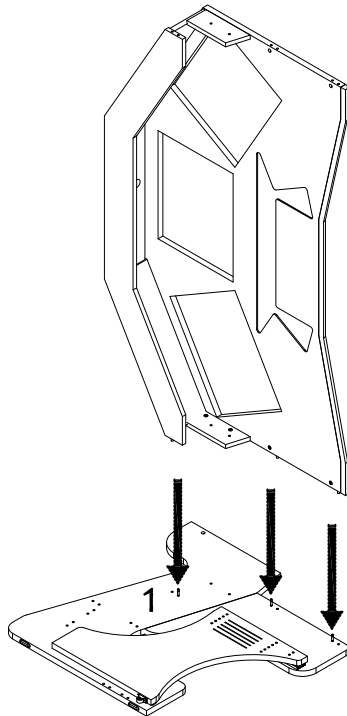
### Assembly Manual



**Step 17**  
Take the assembly from step 2 (parts 10,11 + 12 ) join panels n° 15 (module A).

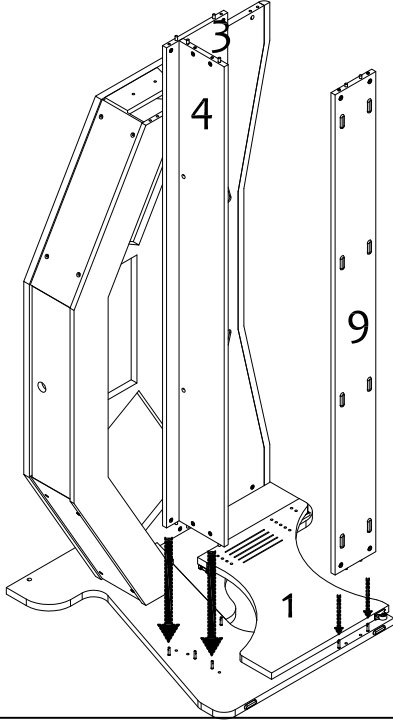


**Step 18**  
Join panels n° 5 and n° 6 to 7. Attach as step n°1.

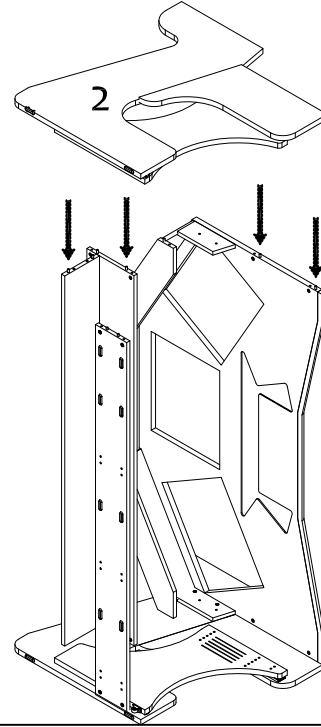


**Step 19** Place side part n°1 as shown using a carpet or soft cloth. Attach the module A down, being careful to align all bolts with their respective holes. Complete the operation by fixing the panel n° 14 to the side part n° 1 using the screws of type B.

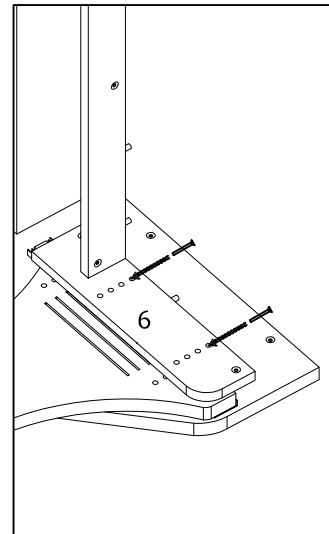
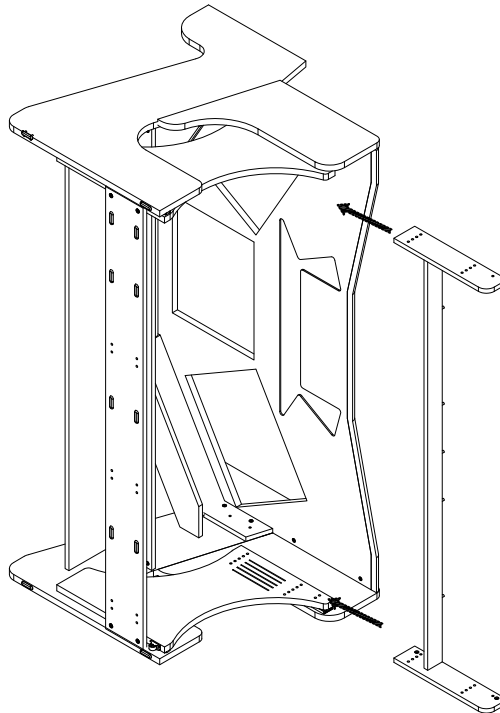
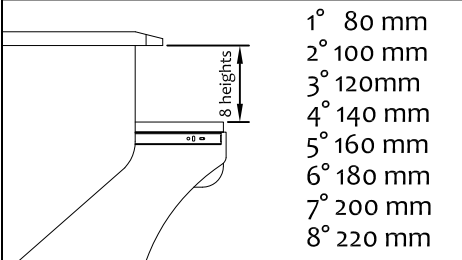
## Assembly Manual



**Step 20**  
Add panels n°9 and n°3 and n° 4 to panel n° 1 attach as in step n°1.

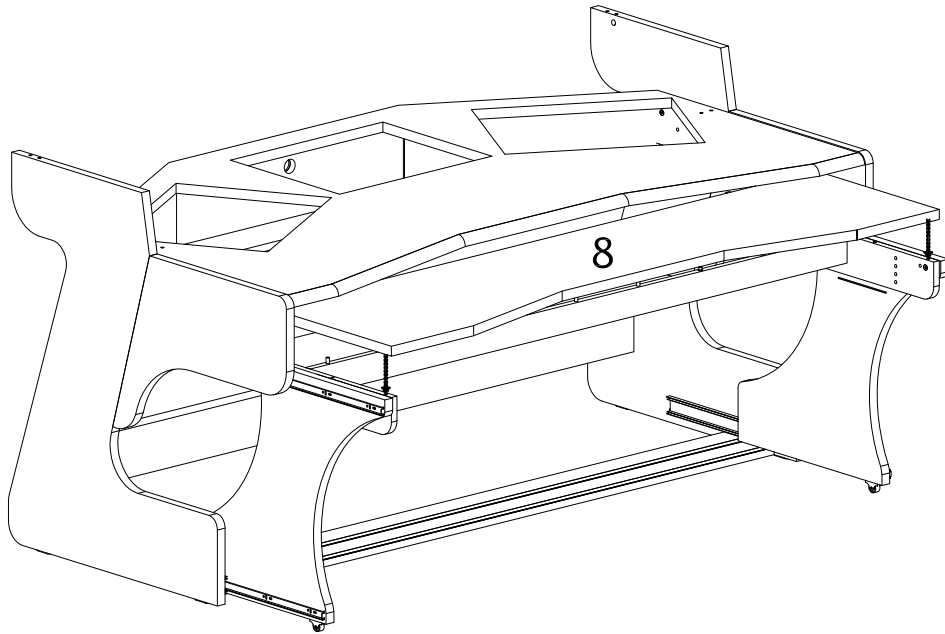


**Step 21** Add the system bolts to n°2 where you see threaded inserts. Watch the direction of the holes! No need to tighten. Add side part n°2 from the top, align and attach as step n°1.

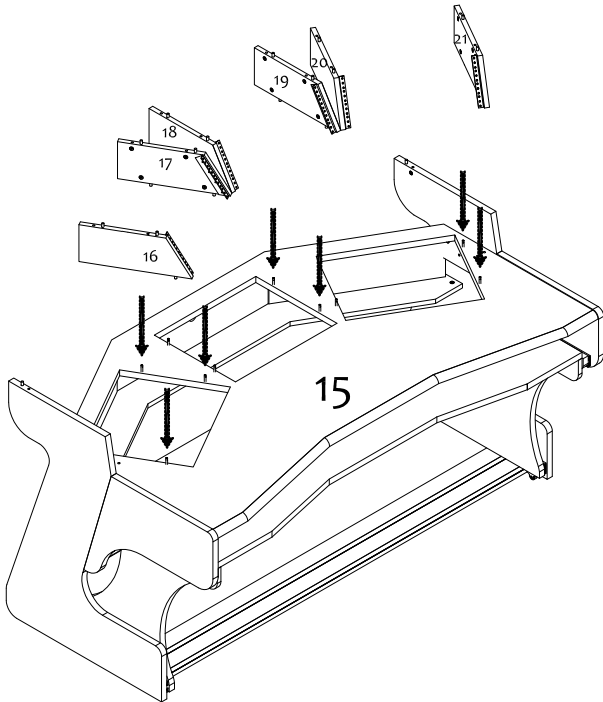


**Step 22** Take the assembly from step 5 (parts 5, 6 + 7) and place it between the two sideparts (1+2). Choose the height required for your keyboard or other devices and attach with machine screws (A), careful to use the same holes on both sides.

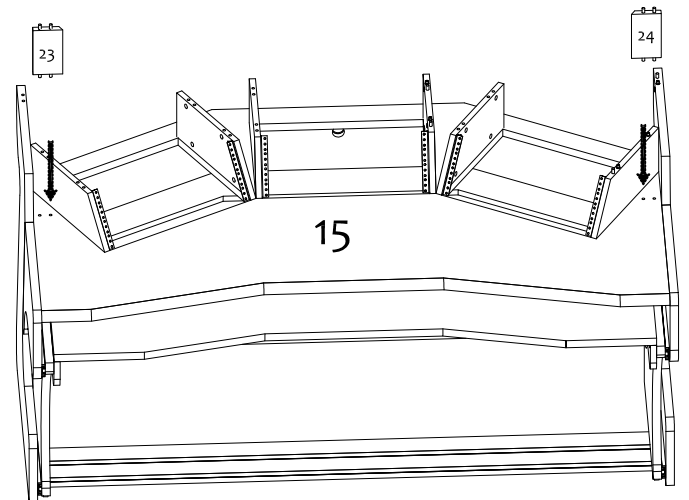
### Assembly Manual



Step 23 After carefully lifting upright the assembly, place the drawer tray (n° 8) on top of parts 7, 9 + 10 and fix using kits as described earlier. Make sure the pull-out mechanism works smoothly.

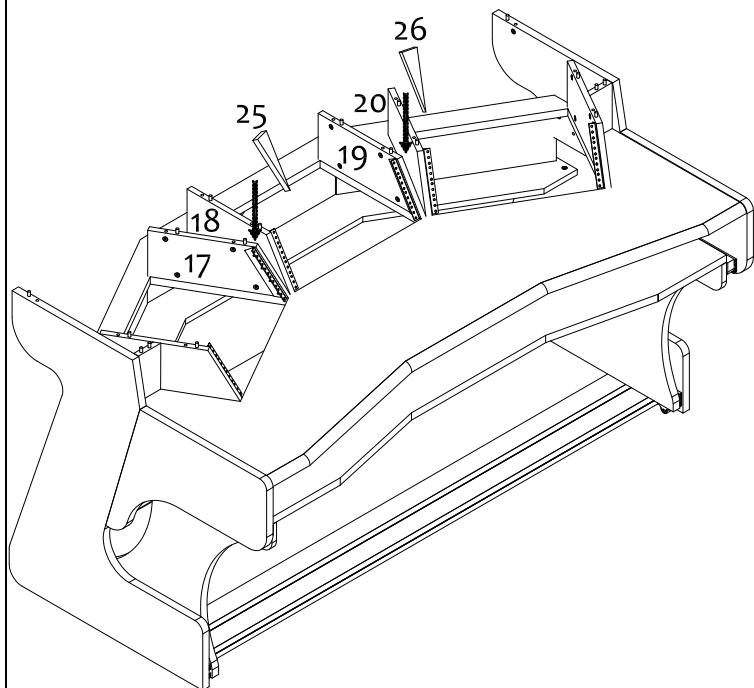


Step 24 Using the same assembly kits as before, fix the separators 16 thru 21 as done before.

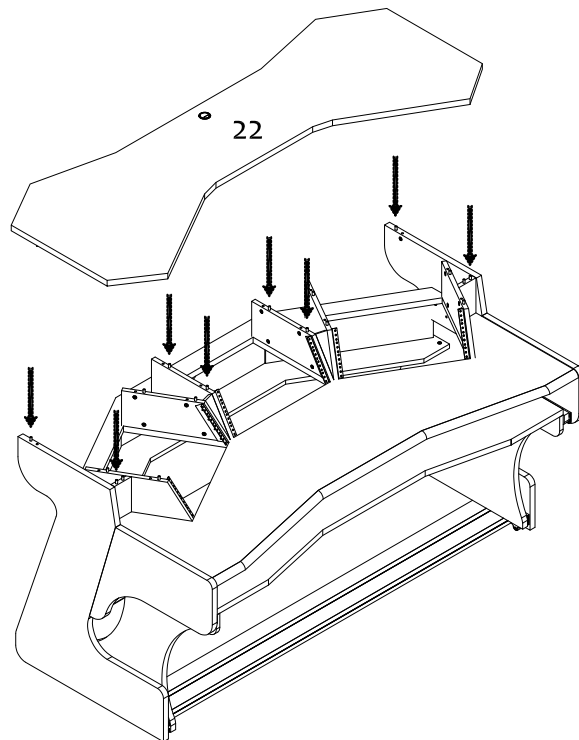


Step 25 Add panels n° 23 and n° 24 by inserting the wooden dowels in the respective holes on the desktop n° 15.

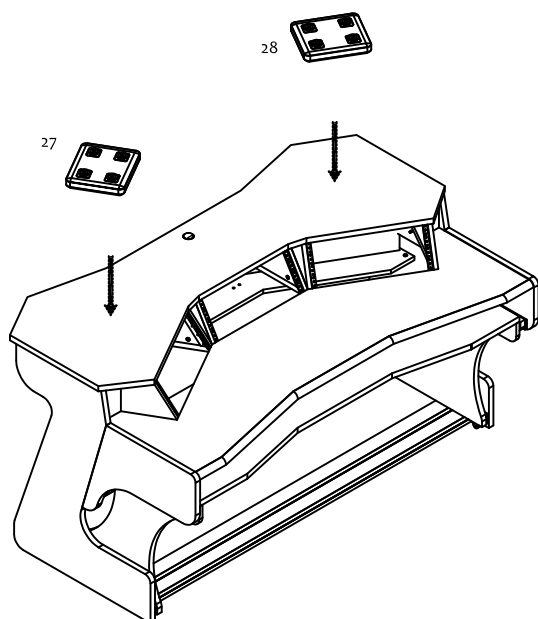
### Assembly Manual



**Step 26** Using the grooves on the separator panels 17 +18 and 19 +20 slide in the parts n° 25 and n° 26.



**Step 27** Complete the assembly by lowering and fixing panel n° 22 on top of the sideparts and separators, using the assembly kits like before (safety pins screwed in n° 22, using the conic screws to lock them once inside the vertical parts).



**Step 28**

#### MATERIALS USED:

Melaminated chip board, solid wood.

#### PACKING LIST

- N° 28 wooden parts;
- N° 04 M6x30 screws (A);
- N° 04 M6x30 screws (B);
- N° 12 M4x16 screws (C);
- N° 48 M6x12 Rack screws (R);
- N° 66 assembly kits;
- N 85 wooden dowels 40mm;
- N° 01 hex wrench;
- N° 01 stopper;

#### INSTRUCTION FOR USE AND CLEANING

- clean with a soft cloth, slightly humid or specific products for wood or lacquer;
- avoid the use of abrasive cleaners.

**YOU NEED 2 PEOPLE TO ASSEMBLE THIS DESK!**