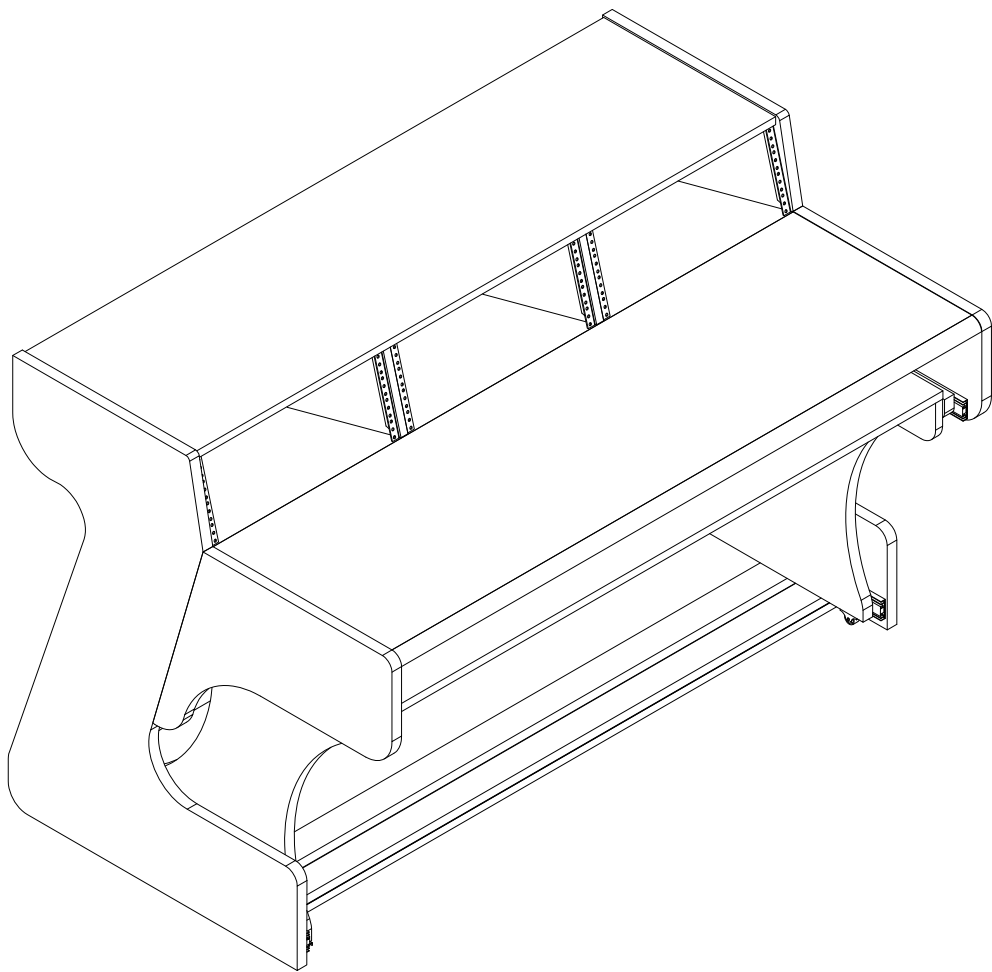


# Zaor<sup>®</sup>

**UPGRADE YOUR SPACE**



## **Miza 88XL Flex**

### **Assembly Manual**

## Assembly Manual

Thanks for choosing a piece of furniture from Zaor. Before you can enjoy the use of it you need to build it. We tried to put all the explanations necessary for a safe build, when in doubt please get in touch or check out our Youtube channel where we are putting more and more assembly videos to help you with this important task. Enjoy!

### General technique for putting together Zaor desks

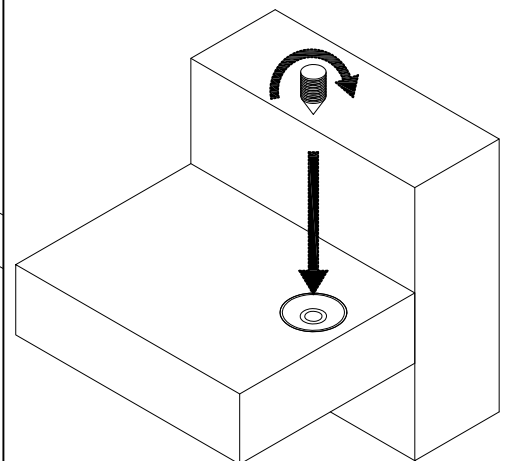
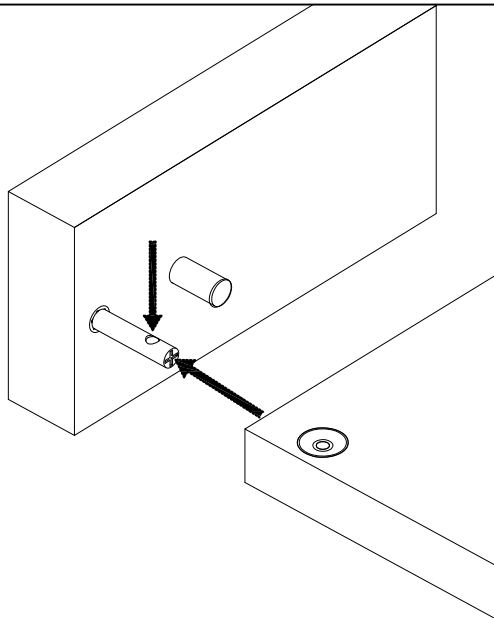
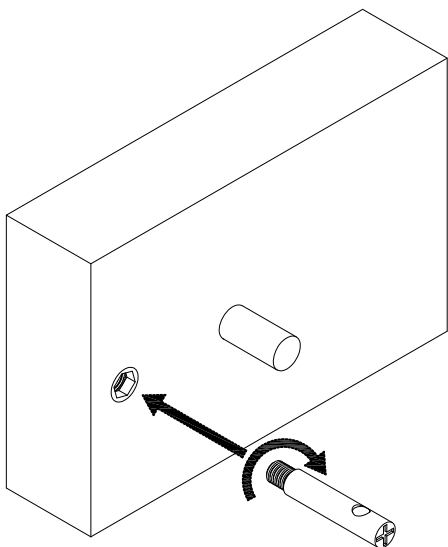
The assembly of your desk uses special kits.  
Here's how to use them

- 1) On the piece with the threaded insert(s) (A), put in the system bolt(s) and tighten making sure to align the hole in the system bolt at a 90° angle.

Please note that the system bolt may have a little slack in this position, which is fine!

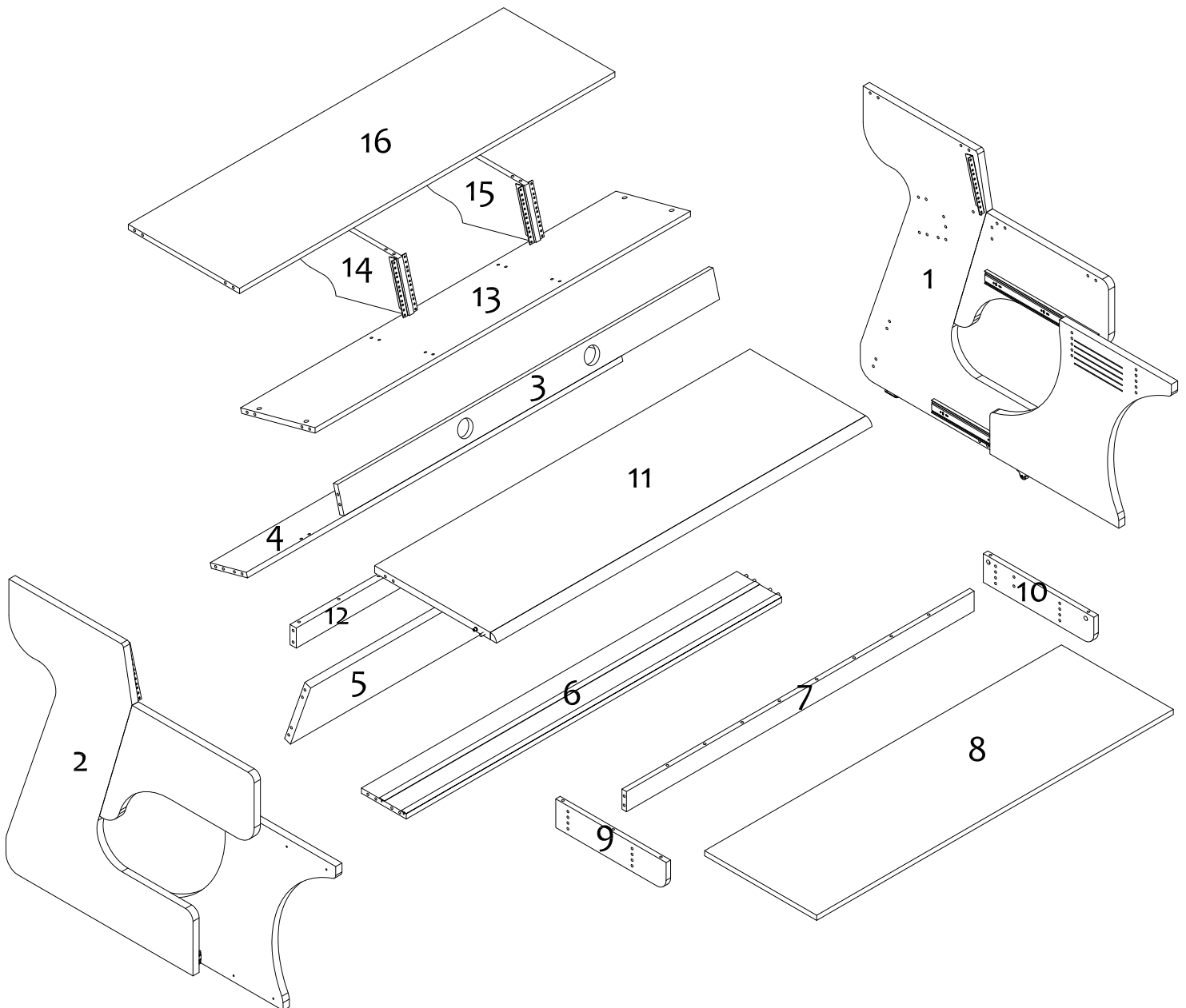
- 2) Ensure that the hole in the bolt aligns with the opening in the other piece to be able to put in the safety screw.

- 3) In each hole in the second piece, put in a cone shaped safety screw and tighten with a cross (philipps) screw driver - without forcing. The 2 parts will now be safely attached.



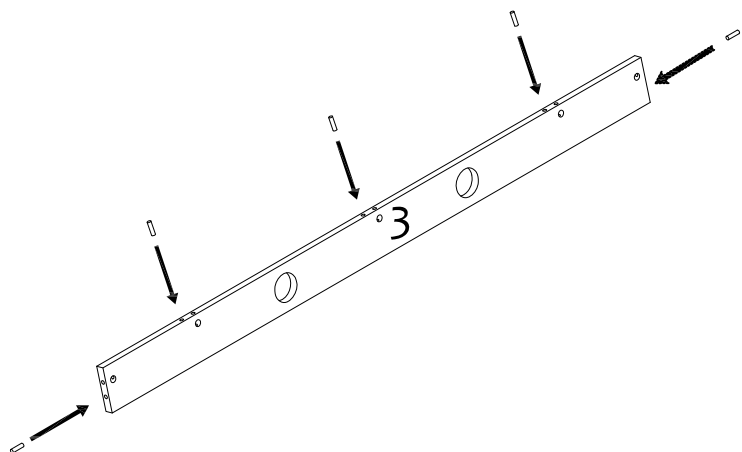
## Assembly Manual

Unpack the parts carefully (do not use a cutter on the foam wrapping, as you might damage the surface) and set up so that you can see the part numbers clearly. In the big box you should find a small cardboard box with all the screws and bolts for assembly.

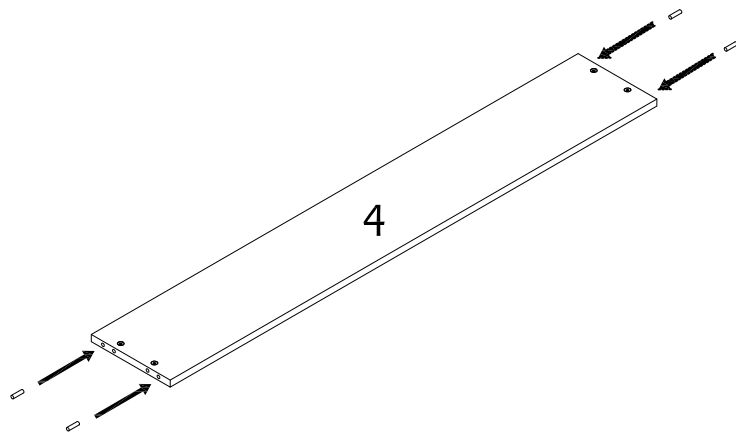


Here you have an exploded view of the whole desk and how it is supposed to come together. We use high quality furniture assembly components from renowned EU manufacturers. Please, never use force. These parts should come together easily, in case of doubt check the manual again or contact support.

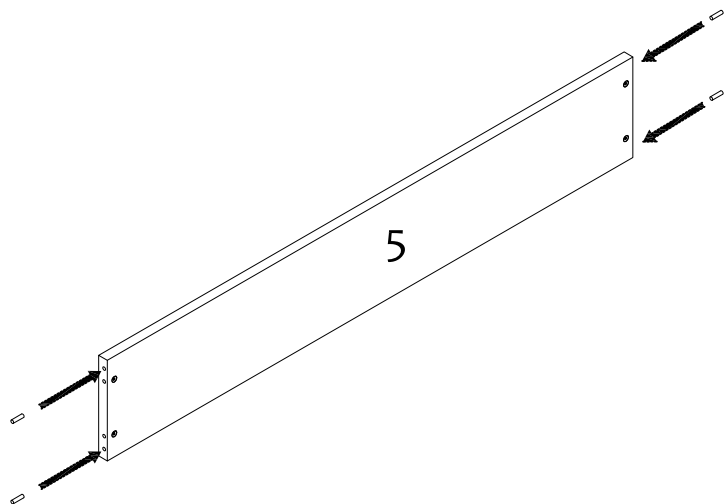
## Assembly Manual



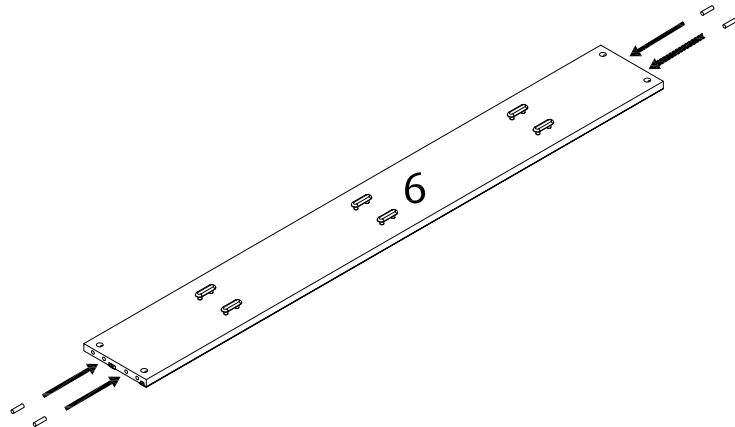
Step 1 Place the wooden dowels in the indicated holes and with the help of a small hammer push them all the way down (about half the dowel should disappear inside the hole).



Step 2

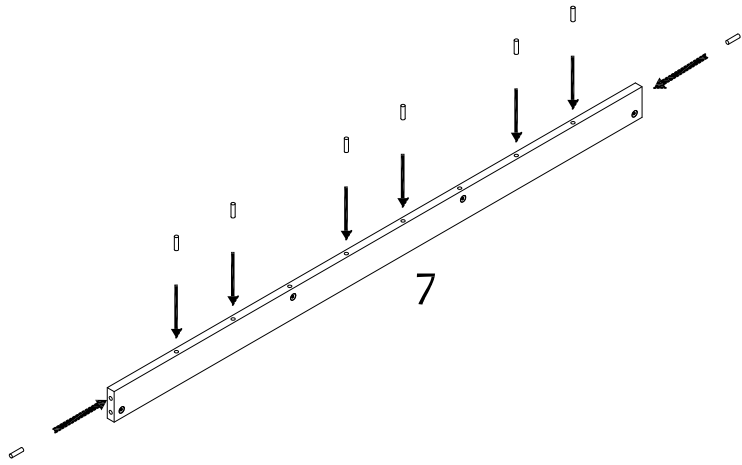


Step 3

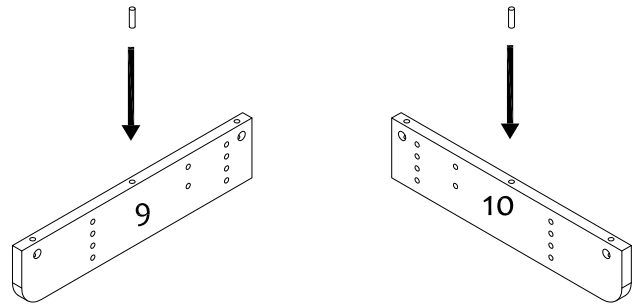


Step 4

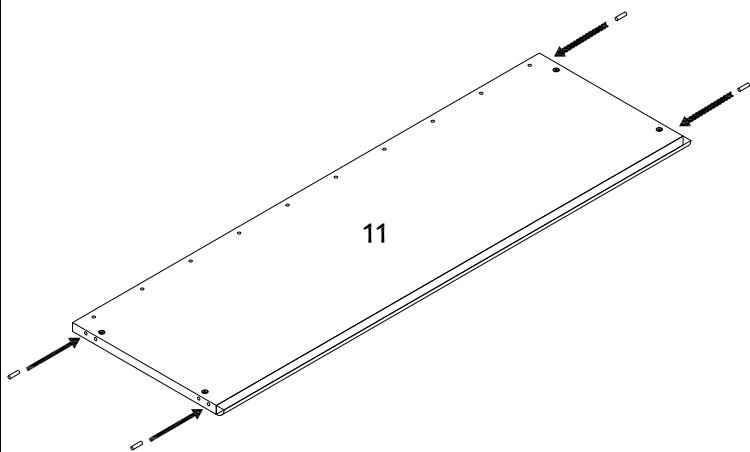
## Assembly Manual



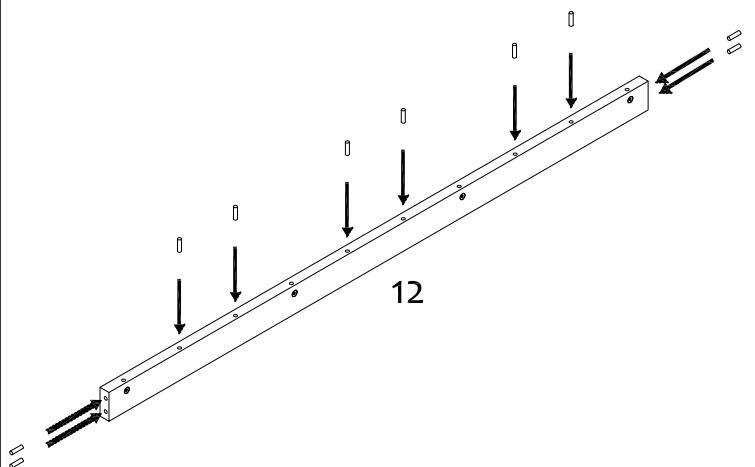
Step 5



Step 6

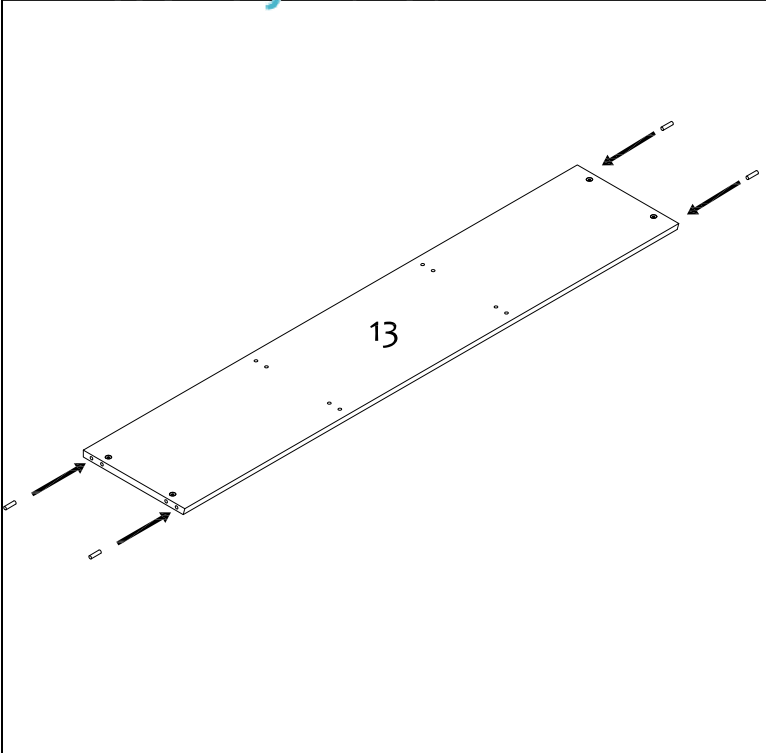


Step 7

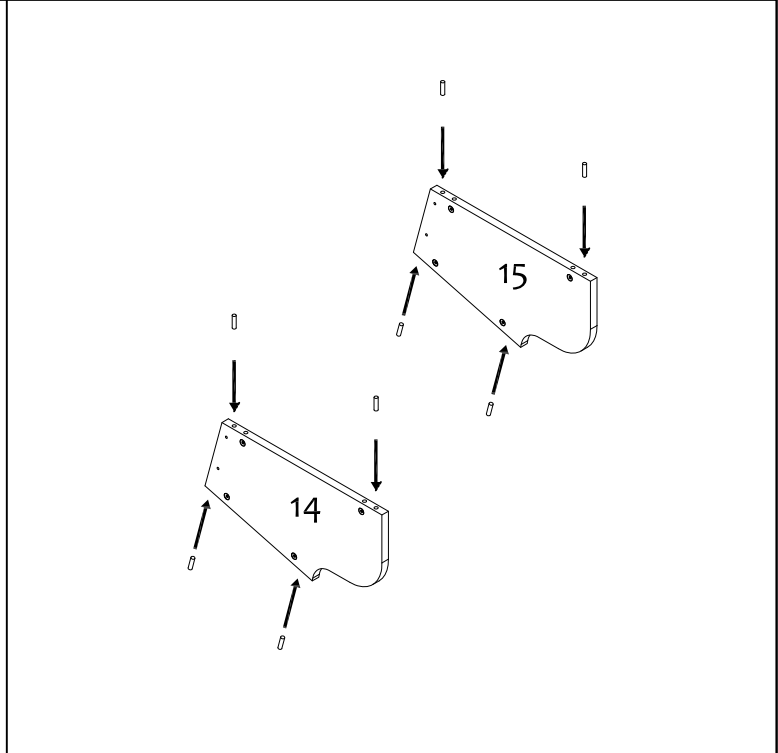


Step 8

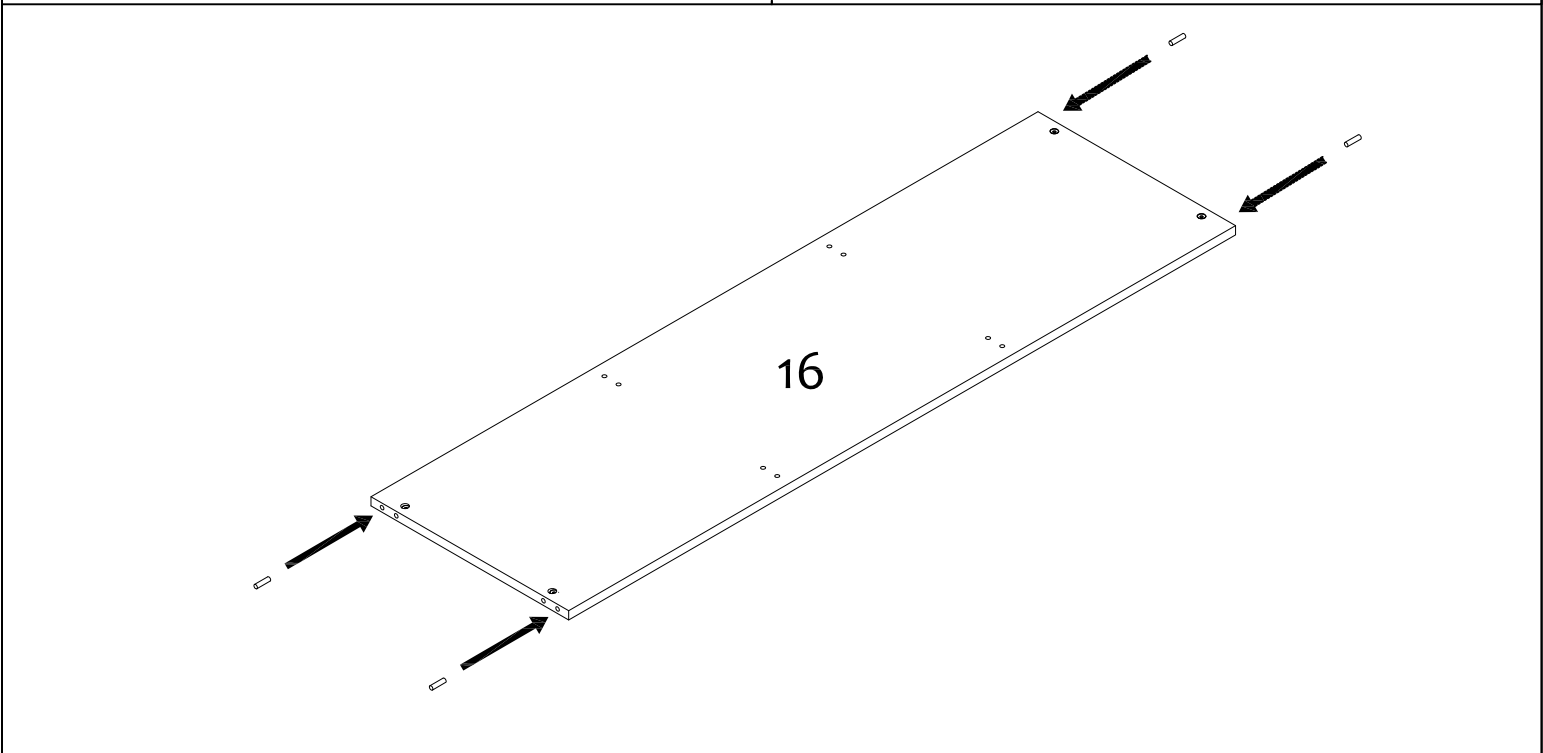
## Assembly Manual



Step 9

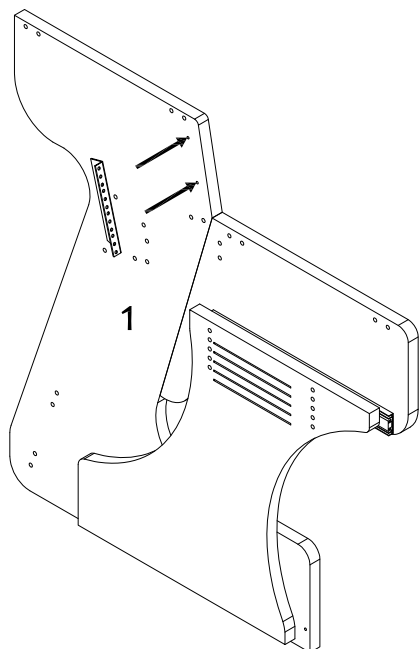


Step 10

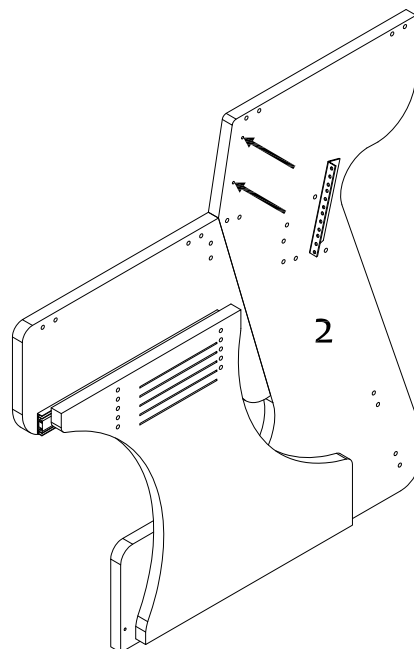


Step 11

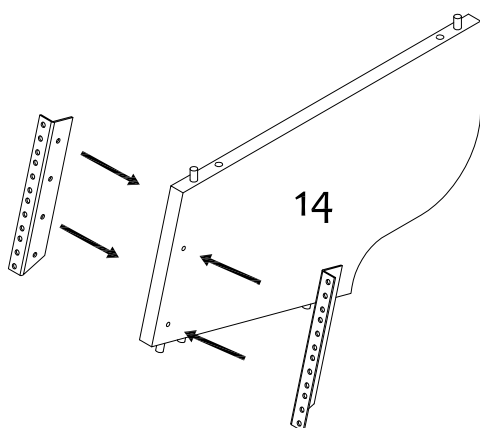
### Assembly Manual



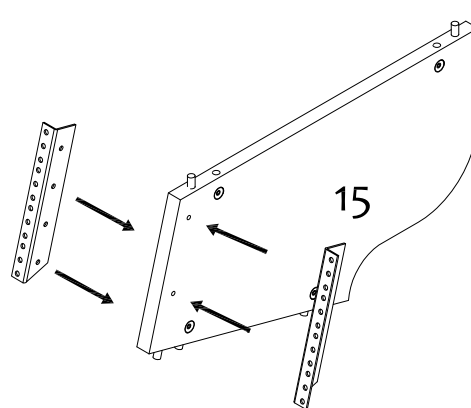
**Step 12** Fix the rack bars using the screw type B in the holes indicated by the arrows above



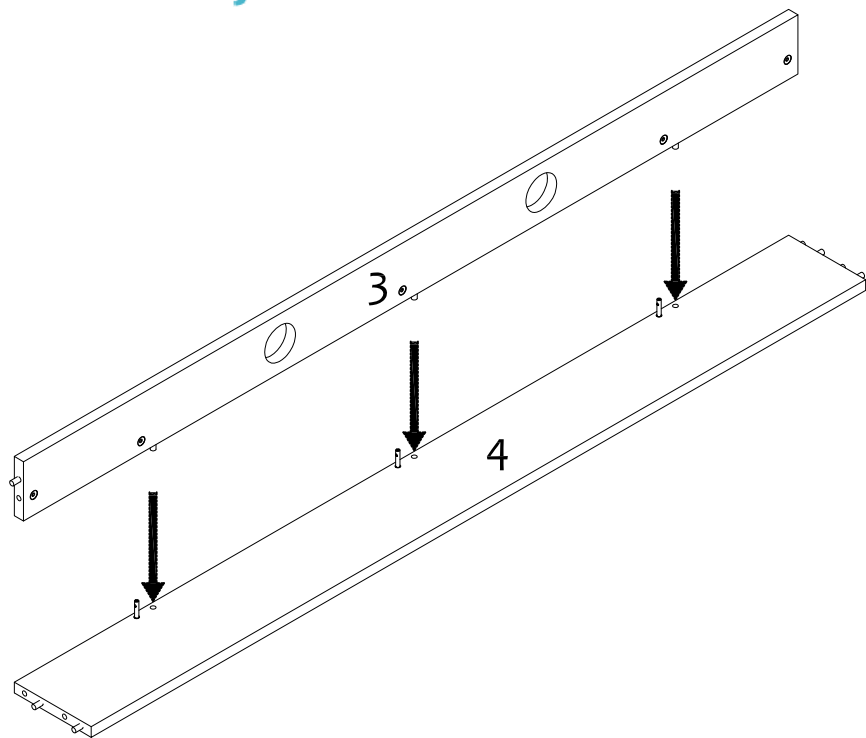
**Step 13** Repeat the same operation as in step 12 on side part n° 2.



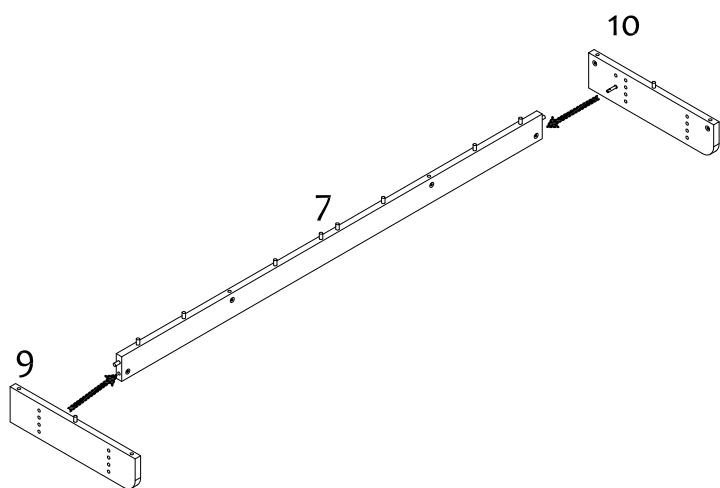
**Step 14** Repeat the same operation as in step 12 for the small divider panels n° 14 and n° 15, using B-type screws. Mind the shape of the rack bars and their orientation.



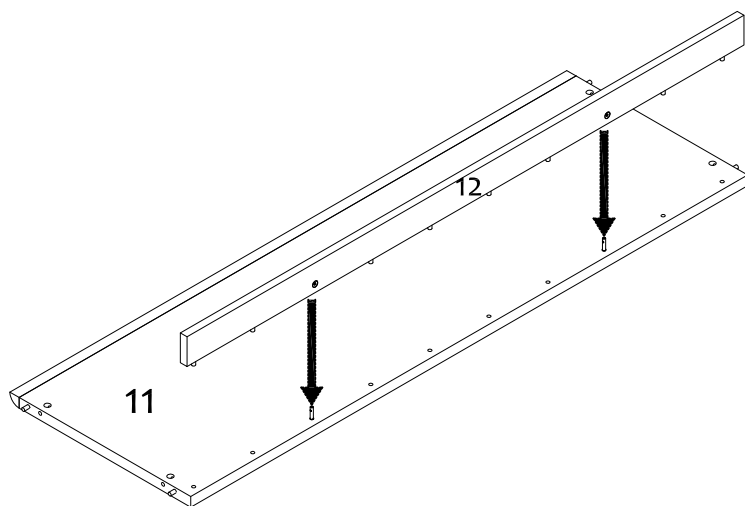
## Assembly Manual



**Step 15** Join panels n°3 and n°4. Attach, using the system bolts that you mount on the threaded inserts in panel n°3. Adjust so they are pointing such that holes can be seen when inserted into panel n°4 (no need to tighten them). Use the small slanted screws to tighten the connection between the two panels. Proceed likewise for the other connections.



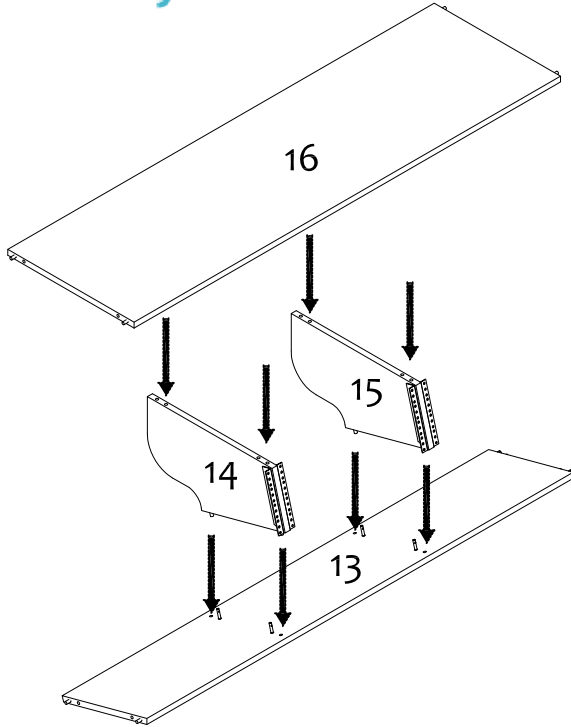
**Step 16**  
Join panels n° 9 and n° 10 to 7. Attach as step n°1.



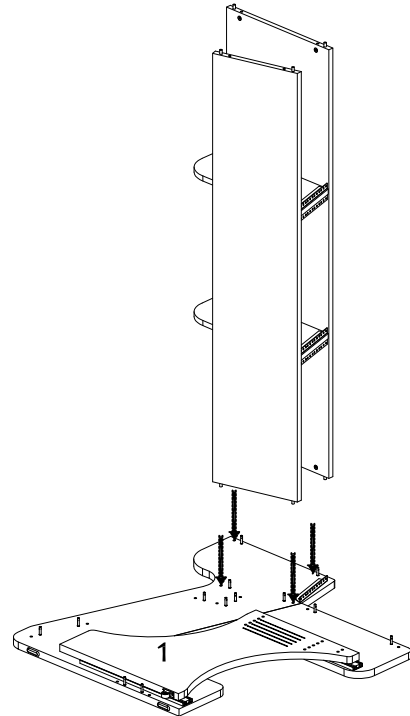
**Step 17**  
Join panels n° 12 to 11. Attach as step n°1.



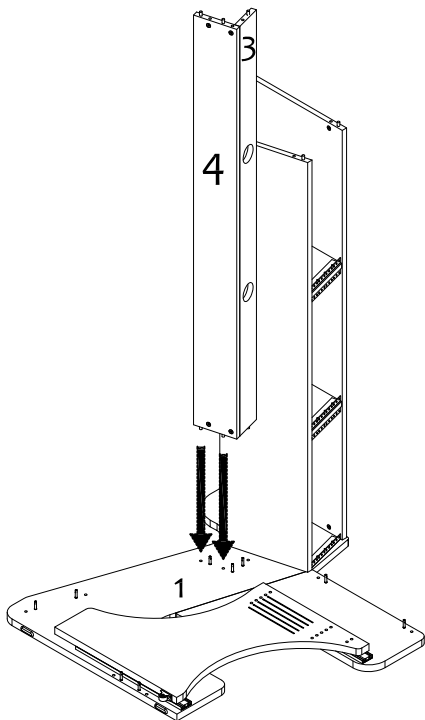
## Assembly Manual



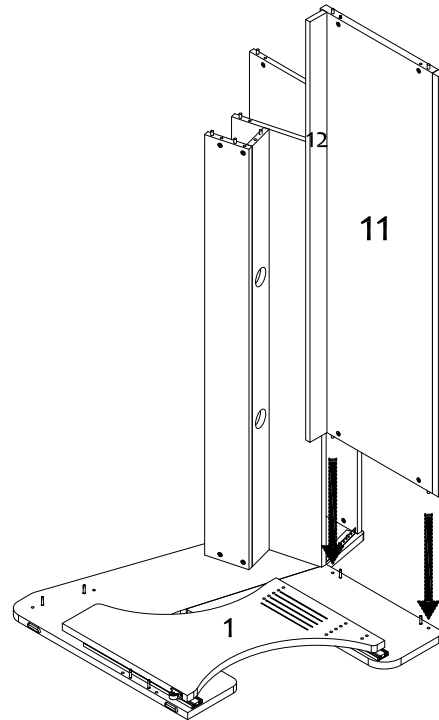
**Step 18**  
Join panels n° 14 and n° 15 to the base n° 13 using the same method.  
Finish this assembly by adding panel n° 16.



**Step 19** Place side part n°1 as shown using a carpet or soft cloth.  
Attach the assembly 13 through 16 coming down, being careful to align all bolts with their respective holes.

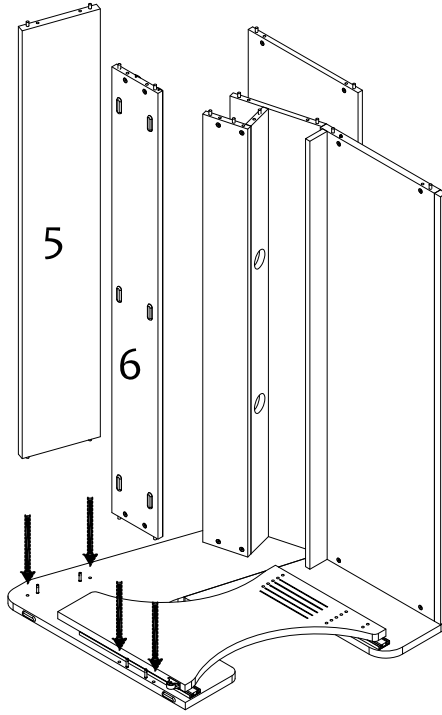


**Step 20**  
Add panels n°3 and n°4 attach as in step n°1.

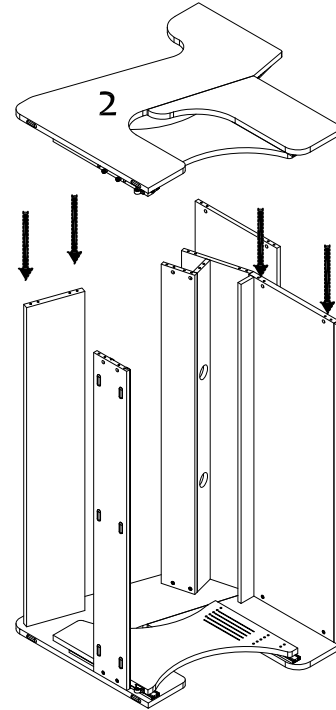


**Step 21**  
Add panels n°11 and n°12 attach as in step n°1.

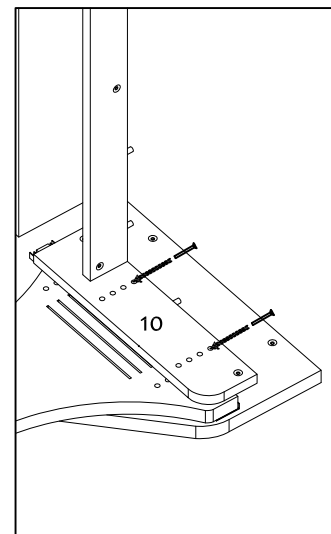
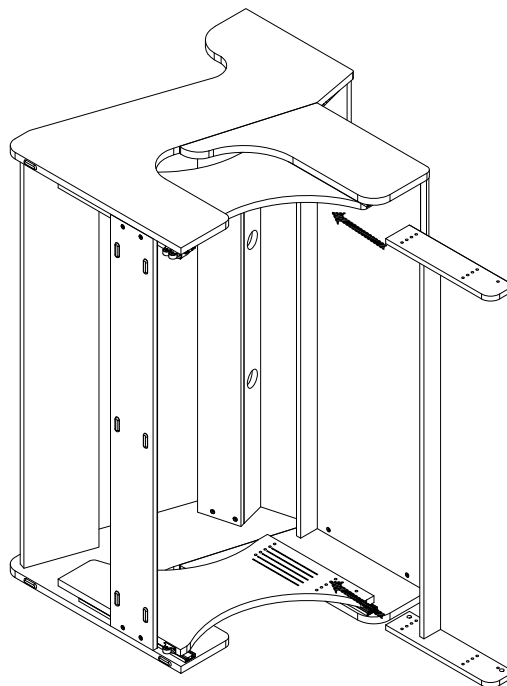
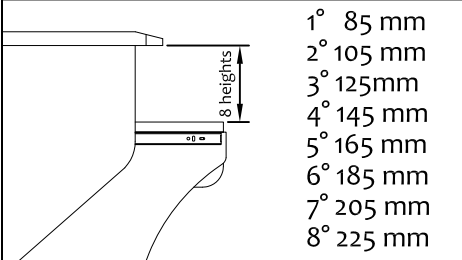
## Assembly Manual



**Step 22**  
Add panels n°5 and n°6 attach as in step n°1.

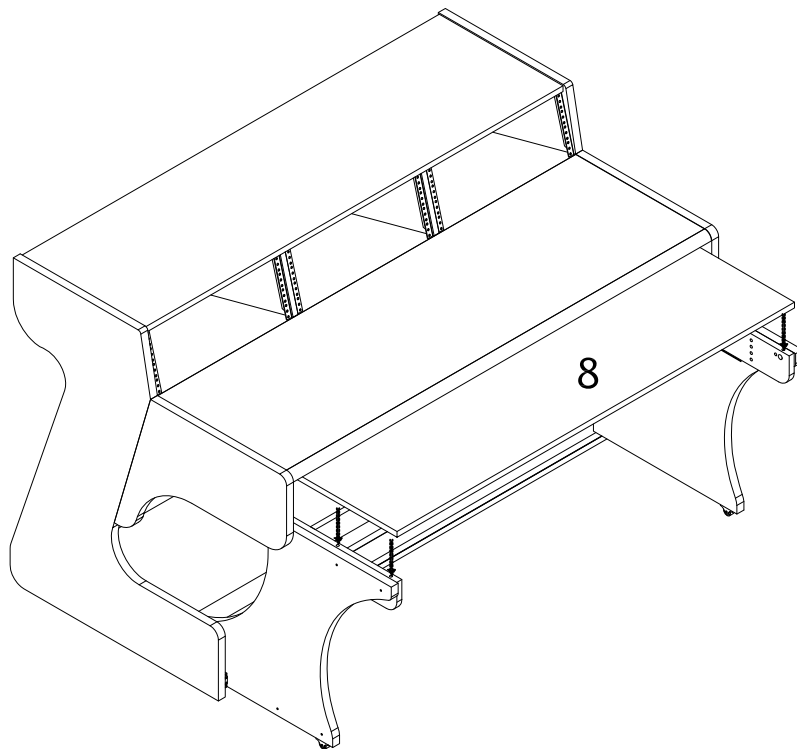


**Step 23** Add the system bolts to n°2 where you see threaded inserts. Watch the direction of the holes! No need to tighten. Add side part n°2 from the top, align and attach as step n°1.



**Step 24** Take the assembly from step 2 (parts 7, 9 + 10) and place it between the two sideparts (1 + 2). Choose the height required for your keyboard or other devices and attach with machine screws (A), careful to use the same holes on both sides.

## Assembly Manual



Step 25 After carefully lifting upright the assembly, place the drawer tray (n° 8) on top of parts 7, 9 + 10 and fix using kits as described earlier. Make sure the pull-out mechanism works smoothly.

### MATERIALS USED:

Melaminated chip board, solid wood.

### PACKING LIST

- N° 16 wooden parts;
- N° 04 M6x30 screws (A);
- N° 12 M4x16 screws (B);
- N° 48 M6x12 screws (R);
- N° 49 assembly kits;
- N° 57 wooden dowels;
- N° 01 hex wrench;

### INSTRUCTION FOR USE AND CLEANING

- clean with a soft cloth, slightly humid or specific products for wood or lacquer;
- avoid the use of abrasive cleaners.

**YOU NEED 2 PEOPLE TO ASSEMBLE THIS DESK!**