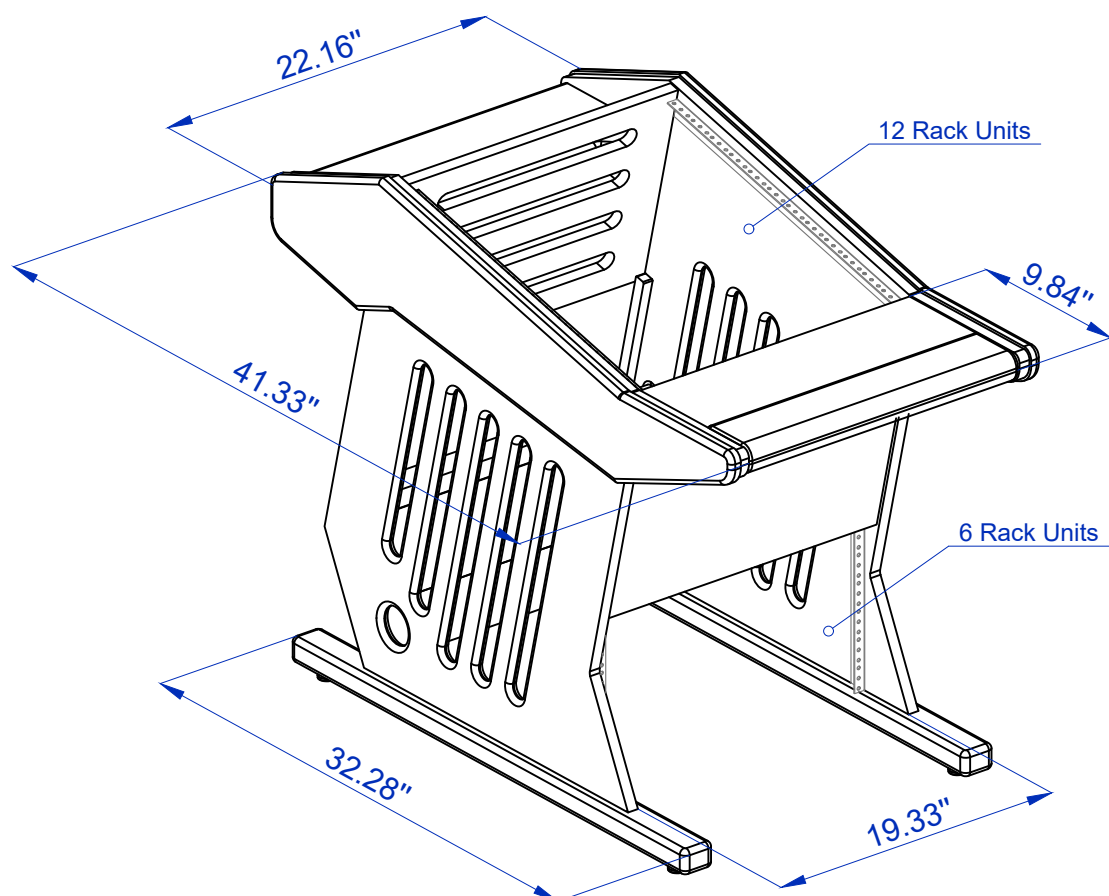
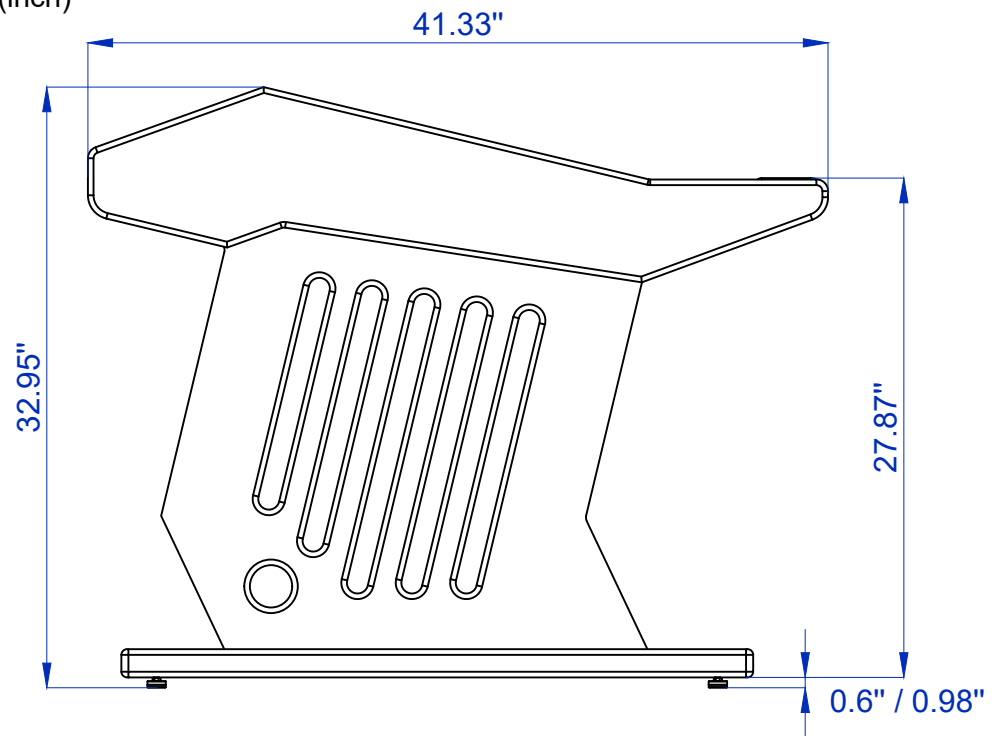


Technical Plan (inch) Iso View



Technical Plan (inch) Lateral View



Lateral View

