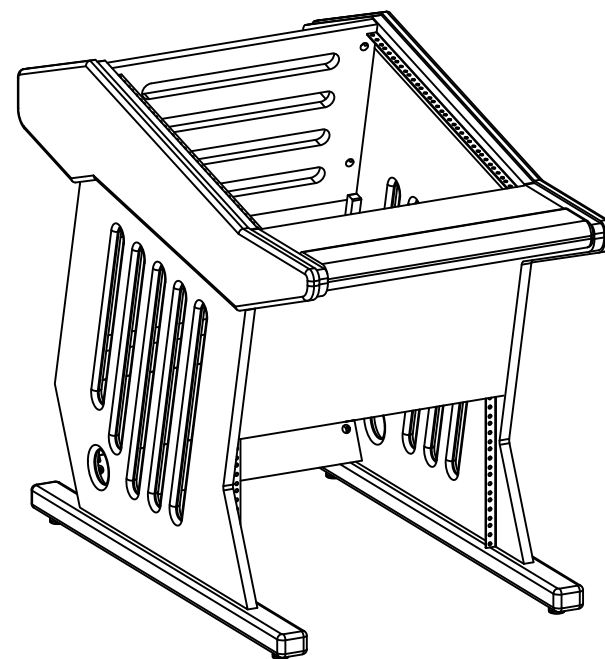


Zaor[®]

UPGRADE YOUR SPACE

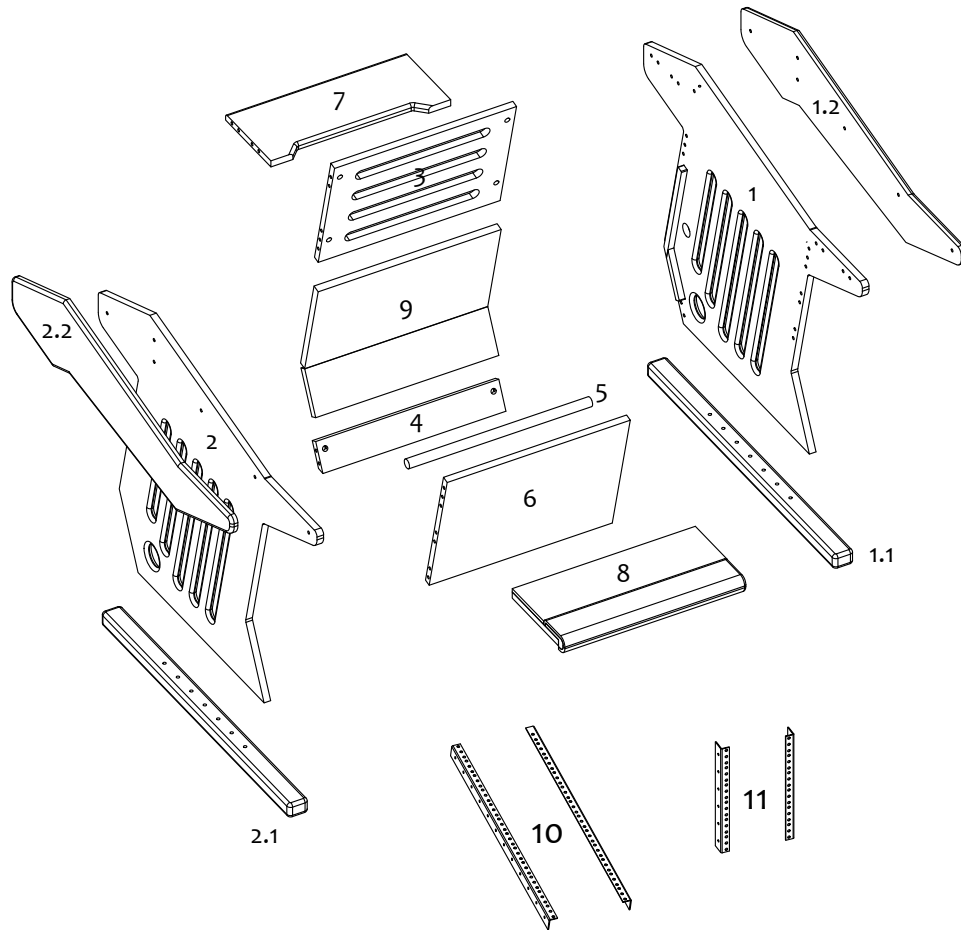


Maestro Solo

Assembly Manual

Assembly Manual

Unpack the parts carefully and set up so that you can see the part numbers clearly. In the big box you should find a small cardboard box with all the screws and bolts for assembly.



Here you have an exploded view of the whole desk and how it is supposed to come together. We use high quality furniture assembly components from renowned EU manufacturers. Please, never use force. These parts should come together easily, in case of doubt check the manual again or contact support.

Assembly Manual

Thanks for choosing a piece of furniture from Zaor. Before you can enjoy the use of it you need to build it. We tried to put all the explanations necessary for a safe build, when in doubt please get in touch or check out our Youtube channel where we are putting more and more assembly videos to help you with this important task. Enjoy!

General technique for putting together Zaor desks

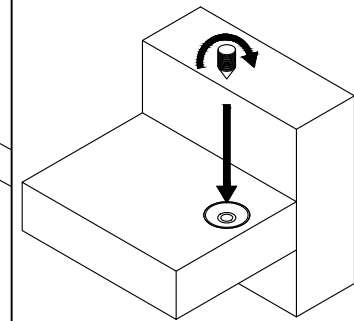
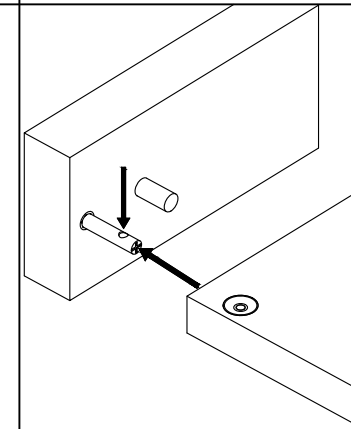
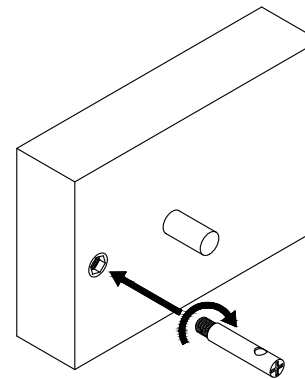
The assembly of your desk uses special kits. Here's how to use them

1) On the piece with the threaded insert(s), put in the system bolt(s) and tighten making sure to align the hole in the system bolt at a 90° angle.

Please note that the system bolt may have a little slack in this position, which is fine!

2) Ensure that the hole in the bolt aligns with the opening in the other piece to be able to put in the safety screw.

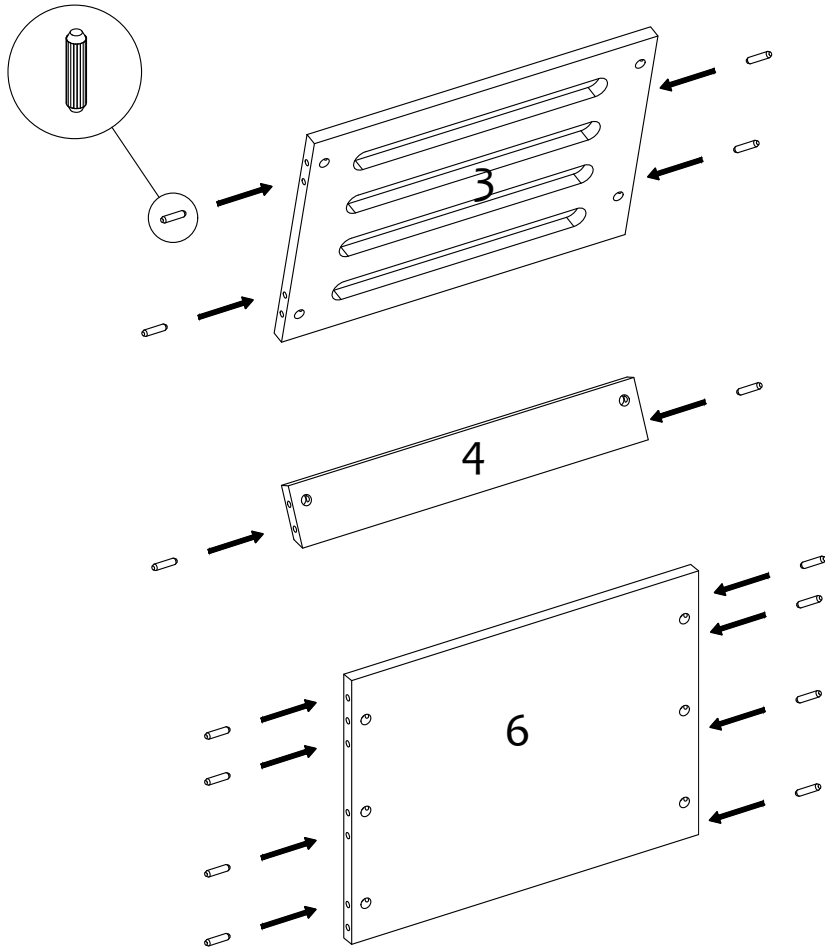
3) In each hole in the second piece, put in a cone shaped safety screw and tighten with a cross screw driver - without forcing. The 2 parts will now be safely attached.



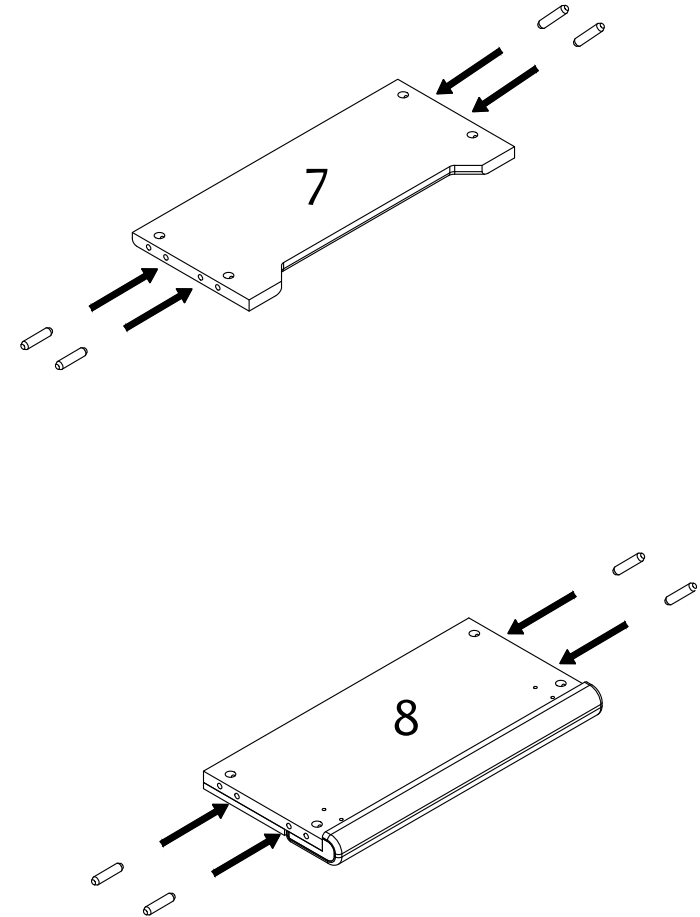
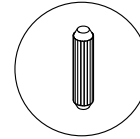
Assembly Manual

STEP 1

Push wooden dowels Type W in the appropriate holes

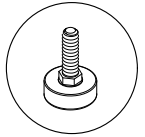


Assembly Manual



Assembly Manual

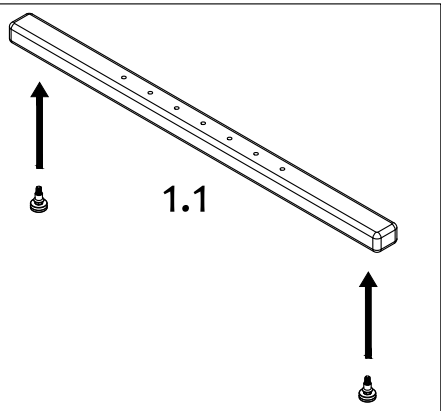
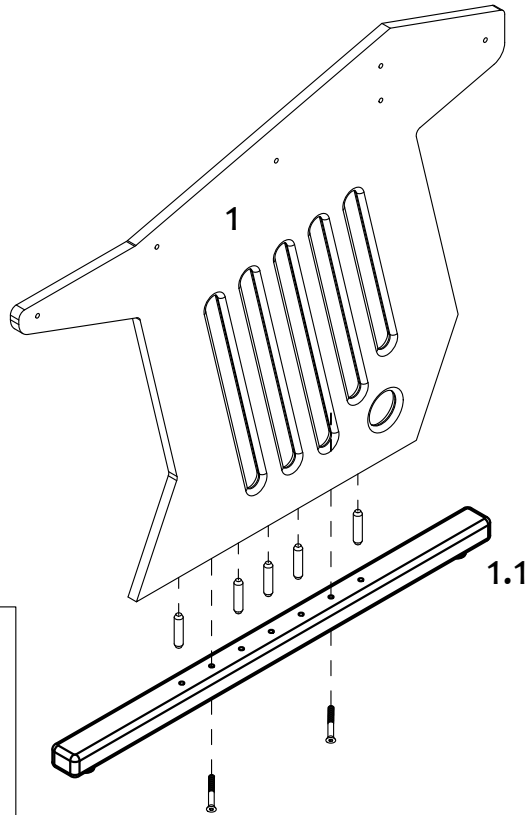
STEP 2



Type Ft

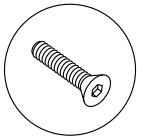


Type E

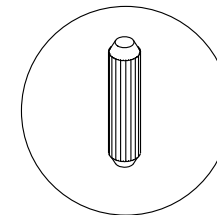
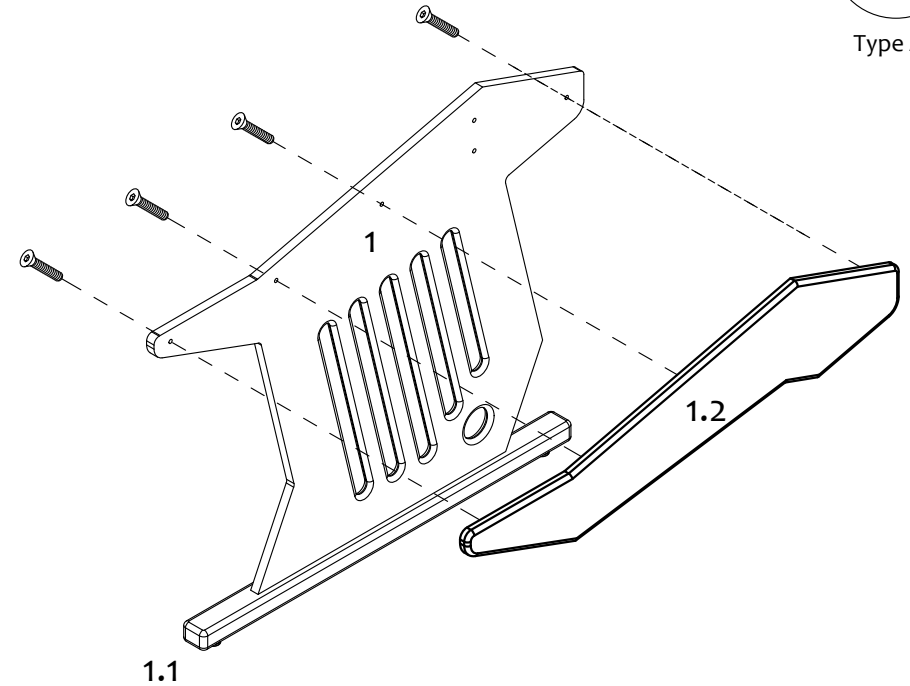


Assembly Manual

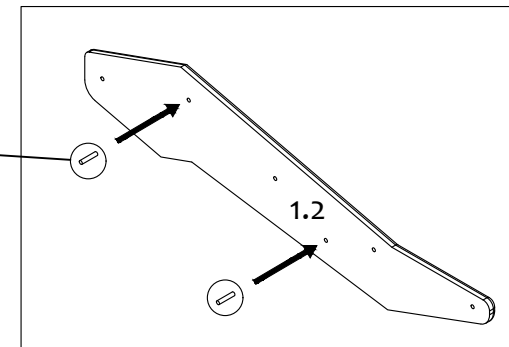
STEP 3



Type A

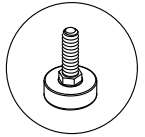


Type W20



Assembly Manual

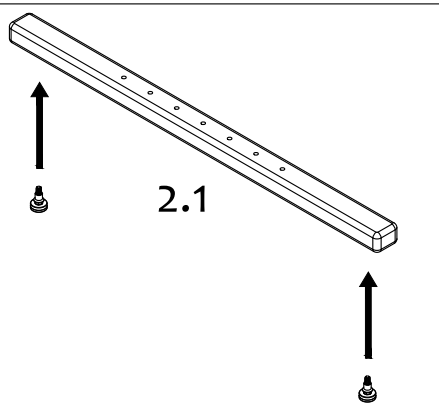
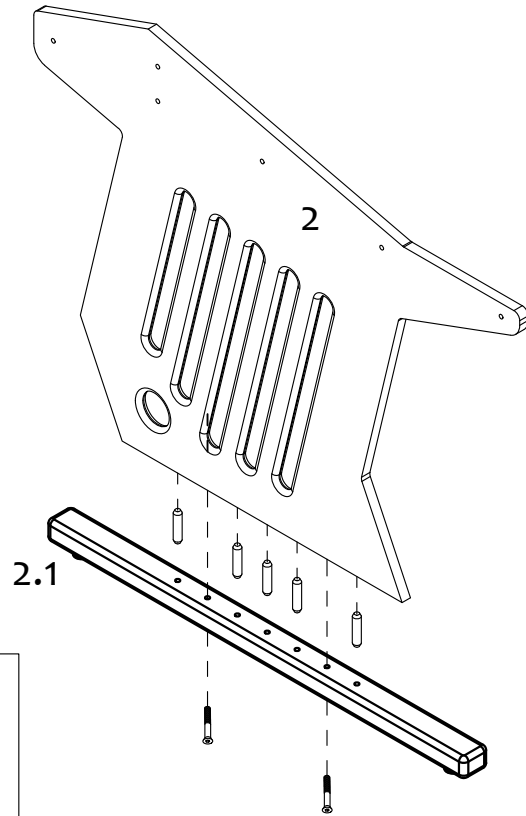
STEP 4



Type Ft

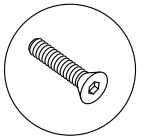


Type E

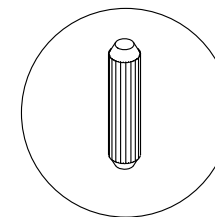
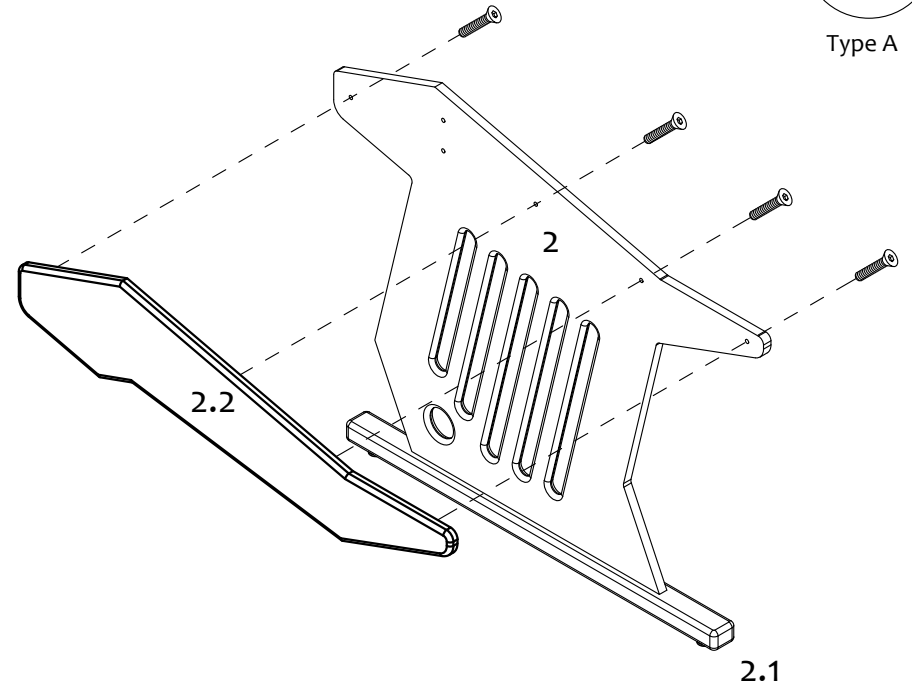


Assembly Manual

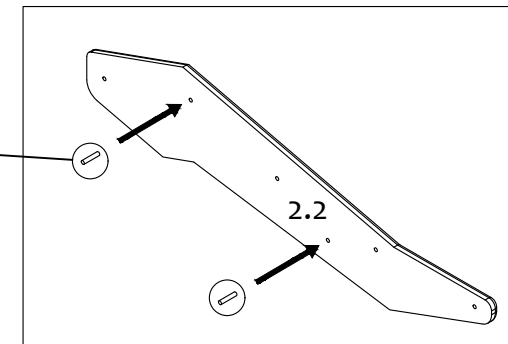
STEP 5



Type A

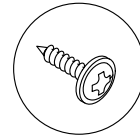
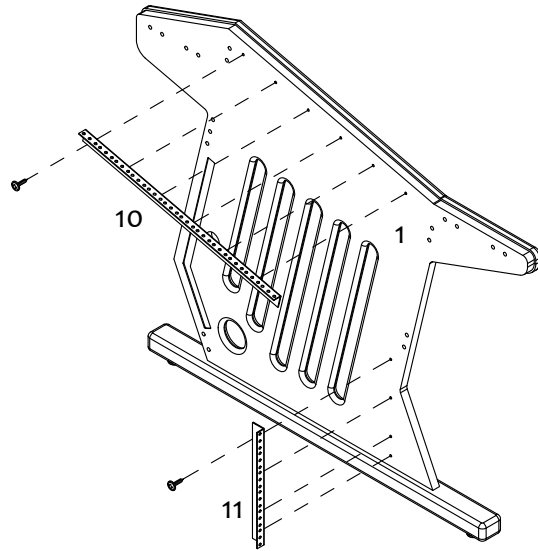


Type W20



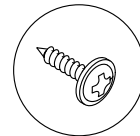
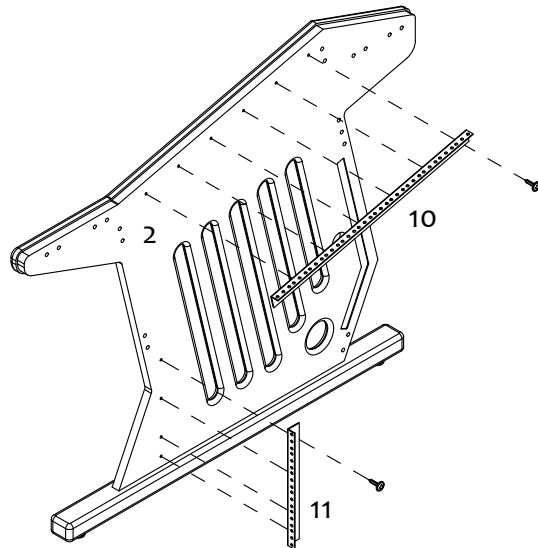
Assembly Manual

STEP 6



Type Rs

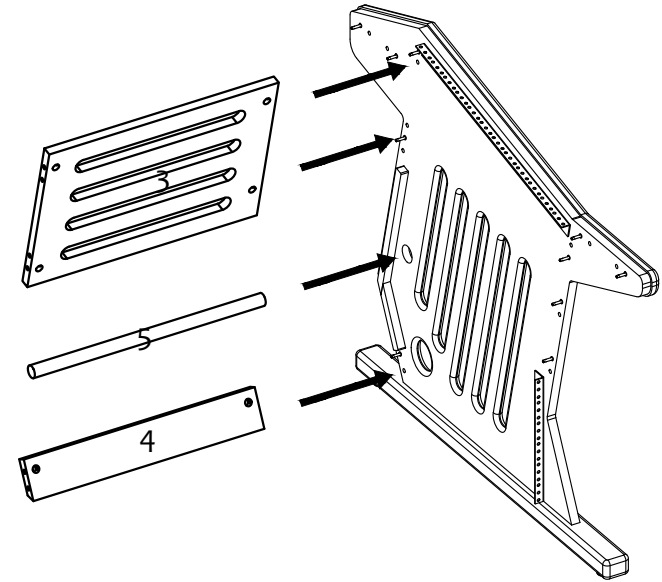
STEP 7



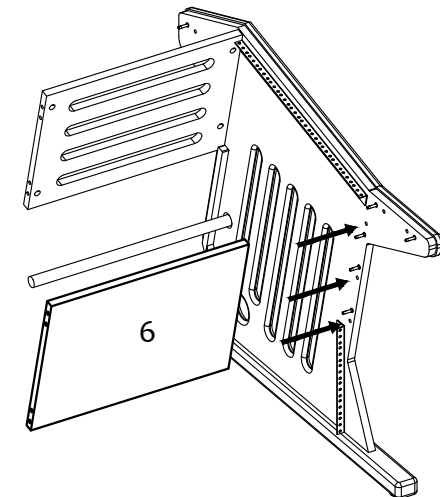
Type Rs

Assembly Manual

STEP 8

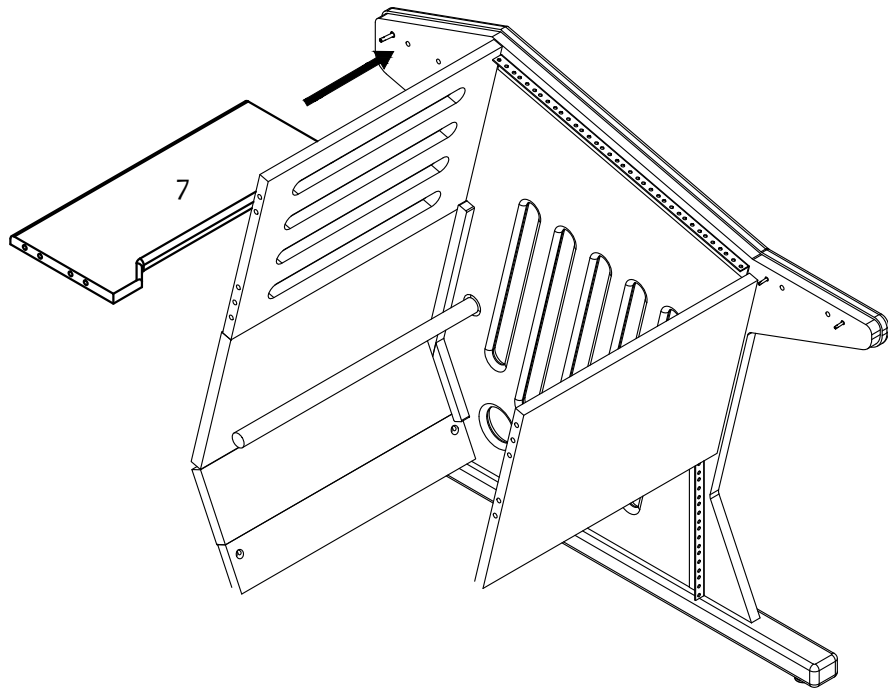


STEP 9



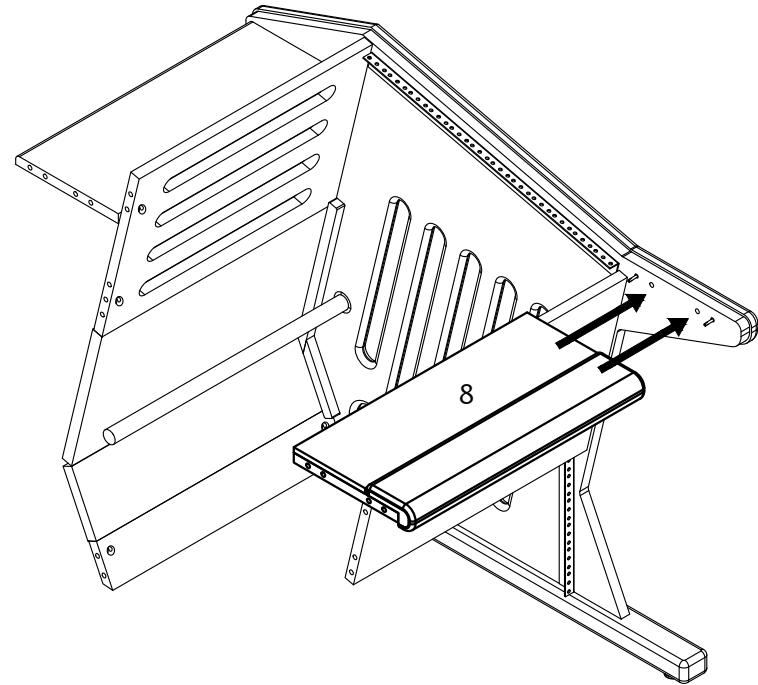
Assembly Manual

STEP 10



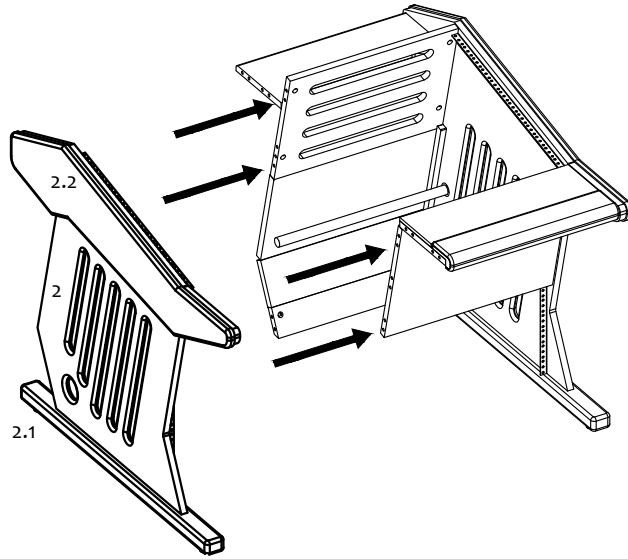
Assembly Manual

STEP 11

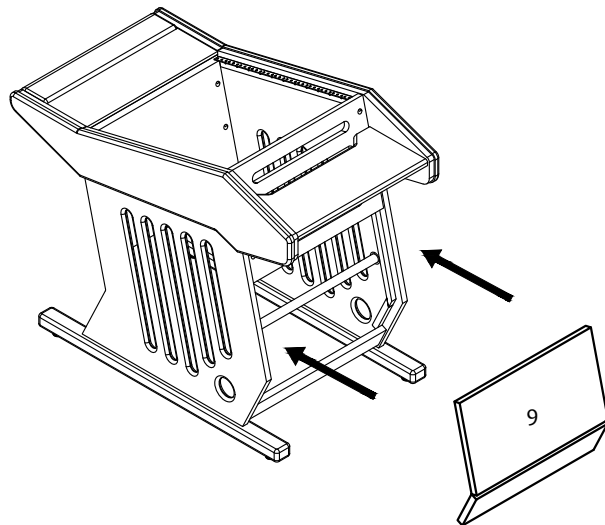


Assembly Manual

STEP 12



STEP 13

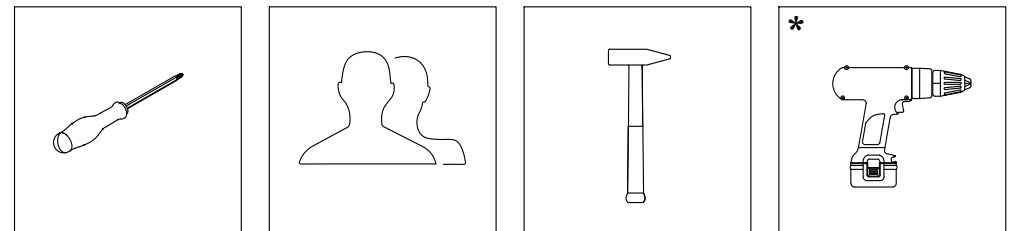


Assembly Manual

PACKING LIST:

x20 Assembly Kits	x32 Type W Wooden dowels 35 mm	x12 Type A m6x30 mm	x04 Type E m6x60 mm
x04 Type F Foot	x20 Type Rs 3.5x16 mm	x4 Type W₂₀ Wooden dowels 20 mm	x1 Type H Hex wrench
x72 Type Ru Rack units screws	INSTRUCTION FOR USE AND CLEANING : - clean with a soft cloth, slightly humid or specific products for wood or lacquer; - avoid the use of abrasive cleaners.		

TOOLS:



*Suggested