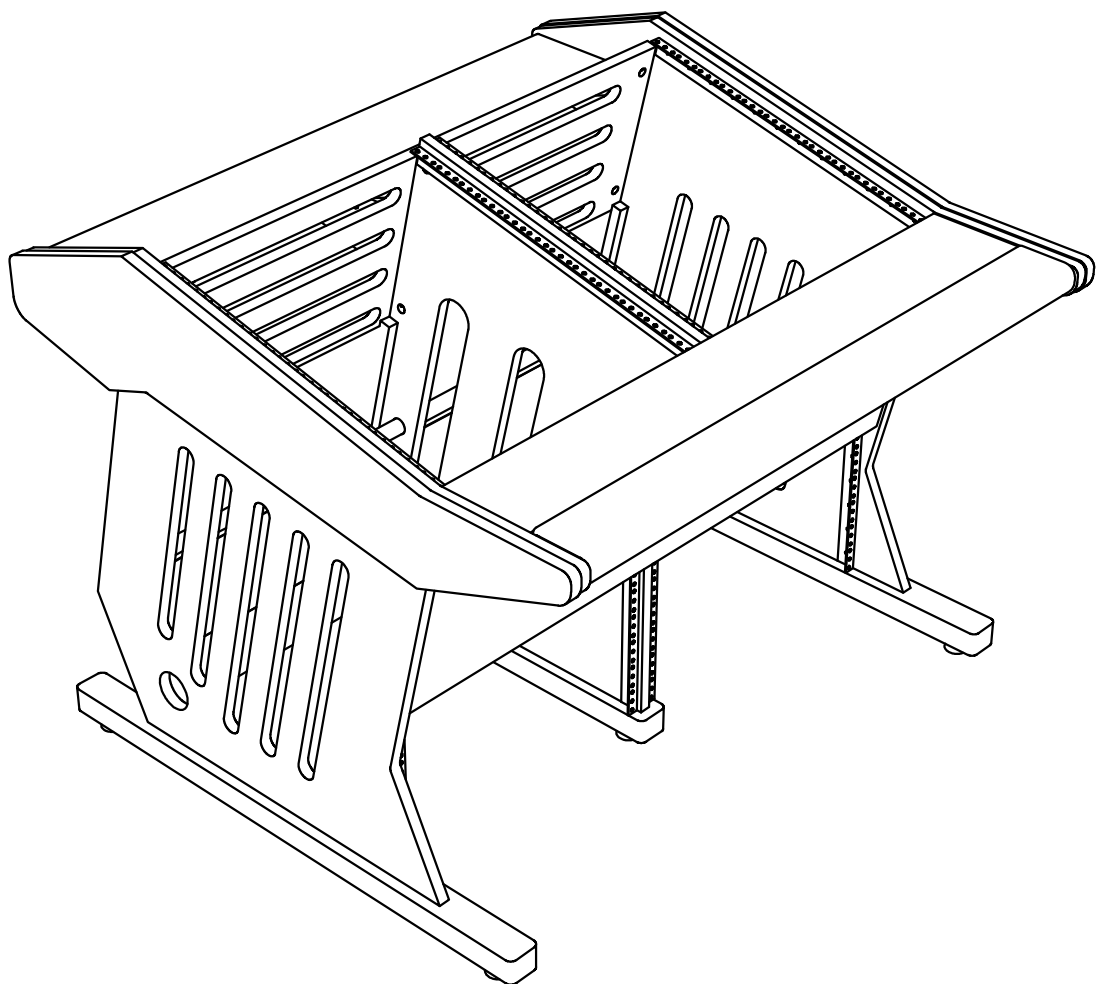


Zaor[®]

BUDGET CUSTOM DESIGN



Maestro 24
Assembly Manual

Technical Plan

Thank you for choosing a piece of Zaor studio furniture,
which will hopefully make your life easier, more ergonomic and improve the looks of your workspace.

Before you can enjoy the comfort of your new acquisition you need to assemble it.

We have tried to give you as much detail as needed and as little as possible.

Should you run into any difficulty with this assembly you can get in touch with us via sales@zaorstudiofurniture.com to set up a Skype session or phone call.

Here is a general instruction on how to use the furniture assembly kits:

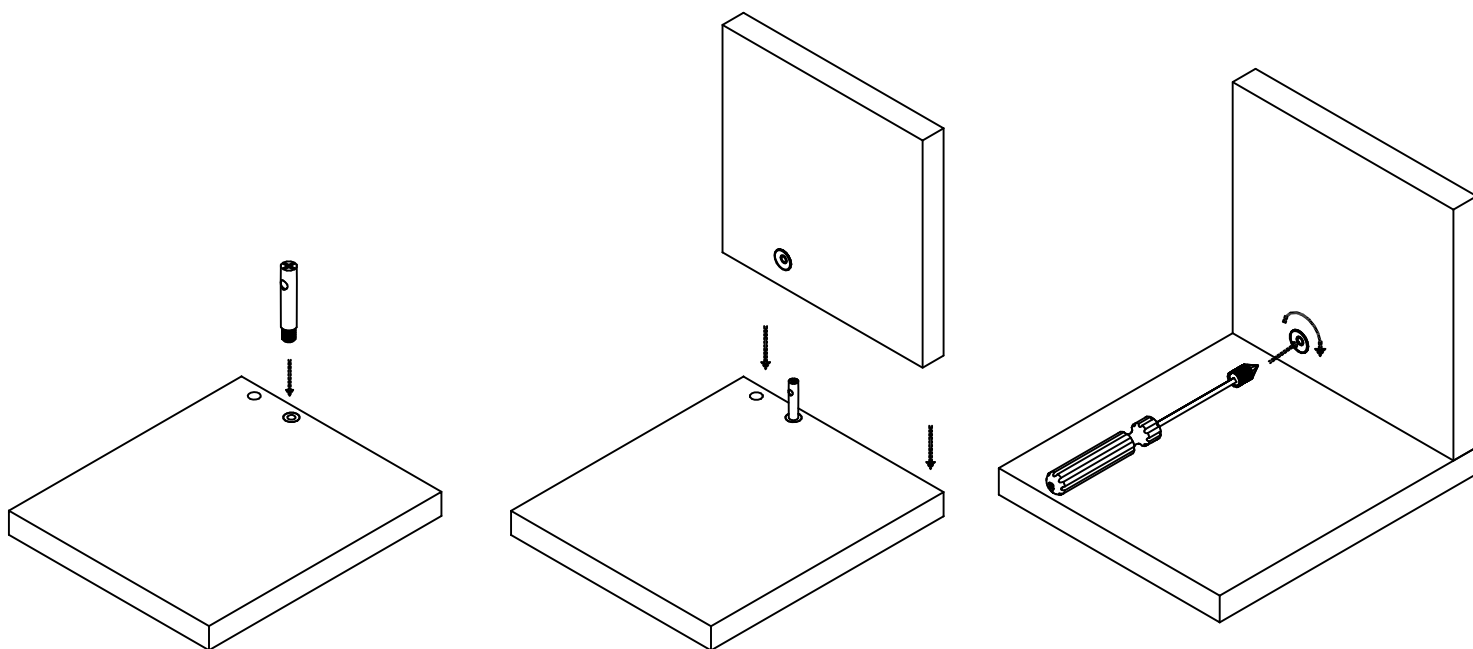
- 1) Insert and screw in the system bolt(s) into the socket(s) already present on the part(s) making sure the hole is at 90° from the edge
- 2) Assemble the connecting parts, inserting the bolts into the smaller holes in the connecting part, the bolt tip fitting into the side hole of the excenter until the hole in the bolt and the center hole of the excenter align
- 3) insert the locking screw into the excenter, and tighten with a cross screw driver all the way without using force!



System bolt with hole



Locking screws



WE RECOMMEND ASSEMBLING WITH 2 PEOPLE

INSTRUCTIONS FOR CLEANING

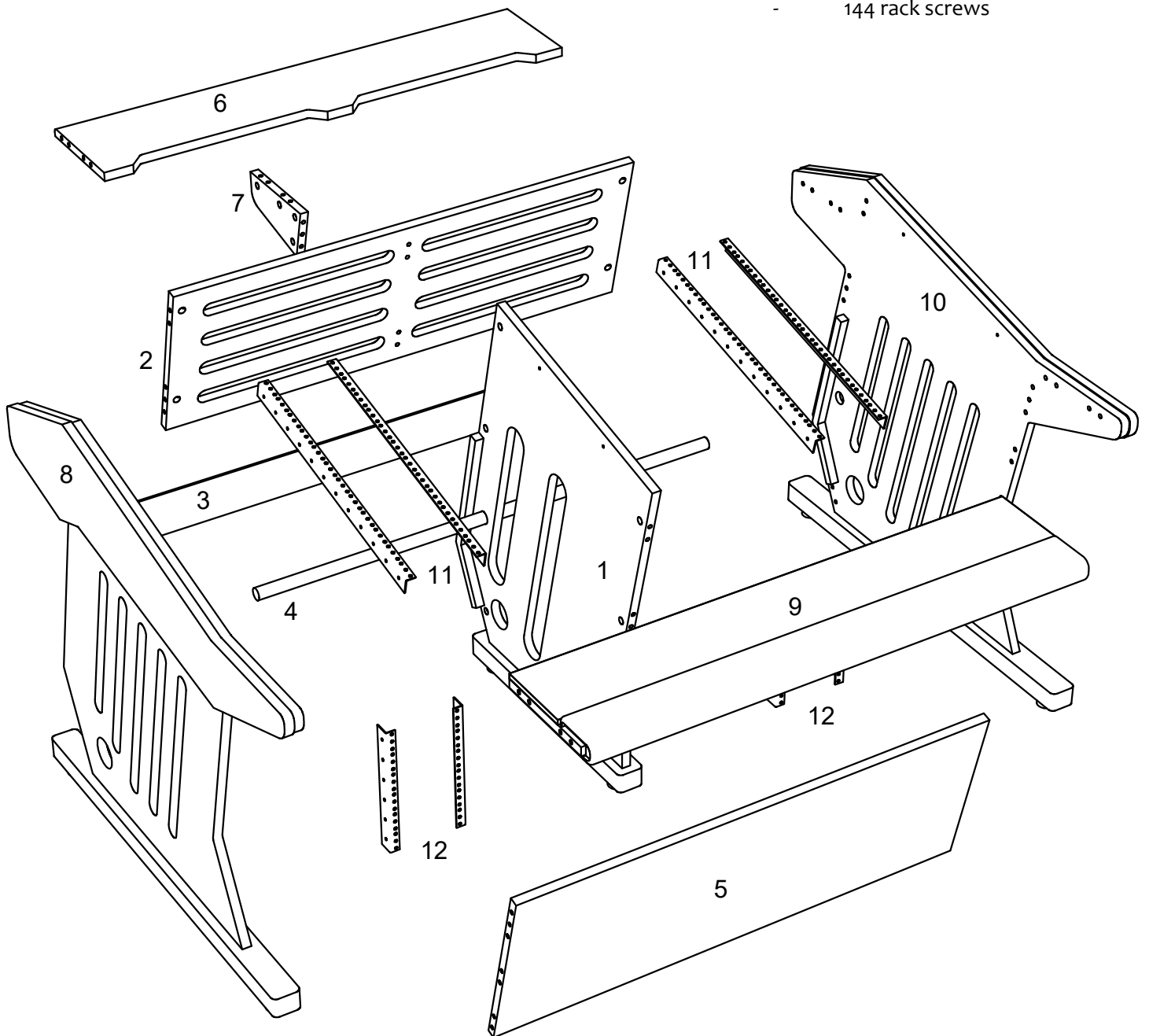
- use a humid cloth or special wood cleaner
- avoid using abrasive cleaners

MATERIALS USED

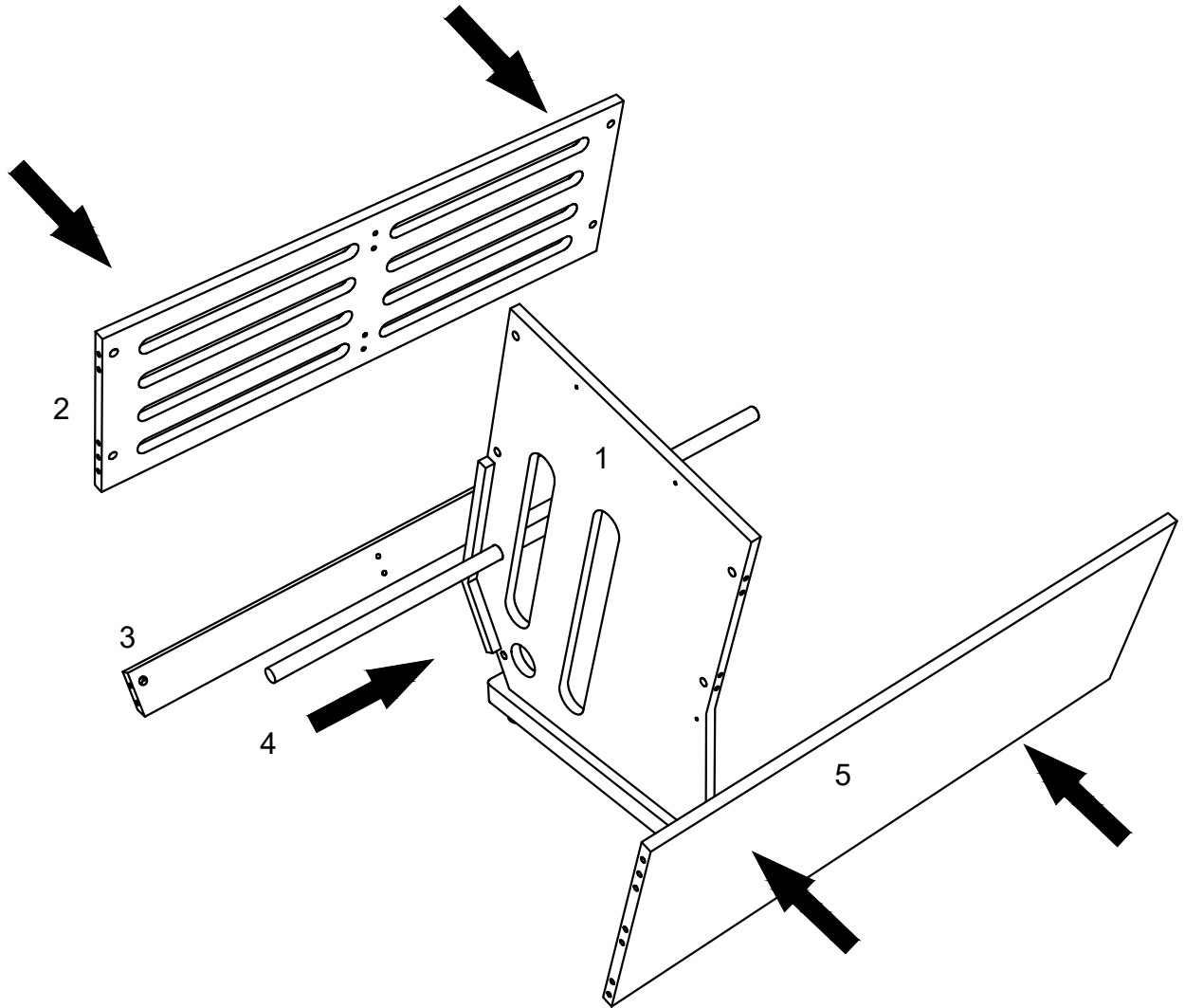
-structure: MDF, Ash wood

PACKING LIST

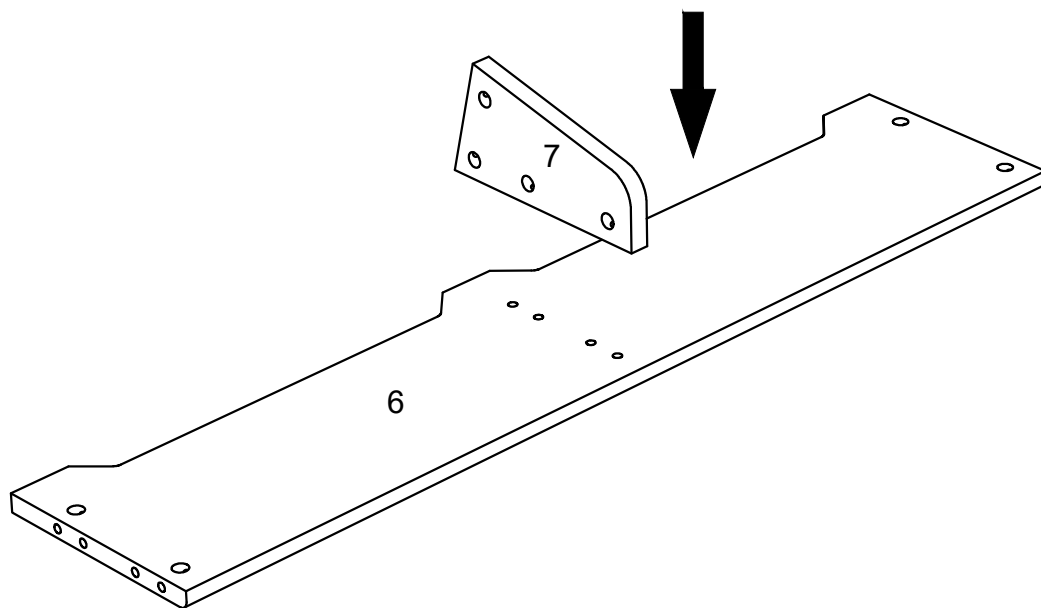
- 10 x parts
- 29 x assembly kits
- 8 x cable straps
- 38 rail screws
- 144 rack screws



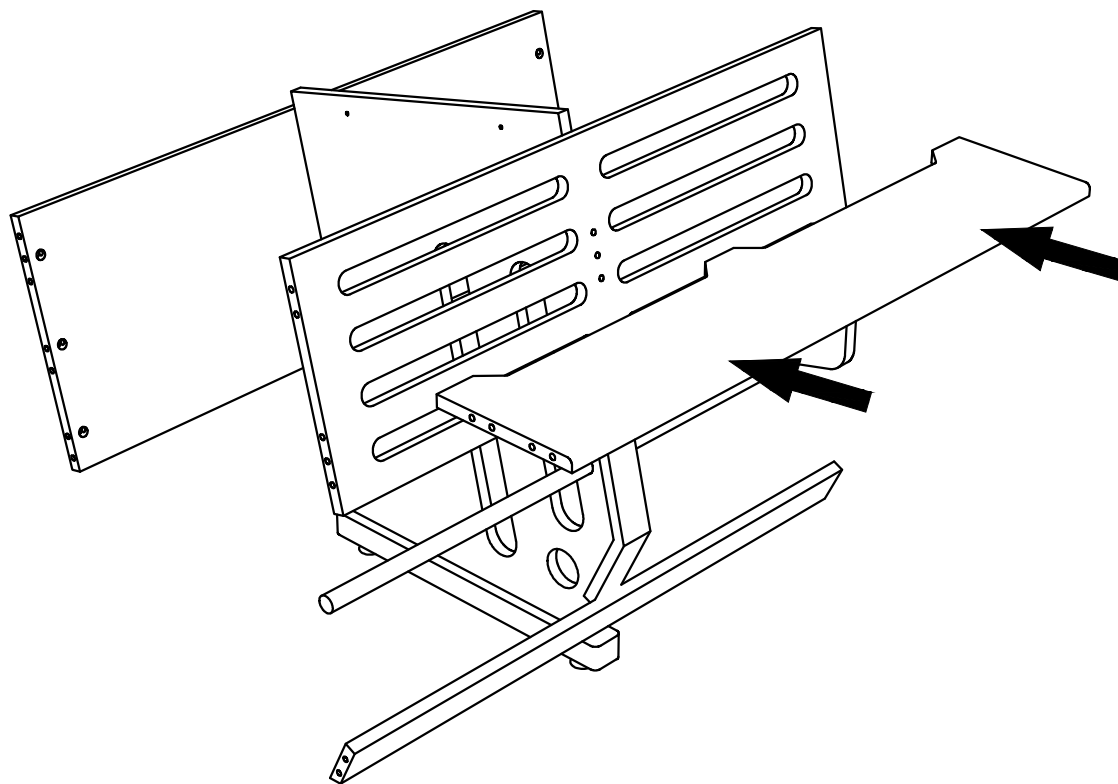
Step 1



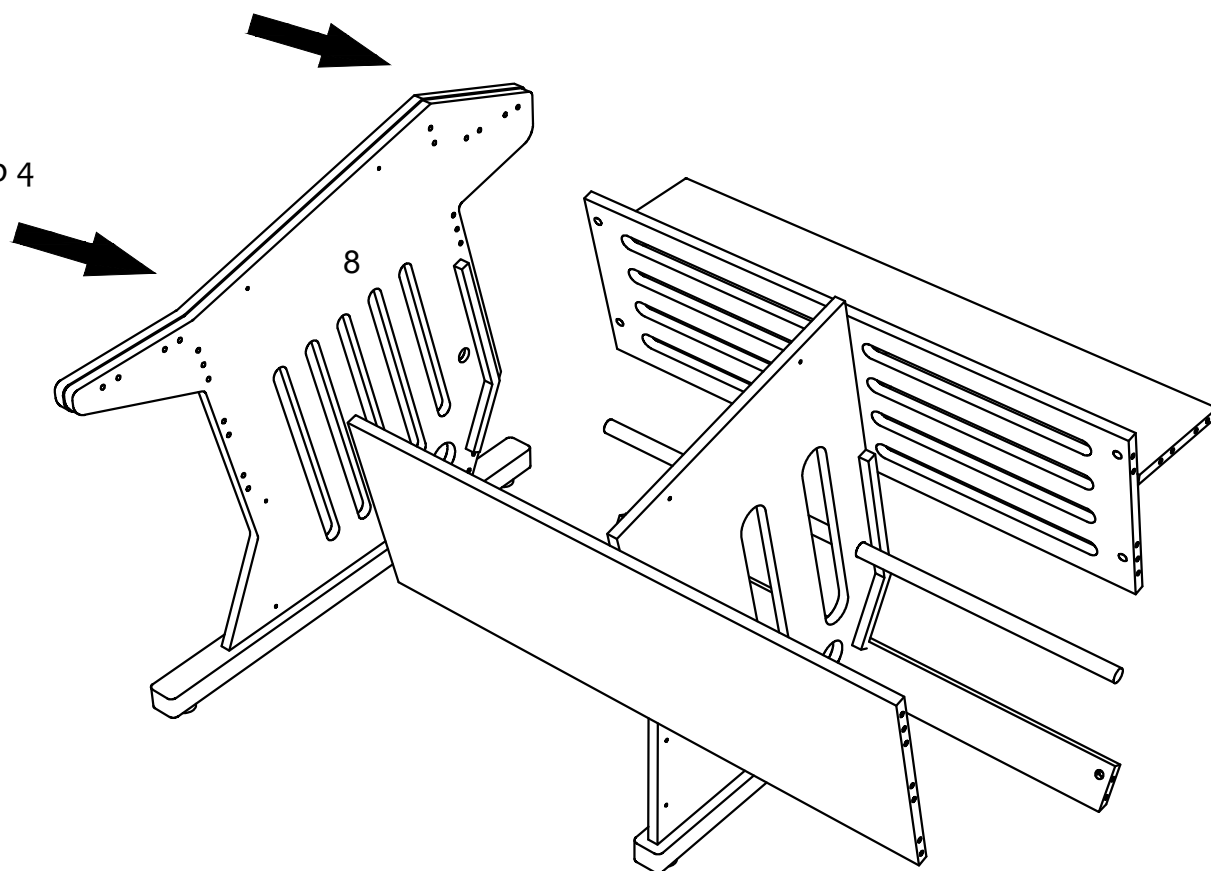
Step 2



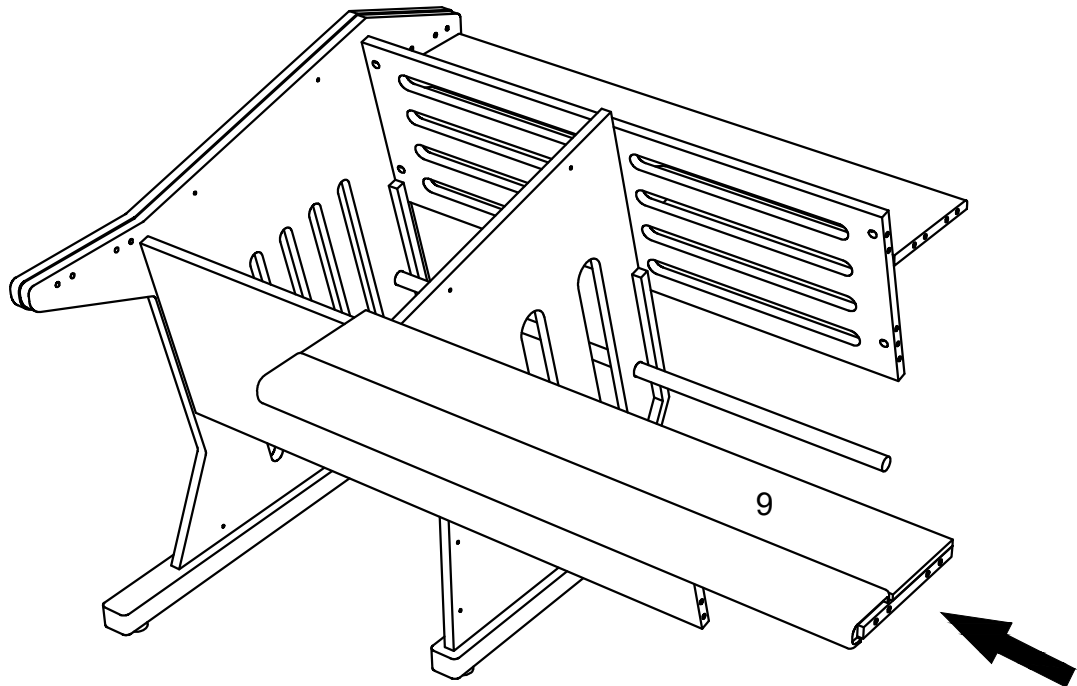
Step 3



Step 4



Step 5



Step 6

