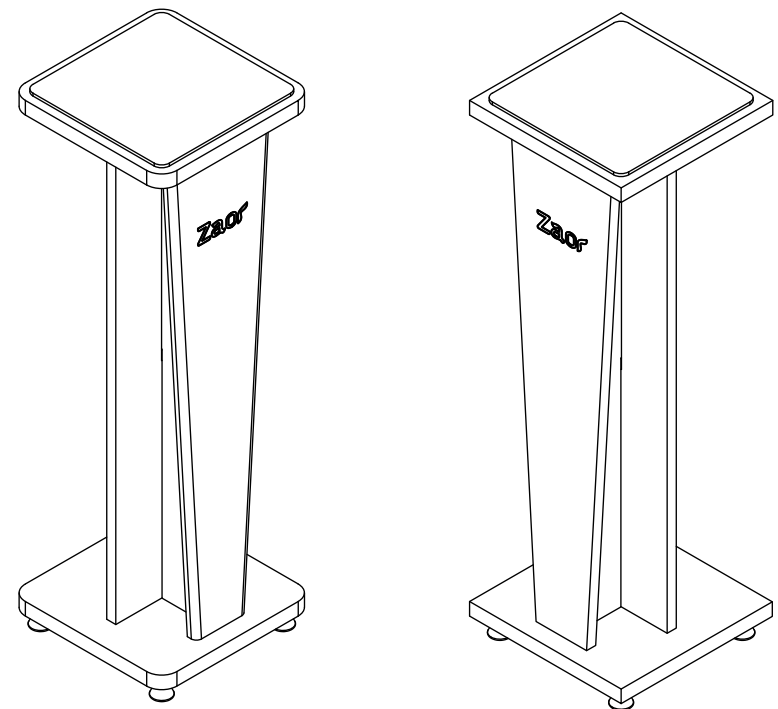


Zaor[®]

UPGRADE YOUR SPACE

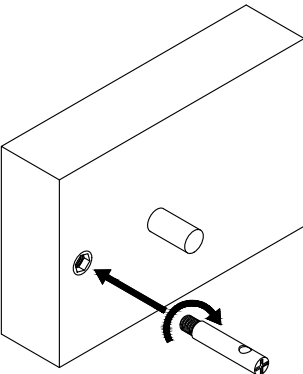
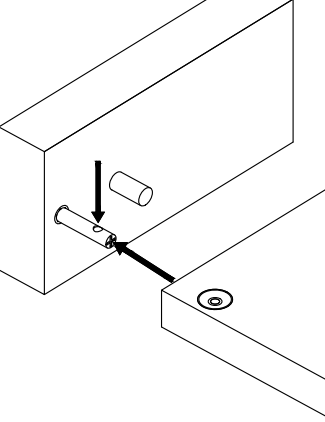
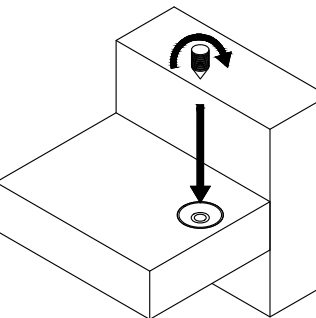


Croce / V-Stand Assembly Manual

Assembly Manual

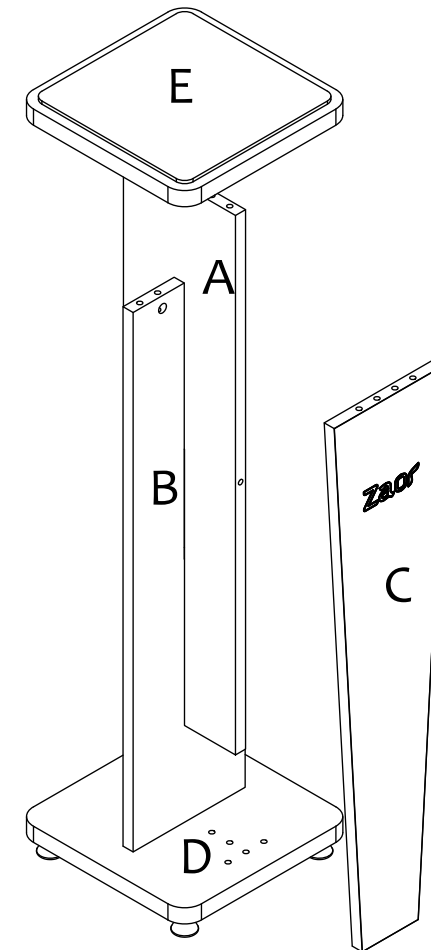
Thanks for choosing a piece of furniture from Zaor. Before you can enjoy the use of it you need to build it. We tried to put all the explanations necessary for a safe build, when in doubt please get in touch or check out our Youtube channel where we are putting more and more assembly videos to help you with this important task. Enjoy!

General technique for putting together Zaor desks

<p>The assembly of your desk uses special kits. Here's how to use them</p> <ol style="list-style-type: none"> 1) On the piece with the threaded insert(s), put in the system bolt(s) and tighten making sure to align the hole in the system bolt at a 90° angle. 	<p>Please note that the system bolt may have a little slack in this position, which is fine!</p> <ol style="list-style-type: none"> 2) Ensure that the hole in the bolt aligns with the opening in the other piece to be able to put in the safety screw. 	<ol style="list-style-type: none"> 3) In each hole in the second piece, put in a cone shaped safety screw and tighten with a cross screw driver - without forcing. The 2 parts will now be safely attached.
		

Assembly Manual

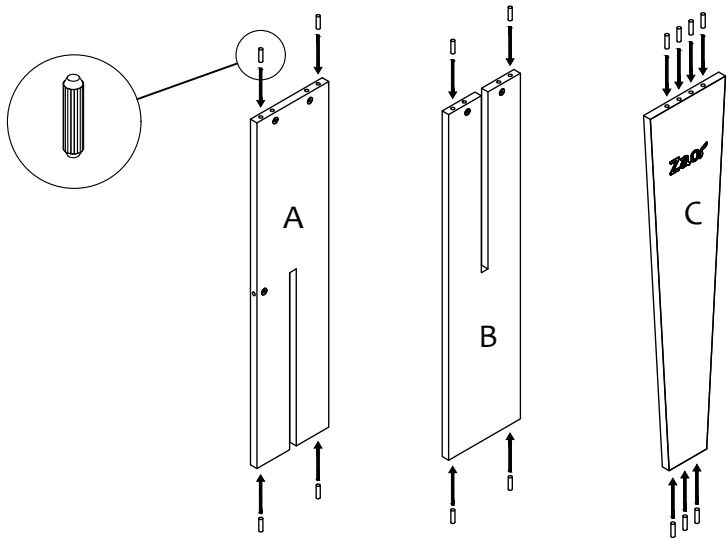
Unpack the parts carefully and set up so that you can see the part numbers clearly. In the big box you should find a small cardboard box with all the screws and bolts for assembly.



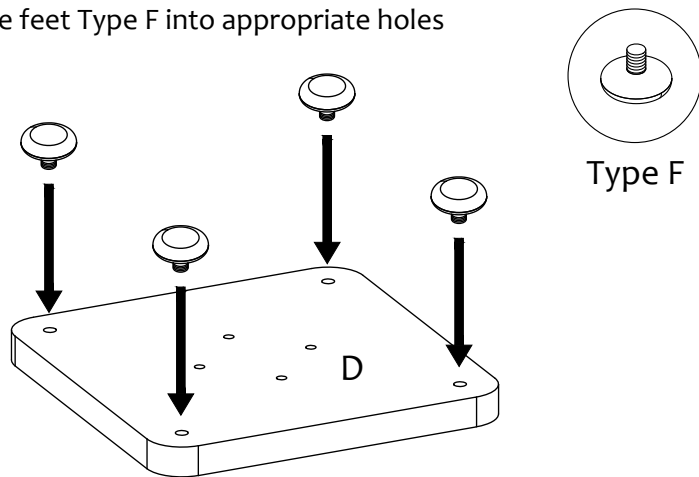
Here you have an exploded view of the whole stand and how it is supposed to come together. We use high quality furniture assembly components from renowned EU manufacturers. Please, never use force. These parts should come together easily, in case of doubt check the manual again or contact support.

Assembly Manual

STEP 1 Push wooden dowels Type W in the appropriate holes

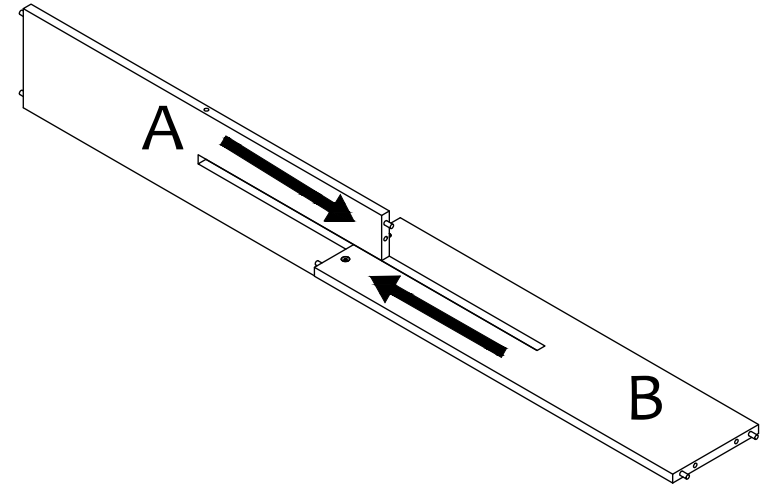


STEP 2 Screw the feet Type F into appropriate holes

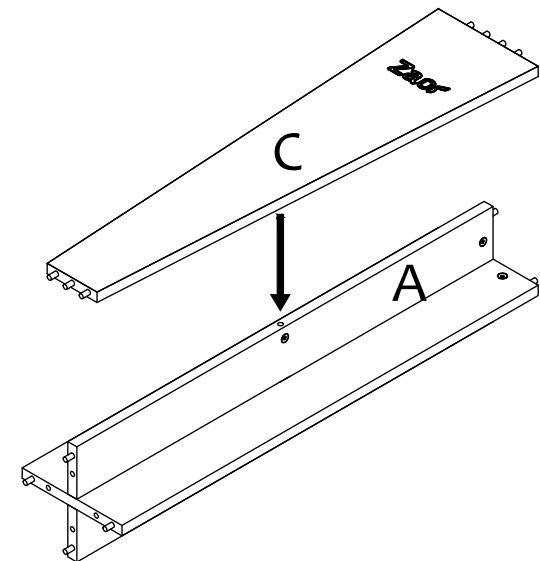


Assembly Manual

STEP 3

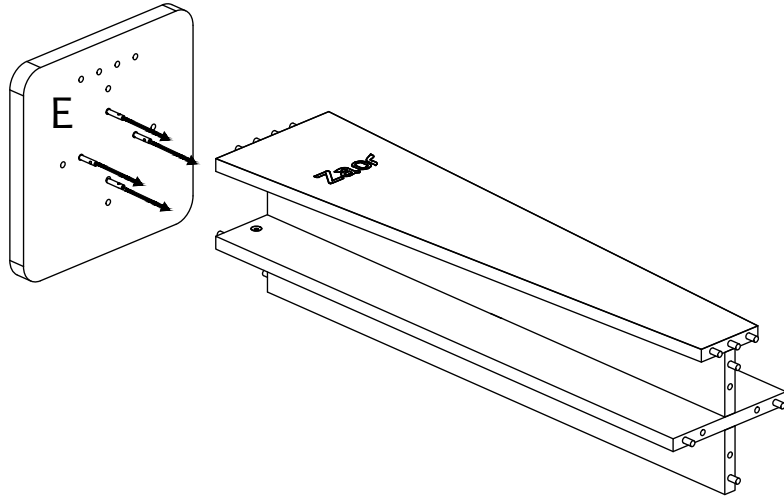


STEP 4

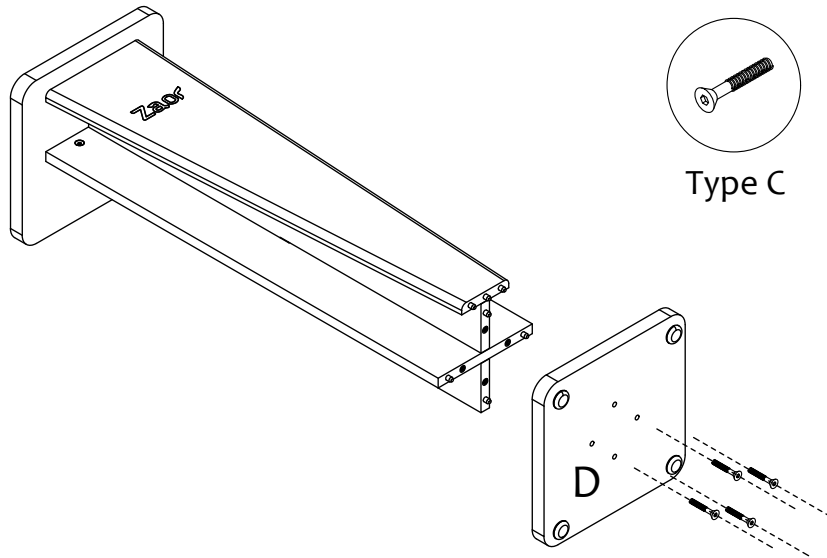


Assembly Manual

STEP 5

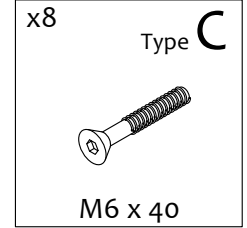
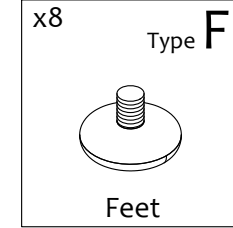
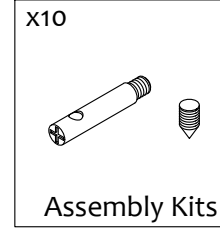
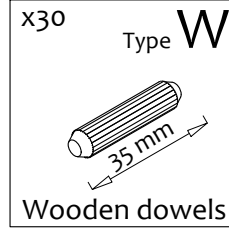


STEP 6

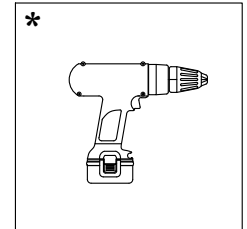
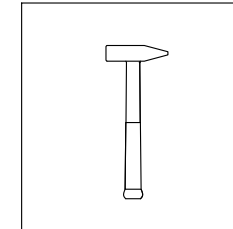
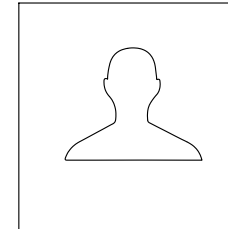
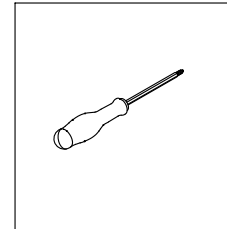


Assembly Manual

PACKING LIST:



TOOLS:



*Suggested

INSTRUCTION FOR USE AND CLEANING

- clean with a soft cloth, slightly humid or specific products for wood or lacquer;
- avoid the use of abrasive cleaners.