

# BLACKJET

## UX-1 RED EDITION

Quick Start Guide

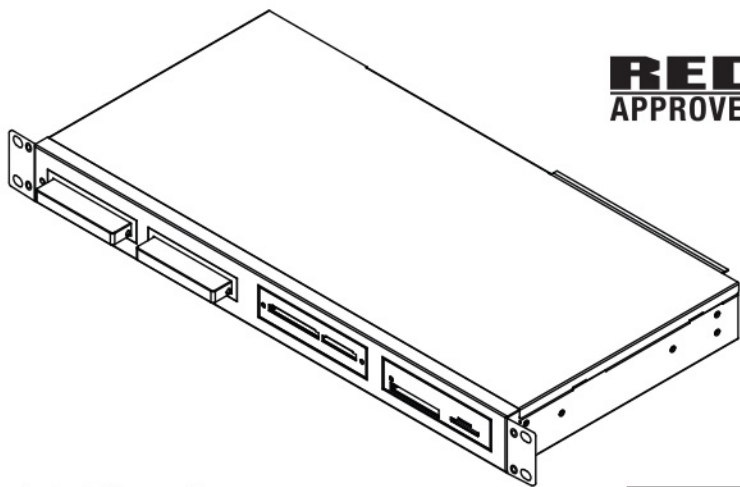
Guide de démarrage rapide

Guía de inicio rápido



**THUNDERBOLT™**

**RED  
APPROVED**



Technical Support :

Toll free number (USA only) 1-800-964-3088

[support@atechflash.com](mailto:support@atechflash.com)

[www.atechflash.com](http://www.atechflash.com)



Atech Flash Technology, Inc.

Printed in Taiwan

Specifications are subject to change without further notice.

All trademarks, trade names and copyrights are properties of their respective owners.

RED® and RED MINI-MAG® are registered trademarks of Red.com, LLC.in the U.S. and/or other countries.

Thank you for purchasing Blackjet UX-1 RED Edition Cinema Dock!

Blackjet UX-1 RED Edition is designed to be rack mountable for video production.

Blackjet UX-1 RED Edition boosts your video workflow by using two Thunderbolt™ 3 Connections with speeds of up to 40Gb/s. You can now quickly and easily ingest, edit, or back up your video contents from your RED MINI-MAG®. The additional rear Thunderbolt™ 3 port supports daisy chaining of five additional Thunderbolt devices, a 5K display, or one USB device.

Blackjet UX-1 RED lets you access 2.5" Solid State Drives (SSD) and RED MINI-MAG media cards.

Blackjet UX-1 RED SSD docking ports can also be configured for RAID 0, RAID 1, or JBOD modes. This option can be setup simply by using your operations system utility software.

# Hardware Setup

## Connecting to Computer

1. Plug in the Power Cord to UX-1 RED power connector port.
2. The Power LED indicator will illuminate.
3. Connect one end of Thunderbolt 3 cable to Thunderbolt 3 port on the UX-1 unit.
4. Connect the other end of Thunderbolt 3 cable to Thunderbolt 3 port of computer.



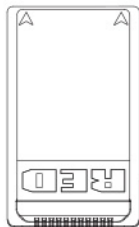
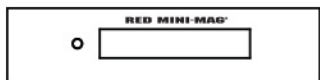
Power Supply



Thunderbolt 3 Port  
on Computer

# Using Media Reader

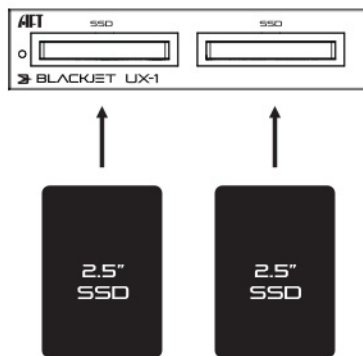
1. Media Card should have RED logo facing up and Arrows towards designated card slot.
2. Hold the RED MINI-MAG and gently insert it into designated card slot.
3. Push into the card slot until you feel the card lock into place.
4. The drive slot Red LED indicator will illuminate once the drive is detected.
5. The Red LED indicator will flash when there is any disk activity.



# Using SSD Dock

## Inserting in your 2.5" SSD

1. The SSD should have the gold contacts facing down and towards the drive slot.
2. Hold the SSD and gently insert the SSD into the drive slot.
3. Push into the drive slot until you feel the SSD lock into place.
4. The drive slot LED indicator will illuminate once the drive is detected.
5. The LED indicator will flash when there is any disk activity.



# Naming Drives

## **Naming/Renaming**

Blackjet UX-1 has 2 SSD drive slots and to help identify them, we recommend naming or renaming your drives being used.

## **Mac Users**

Use the Disk Utility application on your mac OS. You can also use Finder to select the disk to be renamed.

## **Windows Users**

Use the Windows Disk Management on your Windows. You can also Right Click on your drive to be renamed.

# Formatting Types

New drives need to be formatted to allow your computer to read/write data to them.

## **HFS+**

macOS Extended or HFS Plus is a file system developed by Apple Inc. which added “Journaling” for improved data reliability. The formatting decides the way the files are stored on your hard disk. This allows more data to be recovered in rare cases of corruption caused by software or hardware malfunction.



## **Windows Users**

Windows uses exFAT which can also be read from Mac systems. The exFAT formatting doesn't support "Journaling", which means there will be less data to be recovered in rare cases of corruption caused by software or hardware malfunction.

# Formatting Drives

## Important Notes!

If you have already written any data to the drive, back it up before formatting.

## Disk Utility (macOS Sierra +)

1. In the Finder, choose Go > Utilities. The Applications/Utilities folder will open.
2. Launch Disk Utility.
3. Click the icon for your external SSD in the sidebar on the left.
4. Click the Erase tab along the top of the window.
5. From the Volume Format menu, choose macOS Extended (Journaled).
6. Enter a name for the external hard drive in the Name field.
7. Click the Erase button.

# Disk Management (Windows 10)

1. Type Control Panel in the search box.
2. Click Control Panel.
3. Click Administrative Tools.
4. Click Computer Management.
5. Click Disk Management.
6. Right-click on the drive or partition to format and click on Format.
7. Select the file system and set the cluster size.
8. Click OK to format the drive.

# RAID Setup

## Important Notes!

Drives of identical size and model are recommended for RAID 0 and RAID1 modes.

## RAID Types

- JBOD (Just a Bunch Of Drives) default configuration supports both SSD drive modules as separate volumes in your system.
- RAID 0 (Performance) striped across two SSD drives if you are using large files, such as digital video files in your system.
- RAID 1 (Protection) in which data is mirrored from one SSD drive to the other to protect your data against drive failures. Your data is written to two SSD drives at once.

## **RAID Configurations (macOS Sierra+)**

For macOS RAID configurations, click Go on desktop and then select Utilities and launch Disk Utility. Follow the directions or refer to the macOS support page.

## **RAID Configurations (Windows 10)**

For Windows RAID configurations, search for Control Panel, then select Administrative Tools/ Computer Management/Storage/Disk Management. Follow the directions or refer to Windows support page.

# Removing Drives

## Important Notes!

If your drives are setup for RAID, please shut down your computer before ejecting or removing the drives. This will prevent any data loss or any errors.

## Ejecting Drive (macOS Sierra +)

1. Locate the drive icon on your desktop you wish to eject.
2. Right click on the drive icon and select Eject.
3. Blackjet UX-1 SSD drive bay LED will flash and your drive will be ejected.
4. The selected drive icon will disappear from the desktop.
5. Now you can safely remove the drive from Blackjet UX-1.

## Ejecting Drive (Windows 10)

1. Locate the Safely Remove Hardware and Eject Media icon on bottom right of your desktop. Click the icon and a list of available drives and devices will appear.
2. Select and click on the drive you wish to eject.
3. The Safe to Remove Hardware notification window will pop-up.
4. Now you can safely remove the drive from Blackjet UX-1.

# Safety Information

## **Caution!!**

Please do not remove Media Drives/Cards when the LED lights are blinking. Failing to do so may result in damage or data corruption.

## **Make Back-up Copies**

We strongly recommend that you copy the files in the Media Drives/Cards to your computer first before attempting to view or make any changes to the files.

To help prevent the loss of your data, we highly recommend that you keep back-up copies of your data in separate storage locations. Keep one copy on your internal system hard drive and another copy on a second hard drive.



## **Power Supply**

Blackjet UX-1 utilizes a 12V adapter, please do not use a different power adapter to avoid corruption/damage to the product and data failure.

# Limited Warranty

Atech Flash Technology, Inc. ("AFT"), warrants to the original end user ("Customer") that under normal intended use AFT media docking solutions will be free from defects in materials and workmanship for one (1) year from the date of purchase. During warranty period, AFT shall either repair, or replace defective product. AFT shall not be liable for any losses or damages of any kind resulting from the use of AFT products or for any of Customer's data stored on products returned to AFT for service. AFT accepts no liability for and provides no expressed or implied warranty against any loss of data or videos.

You may register your product at <http://www.atechflash.com>. Customer must have proof of purchase and obtain warranty service authorization from AFT within the applicable warranty period before returning defective products to AFT. Returned products must be shipped prepaid and packaged appropriately, and it is recommended that they be insured or sent by a method that provides for tracking of the package.

Limitations: This limited warranty is in lieu of all other warranties, terms or conditions; including warranties, terms, or conditions of merchantability, fitness for a particular purpose, satisfactory quality, suppliers, and in no event will AFT be liable for any special, incidental, consequential, or indirect damages resulting from the possession, use or failure of this product. Product names mentioned herein are for identification purposes only and may be trademarked and/or registered trademarks of their respective companies.