

Bostrom[®]

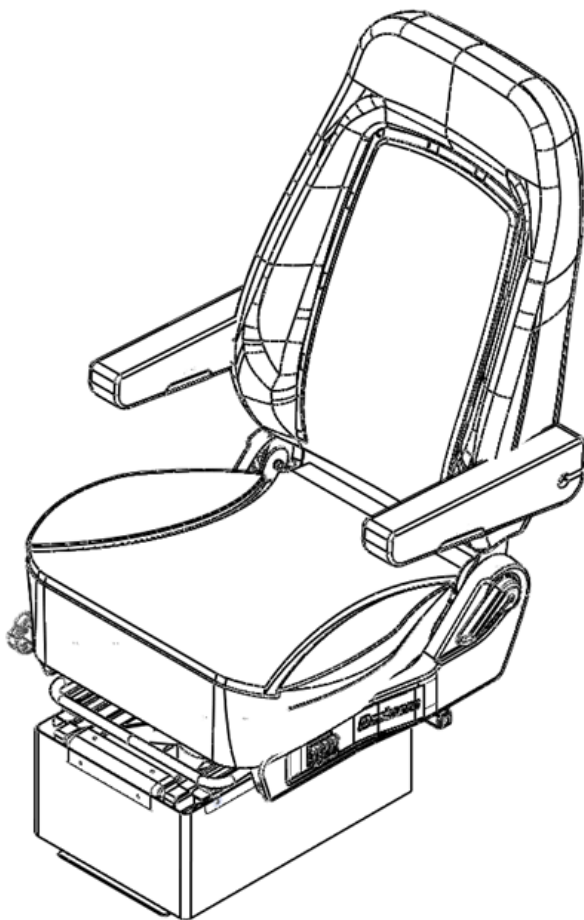
S E A T I N G

WIDE RIDE CORE AND PLUS SEAT

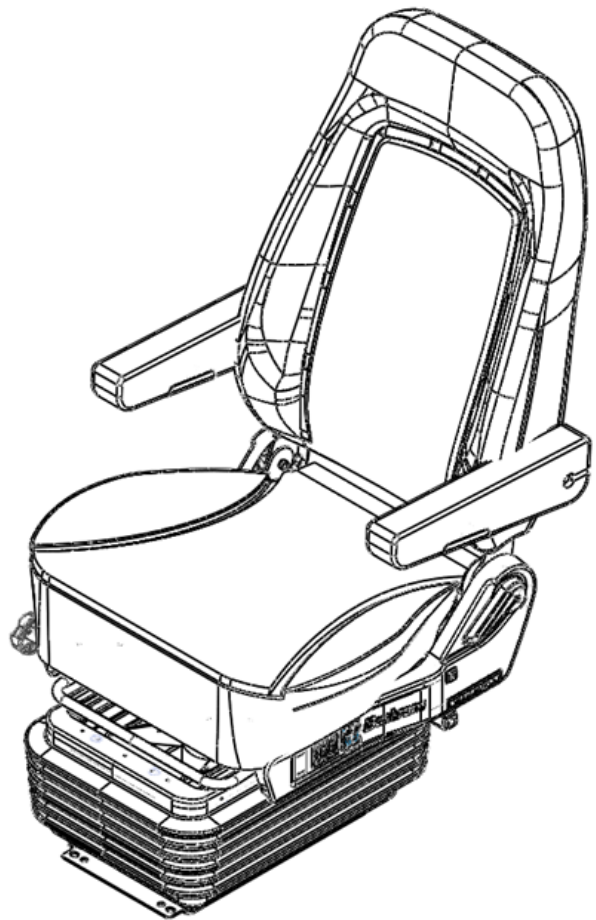
(OPTIONAL) DRIVER / PASSENGER SWIVEL, ADJUSTABLE ARMREST, MEMORY, HEAT, AND HEAT / VENT

OPERATION AND SERVICE PARTS MANUAL

This seat conforms to FMVSS 207 and 302 in effect
on the date of manufacture



WR CORE SEAT



WR PLUS SEAT

HIGH PROFILE SEAT

CATALOG NO.

1204944-001

REV C

OPERATION WARNING

WARNING

SERIOUS INJURY MAY OCCUR IF HEAD CLEARANCE IS NOT ADEQUATE. BEFORE DRIVING OR RIDING IN VEHICLE, ENSURE THAT THERE IS ADEQUATE HEAD CLEARANCE AT THE MAXIMUM UPWARD TRAVEL OF SEAT. SEE OPERATION MANUAL.

To check for adequate head clearance, sit in the seat and slowly raise it to its maximum upward position (See Comfort Adjustments).

**SEAT BELTS SHOULD BE WORN AT ALL TIMES
WHEN OPERATING THE VEHICLE.**

Federal Motor Vehicle Safety Standard

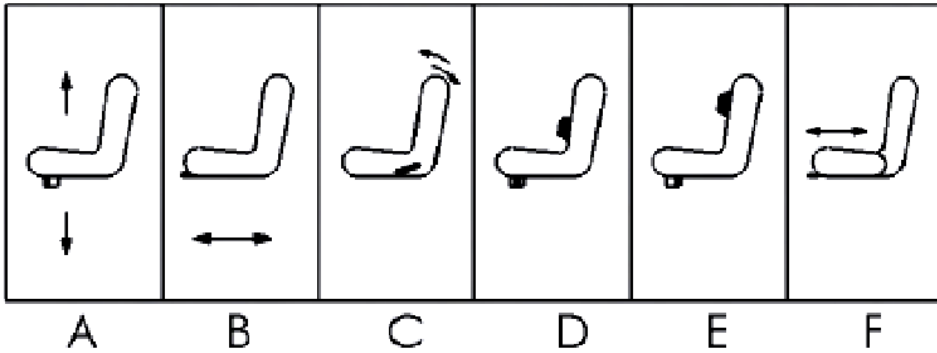
This seat conforms to Federal Motor Vehicle Safety Standards (FMVSS) 207 and 302 in effect on the date of manufacture.

It is the responsibility of the installer to ensure that the proper seat fastening hardware and seat belt anchorages (seat belt and tether belt system) are used in accordance with FMVSS 209 and 210.

To achieve compliance with FMVSS 207, use only high-strength fasteners and heavy-duty washers, or high-strength flange head bolts when installing the seat assembly

COMFORT ADJUSTMENTS

After installation the following comfort adjustments can be made to ensure the best performance.



F - CUSHION EXTENSION
To adjust seat cushion fore and aft, lift the handle upward and pull or push seat cushion to desired position.

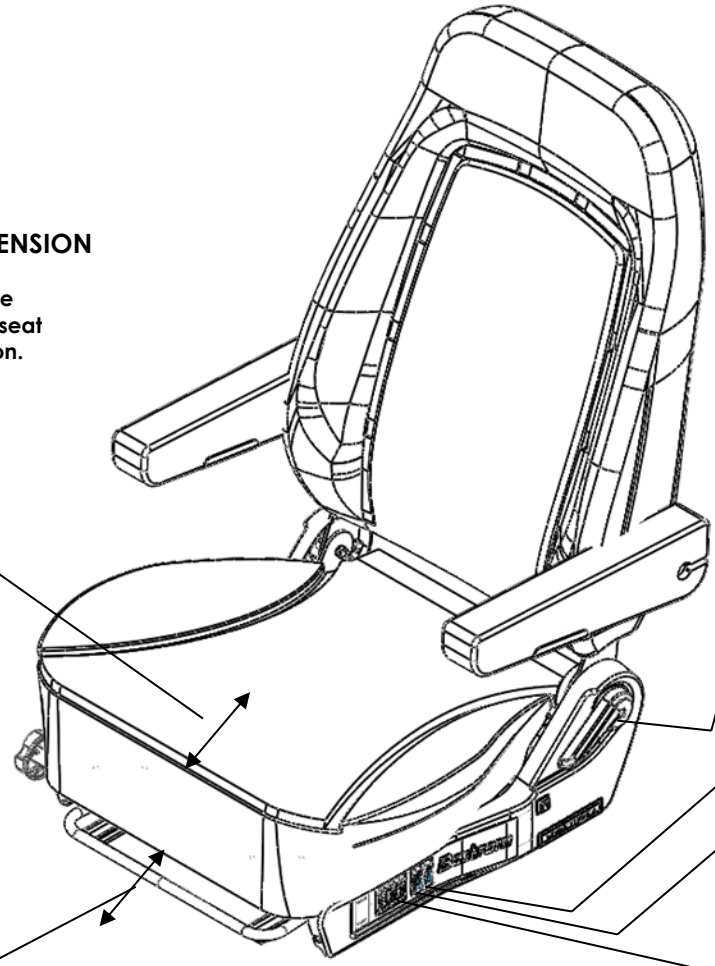
B - FORE AND AFT SEAT POSITION ADJUSTMENT
Hold lever to up to adjust seat position forward or backward.

C - BACK ANGLE ADJUSTMENT
Lean forward slightly to remove pressure from seat back, pull handle upward to adjust to any position within range.

E - AIR LUMBAR ADJUSTMENT (UPPER)
To increase upper lumbar support press control valve upward.
To decrease lumbar support press control valve downward.

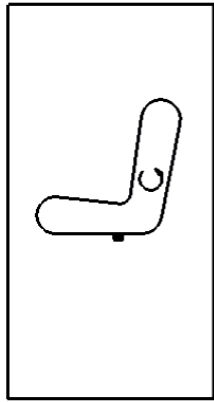
D - AIR LUMBAR ADJUSTMENT (LOWER)
To increase lower lumbar support press control valve upward.
To decrease lumbar support press control valve downward.

A - WEIGHT AND HEIGHT ADJUSTMENT
To raise seat, push the air valve switch upwards. To lower seat, push the air valve switch downwards. When adjusted properly and under normal driving conditions, the seat should not top nor bottom against the end limits of the vertical travel. Adjusted height position should aid driver's visibility and vehicle control.

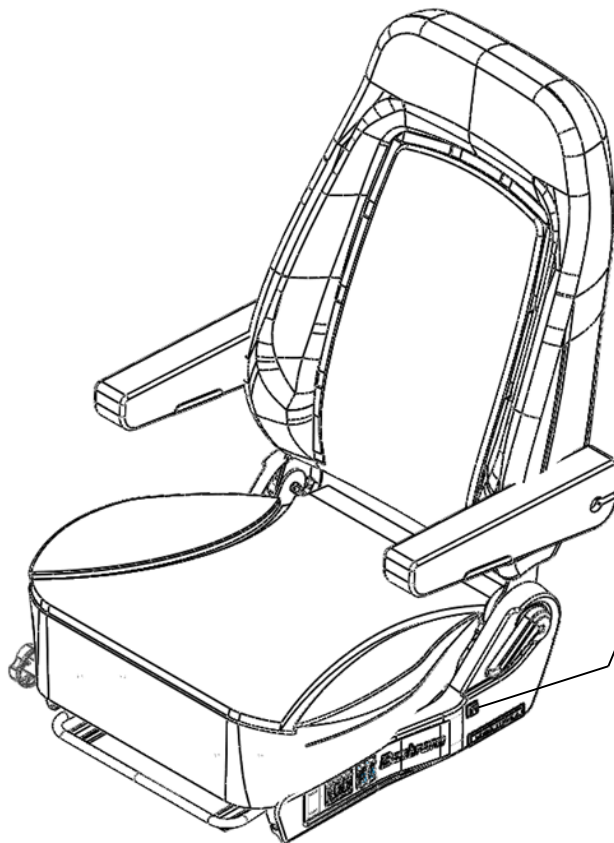


COMFORT ADJUSTMENTS

After installation the following comfort adjustments can be made to ensure the best performance.



G

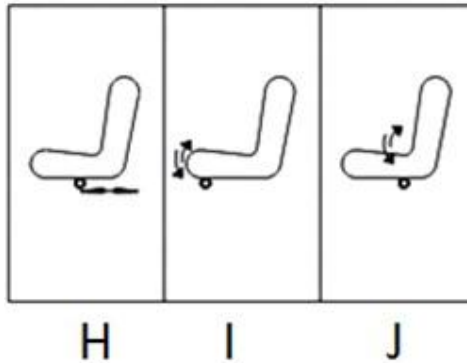


G – BACK CYCLER

To reduce back pain and fatigue press back cycler switch, a controlled bladder inflates and deflates at a regular interval.

COMFORT ADJUSTMENTS

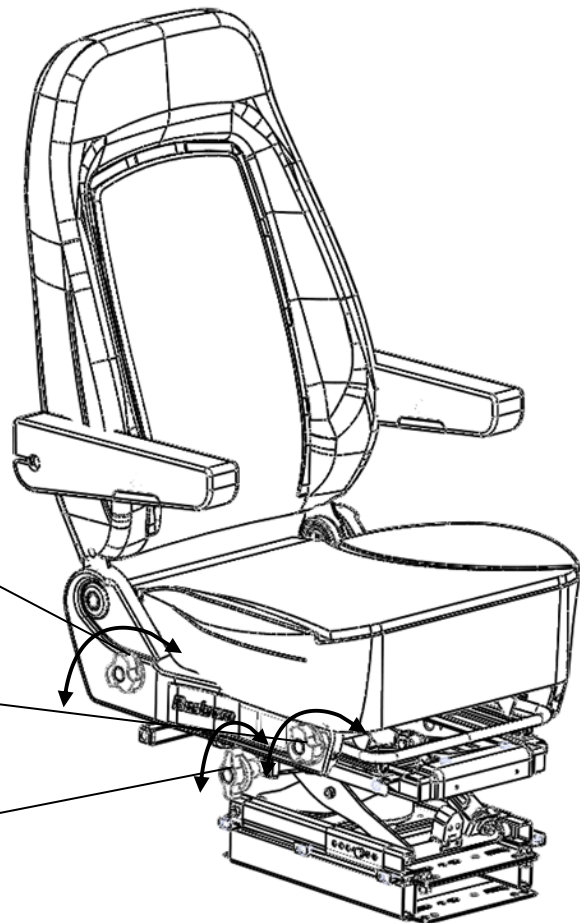
After installation the following comfort adjustments can be made to ensure the best performance.



**J - SEAT CUSHION
TILT ADJUSTMENT-REAR**
Rotate seat tilt knob
to decrease or
increase rear seat tilt.

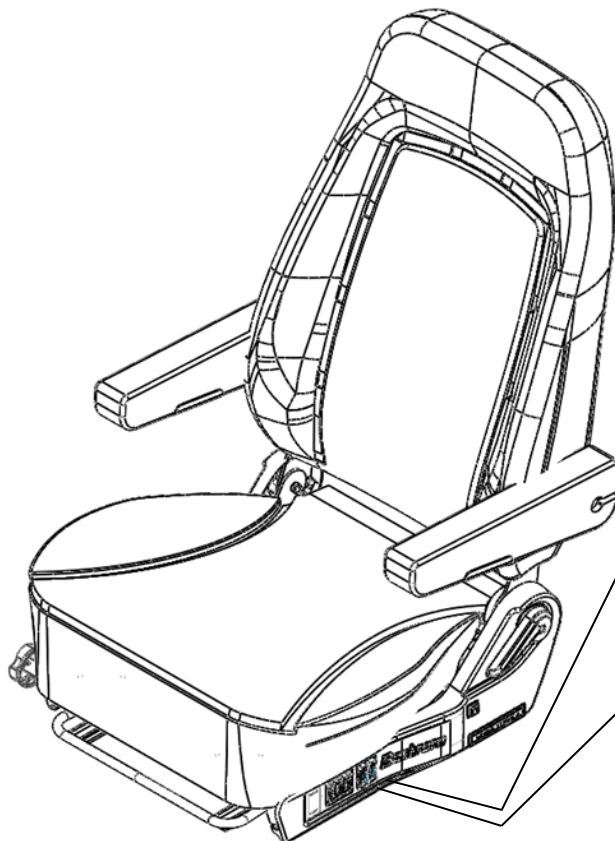
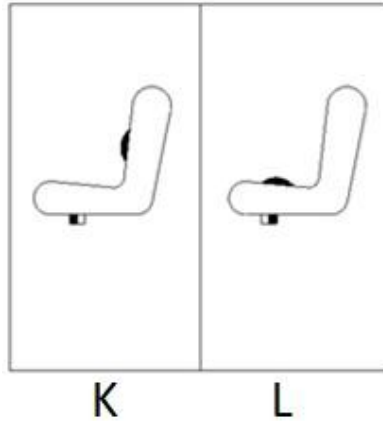
**I - SEAT CUSHION
TILT ADJUSTMENT-FRONT**
Rotate seat tilt knob
to decrease or
increase front seat tilt.

H - FORE AND AFT ISOLATION
Isolation is provided
when the knob rotated counter
clock direction



COMFORT ADJUSTMENTS

After installation the following comfort adjustments can be made to ensure the best performance.



L – CUSHION BOLSTER

To increase cushion bolster Support, press bolster switch upward.
To decrease cushion bolster Support, press bolster switch downward.

K – BACK BOLSTER

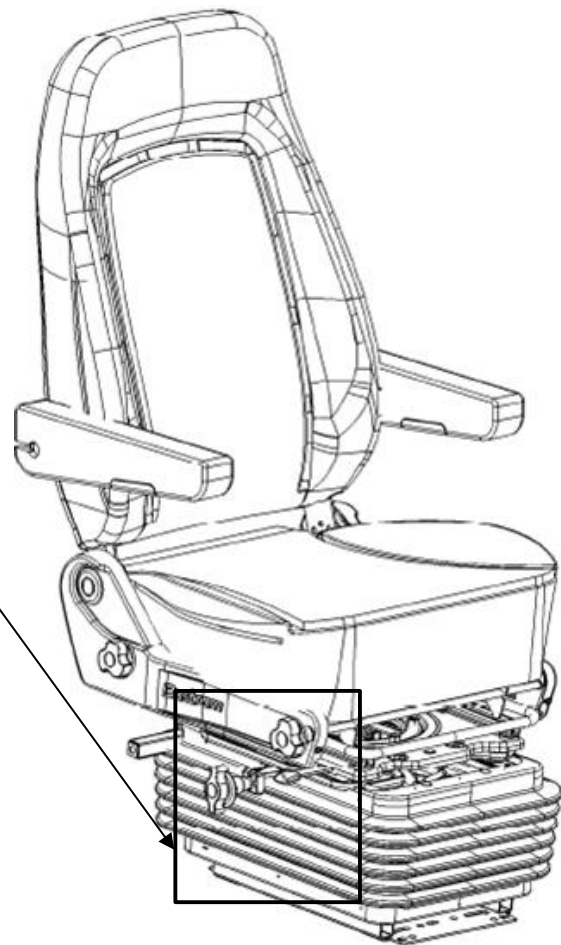
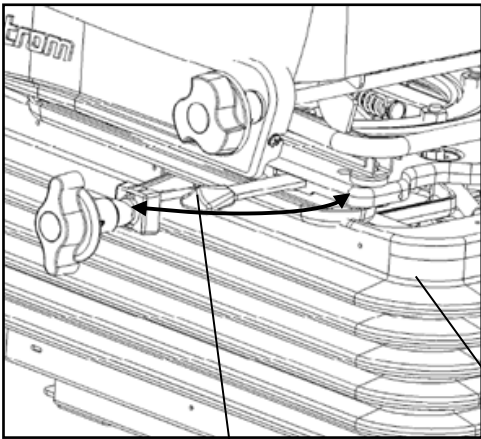
To increase back bolster Support, press bolster switch upward.
To decrease back bolster support, press bolster switch downward.

BOSTROM WIDE RIDE CORE AND PLUS SEAT SEAT SWIVEL OPERATION

▲ WARNING THE SWIVEL FEATURE OF THIS SEAT IS INTENDED SOLELY FOR OPERATION WHEN THE VEHICLE IS NOT IN MOTION. WHEN THE VEHICLE IS MOVING, THE SEAT MUST BE LOCKED IN THE FORWARD FACING POSITION AND THE SEAT BELT WORN FOR MAXIMUM OCCUPANT SAFETY.



M



M – SWIVEL OPTION

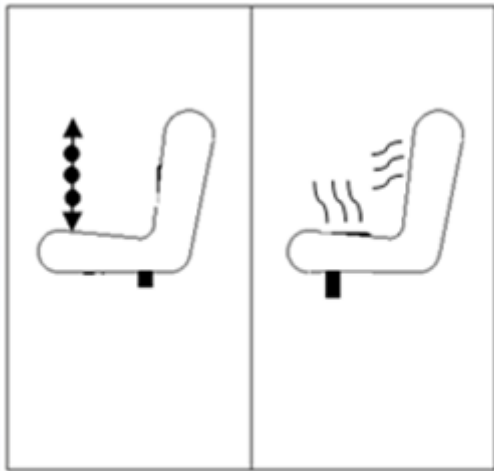
To rotate the top seat push back swivel handle and adjust seat with desired position, then move swivel handle front for lock.

SWIVEL OPERATION SEQUENCE SUMMARY

1. OUTBOARD ARMREST DOWN
2. BACK NEAR VERTICAL POSITION
3. ADJUST FORE/AFT AS REQUIRED
4. CHECK ARM AND BACK CLEARANCE
5. READJUST SEAT AND BACK AS DESIRED

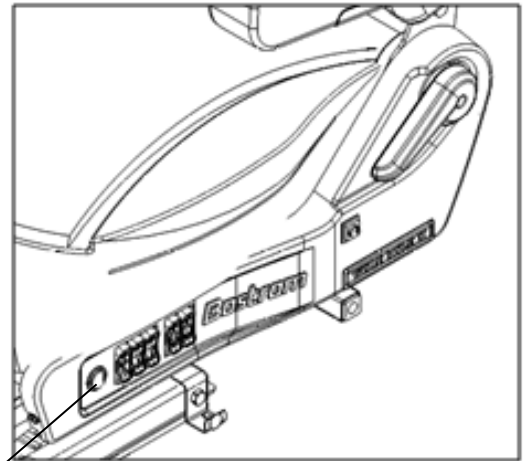
COMFORT ADJUSTMENTS

After installation the following comfort adjustments can be made to ensure the best performance.



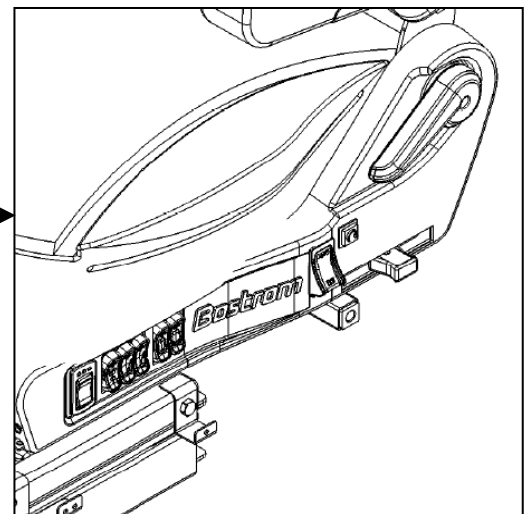
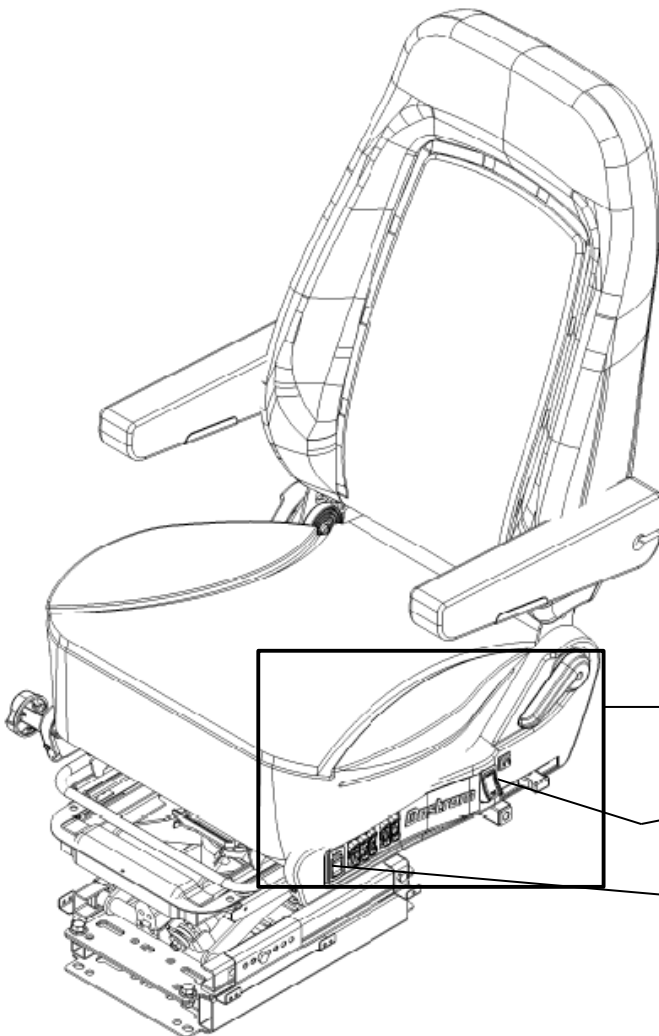
N

O



O – HEATER

To increase the seat foam temperature, press Heater switch.



N – MEMORY

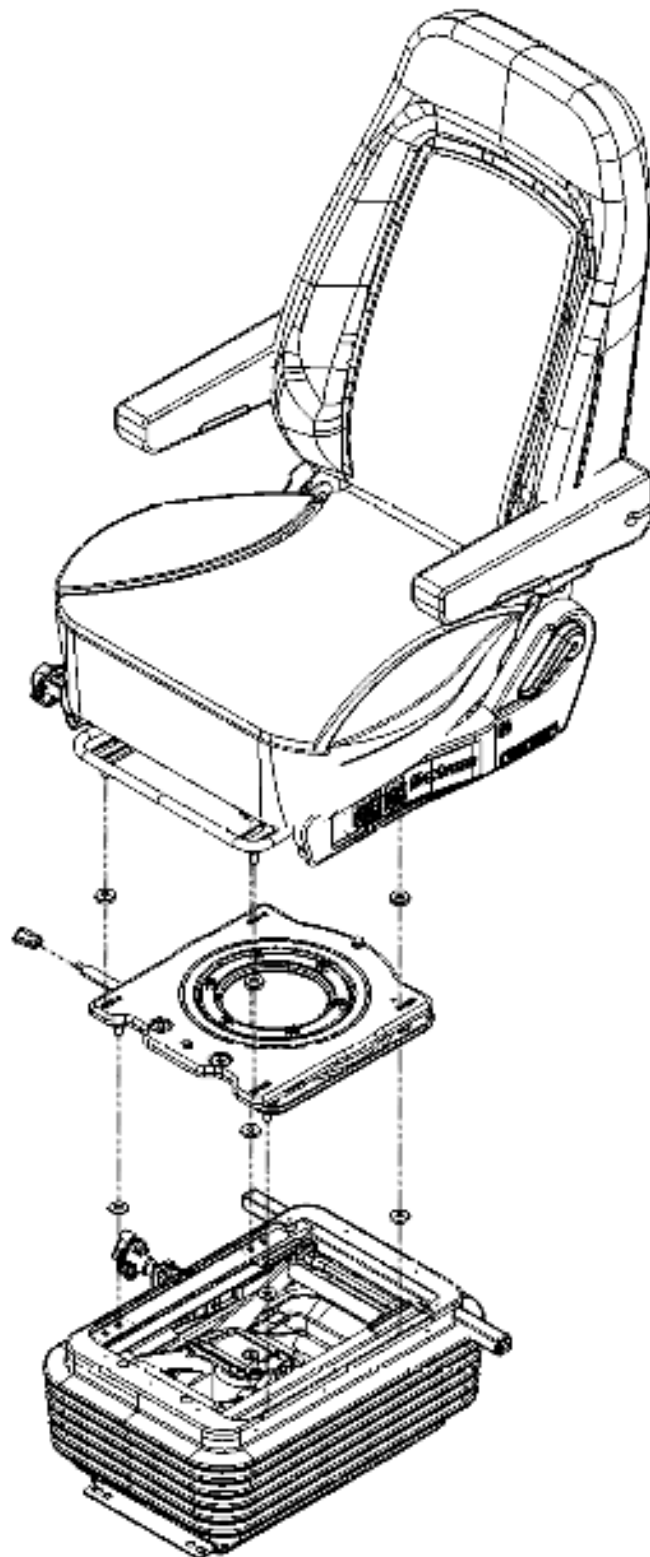
Press the rapid deflation valve to get the preset seat height positions

O – HEAT AND VENT

To increase or decrease the seat foam temperature, press heat and vent switch.

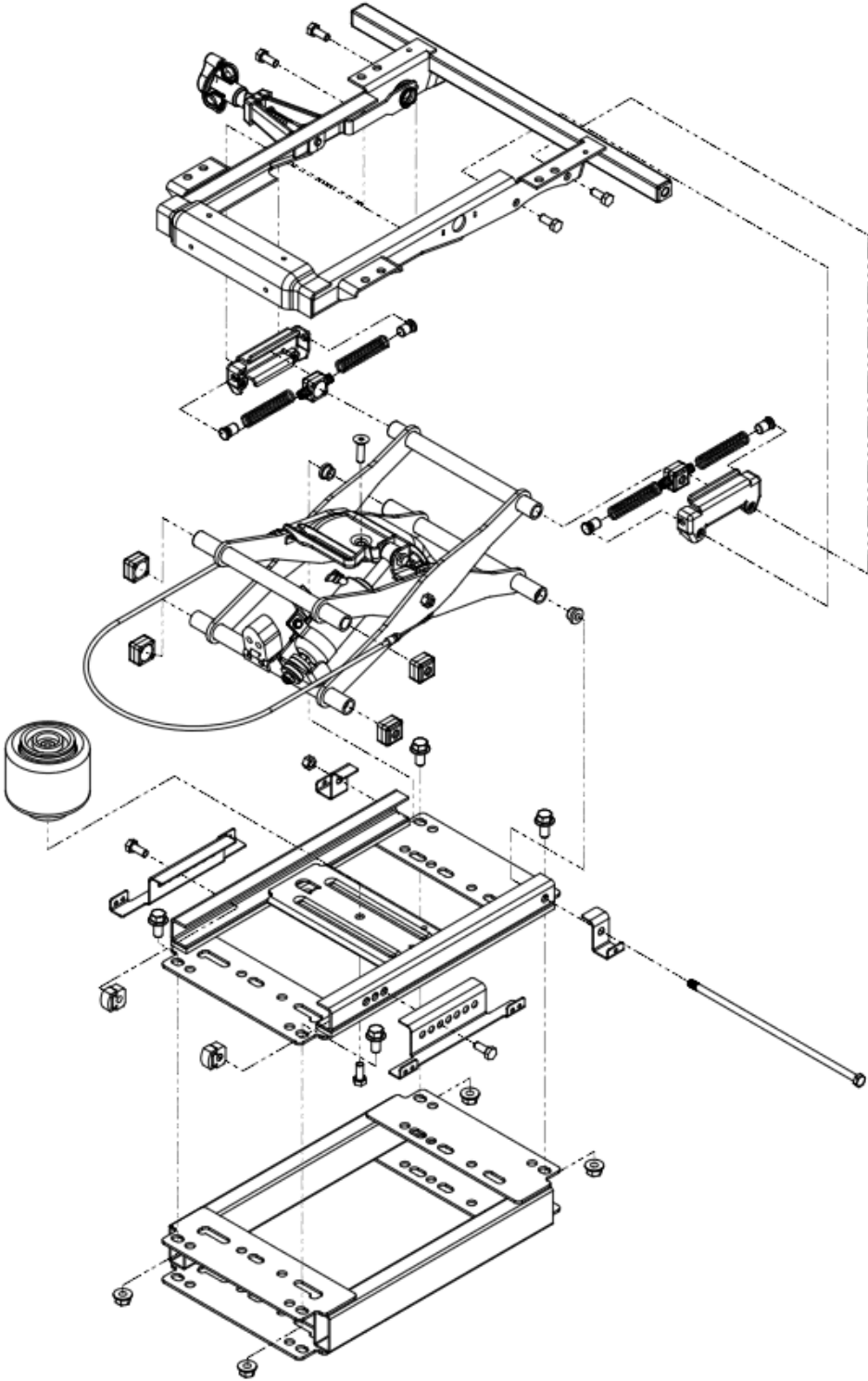
BOSTROM WIDE RIDE CORE AND PLUS SEAT

SWIVEL ASSEMBLY-EXPLODE VIEW

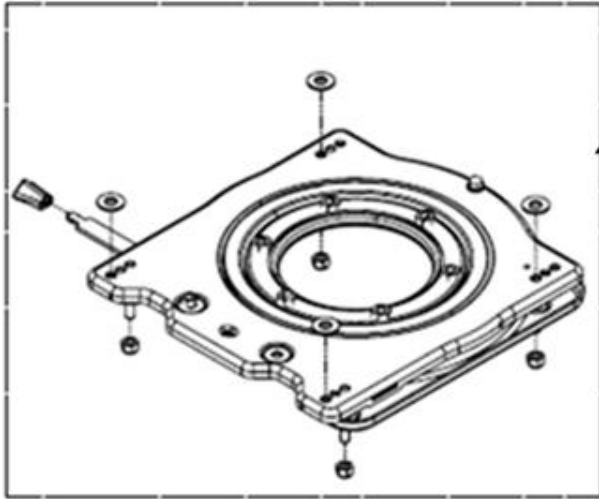


BOSTROM WIDE RIDE CORE AND PLUS SEAT

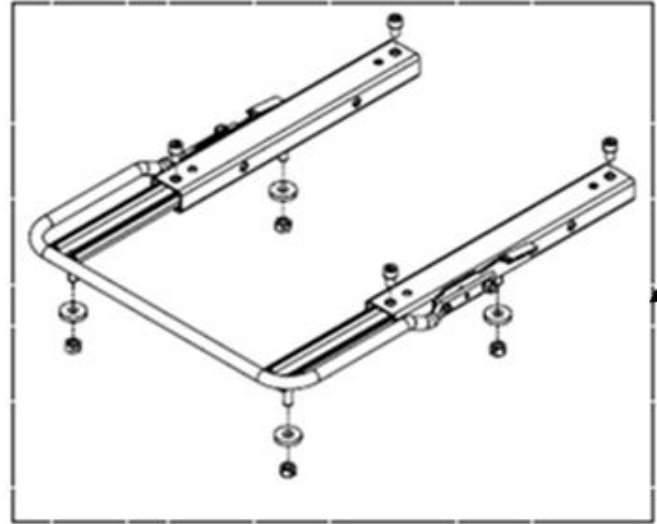
SUSPENSION ASSEMBLY-EXPLODE VIEW



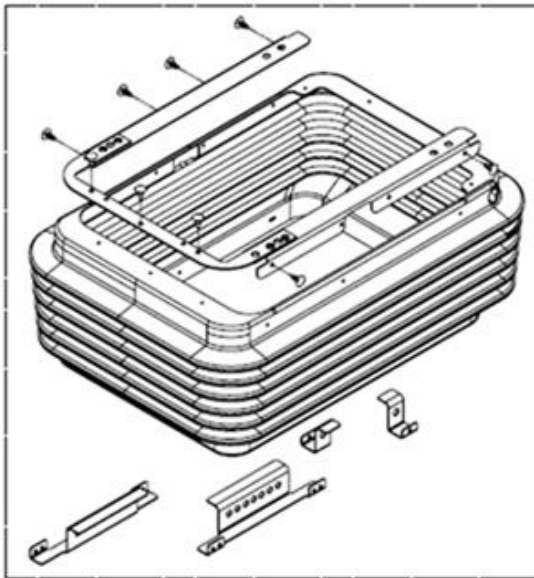
ILLUSTRATED PARTS BREAKDOWN



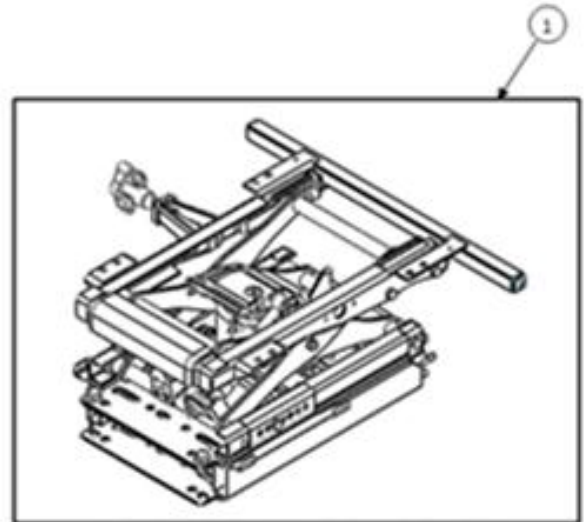
SWIVEL ASSEMBLY KIT



TRACK ASSEMBLY KIT

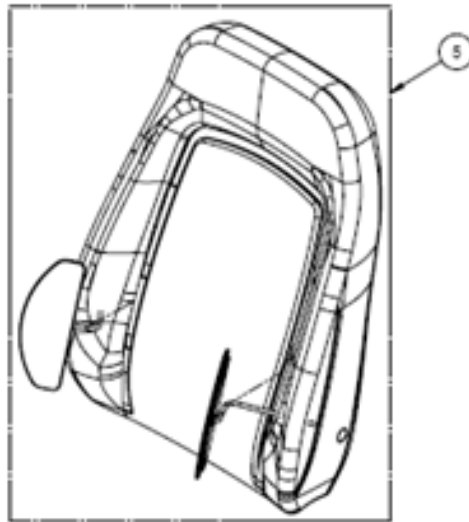


SUSPENSION COVER KIT

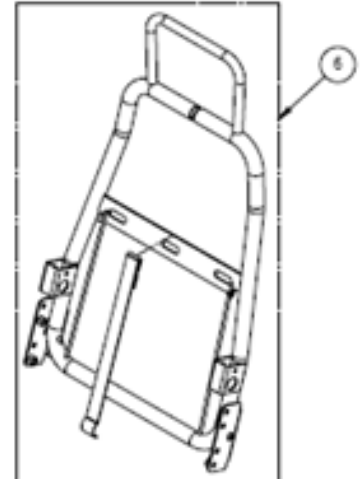


WR PLUS HIGH PROFILE SUSPENSION
W/ISOLATION ASSEMBLY KIT

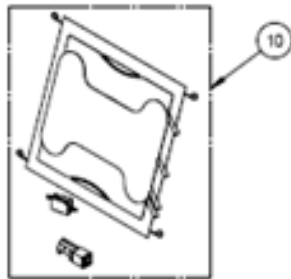
ILLUSTRATED PARTS BREAKDOWN



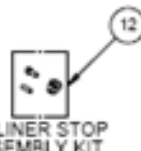
WR PLUS HIGH BACK FOAM ASSEMBLY KIT



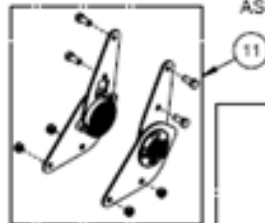
HIGH BACK FRAME ASSEMBLY KIT



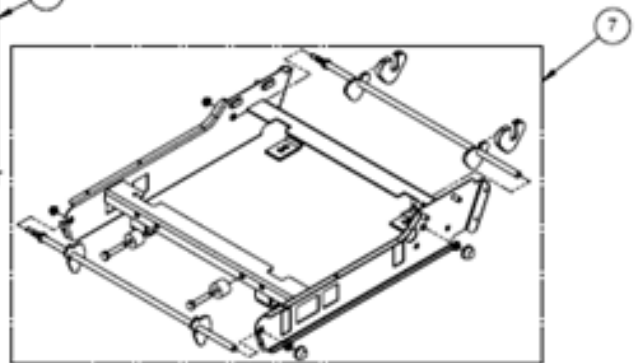
LUMBAR W/ BACK CYCLER KIT



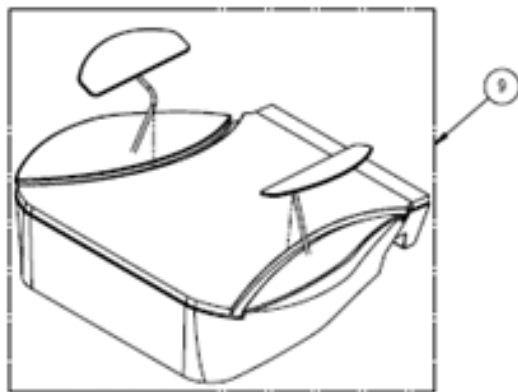
RECLINER STOP ASSEMBLY KIT



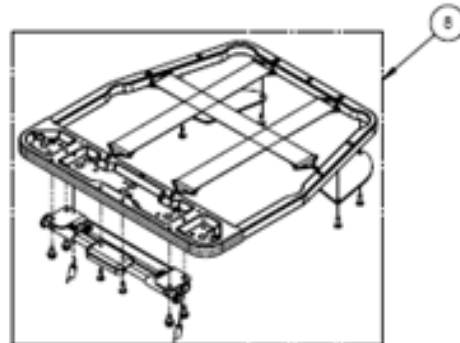
RECLINER ASSEMBLY KIT



CUSHION FRAME SUPPORT ASSEMBLY KIT

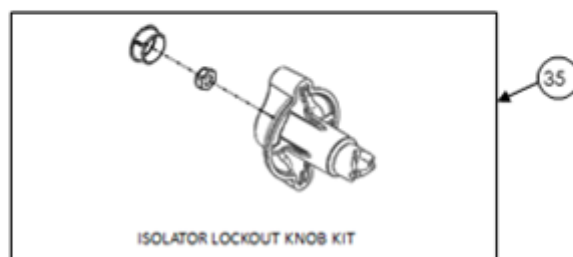
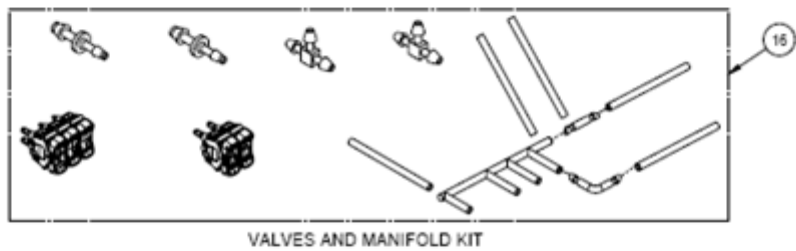
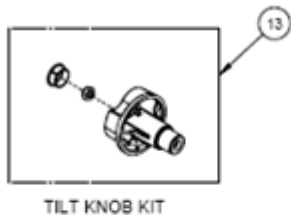
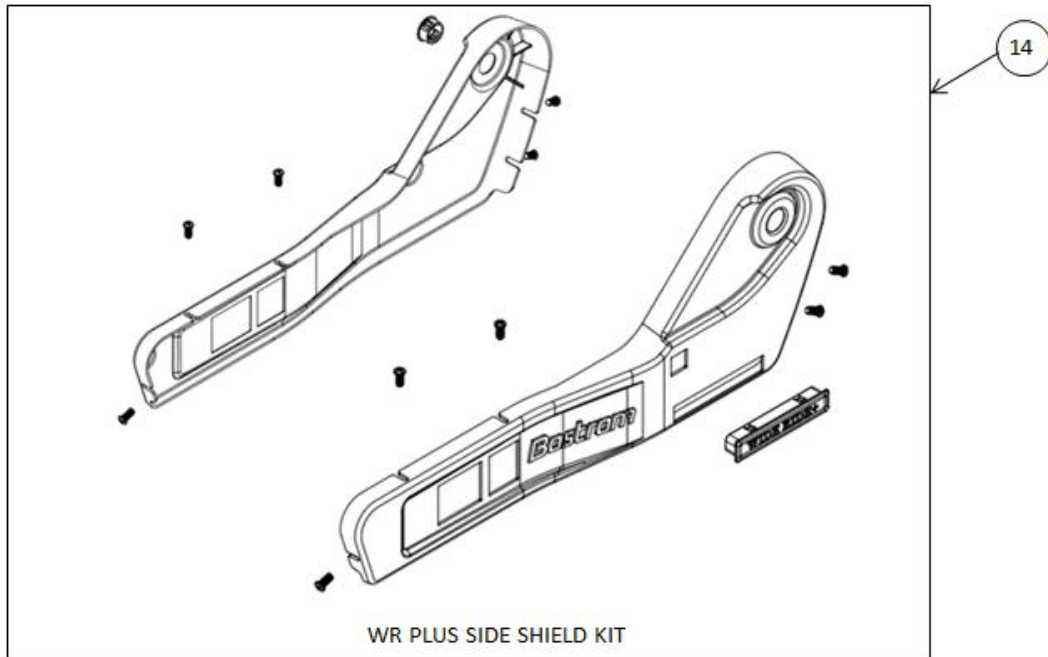


WR PLUS CUSHION FOAM ASSEMBLY KIT

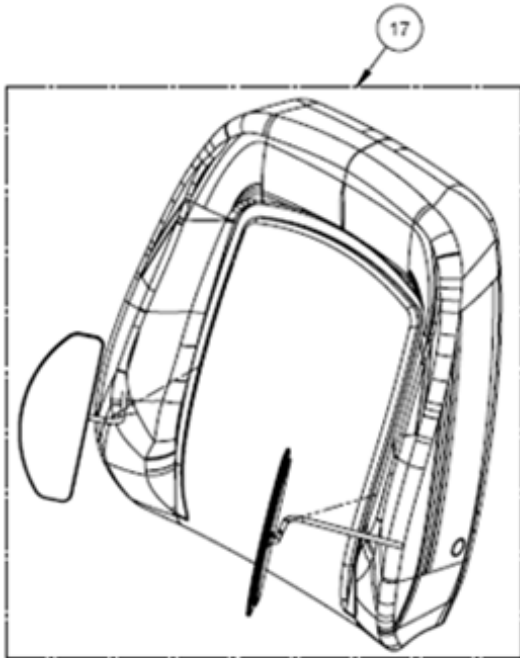


CUSHION FRAME ASSEMBLY KIT

ILLUSTRATED PARTS BREAKDOWN



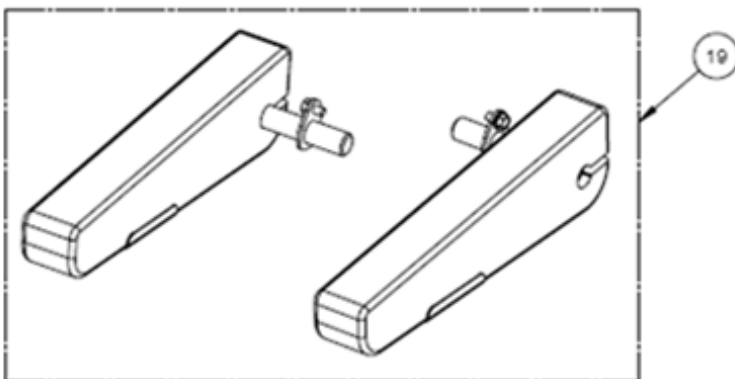
ILLUSTRATED PARTS BREAKDOWN



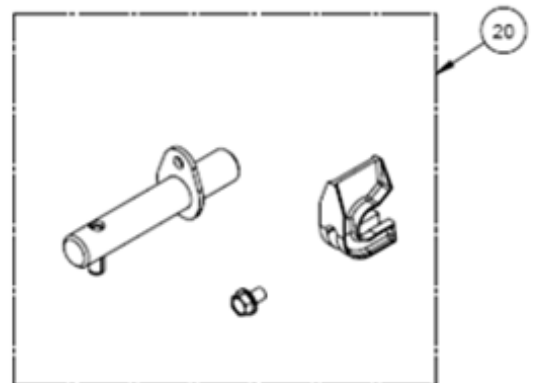
WR PLUS MID BACK FOAM ASSEMBLY KIT



MID BACK FRAME ASSEMBLY KIT

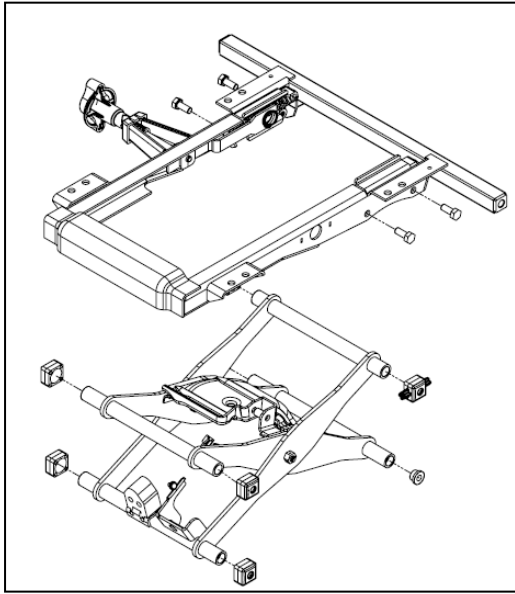


ARMREST ASSEMBLY KIT



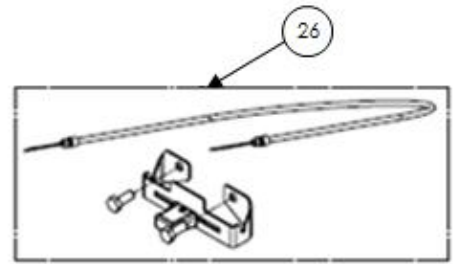
ARMREST ATTACHMENT HARDWARE KIT

ILLUSTRATED PARTS BREAKDOWN



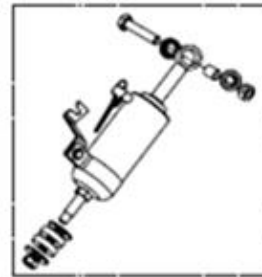
SCISSOR AND ISOLATOR ASSEMBLY KIT

21

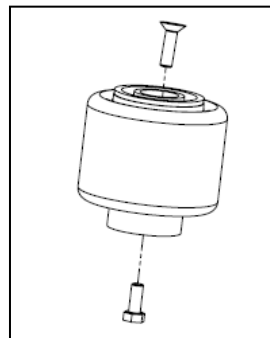


SEAT CONTROL CABLE WITH BRACKET ASSEMBLY KIT

26

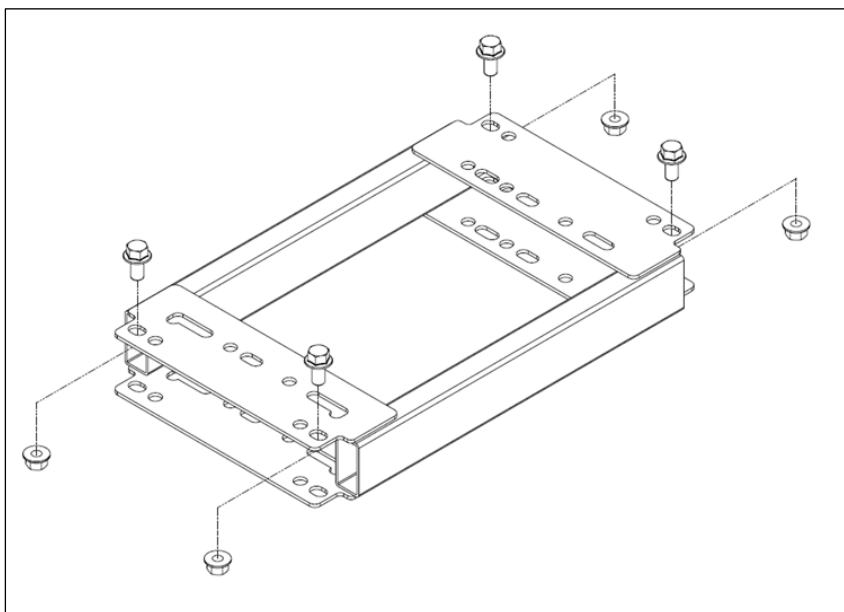


ADJUSTABLE SHOCK ABSORBER ASSEMBLY KIT



AIR SPRING ASSEMBLY KIT

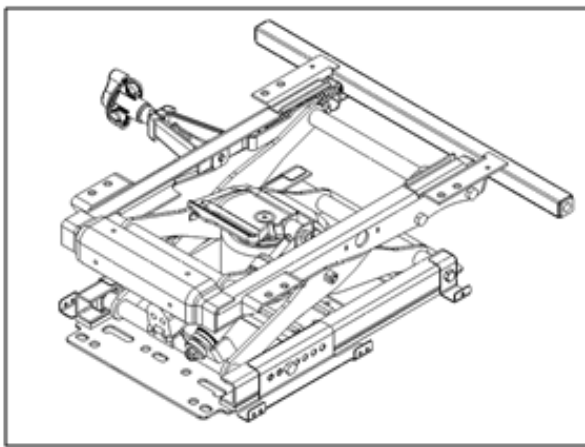
24



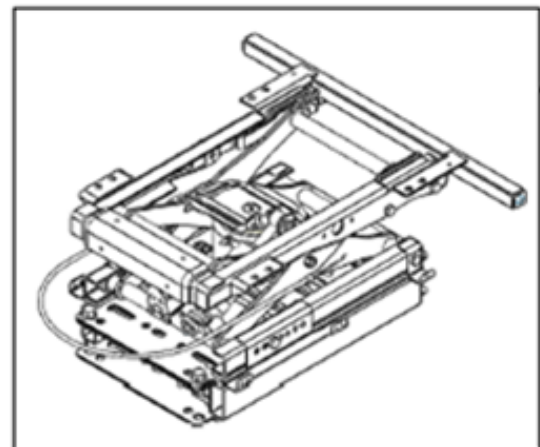
2 INCH RISER ASSEMBLY KIT

22

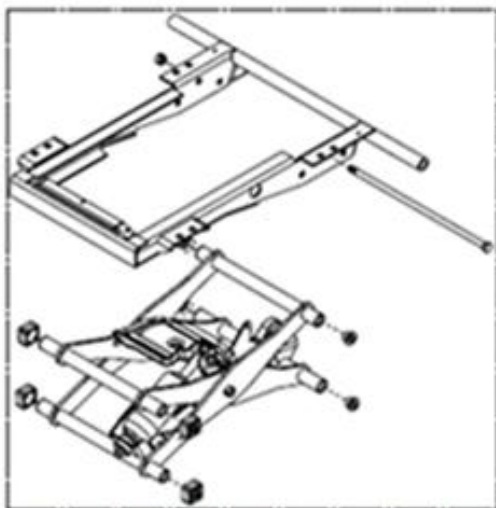
ILLUSTRATED PARTS BREAKDOWN



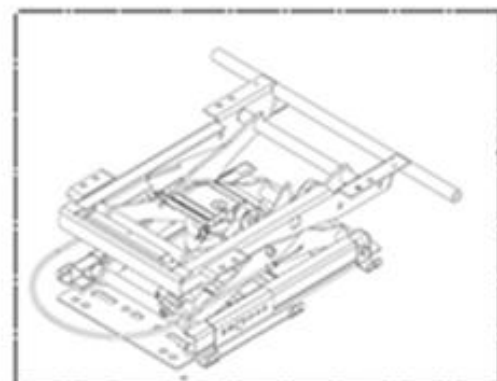
WR PLUS LOW PROFILE SUSPENSION
W/ ISOLATION ASSEMBLY KIT



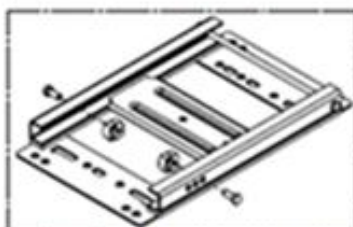
WR PLUS HIGH PROFILE SUSPENSION
W/O ISOLATION ASSEMBLY KIT



SCISSOR AND ISOLATER ASSEMBLY KIT



WR PLUS LOW PROFILE SUSPENSION
W/O ISOLATION ASSEMBLT KIT



LOW PROFILE RISER ASSEMBLY KIT

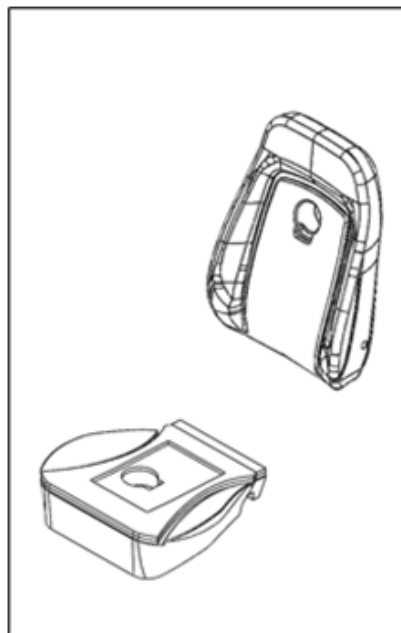
ILLUSTRATED PARTS BREAKDOWN

HEAT AND VENT ASSEMBLY KIT

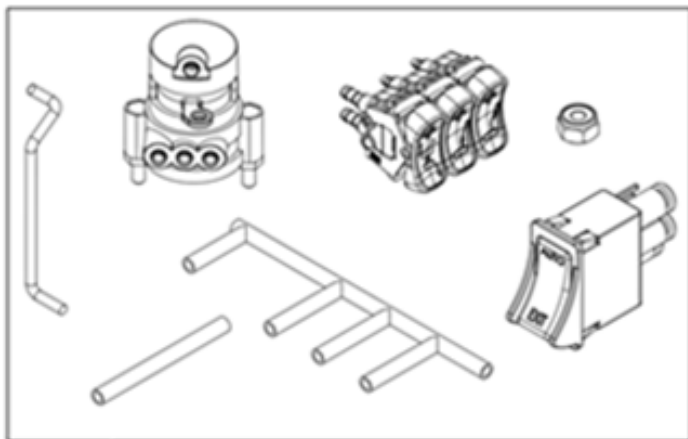


31

WR PLUS HEAT/VENT FOAM KIT

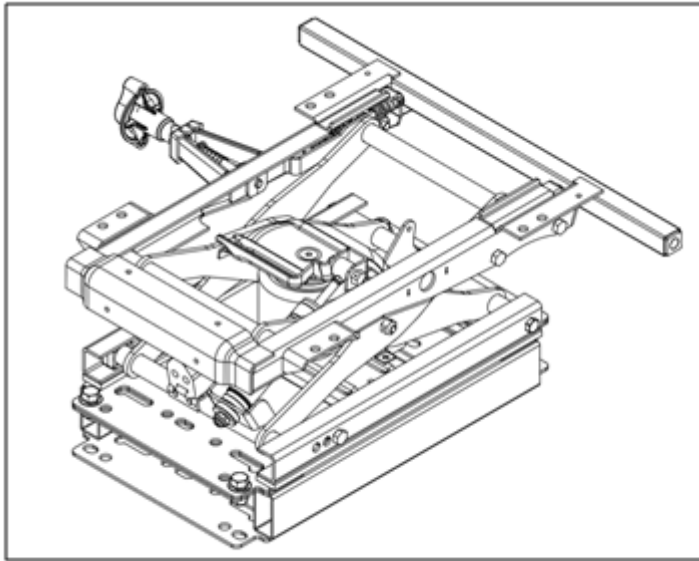


32

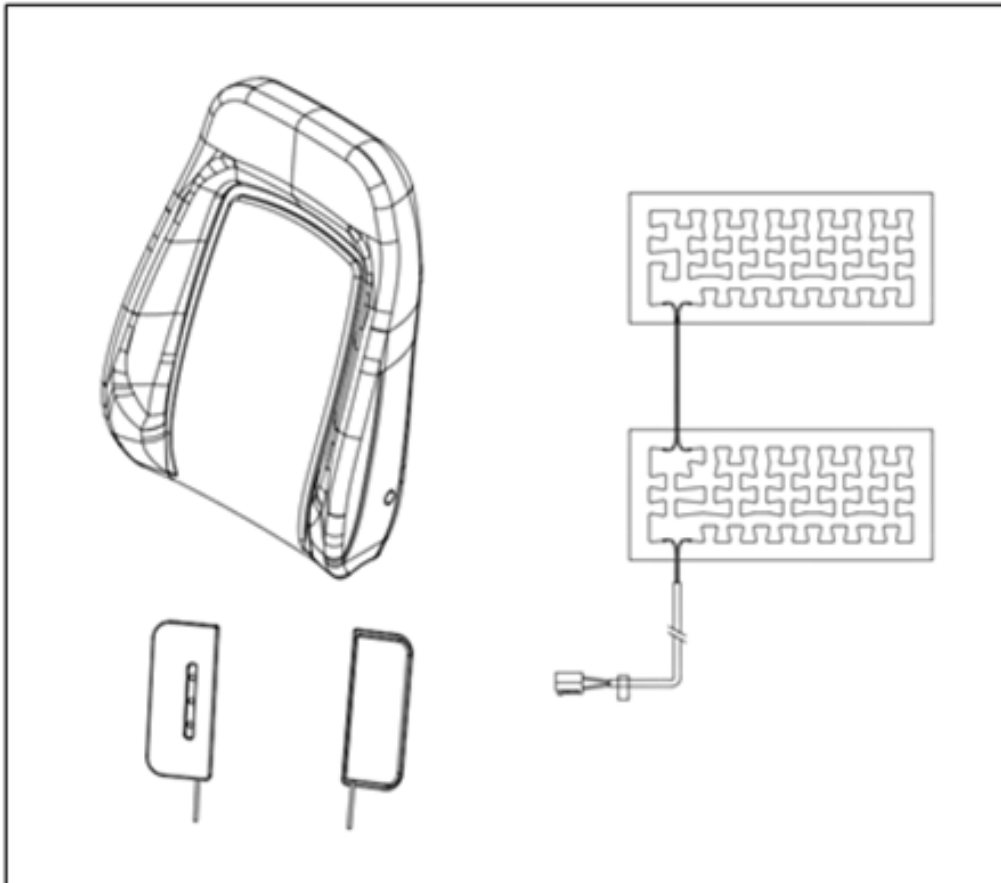


MEMORY VALVE KIT

33

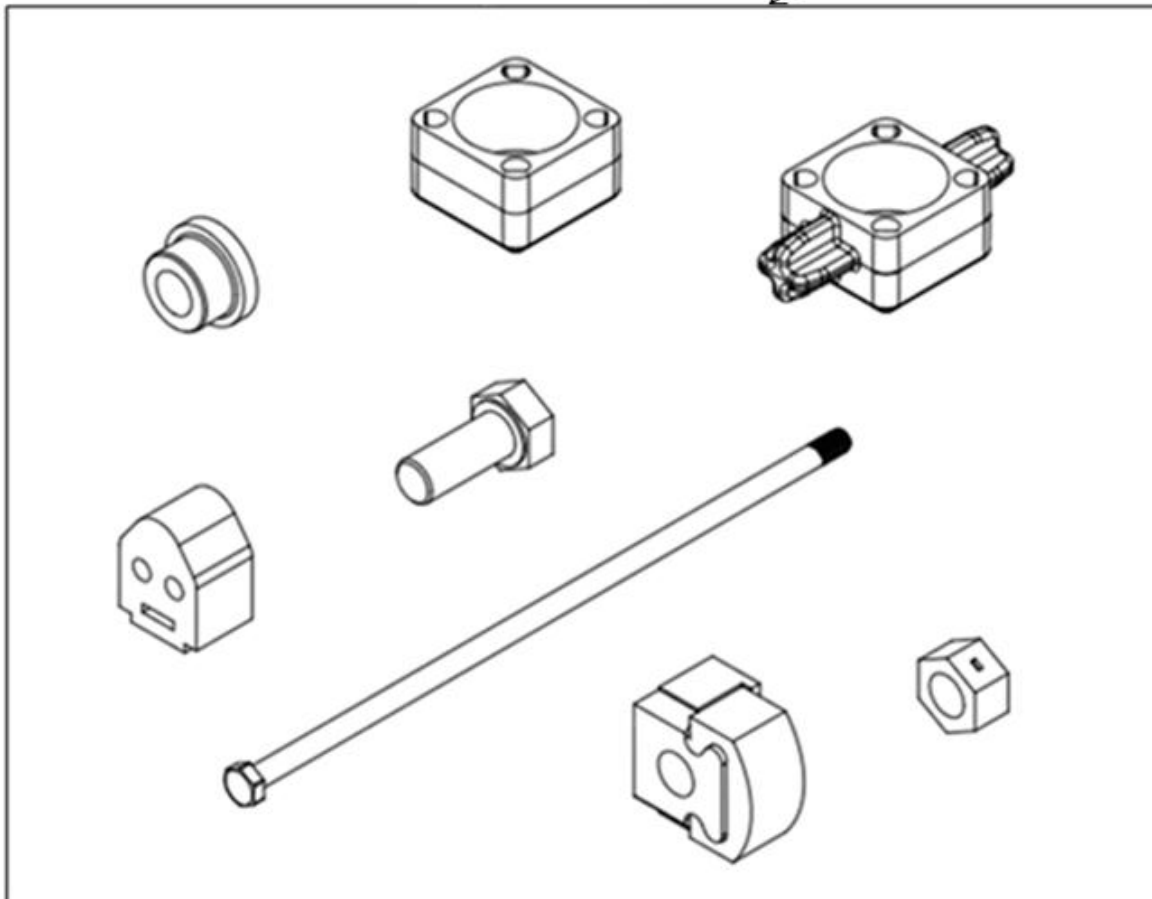


WR CORE HI PRO SUSPENSION
ASSEMBLY KIT



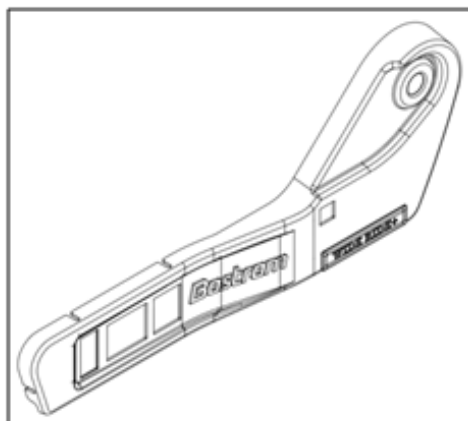
HEATER BACKFOAM KIT

38



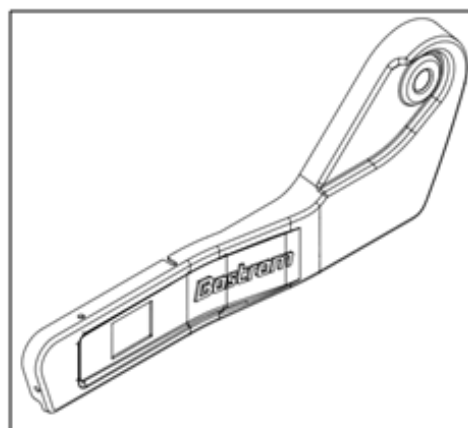
WIDE RIDE CORE/PLUS SUSPENSION HARDWARE KIT

36

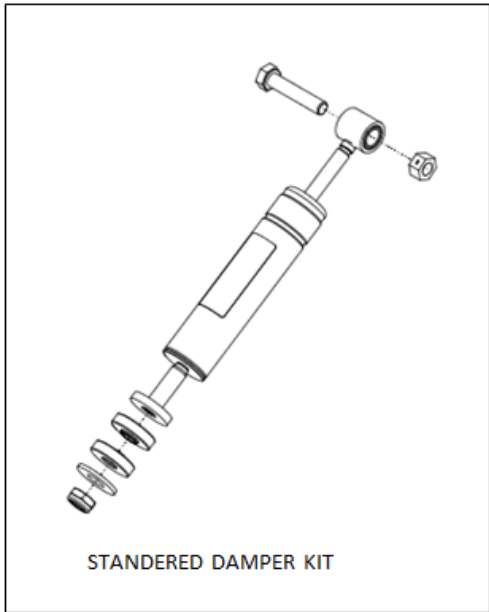


HEAT/VENT SIDE SHIELD KIT

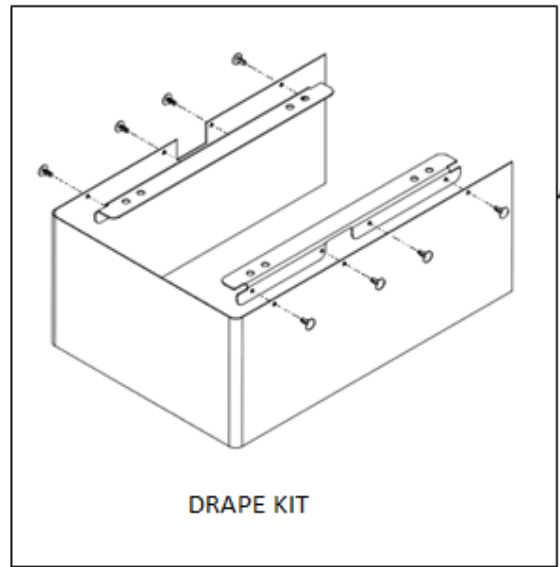
37



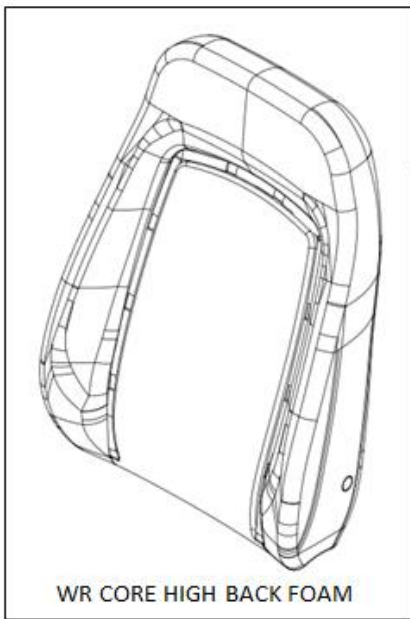
MEMORY SIDE SHIELD KIT



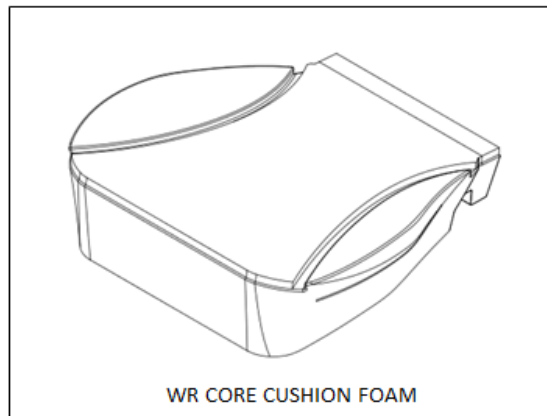
40



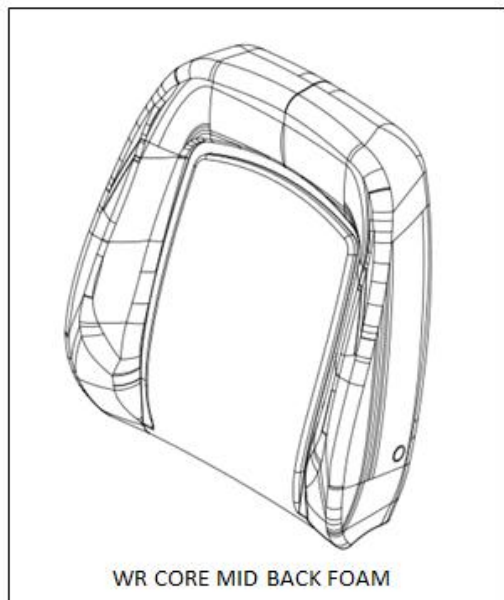
41



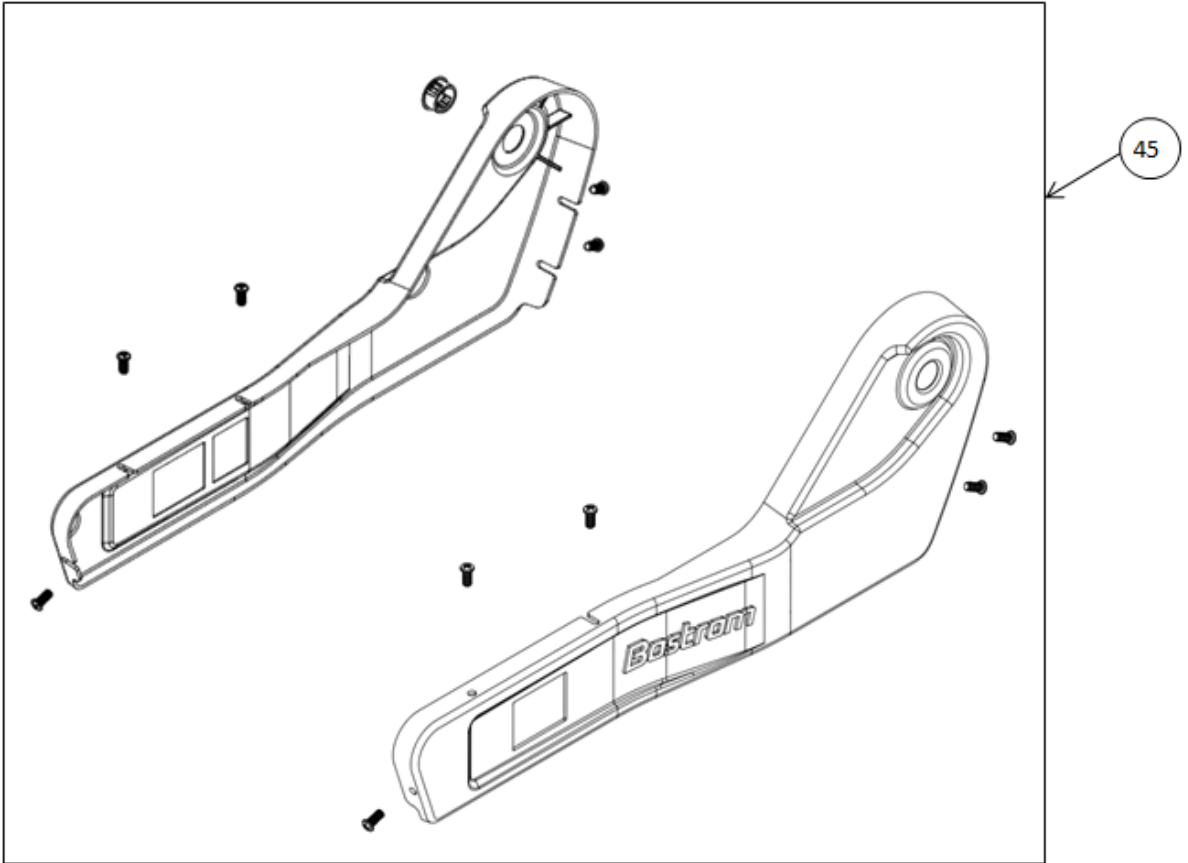
42



43



44



WR CORE SIDE SHIELD KIT

ILLUSTRATED PARTS BREAKDOWN

ITEM NO.	DESCRIPTION	PART NUMBER
1	WR PLUS HIGH PROFILE SUSP W/ ISOLATION ASSEMBLY KIT	2421700-003
2	TRACK ASSEMBLY KIT	6222288-001
3	DRIVER/PASSENGER SWIVEL ASSEMBLY KIT	6222289-001/002
4	SUSPENSION COVER KIT	6222290-001
5	WR PLUS HIGH BACK FOAM ASSEMBLY KIT	6224840-XXX
6	HIGH BACK FRAME ASSEMBLY KIT	6222291-001
7	CUSHION FRAME SUPPORT ASSEMBLY KIT	6222292-001
8	CUSHION FRAME ASSEMBLY KIT	6222293-001
9	WR PLUS CUSHION FOAM ASSEMBLY KIT	6224725-XXX
10	LUMBAR W/ BACK CYCLER KIT	6222294-001
11	RECLINER ASSEMBLY KIT	6222295-001
12	RECLINER STOP ASSEMBLY KIT	6222296-001
13	TILT KNOB KIT	6222297-001
14	WR PLUS SIDE SHIELD KIT	6222298-001
15	RECLINER HANDLE KIT	6204484-001
16	VALVES AND MANIFOLD KIT	6222299-001
17	WR PLUS MID BACK FOAM ASSEMBLY KIT	6224841-XXX
18	MID BACK FRAME ASSEMBLY KIT	6222316-001
19	ARMREST ASSEMBLY KIT	1234480-XXX
20	ARMREST ATTACHMENT HARDWARE KIT	6222117-001
21	SCISSOR AND ISOLATOR ASSEMBLY KIT	6222315-001
22	2 INCH RISER ASSEMBLY KIT	6222319-001
23	ADJUSTABLE SHOCK ABSORBER ASSEMBLY KIT	6222311-001
24	AIR SPRING ASSEMBLY KIT	6222318-001
25	SEAT CONTROL CABLE WITH BRACKET ASSEMBLY KIT	6222312-001
26	WR PLUS HIGH PROFILE SUSP W/O ISOLATION ASSEMBLY KIT	2421701-002
27	WR PLUS LOW PROFILE SUSP W/ ISOLATION ASSEMBLY KIT	2321263-003
28	WR PLUS LOW PROFILE SUSP W/O ISOLATION ASSEMBLY KIT	2321264-002
29	SCISSOR AND NON ISOLATOR ASSEMBLY KIT	6222313-001
30	LOW BASE PLATE ASSEMBLY KIT	6222314-001
31	HEAT AND VENT ASSEMBLY KIT	6222327-001
32	WR PLUS HEAT/VENT FOAM KIT	6222342-001
33	MEMORY VALVE KIT	6222343-001
34	WR CORE SUS AY HIPRO MEMORY	2421700-006
35	ISOLATOR LOCKOUT KNOB KIT	6222328-001
36	HEAT/VENT SIDE SHIELD KIT	6204801-004
37	MEMORY SIDE SHIELD KIT	6205171-002

ILLUSTRATED PARTS BREAKDOWN

ITEM NO.	DESCRIPTION	PART NUMBER
38	WR CORE/PLUS SUSPENSION HARDWARE KIT	6222340-001
39	HEATER BACKFOAM KIT	6222339-XXX
40	STANDARD DAMPER KIT	6222358-001
41	DRAPE KIT	6222361-001
42	WR CORE HIGH BACK FOAM	6224846-XXX
43	WR CORE CUSHION FOAM	6224735-XXX
44	WR CORE MID BACK FOAM	6224847-XXX
45	WR CORE SIDE SHIELD KIT	6222360-001
46	WR CORE SUSPENSION HIGH PRO	2421700-005
47	WR CORE SUSPENSION LOW PRO	2321263-005
48	WR CORE MEMORY SUSP LOW PRO	2321263-006