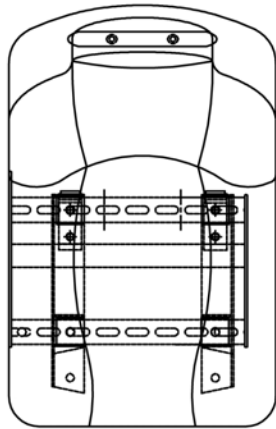


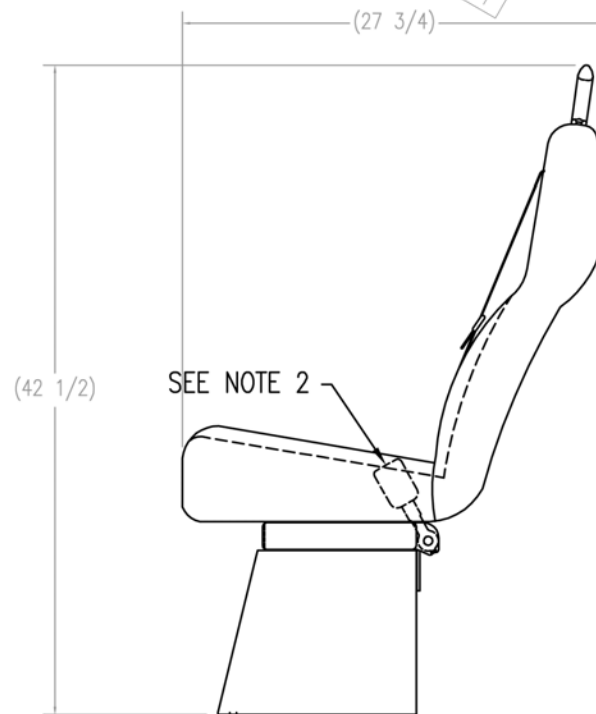
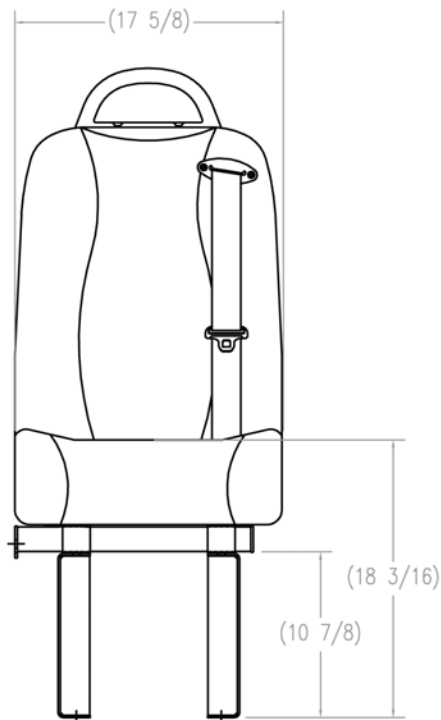
MID HI SEAT ASSY (CURB SIDE) IS SHOWN

				ADD NOTE 8 & 9; WAS 6.5 FT-LBS			Tolerance Unless Otherwise Specified		Material:			
				WAS 453124; ADD 99324; UPDATE			FRAC. 1/X ±1/32		Specifications:		Part Name	
				BASEFRAME; UPDATE INSTRUCTIONS			DECIMAL .XX ±0.02"		Drawn by: vb		INSTRUCTION, ASSY, 2PL, 3PT	
				RELEASE TO PRODUCTION			ANGULAR ±1'		Date: 12/03/03		Drawing No.	
B WAS QTY 16; WAS 9422300, 9414074				A							DO NOT SCALE DRAWING	
Rev. Level Description of Change				By Date ECN #			By Date ECN #				25854	
											Rev. B	

NOTE(S): 1) DIMENSIONS ARE REFERENCE ONLY.  
2) SEAT BUCKLE SHOWN IN SIDE VIEW ONLY.



NON CONTROLLED DOCUMENT



				Tolerance Unless Otherwise Specified				Material:					
				FRAC. 1/X ±1/32				Specifications:					
				DECIMAL .XX ±0.02"				Part Name ASSY, 1PL SS SEAT, 3PT RIGID, MID HI					
				ANGULAR ±1'				Drawn by: MW		Date: 08/02/04		Drawing No.	
				DO NOT SCALE DRAWING				Rev.					
Rev. Level	Description of Change	By	Date	ECN #	Rev. Level	Description of Change	By	Date	ECN #				