

**THE
CABINET
STORE**

ATTENTION INSTALLER:
Please leave this information with owner

STONE COUNTERTOP CARE



Stone sealer is a great way to keep your countertop looking its best year after year. **We recommend sealing your countertop with marble sealer once the vanity is installed.** Marble sealer can be purchased from any home building center or tile store.

Natural stone varies in composition, so how often you need to re-seal your countertop will also vary. A good method of determining when to reseal involves pooling water on an area and seeing how the stone reacts. If it seems to darken quickly it is time to reseal. If it takes 10 minutes or more to darken, your stone is fairly well sealed but could use a sealant soon. If the stone fails to darken, you have a very strong stone that will be highly effective against stains. Typically, you will want to seal annually, but doing a simple water test can help you understand where your stone is at.

Applying a sealer is not a very difficult task and you should not be afraid to do it

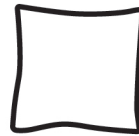
You will need:



Bottle of natural stone sealer



Paper towel or cotton cloths



Hand protection
(Cleaning gloves, plastic throwaways etc.)



Eye protection (Just to be extra safe)

STEP 1

Wipe down and clean the countertop to make sure it is free of any scuff marks, dirt or residue.

STEP 2

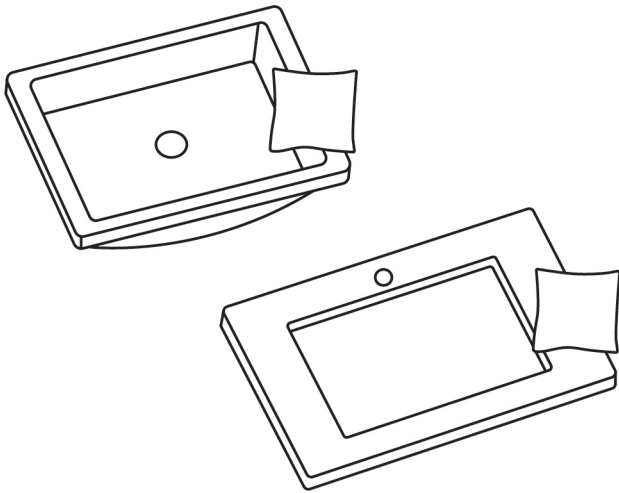
Spray or wipe sealer evenly on the surface of the countertop. Using your paper towel or cloth, spread the sealer all over the countertop, along the edges and under the sink lip. Let sit for 5 minutes. **Do not allow sealer to dry on surface.**

STEP 3

Using a clean paper towel or cloth, buff the countertop removing all excess sealer. Give the countertop 2-3 hours to completely dry. (Make sure to clean any sealer that might have fallen into the sink)

Once the sealant is dry, pool some water on the countertop. If it is beading up off the surface, the stone is well sealed. If the water is still being absorbed, give the stone another coat of sealer.

UNDERMOUNT SINK INSTALLATION



UNPACK AND VERIFY CONTENTS

Single sink

Double sink

1x sink

2x sink

Place countertop upside down on soft surface to prevent scratching.

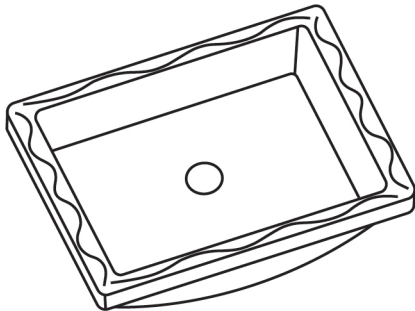
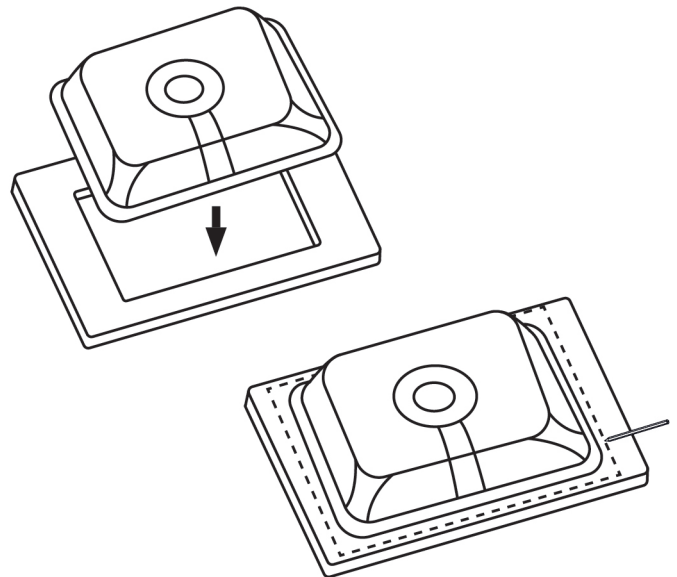
Clean rim of sink and underside of countertop using rubbing alcohol.

CREATE GUIDE

Place sink upside down on countertop, aligning the sink with the opening of the countertop to ensure equal overhang.

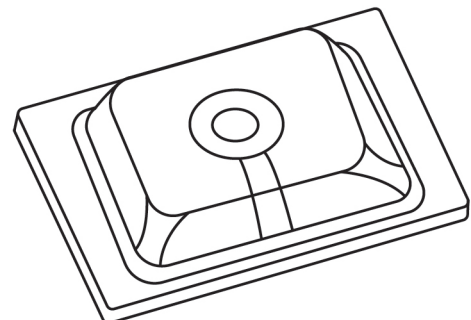
Allow for clearance of any fixtures.

Using a pencil, trace rim of sink to create guide.



APPLY ADHESIVE

Apply 100% silicone adhesive to rim of sink.



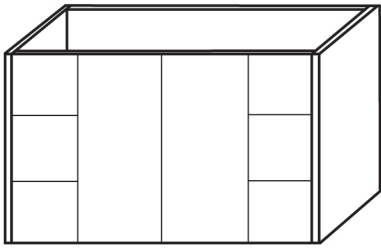
ATTACH SINK

Carefully position sink on underside of countertop according to guide. Overflow drain should be situated towards leading edge of countertop (away from faucet).

Wipe away excess silicone from inner and outer edges of sink rim. Please allow 12 hours for silicone to fully cure before installing countertop to cabinet.

Note: Installation to be performed in well-ventilated area with necessary safety equipment such as eye protection and gloves. Follow manufacturer's guidelines for any chemicals used. Installation to be performed by professional.

FLOOR MOUNT VANITY INSTALLATION



Vanity base



Feet



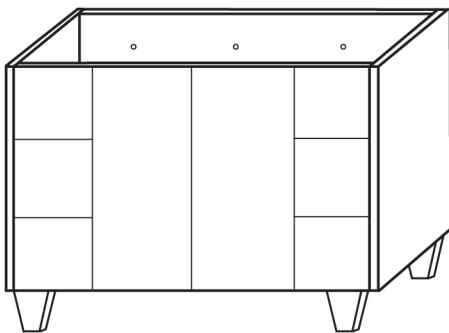
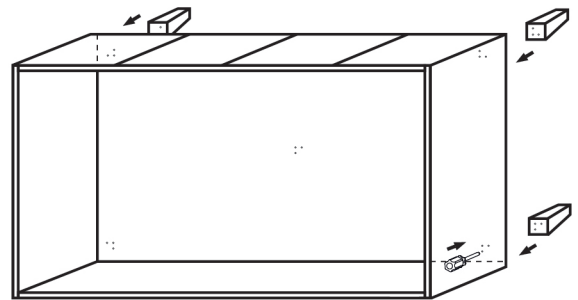
Countertop and
backsplash

ATTACH FEET

Lay vanity base on its back, on a soft surface to prevent damage.

Secure feet in all four corners of vanity using predrilled holes.

Secure foot to center of vanity if applicable. (48", 60" and 72" vanities only)



SECURE VANITY TO WALL

Carefully lift vanity base upright and place against wall.

Firmly attach to wall studs or other in-wall reinforcements.

ATTACH COUNTERTOP

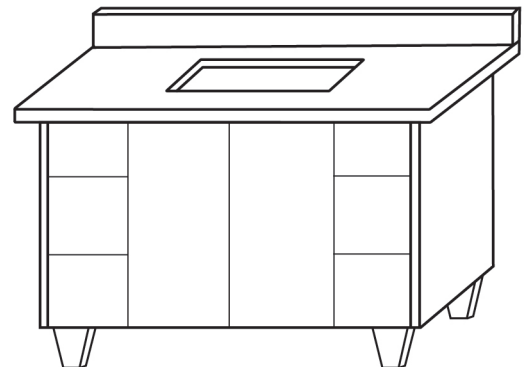
Apply clear silicone sparingly along top edge of vanity.

Carefully lower countertop onto vanity, ensuring equal overhang of edges.

Wipe away any excess silicone from inner and outer edges.

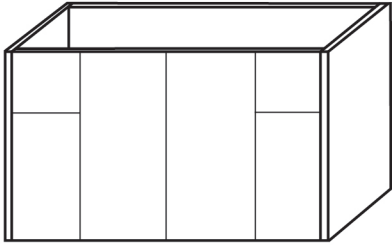
Apply clear silicone sparingly to backside of backsplash and press against wall, lining up with countertop edges.

Wipe away any excess silicone.

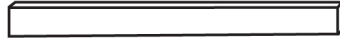


Images above are for instructional purposes only, actual product may differ in size and style

WALL MOUNT VANITY INSTALLATION



Vanity base



Support bracket



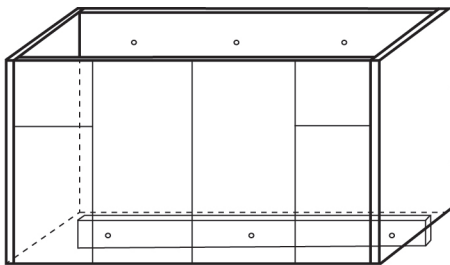
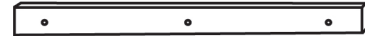
Countertop and backsplash

HANG SUPPORT BRACKET

Place support bracket horizontally underneath desired vanity location.

Level, position and firmly attach to wall studs or other in-wall reinforcements.

Drywall alone is NOT sufficient to support wall hung vanities.



SECURE VANITY TO WALL

Lift vanity and carefully rest on support bracket while securing to wall.

Firmly attach vanity to wall studs or other in-wall reinforcements.

ATTACH COUNTERTOP

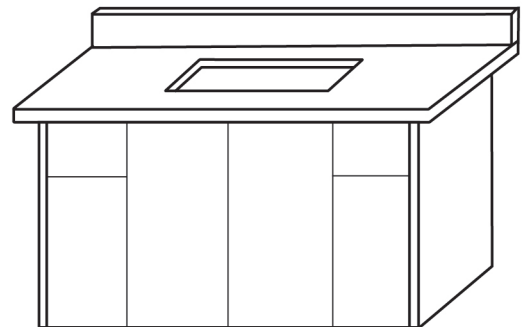
Apply clear silicone sparingly along top edge of vanity.

Carefully lower countertop onto vanity, ensuring equal overhang of edges.

Wipe away any excess silicone from inner and outer edges.

Apply clear silicone sparingly to backside of backsplash and press against wall, lining up with countertop edges.

Wipe away any excess silicone.



Images above are for instructional purposes only, actual product may differ in size and style