

ASSEMBLY INSTRUCTIONS

RESIN GARDEN SHED

SKU: T-PS23-0404-812BG

BE
YOUR
LIFE BUILDER

www.patiowell.com



Patiowell
Resin Garden House
Installation Tutorial
[https://www.patiowell.com
pages/video-T-PS23-0404-812BG](https://www.patiowell.com/pages/video-T-PS23-0404-812BG)

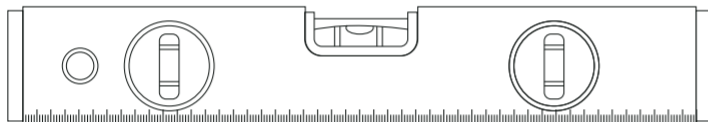
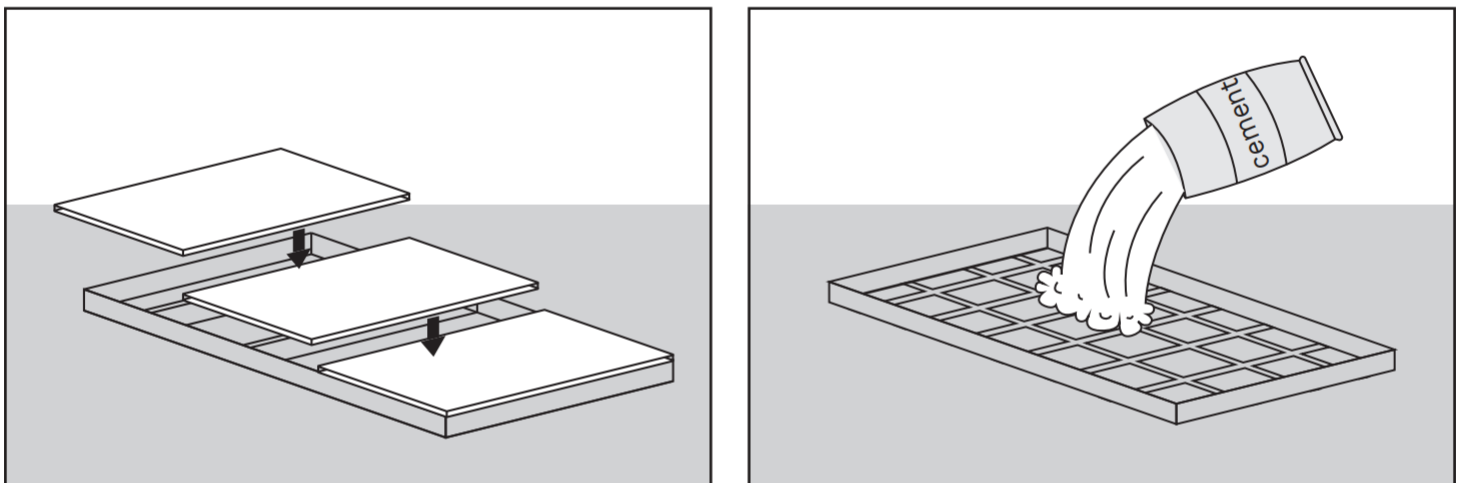
 saleservice@patiowell.com

SITE PREPARATION

Level the ground surface.



Recommendation: Construct a wooden or concrete base as a foundation.



Before installation, please measure the ground with a tool and make sure the ground is level before installation.

BEFORE STARTING ASSEMBLY

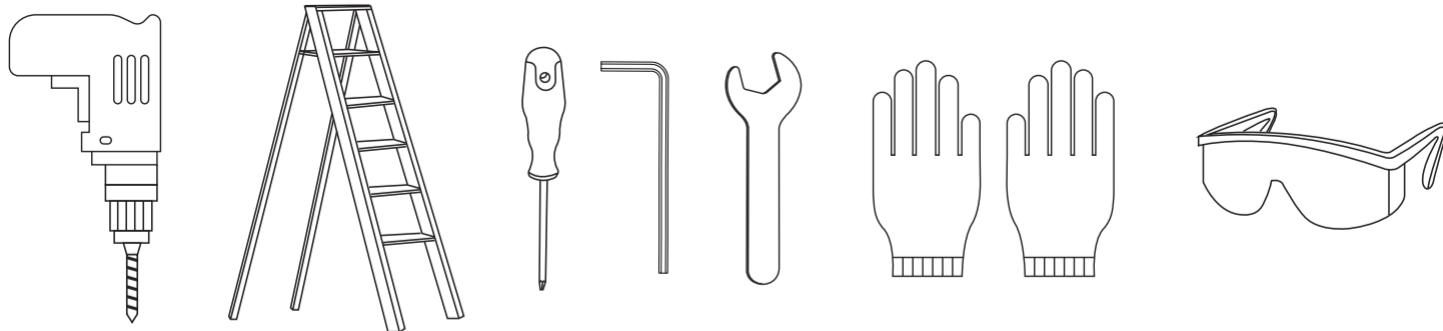
Remove all of the pieces from the 7 packages and spread them out on the ground. Before installation, please check the type and quantity of parts first.

It is recommended to use a clean work surface to spread the parts out and for pre-assembly steps. Review all instructions before you begin, continue to refer to instructions during assembly.

Be sure to follow all steps thoroughly.

Please prepare these components in advance at the beginning of each stage.

REQUIRED TOOLS



CAUTION

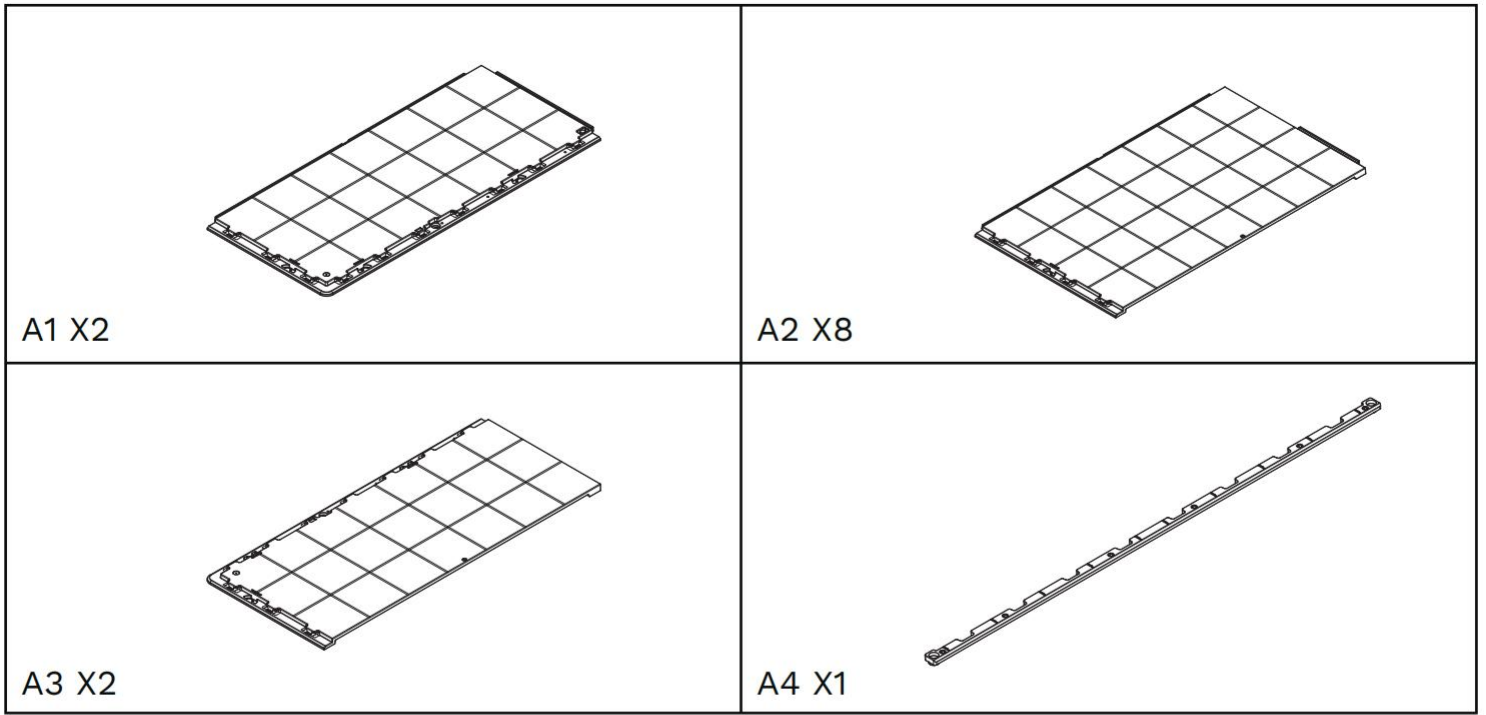
Some parts have steel edges. Please be careful when handling components. Always wear work gloves, eye protection and long sleeves when assembling or performing any maintenance on your shed. Do not attempt assembly on days with strong winds or low temperatures.



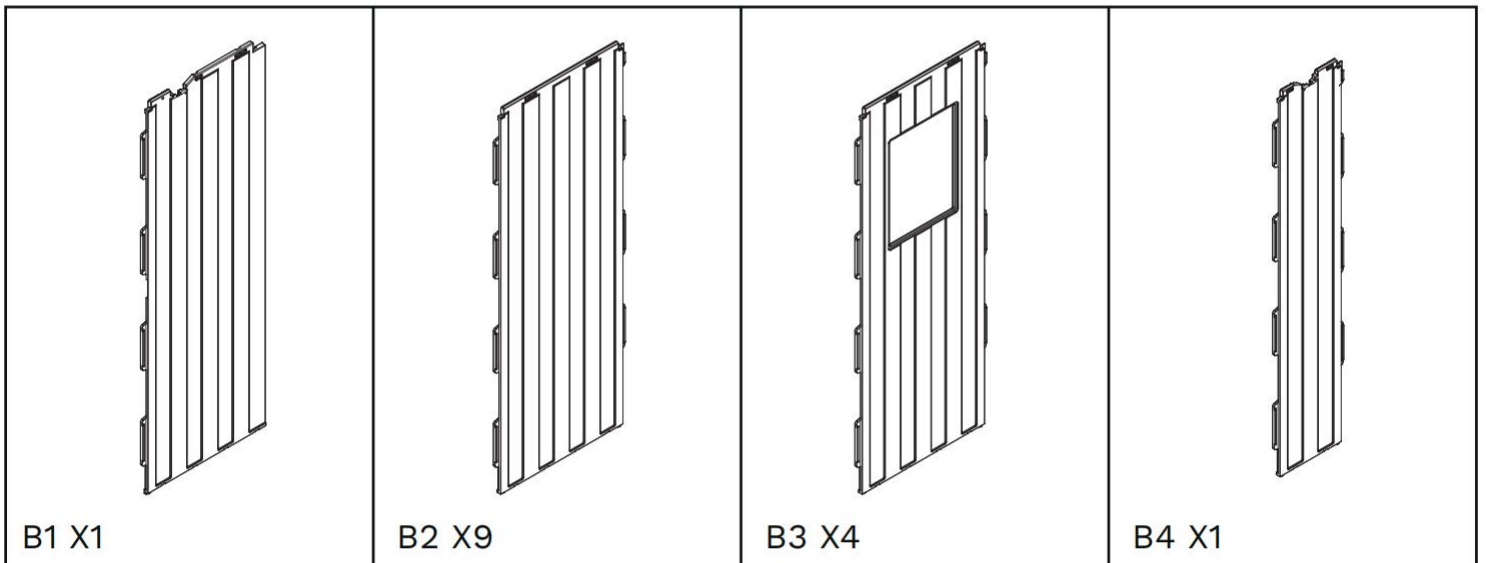
Requires two people and takes 3-4 hours for installation. Recommended to wear gloves to avoid scratches. Please read the manual carefully before installation.

**DO NOT RETURN YOUR UNIT
TO THE STORE**
Contact us first
saleservice@patiowell.com

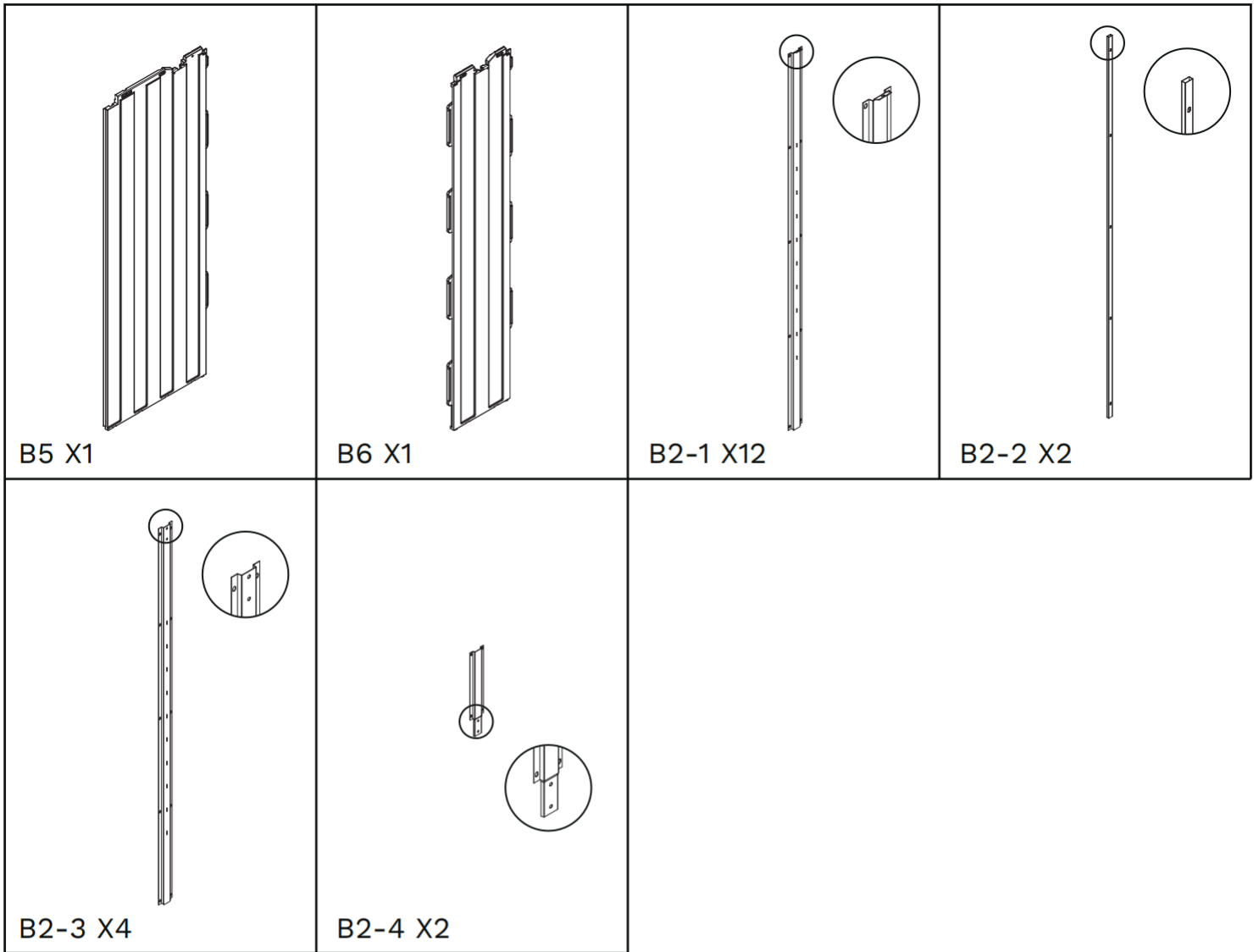
FLOOR PARTS



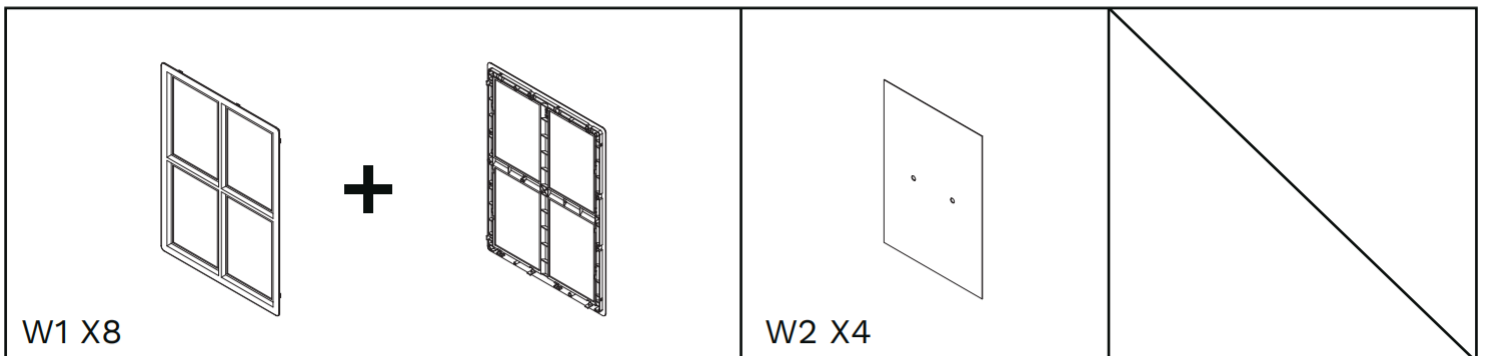
WALL PARTS



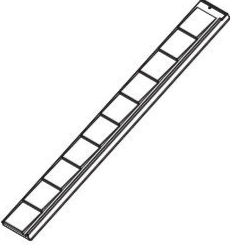
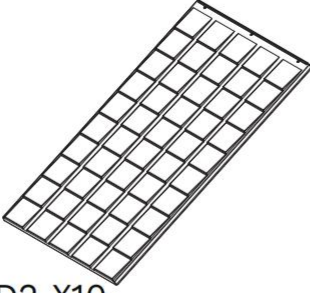



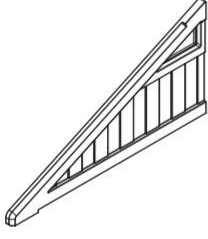



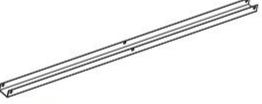




WALL PARTS







WINDOW PARTS



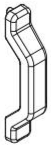










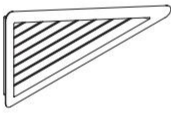
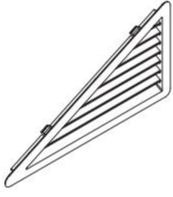




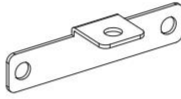
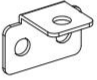


ROOF PARTS

 <p>D1 X2</p>	 <p>D2 X10</p>	 <p>D3 X2</p>	 <p>E1 X2</p>  <p>E2 X3</p>
 <p>CL X2</p>	 <p>CR X2</p>	 <p>DD X1</p>	 <p>D2-1 X8</p>
 <p>D2-2 X4</p>	 <p>D2-3 X4</p>	 <p>E1-1 X2</p>	 <p>E2-1 X3</p>
 <p>D2-4 X2</p>			






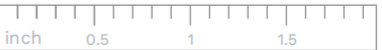









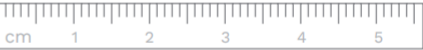











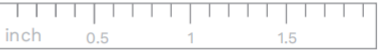
DOOR PARTS

 <p>DL X1</p>	 <p>DR X1</p>	 <p>DF X2</p>	 <p>DZ X2</p>
--	--	---	--

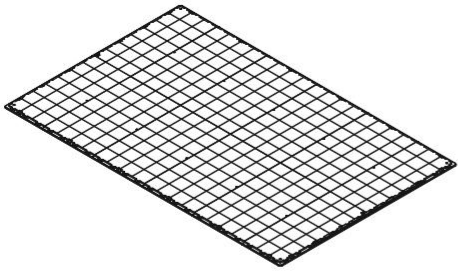
ACCESSORIES

 <p>DH1 X2</p>	 <p>DH2 X2</p>	 <p>DG X2</p>	 <p>+</p>  (3pcs) M4*10  <p>+</p>  (4pcs) M4*16 <p>DS X1</p>
 <p>DC X1</p>	 <p>DDZ X2</p>	 <p>E3 X2</p>	 <p>E4 X4</p>
 <p>CRI X2</p>	 <p>CLI X2</p>	 <p>D4 X16</p>	 <p>A5 X2</p>
 <p>A1-1 X1</p>	 <p>B1-1 X2</p>	 <p>D2-5 X2</p>	 <p>D2-6 X8</p>
 <p>M6 X59</p>	 <p>Z6 X12</p>		

SCREW

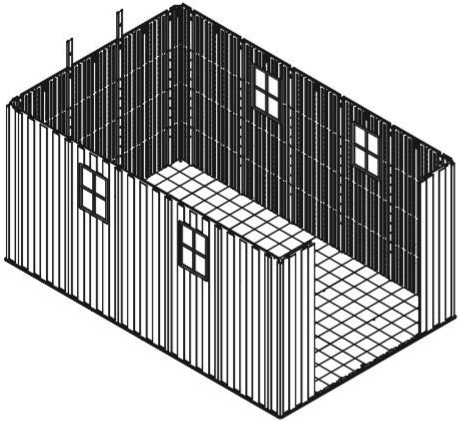
 <p>192 pcs</p>   <p>SP6-15 M6*15</p>	 <p>228 pcs</p>   <p>SP6-20 M6*20</p>
 <p>26 pcs</p>   <p>SP6-25 M6*25</p>	 <p>4 pcs</p>  <p>M6-10 M6*10</p>
 <p>28 pcs</p>   <p>M6-15 M6*15</p>	 <p>26 pcs</p>   <p>M6-55 M6*55</p>
 <p>18 pcs</p>   <p>SPF6-20 M6*20</p>	 <p>2 pcs</p>  <p>SF4-15 M4*15</p>
 <p>11 pcs</p>   <p>M5-8 M5*8</p>	 <p>8 pcs</p>   <p>M5-12 M5*12</p>

CONTENTS



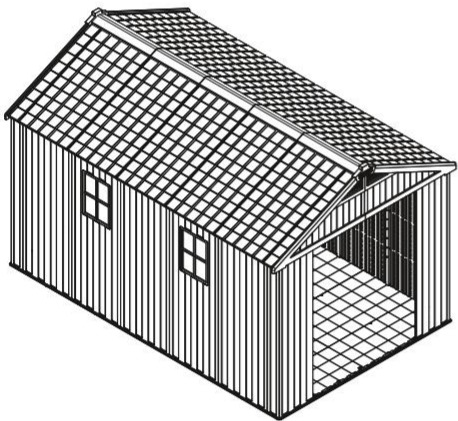
Floor Part Instruction

10-17
(page)



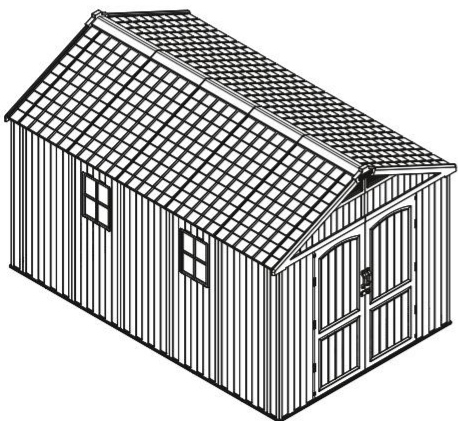
Wall Part Instruction

17-32
(page)



Roof Part Instruction

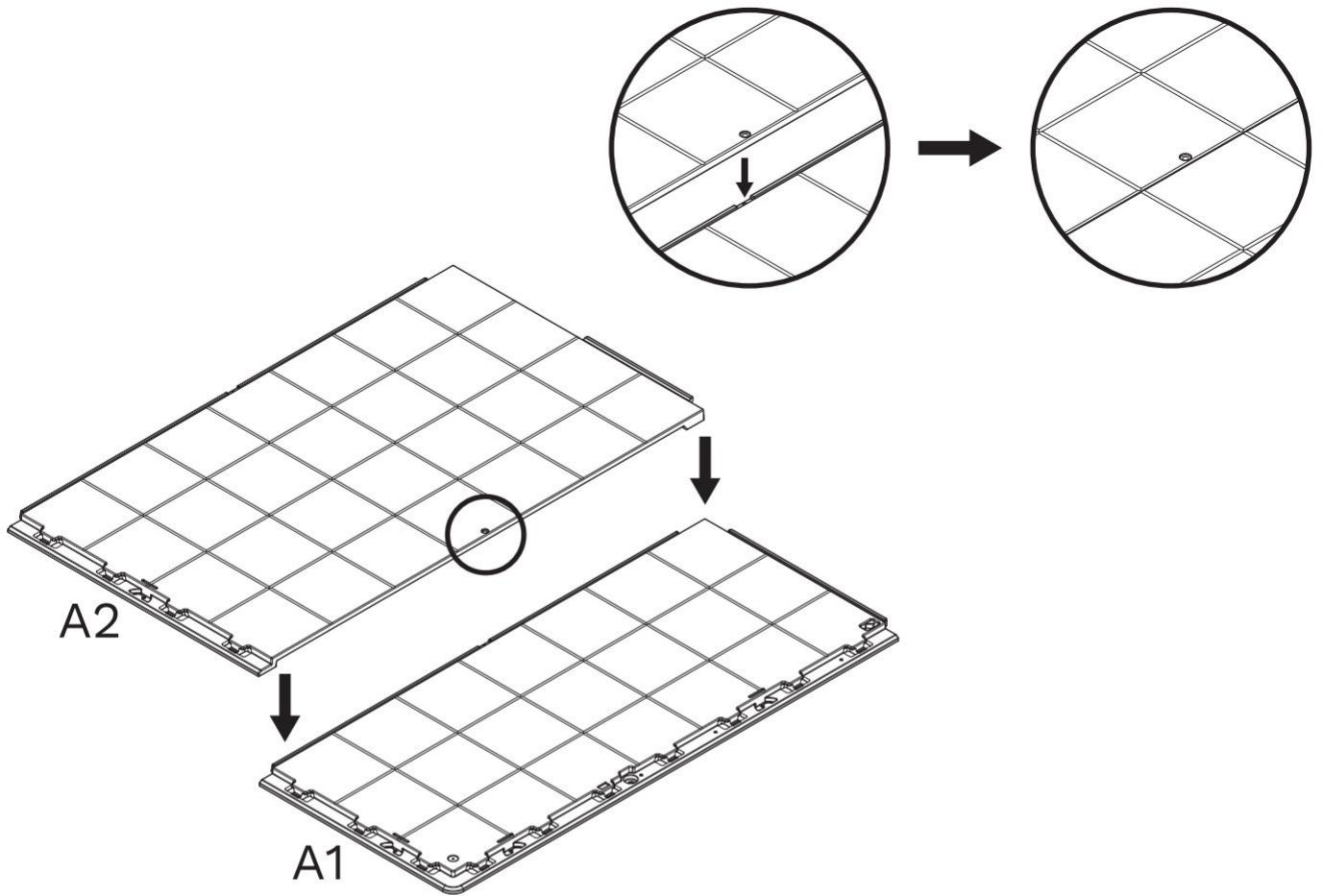
33-45
(page)



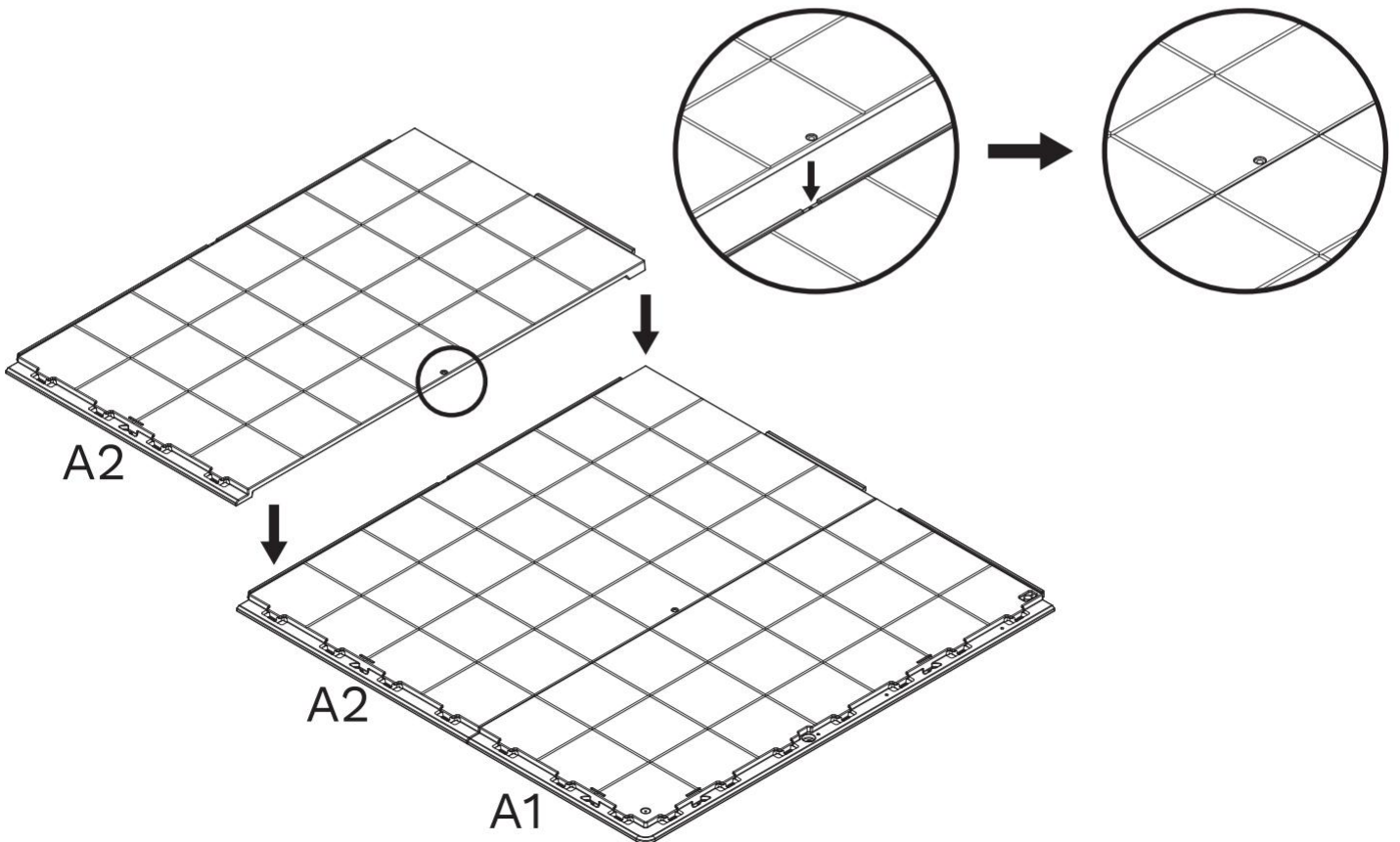
Door Part Instruction

46-50
(page)

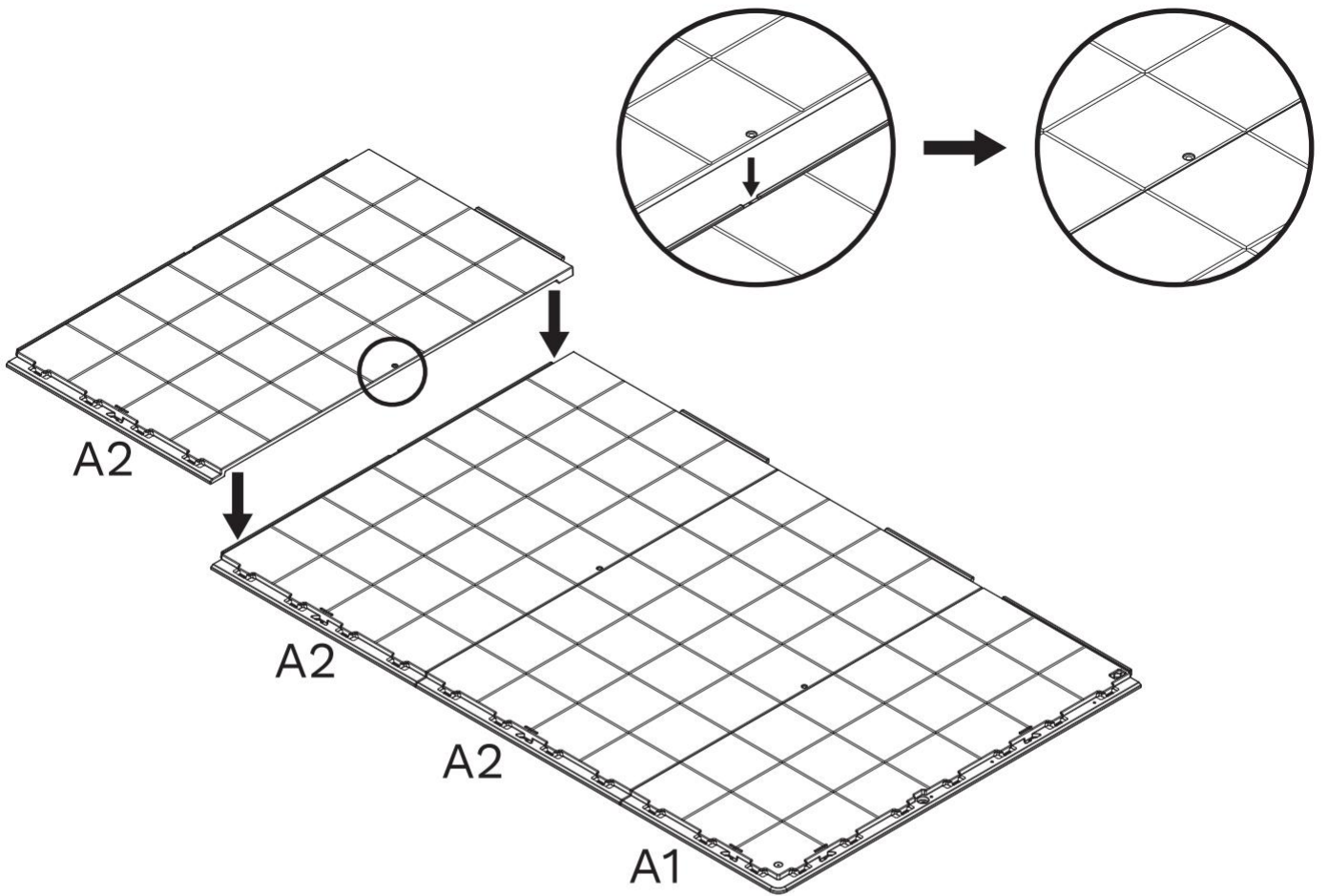
STEP 1



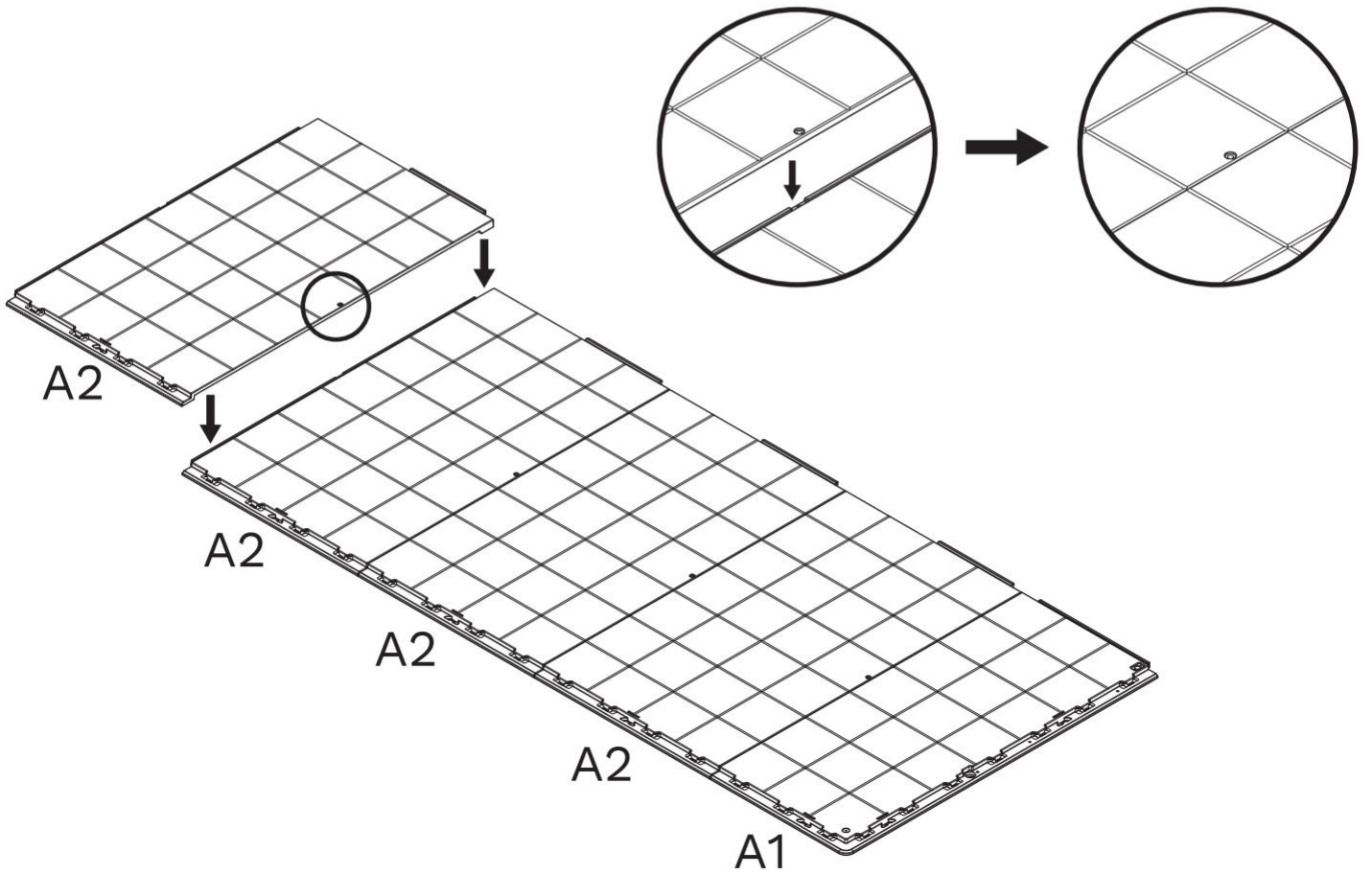
STEP 2



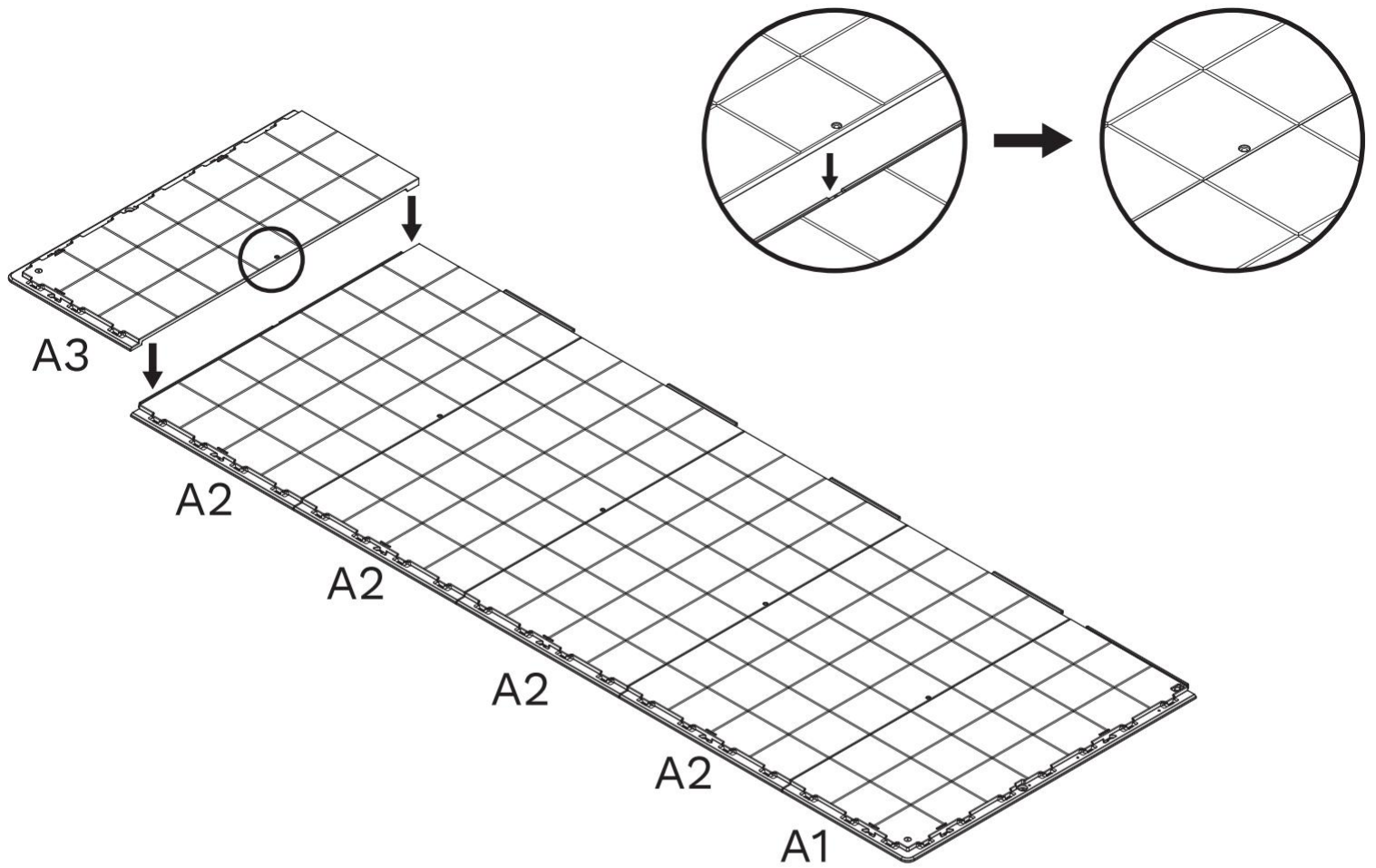
STEP 3



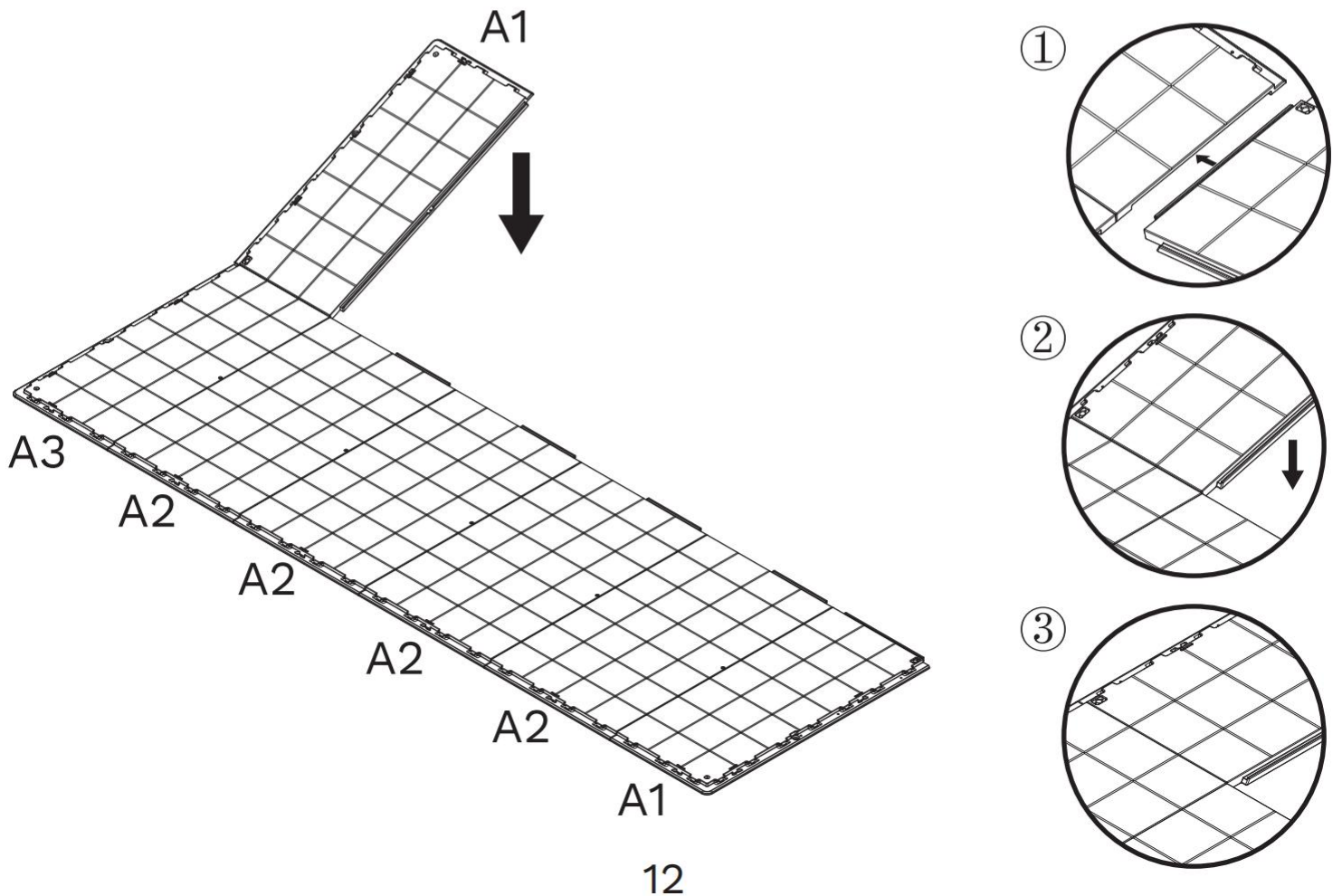
STEP 4



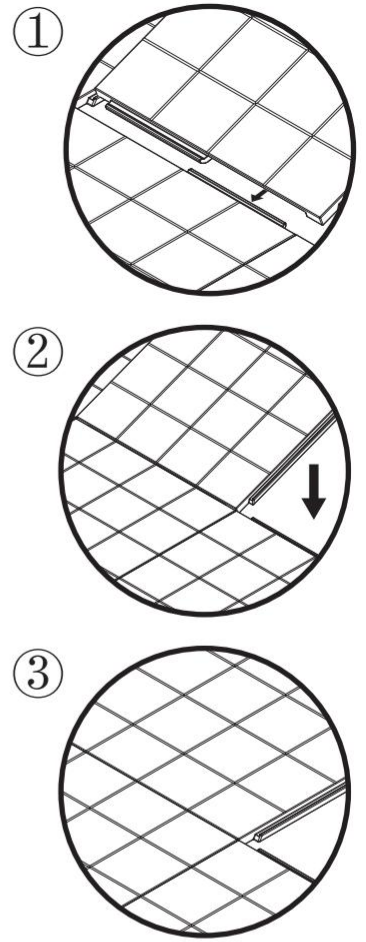
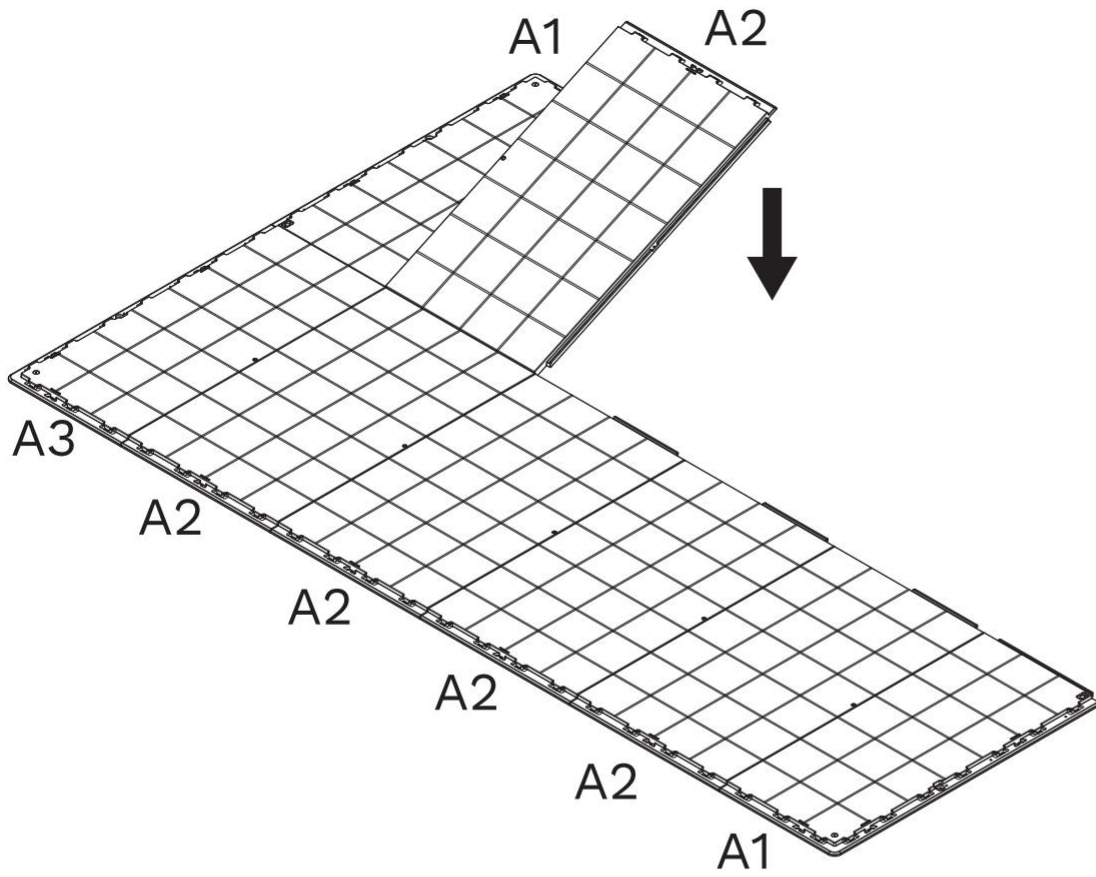
STEP 5



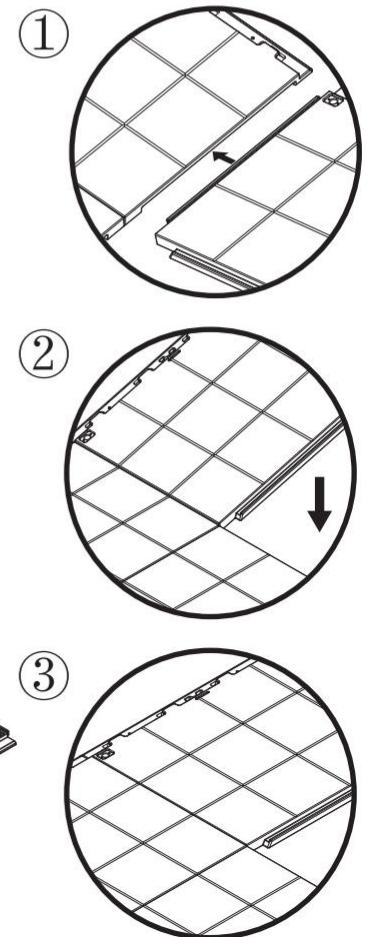
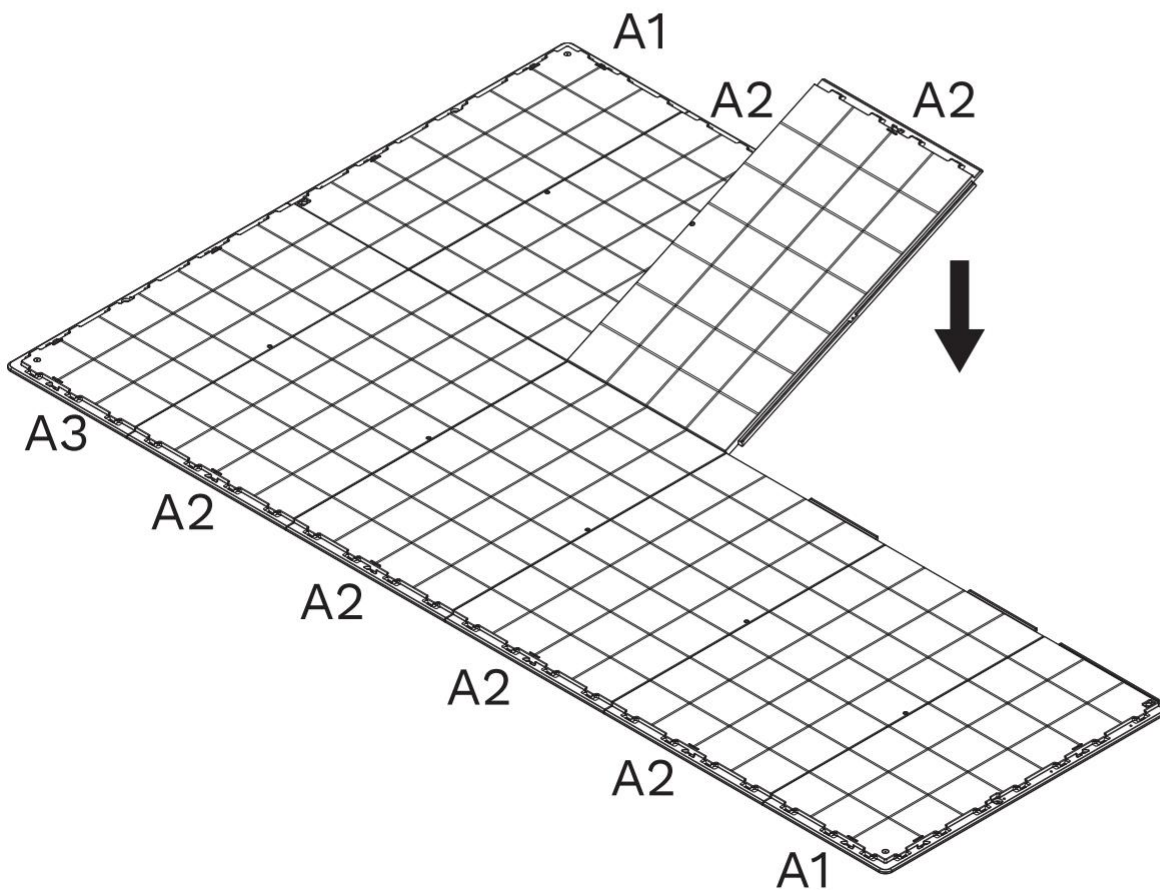
STEP 6



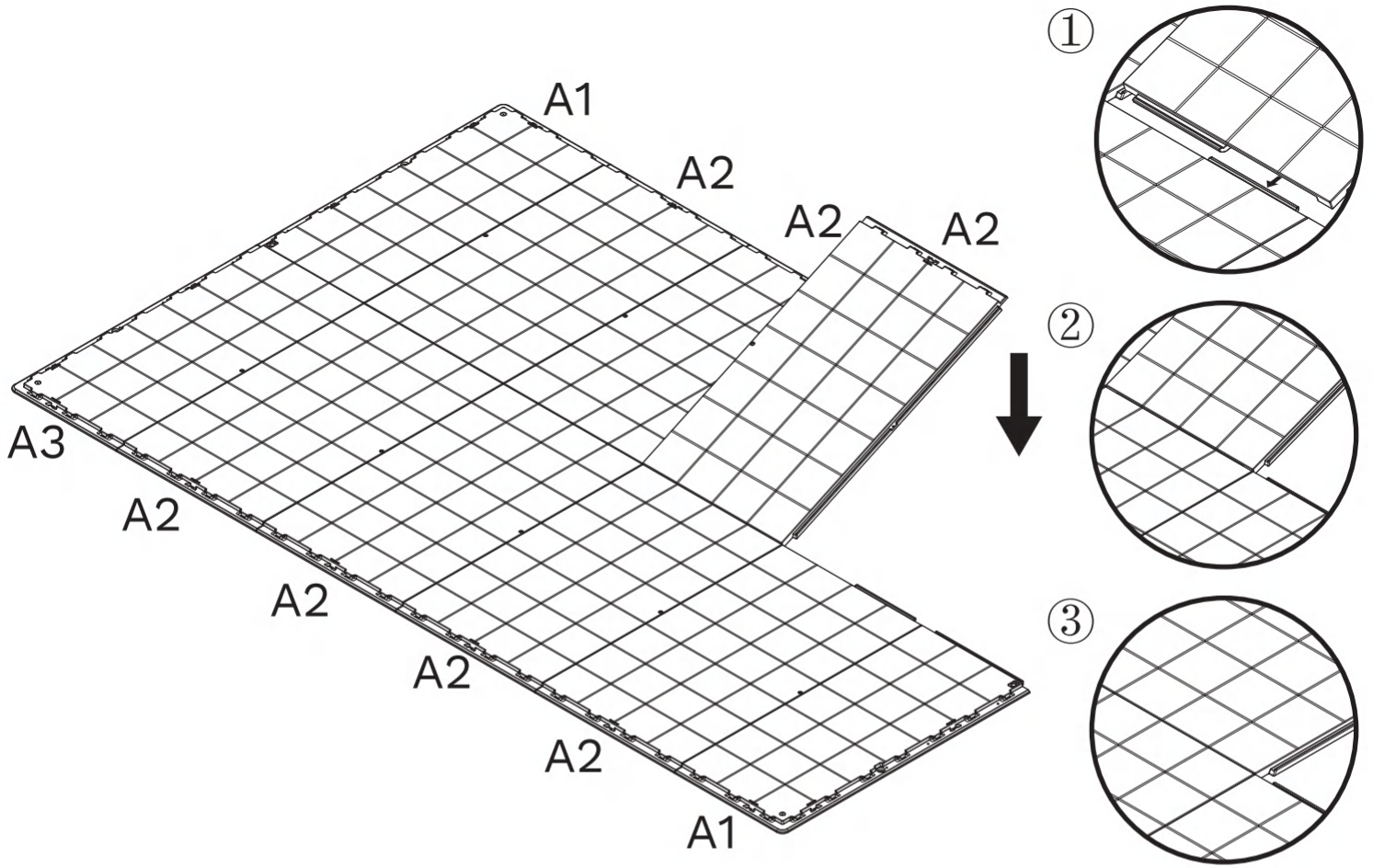
STEP 7



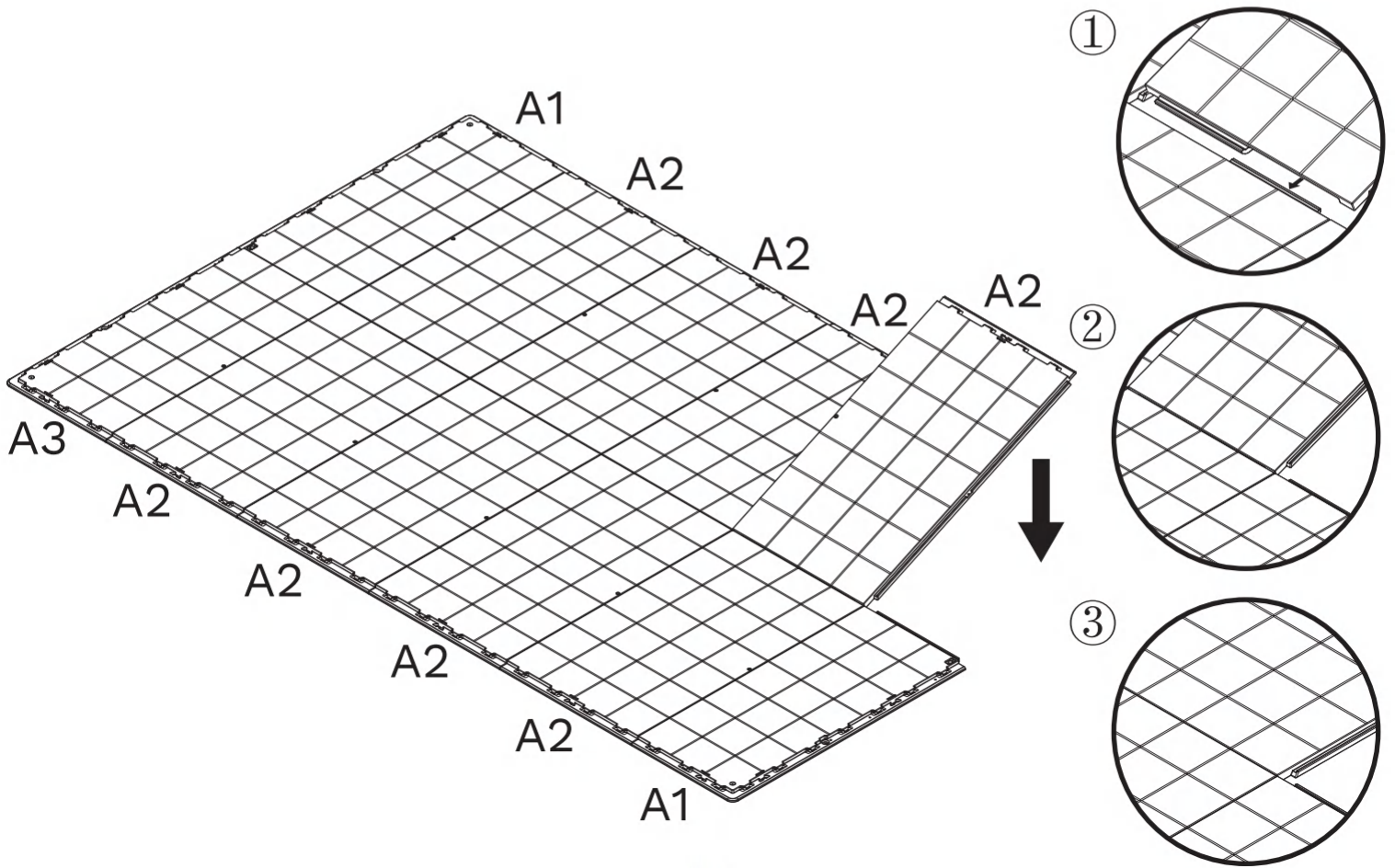
STEP 8



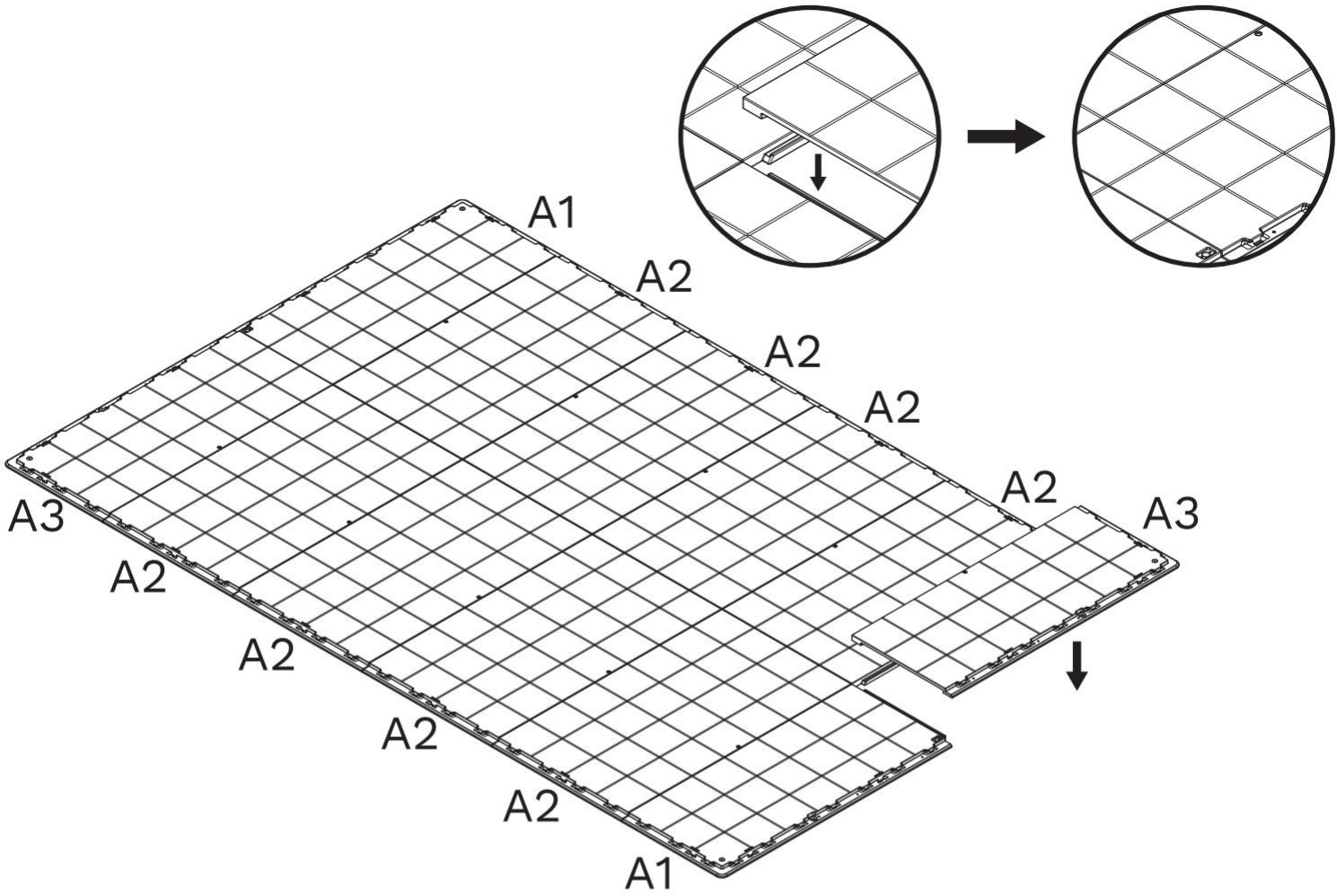
STEP 9



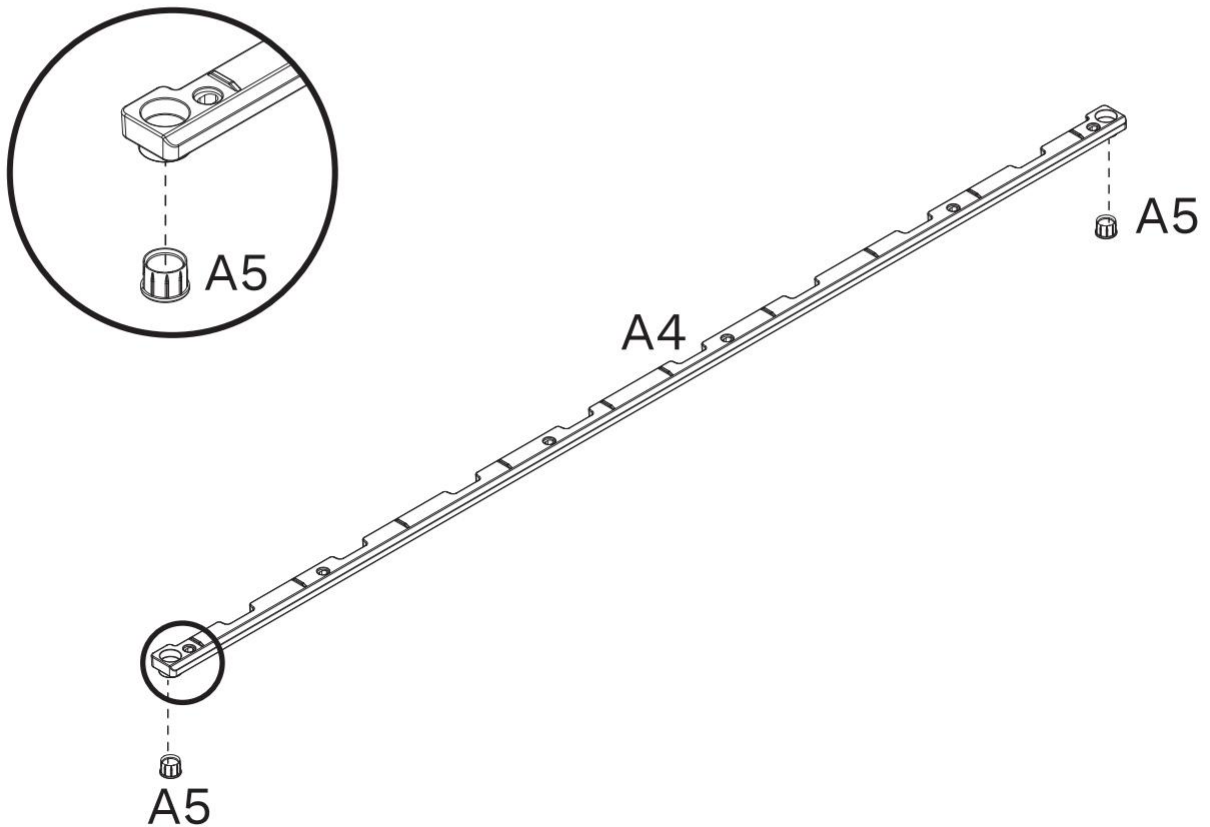
STEP 10



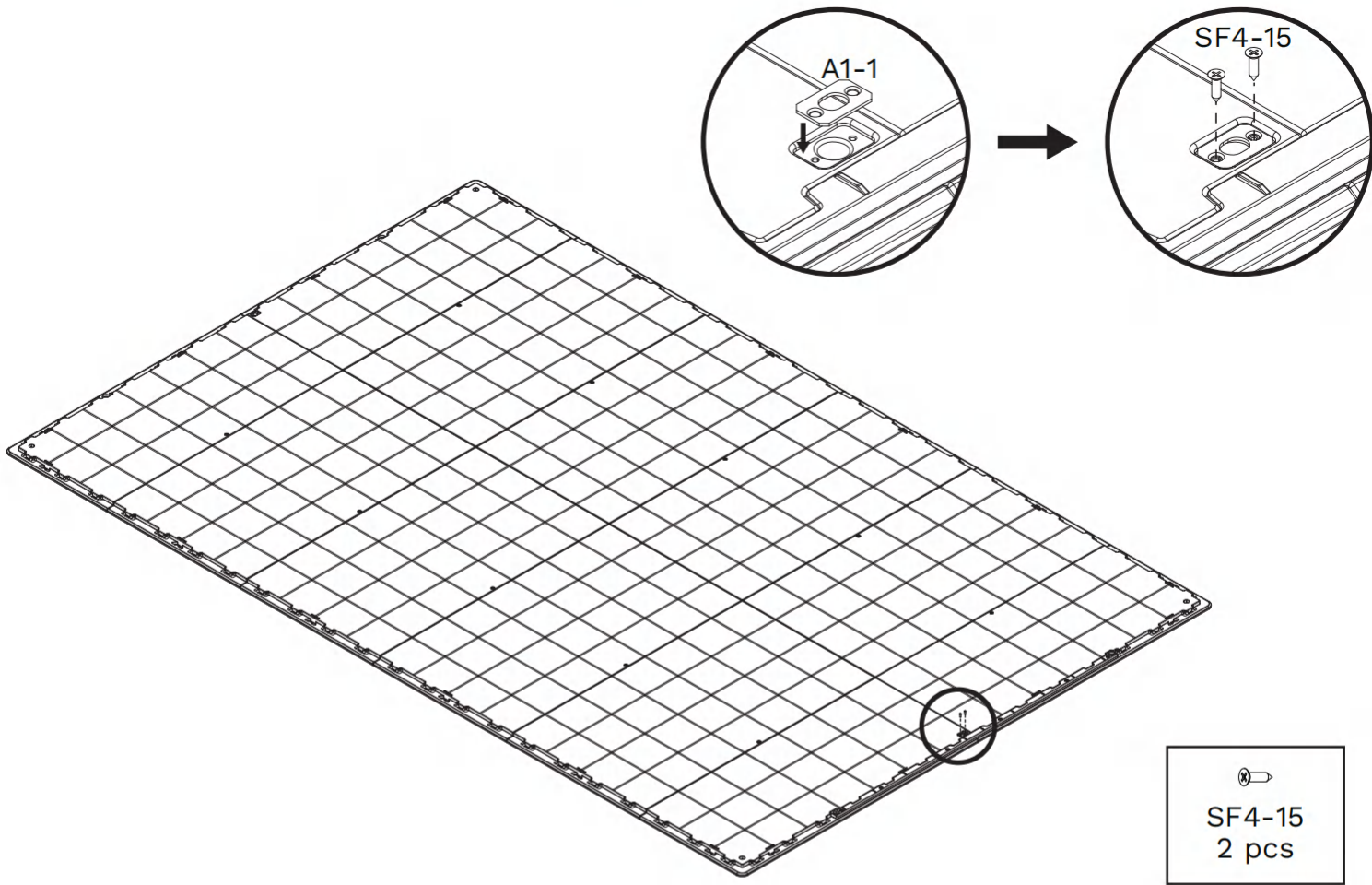
STEP 11



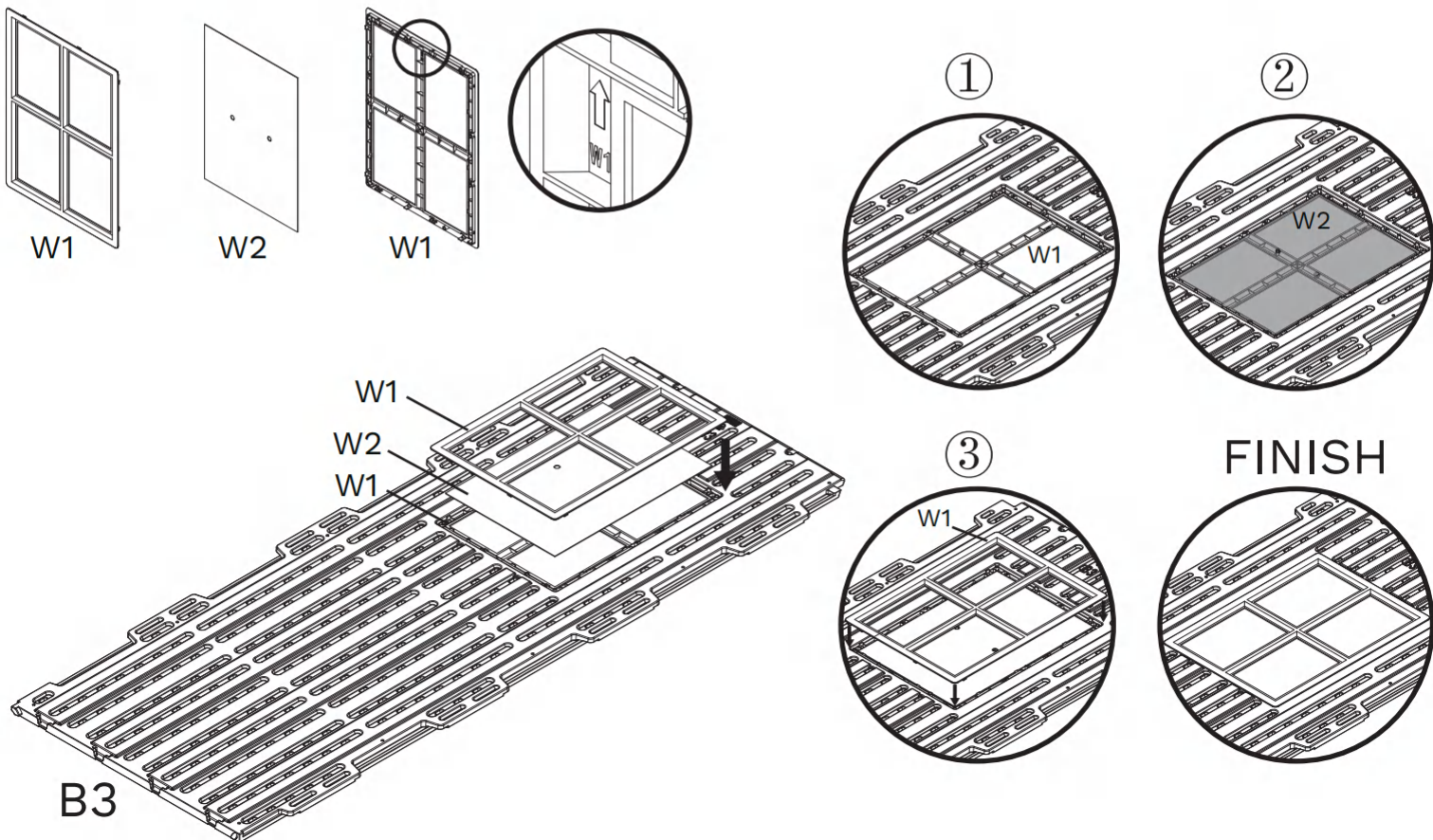
STEP 12



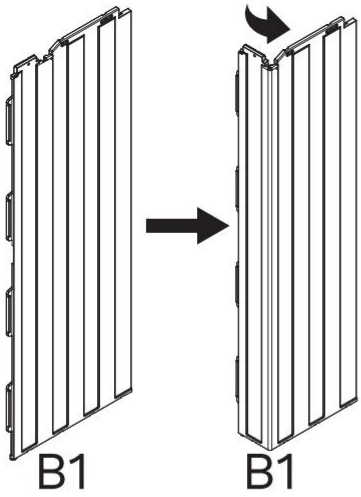
STEP 15



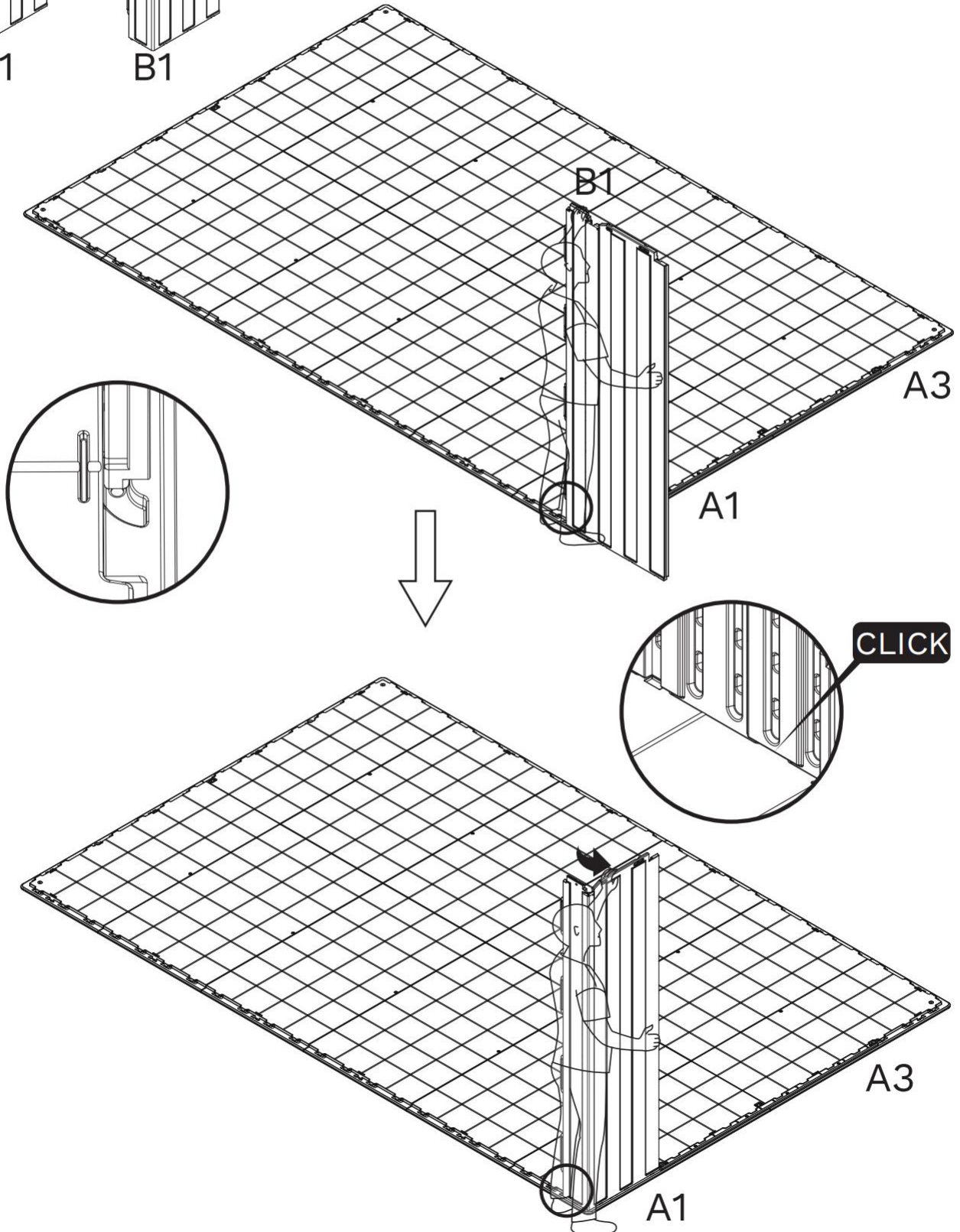
STEP 16



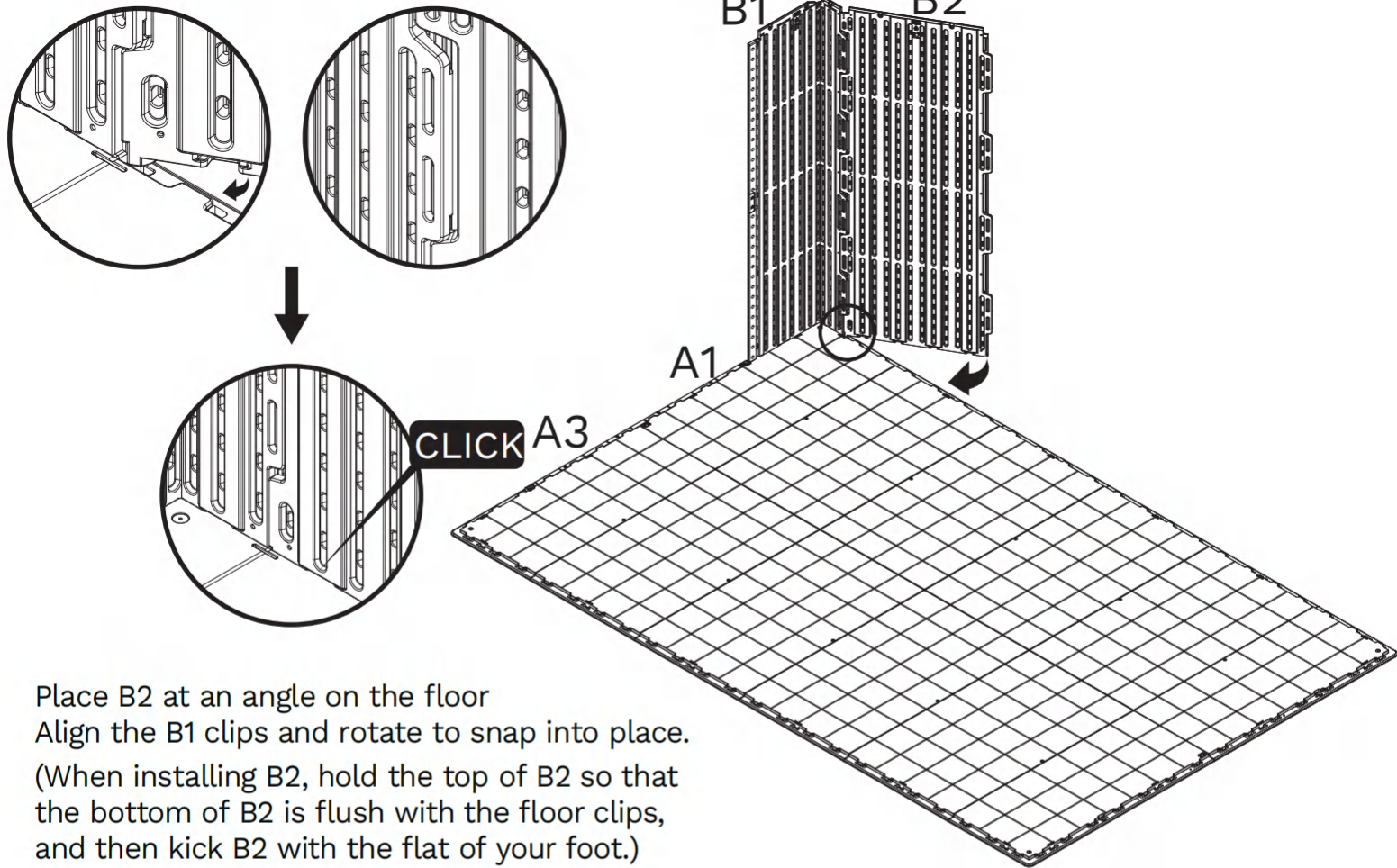
STEP 17



Before installation, please watch the video. Please follow the installation details in the video to avoid product damage. First pre-fold B1, B1 placed in a U-shaped groove on the floor, bend 90 degrees after alignment. (When installing B1, press on the top of B1 so that the clips below B1 are flush with the floor clips. You can use your foot to kick B1 flat.)

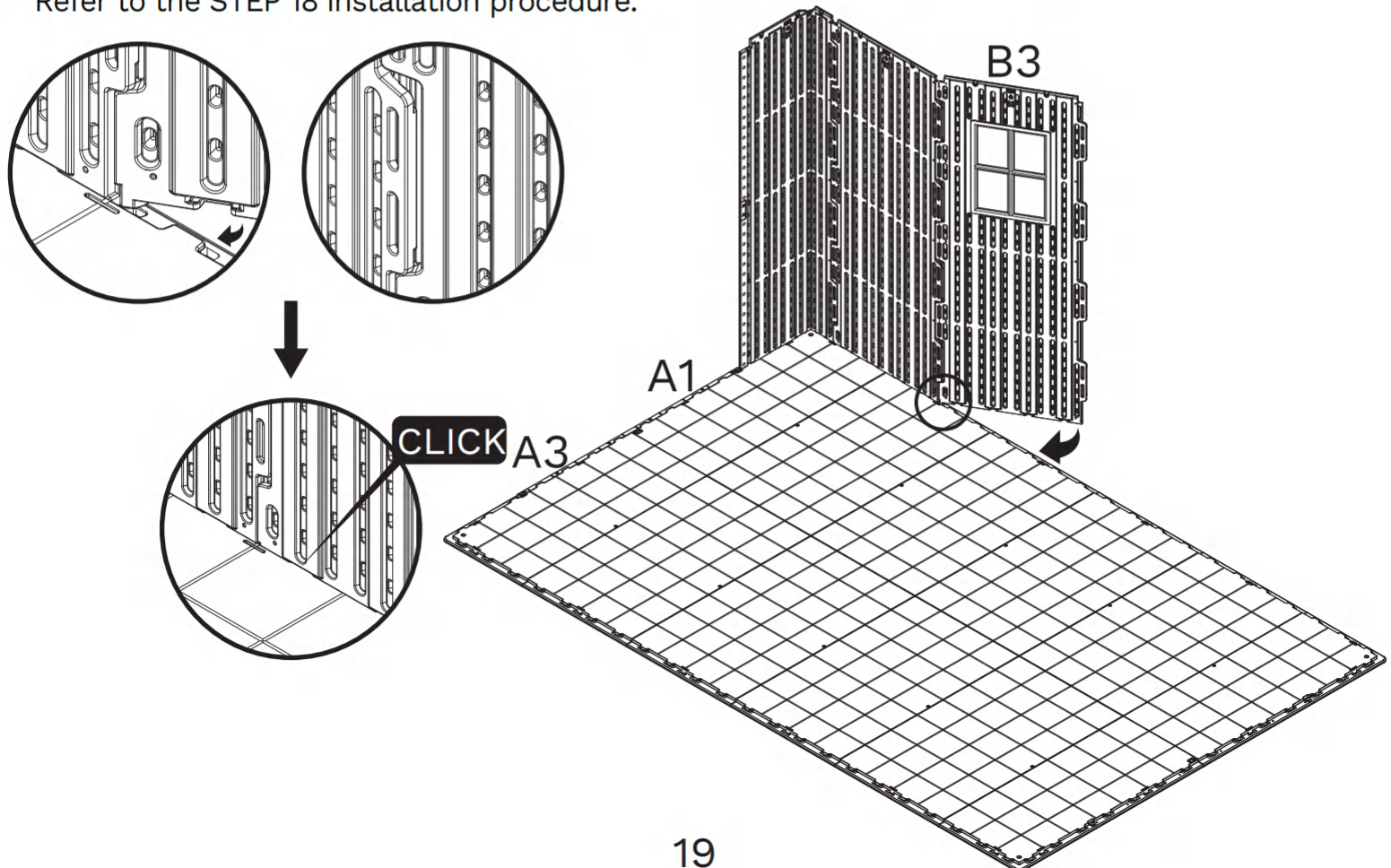


STEP 18

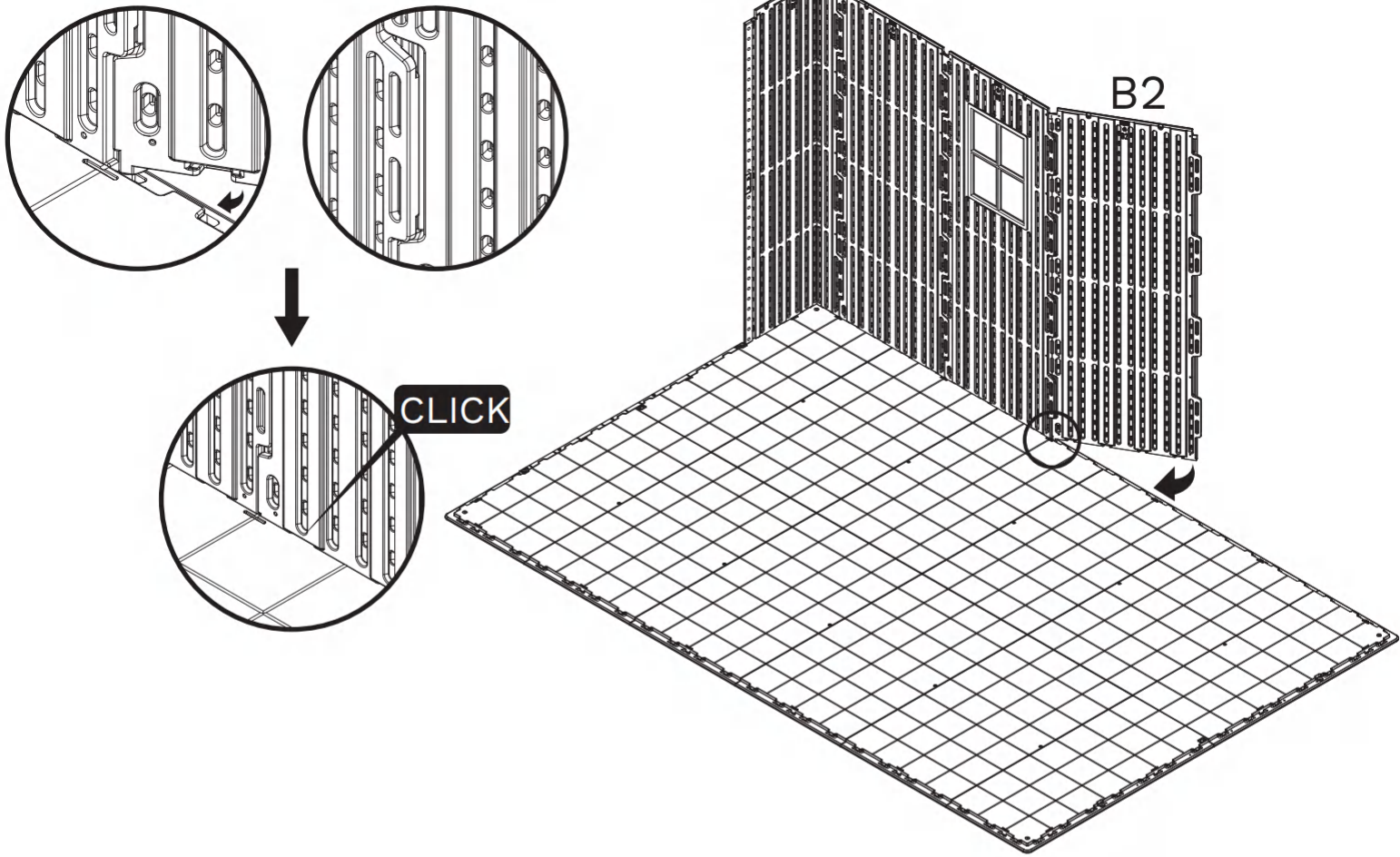


STEP 19

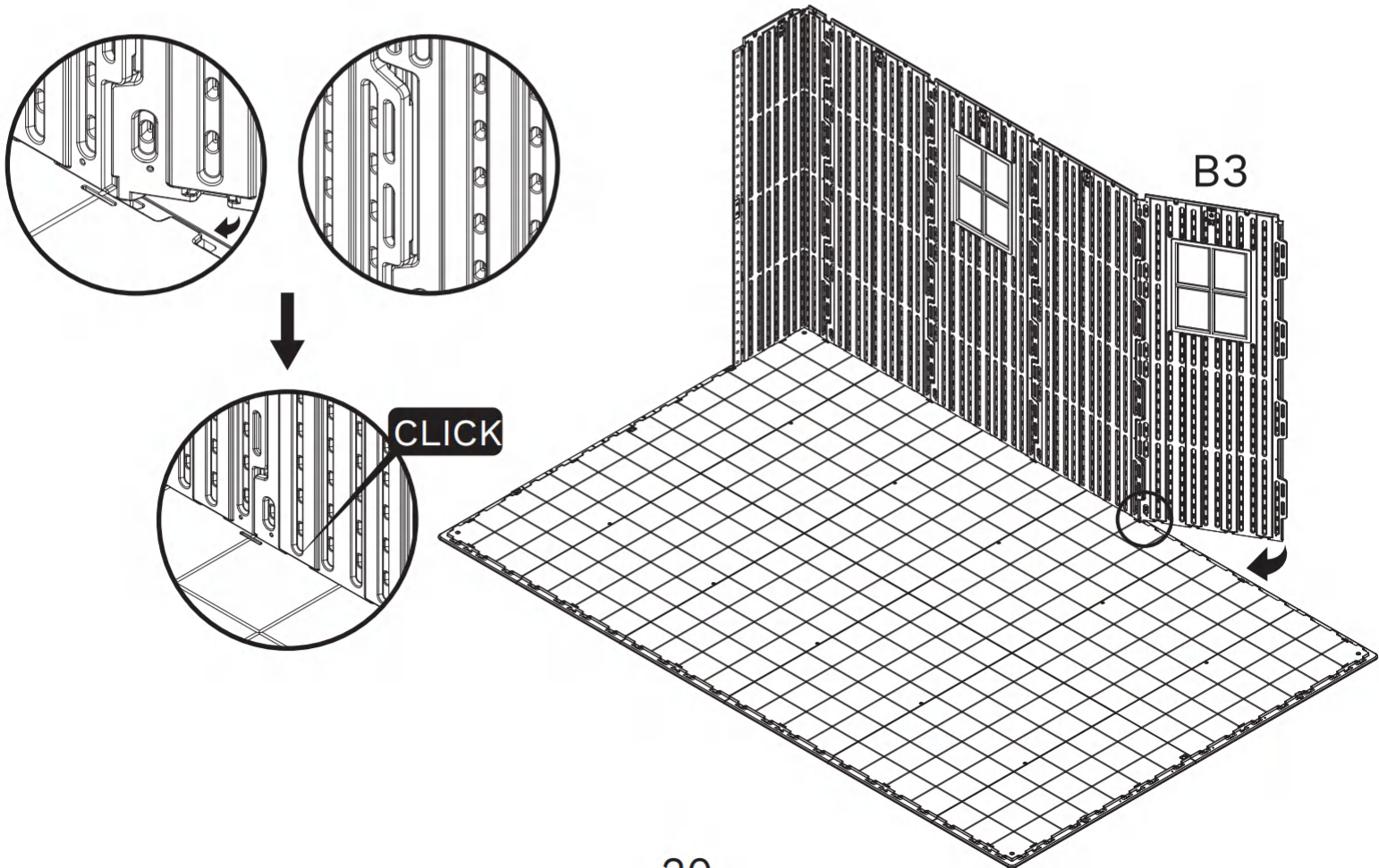
Refer to the STEP 18 installation procedure.



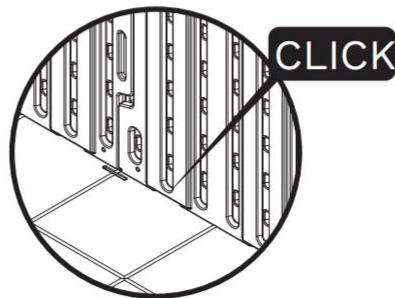
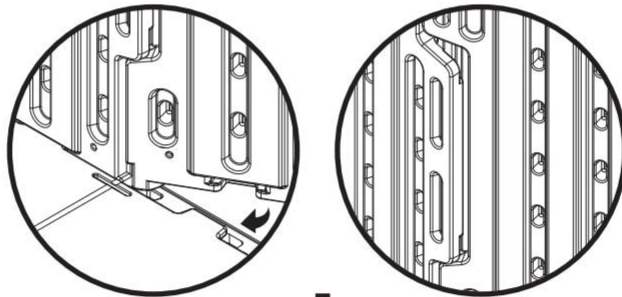
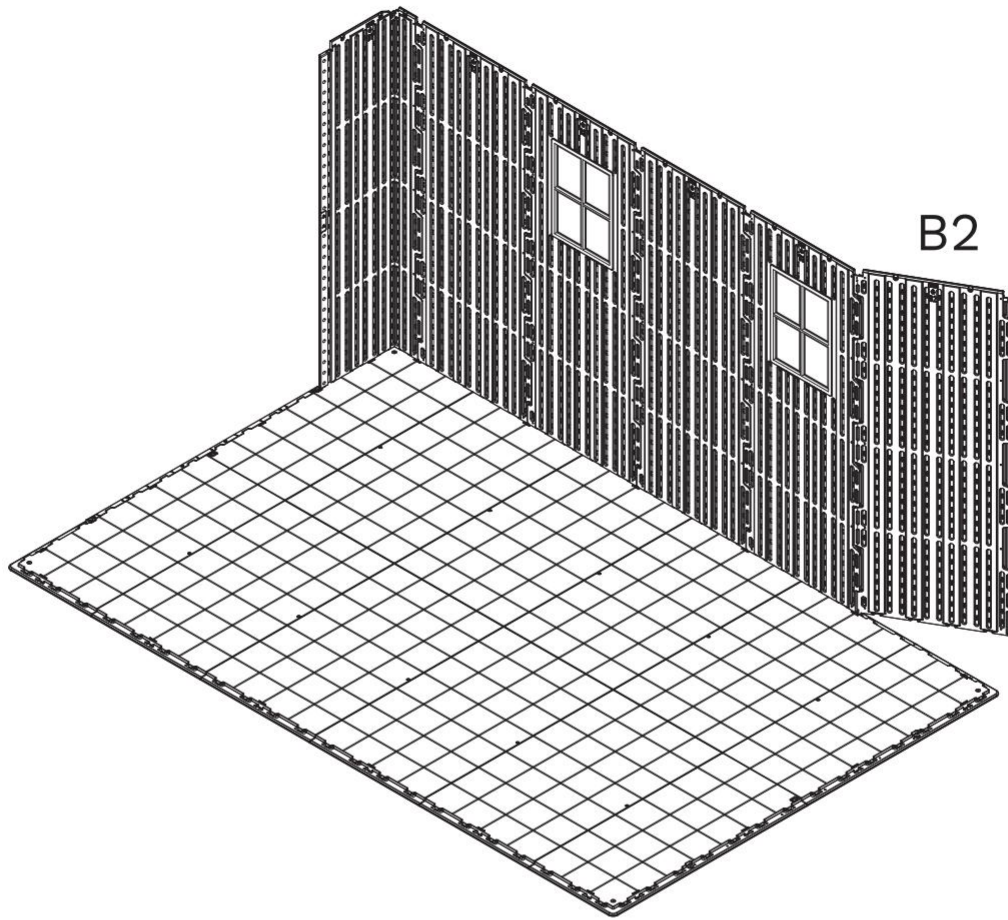
STEP 20



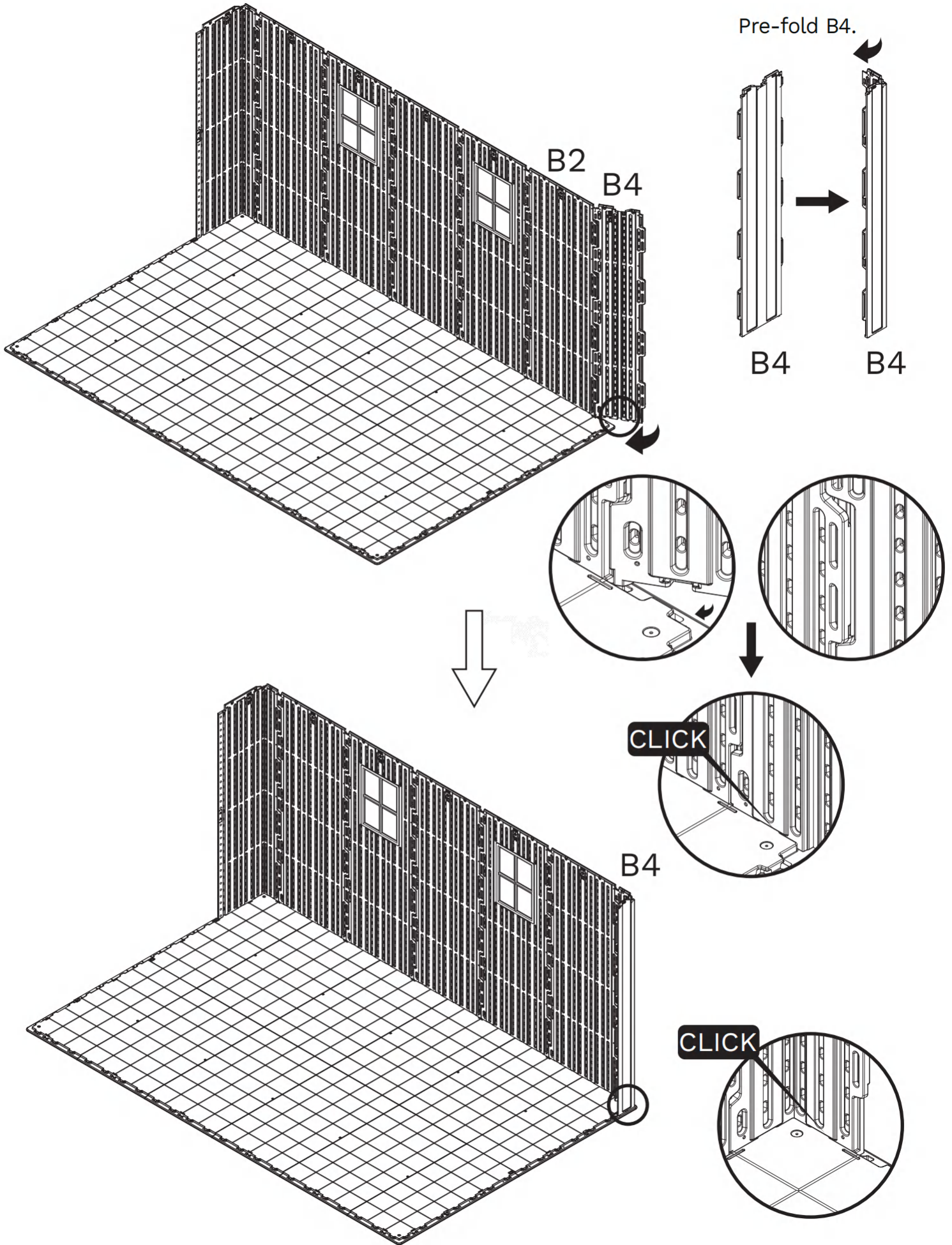
STEP 21



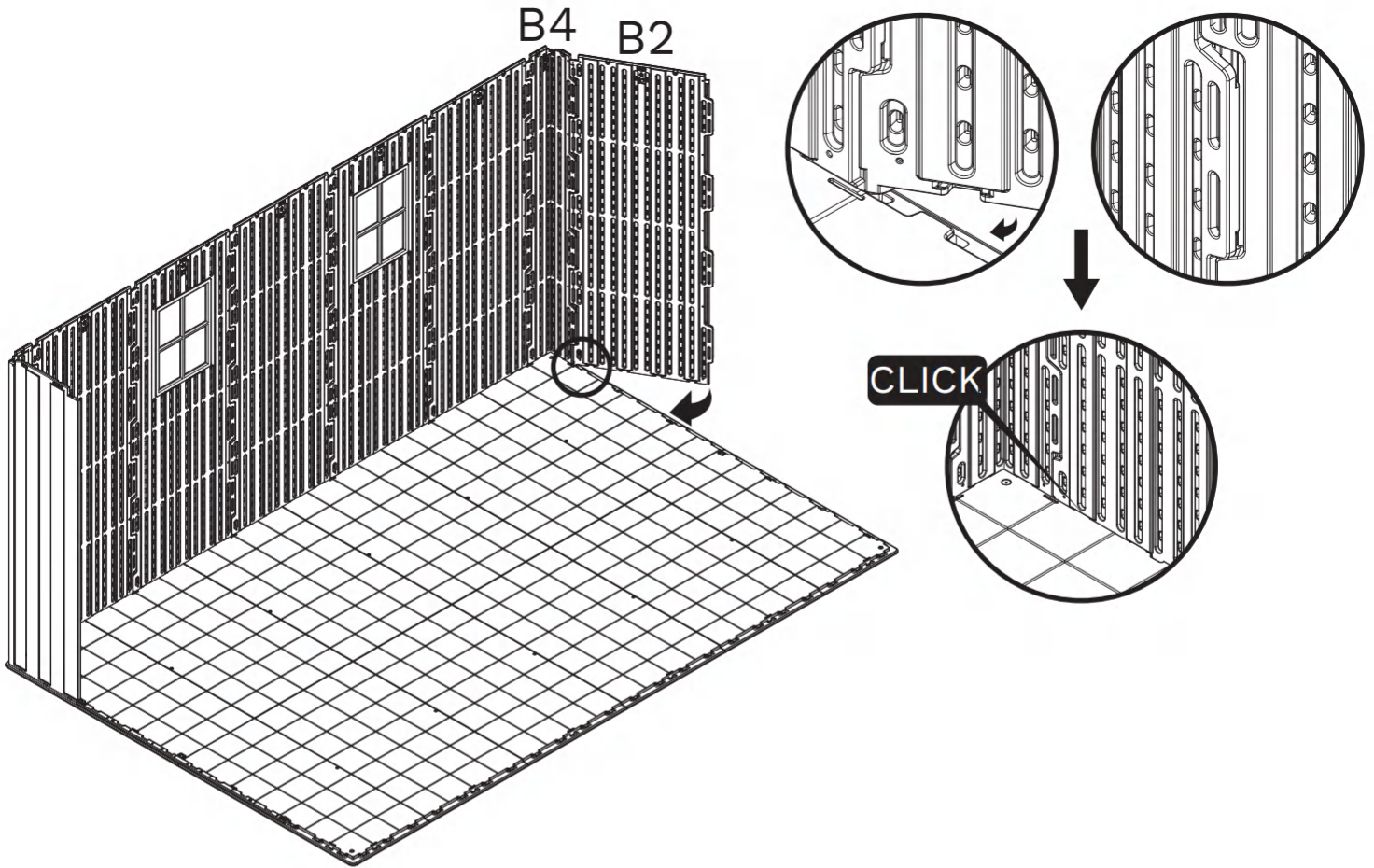
STEP 22



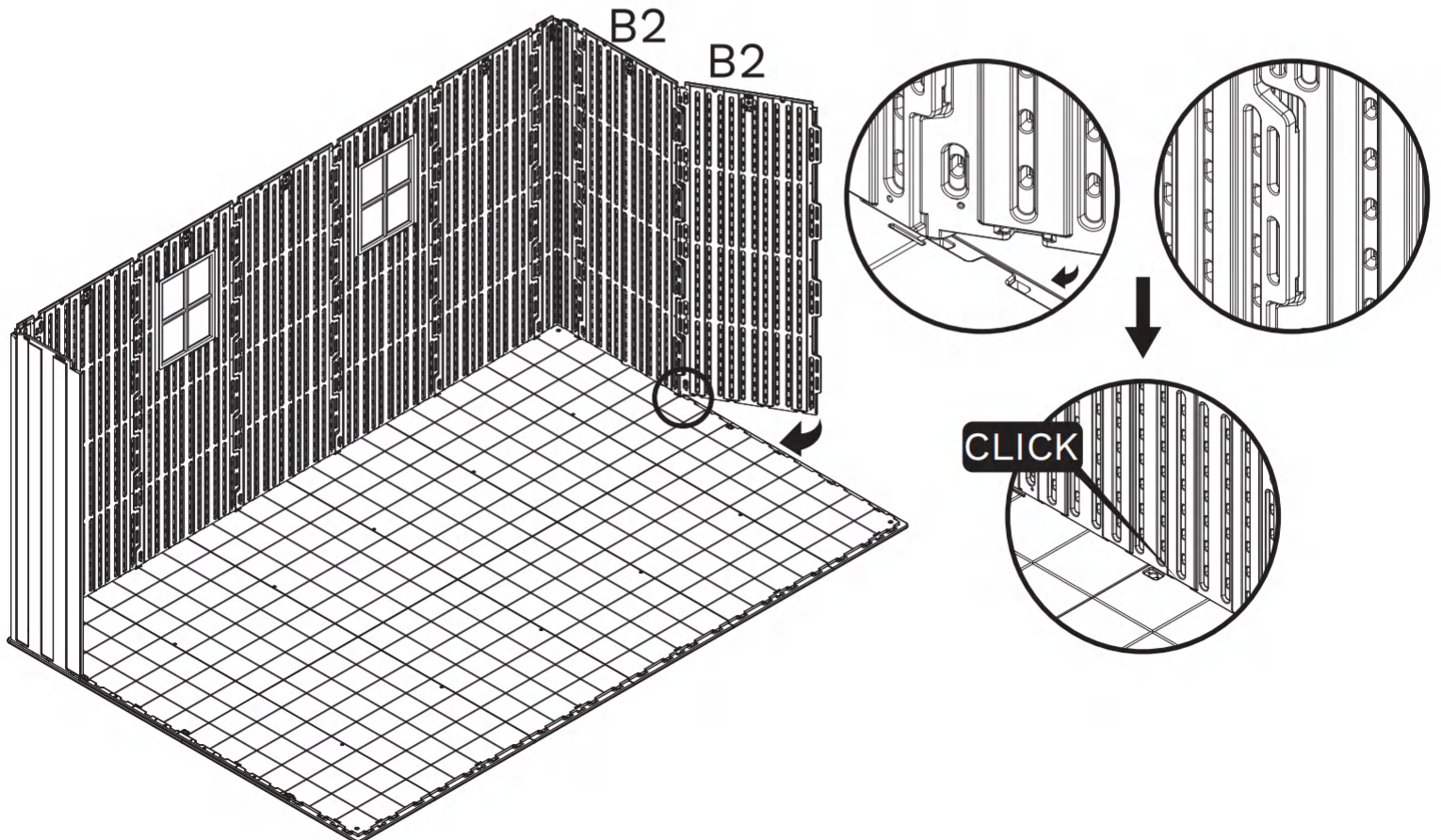
STEP 23



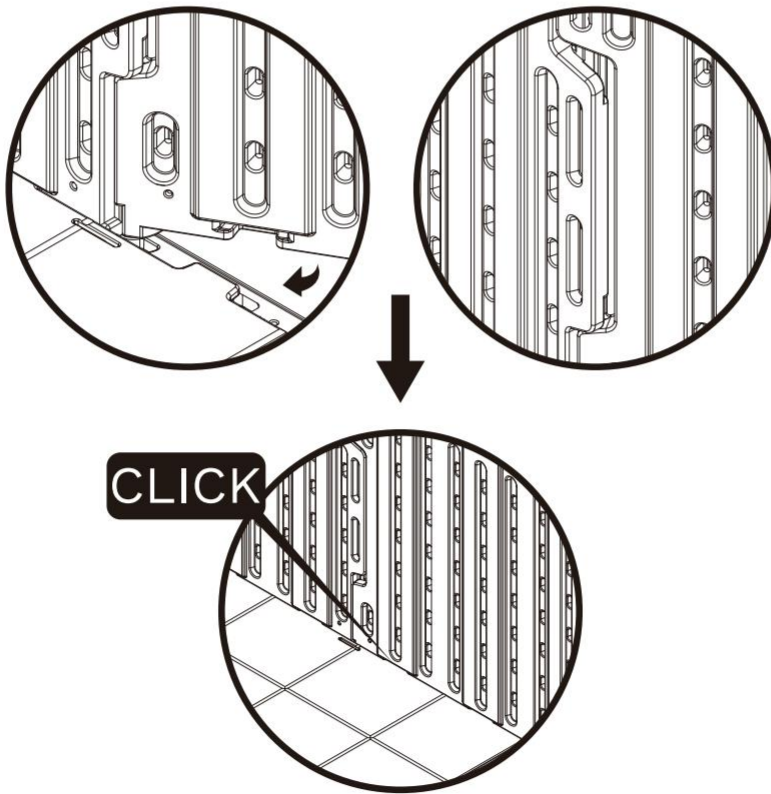
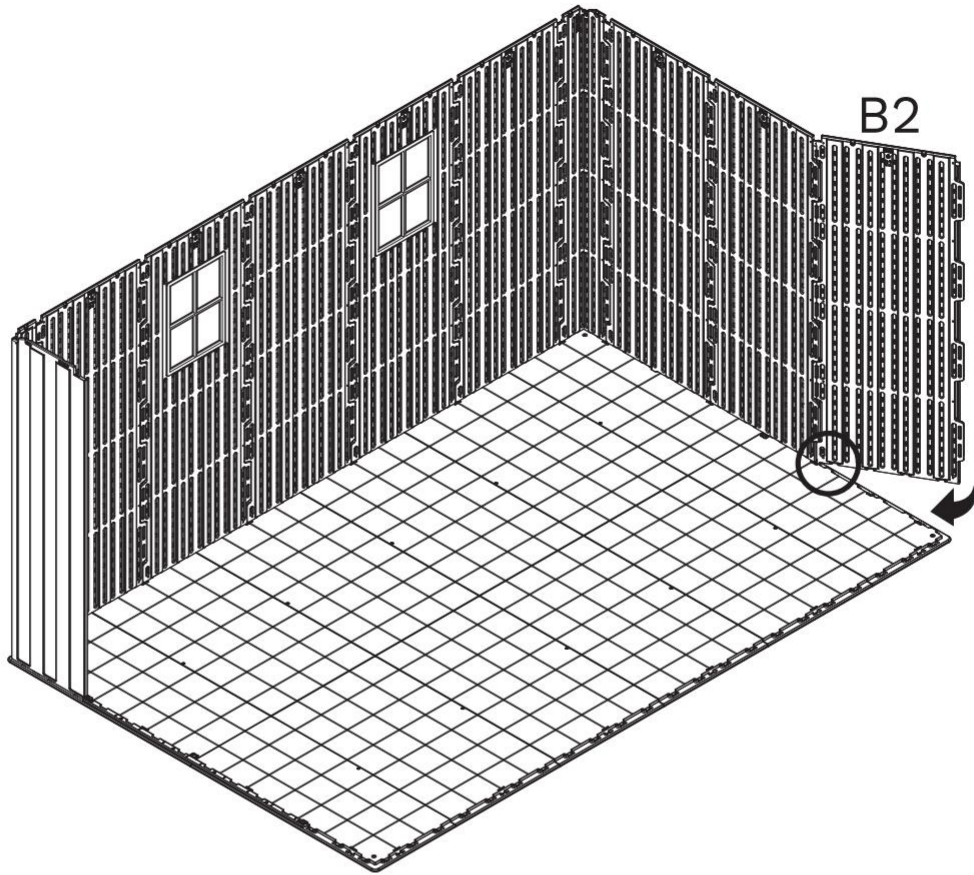
STEP 24



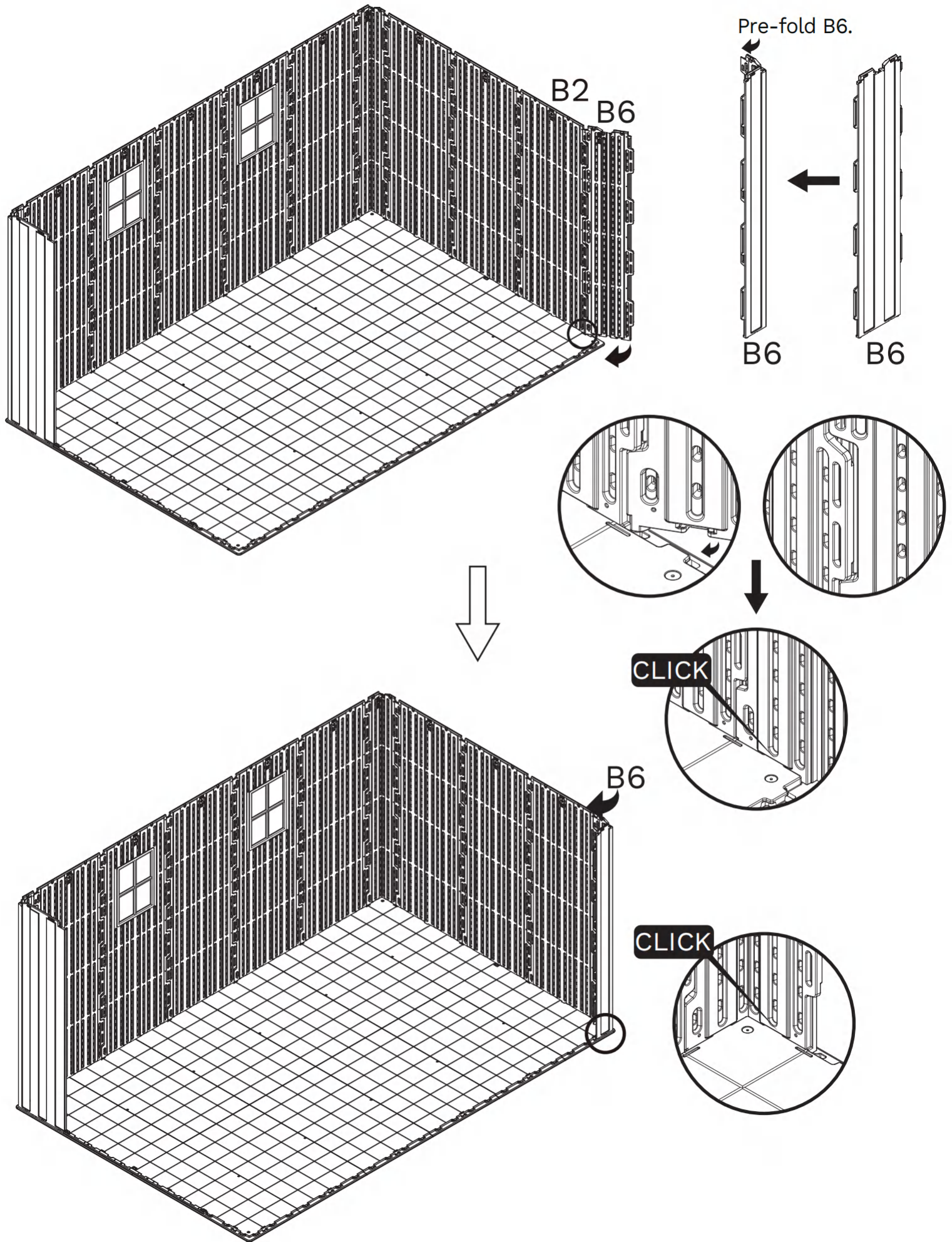
STEP 25



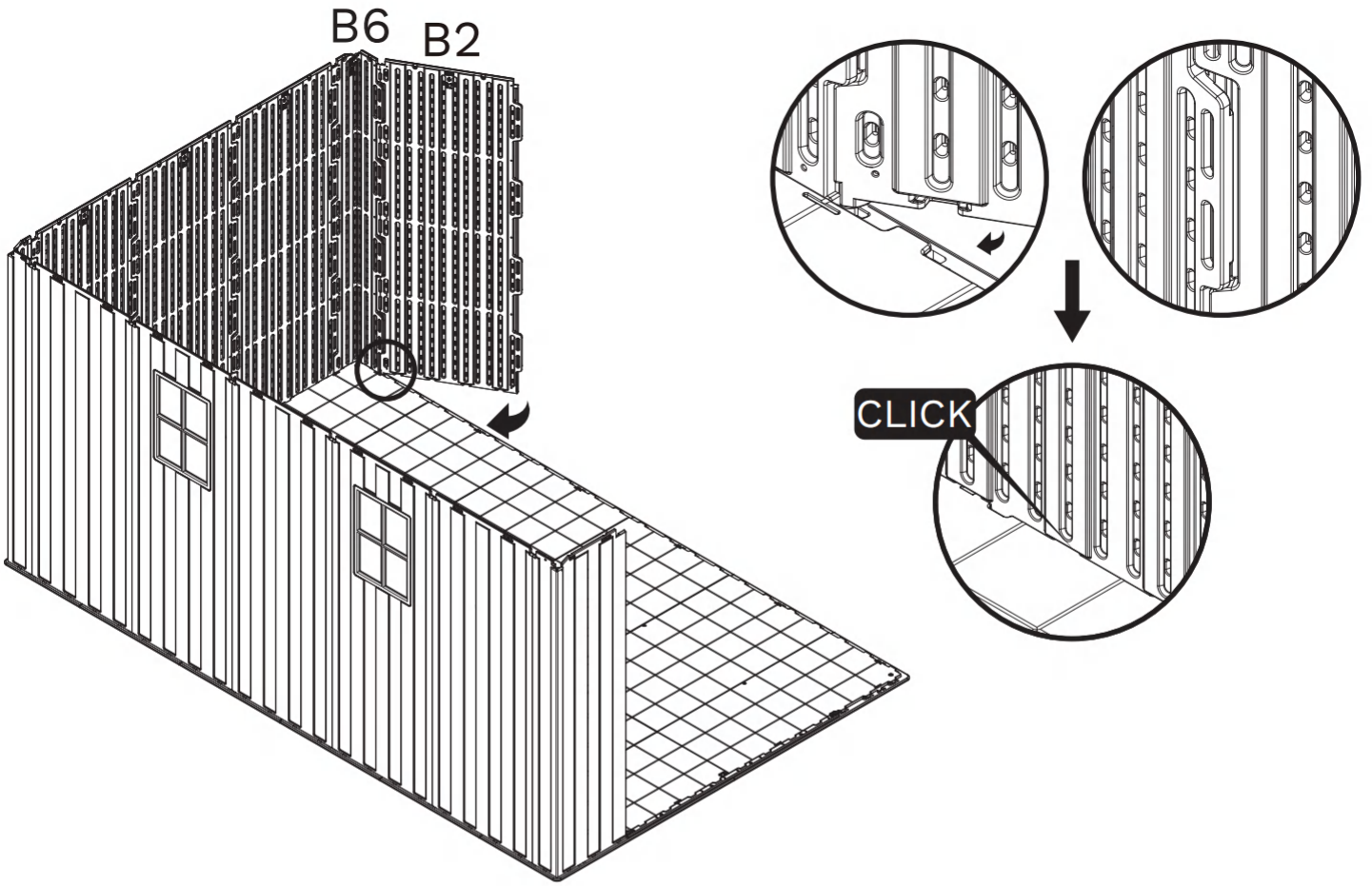
STEP 26



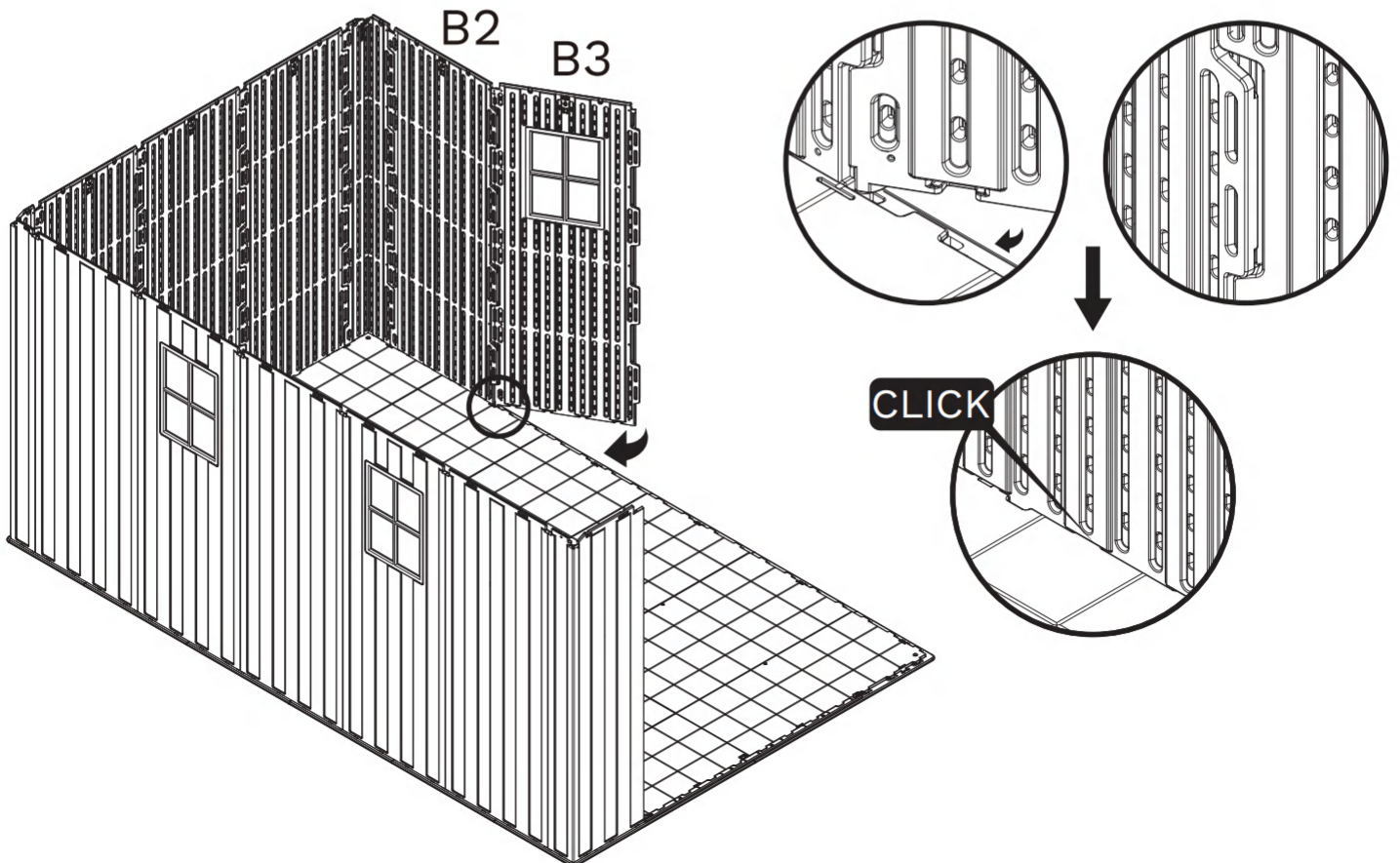
STEP 27



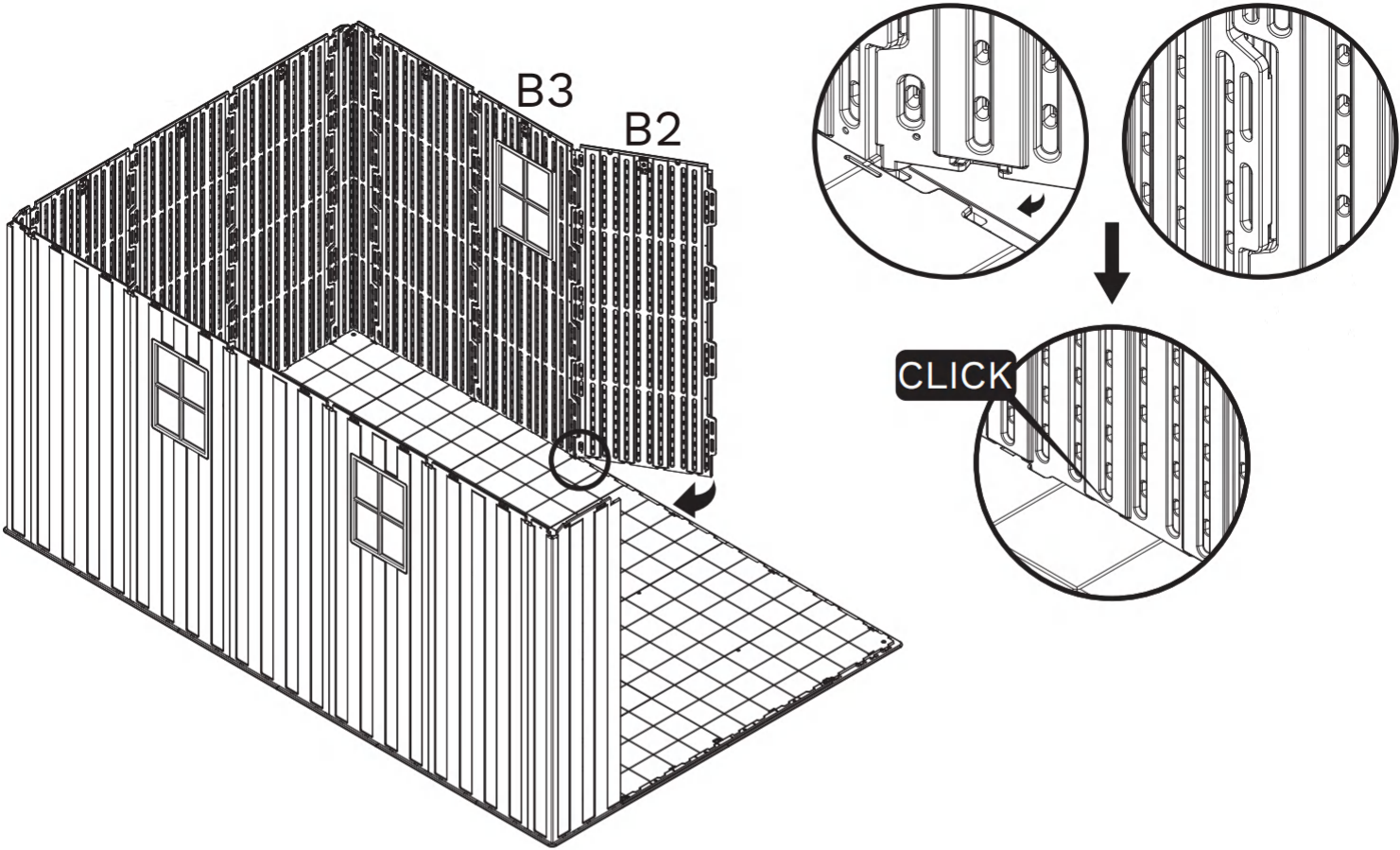
STEP 28



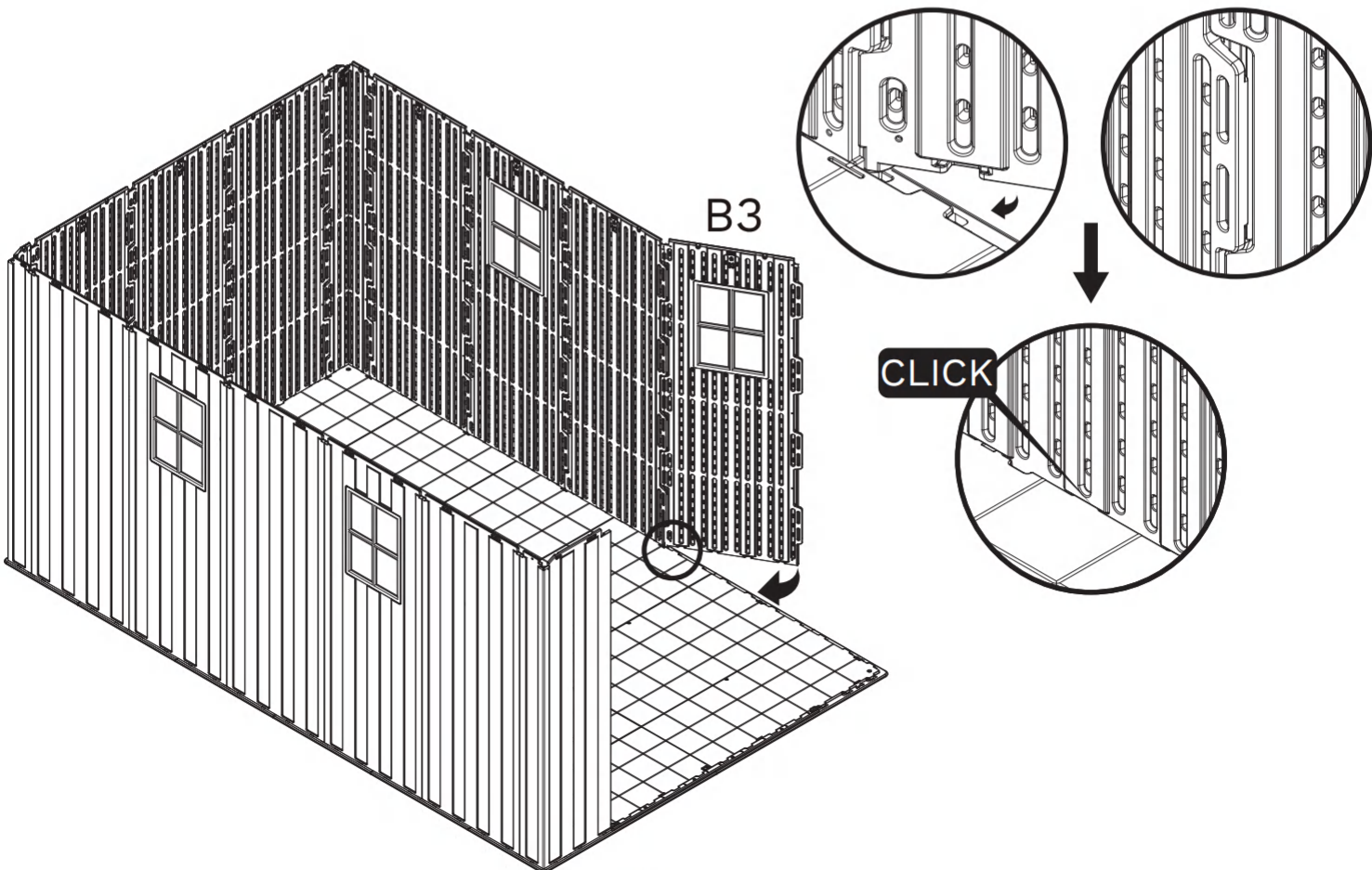
STEP 29



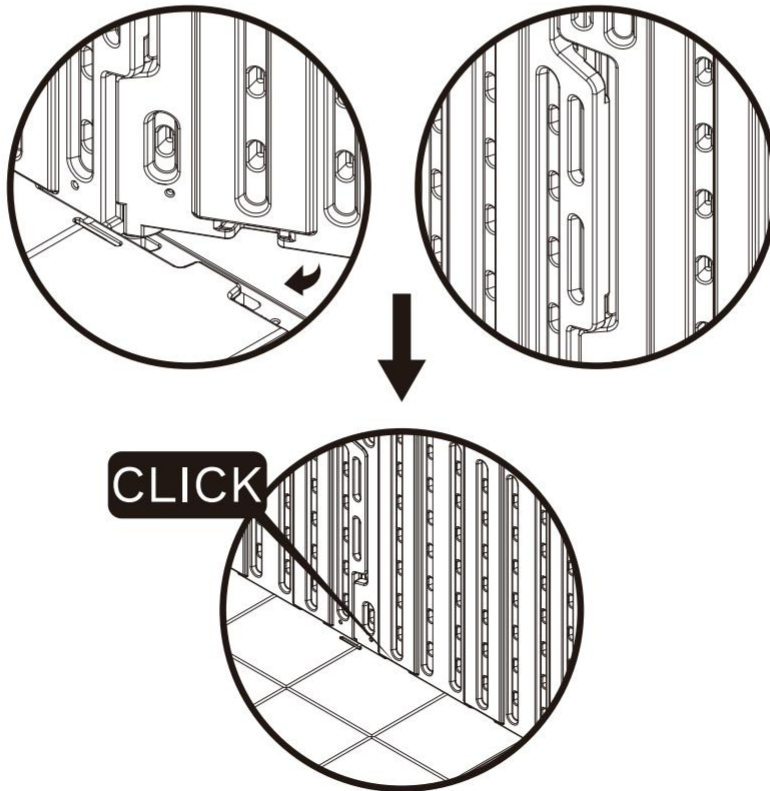
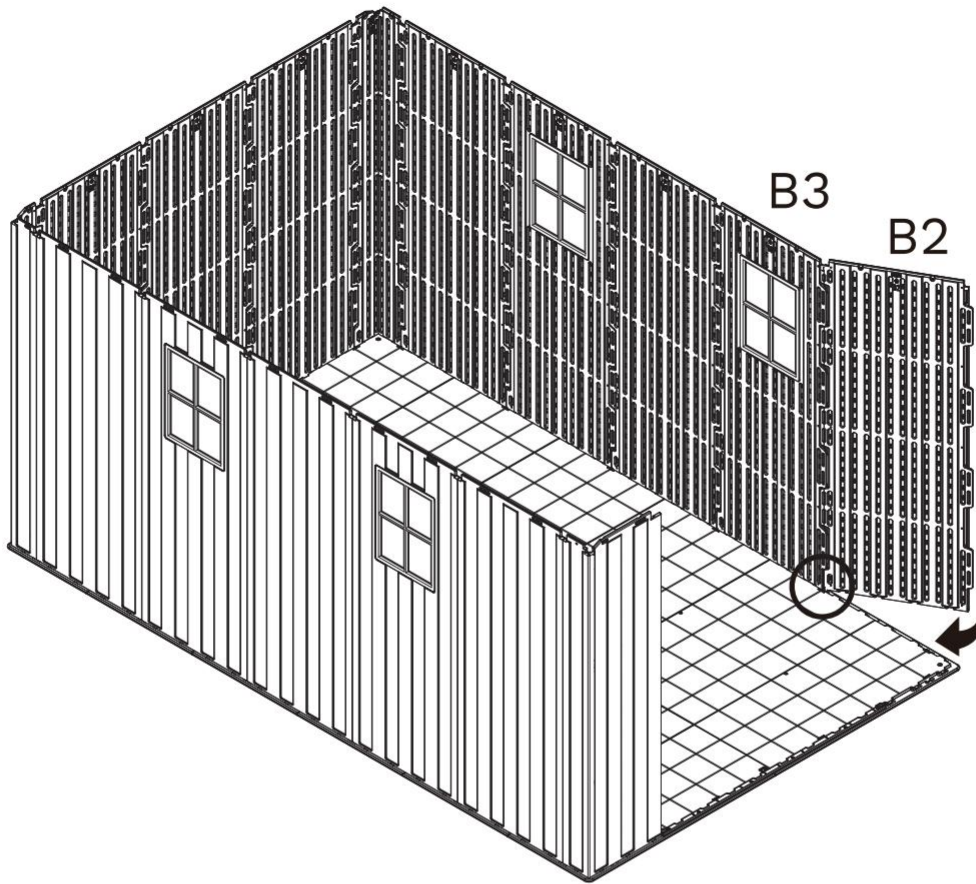
STEP 30



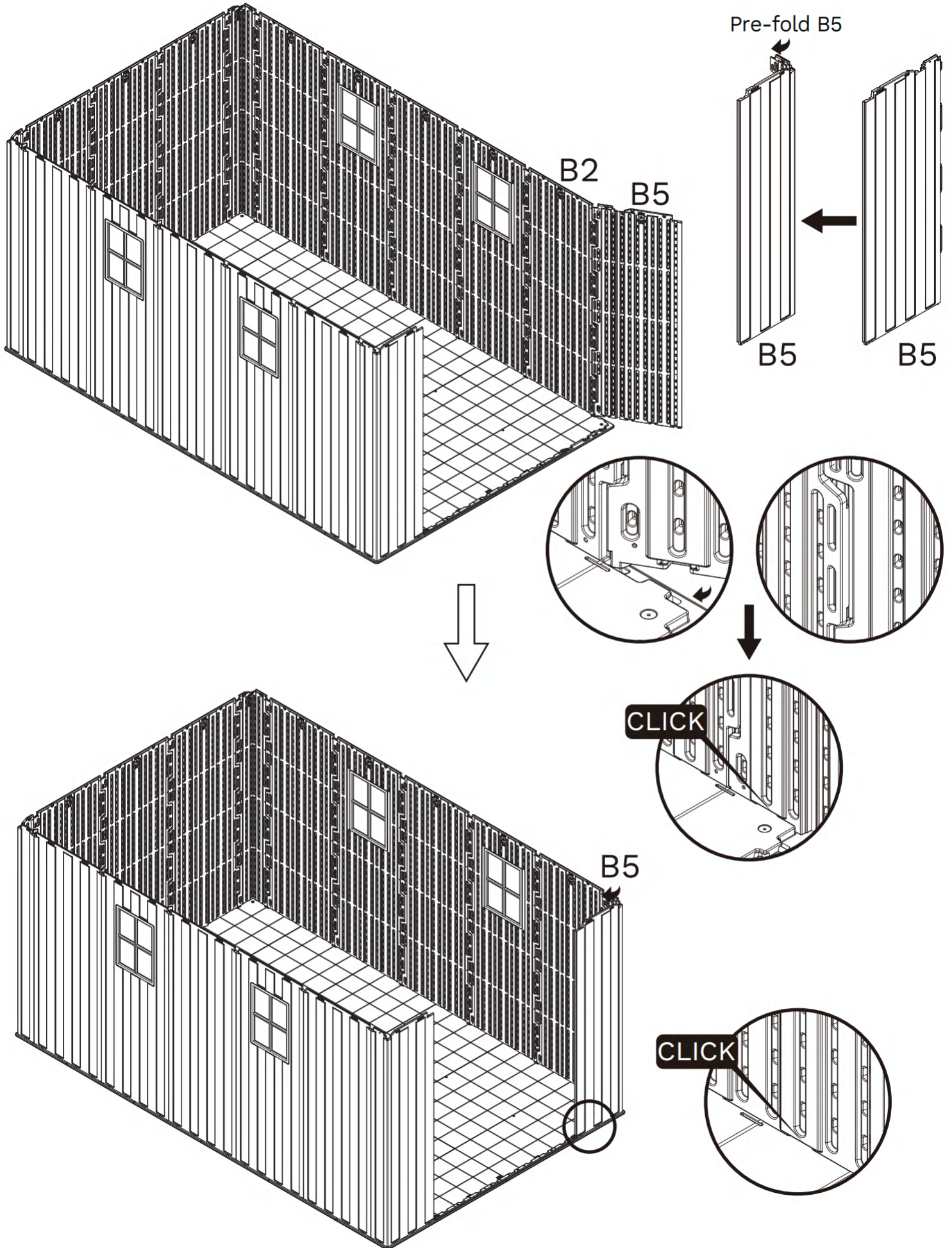
STEP 31



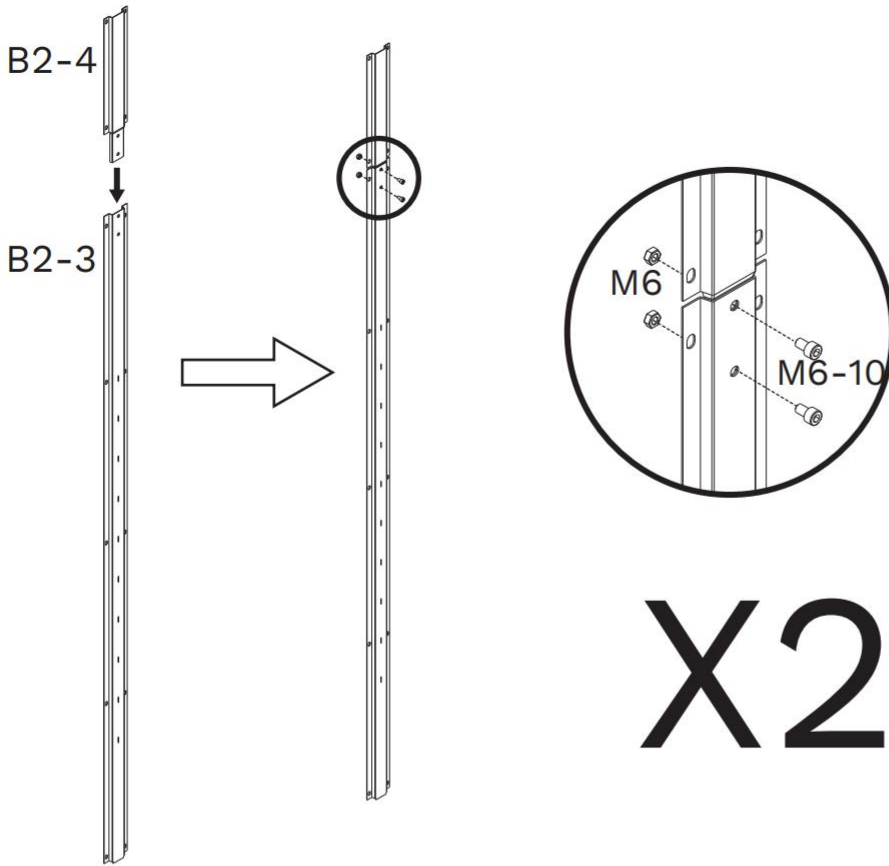
STEP 32





STEP 33

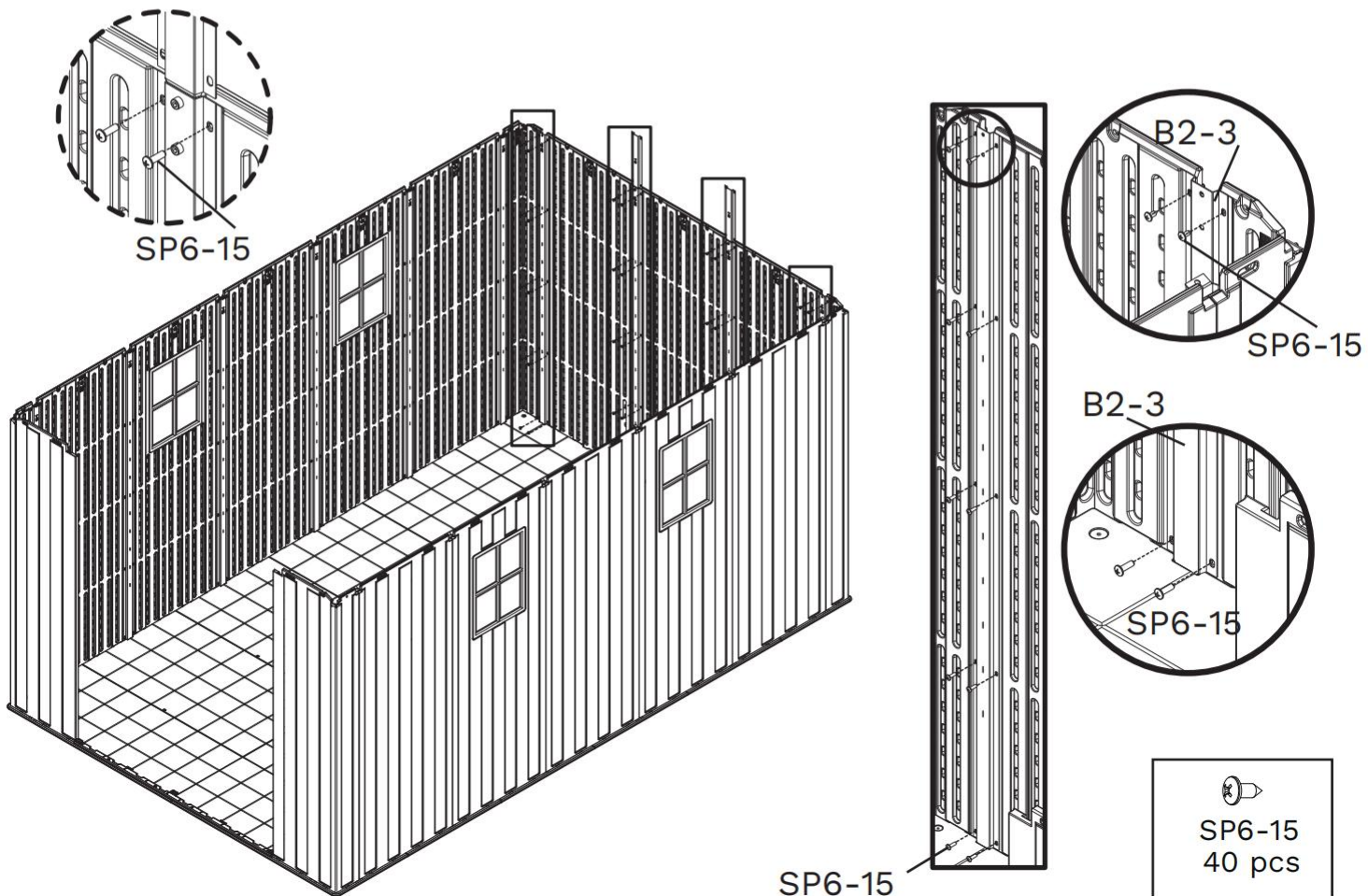



STEP 36



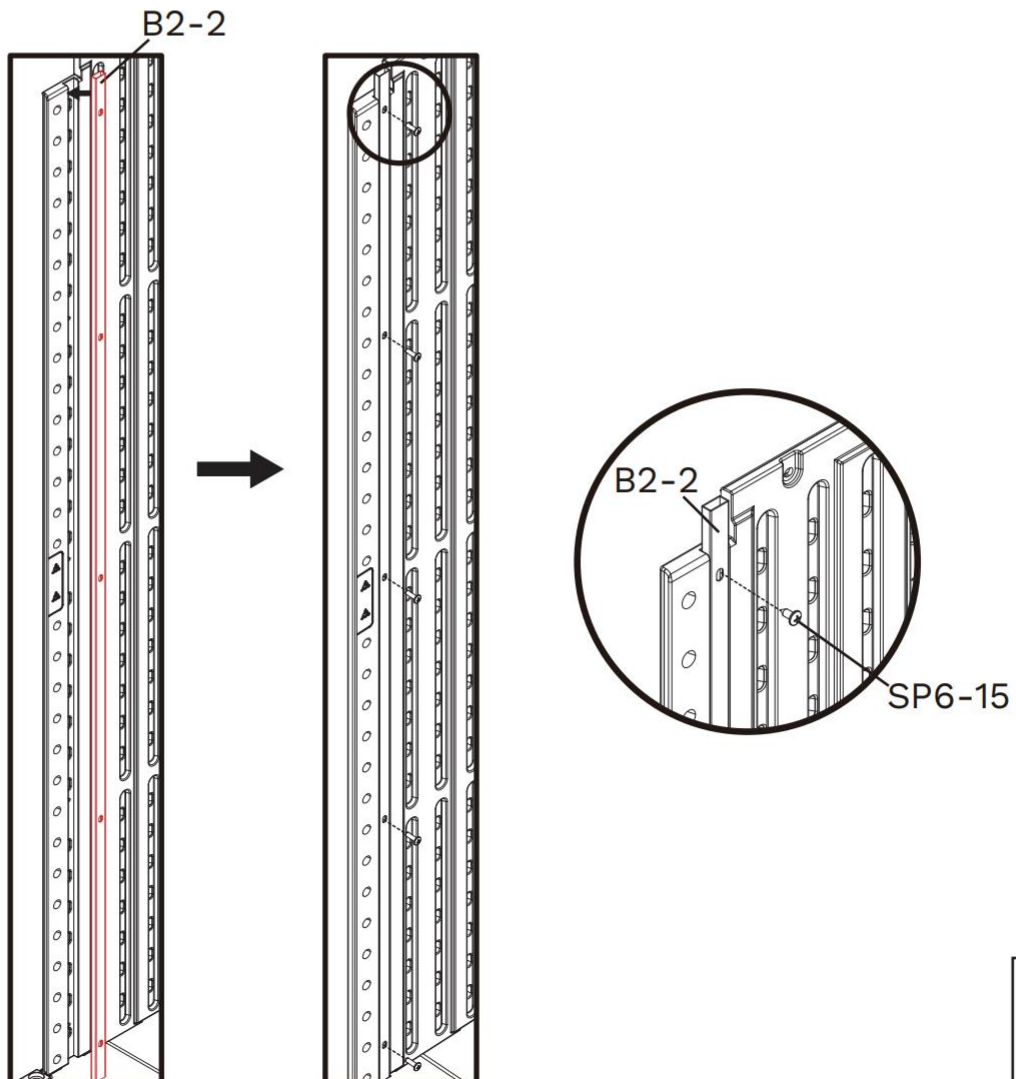
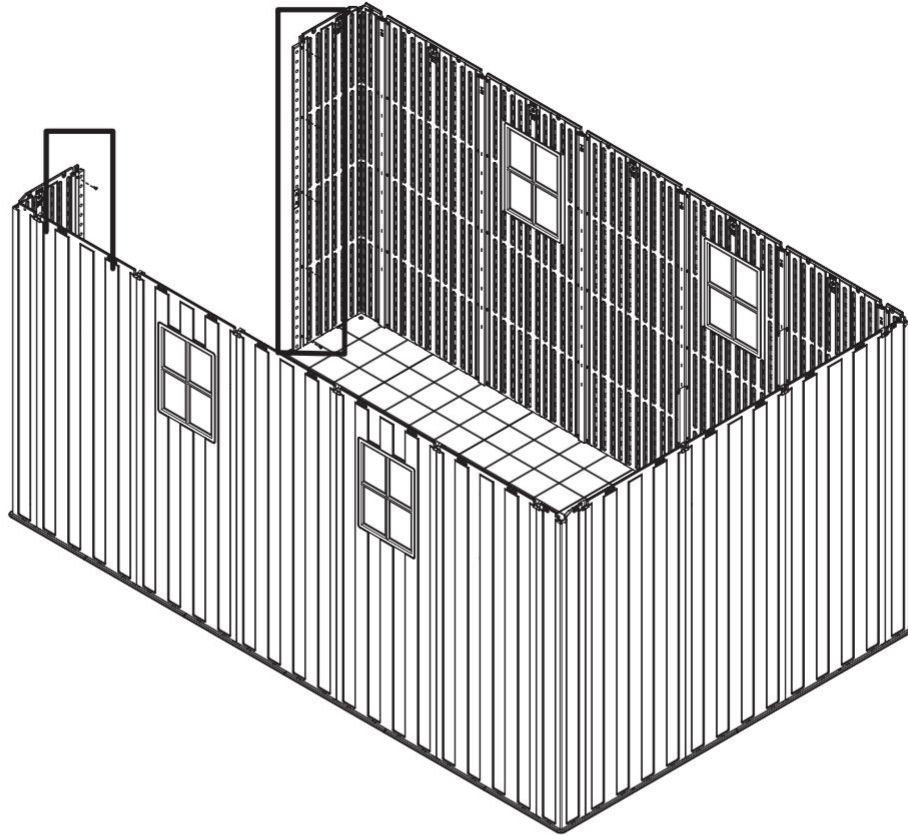
	
M6-10	M6
4 pcs	4 pcs


STEP 37

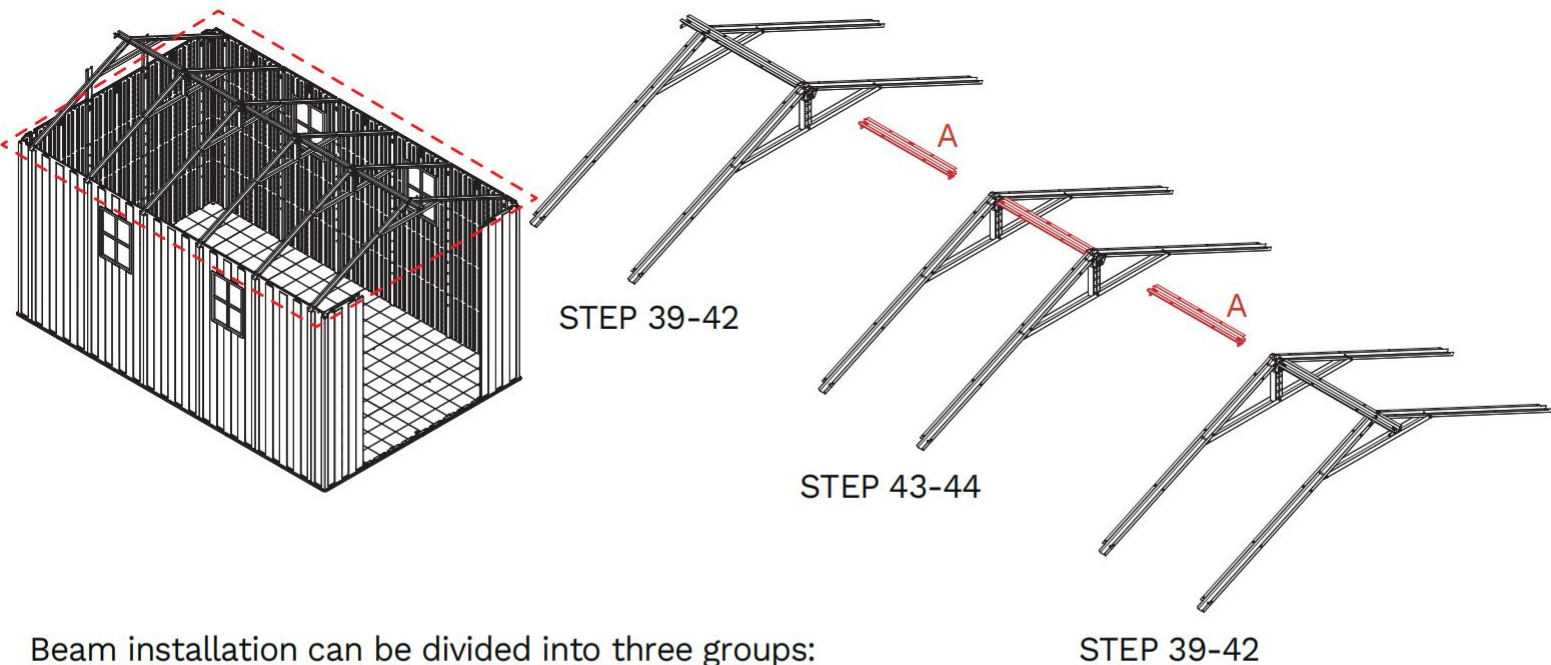



SP6-15
40 pcs

STEP 38

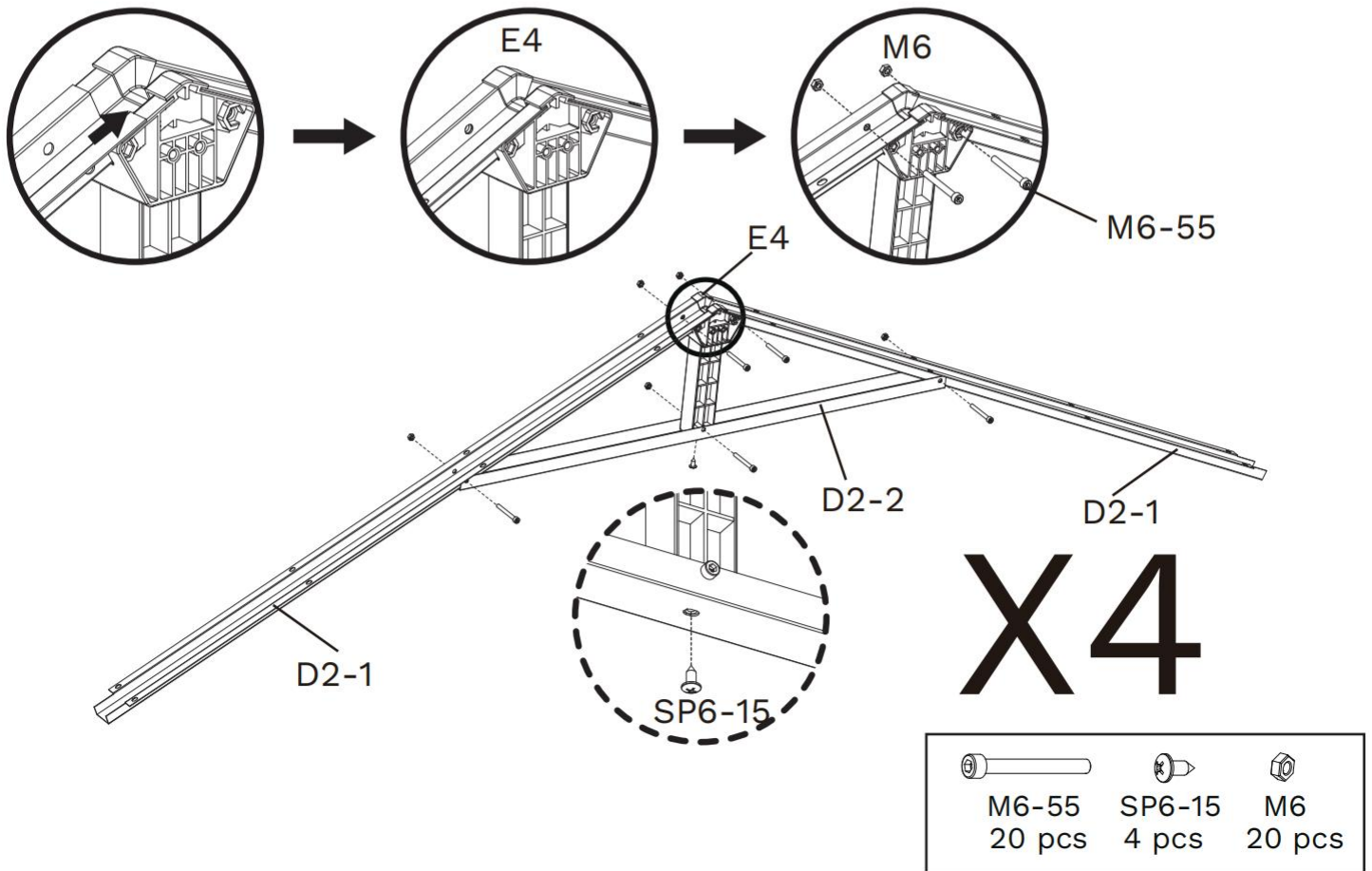



SP6-15
10 pcs

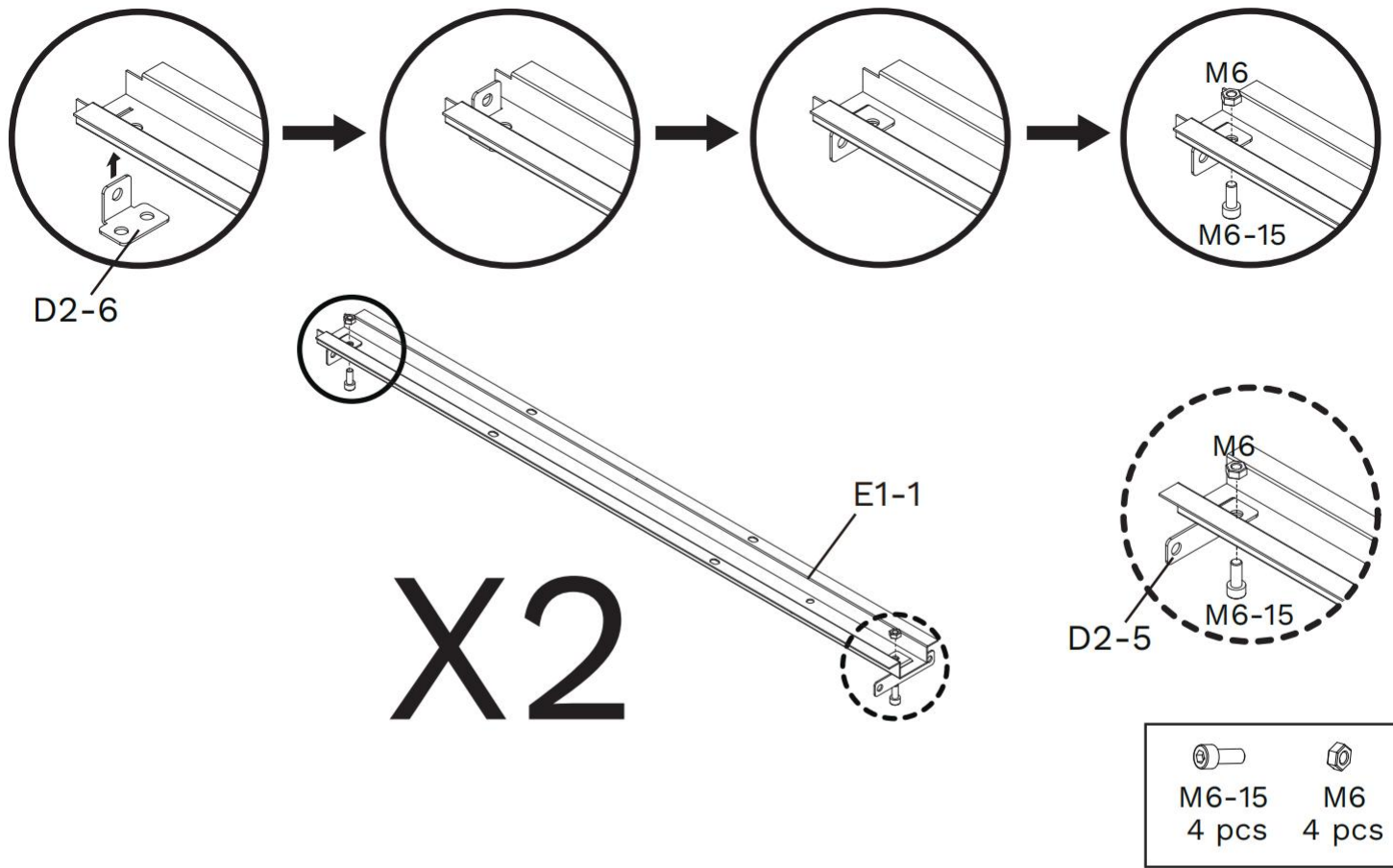


Beam installation can be divided into three groups: the installation steps for the front and rear components can be found in STEP 39-42, while the installation steps for the middle components are detailed in STEP 43-44. Install the front and rear components first, then install the middle components. When installing the middle components, please use your hands to support Area A.

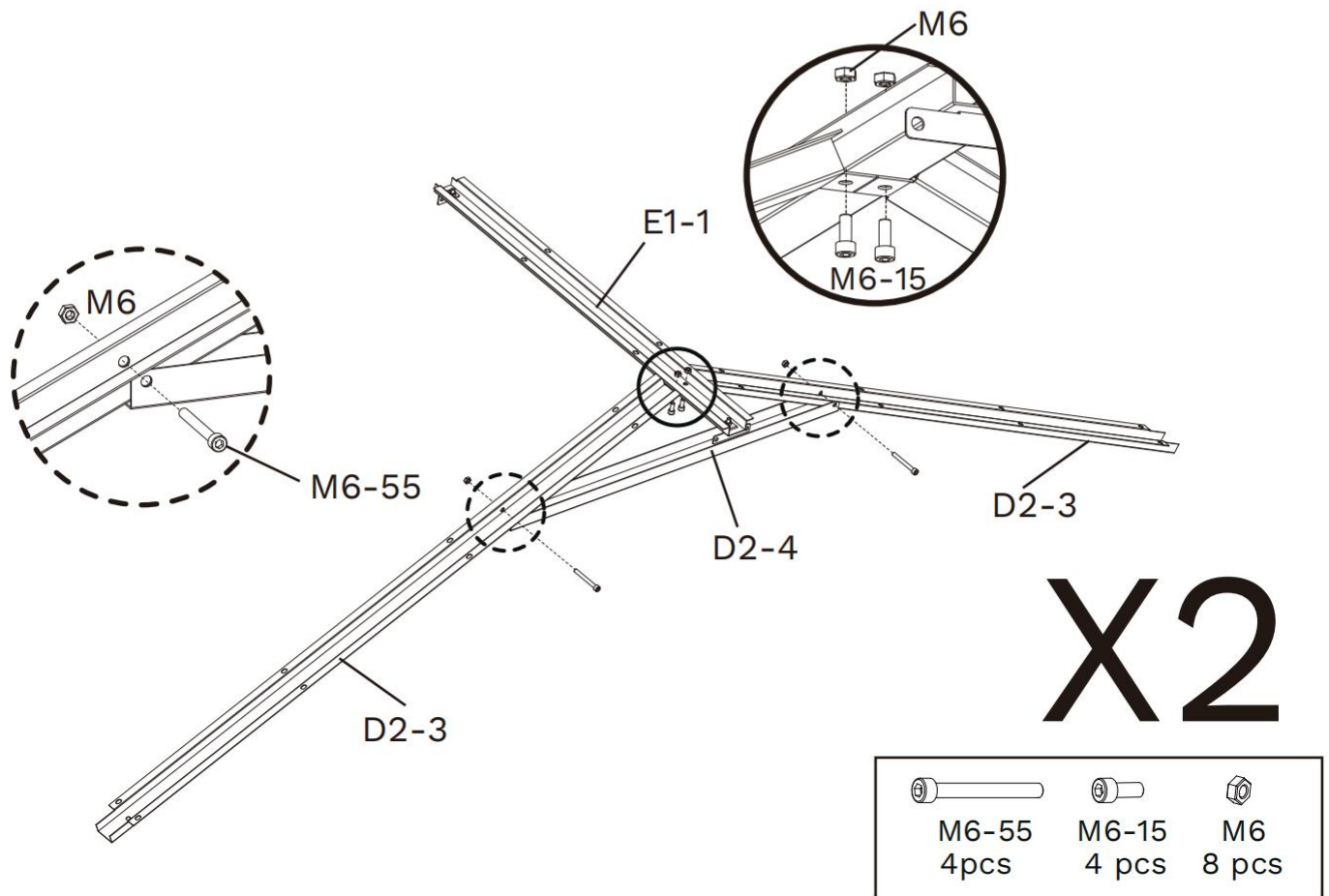
STEP 39



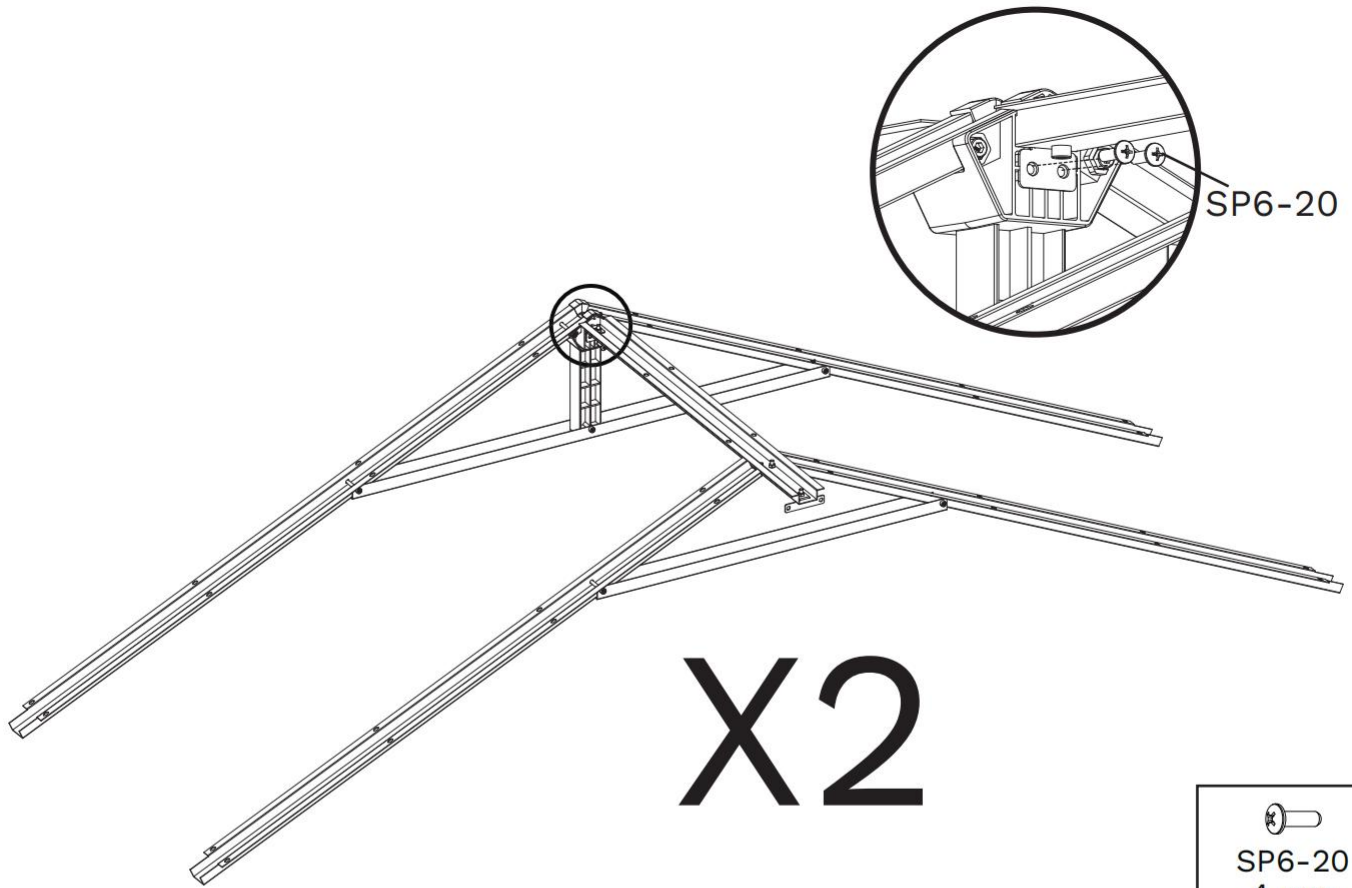
STEP 40




STEP 41

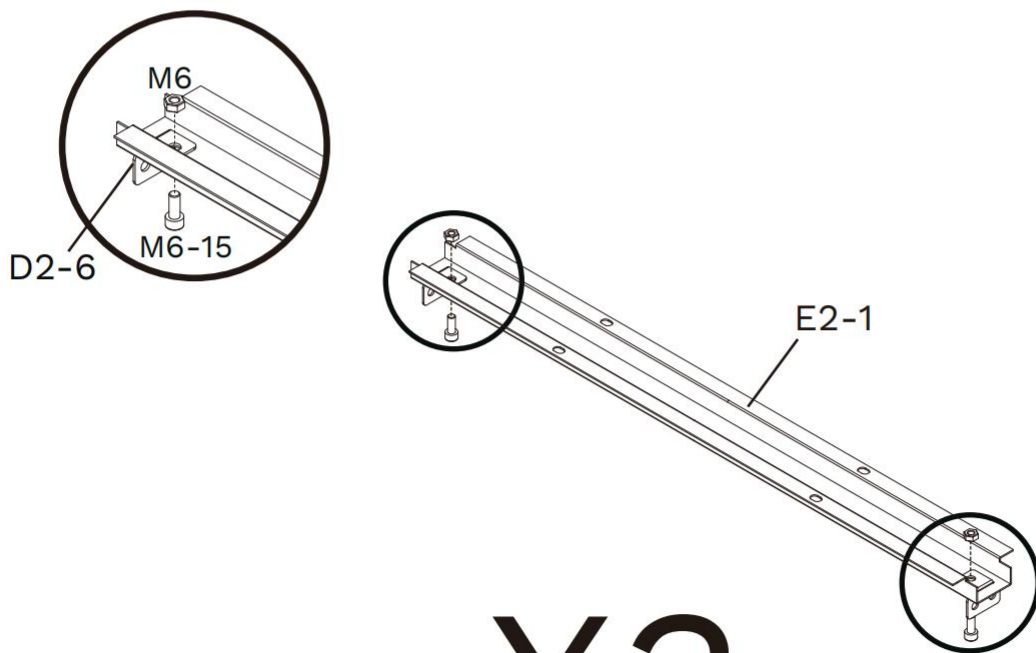


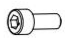

STEP 42



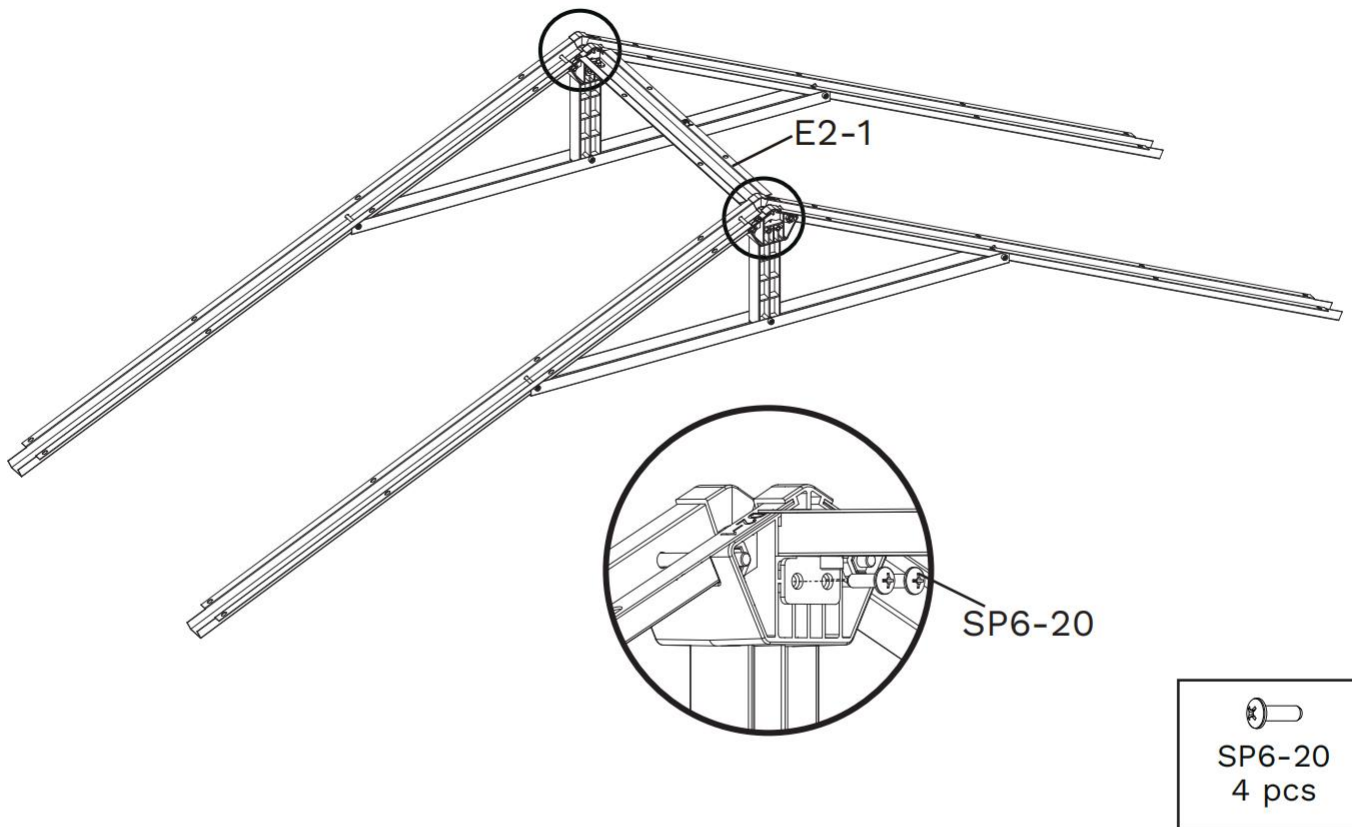

SP6-20
4 pcs

STEP 43

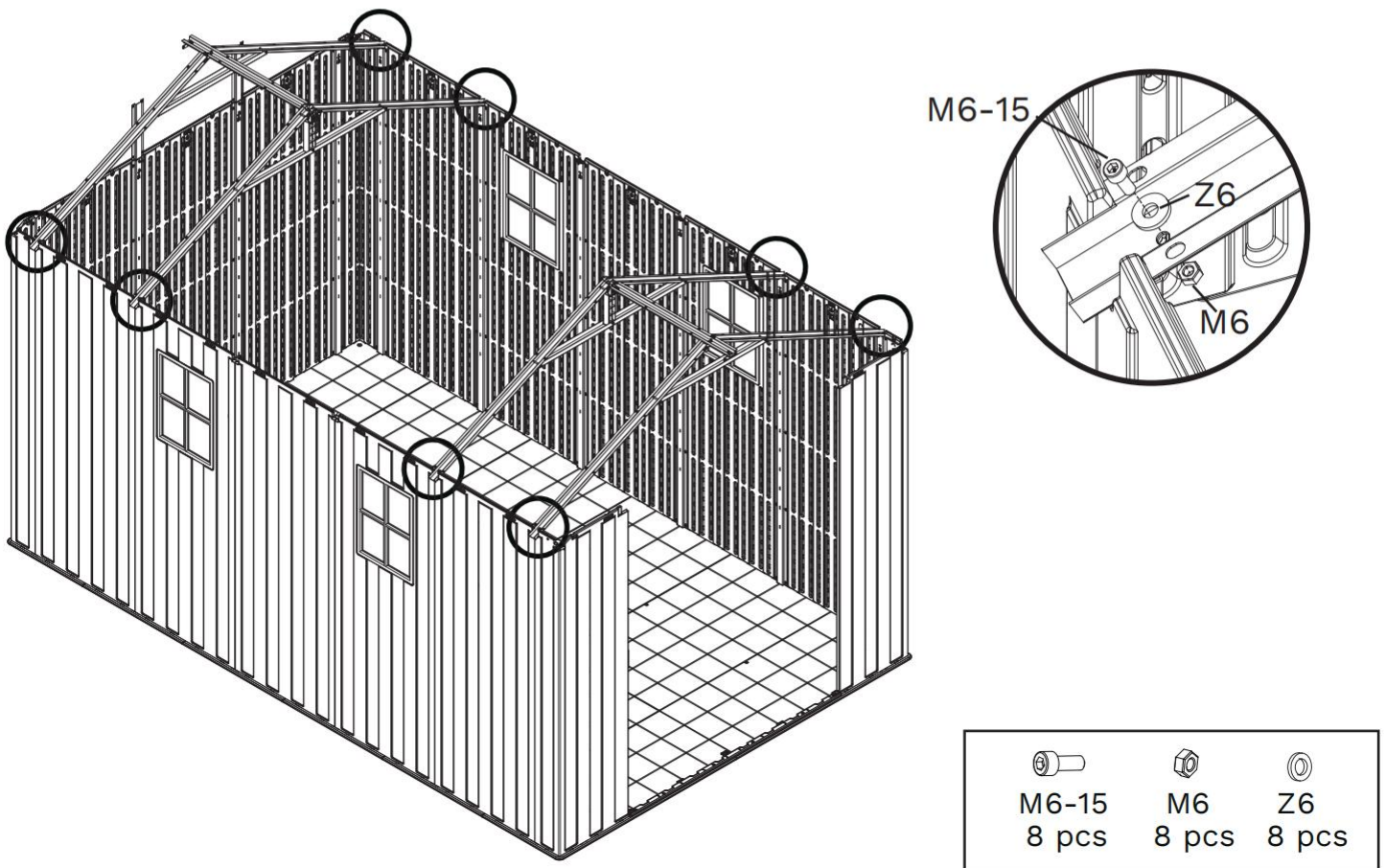


 
M6-15 M6
6 pcs 6 pcs

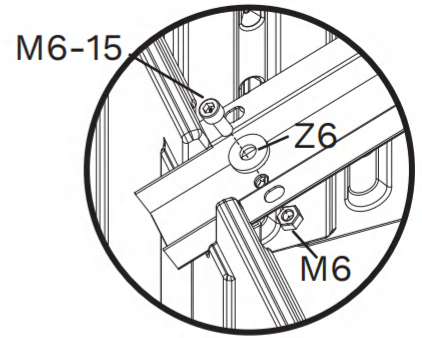
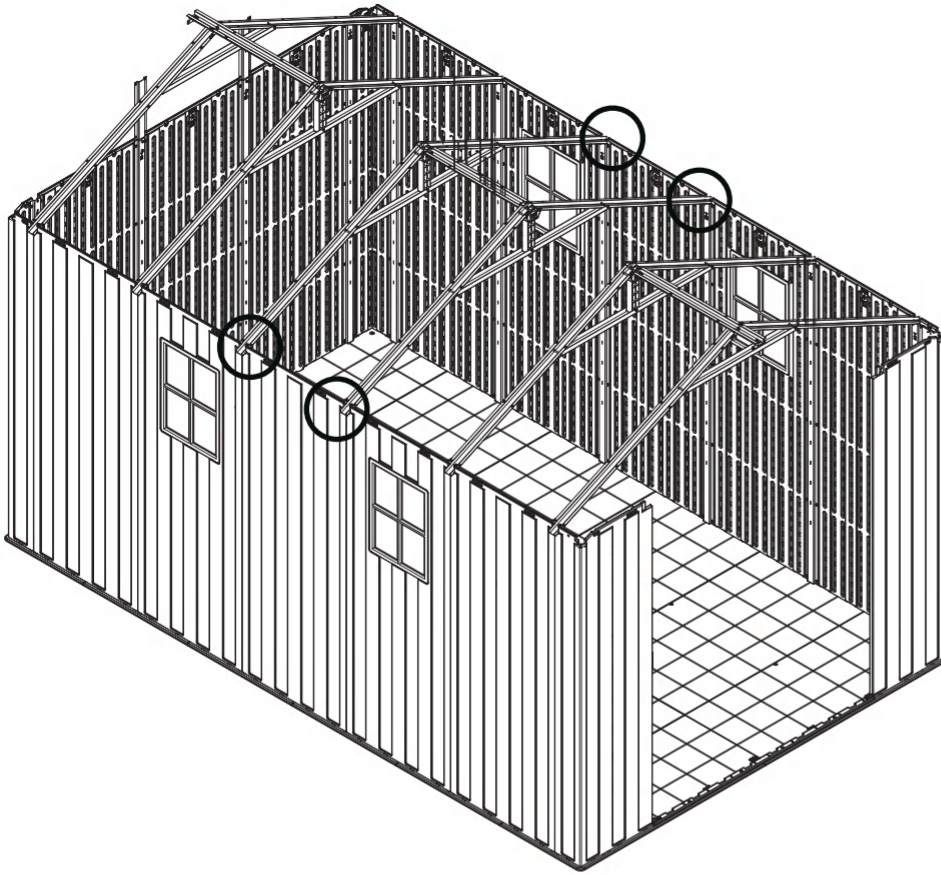
STEP 44






STEP 45

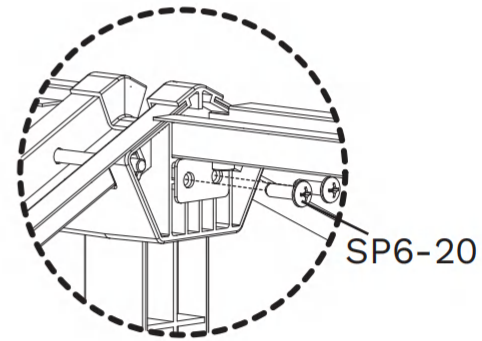
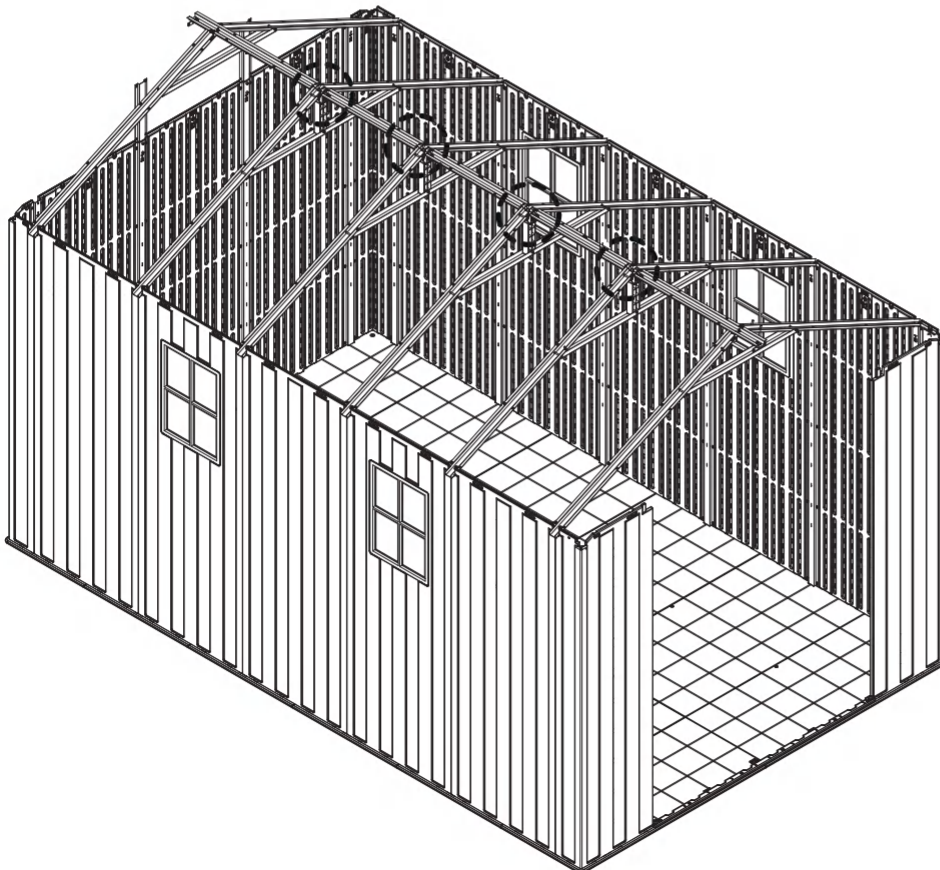



STEP 46



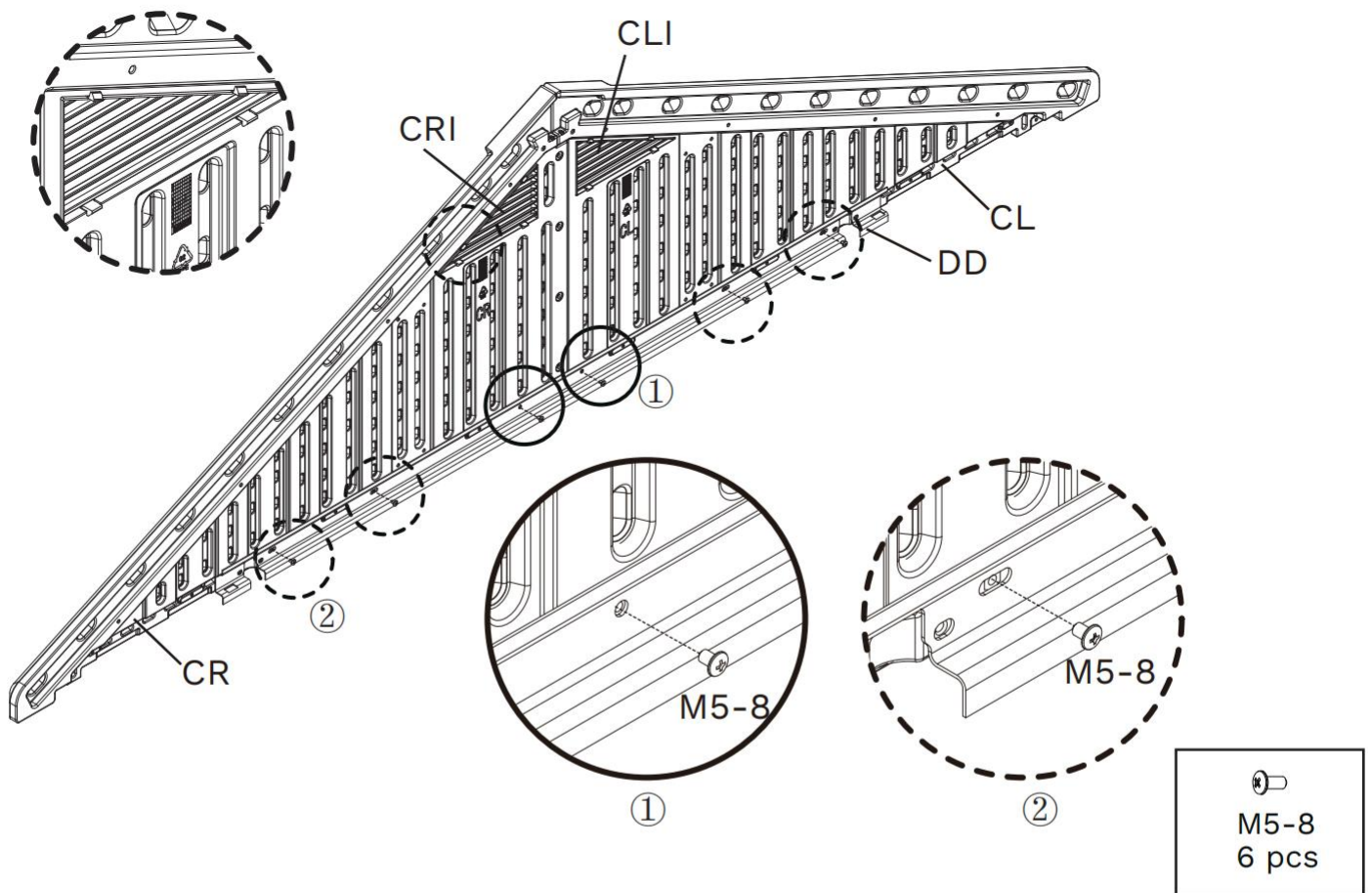
		
M6-15	M6	Z6
4 pcs	4 pcs	4 pcs

STEP 47

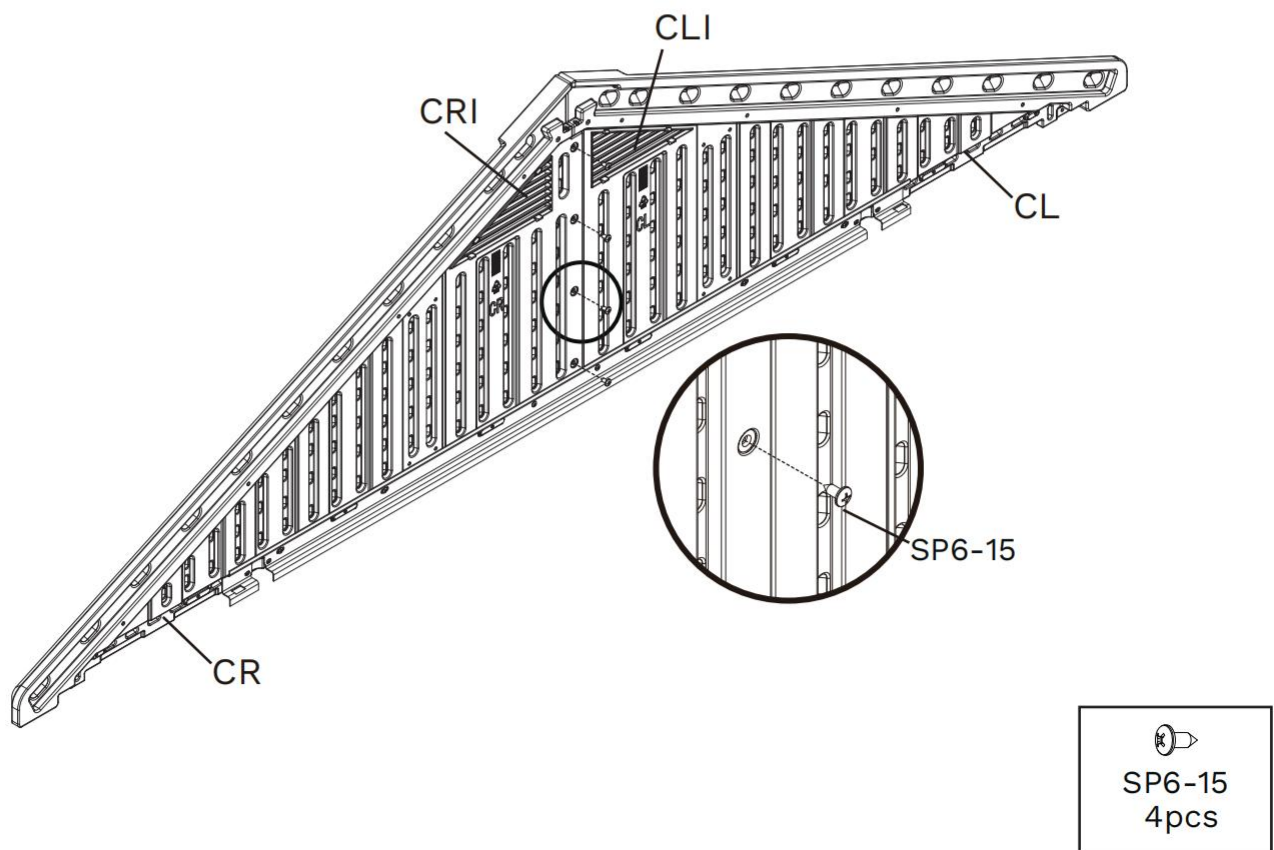



SP6-20
8 pcs

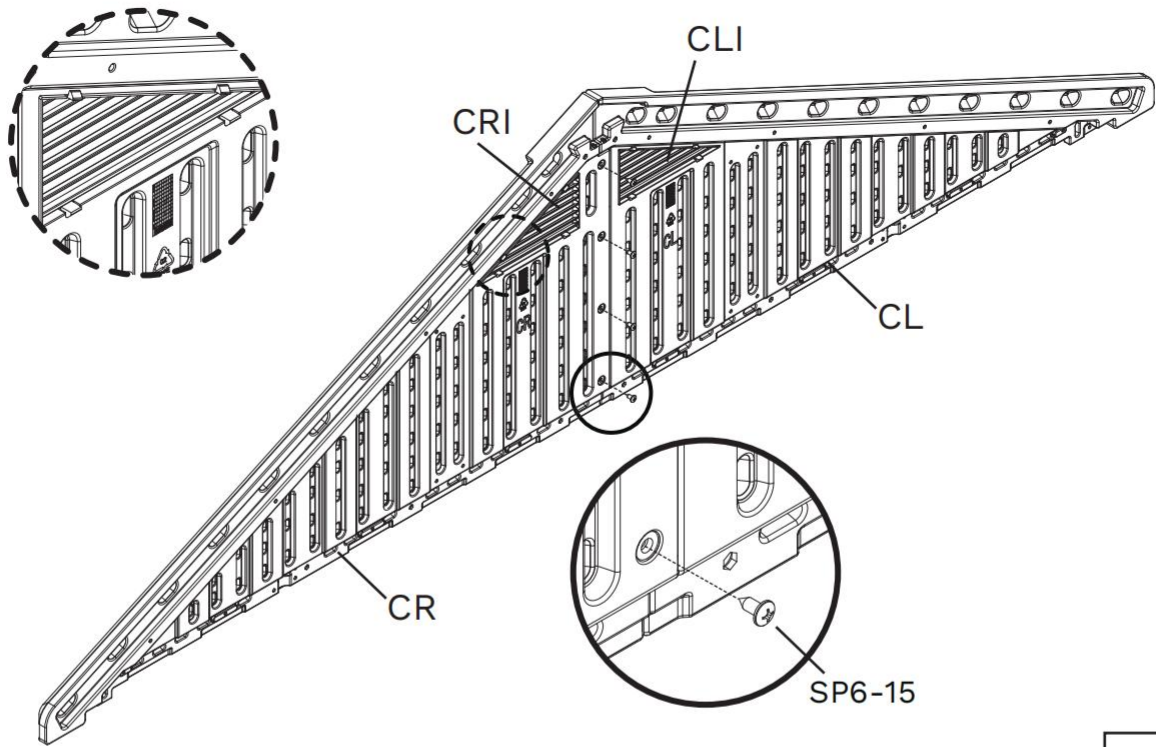
STEP 48




STEP 49

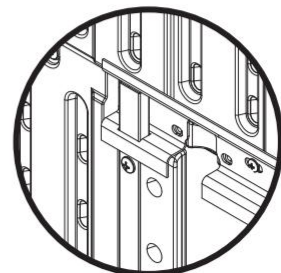
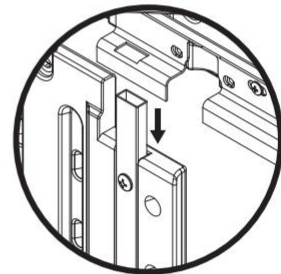
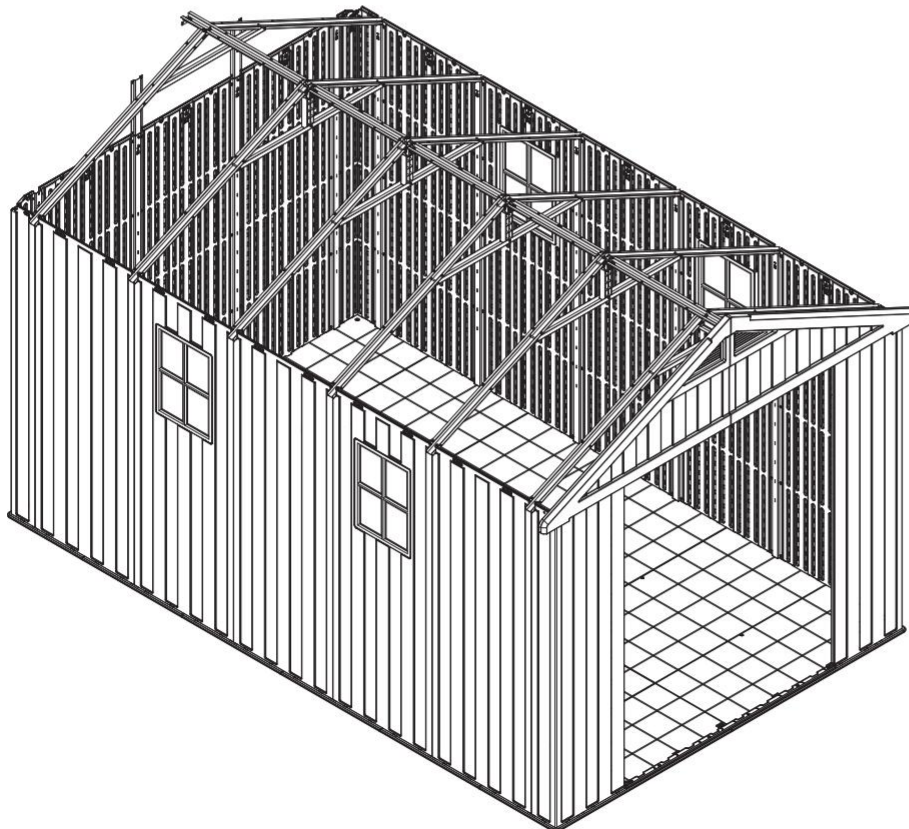


STEP 50

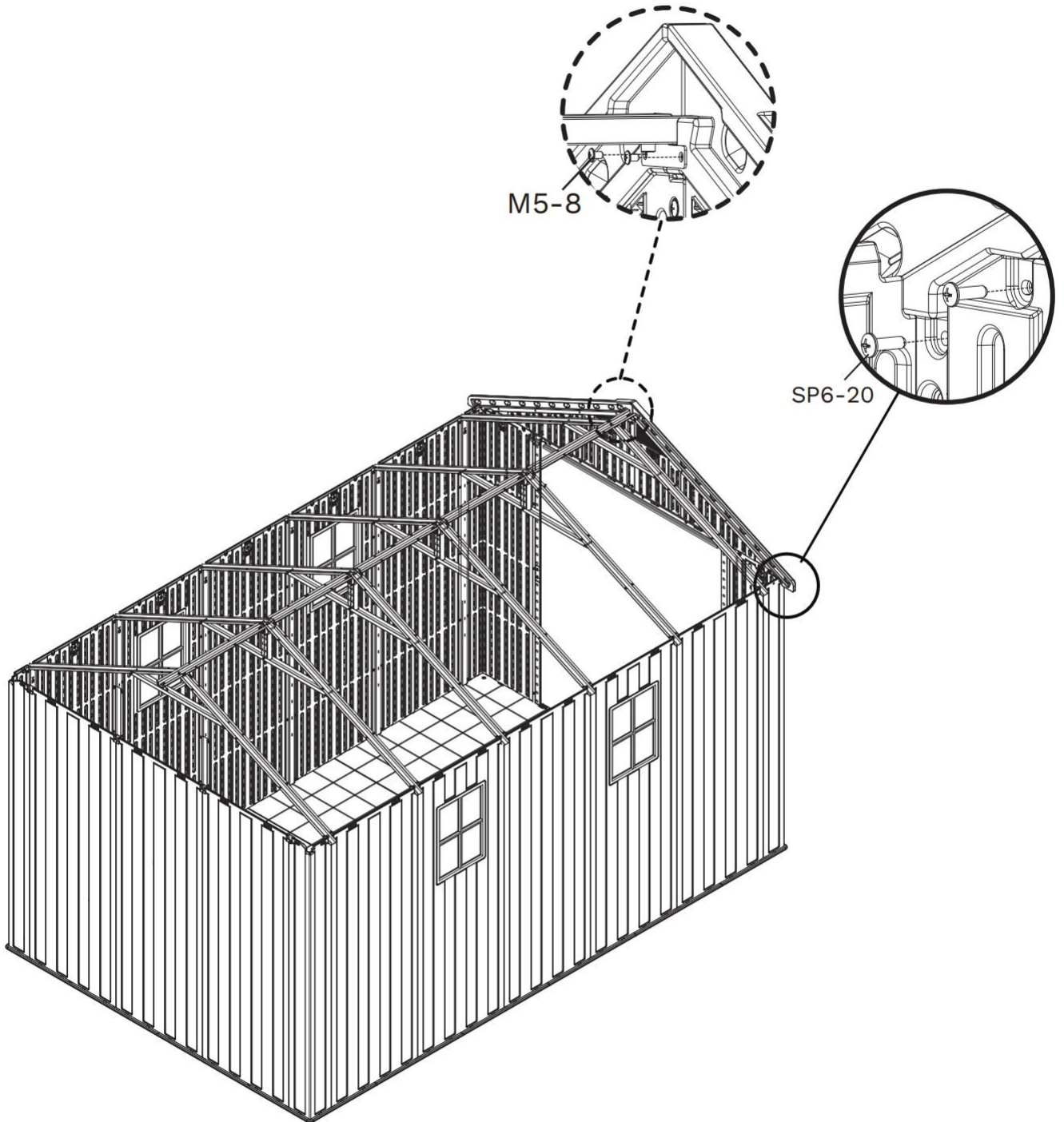





SP6-15
4pcs

STEP 51

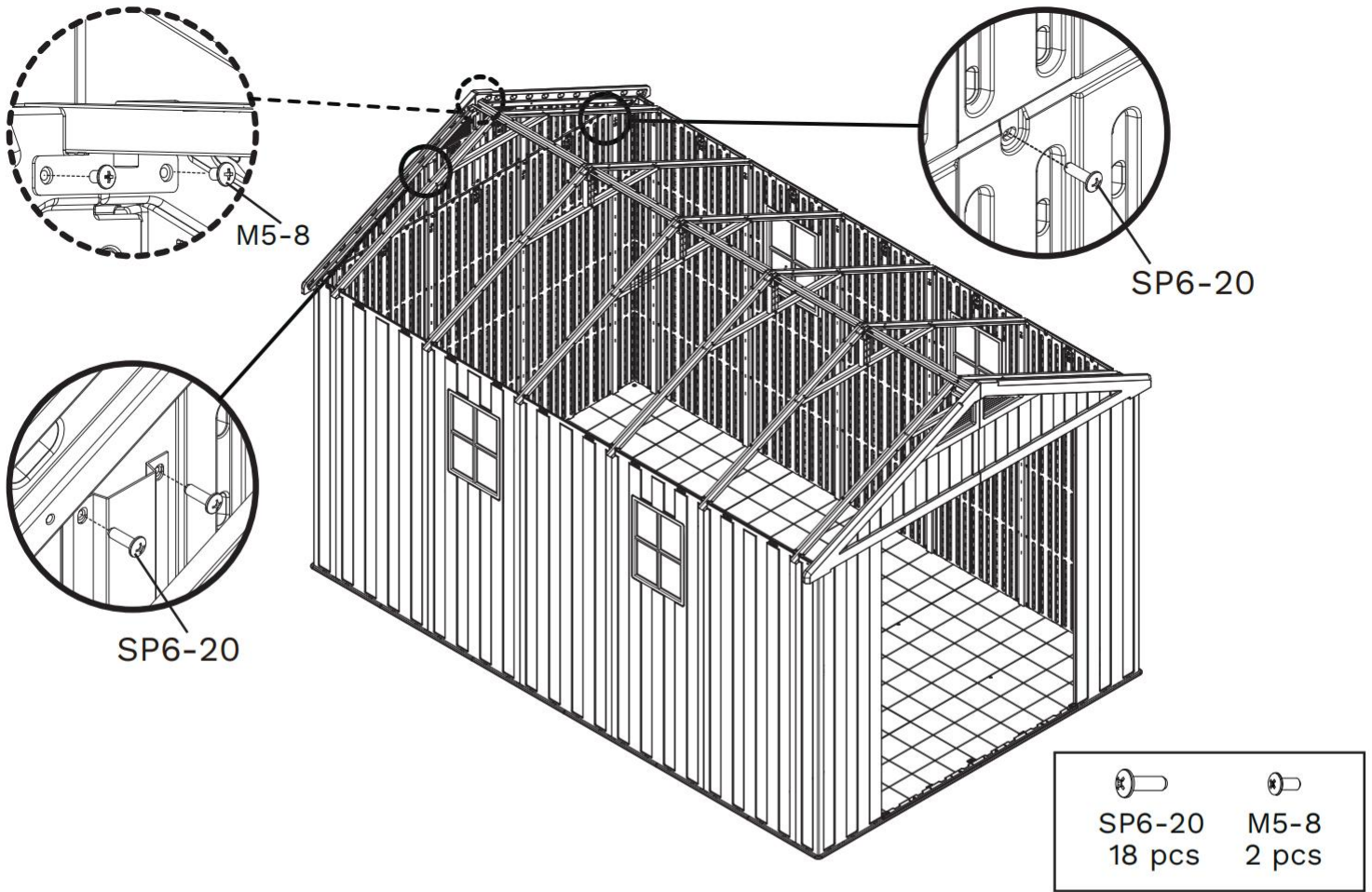


STEP 52

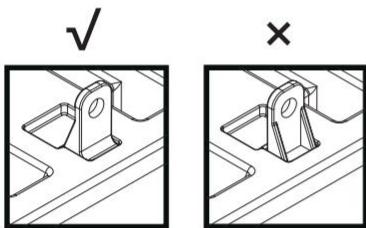


	
SP6-20	M5-8
6 pcs	2 pcs

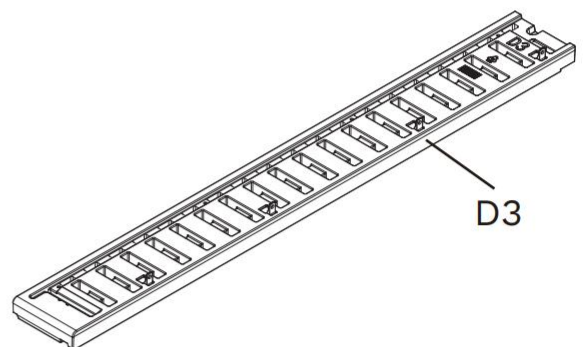
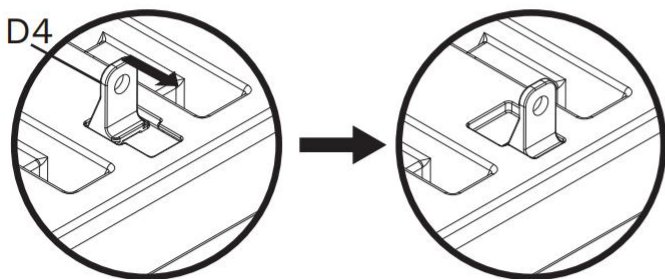
STEP 53



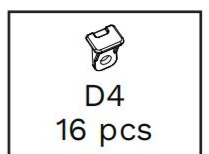
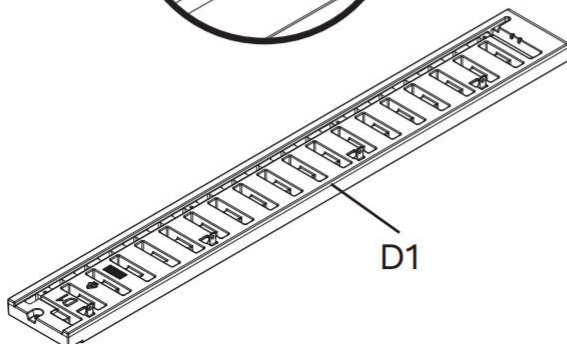
STEP 54



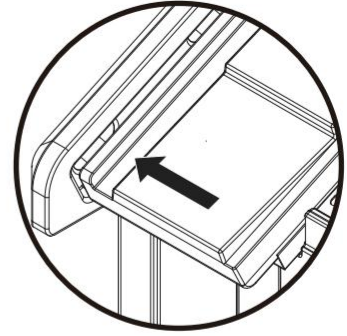
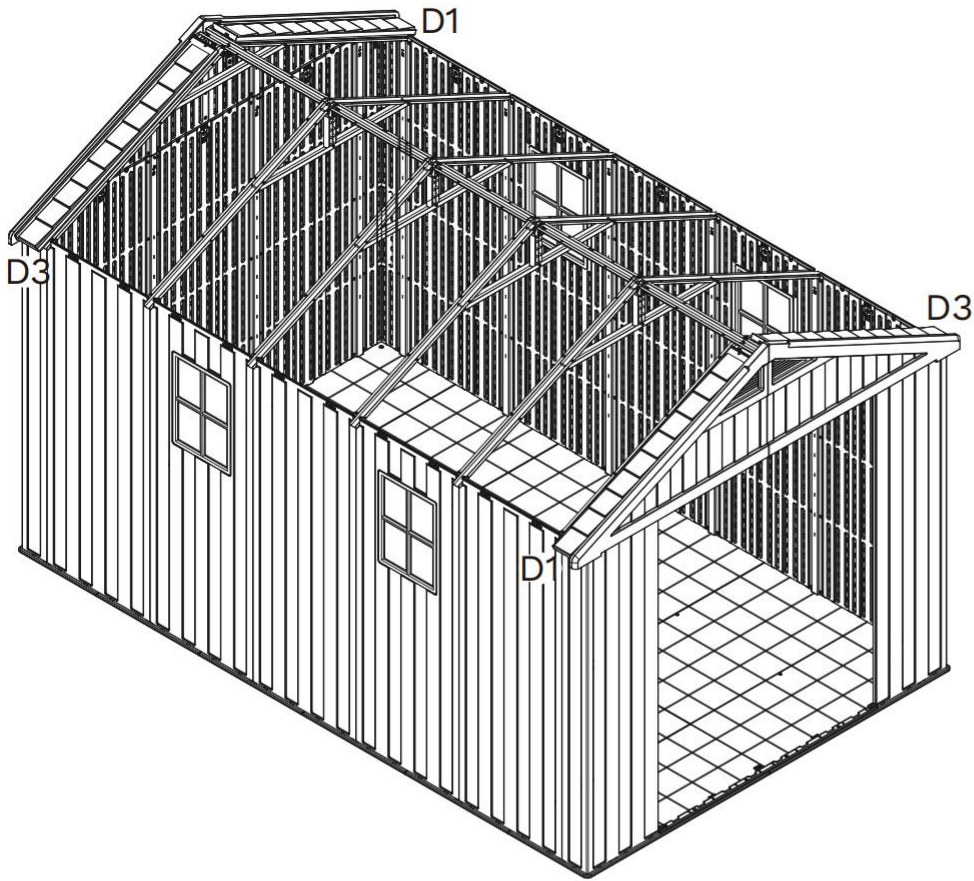
Note the mounting direction of D4.



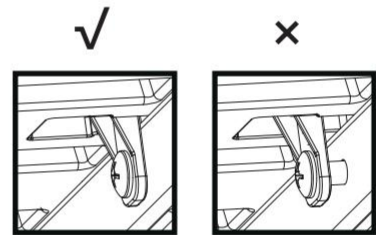
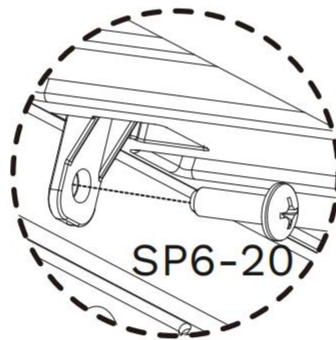
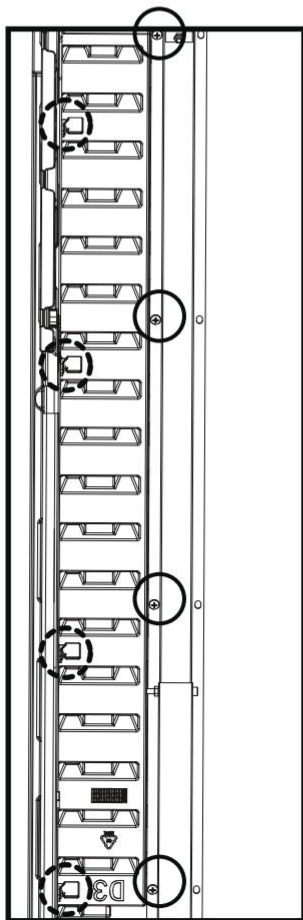
X2



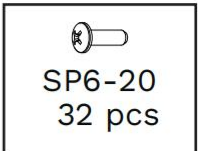
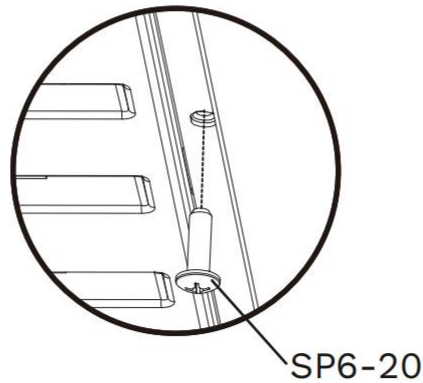
STEP 55



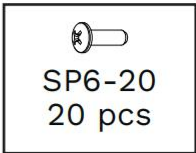
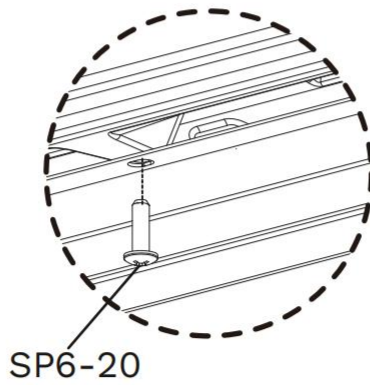
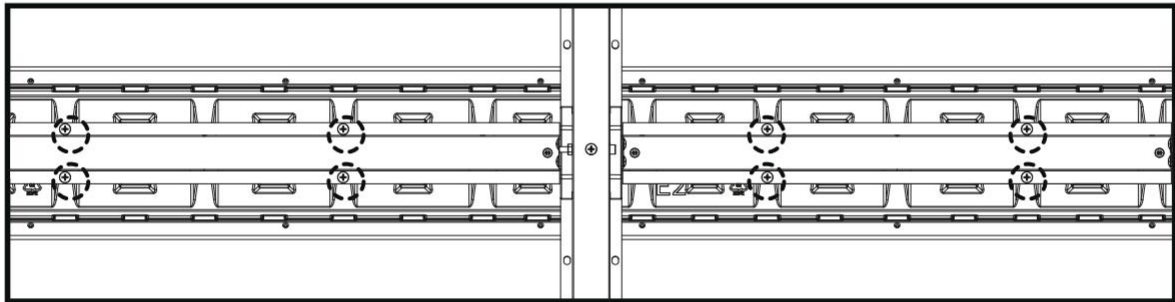
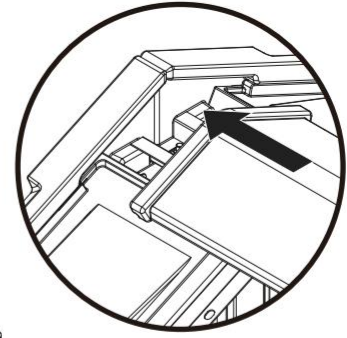
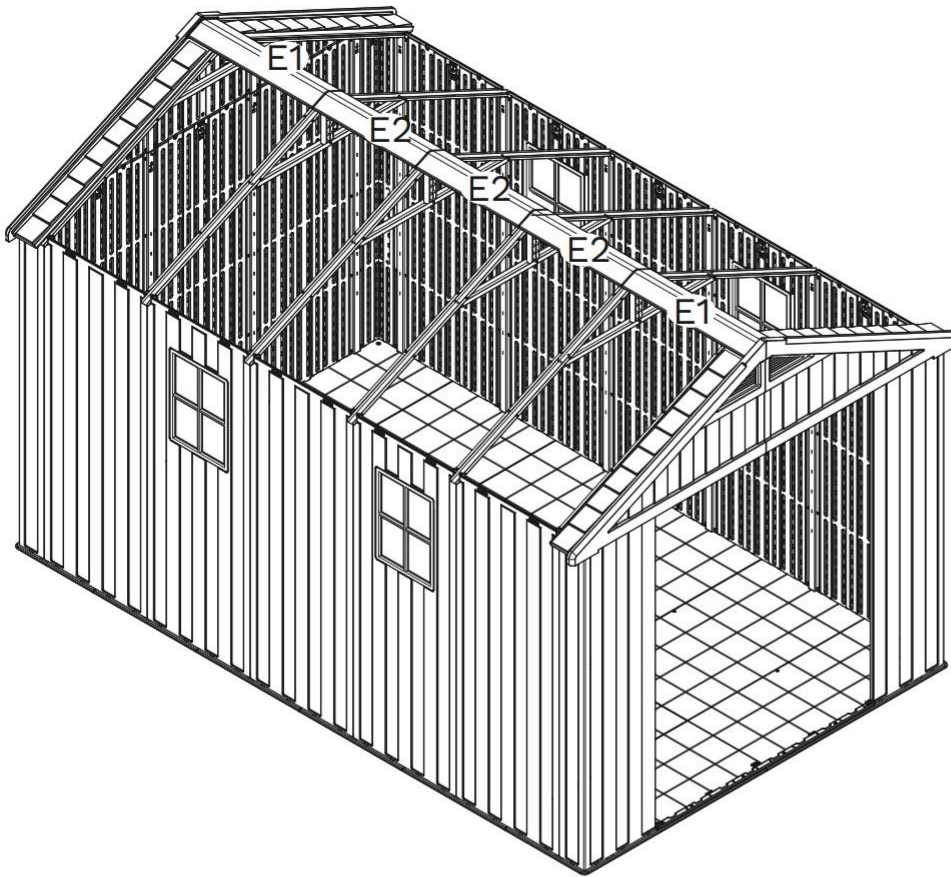
D1 and D3 are placed in the grooves of the iron frame, aligned with the grooves of the CL CR respectively and pushed forward.



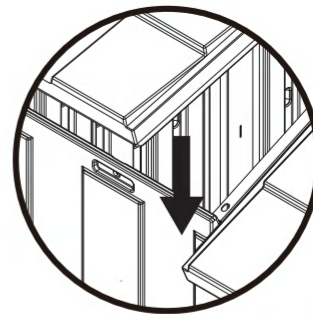
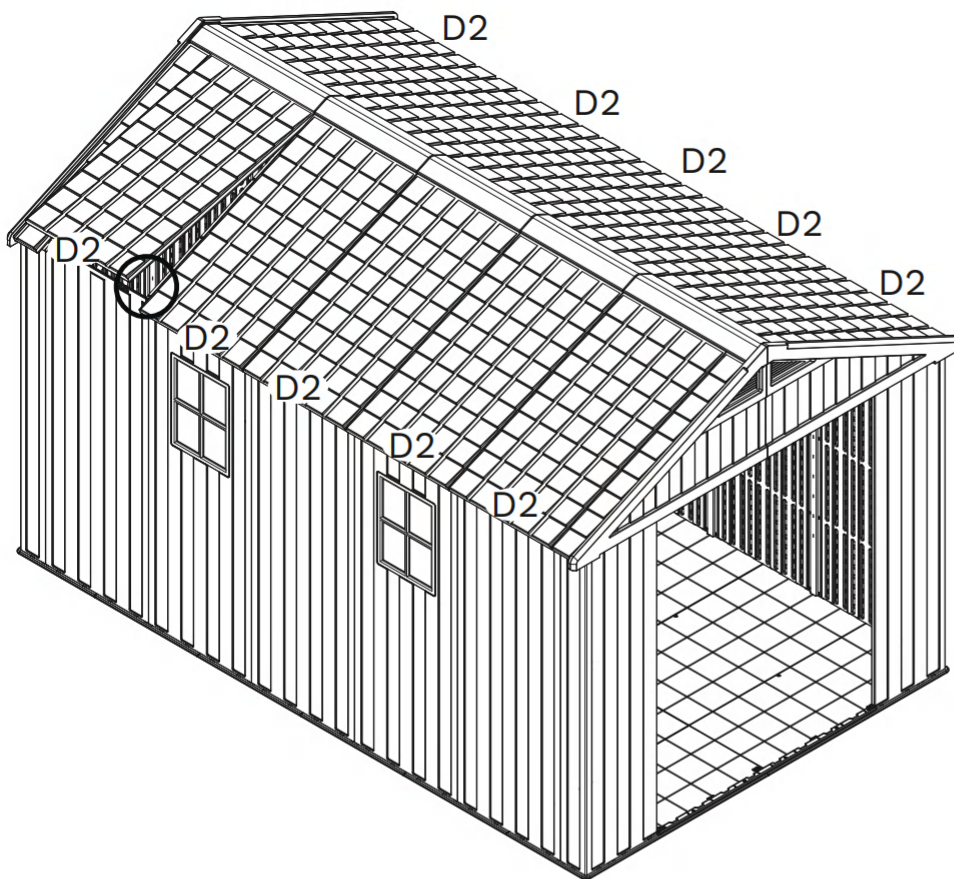
D4 should fit perfectly on the tripod.



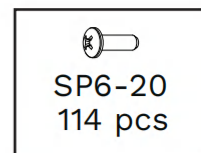
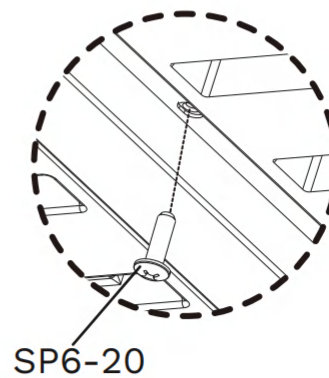
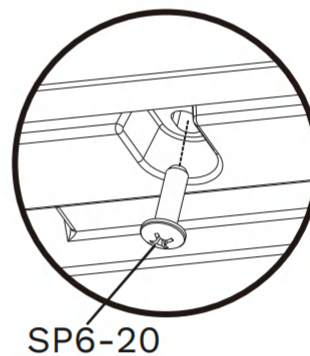
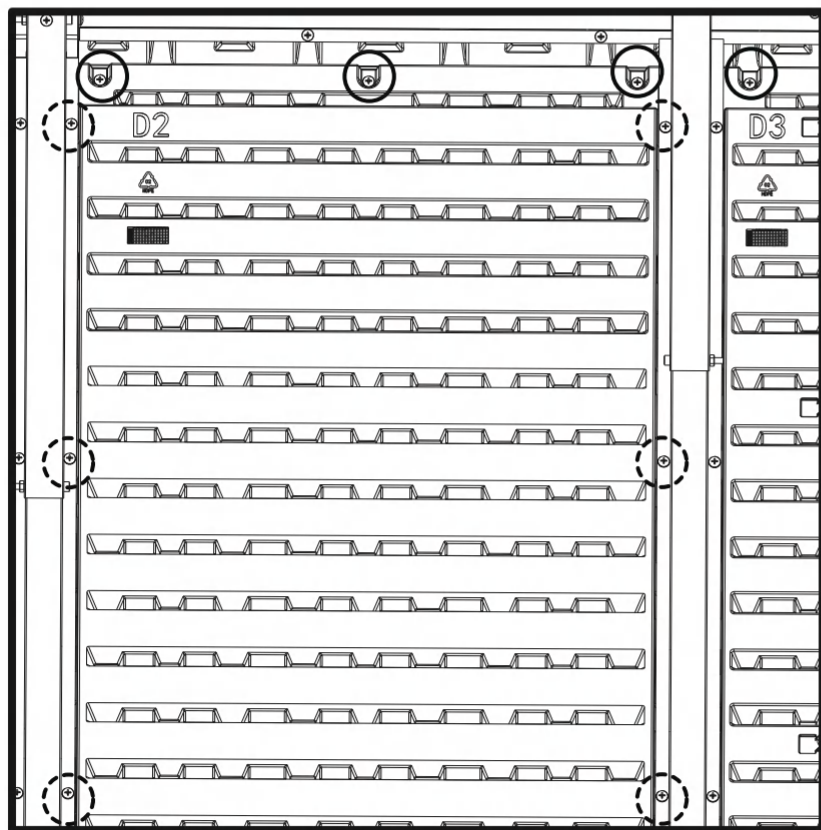
STEP 56



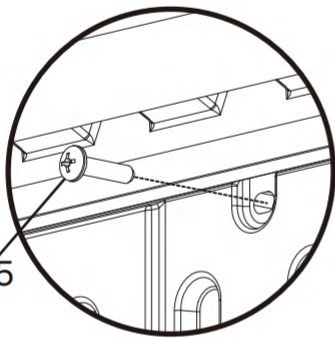
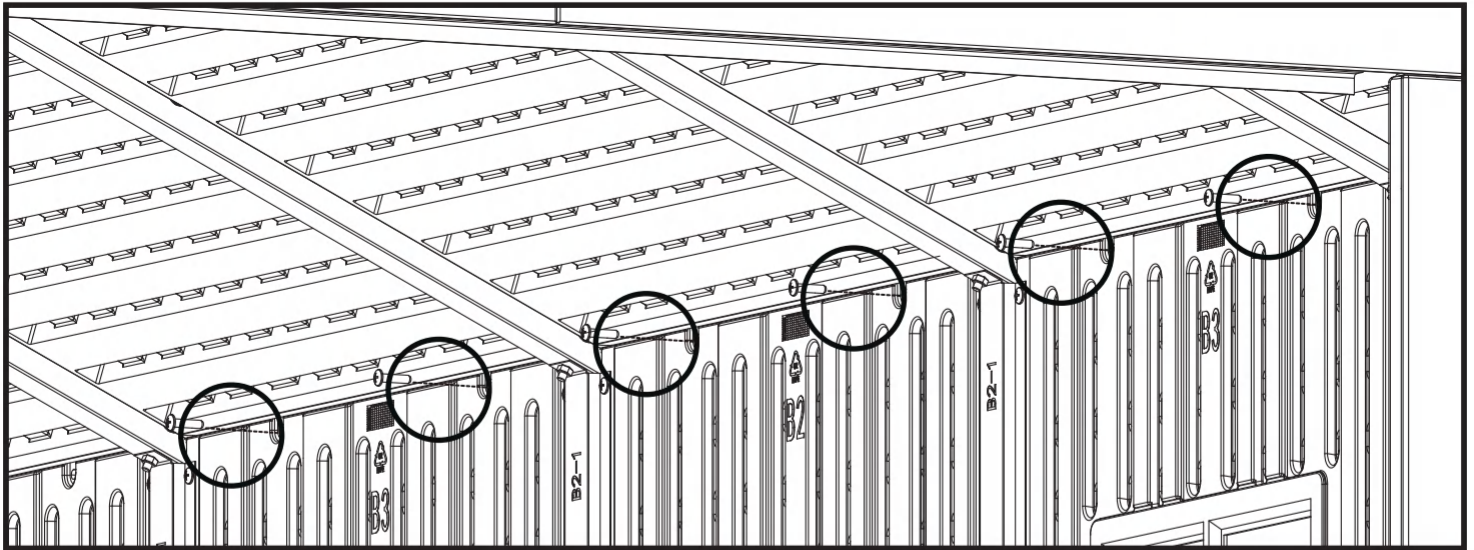
STEP 57



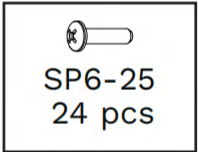
Tilt D2 into place, find the corresponding position and put it down.



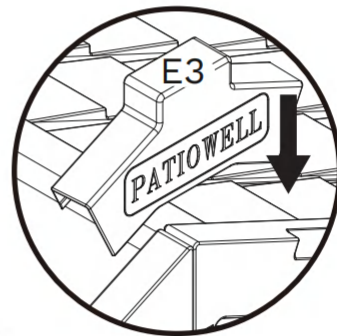
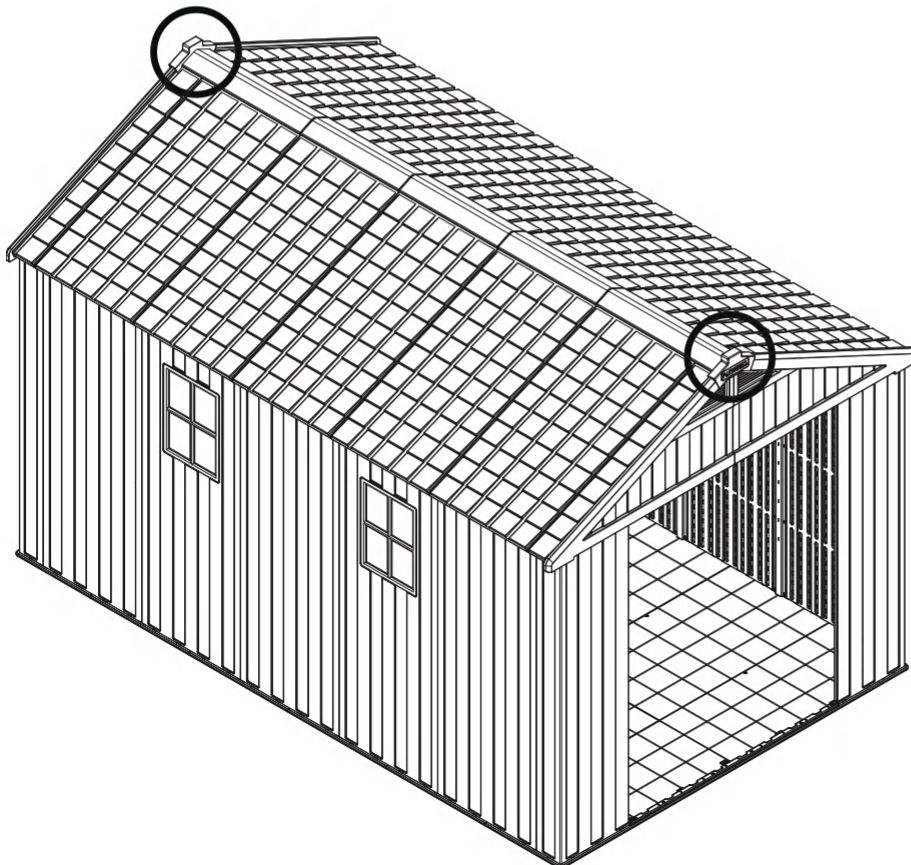
STEP 58



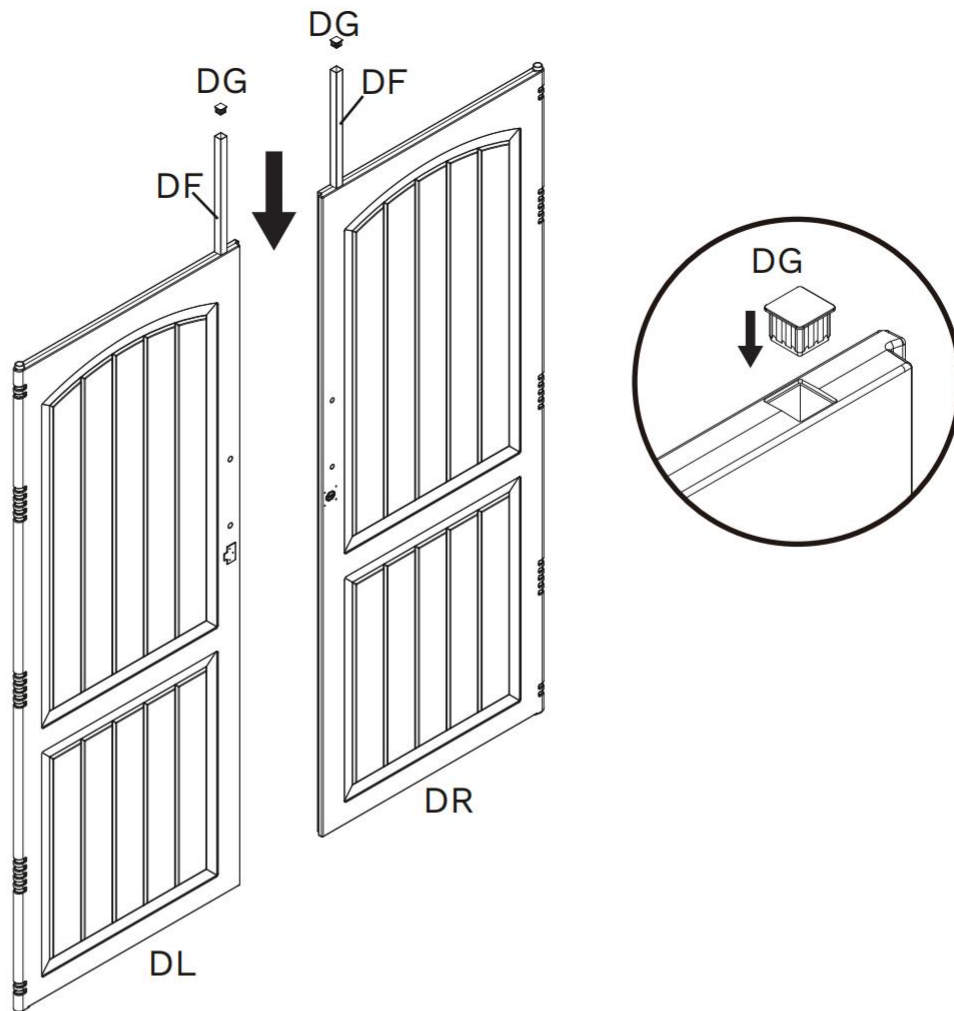
SP6-25



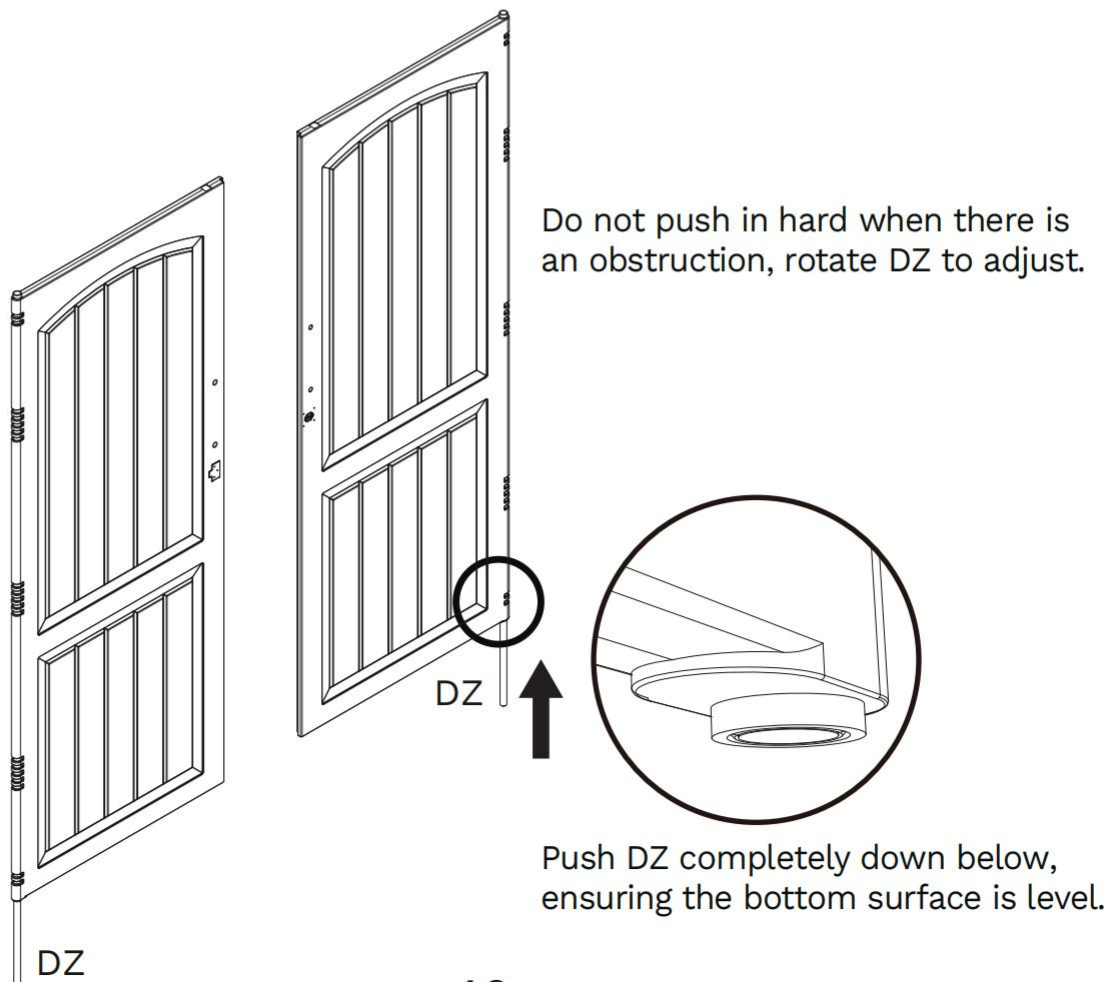
STEP 59



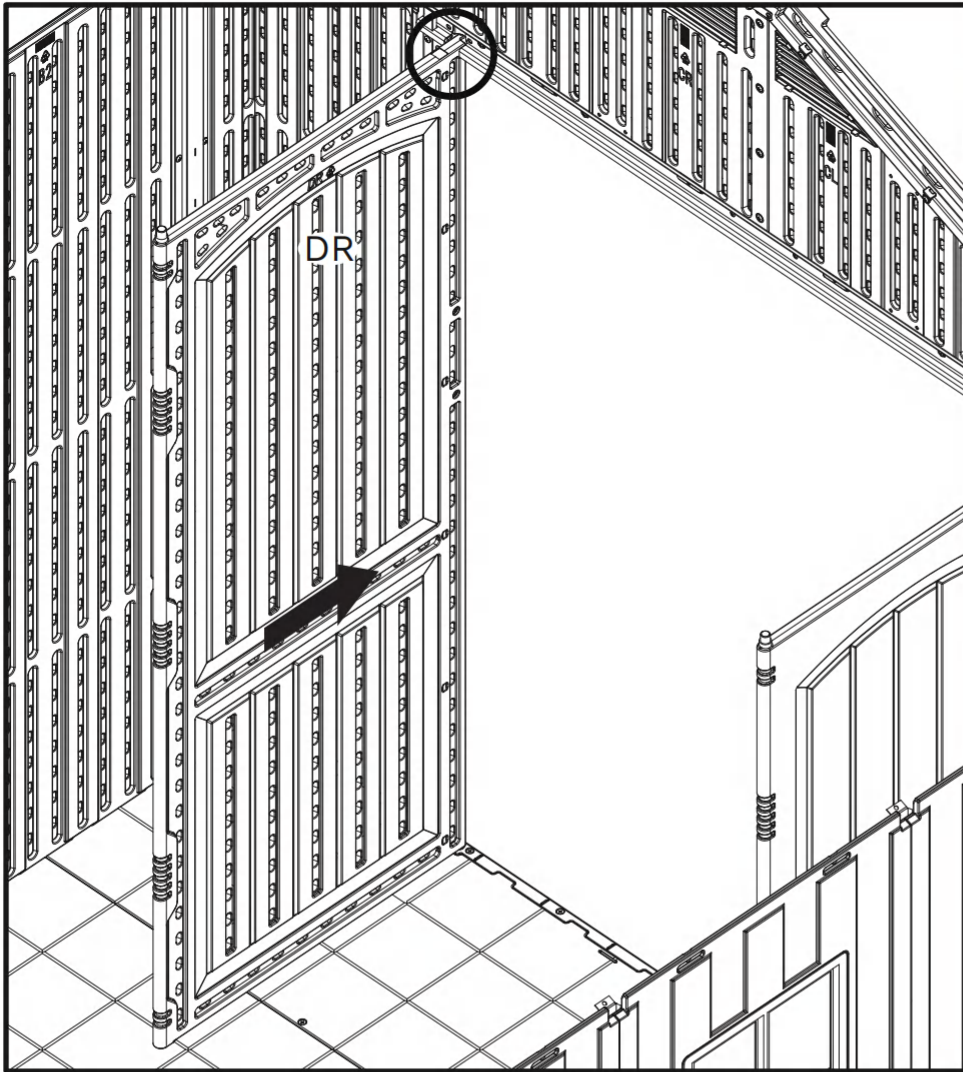
STEP 60



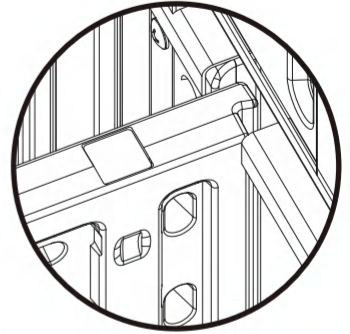
STEP 61



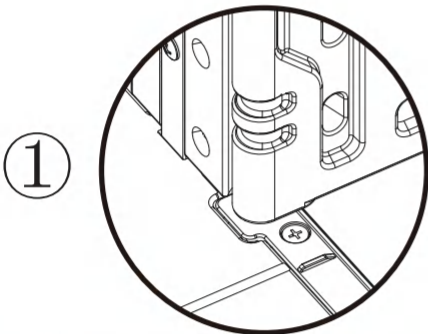
STEP 62



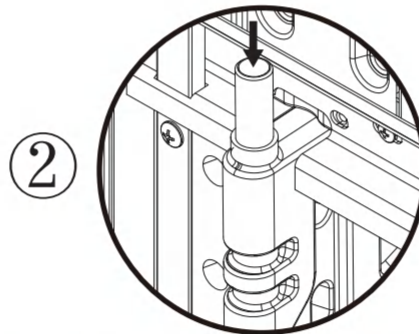
Before installation, please watch the video. Please follow the installation details in the video to avoid product damage.



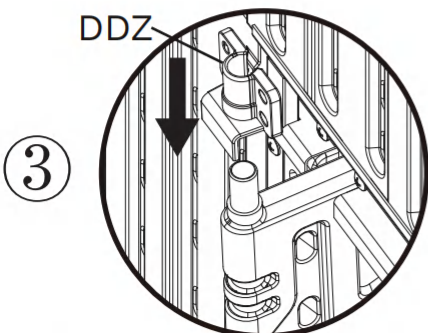
Take the DR and DL inside. Push it forward into position.



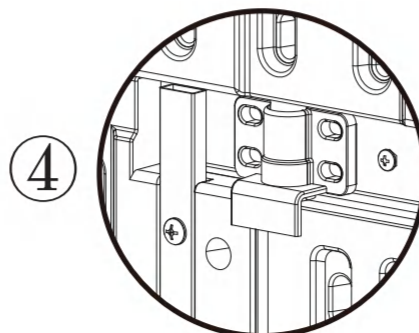
Push it into the groove of the floor.



Press the DZ downwards.

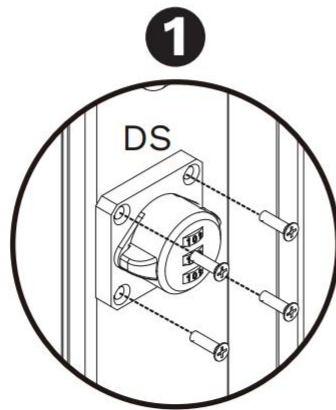
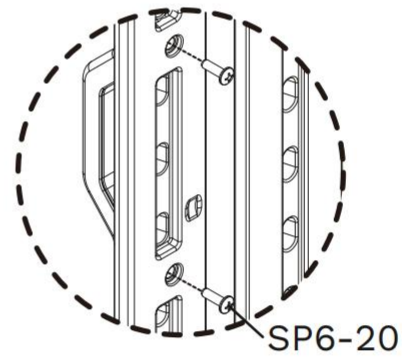
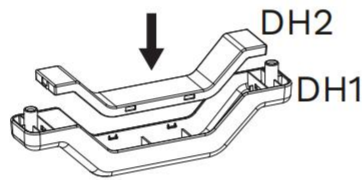
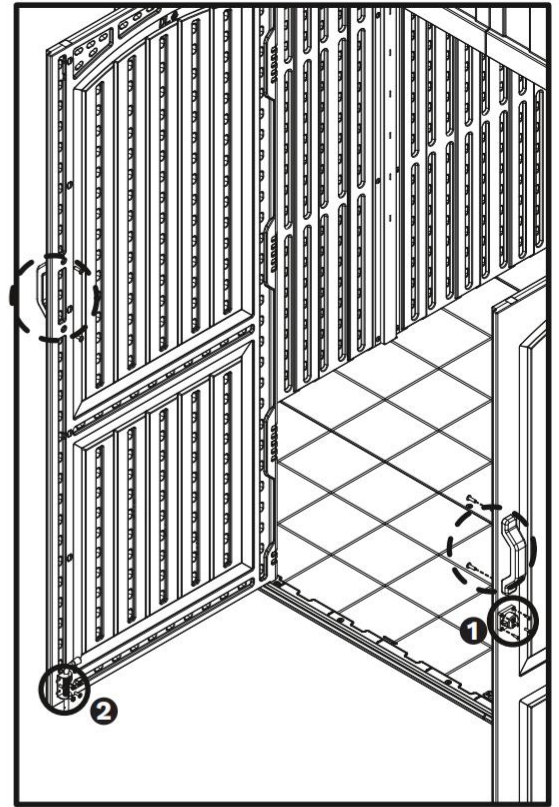
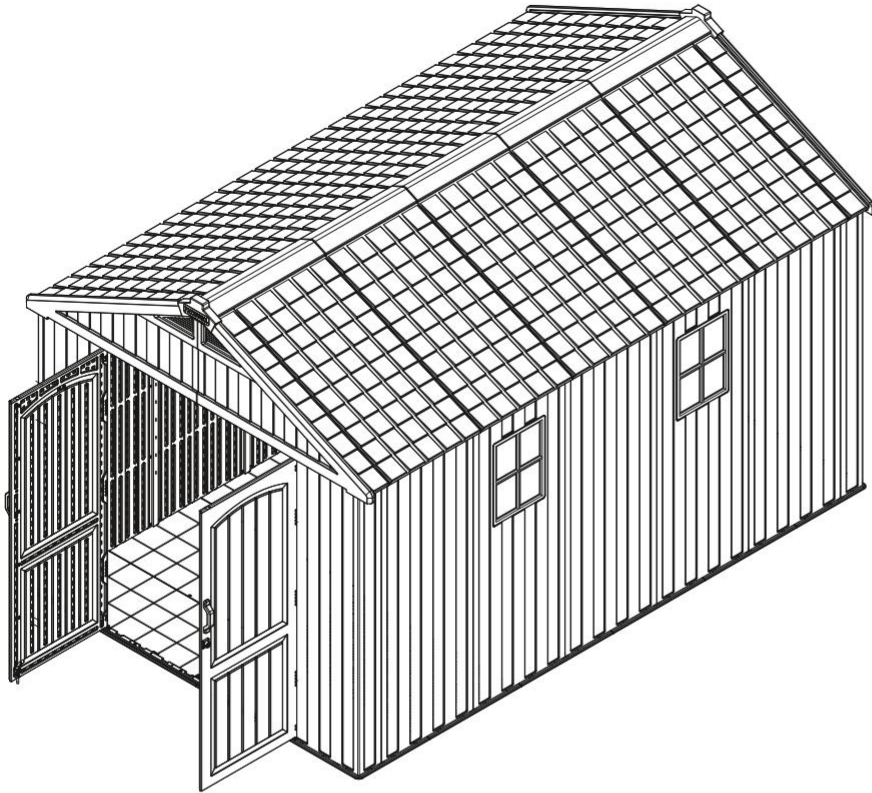


Tilting the DR and DL and snapping it into the DDZ.

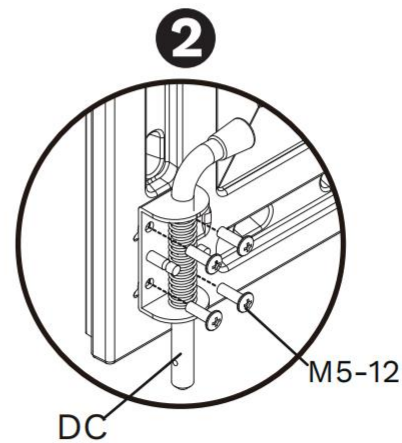




After inserting the DDZ, push the DR and DL to the fitting position.

STEP 63

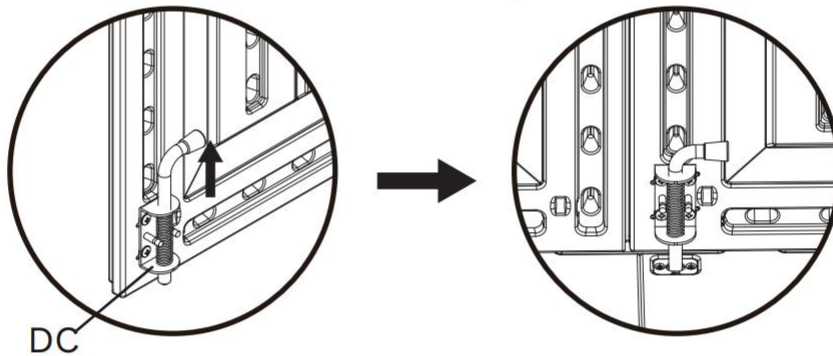
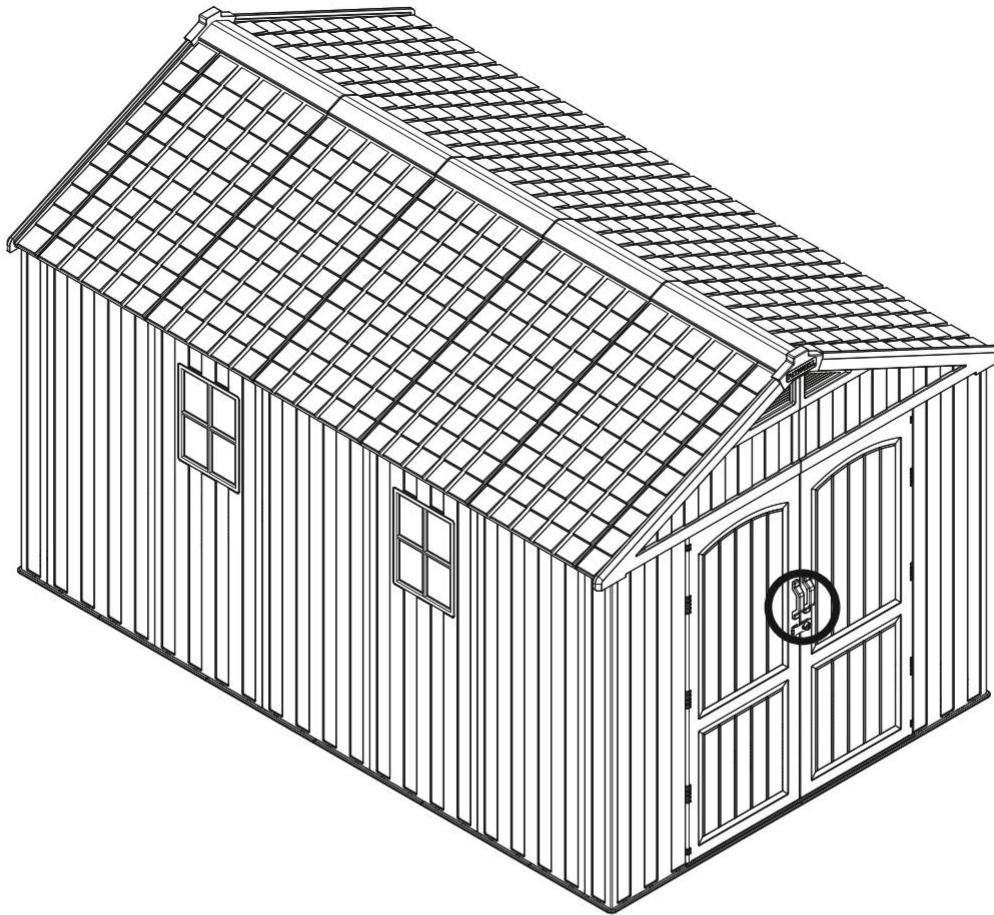


4 long screws for mounting part DS (lock part)



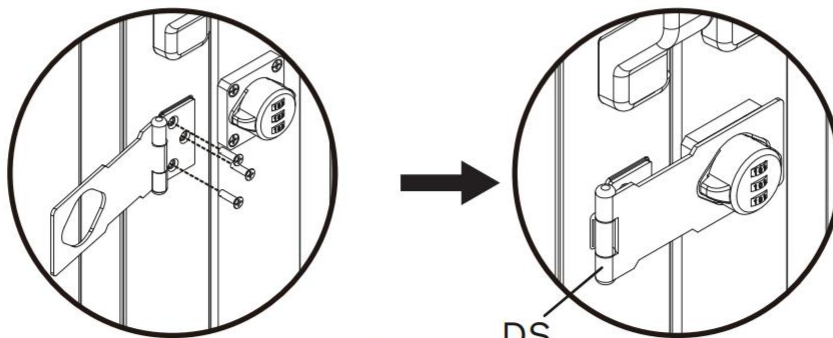
	
SP6-20	M5-12
4 pcs	4 pcs

STEP 64



DC

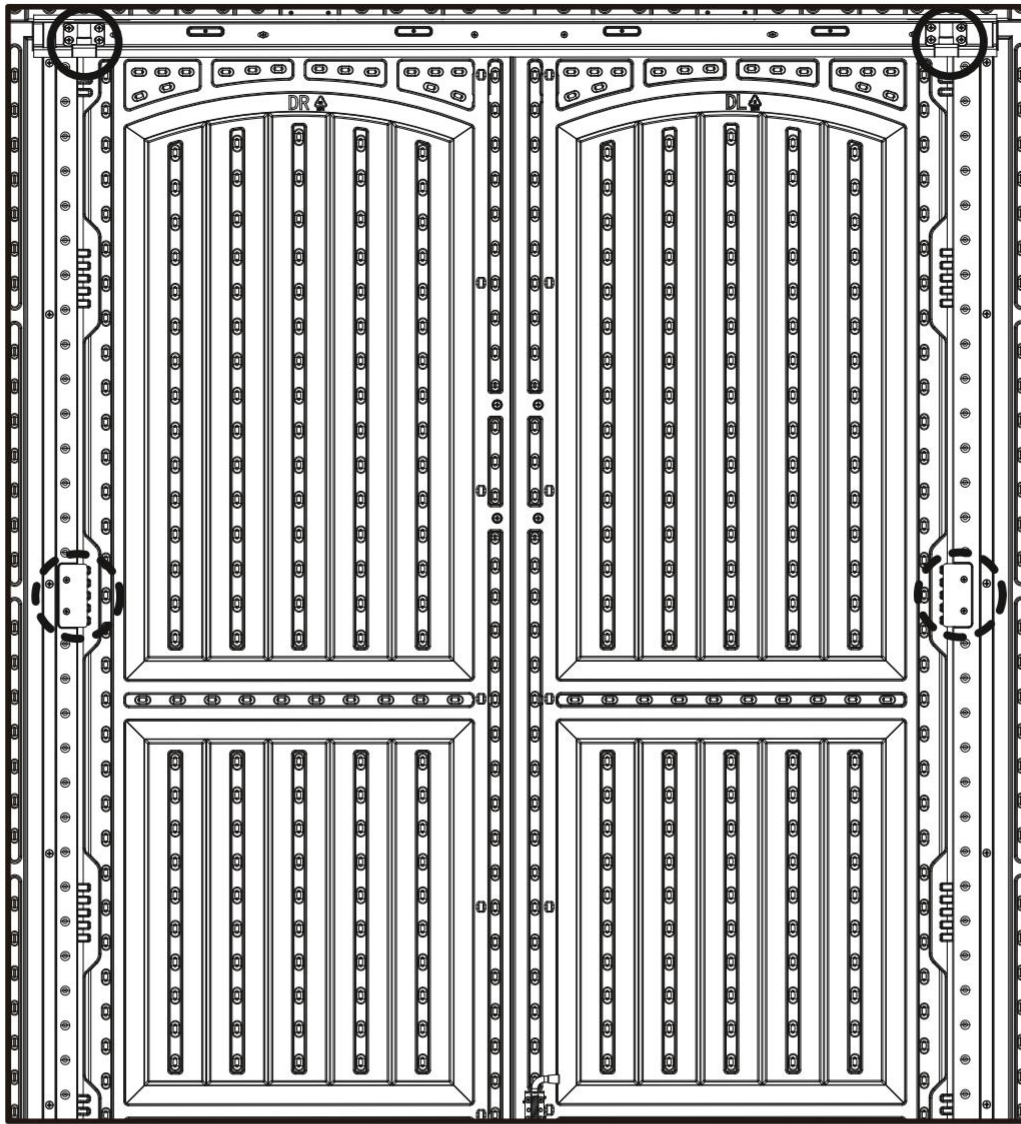
Remember to unplug the DC when closing the door and put it down when the door is closed.



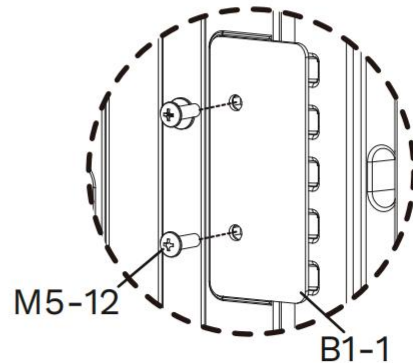
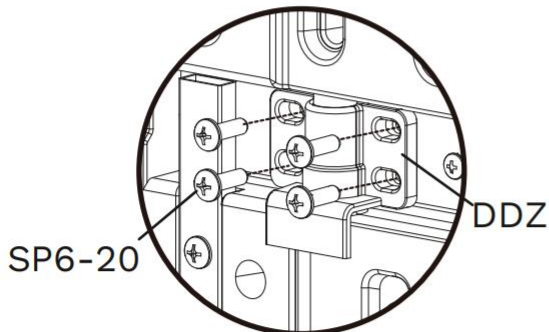
3 short screws for mounting part DS (hinge section)



DS

STEP 65



Two people are needed. One person closes the door and inserts the pin, while the other person adjusts the gap outside the door. After making sure the gap is even, the person inside installs DDZ screws SP6-20.



	
SP6-20	M5-12
8 pcs	4 pcs

CARE & SAFETY

- In case of fire, do not attempt to extinguish any burning polypropylene with water
- Unsuitable for storage of flammable or corrosive substances.
- It is of utmost importance to assemble all of the parts according to the directions. Do not skip any step.
- Please consult your local authorities if any permits are required to erect shed.
- Periodically check shed to assure that it remains stable and that the site remains level.
- It is highly recommended to secure the shed to an immovable object or to the ground by drilling holes in the floor at the pre-marked locations and inserting proper screws into the ground (size: 1.9"-3" ,screws are not included).
- Wear safety-goggles and always follow the manufacturer's instructions when using power tools.
- Wash shed with garden hose or a mild detergent solution. Using a stiff brush or abrasive cleaner could damage shed.
- Hot items such as recently used grills, blowtorches, etc. must not be stored in the shed.
- Heavy articles should not be leaned against the walls, as this may cause distortion.
- Keep roof clean of snow and leaves. Heavy amounts of snow on roof can damage the shed making it unsafe to enter.
- Although wind direction varies, it is an important factor when taking into account where to place your shed. Therefore, it is recommended to reduce wind exposure of the shed in general, and the door side in particular.
- Keep doors closed and locked to prevent wind damage.
- Do not stand on the roof.