

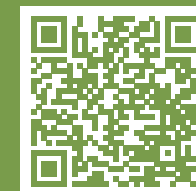
ASSEMBLY INSTRUCTIONS

METAL GARDEN SHED

SKU: T-PS23-0356A

BE
YOUR
LIFE BUILDER

www.patiowell.com



 Patiowell
Metal Garden House
Installation Tutorial
[https://www.patiowell.com/
pages/video-t-ps23-0356a](https://www.patiowell.com/pages/video-t-ps23-0356a)

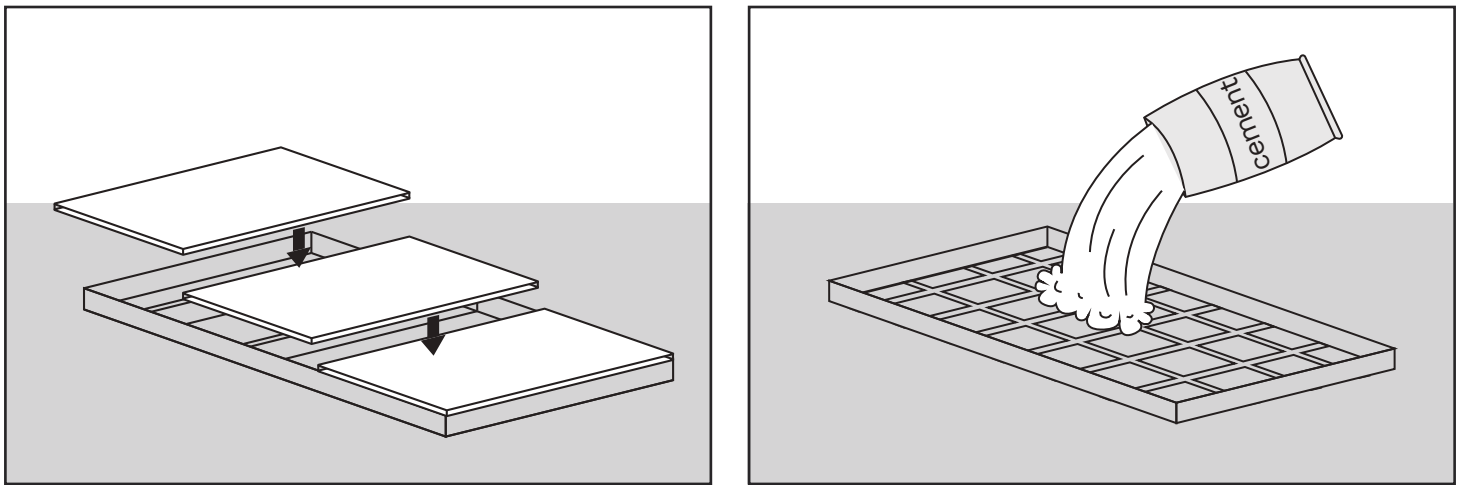
 saleservice@patiowell.com

SITE PREPARATION

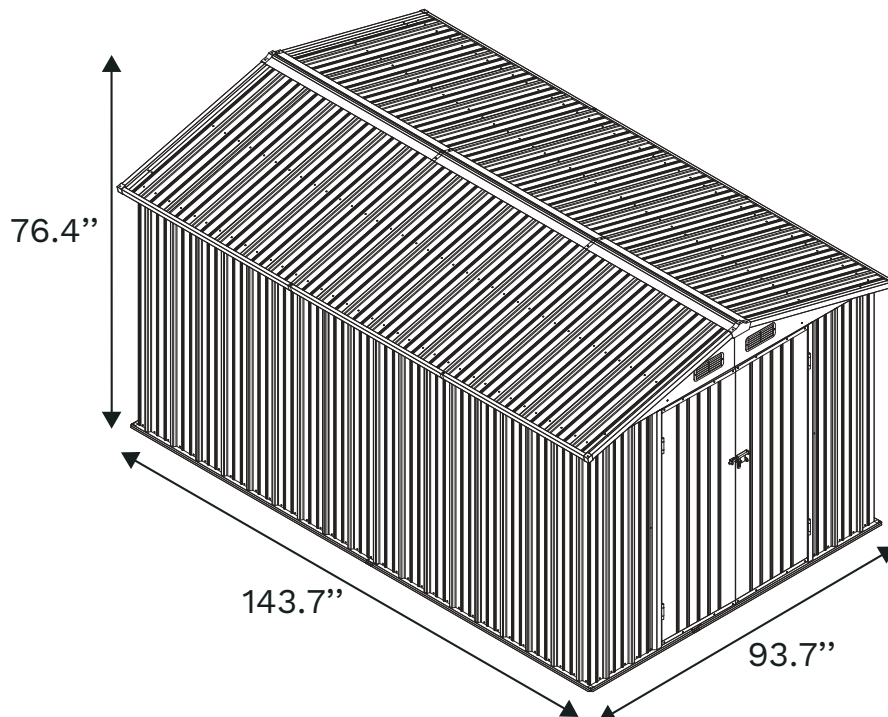
Level the ground surface.



Recommendation: Construct a wooden or concrete base as a foundation.



The external dimensions of the product :



BEFORE STARTING ASSEMBLY

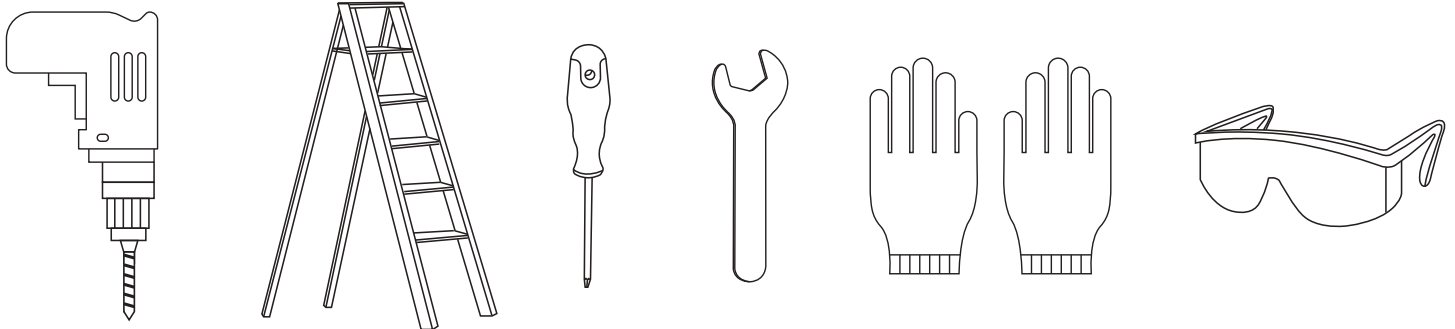
Remove all of the pieces from the 3 packages and spread them out on the ground. Before installation, please check the type and quantity of parts first.

It is recommended to use a clean work surface to spread the parts out and for pre-assembly steps. Review all instructions before you begin, continue to refer to instructions during assembly.

Be sure to follow all steps thoroughly.

Please prepare these components in advance at the beginning of each stage.

REQUIRED TOOLS



CAUTION

Some parts have steel edges. Please be careful when handling components. Always wear work gloves, eye protection and long sleeves when assembling or performing any maintenance on your shed. Do not attempt assembly on days with strong winds or low temperatures.



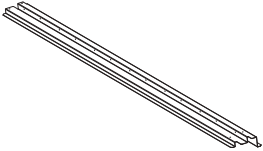
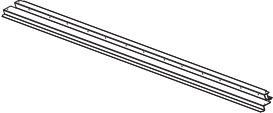
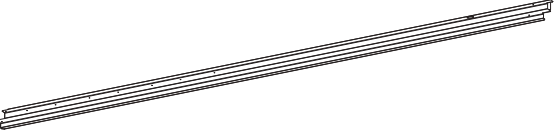
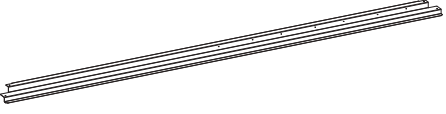
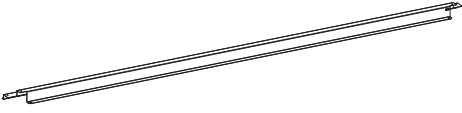
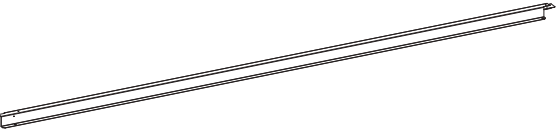
Requires two people and takes 2-3 hours for Installation. Recommended to wear gloves to avoid scratches. Please read the manual carefully before installation.

**DO NOT RETURN YOUR UNIT
TO THE STORE**

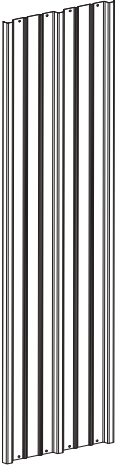
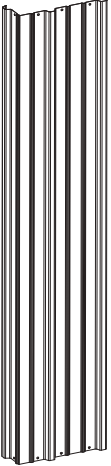
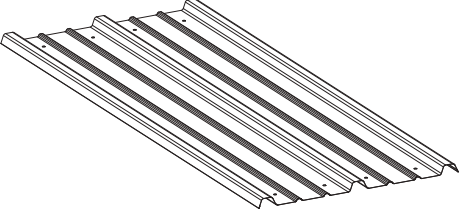
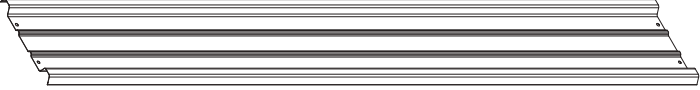
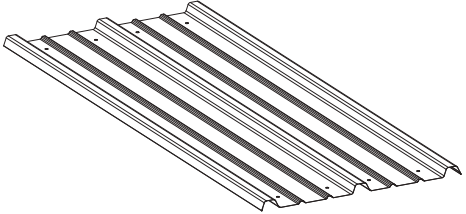
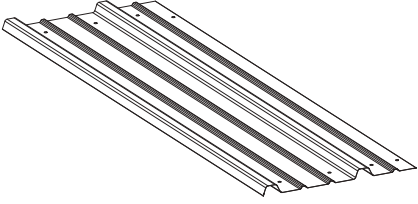
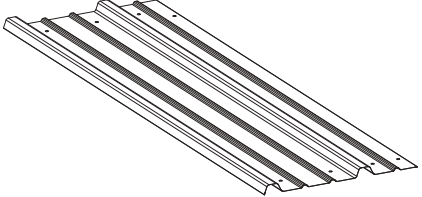
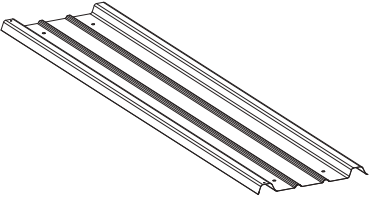
Contact us first

saleservice@patiowell.com

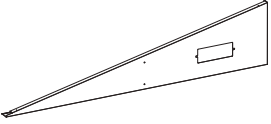
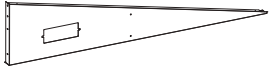
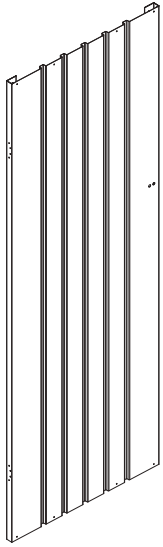
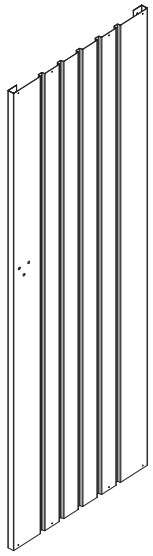




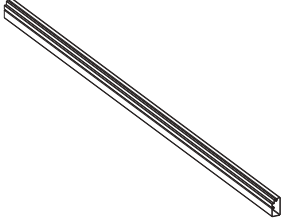
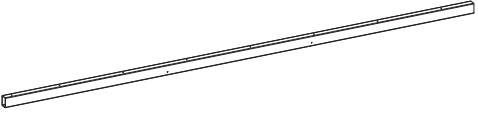
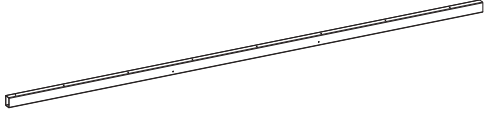
FOUNDATION

<p>1 X2</p> 	<p>2 X2</p> 
<p>BE1L X1</p> 	<p>BE1 X1</p> 
<p>BE2L X1</p> 	<p>BE2 X1</p> 

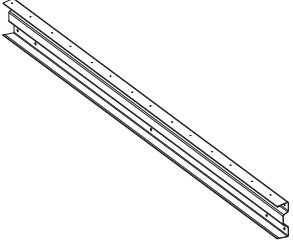
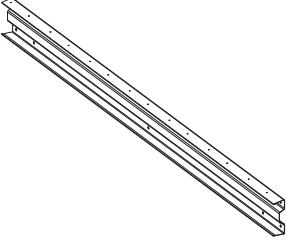
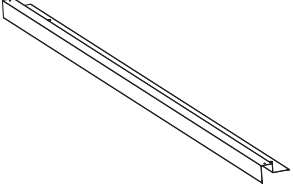
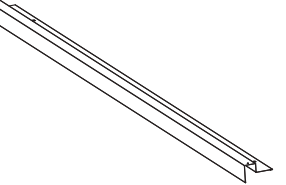



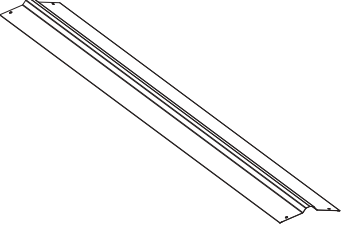
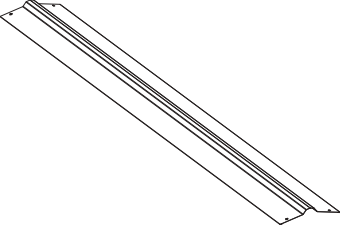
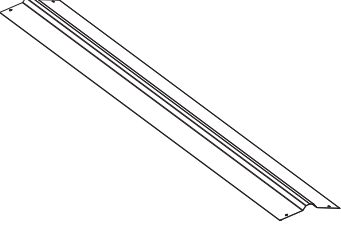




PLATES

 <p>W1A X20</p>	 <p>WS2A X4</p>	 <p>PE3 X4</p>
 <p>WS3A X4</p>		 <p>PE4 X10</p>
 <p>PE6 X2</p>	 <p>PE5 X2</p>  <p>PE2 X2</p>	

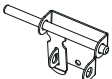


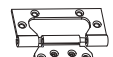

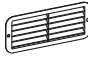
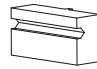
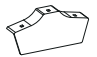
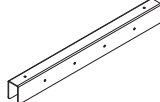


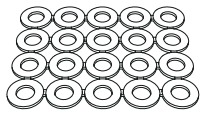
PLATES

<p>A3 X2</p> 	<p>A4 X2</p> 	
<p>DLA X1</p> 	<p>DRA X1</p> 	
<p>ULA X1</p> 	<p>UR1 X1</p> 	<p>DX2 X4</p> 
<p>8 X1</p> 	<p>9 X4</p> 	
<p>10L X1</p> 	<p>10R X1</p> 	

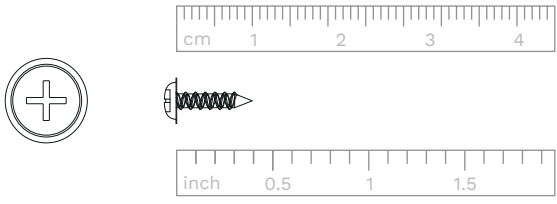
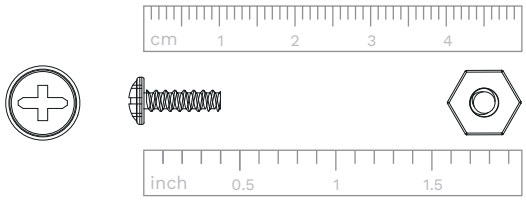
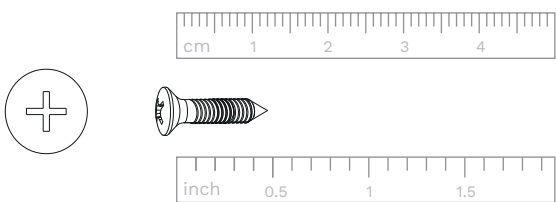
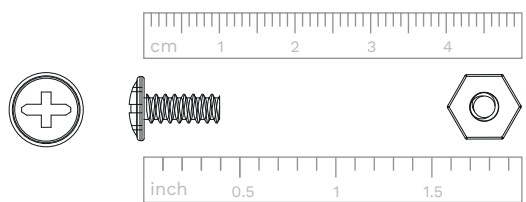
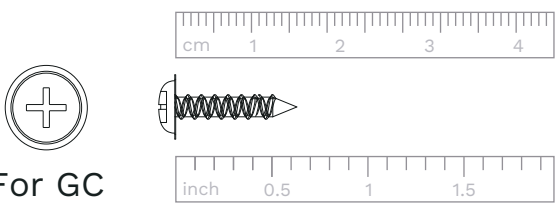
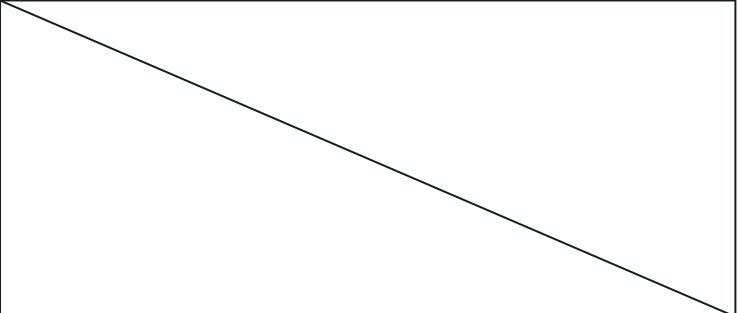
STRIPS

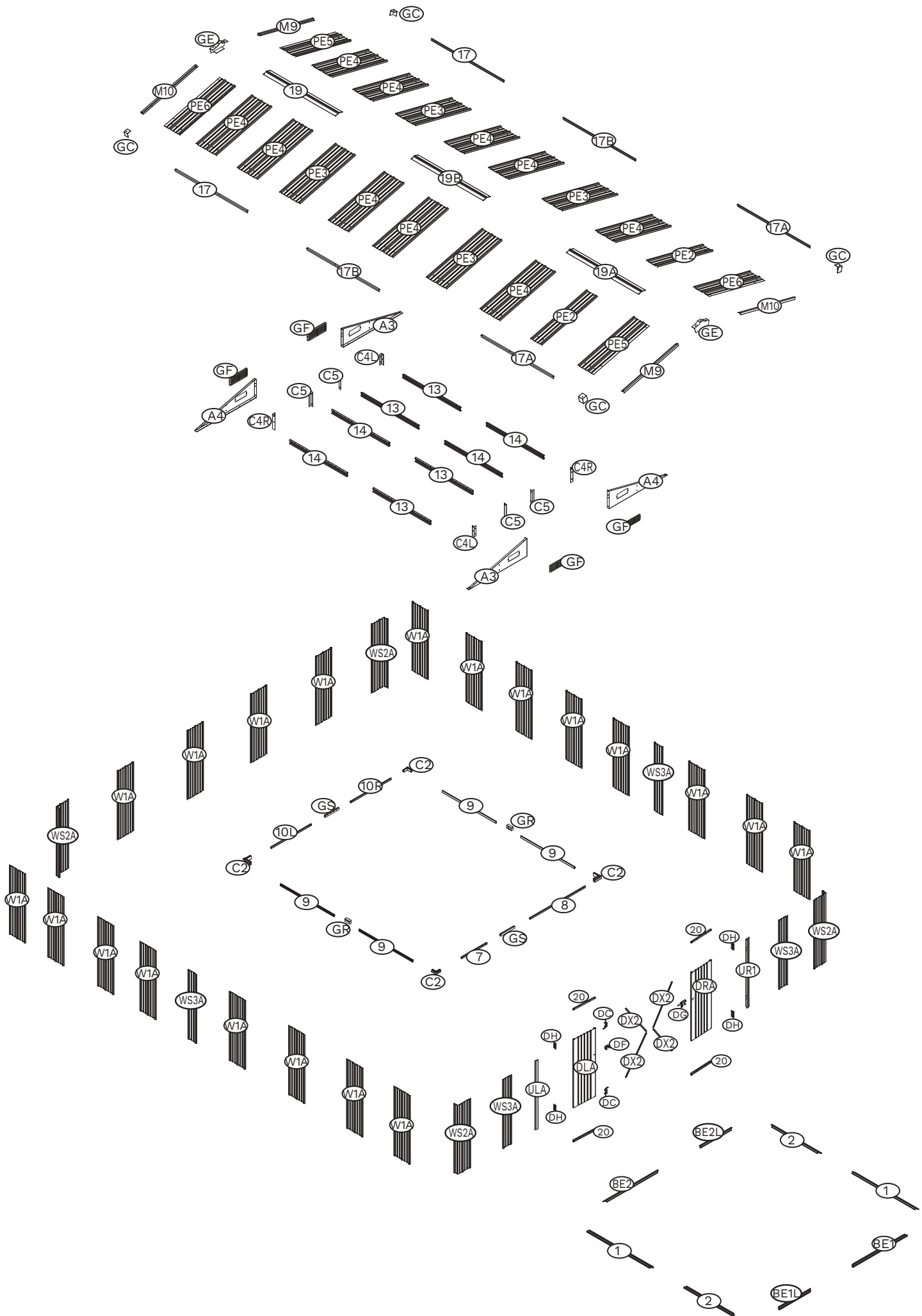
 <p>13 X4</p>	 <p>14 X4</p>		
 <p>M9 X2</p>	 <p>M10 X2</p>		
 <p>17 X2</p>	 <p>17A X2</p>		
 <p>17B X2</p>	 <p>19A X1</p>		
 <p>19 X1</p>	 <p>19B X1</p>		
 <p>C4L X2</p>	 <p>20 X4</p>	 <p>C5 X4</p>	 <p>C4R X2</p>

STANDARD

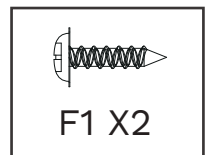
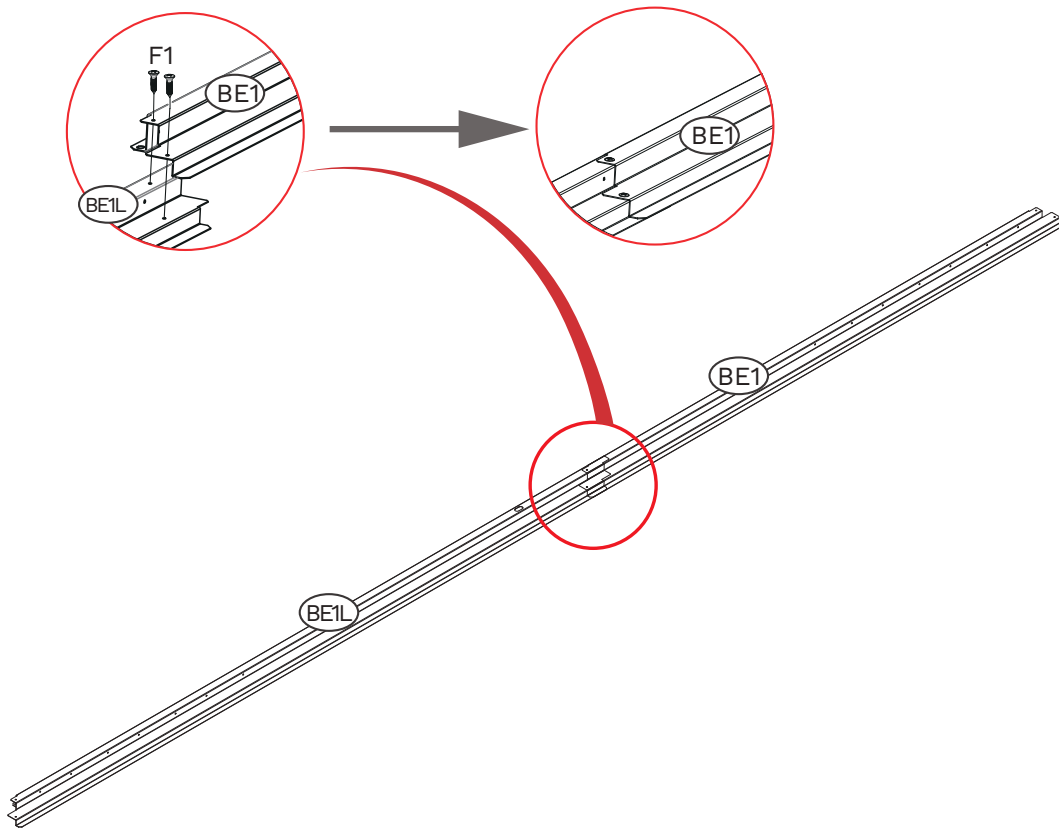
 <p>DG X1</p>	 <p>DF X1</p>	 <p>DC X2</p>	 <p>DH X4</p>
 <p>C2 X4</p>	 <p>GF X4</p>	 <p>GR X2</p>	 <p>GE X2</p>
 <p>GS X2</p>	 <p>GC X4</p>	 <p>S1 X144</p>	 <p>V2 X535</p>

SCREW

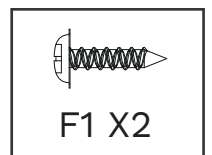
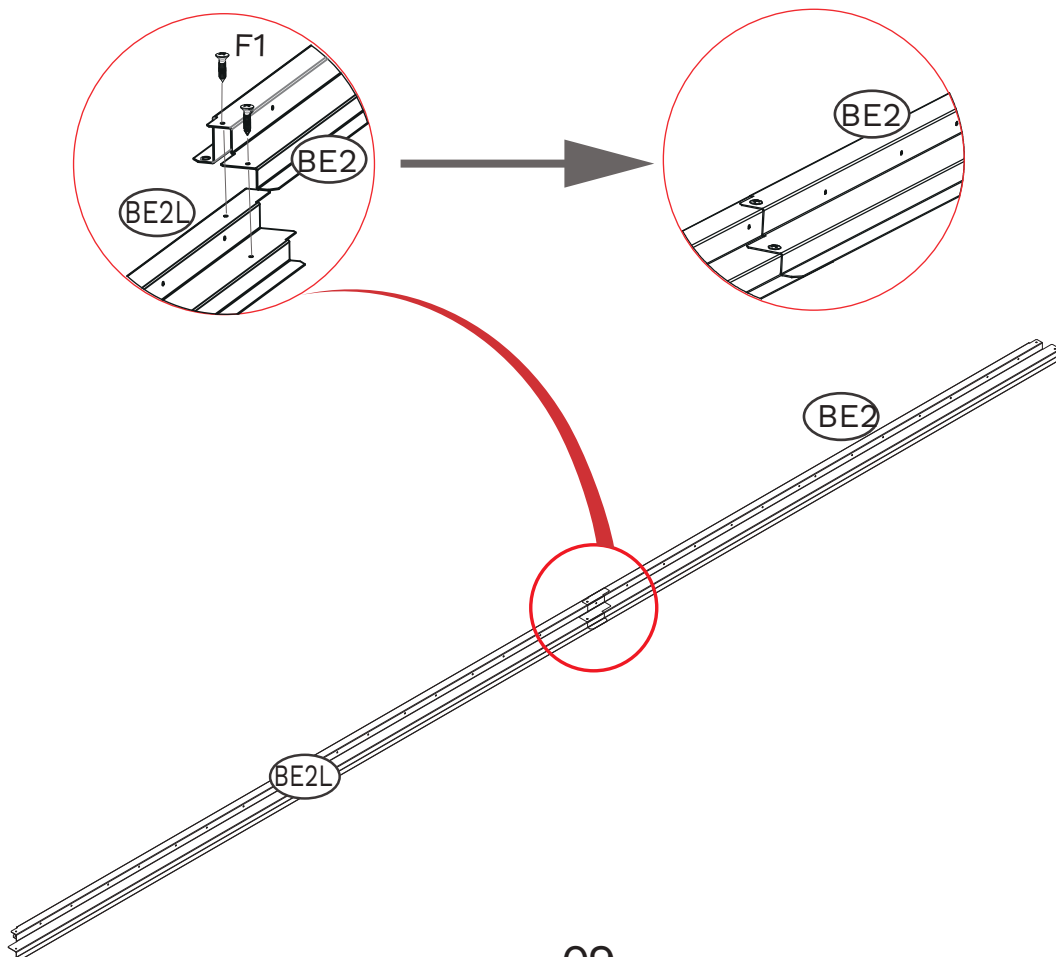
 <p>F1(X535) M4*10</p>	 <p>F2(X54) M4*10</p>
 <p>F3(X32) M5*12</p>	 <p>F4(X5) M6*10</p>
 <p>For GC F5(X4) M4*16</p>	



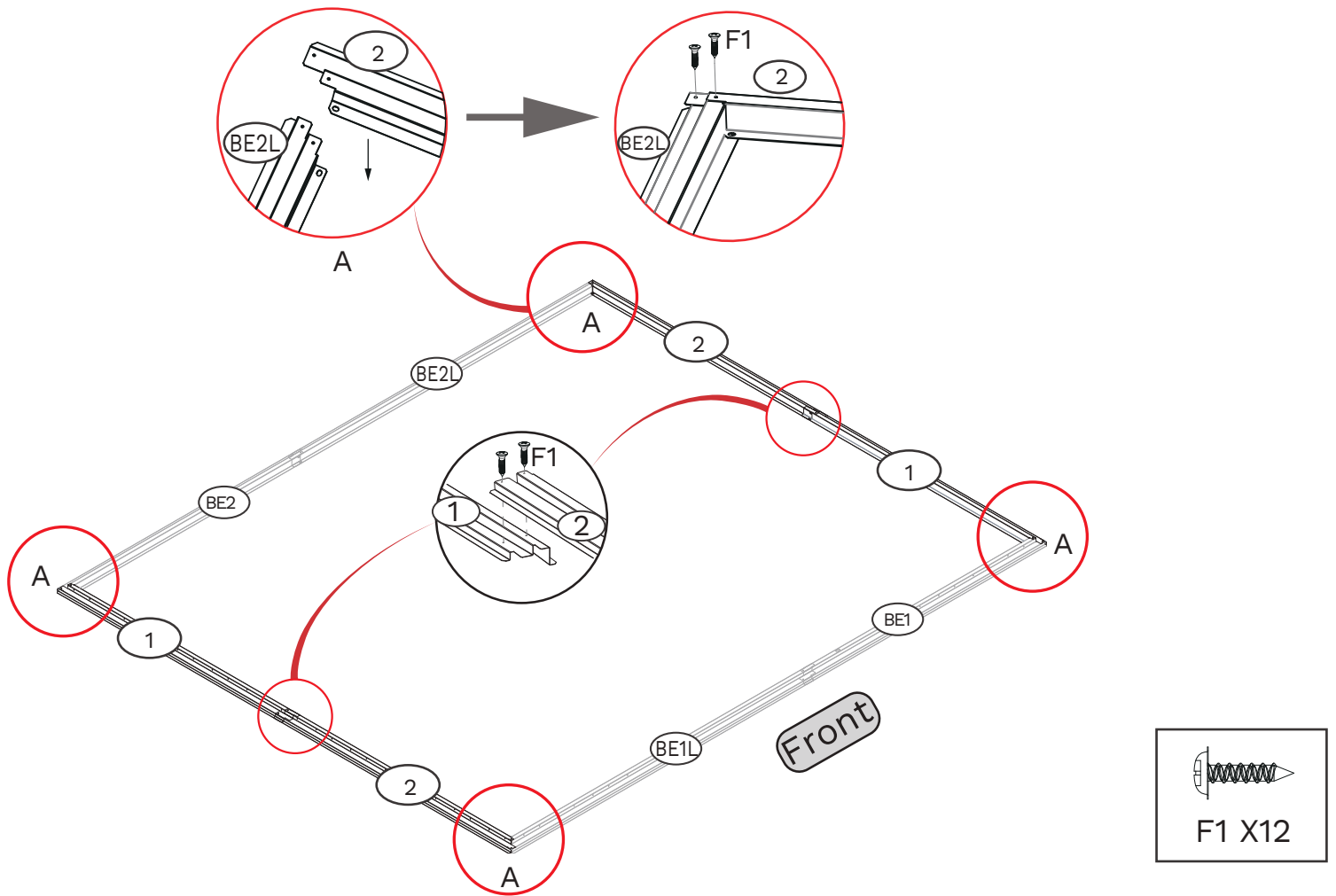
STEP 1



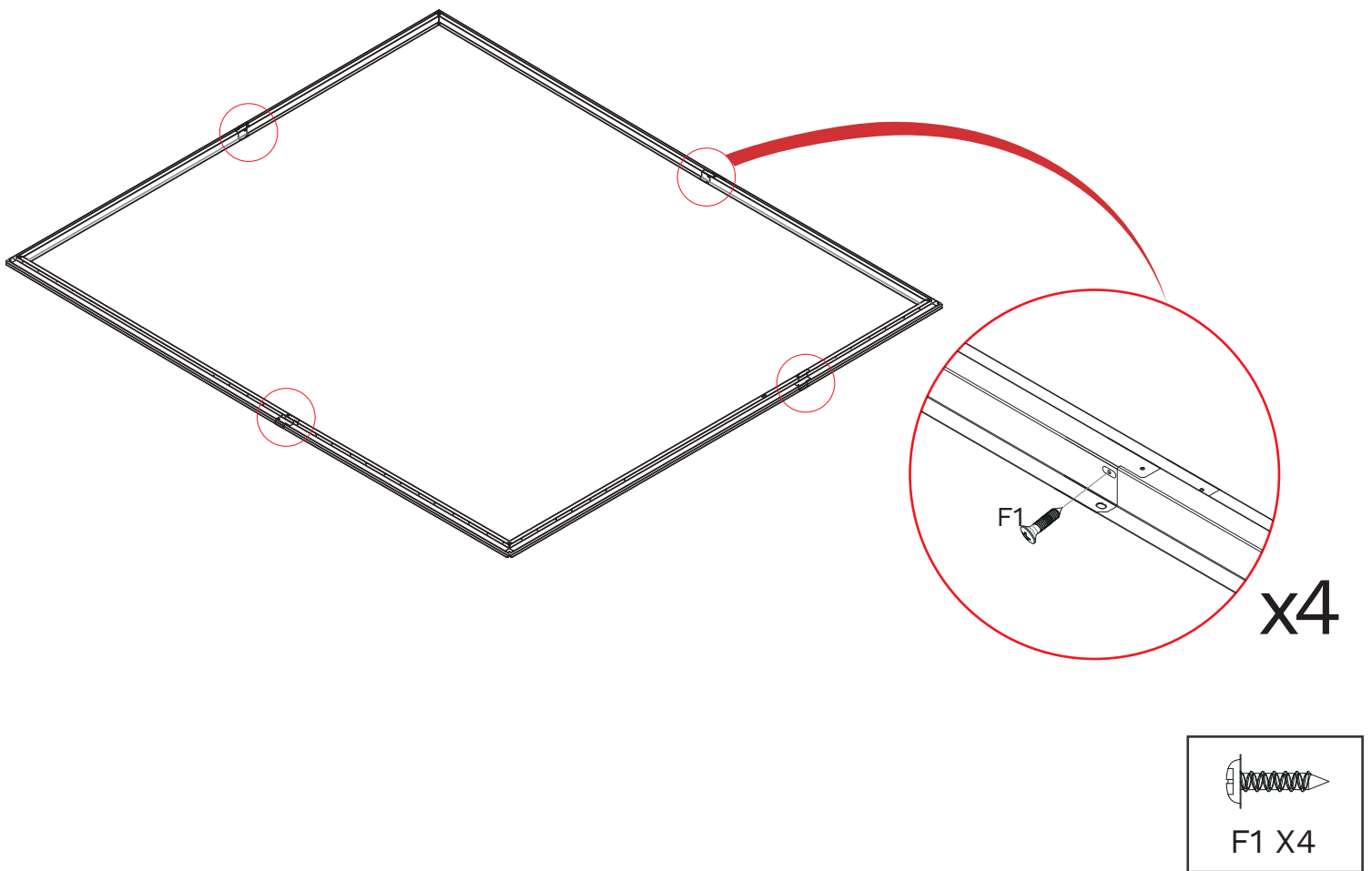
STEP 2



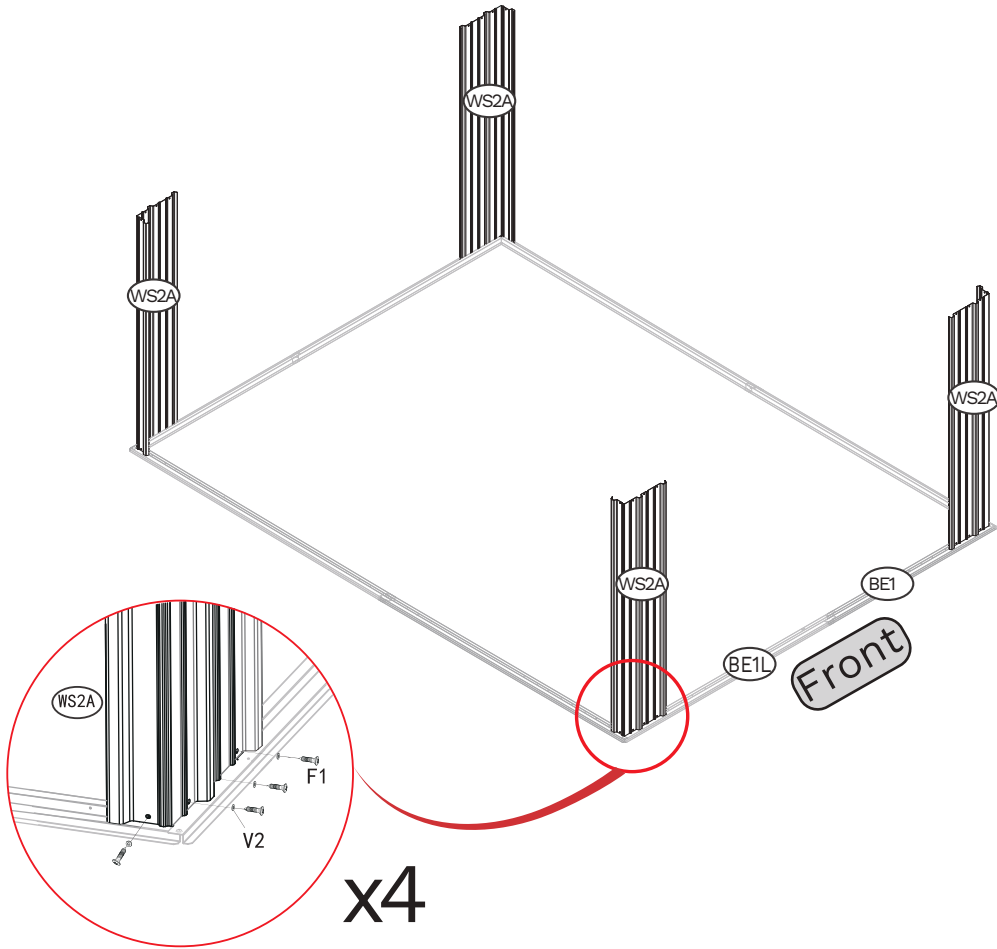
STEP 3



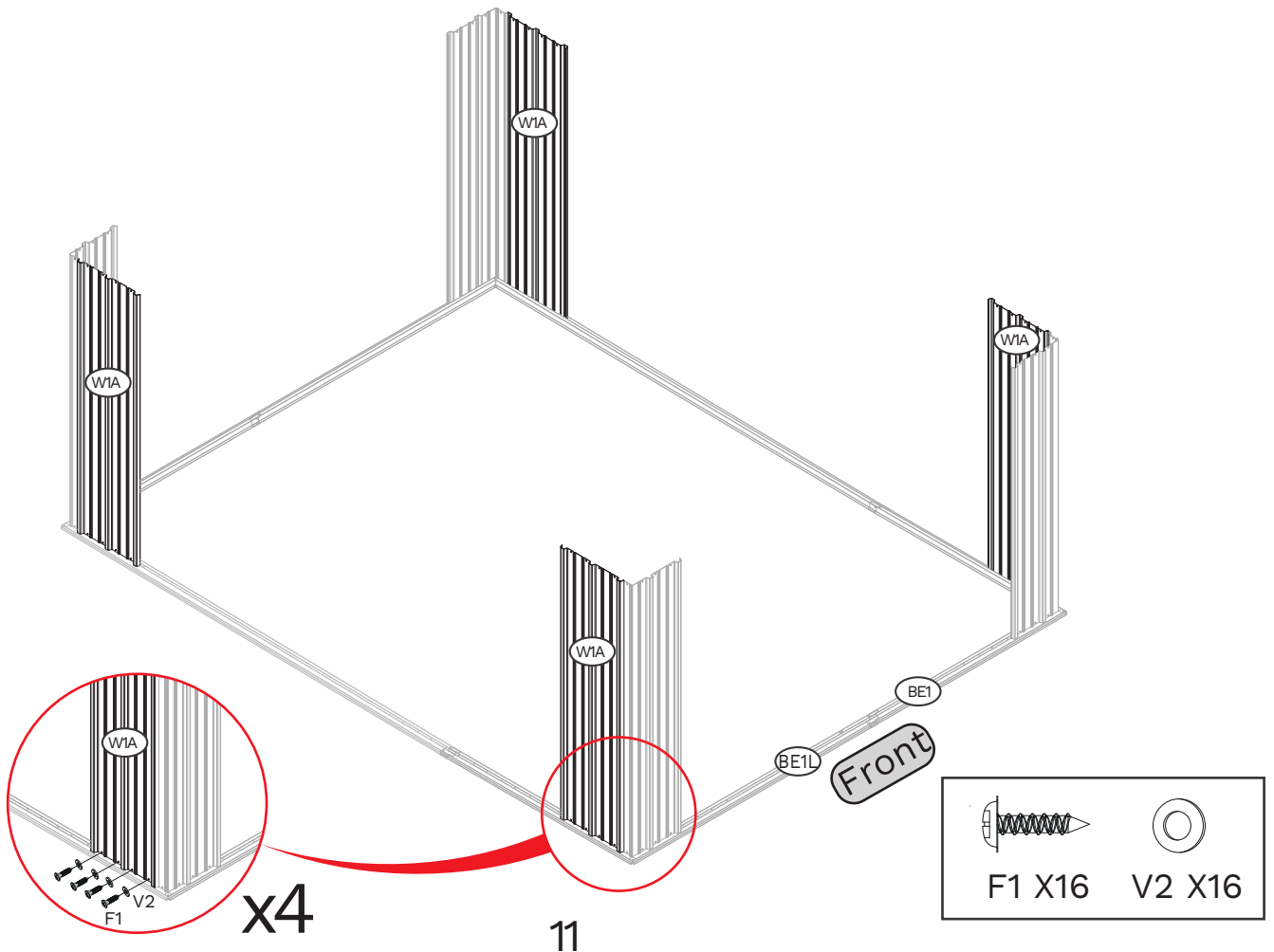
STEP 4



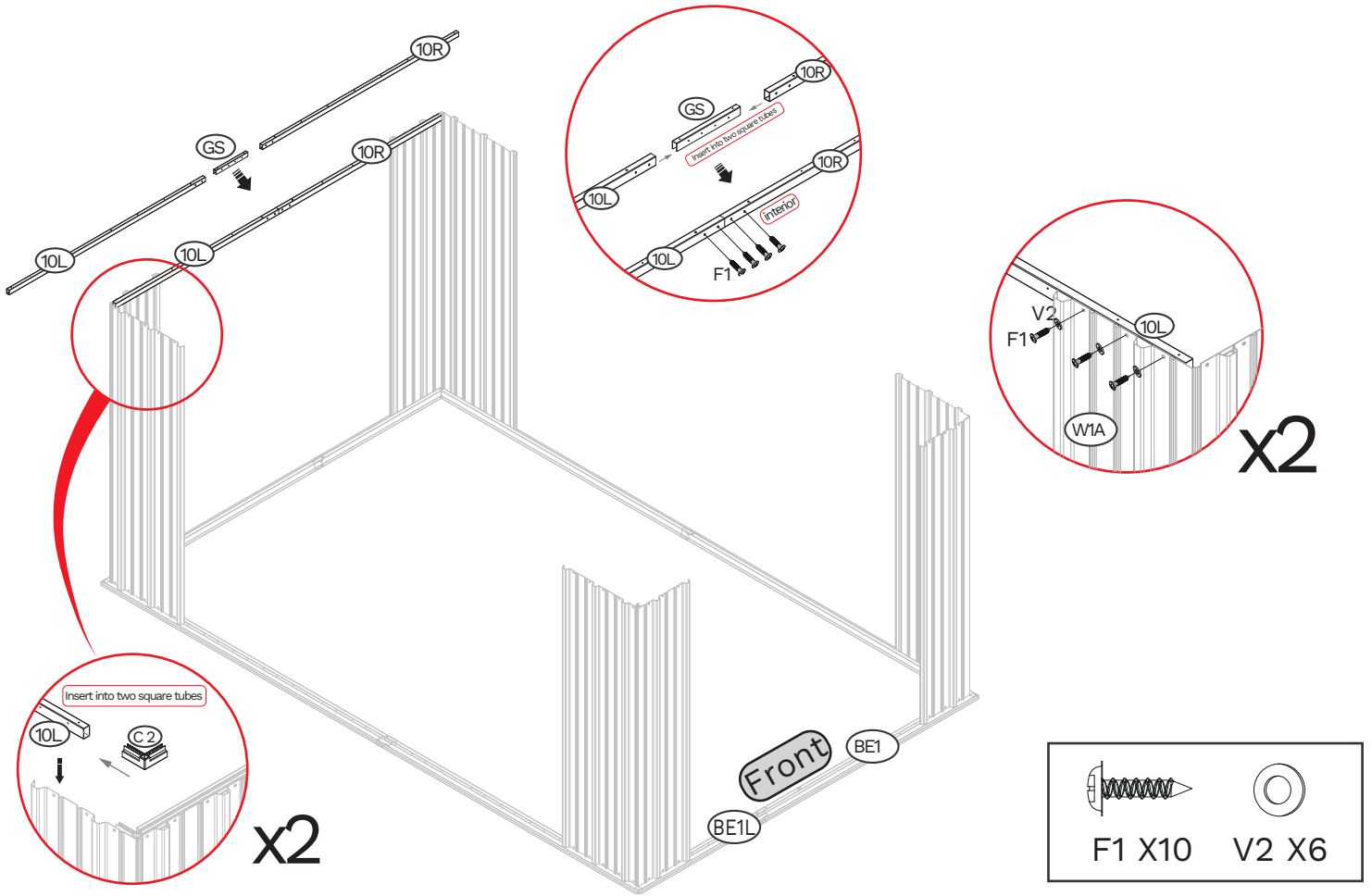
STEP 5



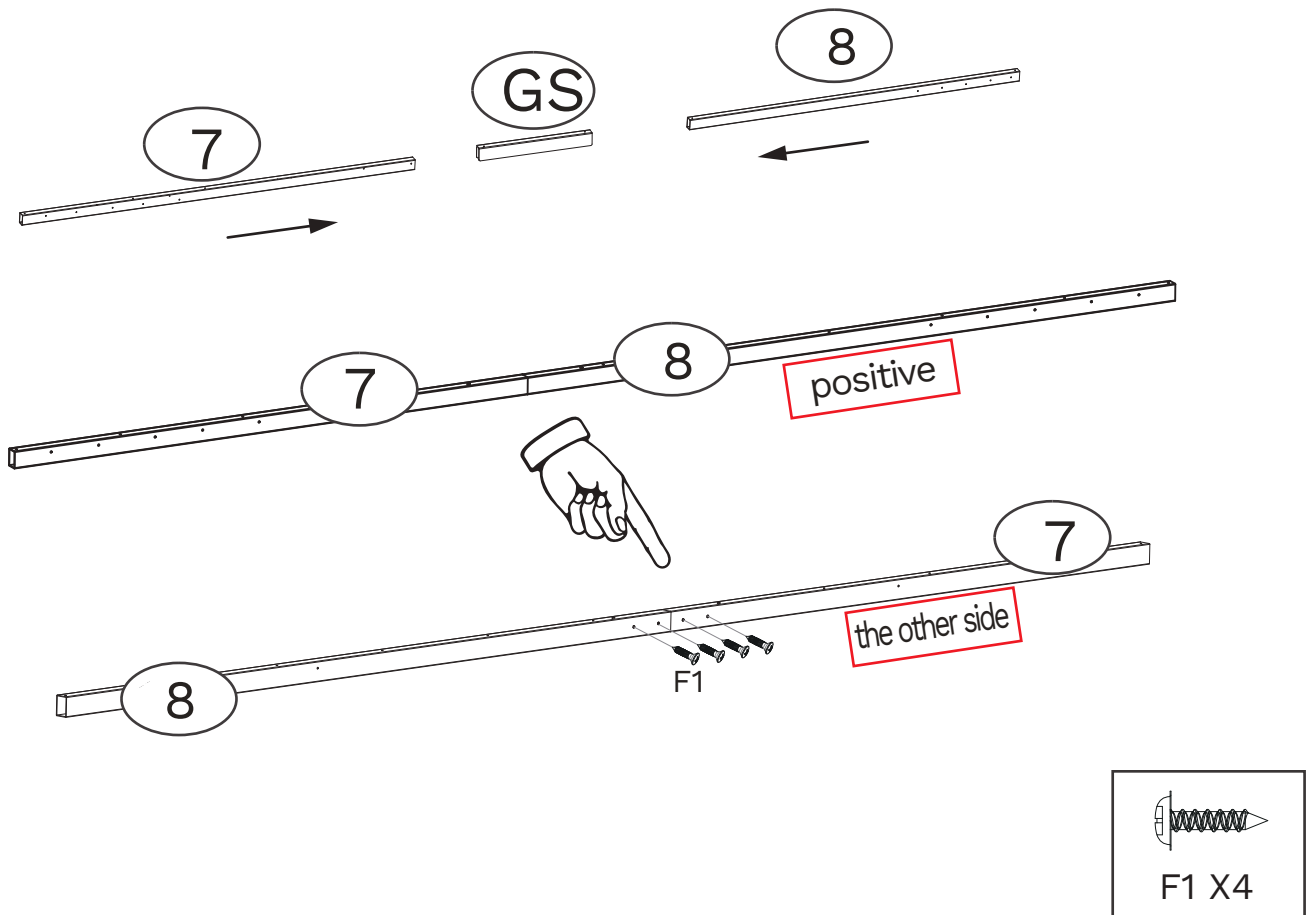
STEP 6



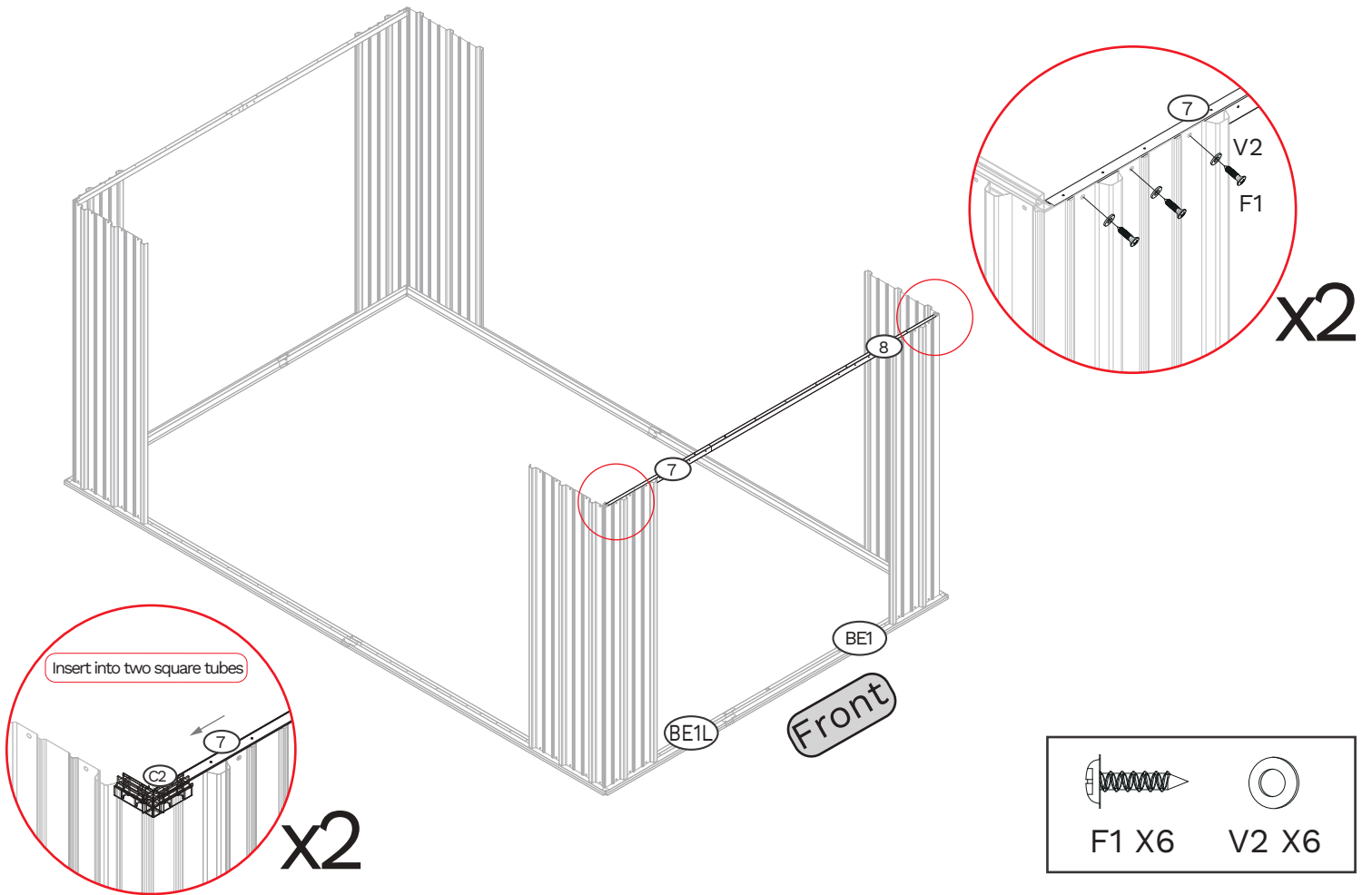
STEP 7



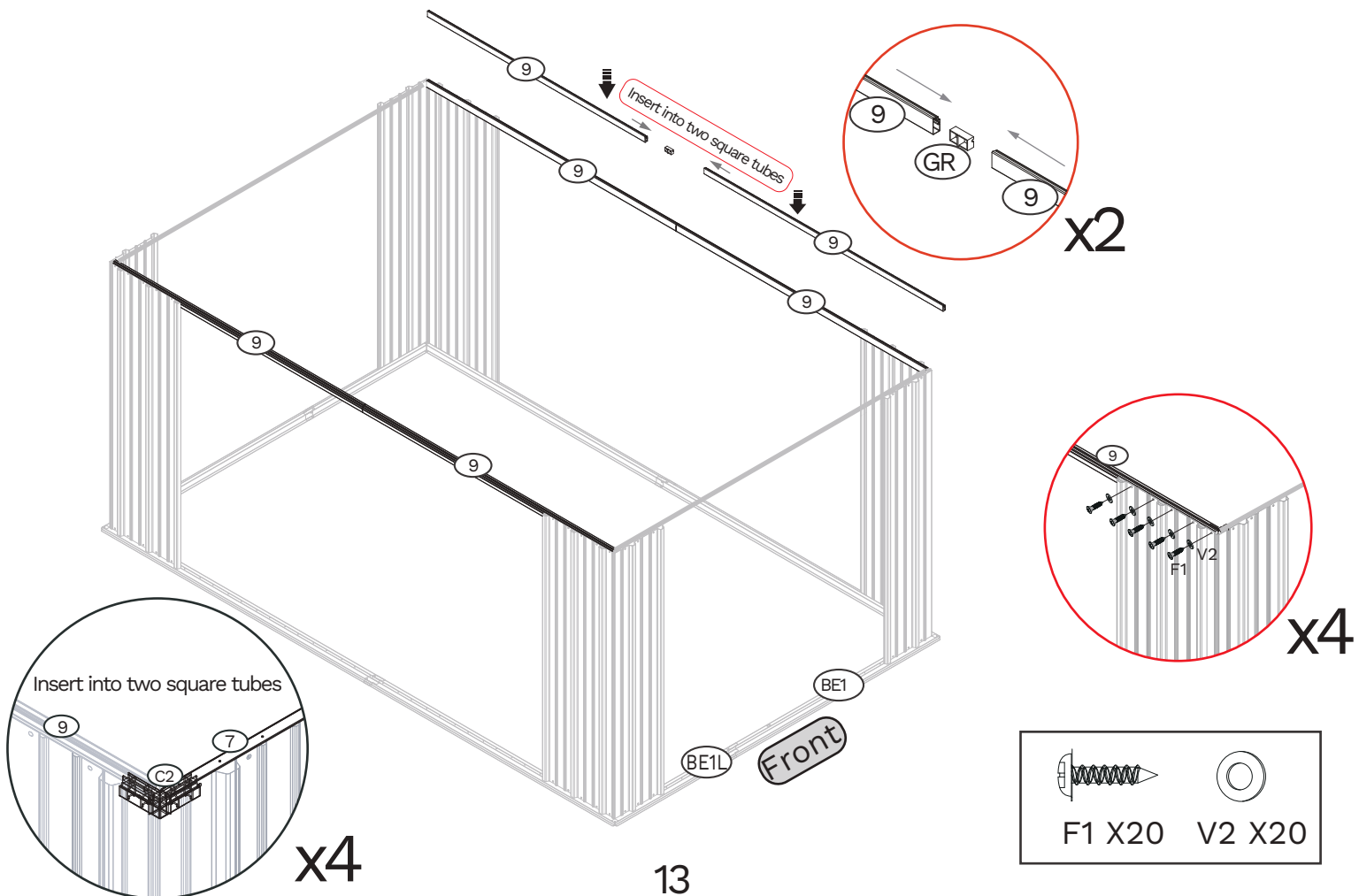
STEP 8



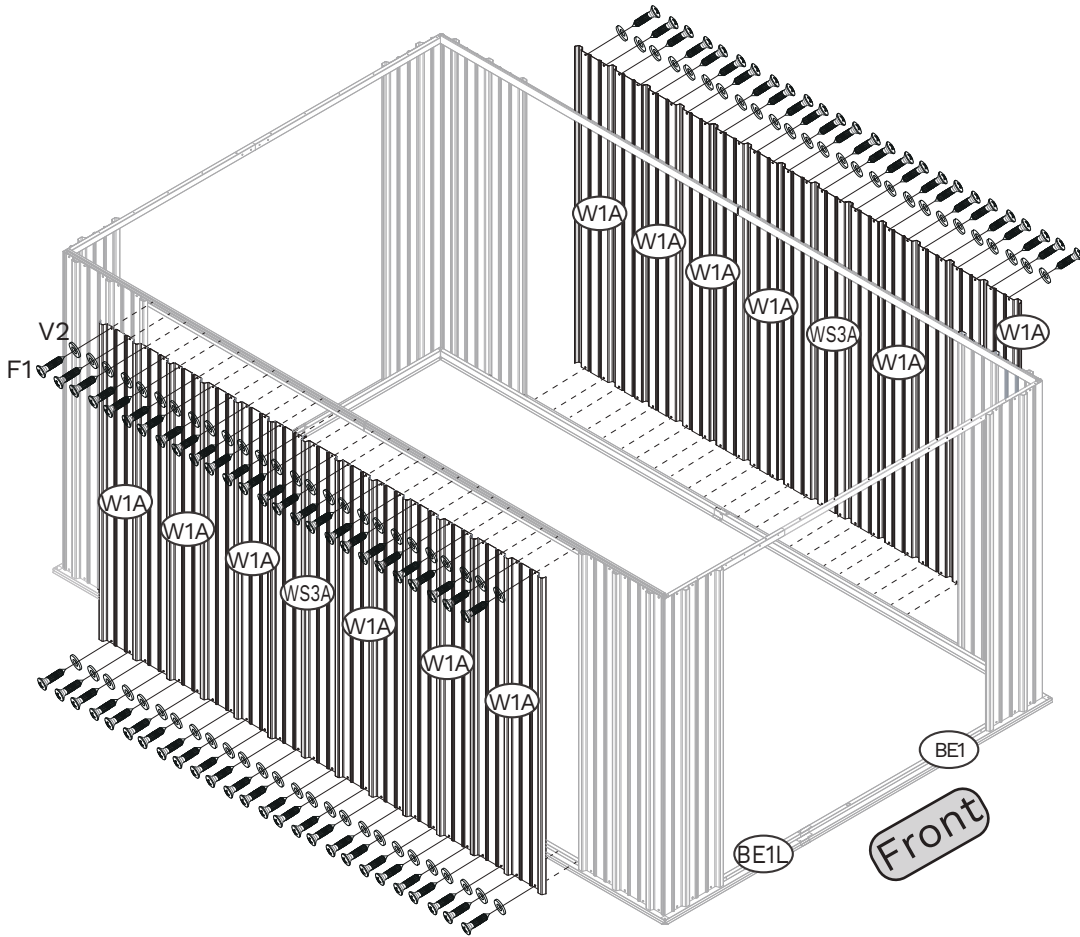
STEP 9



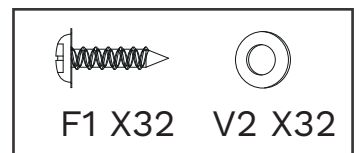
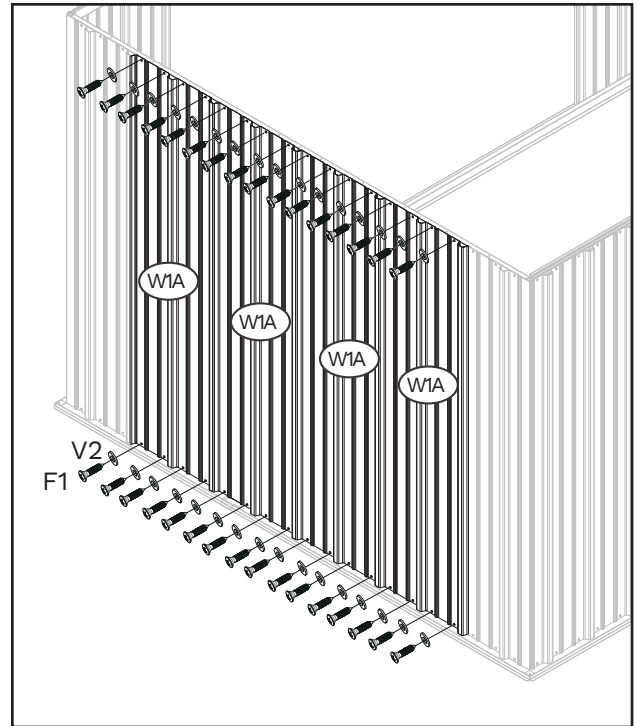
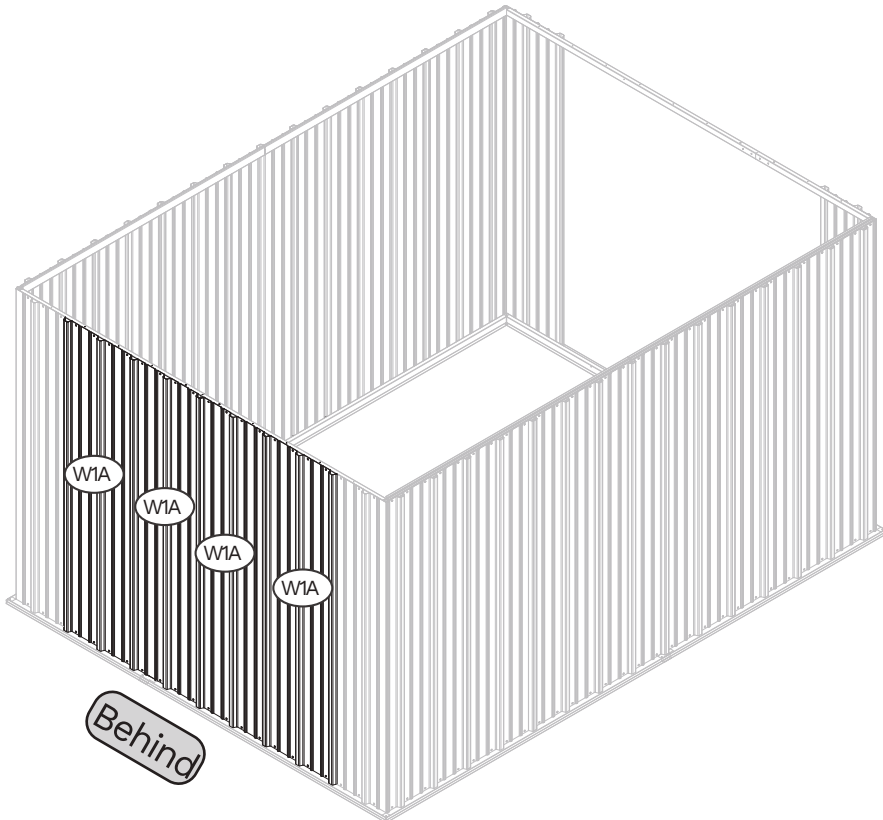
STEP 10



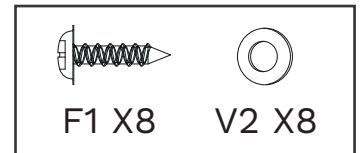
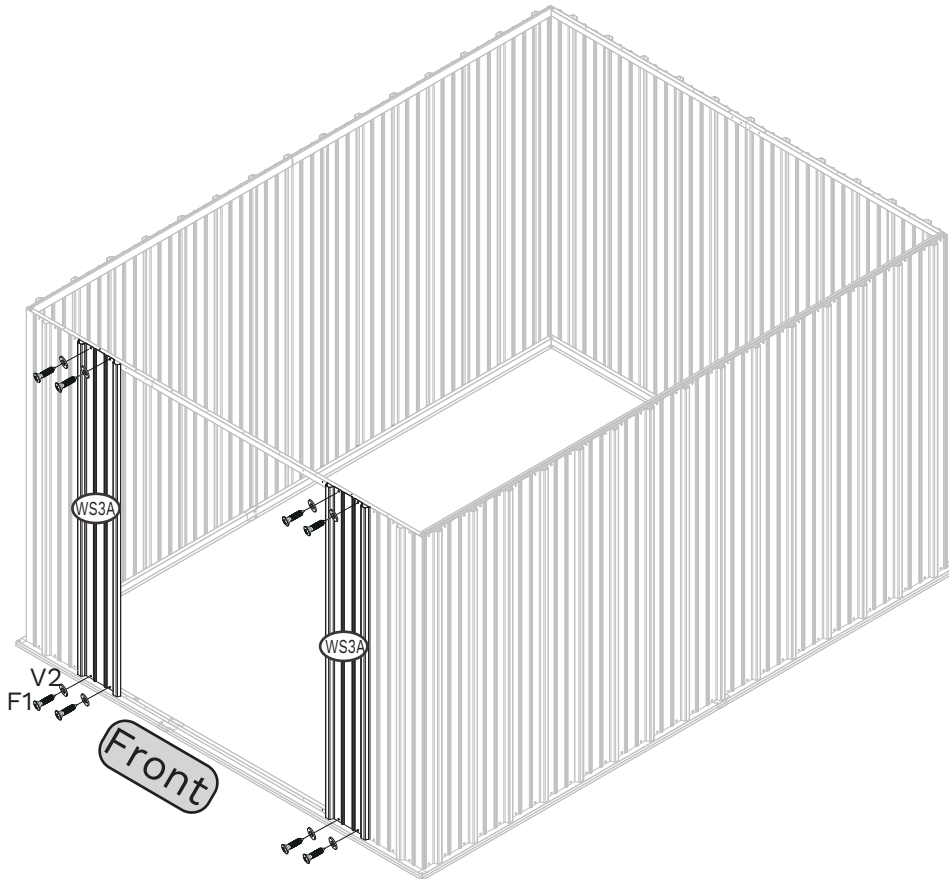
STEP 11



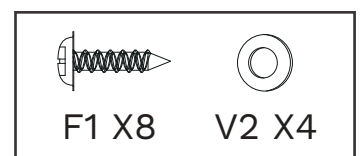
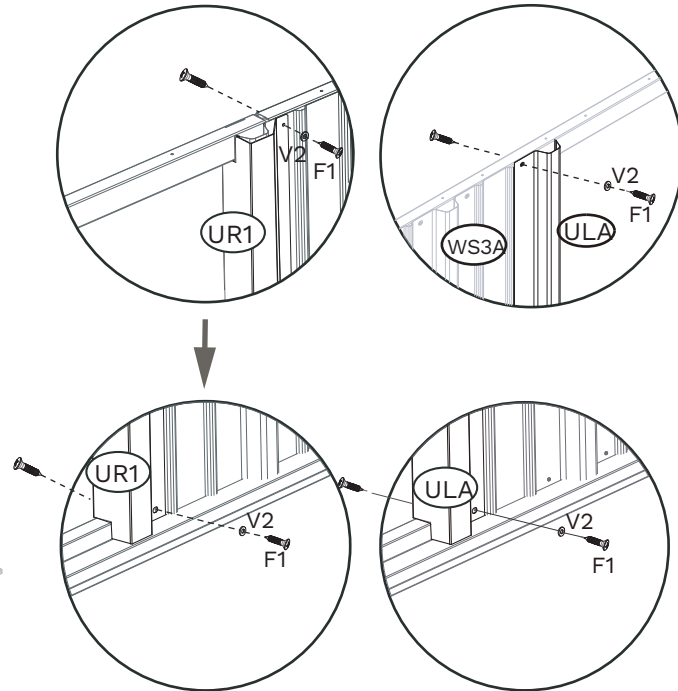
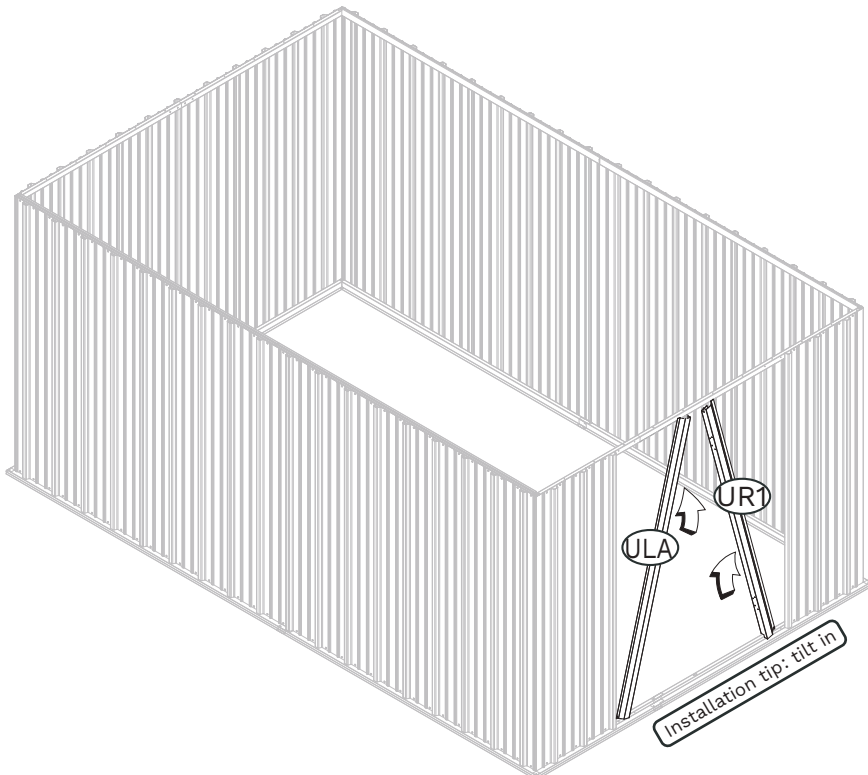
STEP 12



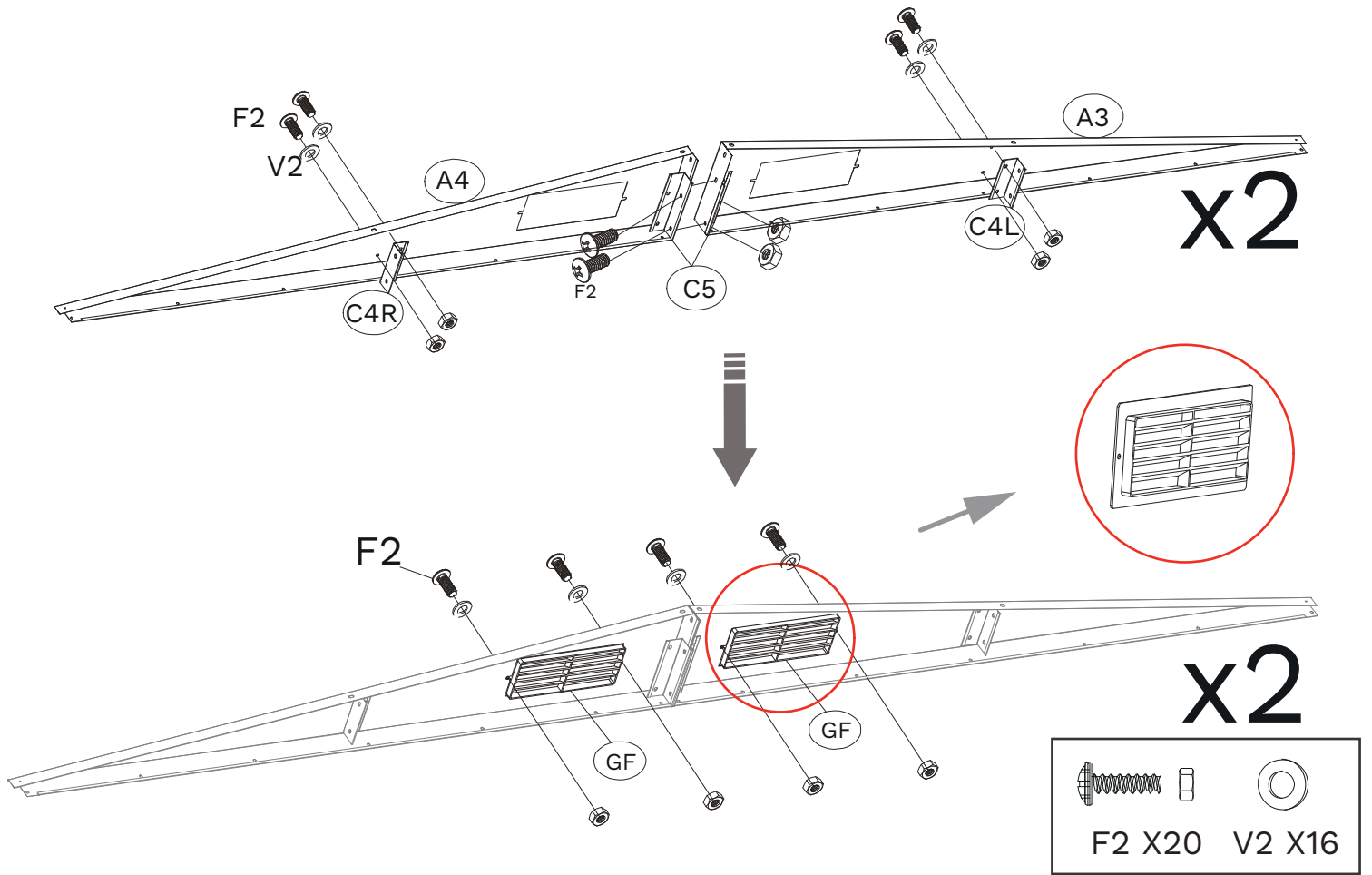
STEP 13



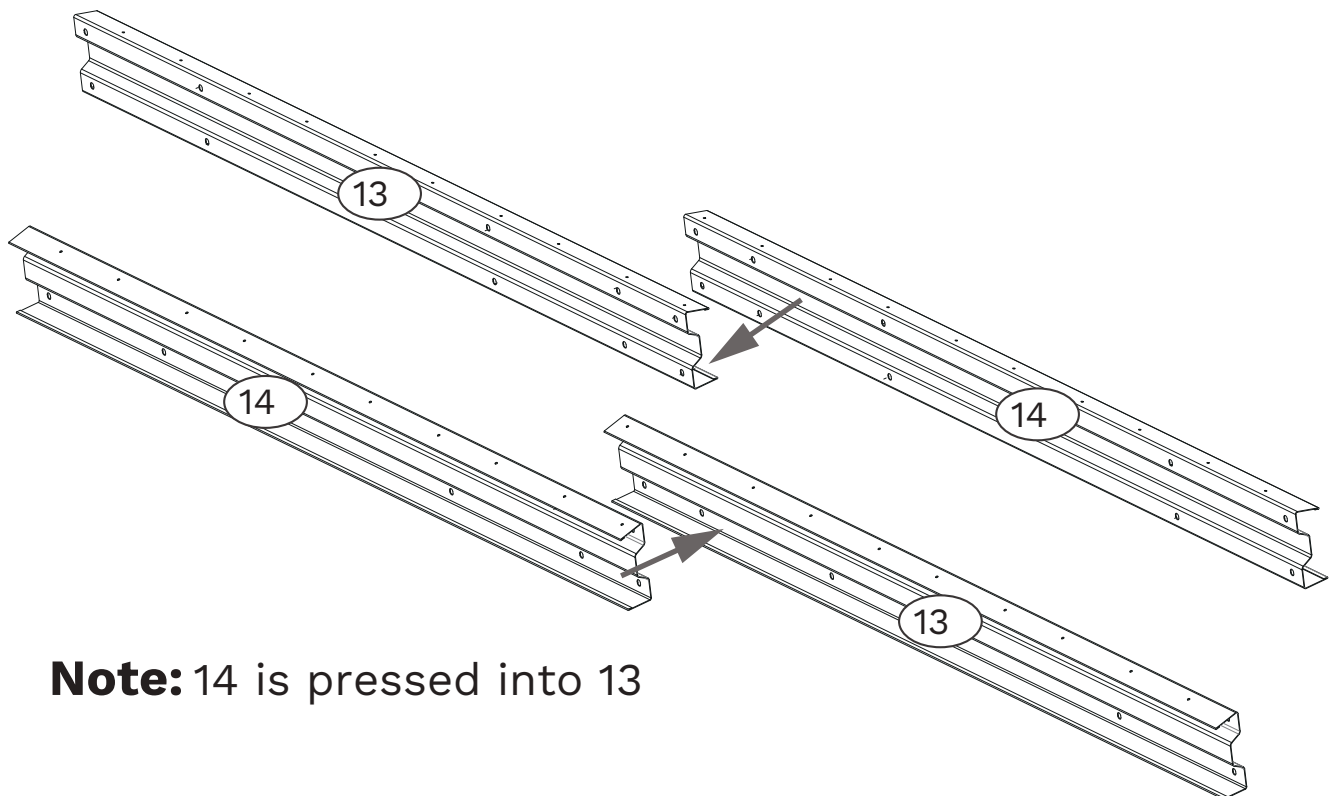
STEP 14



STEP 15

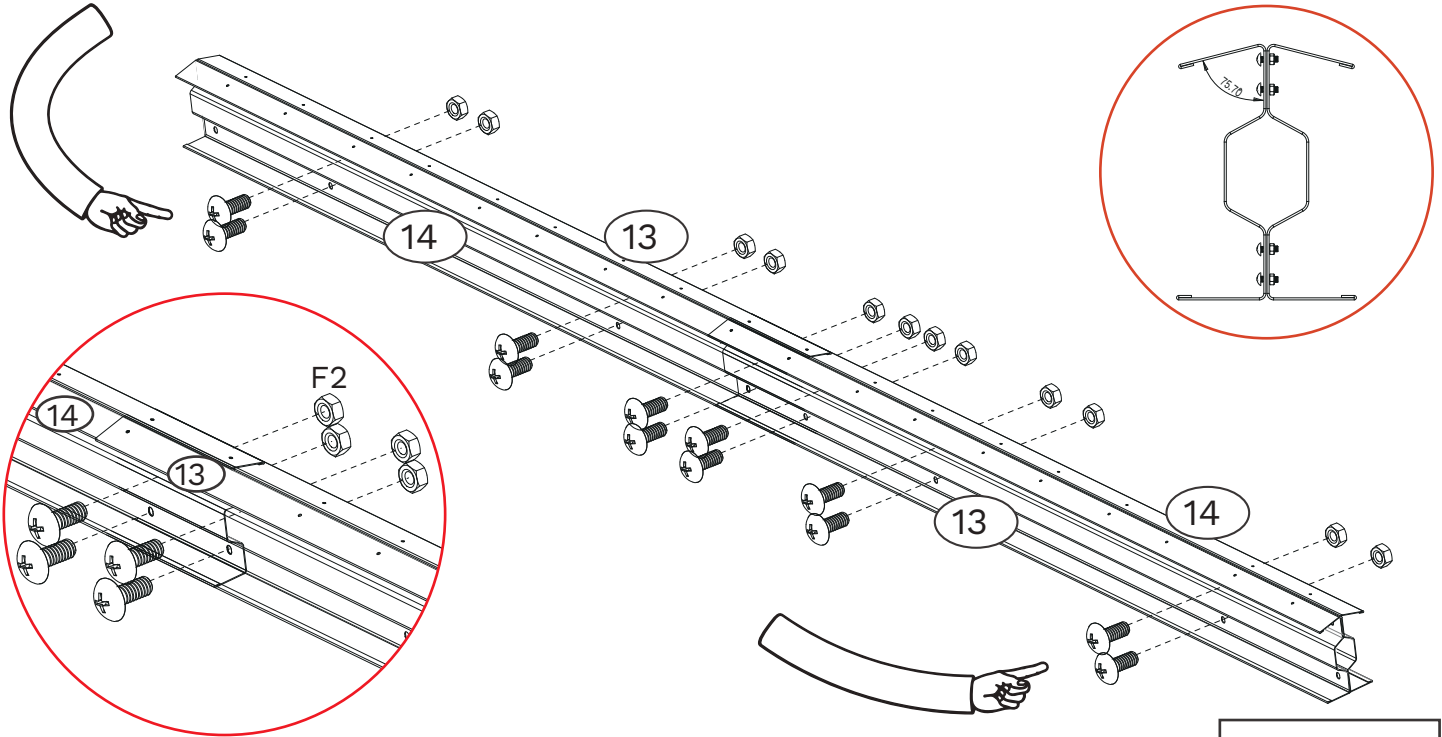


STEP 16

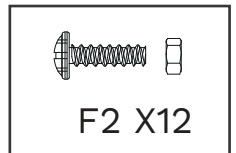


STEP 17

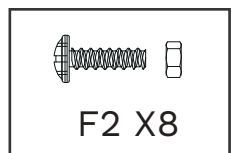
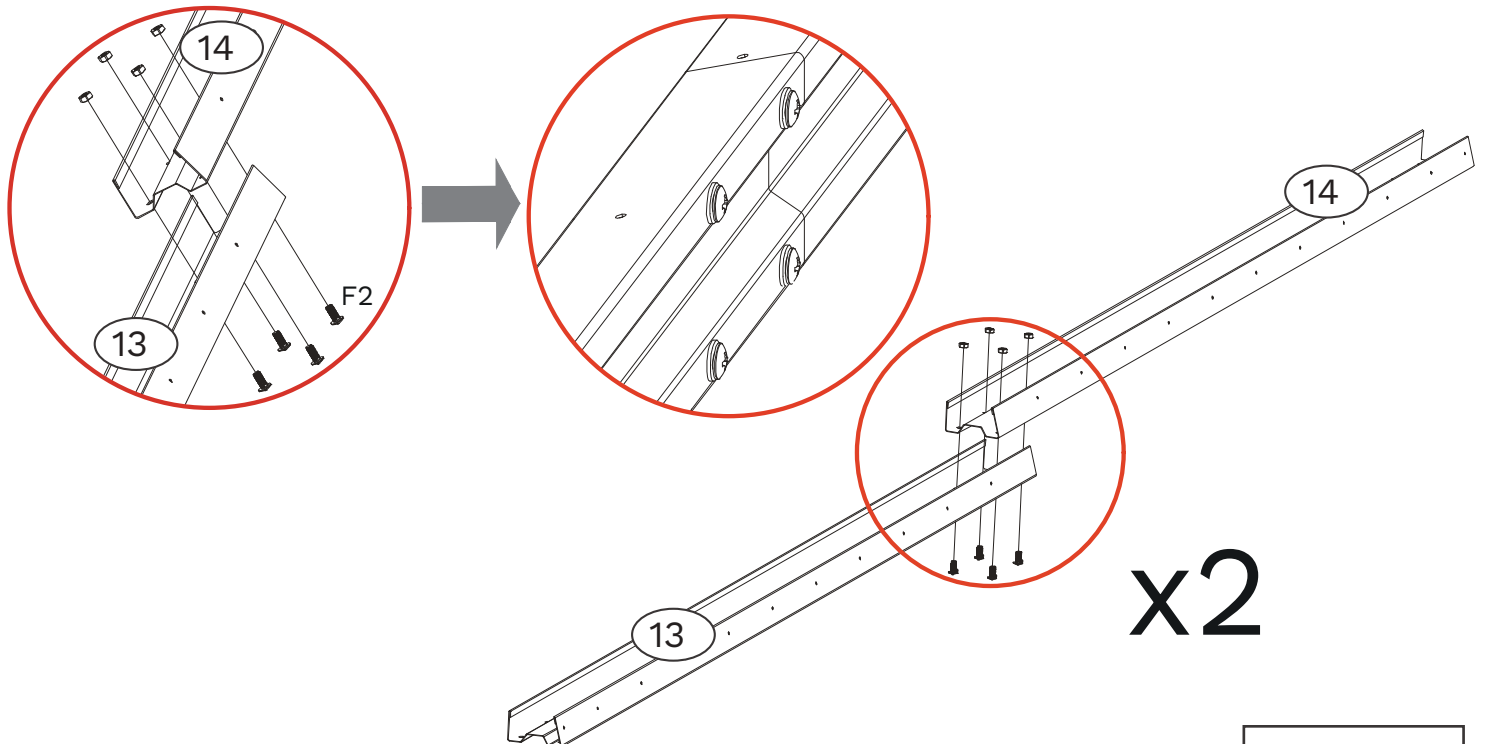
Don't tighten these two screws too tightly



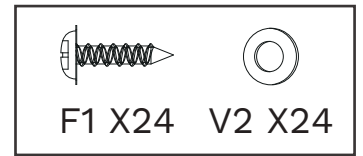
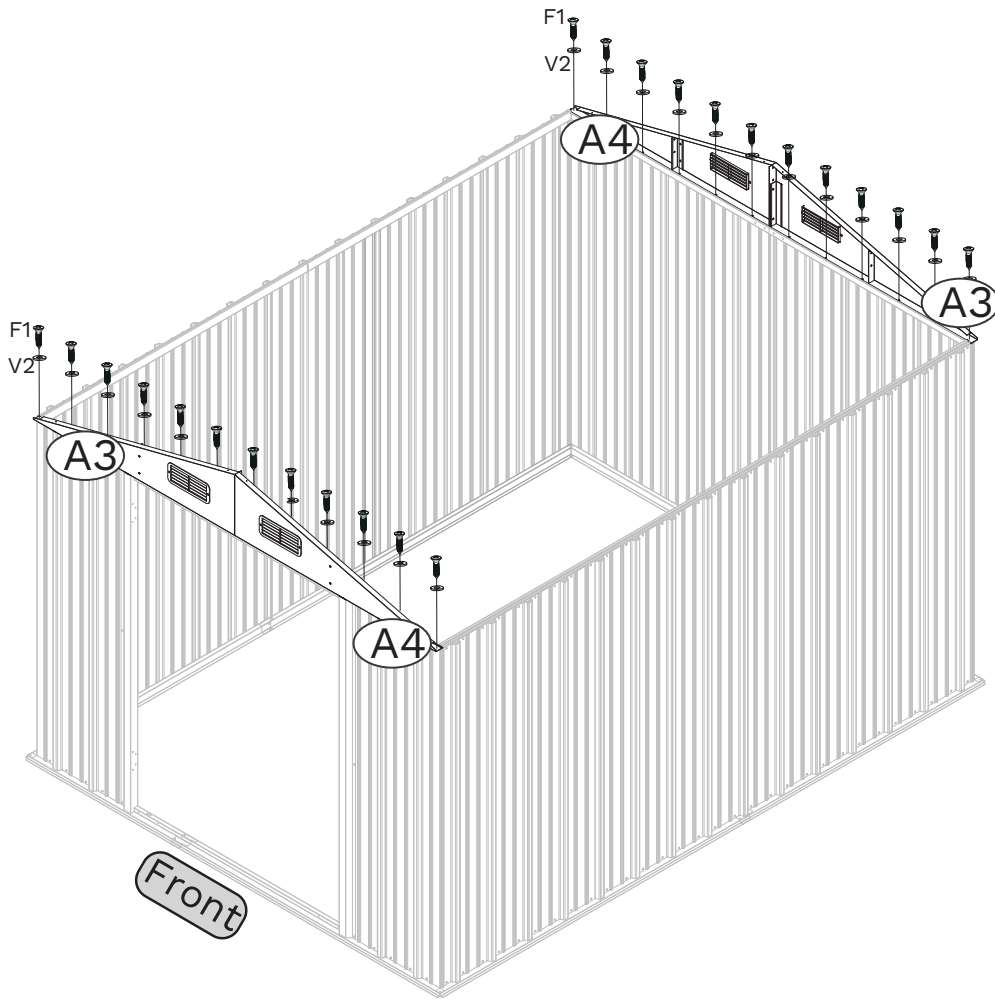
Don't tighten these two screws too tightly



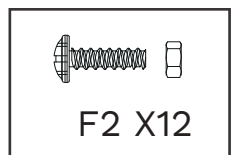
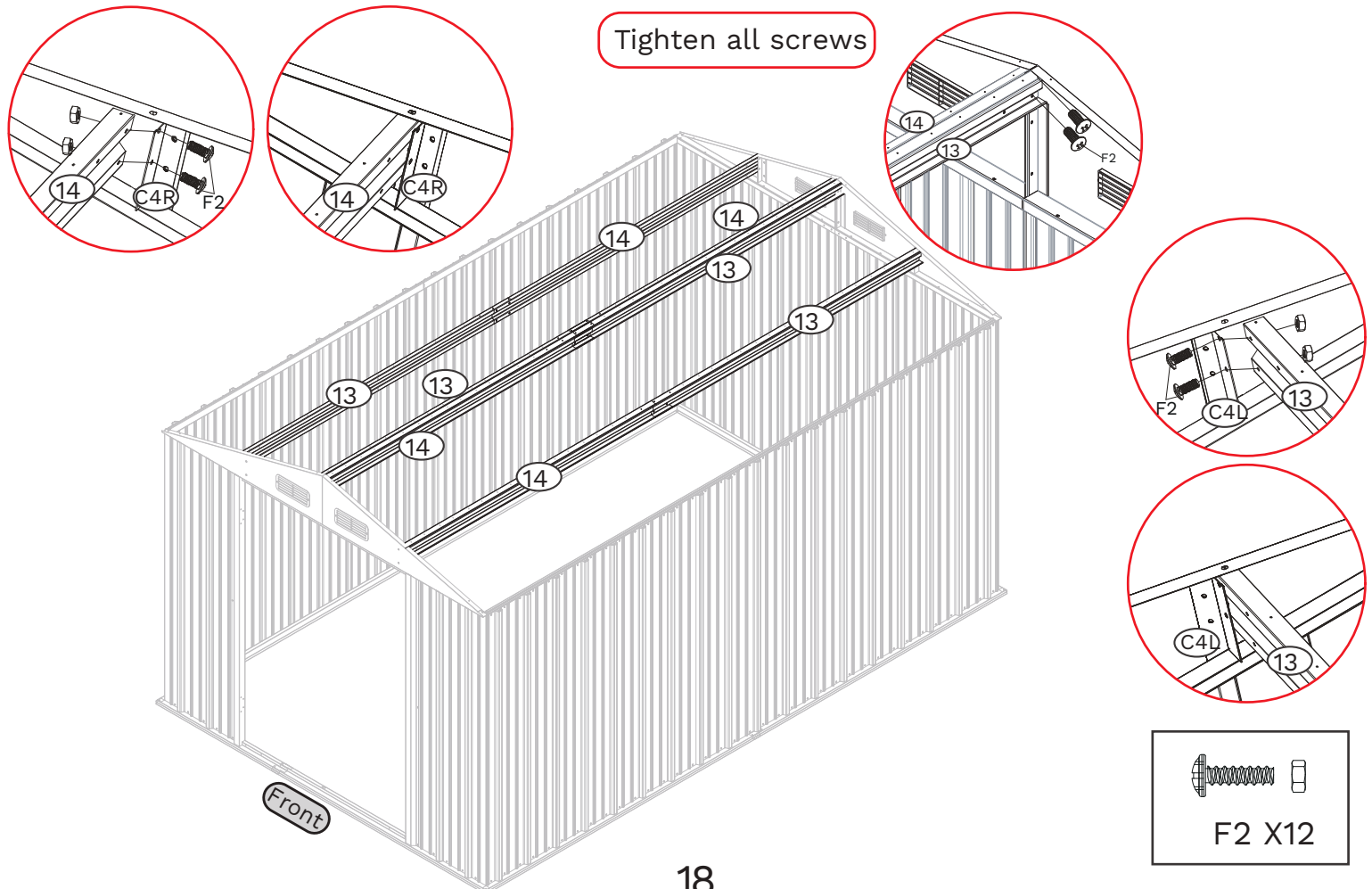
STEP 18



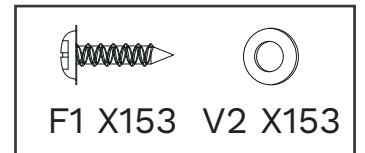
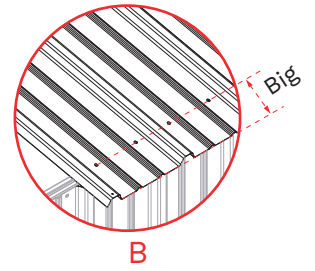
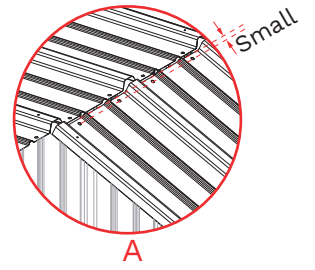
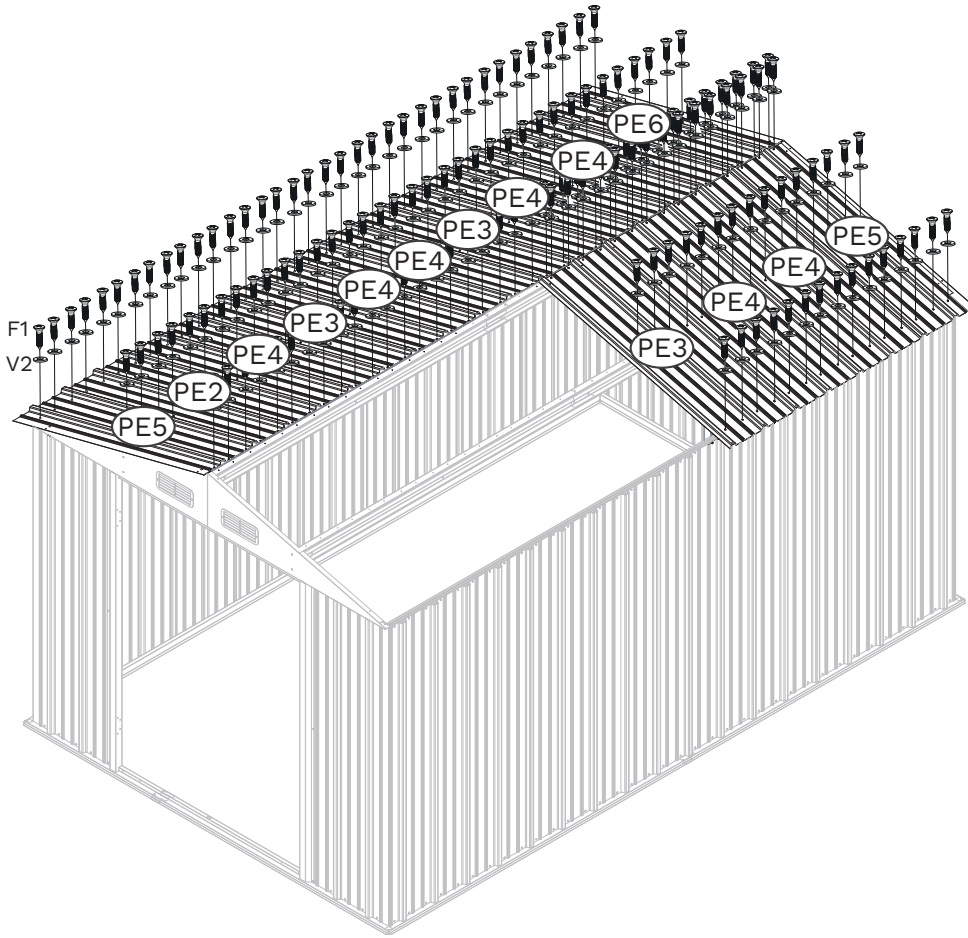
STEP 19



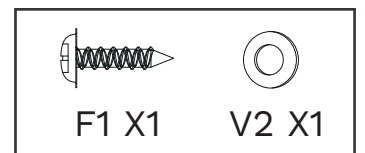
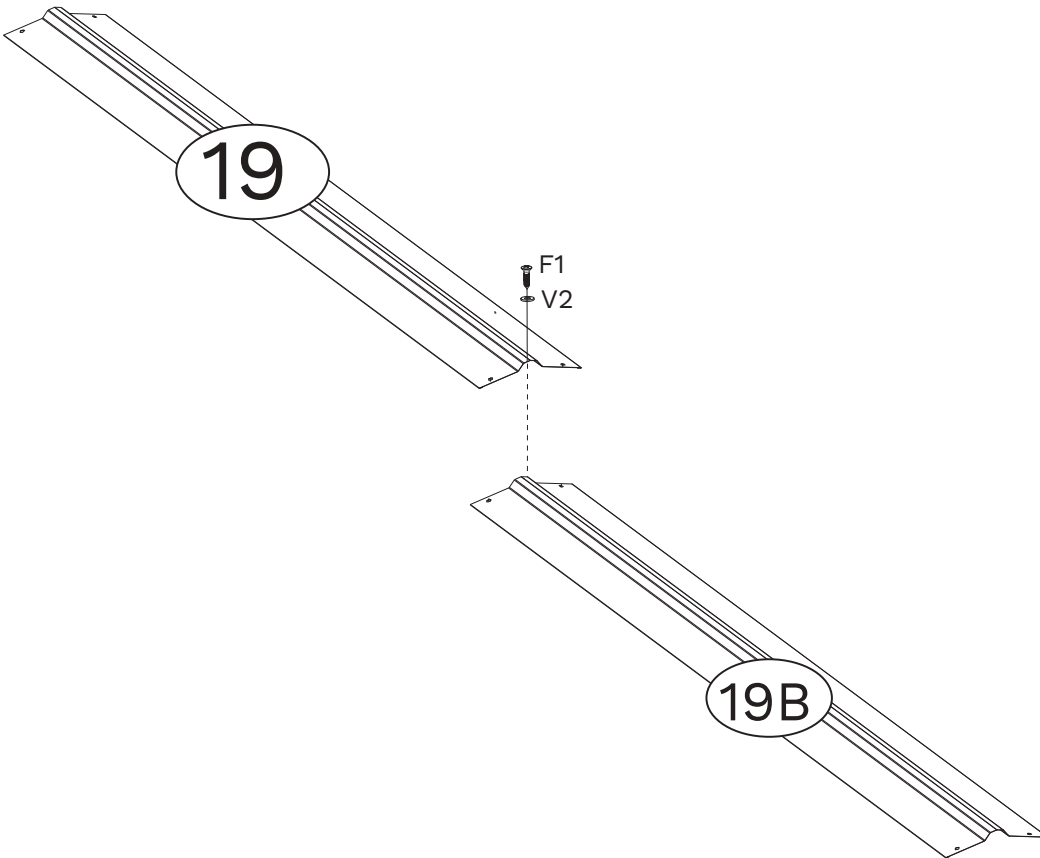
STEP 20



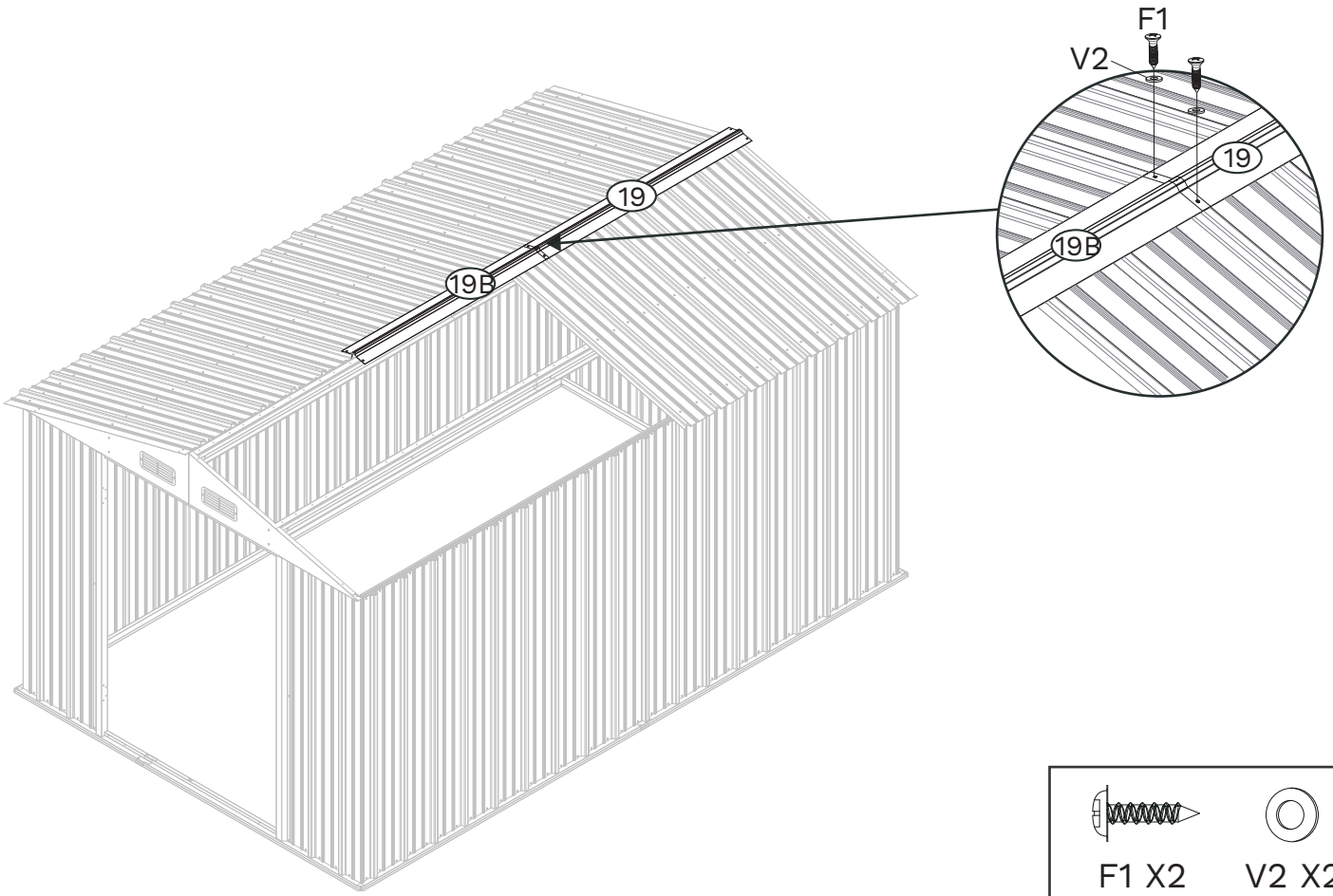
STEP 21



STEP 22

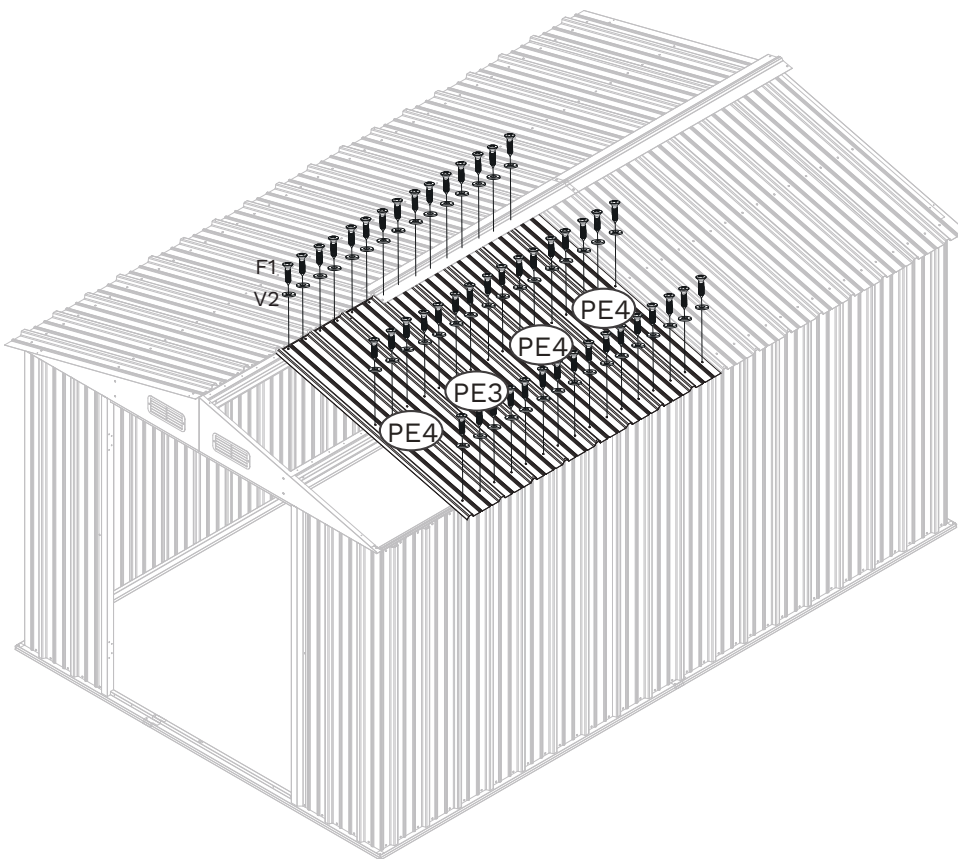


STEP 23

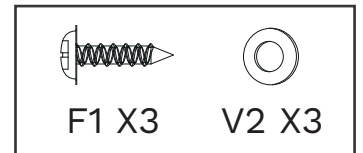
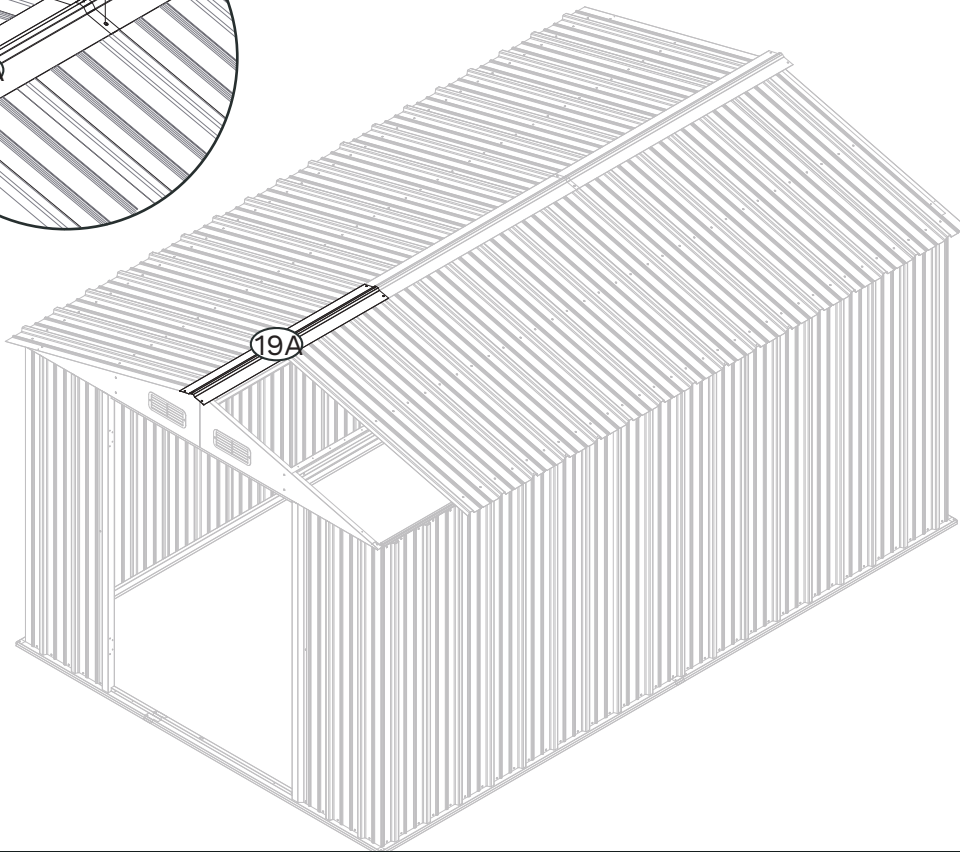
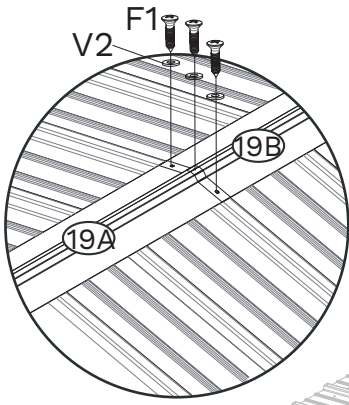


STEP 24

Installation tips You need to gently lift the 19B and then screw it.

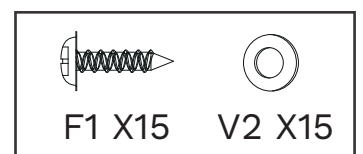
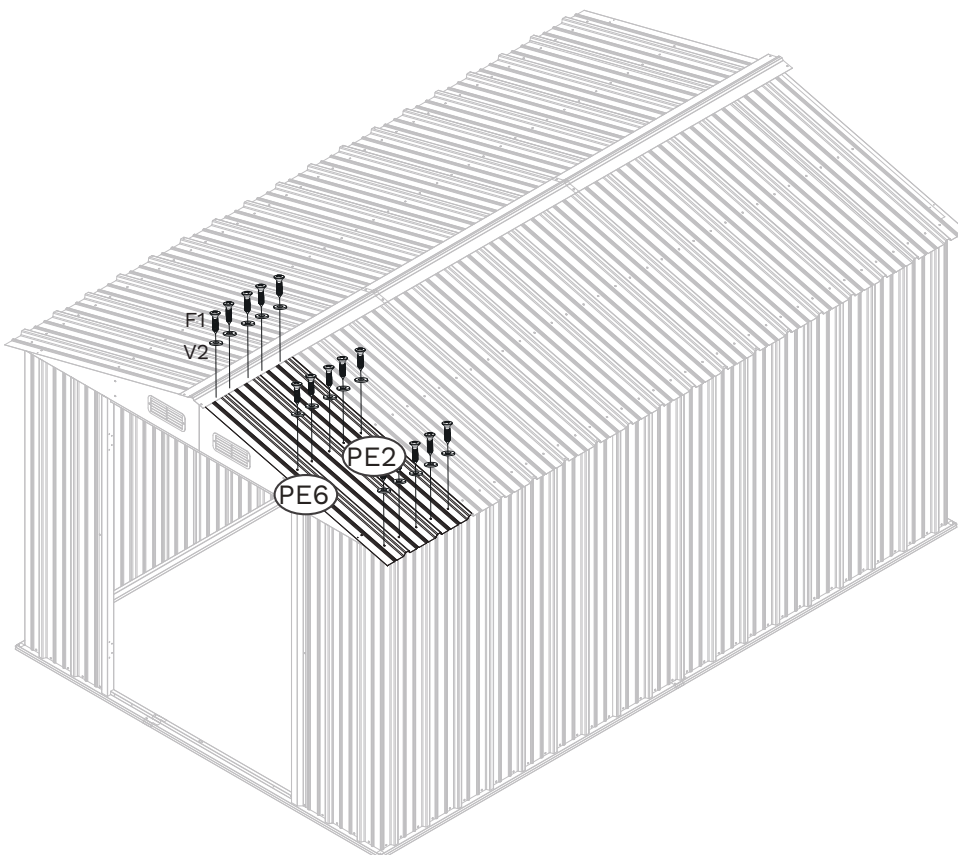


STEP 25



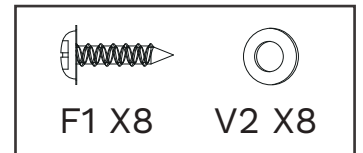
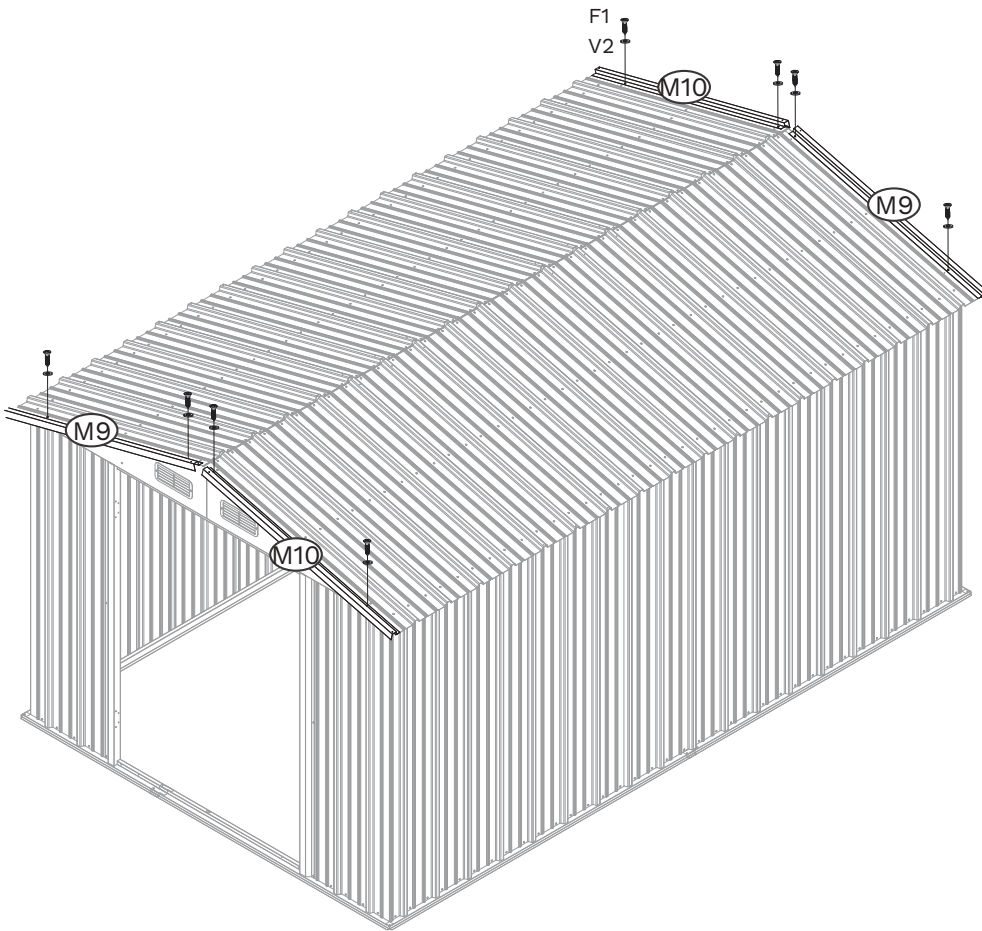
STEP 26

Installation tips You need to gently lift the 19B and then screw it.

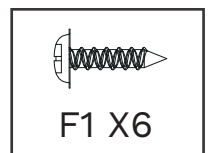
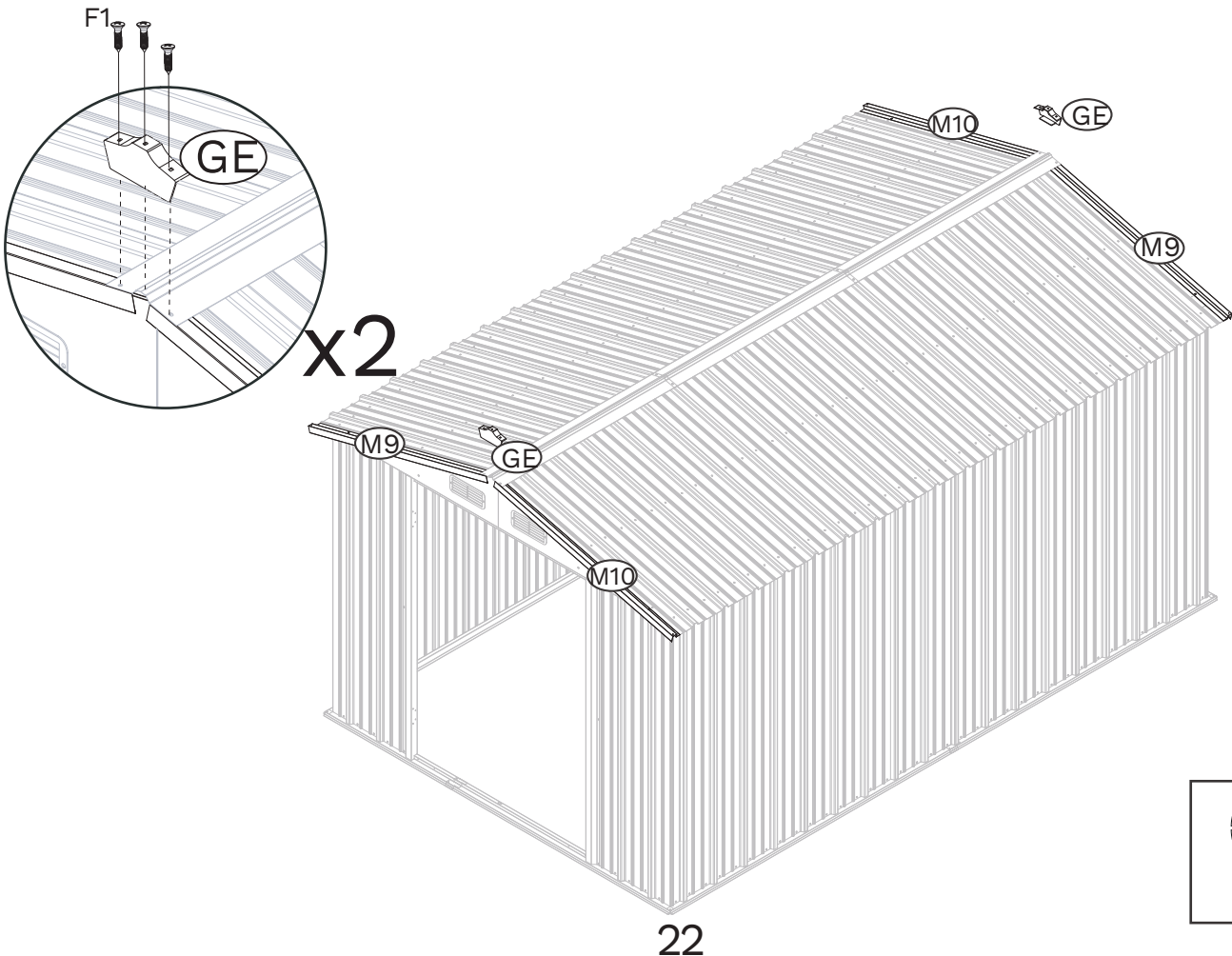


STEP 27

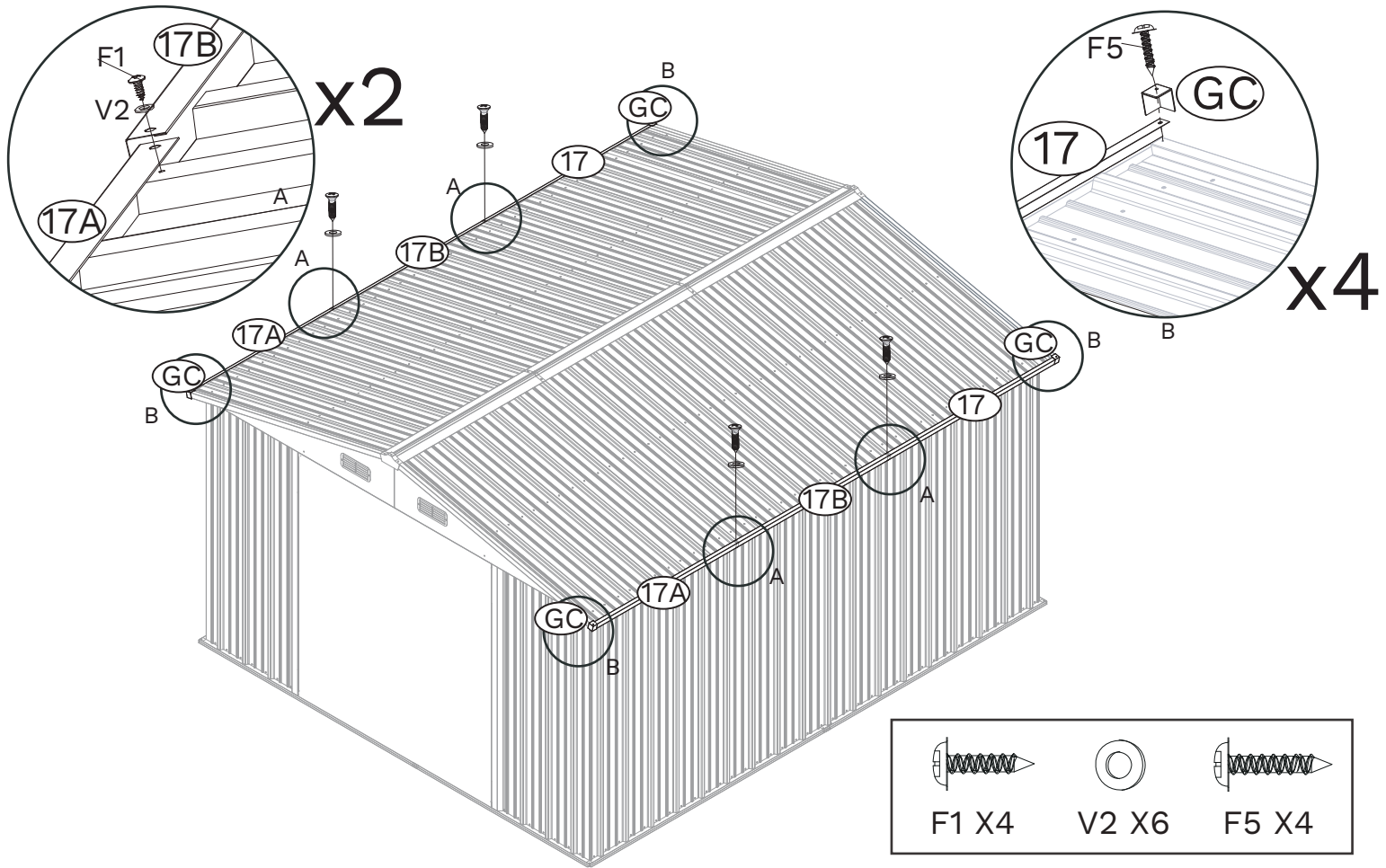
In this step, hide 19/19A/19B and don't show it for the time being.



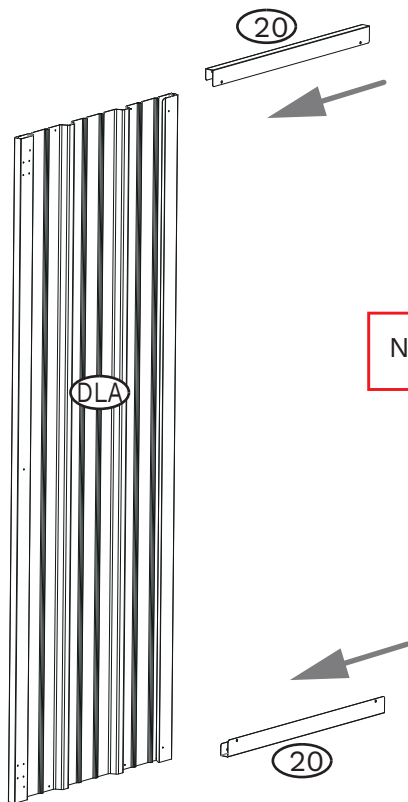
STEP 28



STEP 29

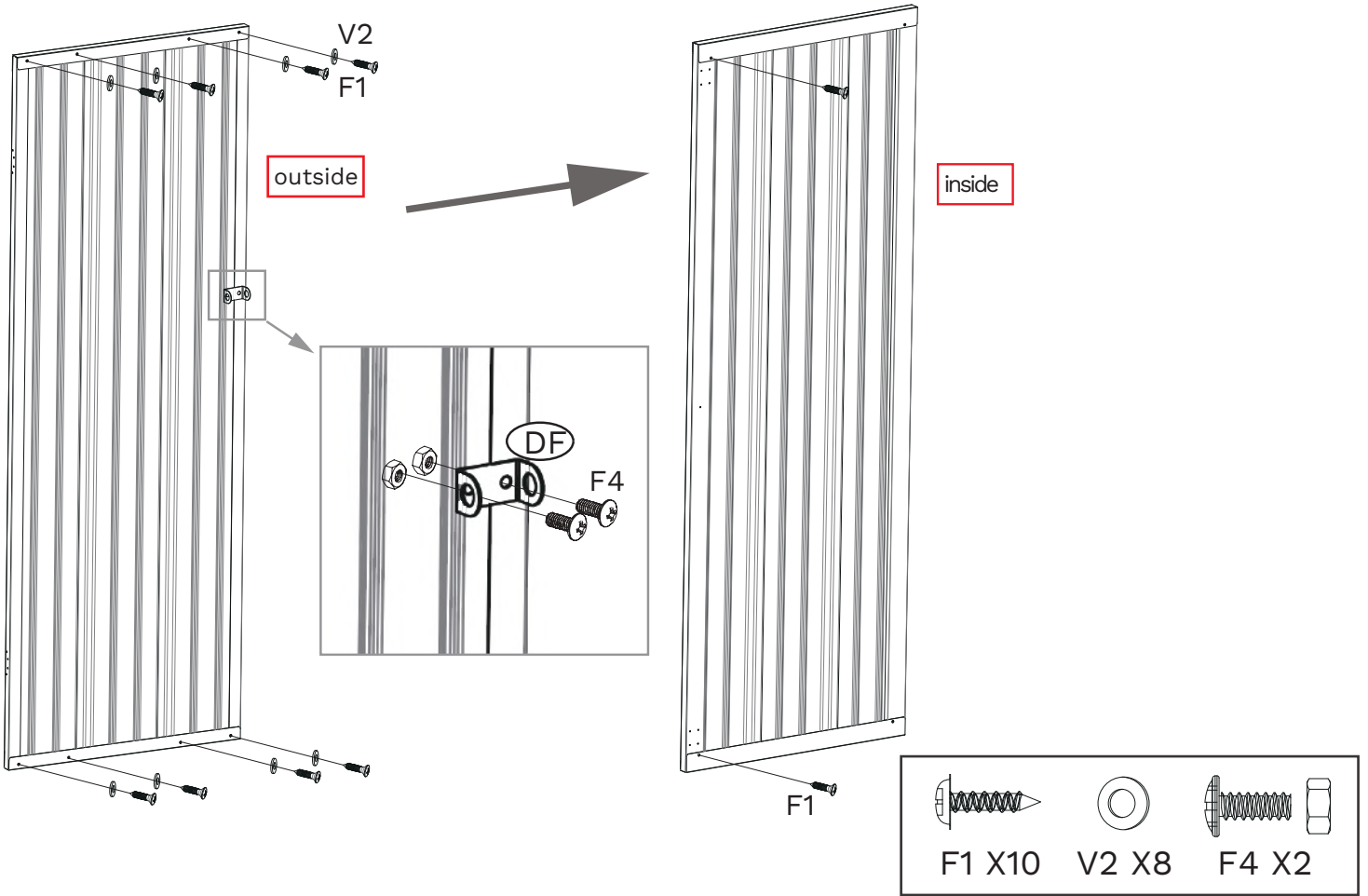


STEP 30

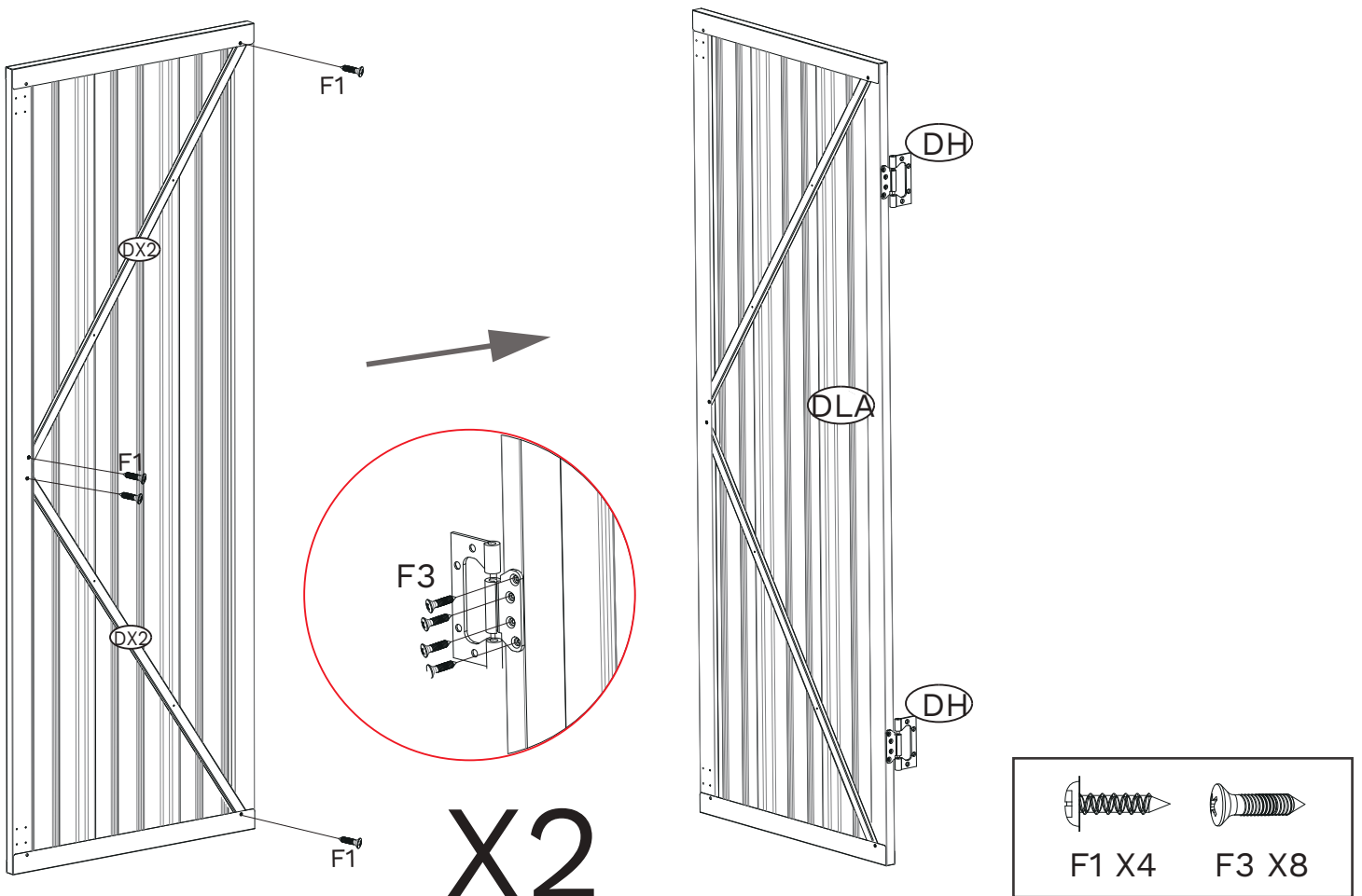


Note: make clear the front and back of the door panel

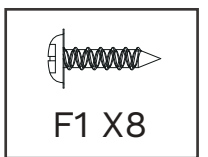
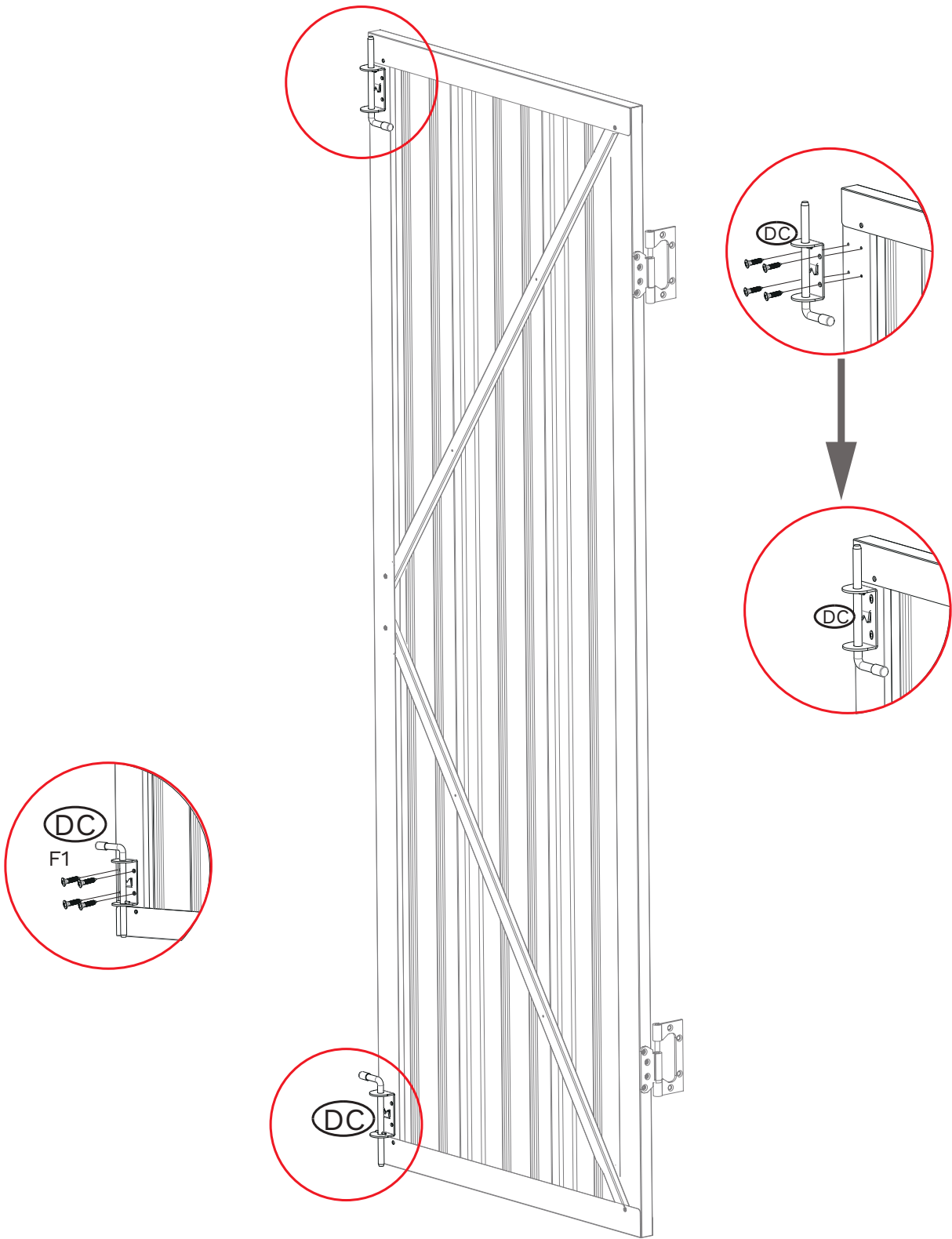
STEP 31



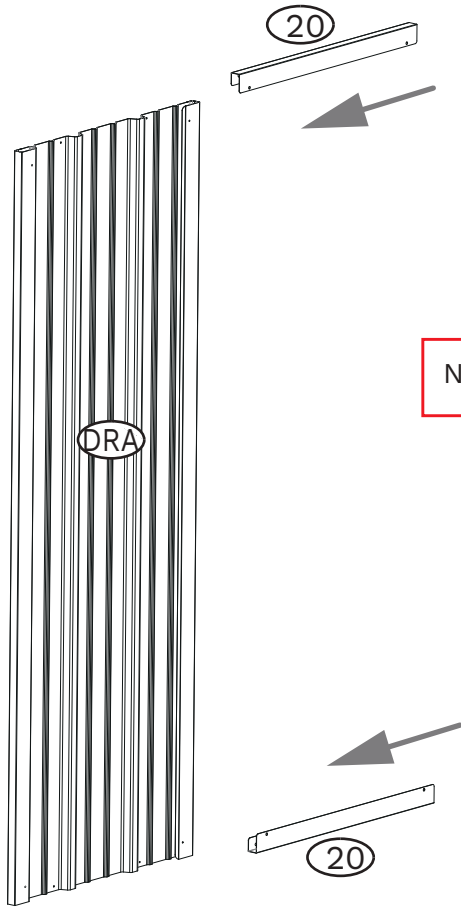
STEP 32



STEP 33

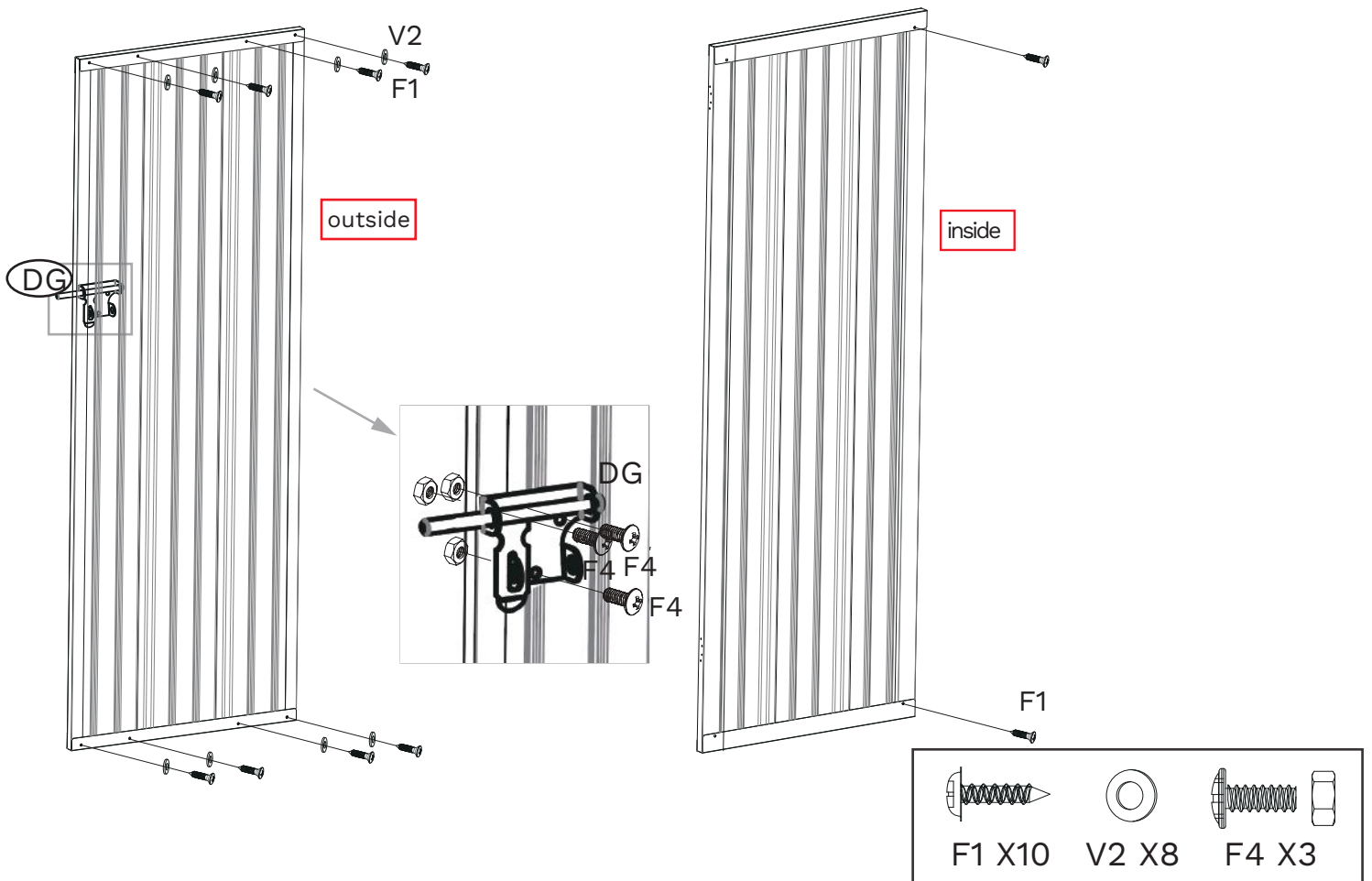


STEP 34

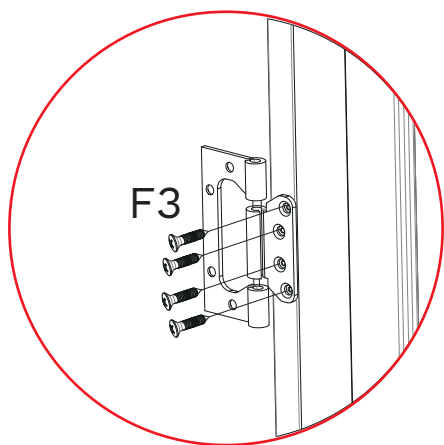


Note: make clear the front and back of the door panel

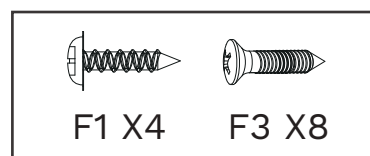
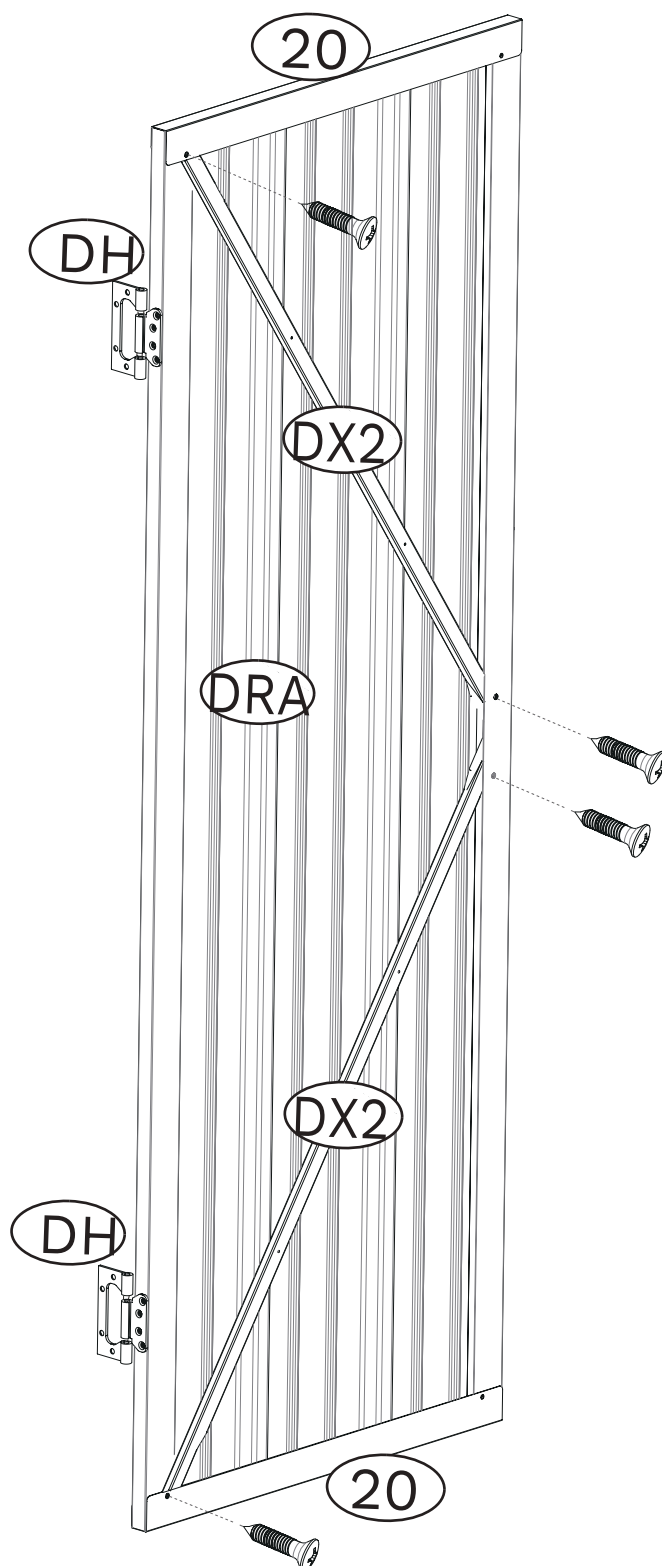
STEP 35



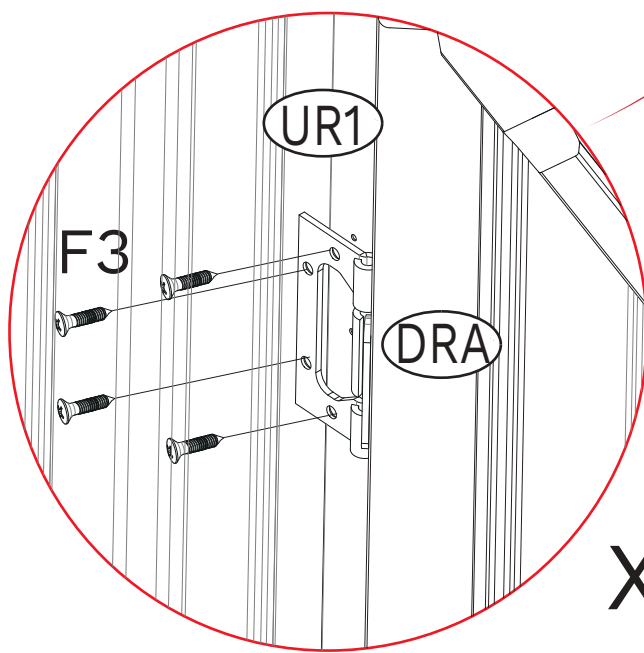
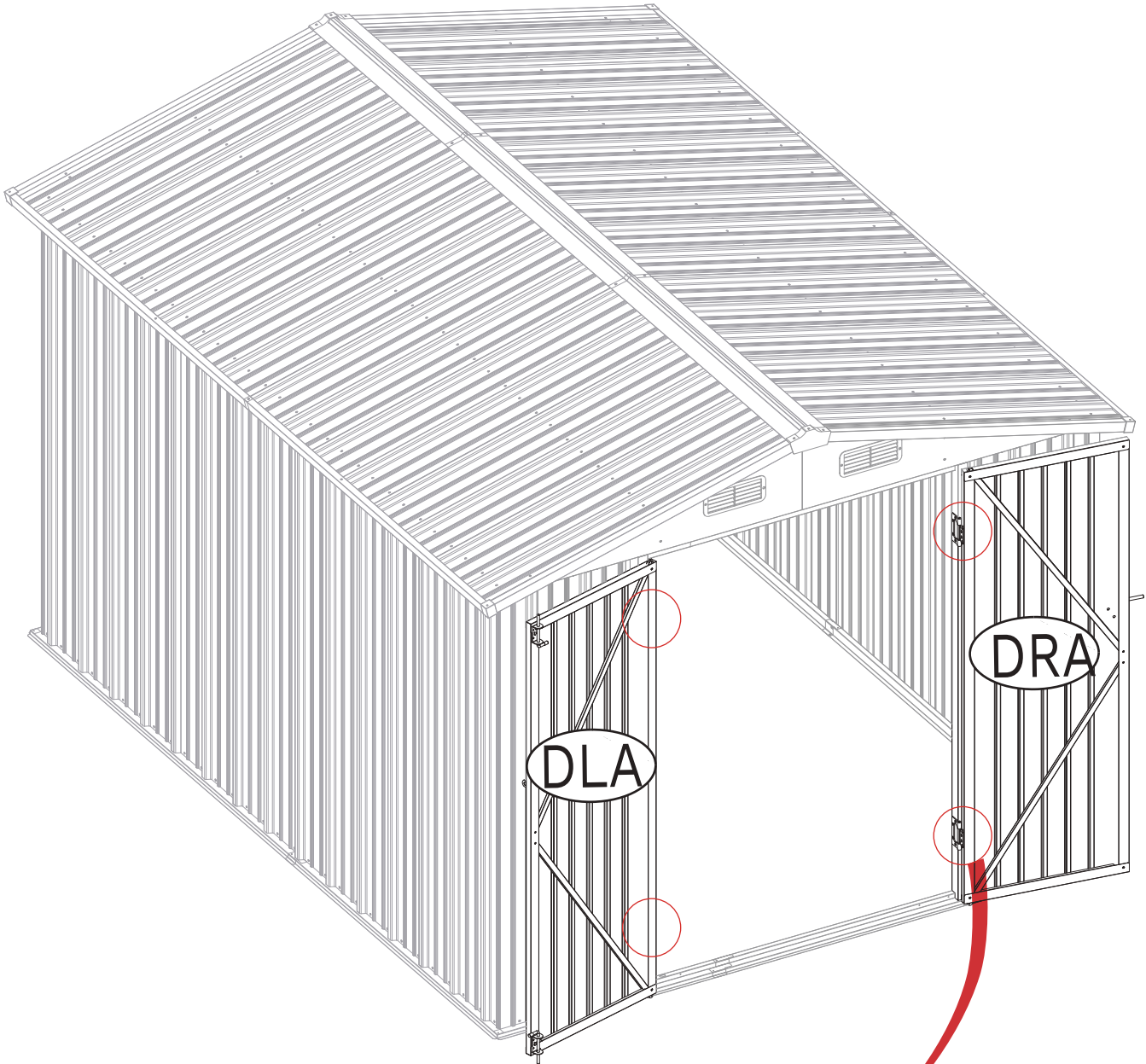
STEP 36



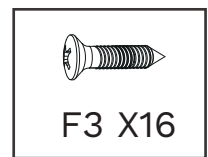
X2



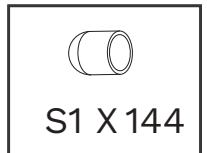
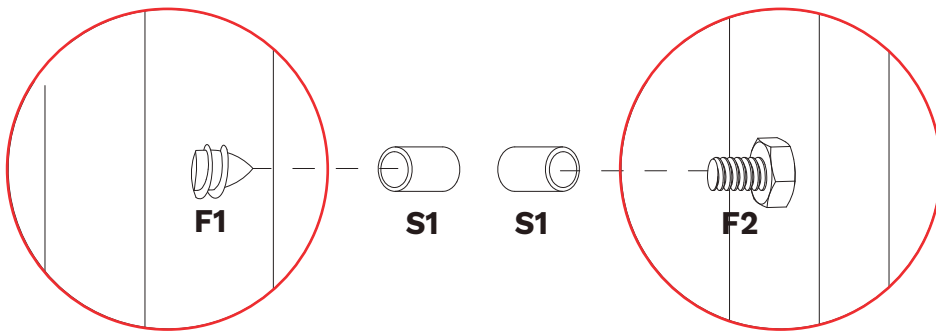
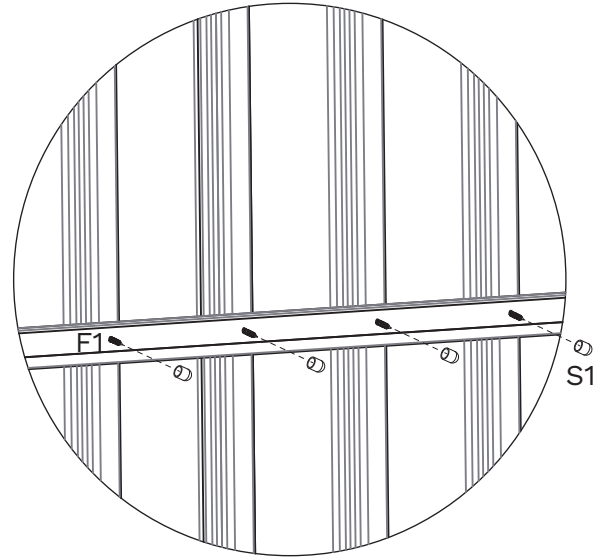
STEP 37



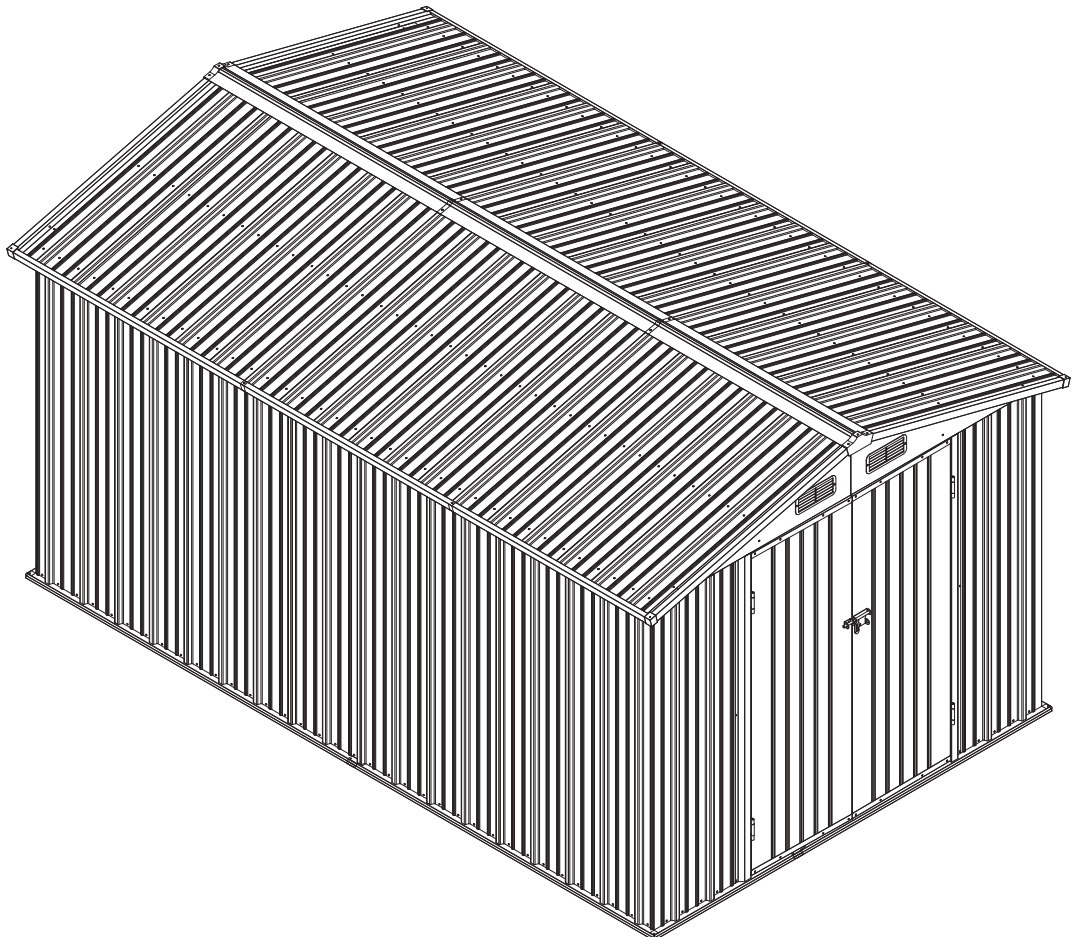
X4



STEP 38



FINISH



CARE & SAFETY

- In case of fire, do not attempt to extinguish any burning polypropylene with water
- Unsuitable for storage of flammable or corrosive substances.
- It is of utmost importance to assemble all of the parts according to the directions. Do not skip any step.
- Please consult your local authorities if any permits are required to erect shed.
- Periodically check shed to assure that it remains stable and that the site remains level.
- It is highly recommended to secure the shed to an immovable object or to the ground by drilling holes in the floor at the pre-marked locations and inserting proper screws into the ground (size: 1.9"-3" ,screws are not included).
- Wear safety-goggles and always follow the manufacturer's instructions when using power tools.
- Wash shed with garden hose or a mild detergent solution. Using a stiff brush or abrasive cleaner could damage shed.
- Hot items such as recently used grills, blowtorches, etc. must not be stored in the shed.
- Heavy articles should not be leaned against the walls, as this may cause distortion.
- Keep roof clean of snow and leaves. Heavy amounts of snow on roof can damage the shed making it unsafe to enter.
- Although wind direction varies, it is an important factor when taking into account where to place your shed. Therefore, it is recommended to reduce wind exposure of the shed in general, and the door side in particular.
- Keep doors closed and locked to prevent wind damage.
- Do not stand on the roof.