

ASSEMBLY INSTRUCTIONS

# METAL GARDEN SHED

SKU: T-PS23-0355A

BE  
YOUR  
LIFE BUILDER

[www.patiowell.com](http://www.patiowell.com)



 **Patiowell**

Metal Garden House  
Installation Tutorial

[https://www.patiowell.com/  
pages/video-t-ps23-0355a](https://www.patiowell.com/pages/video-t-ps23-0355a)

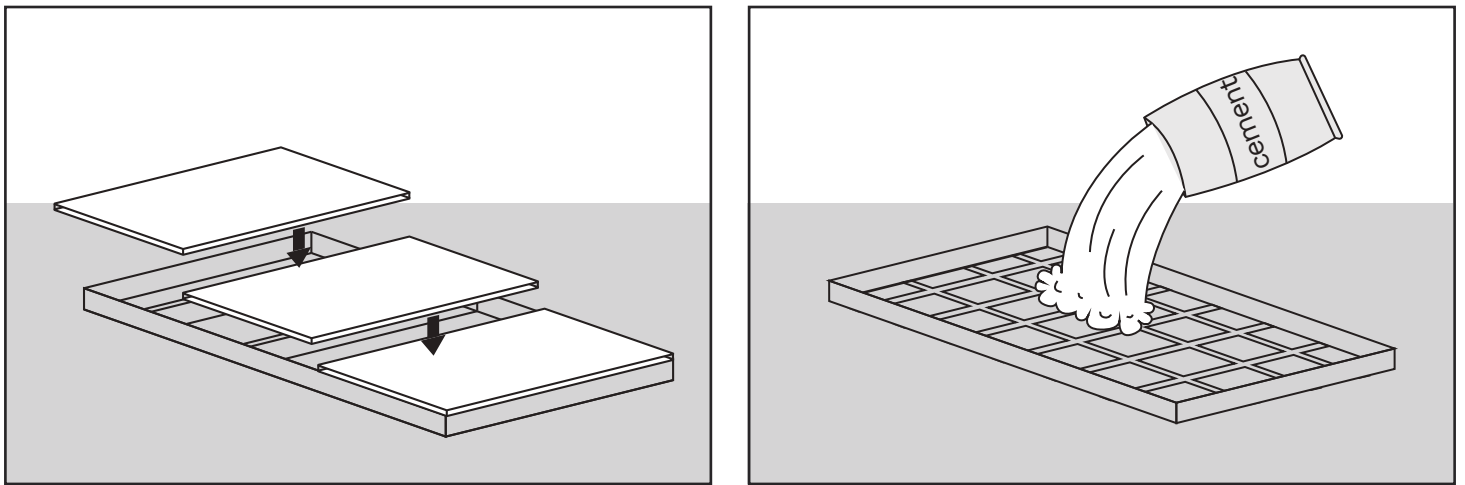
 [saleservice@patiowell.com](mailto:saleservice@patiowell.com)

# SITE PREPARATION

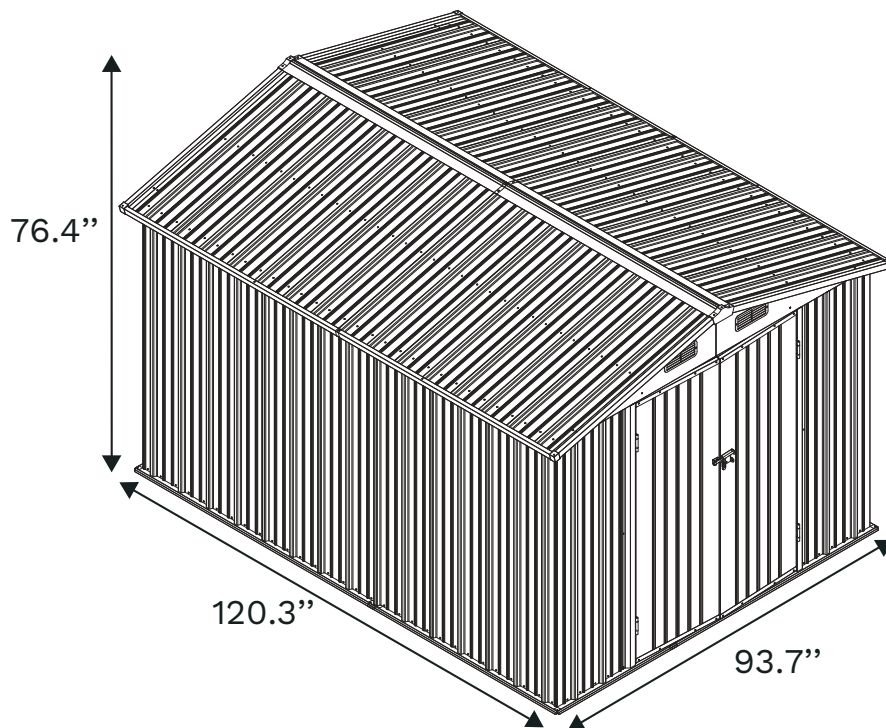
Level the ground surface.



Recommendation: Construct a wooden or concrete base as a foundation.



The external dimensions of the product :



## BEFORE STARTING ASSEMBLY

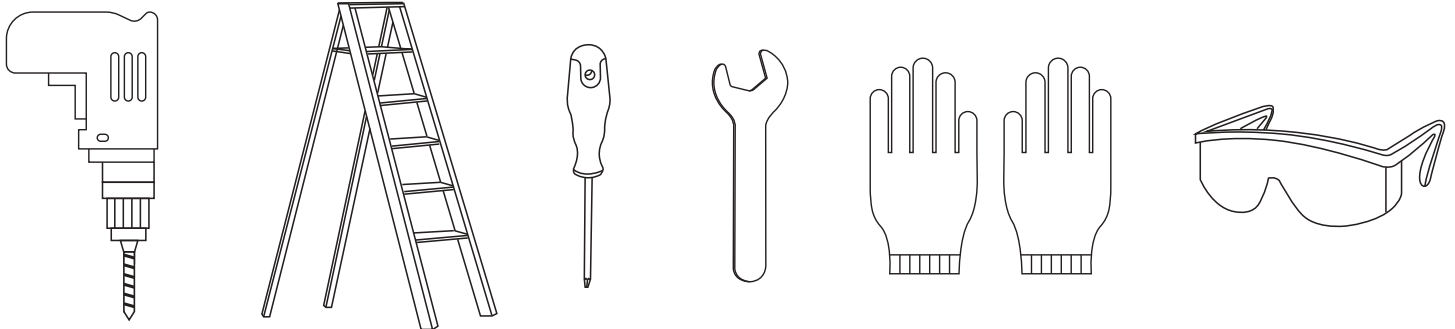
Remove all of the pieces from the 3 packages and spread them out on the ground. Before installation, please check the type and quantity of parts first.

It is recommended to use a clean work surface to spread the parts out and for pre-assembly steps. Review all instructions before you begin, continue to refer to instructions during assembly.

Be sure to follow all steps thoroughly.

Please prepare these components in advance at the beginning of each stage.

## REQUIRED TOOLS



## CAUTION

Some parts have steel edges. Please be careful when handling components. Always wear work gloves, eye protection and long sleeves when assembling or performing any maintenance on your shed. Do not attempt assembly on days with strong winds or low temperatures.



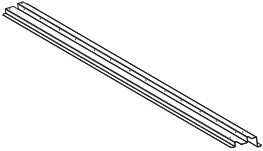
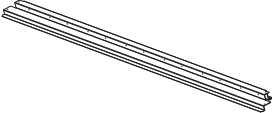
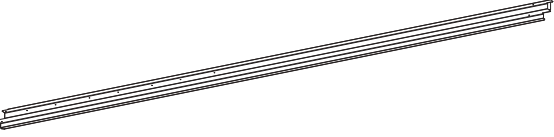
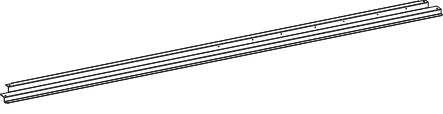
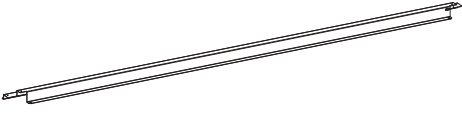
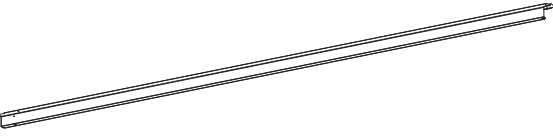
Requires two people and takes 2-3 hours for Installation. Recommended to wear gloves to avoid scratches. Please read the manual carefully before installation.

**DO NOT RETURN YOUR UNIT  
TO THE STORE**

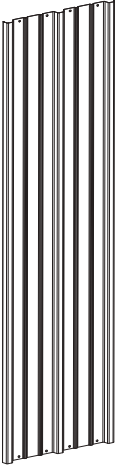
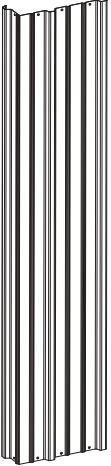
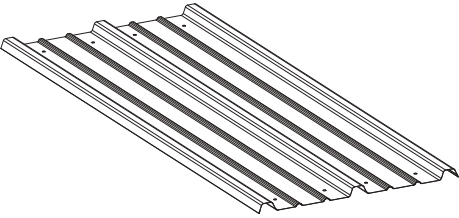
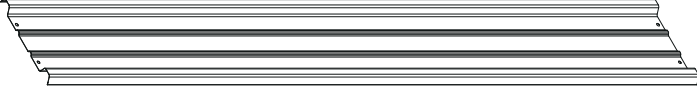
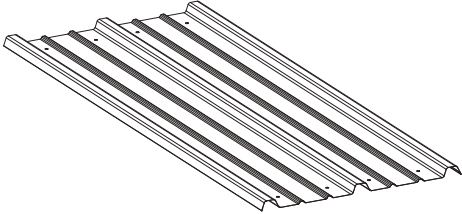
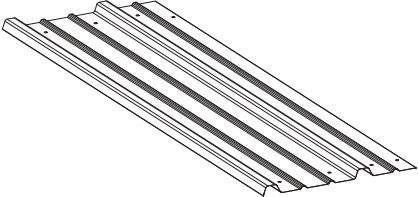
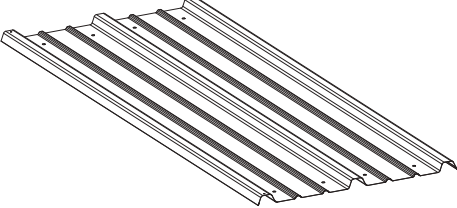
**Contact us first**

**[saleservice@patiowell.com](mailto:saleservice@patiowell.com)**

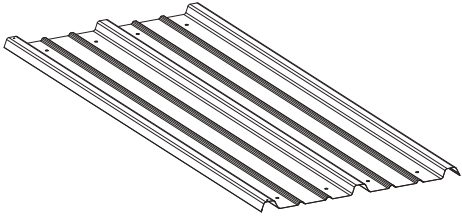
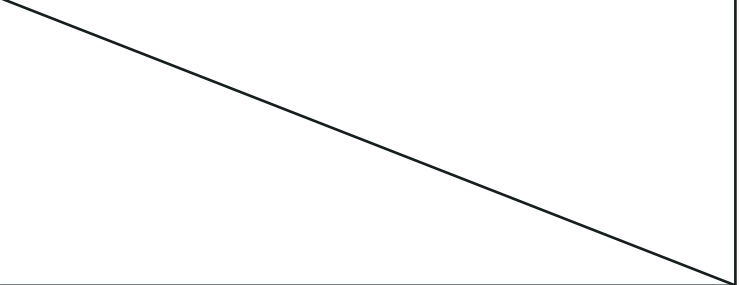
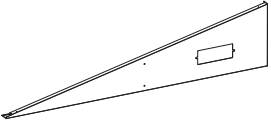
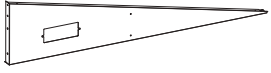
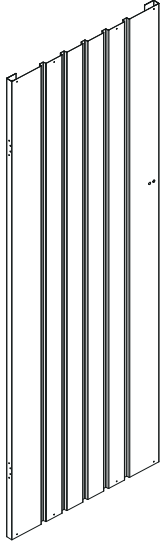
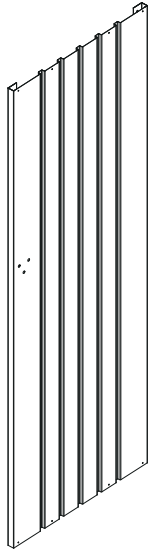
# FOUNDATION

<p>1 X2</p> 	<p>2 X2</p> 
<p>BE1L X1</p> 	<p>BE1 X1</p> 
<p>BE2L X1</p> 	<p>BE2 X1</p> 





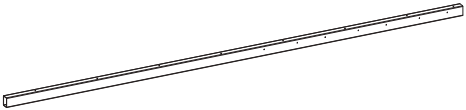
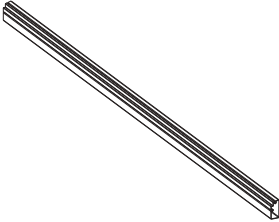


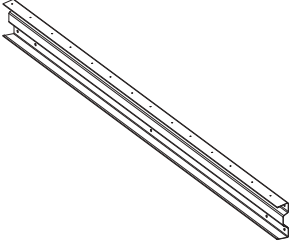
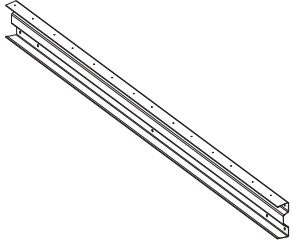
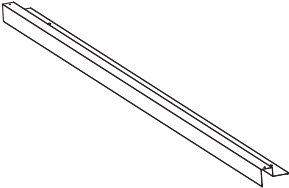
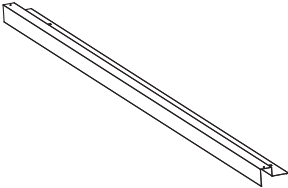
# PLATES

 <p>W1A X18</p>	 <p>WS2A X4</p>	 <p>PE3 X4</p>
 <p>WS3A X2</p>	 <p>PE4 X4</p>	
 <p>PE6 X2</p>	 <p>P4 X2</p>	

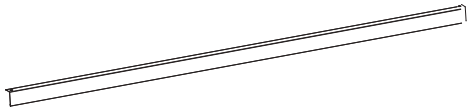

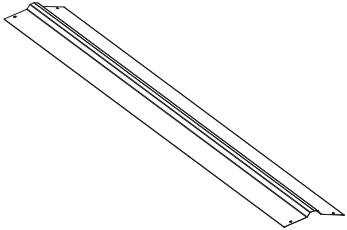




# PLATES

 <p>P5 X2</p>	
 <p>A3 X2</p>	 <p>A4 X2</p>
 <p>DLA X1</p>	 <p>DRA X1</p>

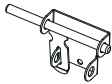



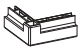

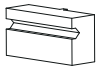

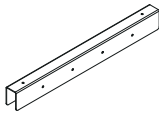


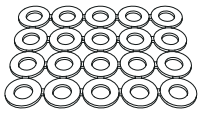
# STRIPS

 <p>ULA X1</p>	 <p>UR1 X1</p>	 <p>DX2 X4</p>  <p>7 X1</p>
 <p>8 X1</p>	 <p>9 X4</p>	
 <p>10L X1</p>	 <p>10R X1</p>	
 <p>13 X4</p>	 <p>14 X4</p>	
 <p>M9 X2</p>	 <p>M10 X2</p>	

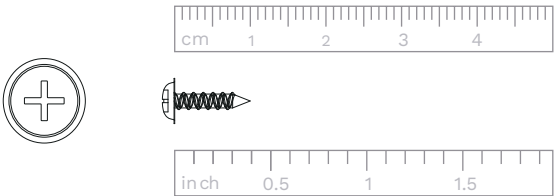
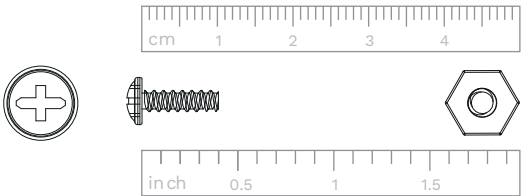
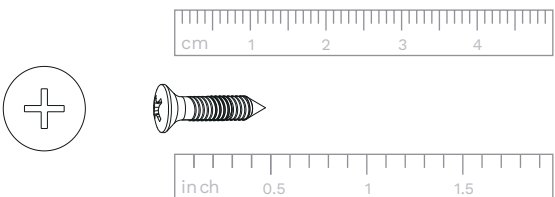
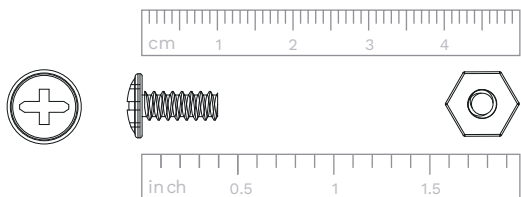
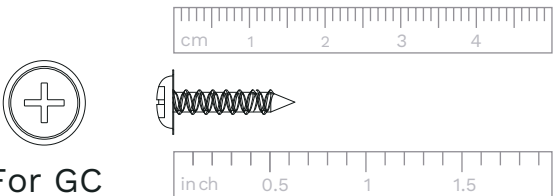
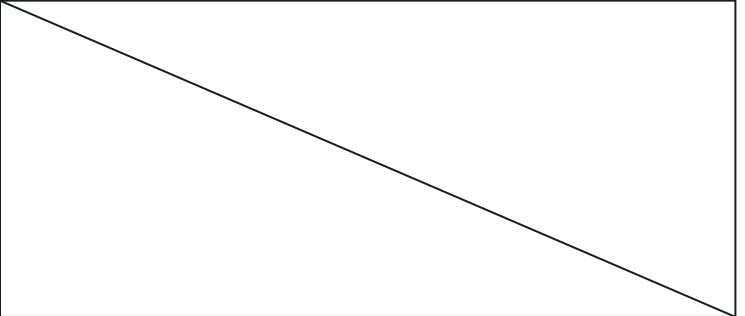
# STRIPS

 <p>17 X2</p>	 <p>18 X2</p>		
 <p>19 X2</p>	 <p>20 X4</p>		
 <p>C4L X2</p>	 <p>C5 X4</p>	 <p>C4R X2</p>	

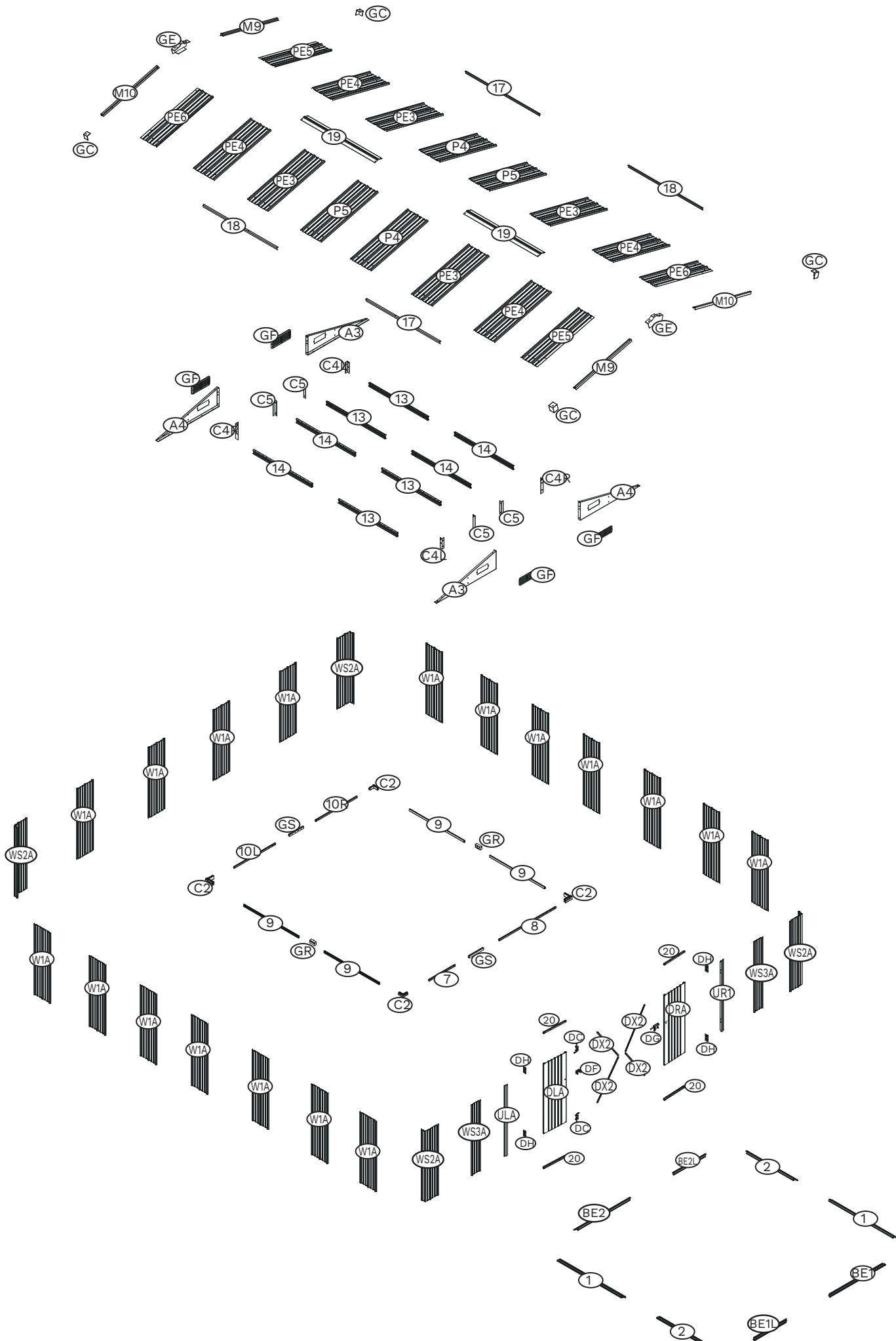
# STANDARD

 <p>DG X1</p>	 <p>DF X1</p>	 <p>DC X2</p>	 <p>DH X4</p>
 <p>C2 X4</p>	 <p>GF X4</p>	 <p>GR X2</p>	 <p>GE X2</p>
 <p>GS X2</p>	 <p>GC X4</p>	 <p>S1 X104</p>	 <p>V2 X418</p>

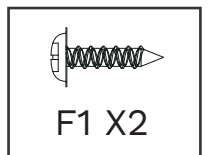
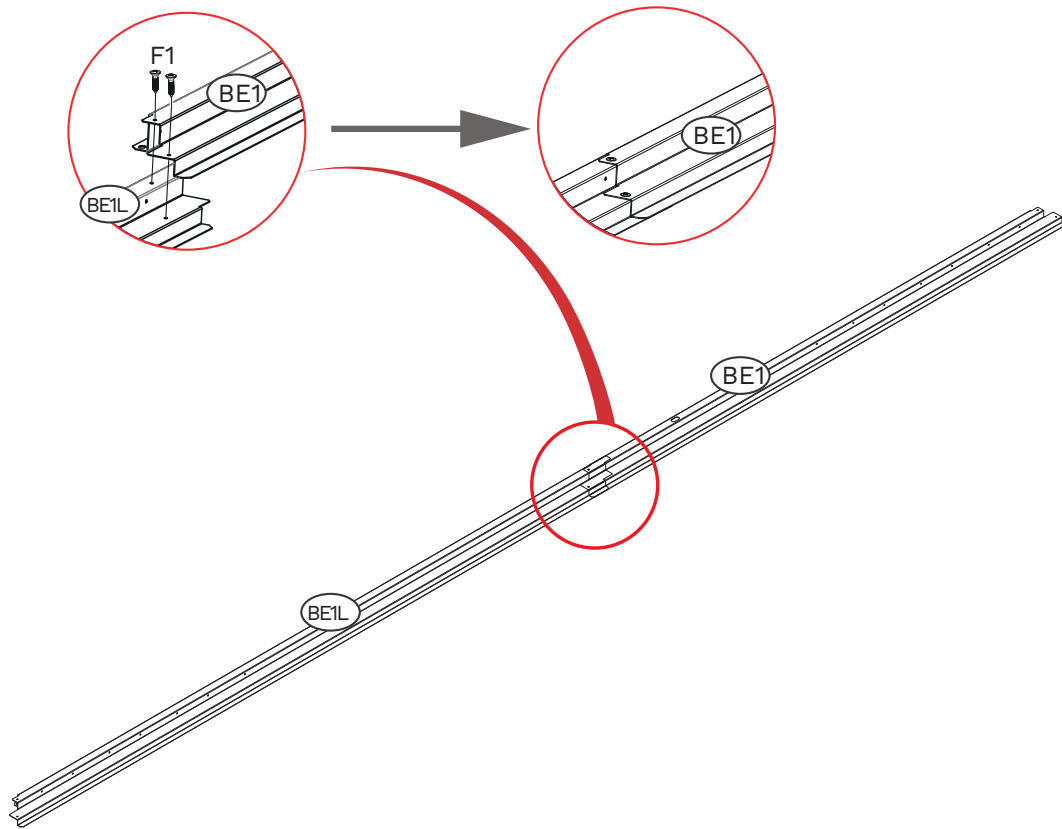
# SCREW

 <p>F1(X487) M4*10</p>	 <p>F2(X54) M4*10</p>
 <p>F3(X32) M5*12</p>	 <p>F4(X5) M6*10</p>
 <p>For GC F5(X4) M4*16</p>	

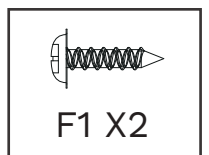
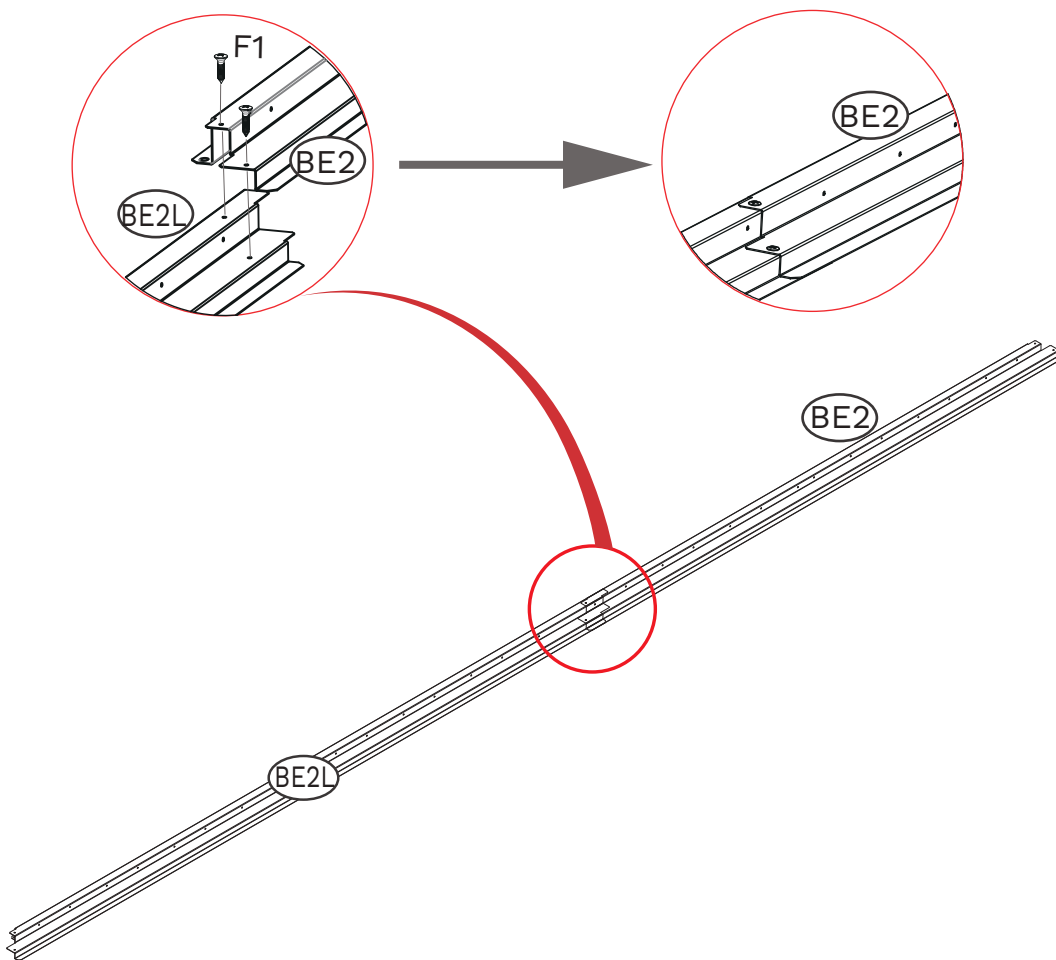




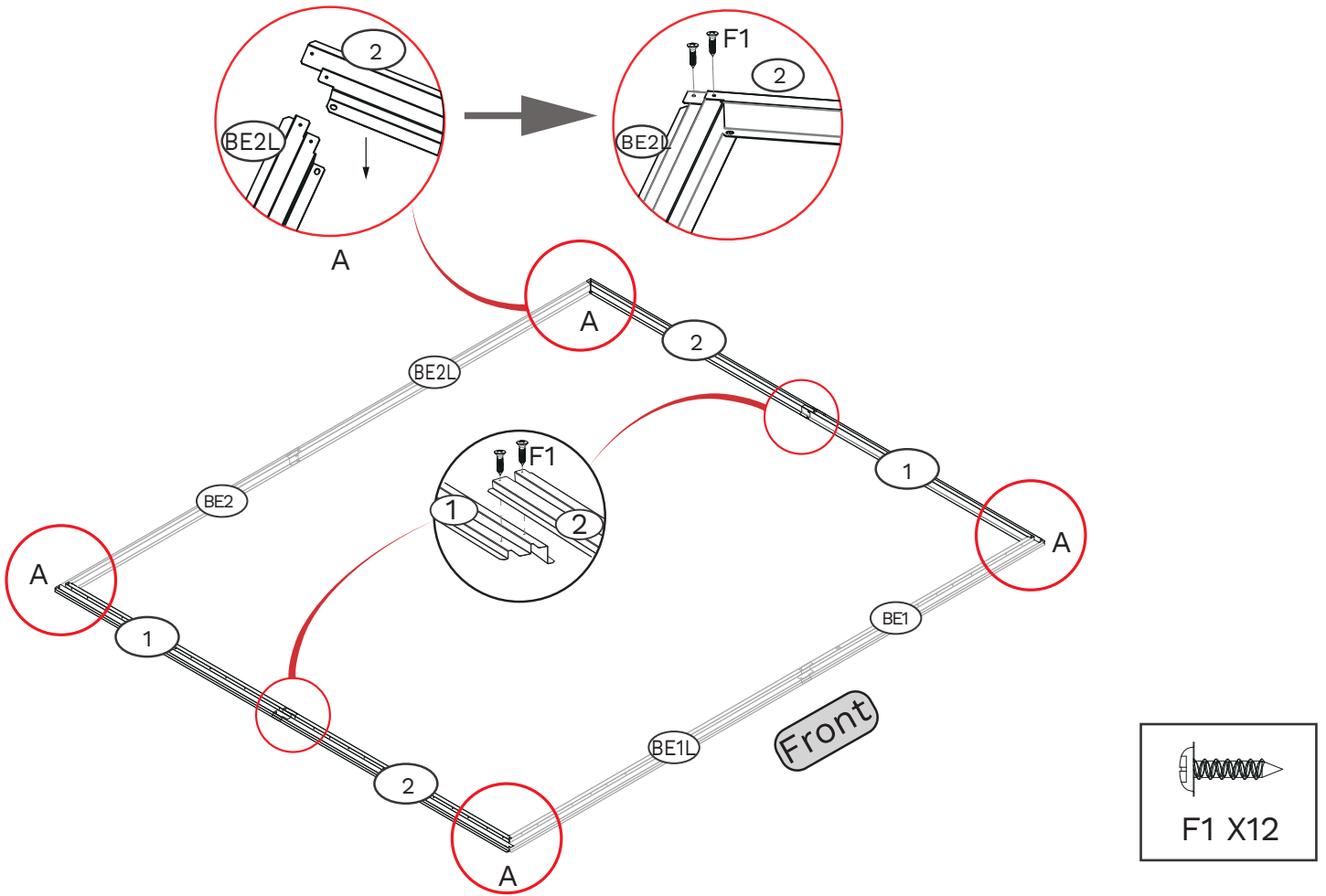
# STEP 1



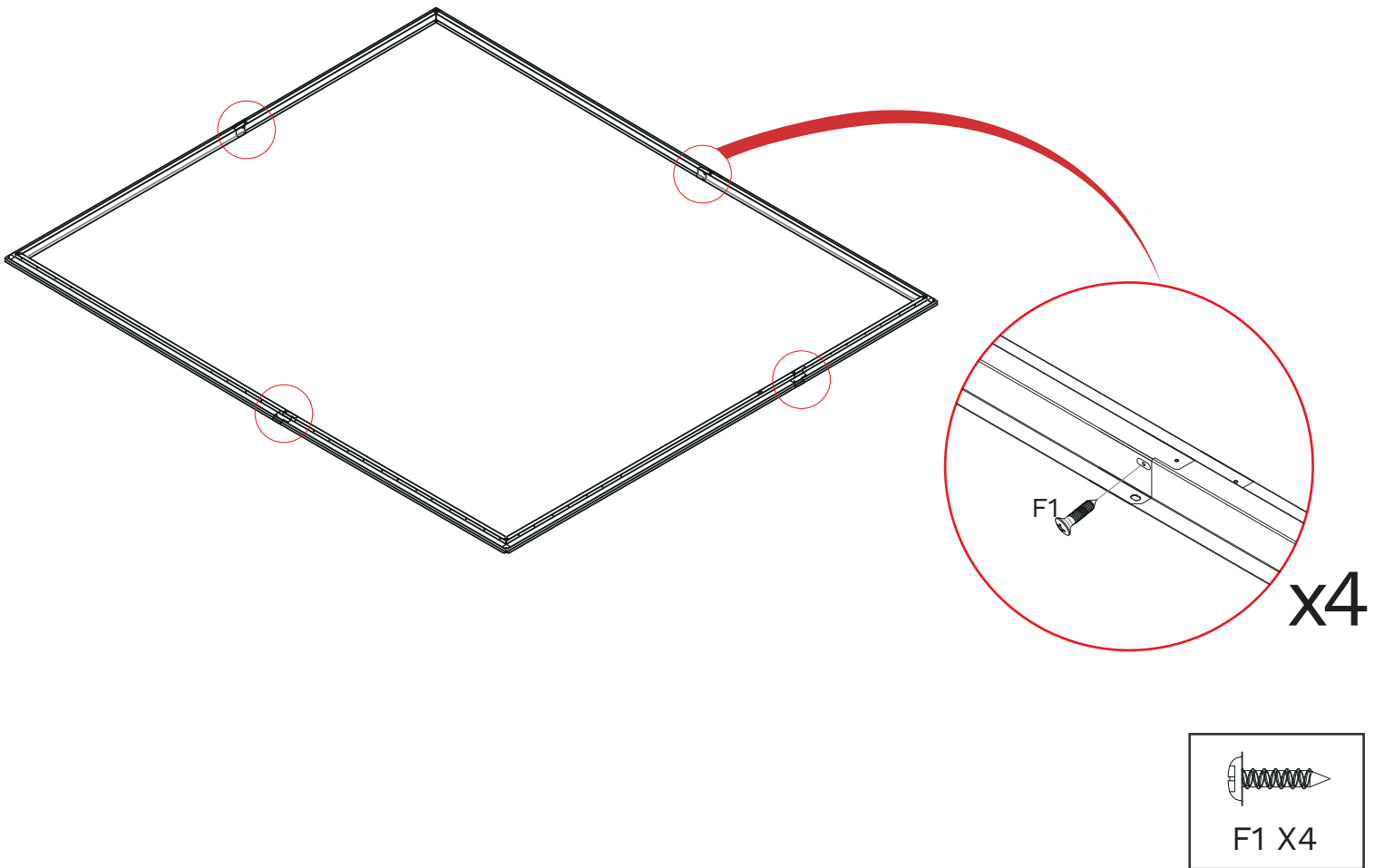
# STEP 2



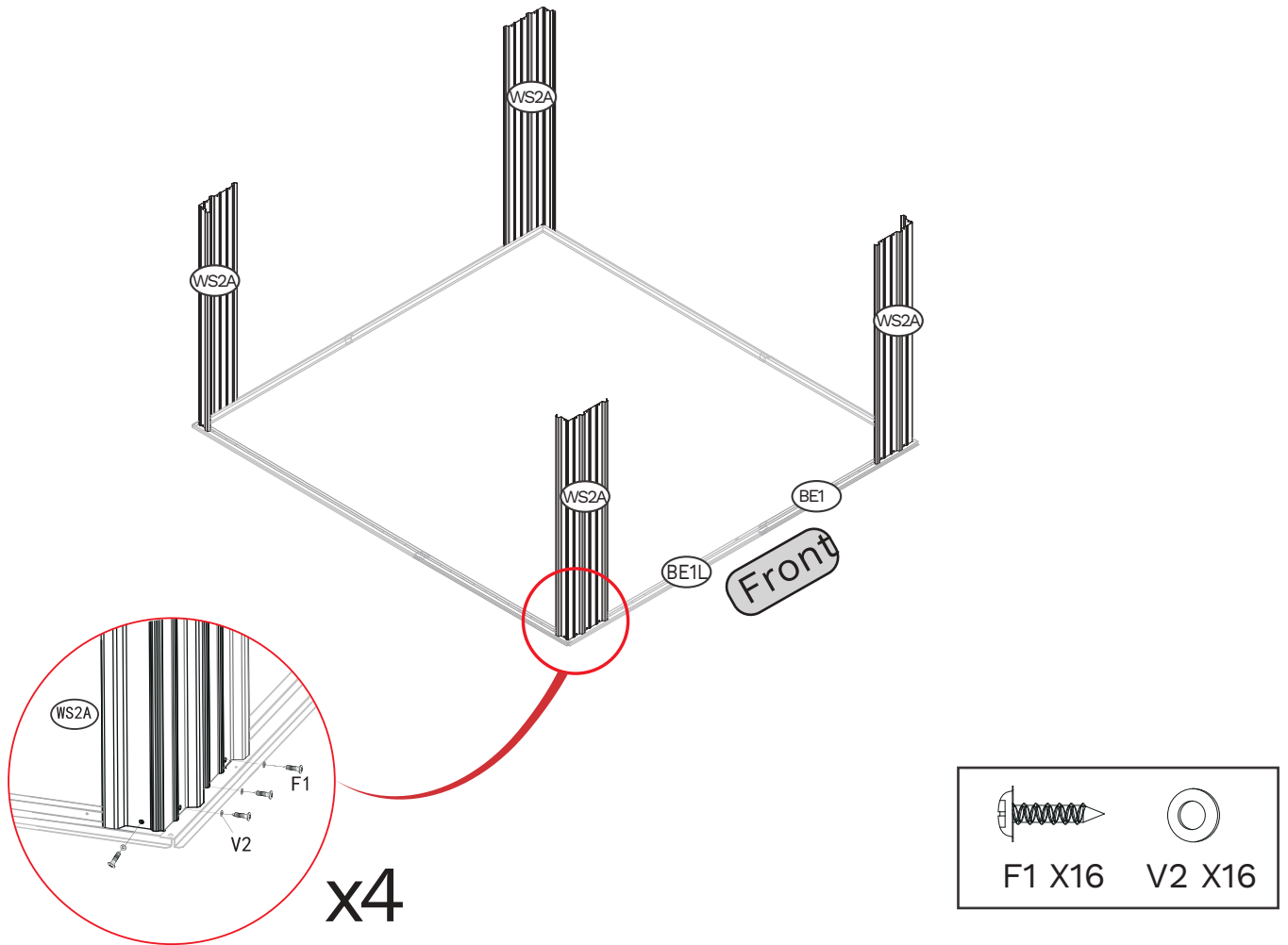
# STEP 3



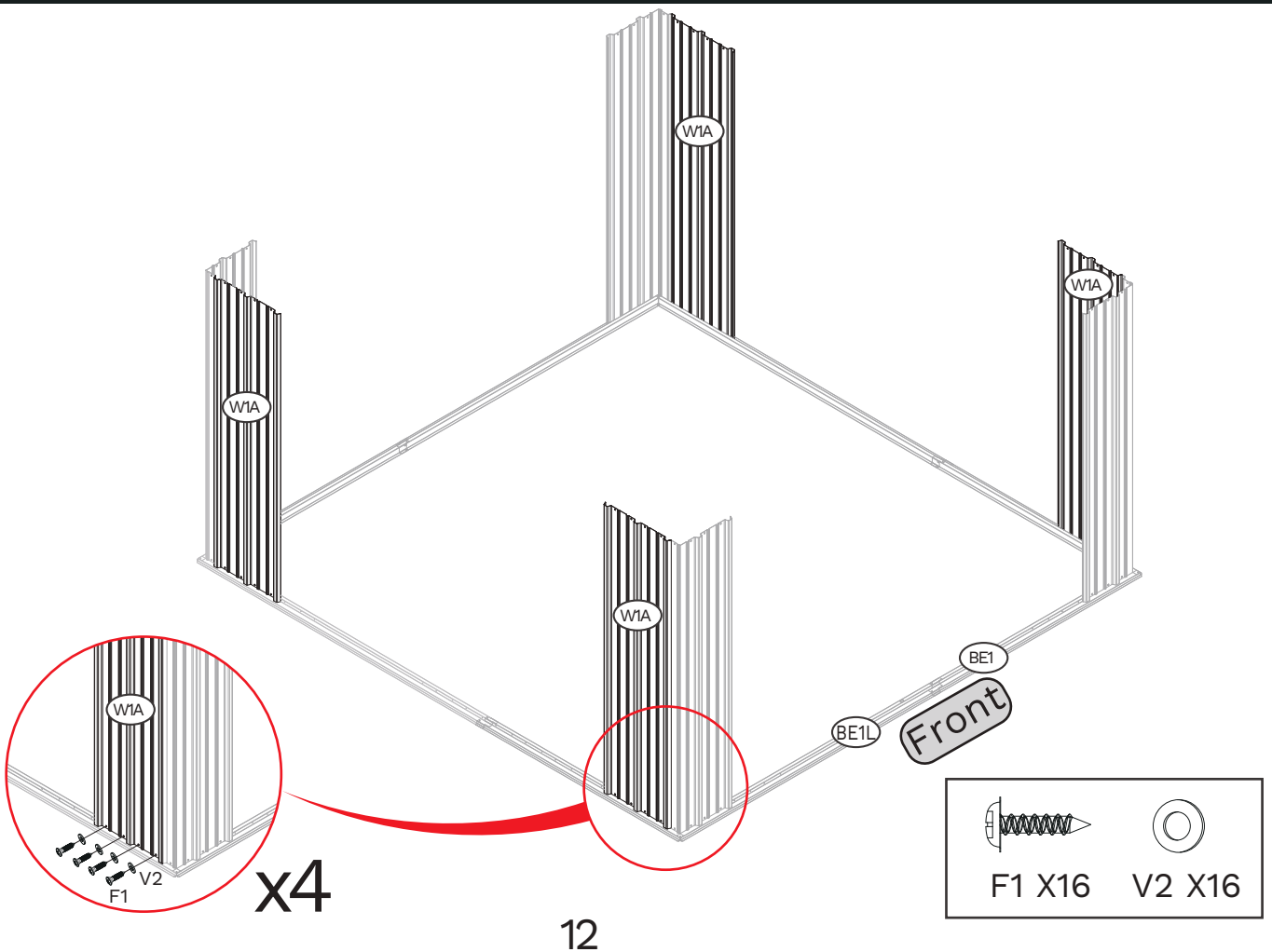
# STEP 4



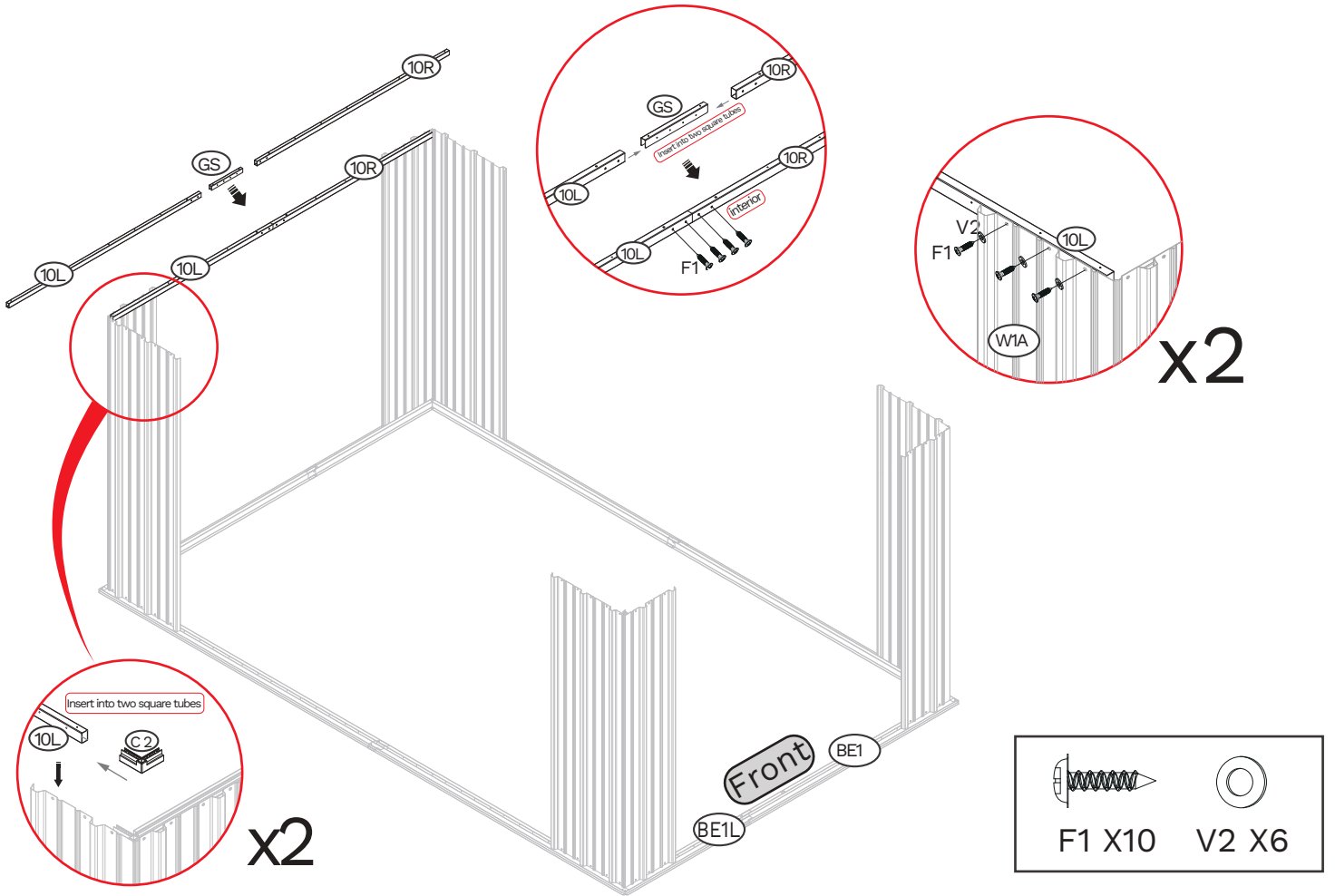
# STEP 5



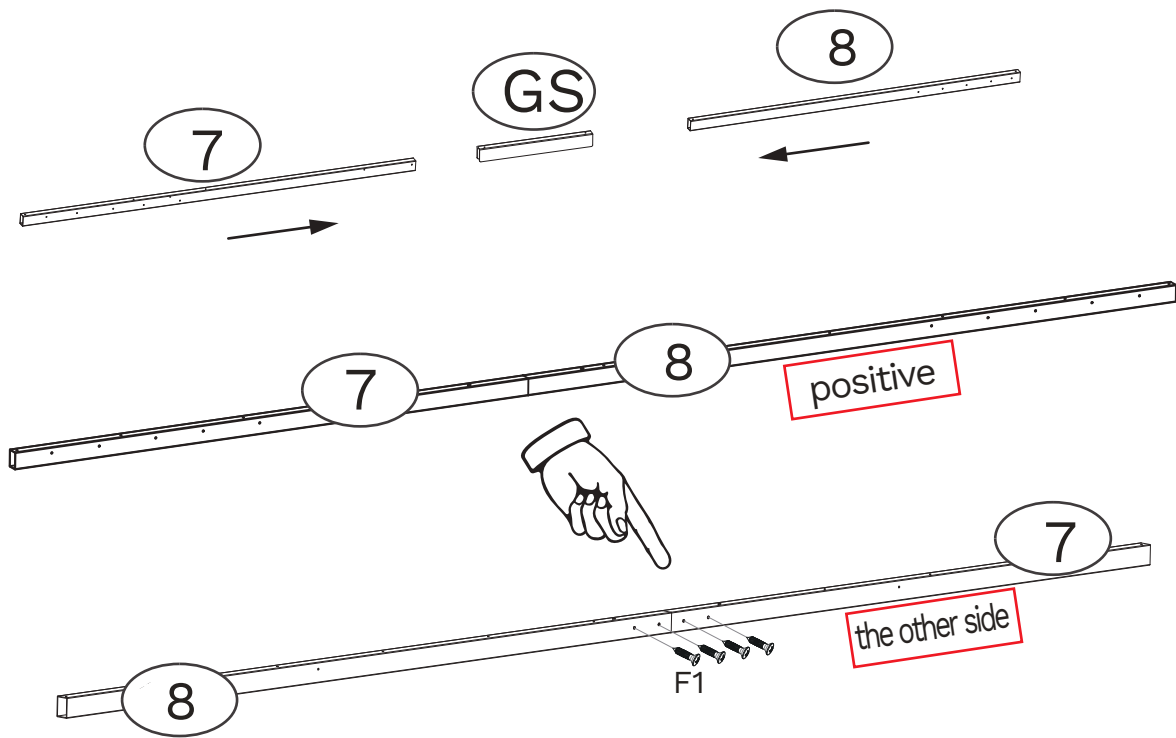
# STEP 6



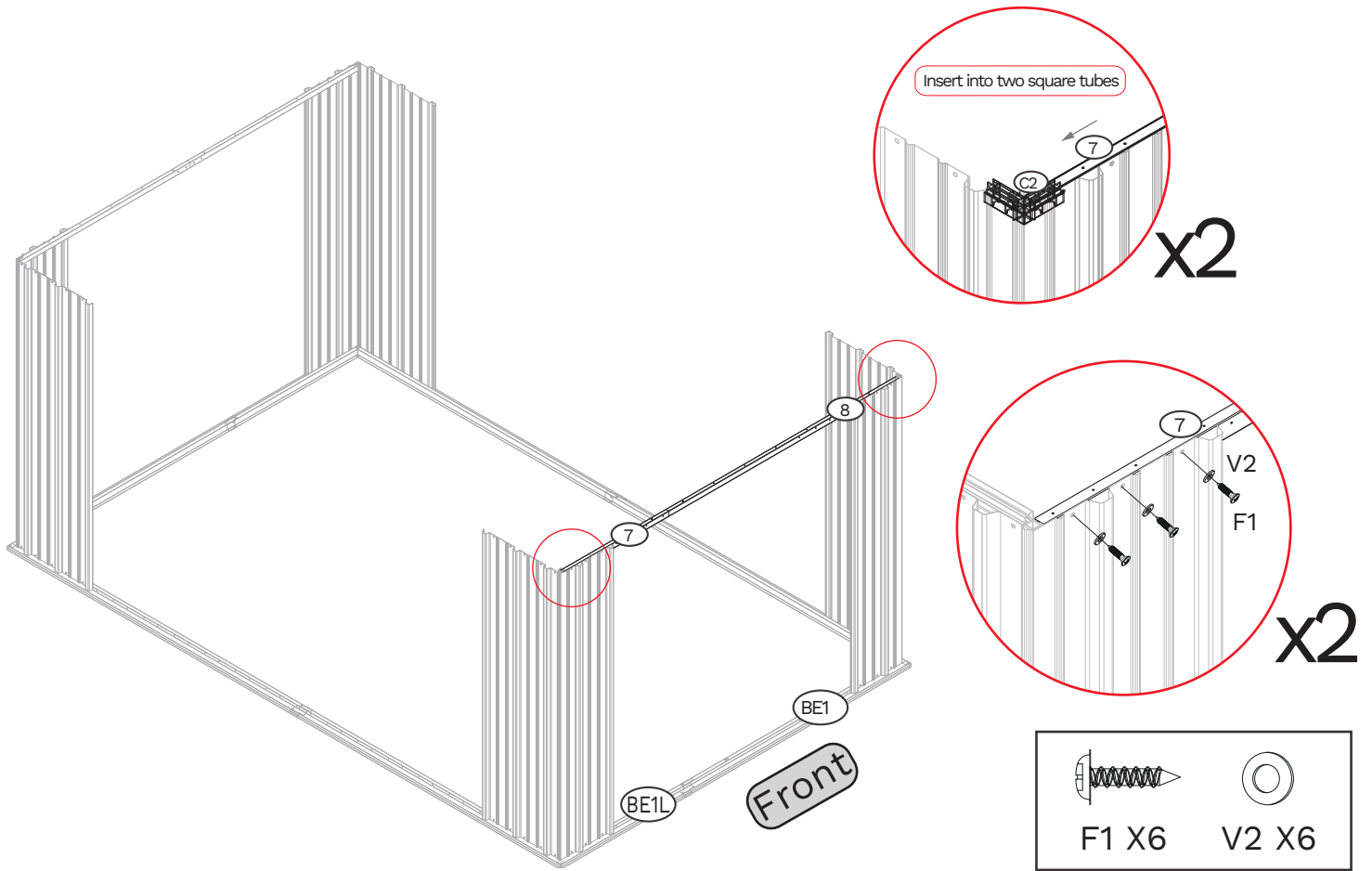
# STEP 7



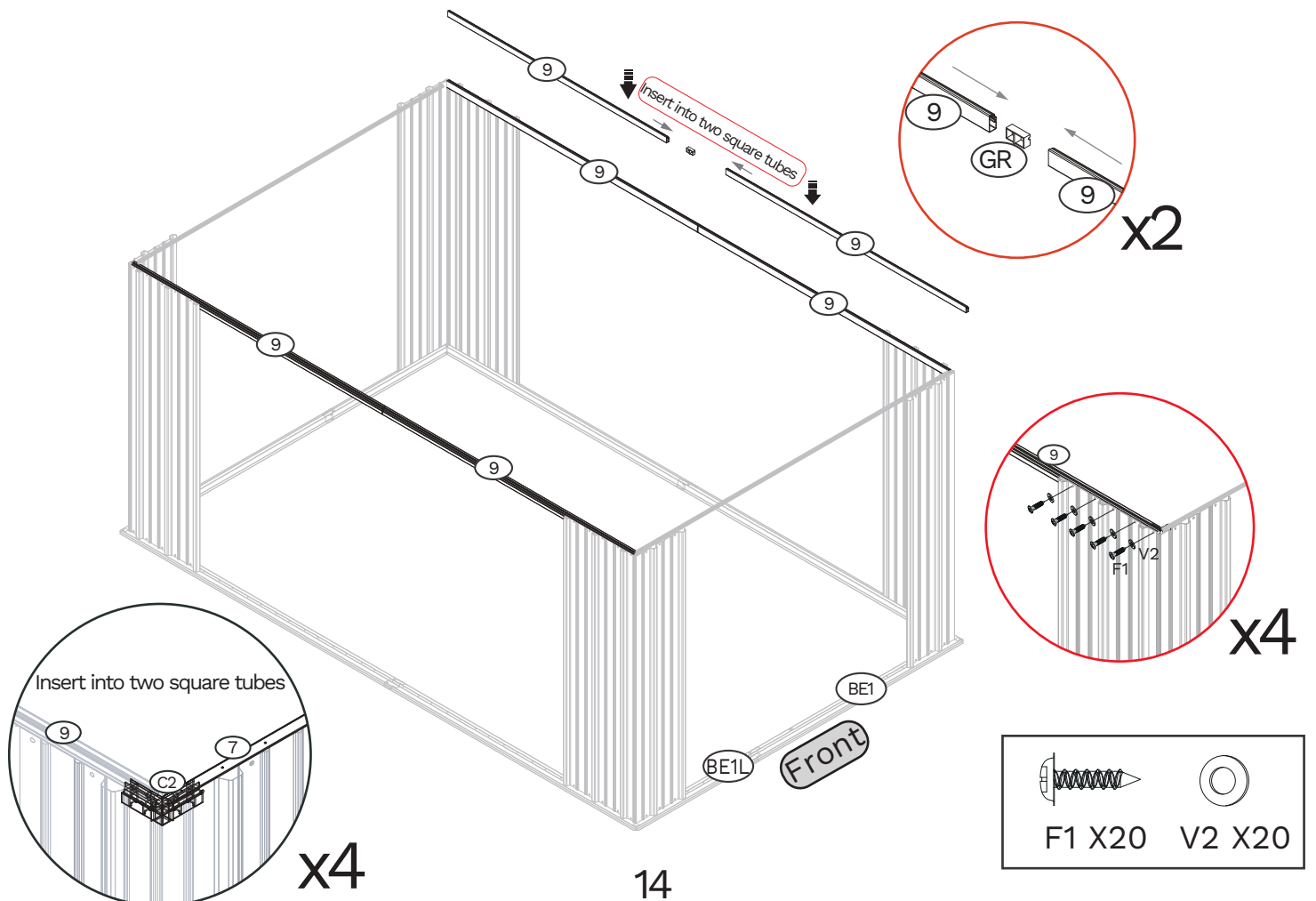
# STEP 8



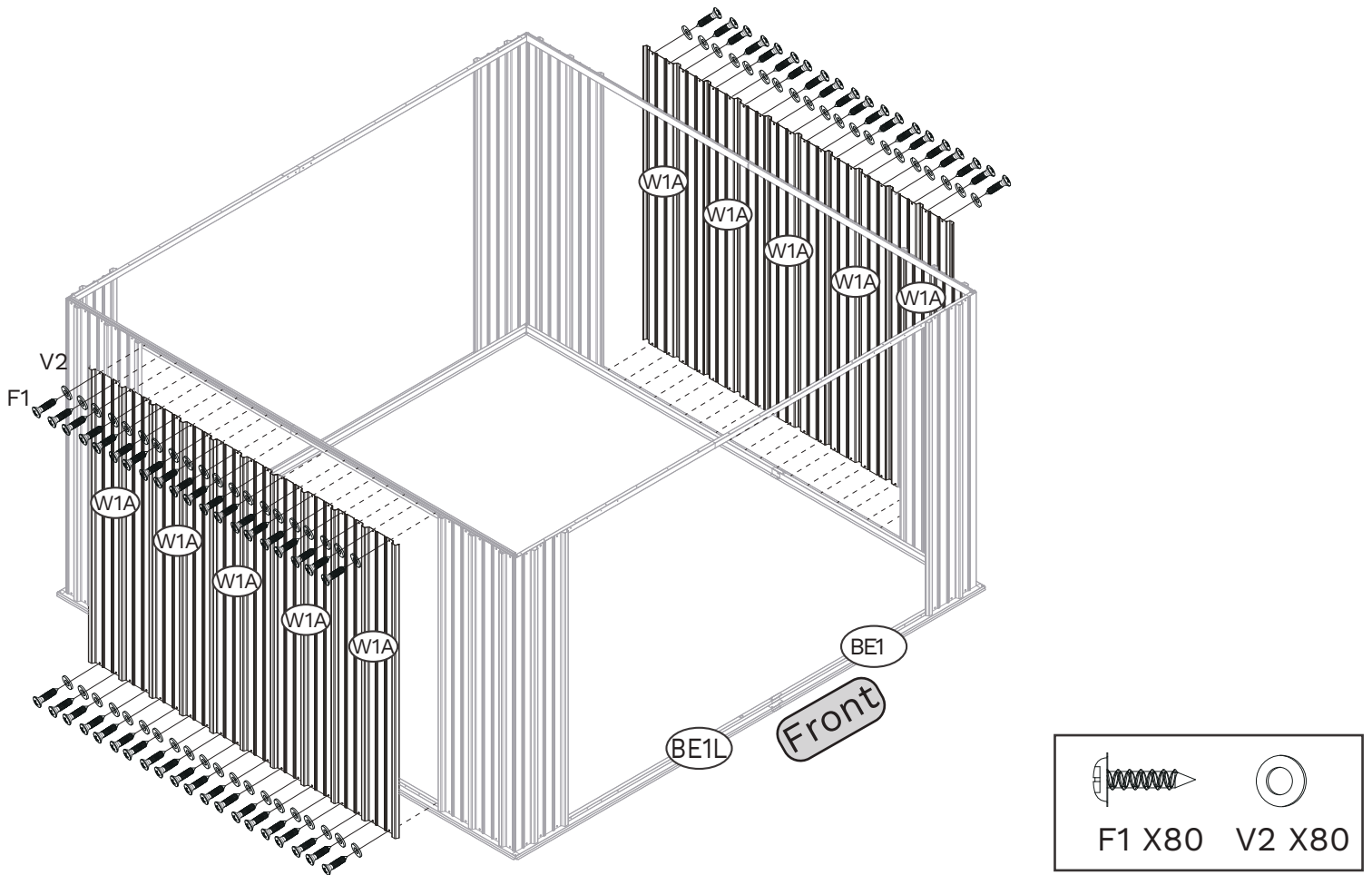
# STEP 9



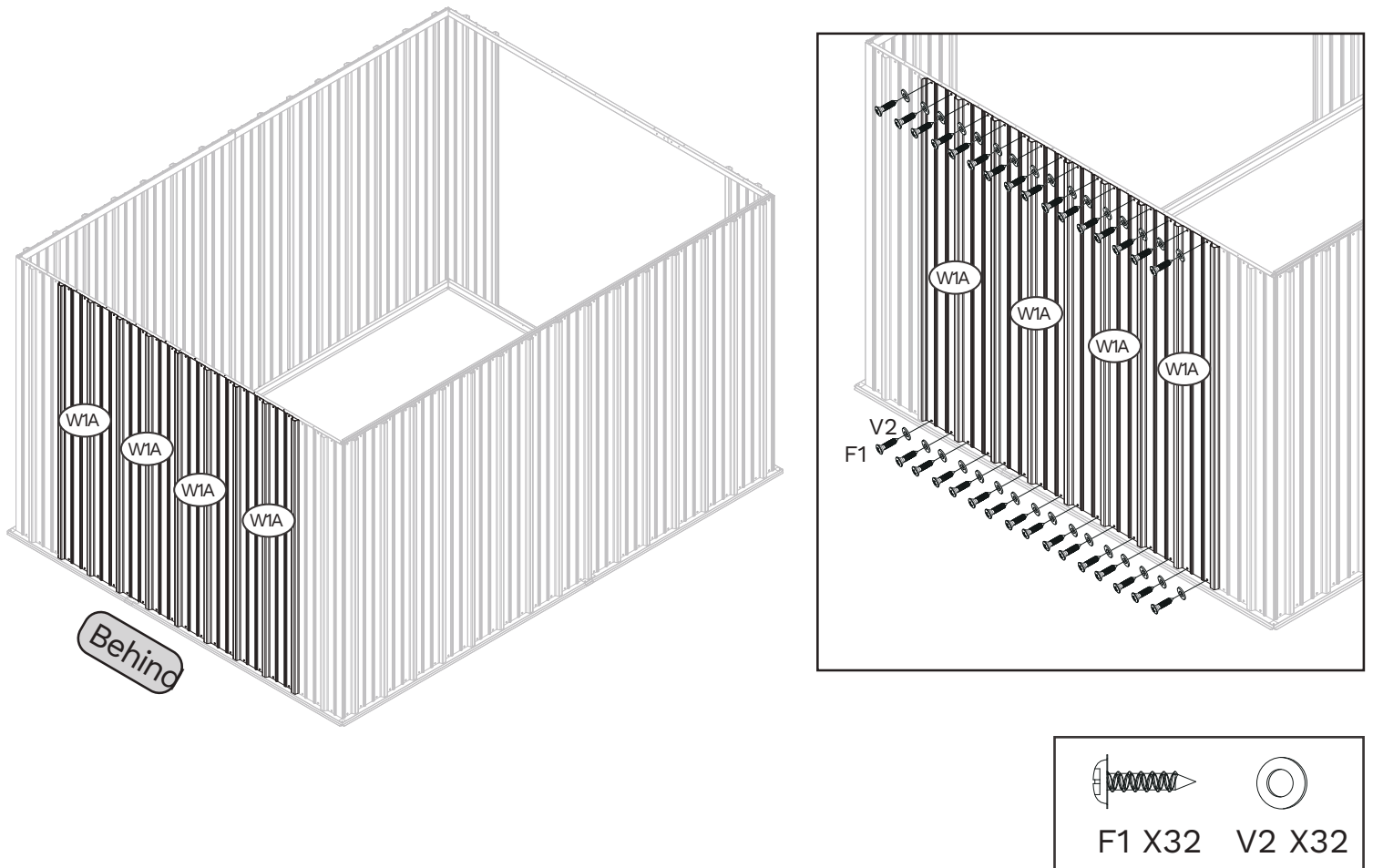
# STEP 10



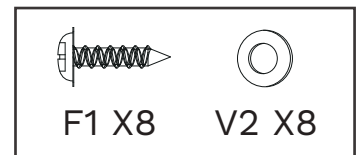
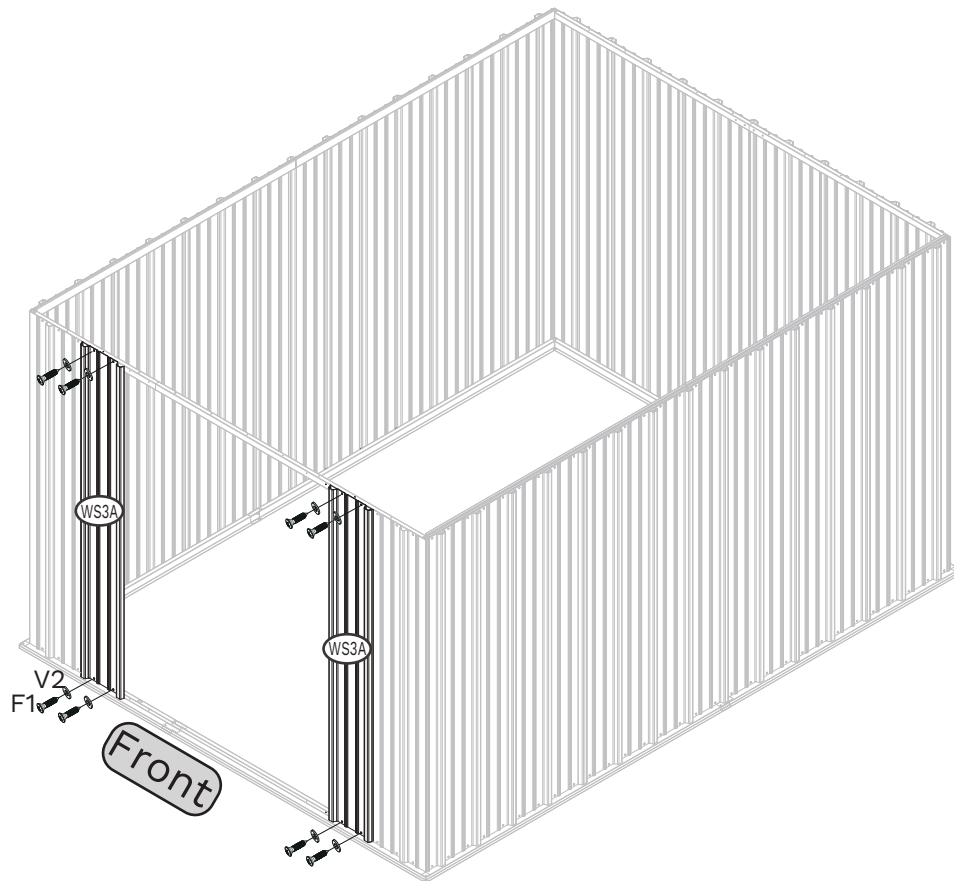
# STEP 11



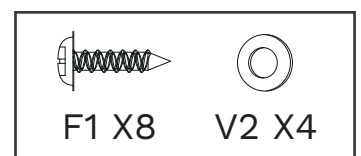
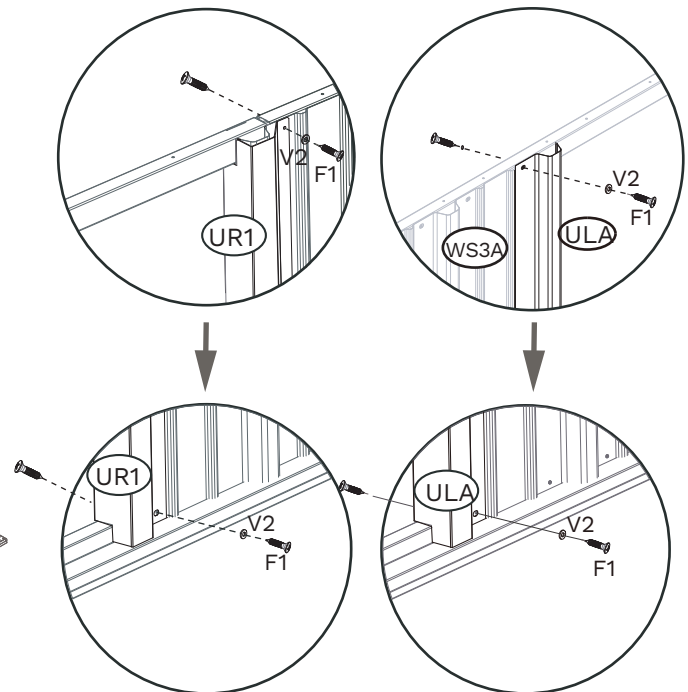
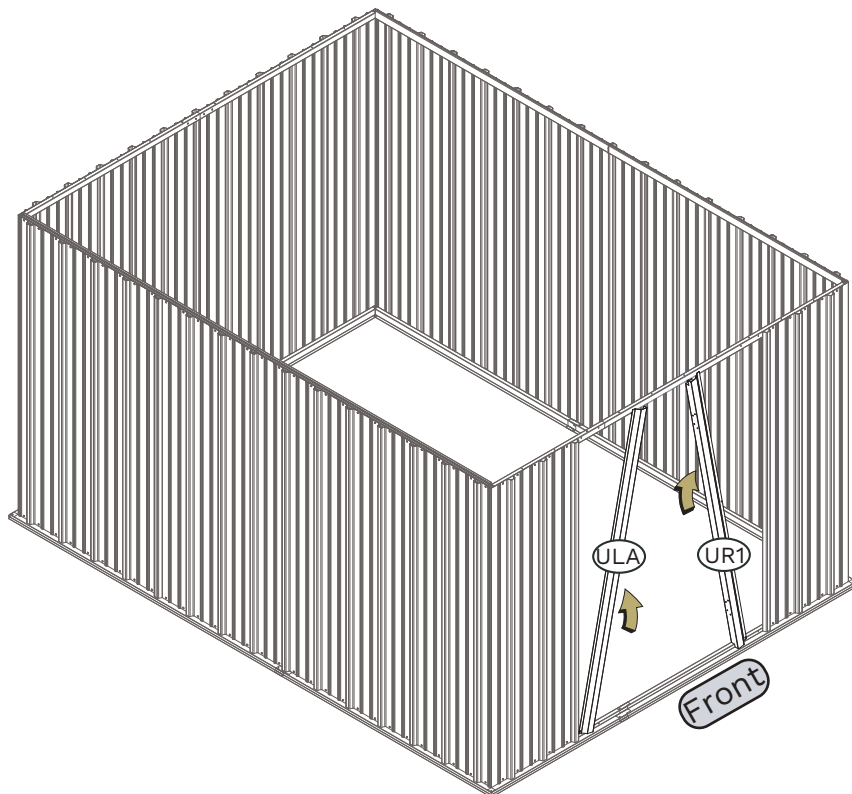
# STEP 12



# STEP 13

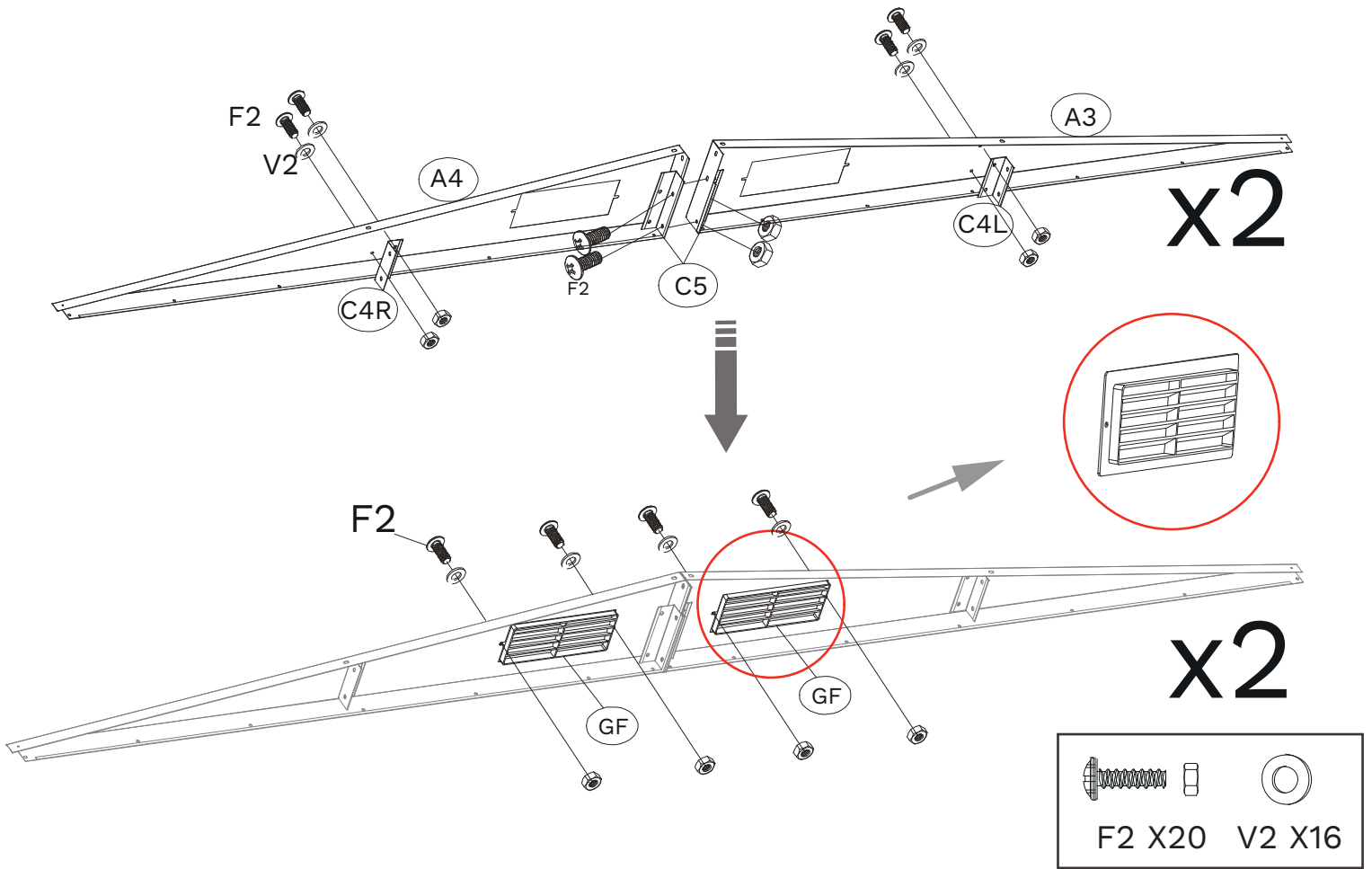


# STEP 14

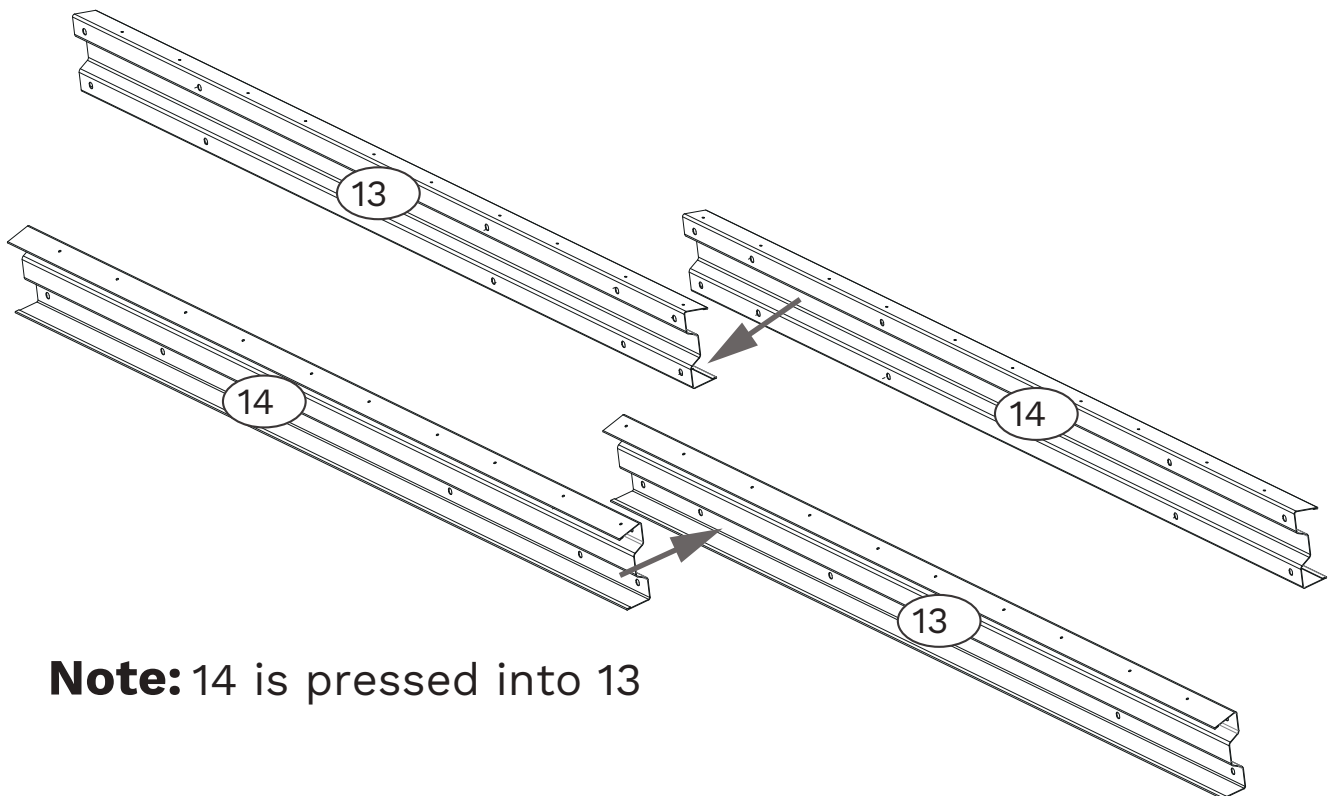




# STEP 15

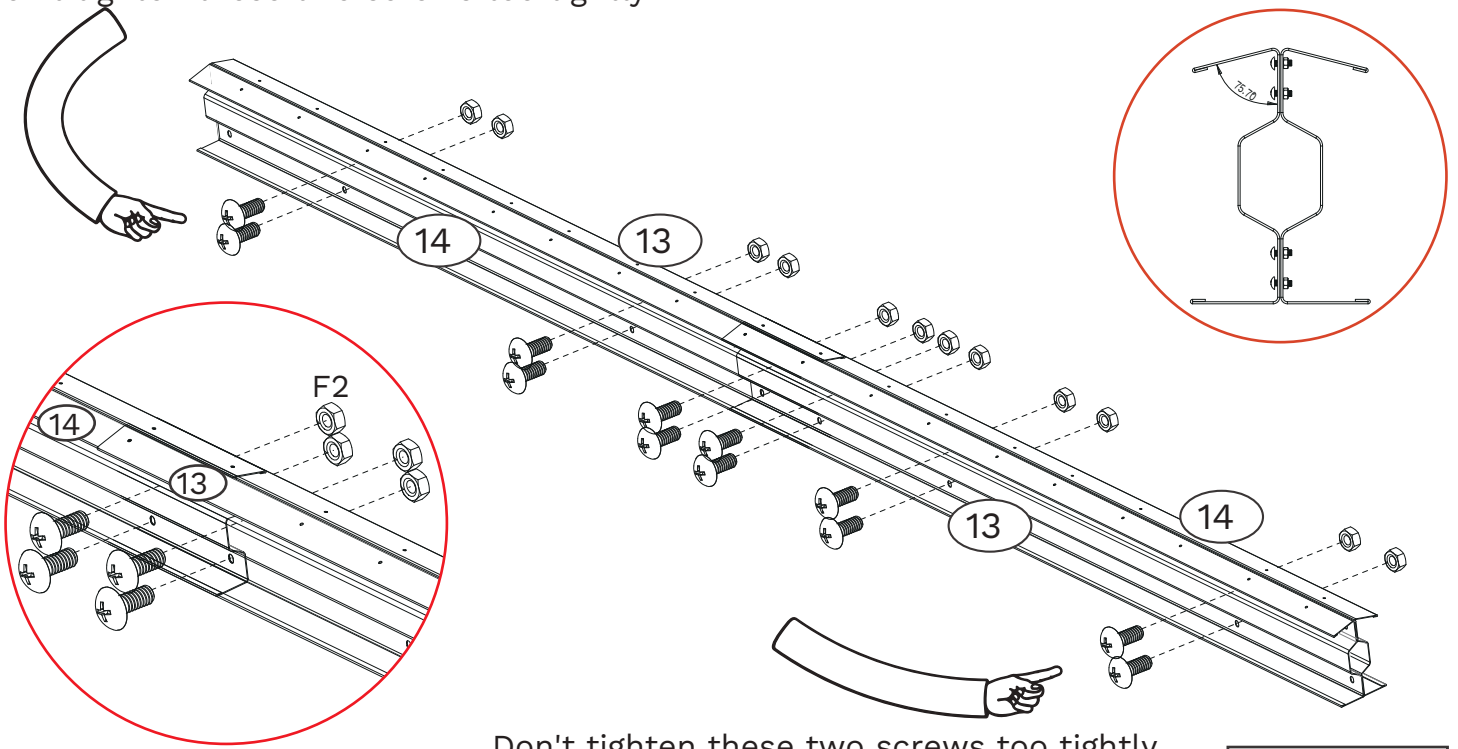


# STEP 16

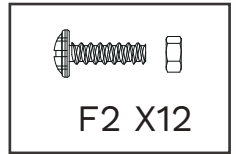


# STEP 17

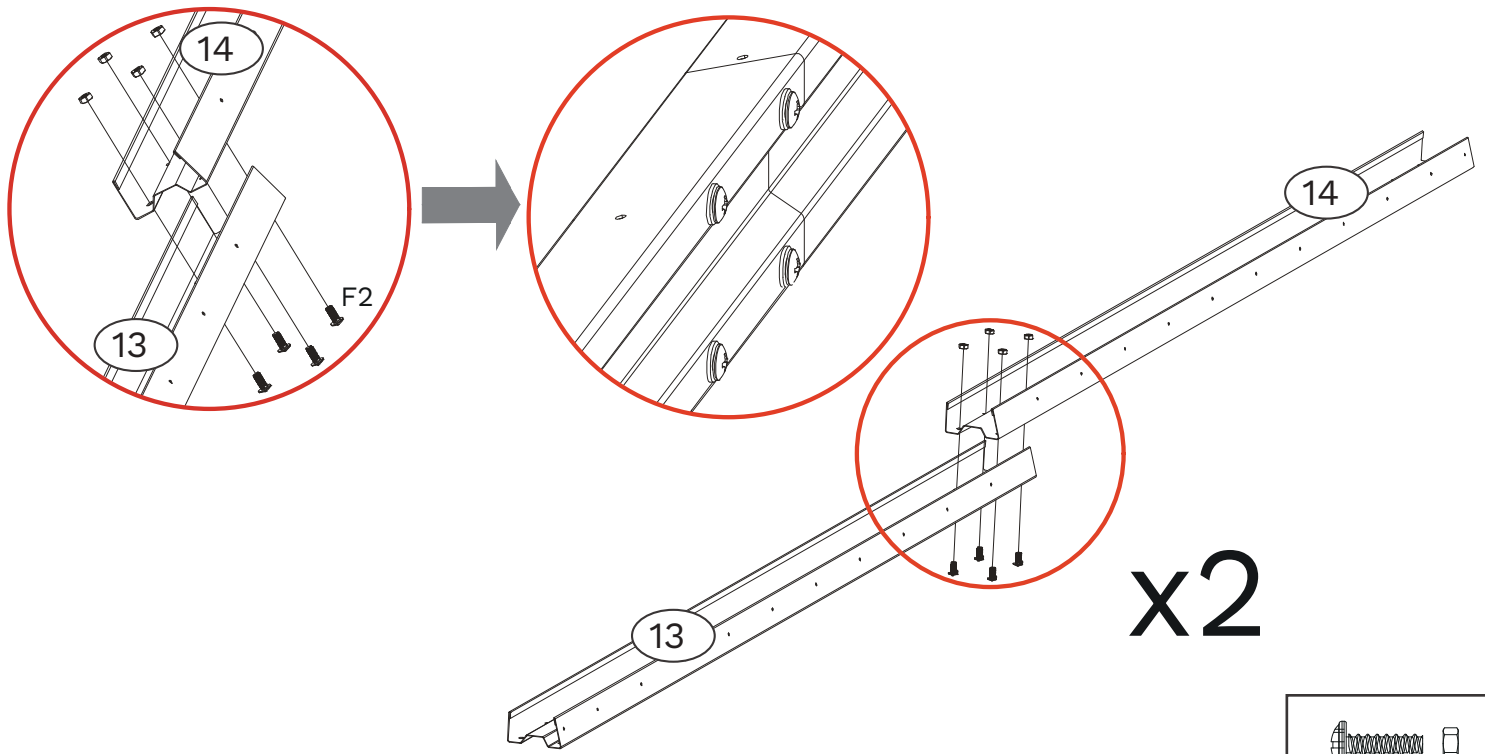
Don't tighten these two screws too tightly



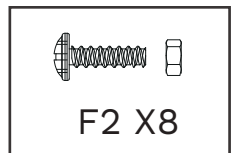
Don't tighten these two screws too tightly



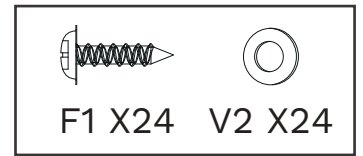
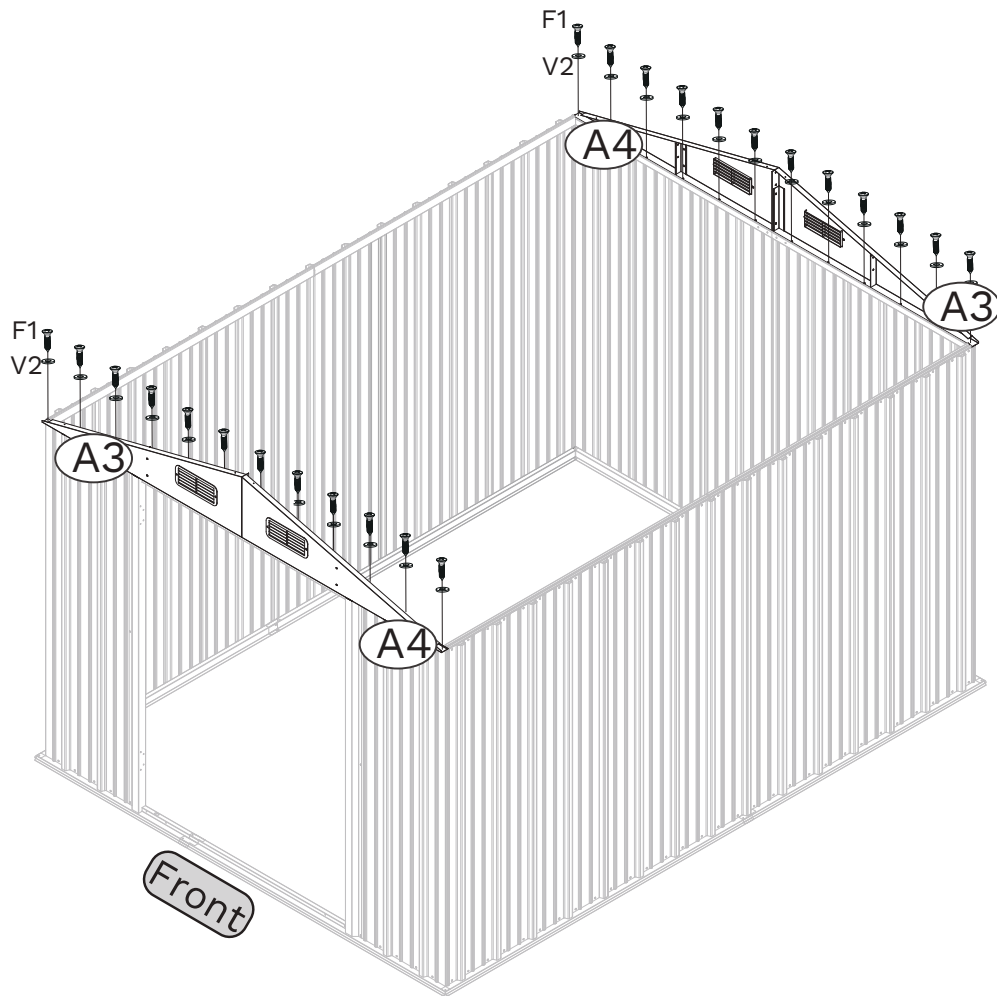
# STEP 18



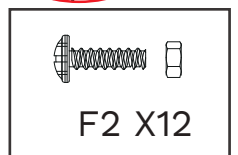
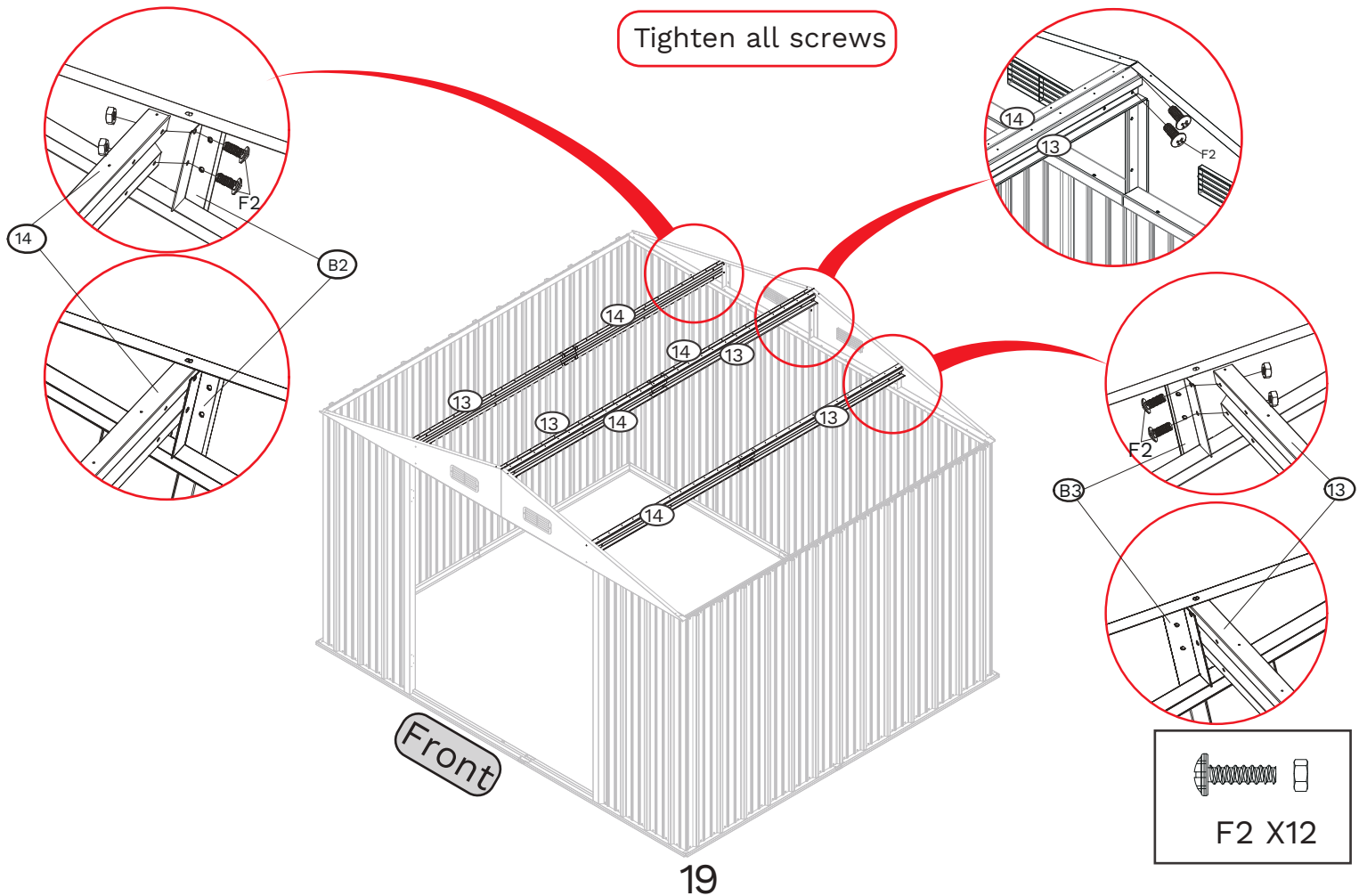
x2



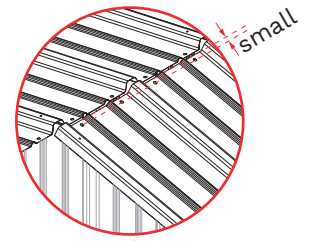
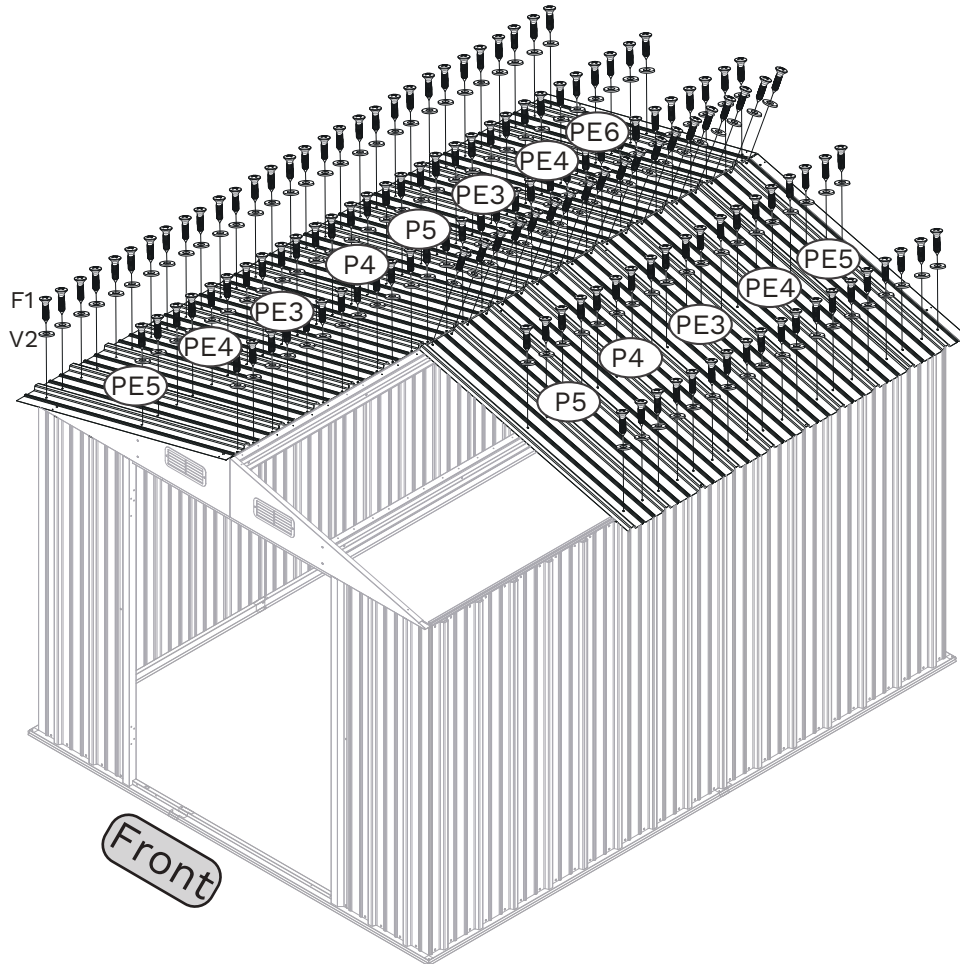
# STEP 19



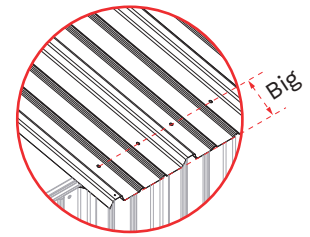
# STEP 20



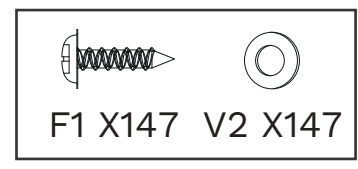
# STEP 21



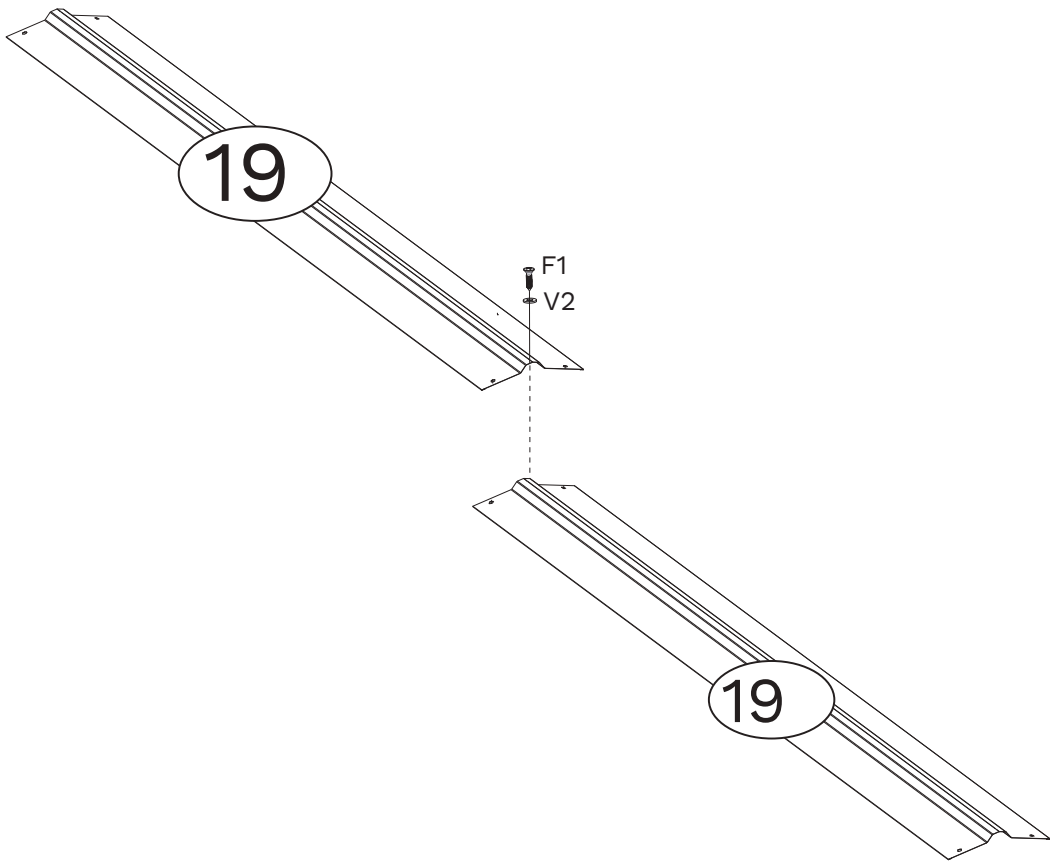
A



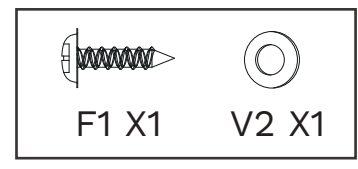
B



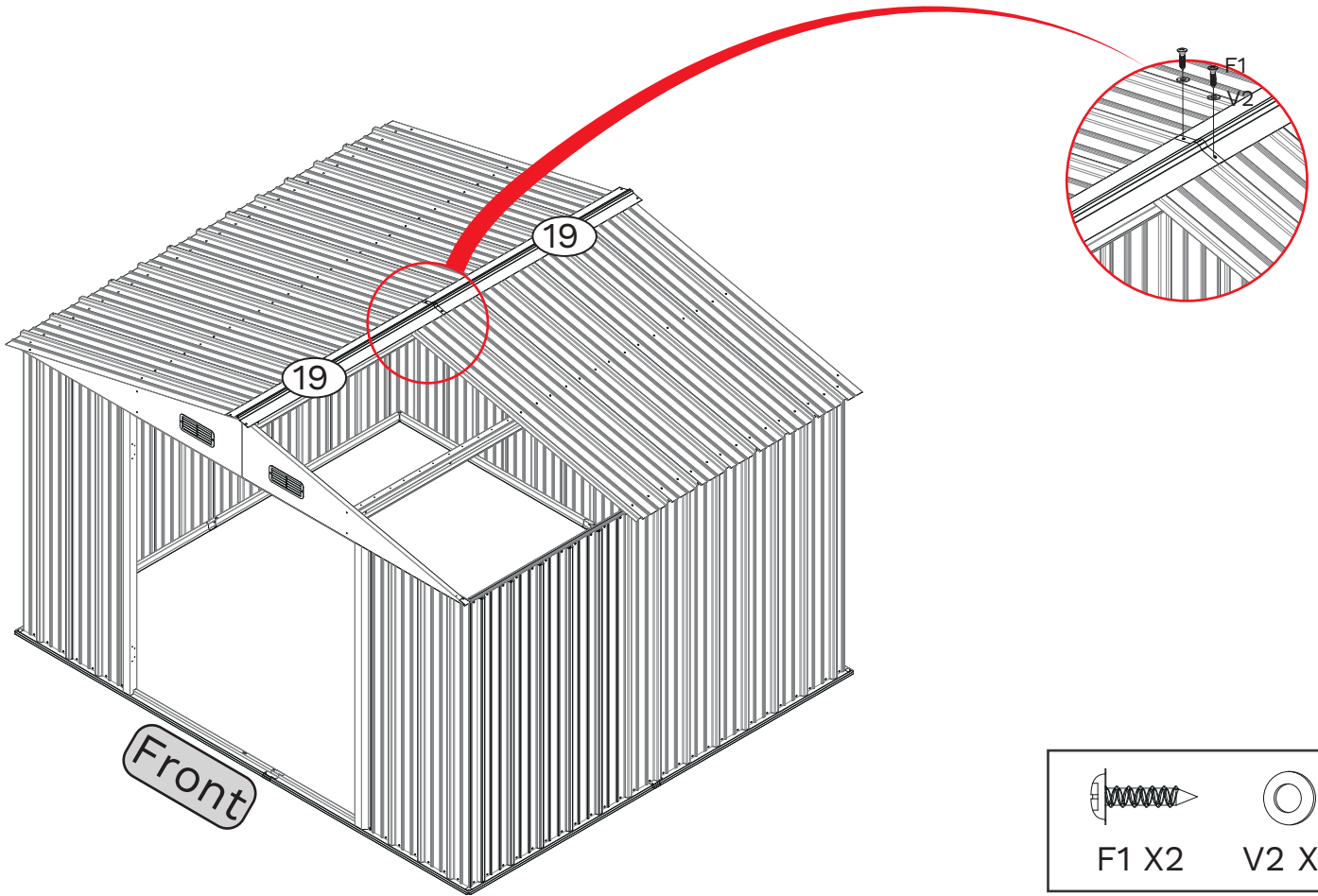
# STEP 22



20

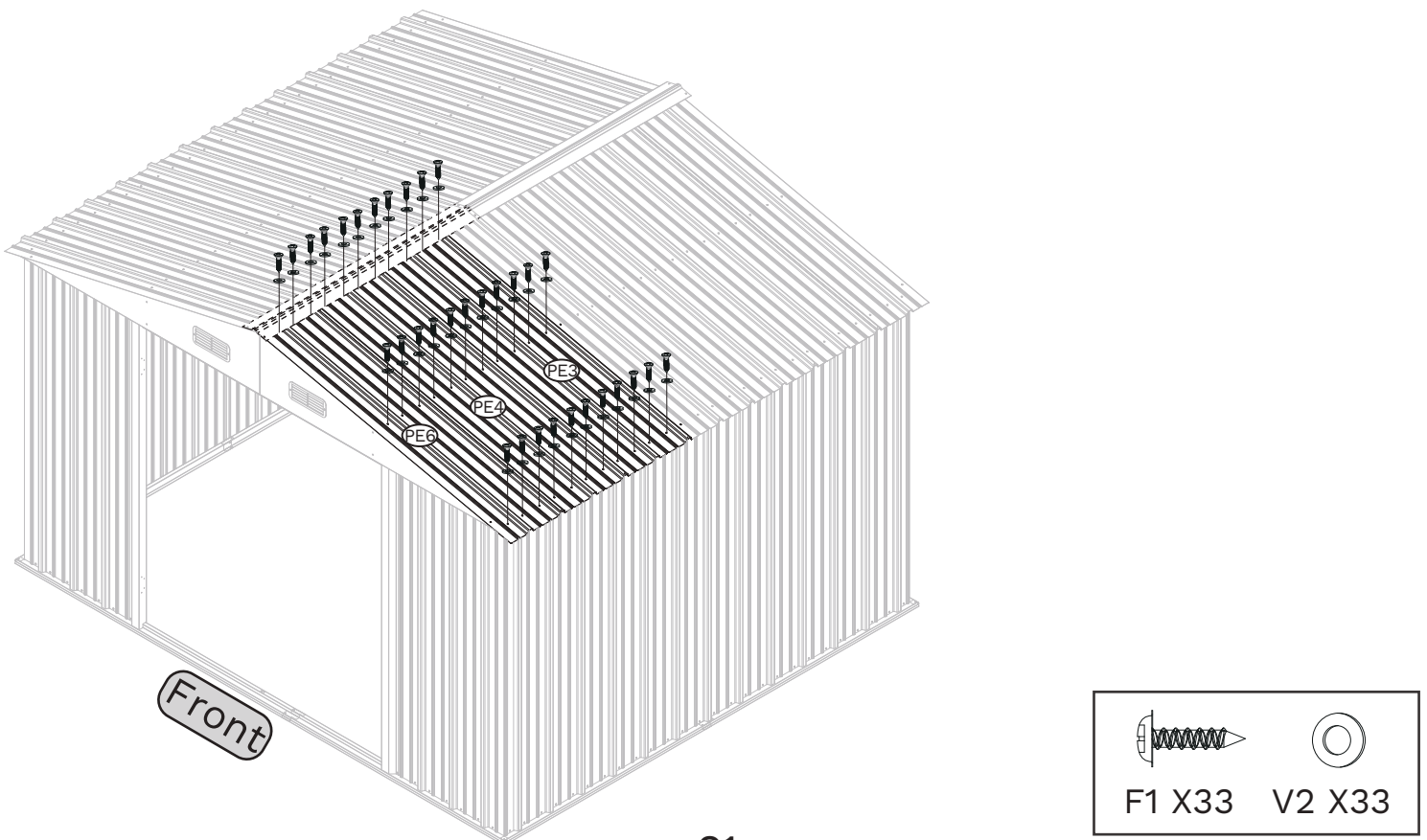


# STEP 23



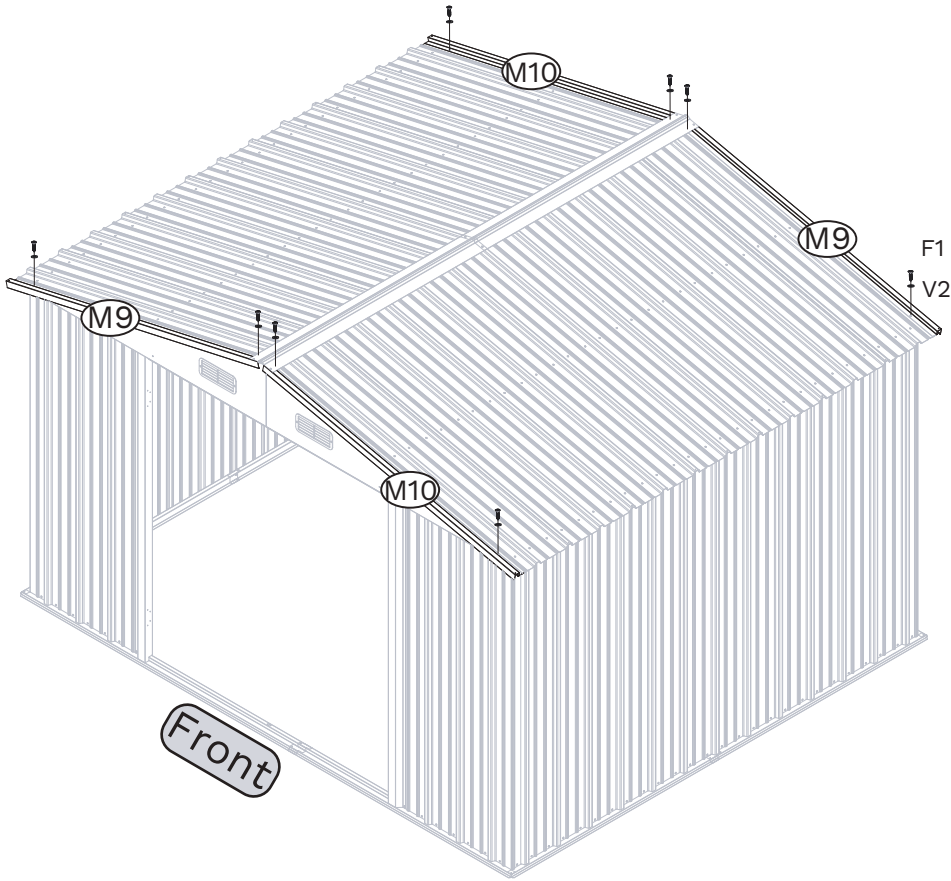
# STEP 24

**Installation tips:** You need to gently lift the 19 and then screw it.

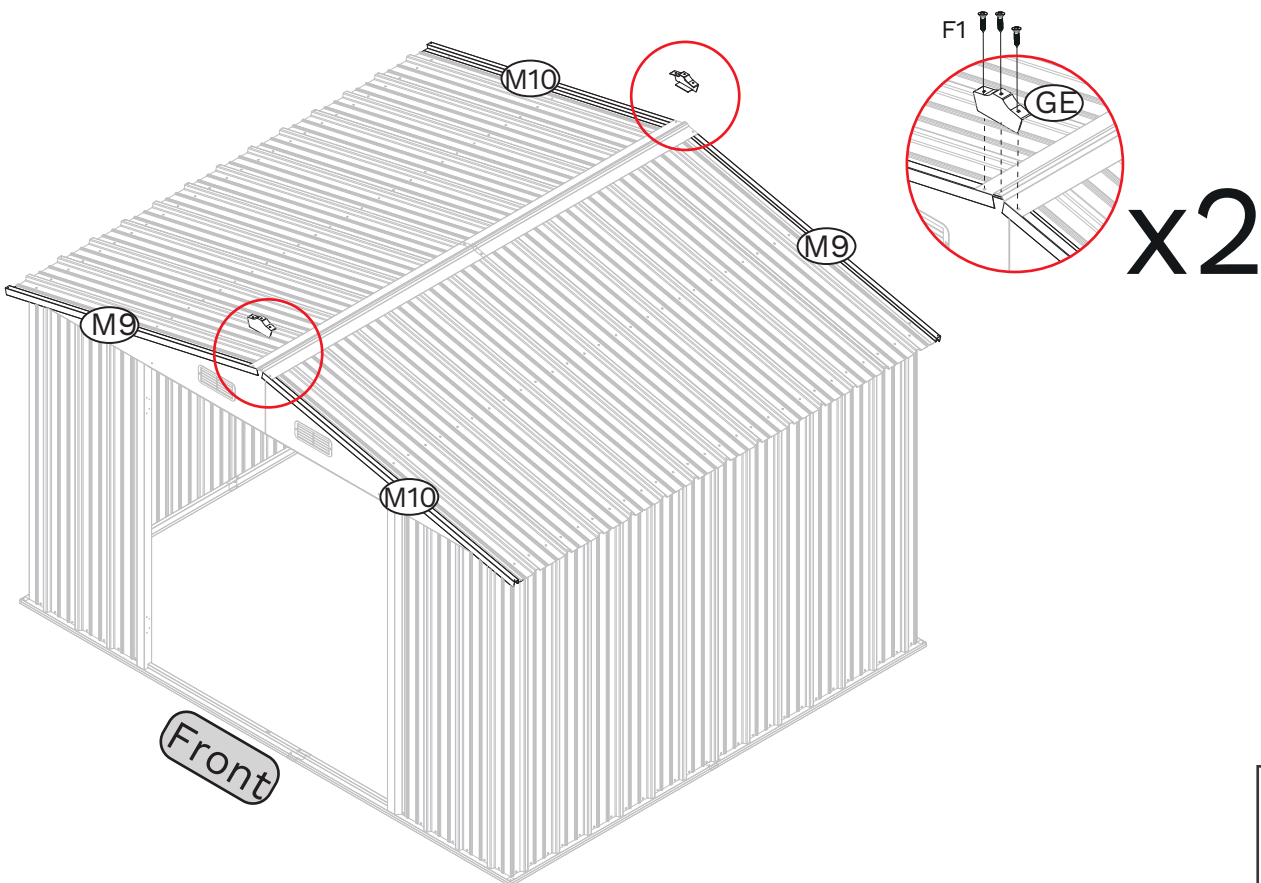


# STEP 25

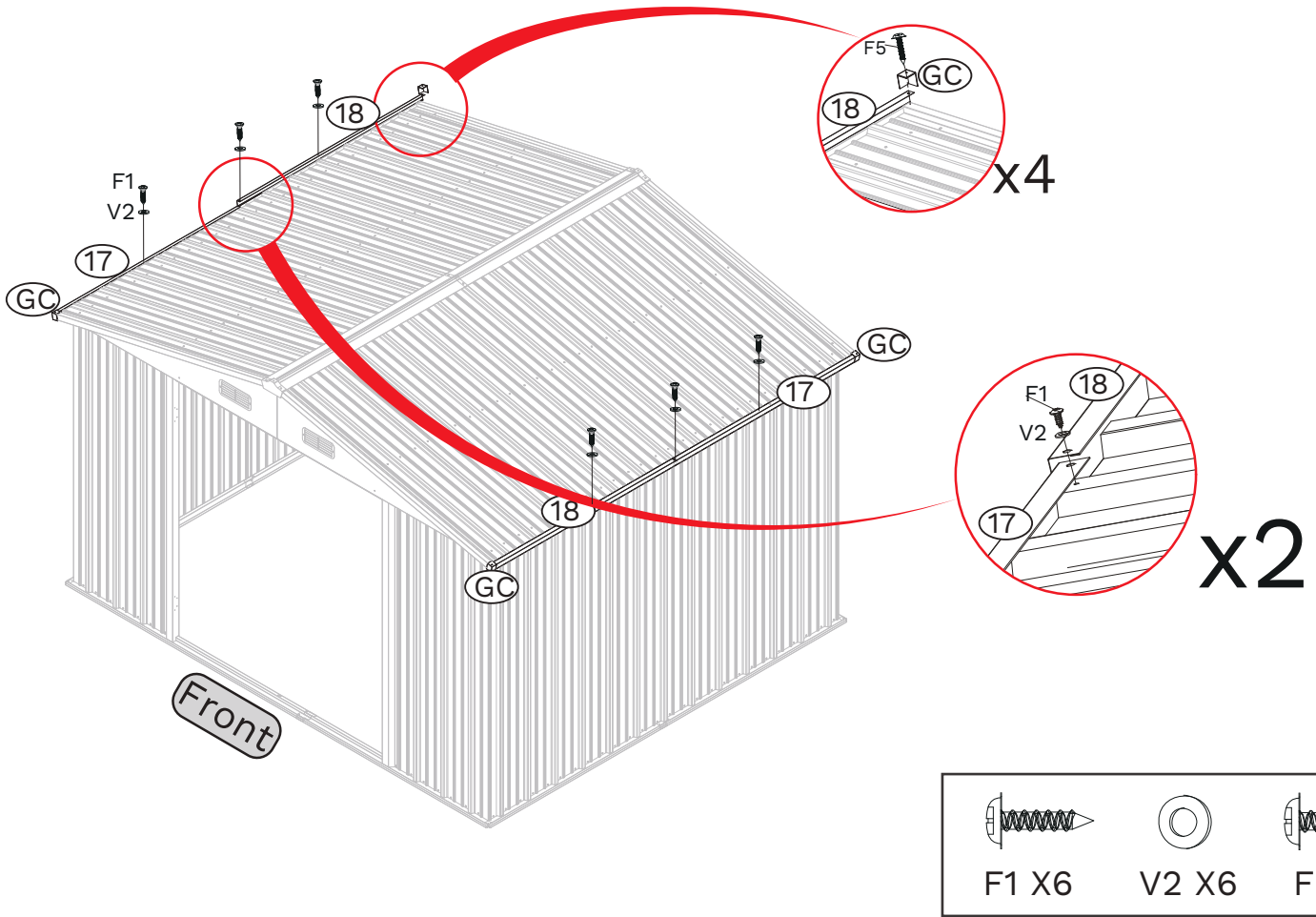
When installing the hole at the bottom of 19, 19 needs to be moved or lifted



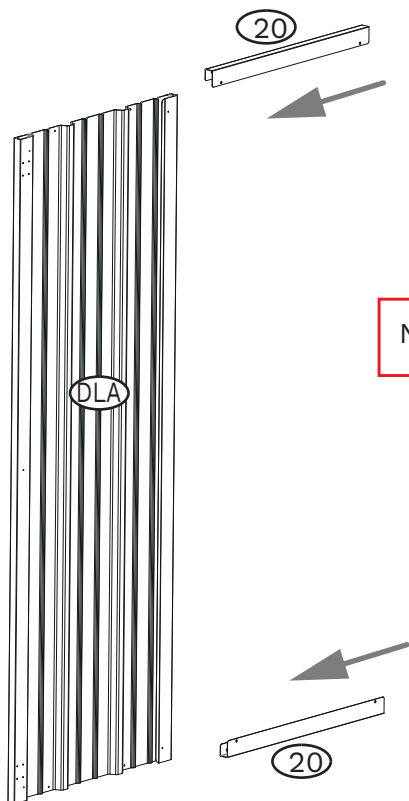
# STEP 26



# STEP 27

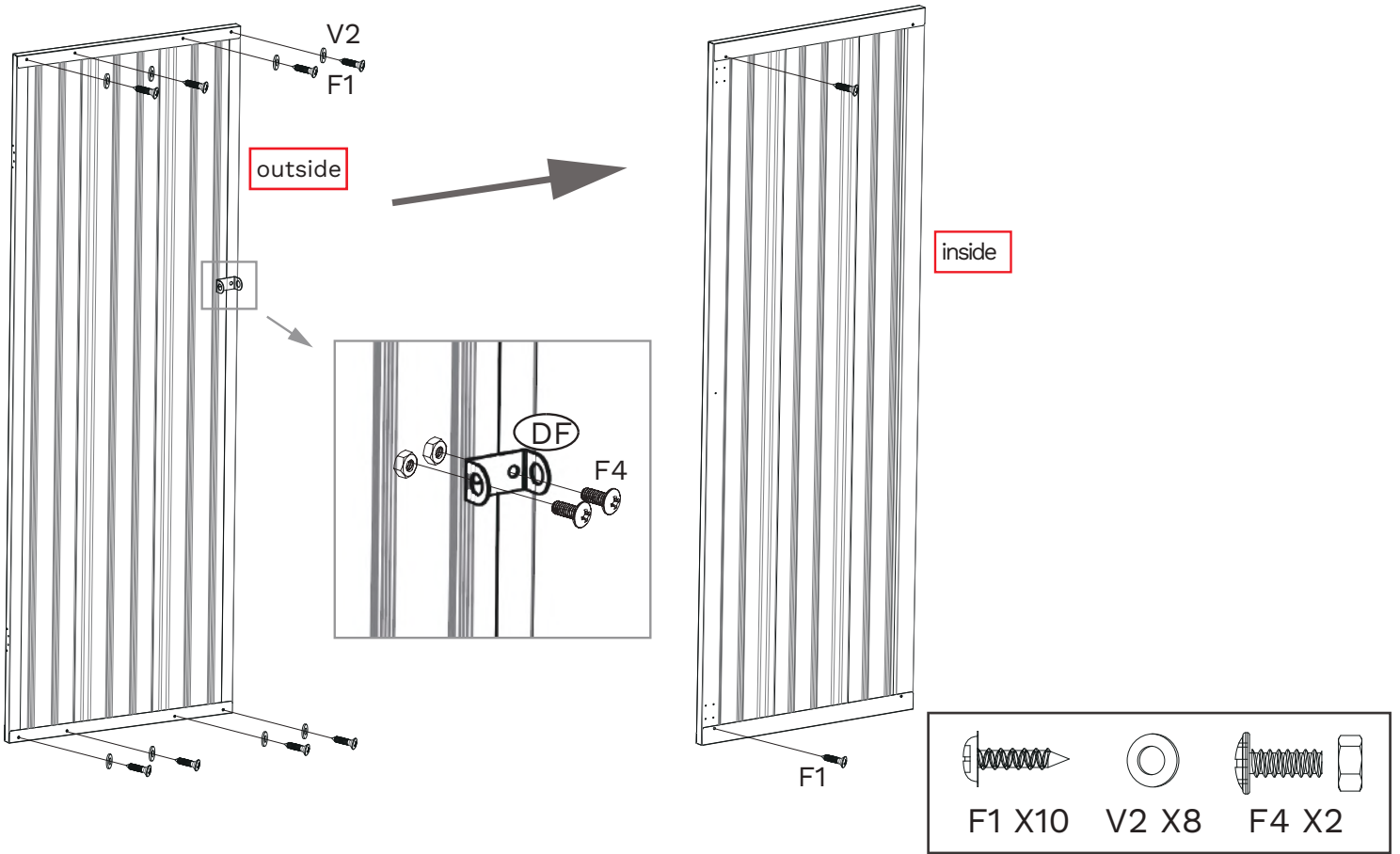


# STEP 28

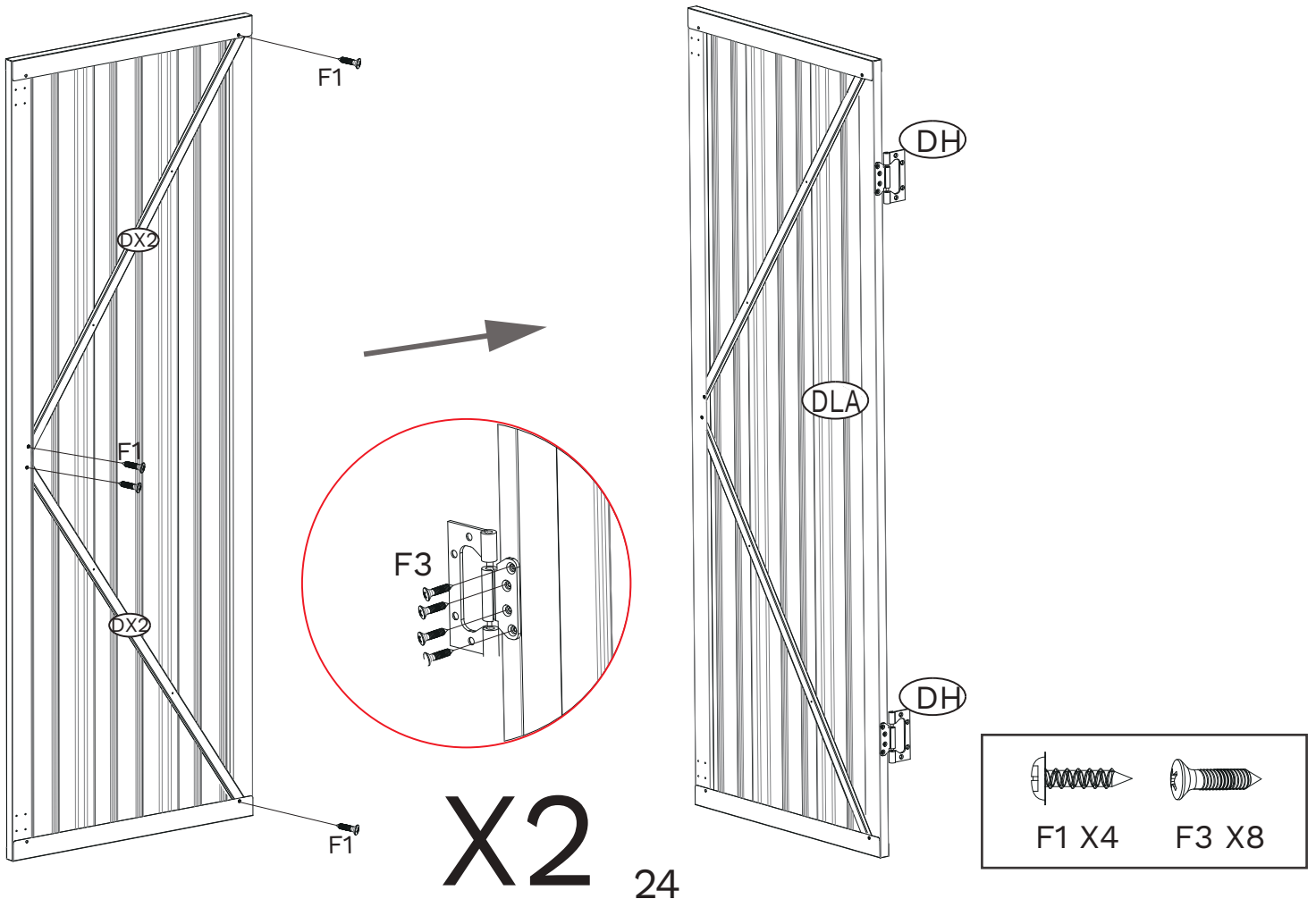


Note: make clear the front and back of the door panel

# STEP 29

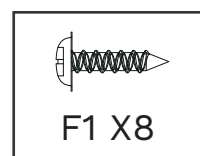
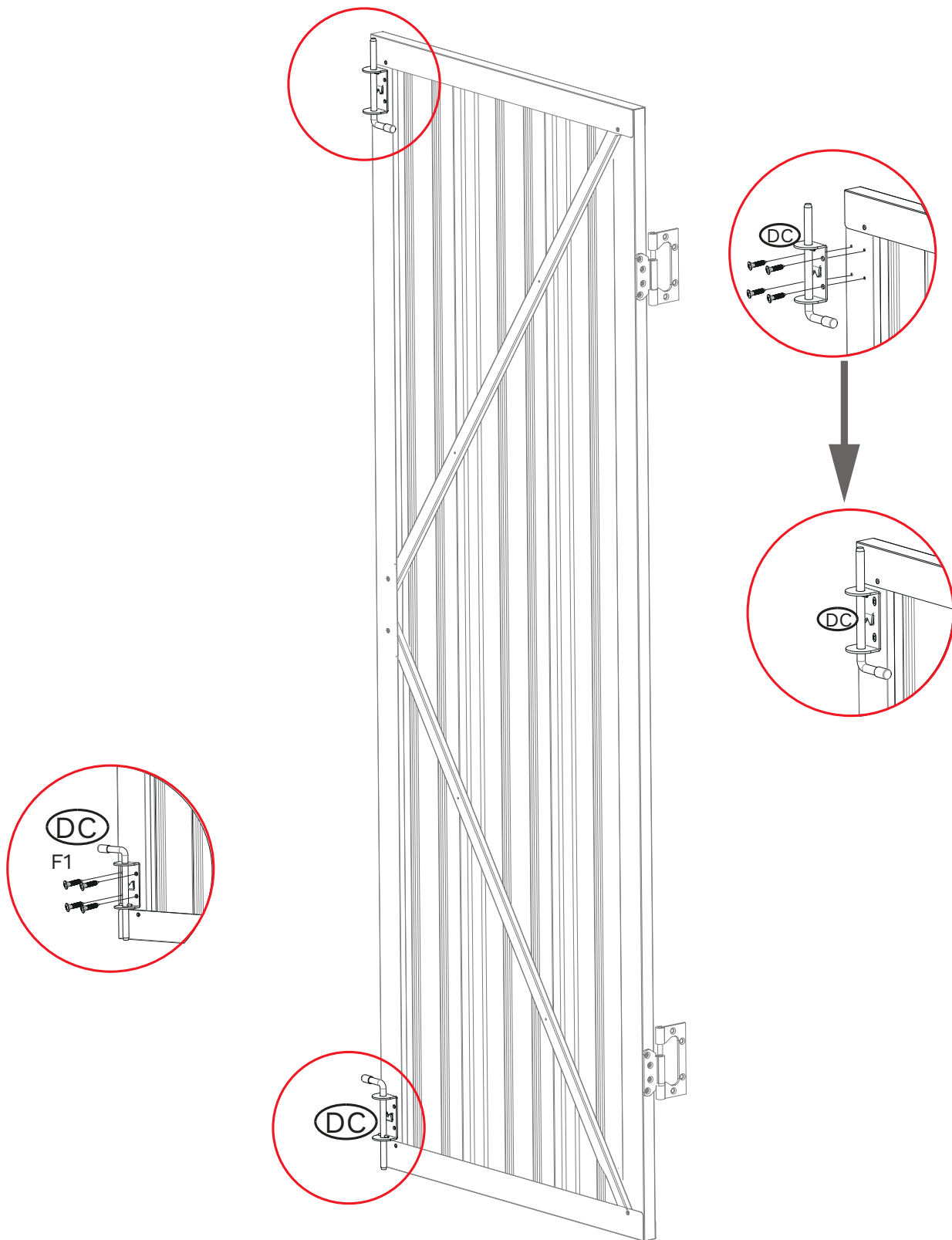


# STEP 30

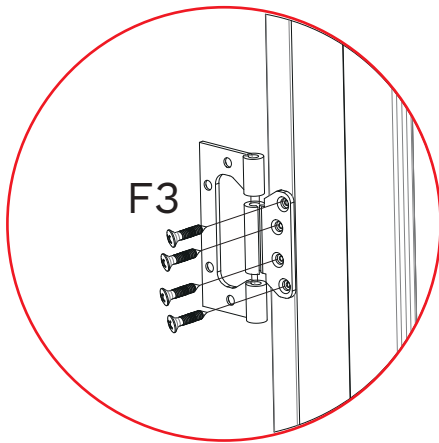




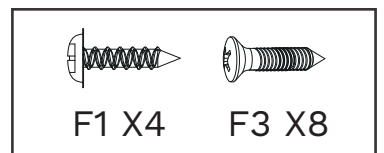
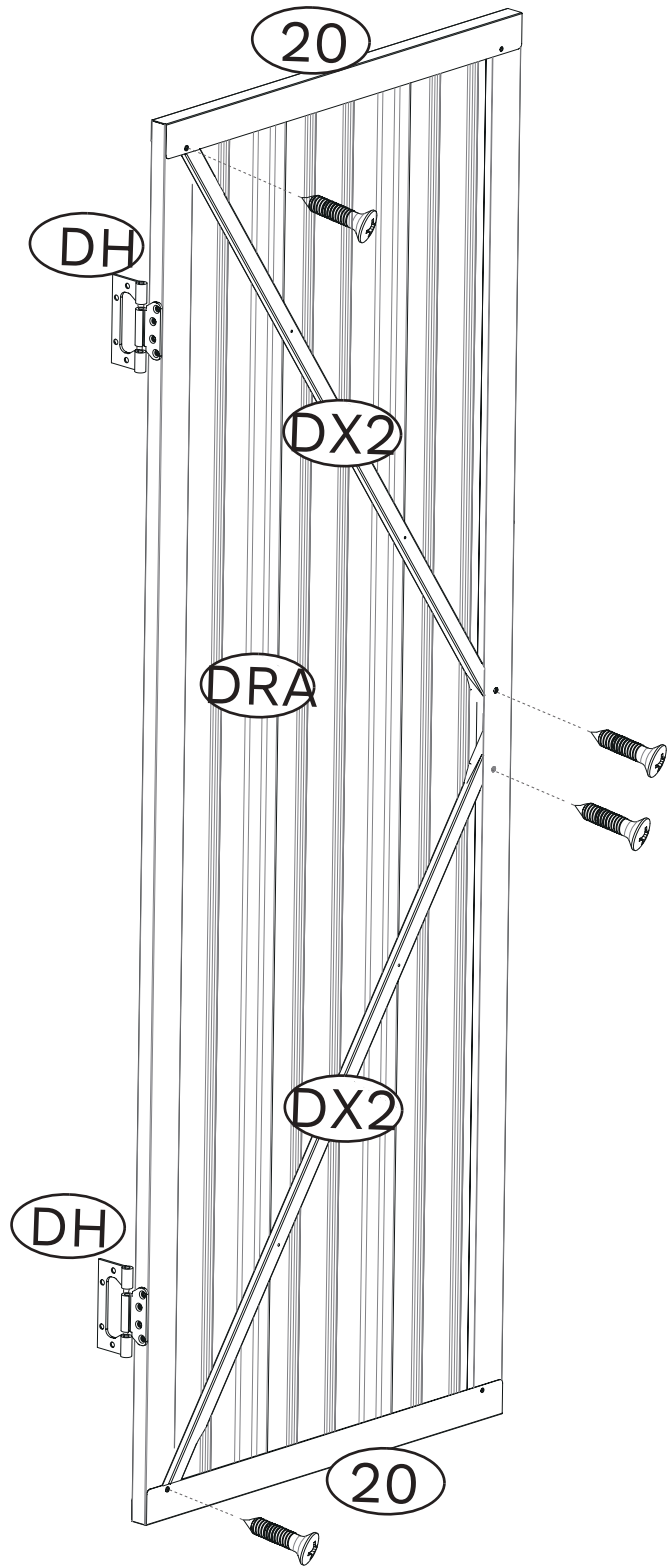
# STEP 31



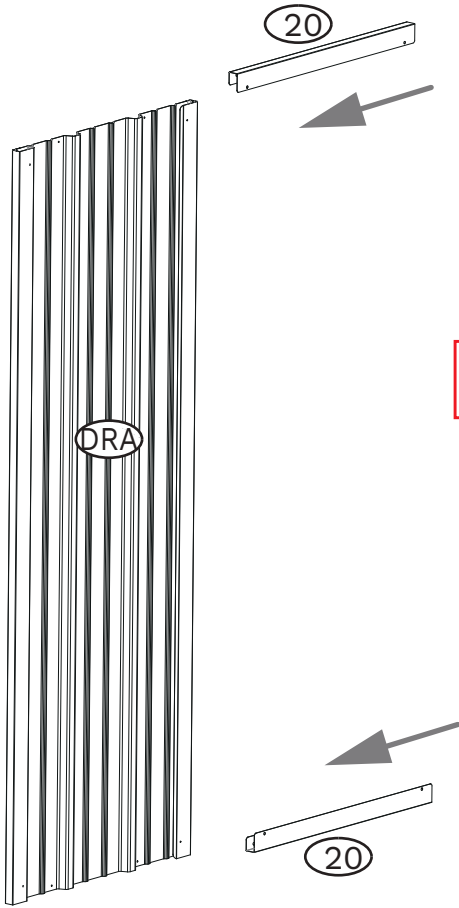
# STEP 32



X2

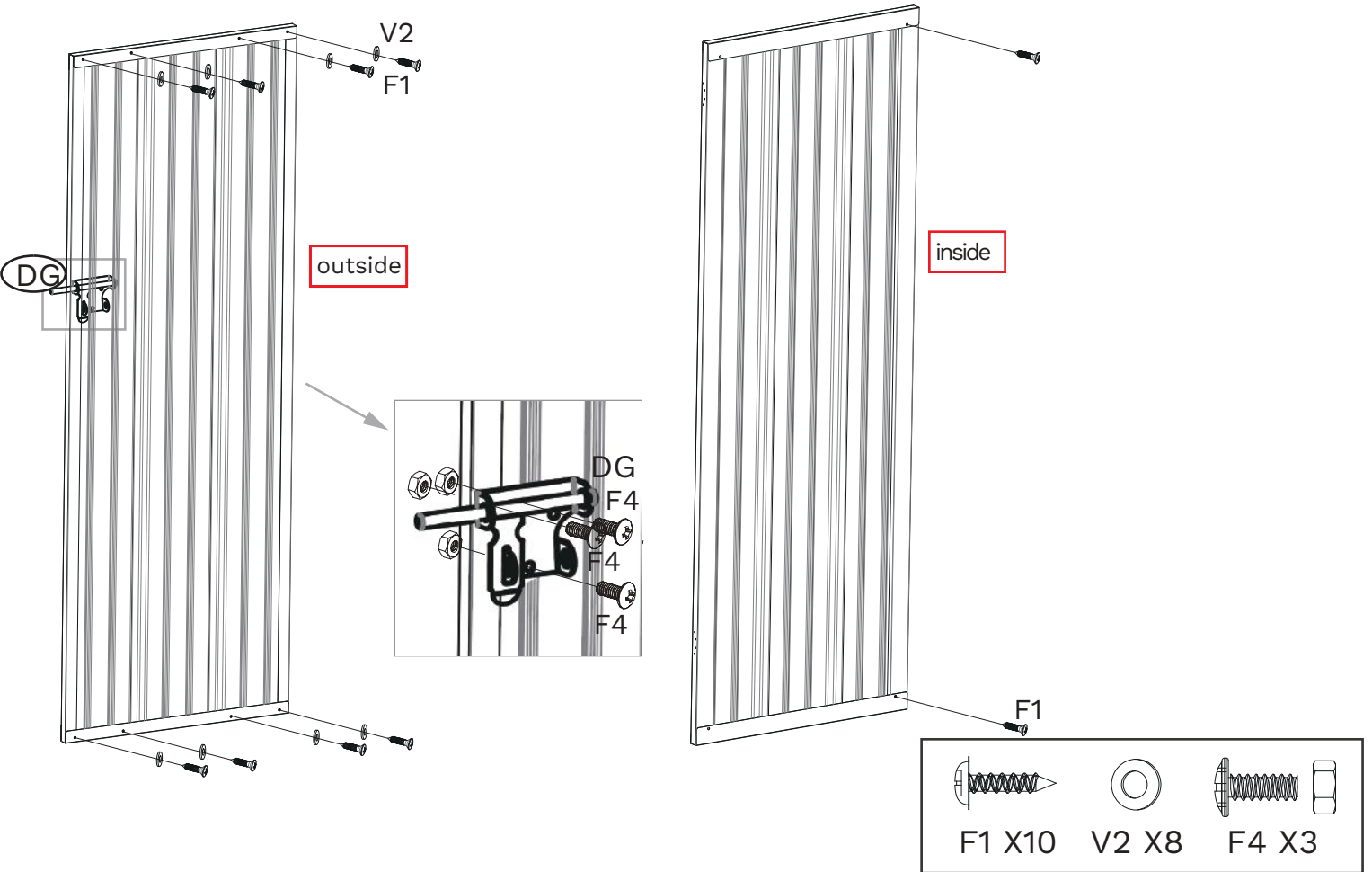


# STEP 33

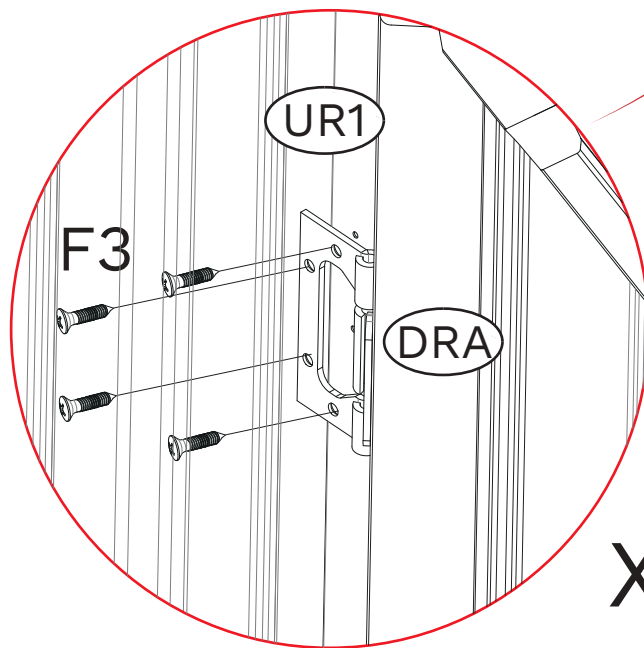
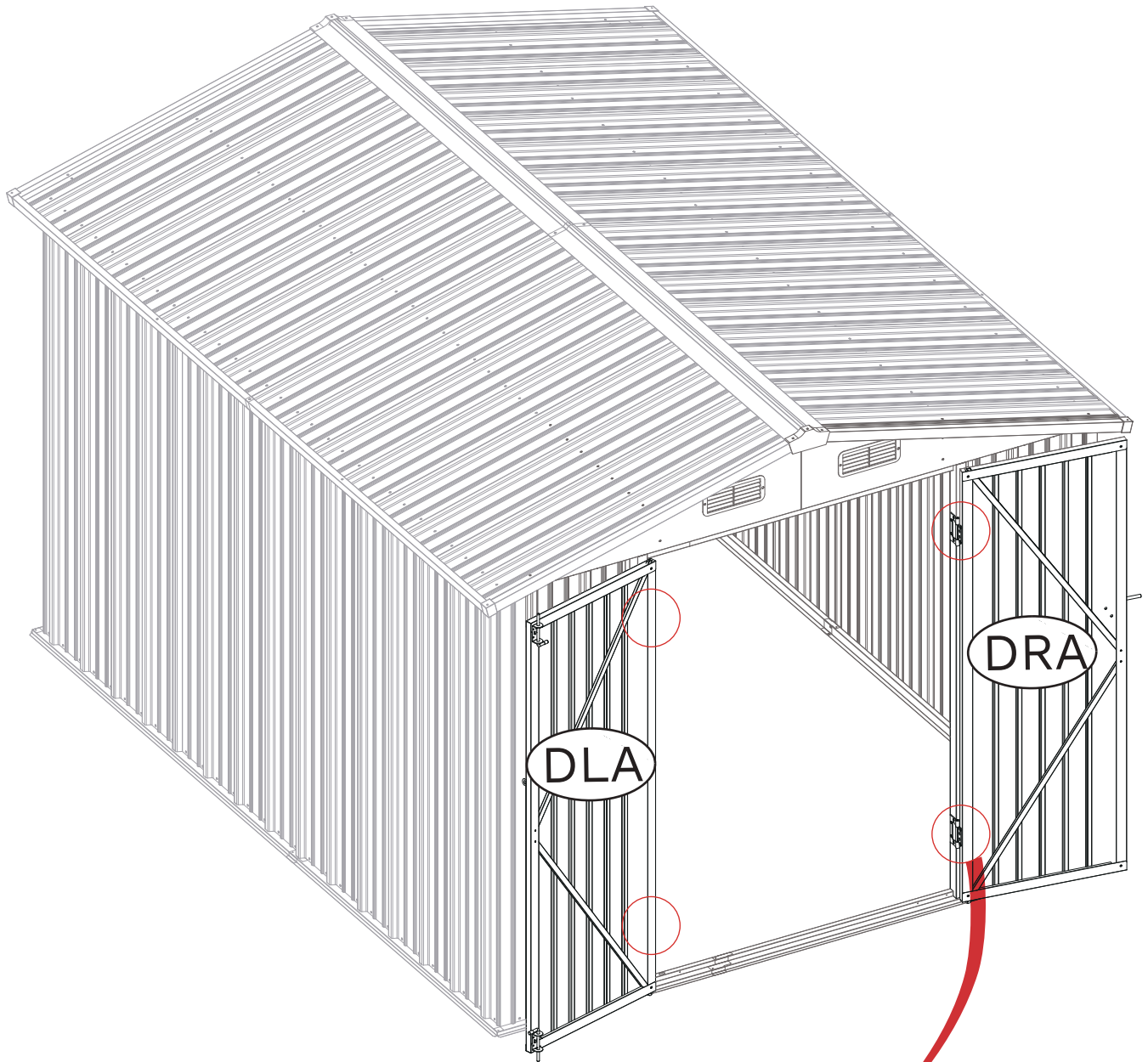


Note: make clear the front and back of the door panel

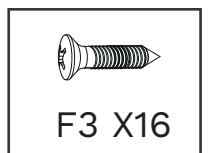
# STEP 34



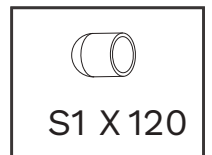
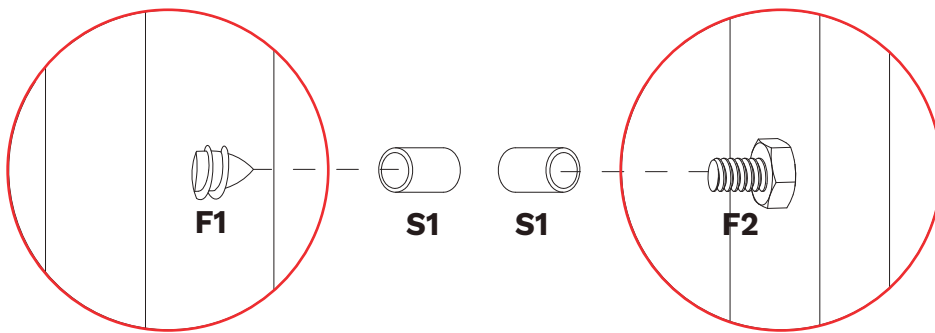
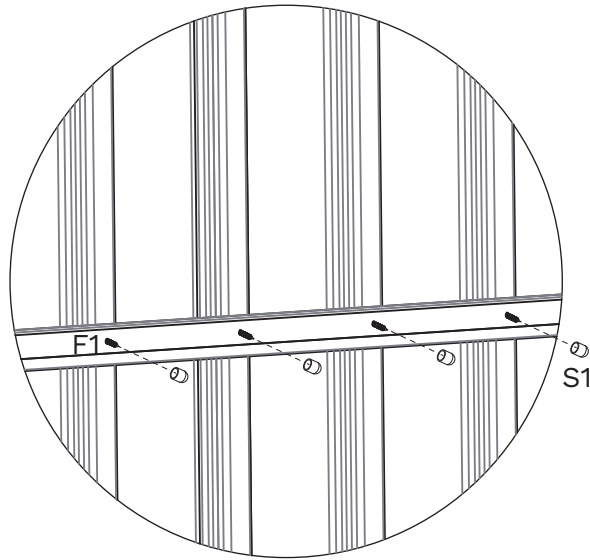
# STEP 35



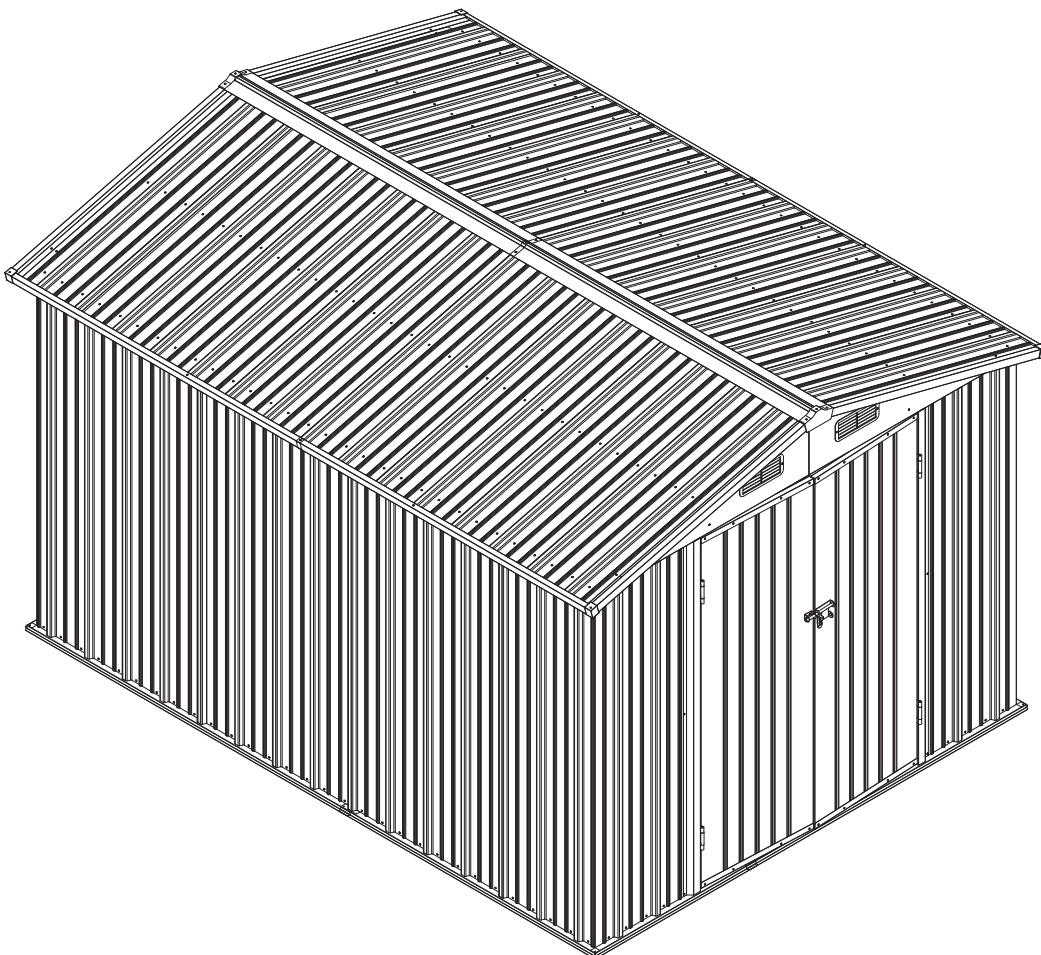
X4



# STEP 36



# FINISH



## CARE & SAFETY

- In case of fire, do not attempt to extinguish any burning polypropylene with water
- Unsuitable for storage of flammable or corrosive substances.
- It is of utmost importance to assemble all of the parts according to the directions. Do not skip any step.
- Please consult your local authorities if any permits are required to erect shed.
- Periodically check shed to assure that it remains stable and that the site remains level.
- It is highly recommended to secure the shed to an immovable object or to the ground by drilling holes in the floor at the pre-marked locations and inserting proper screws into the ground (size: 1.9"-3" ,screws are not included).
- Wear safety-goggles and always follow the manufacturer's instructions when using power tools.
- Wash shed with garden hose or a mild detergent solution. Using a stiff brush or abrasive cleaner could damage shed.
- Hot items such as recently used grills, blowtorches, etc. must not be stored in the shed.
- Heavy articles should not be leaned against the walls, as this may cause distortion.
- Keep roof clean of snow and leaves. Heavy amounts of snow on roof can damage the shed making it unsafe to enter.
- Although wind direction varies, it is an important factor when taking into account where to place your shed. Therefore, it is recommended to reduce wind exposure of the shed in general, and the door side in particular.
- Keep doors closed and locked to prevent wind damage.
- Do not stand on the roof.