

ASSEMBLY INSTRUCTIONS

RESIN GARDEN SHED

SKU: T-PS24-0436A

BE
YOUR
LIFE BUILDER

www.patiowell.com



Patiowell
Resin Garden House
Installation Tutorial
[https://www.patiowell.com/
pages/video-T-PS24-0436A](https://www.patiowell.com/pages/video-T-PS24-0436A)

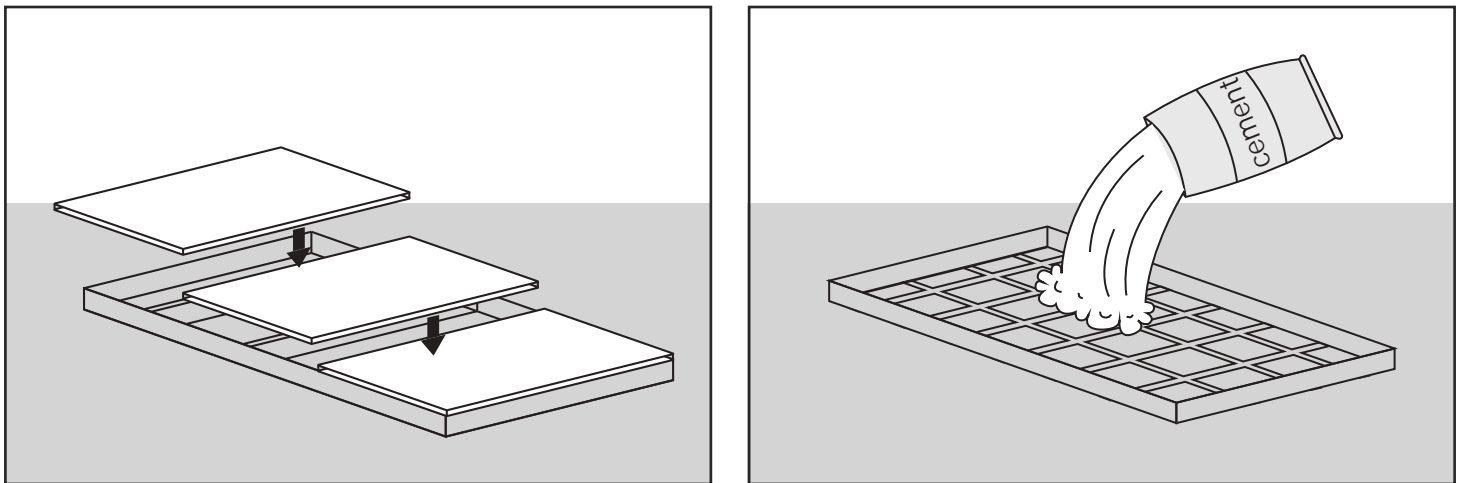
 saleservice@patiowell.com

SITE PREPARATION

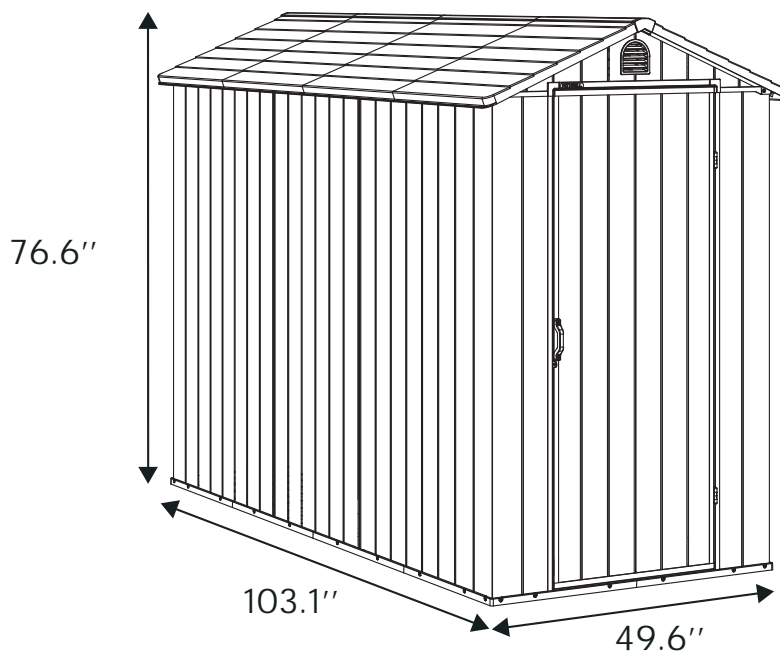
Level the ground surface.



Recommendation: Construct a wooden or concrete base as a foundation.



The external dimensions of the product :



BEFORE STARTING ASSEMBLY

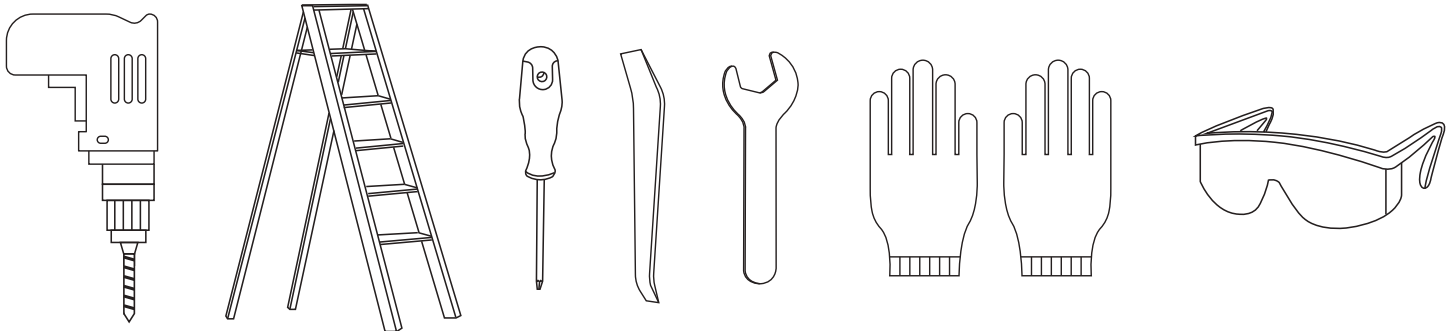
Remove all of the pieces from the 2 packages and spread them out on the ground. Before installation, please check the type and quantity of parts first.

It is recommended to use a clean work surface to spread the parts out and for pre-assembly steps. Review all instructions before you begin, continue to refer to instructions during assembly.

Be sure to follow all steps thoroughly.

Please prepare these components in advance at the beginning of each stage.

REQUIRED TOOLS



CAUTION

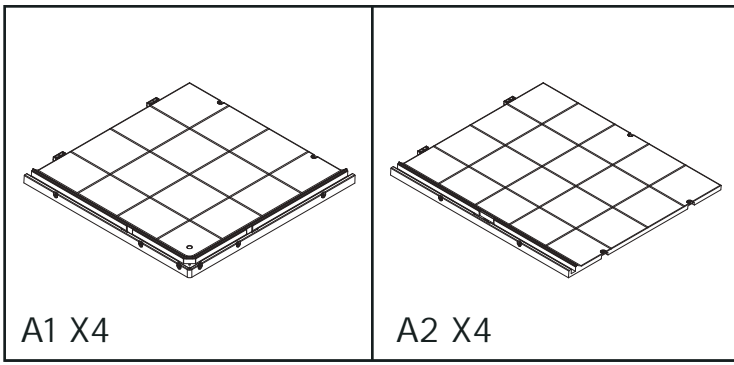
Some parts have steel edges. Please be careful when handling components. Always wear work gloves, eye protection and long sleeves when assembling or performing any maintenance on your shed. Do not attempt assembly on days with strong winds or low temperatures.



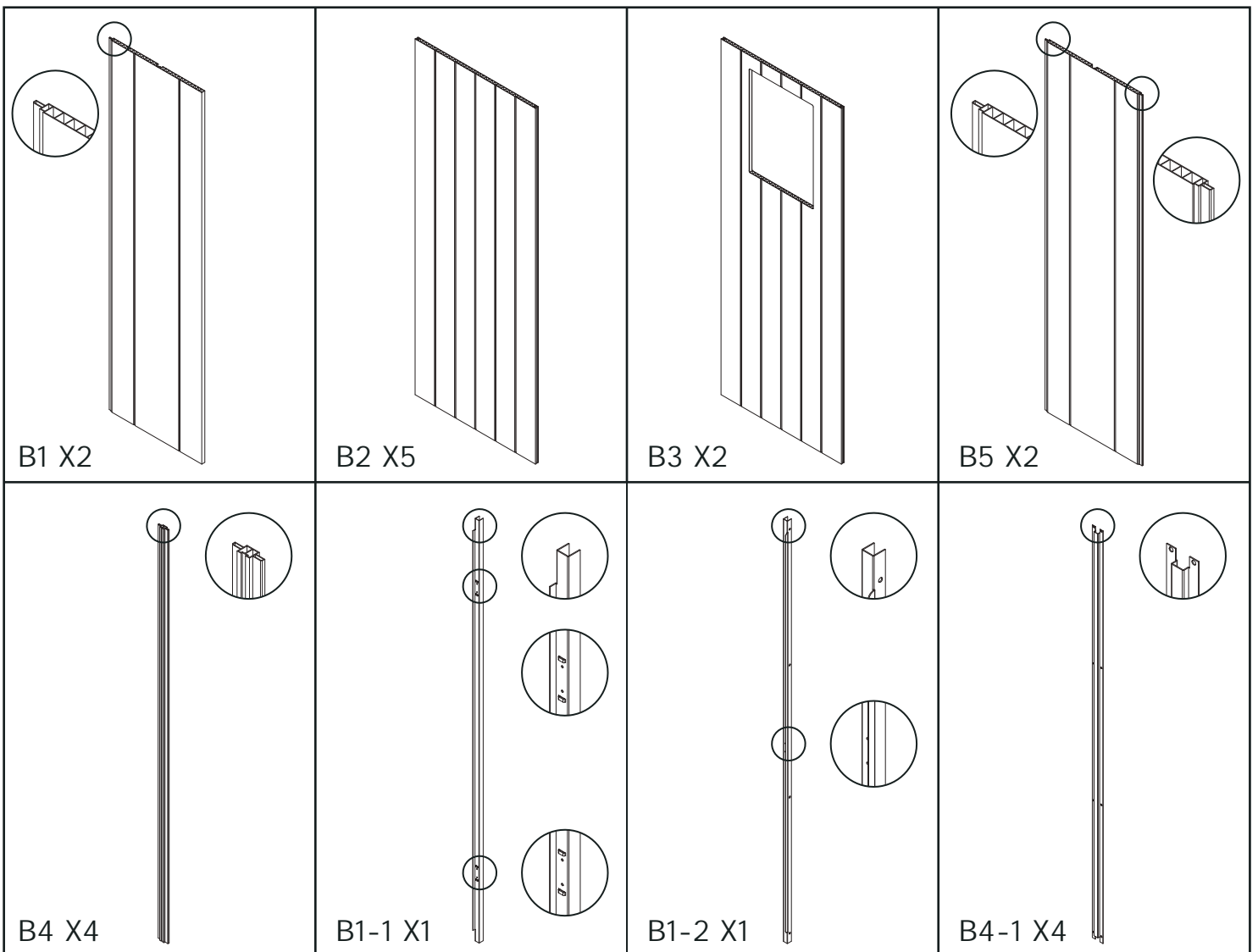
Requires two people and takes 2-3 hours for Installation. Recommended to wear gloves to avoid scratches. Please read the manual carefully before installation.

DO NOT RETURN YOUR UNIT
TO THE STORE
Contact us first
saleservice@patiowell.com

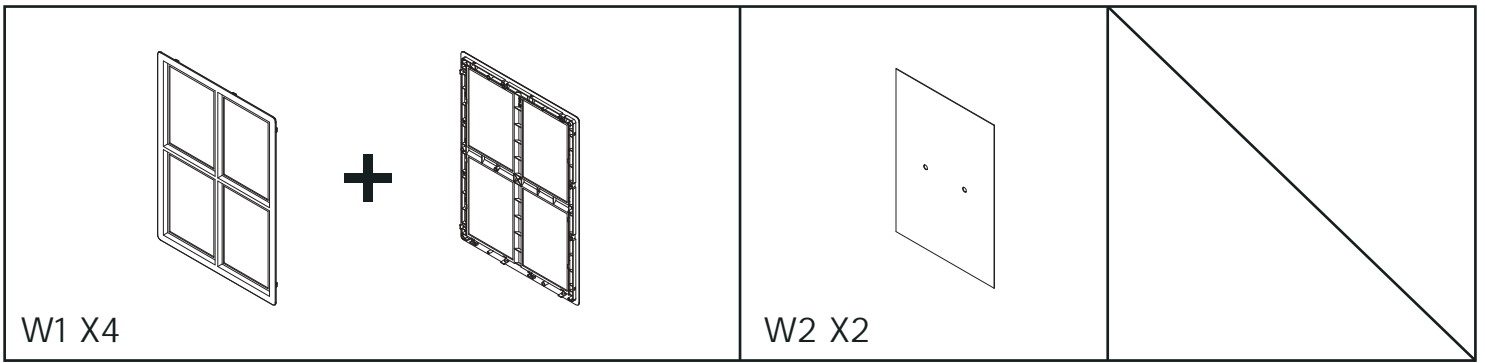
FLOOR PARTS



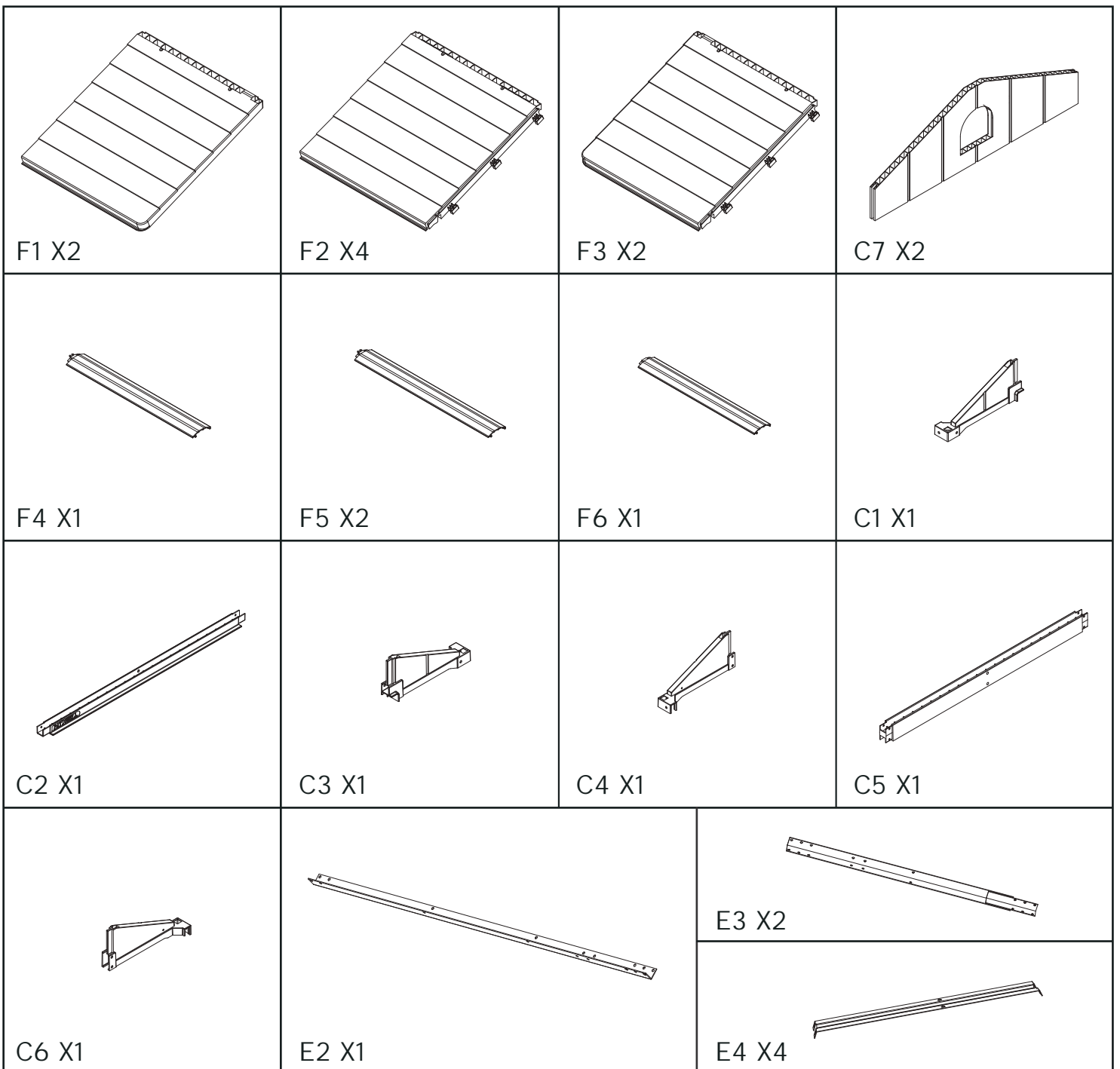
WALL PARTS



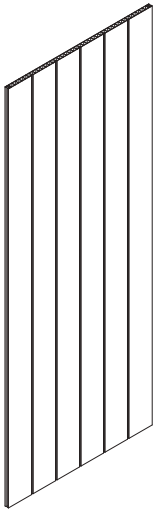



WINDOW PARTS



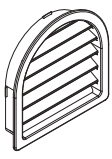


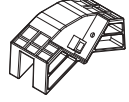

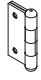
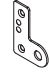


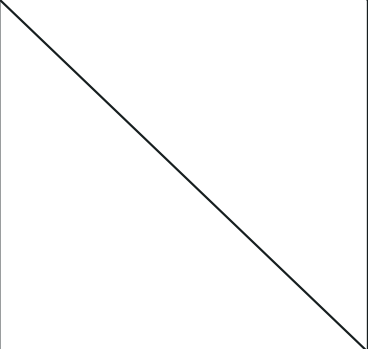
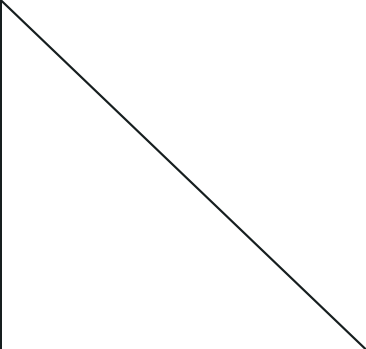
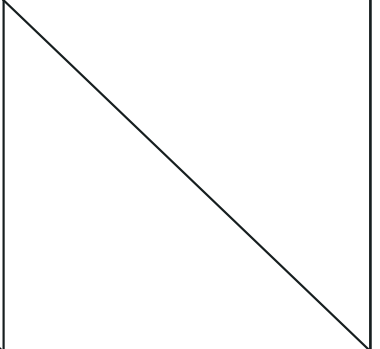
ROOF PARTS



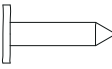


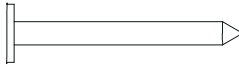





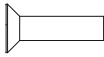


DOOR PARTS

 <p>D1 X1</p>	 <p>D1-4 X1</p>	 <p>D1-1 X1</p>	 <p>D1-2 X2</p>
--	--	--	--

ACCESSORIES

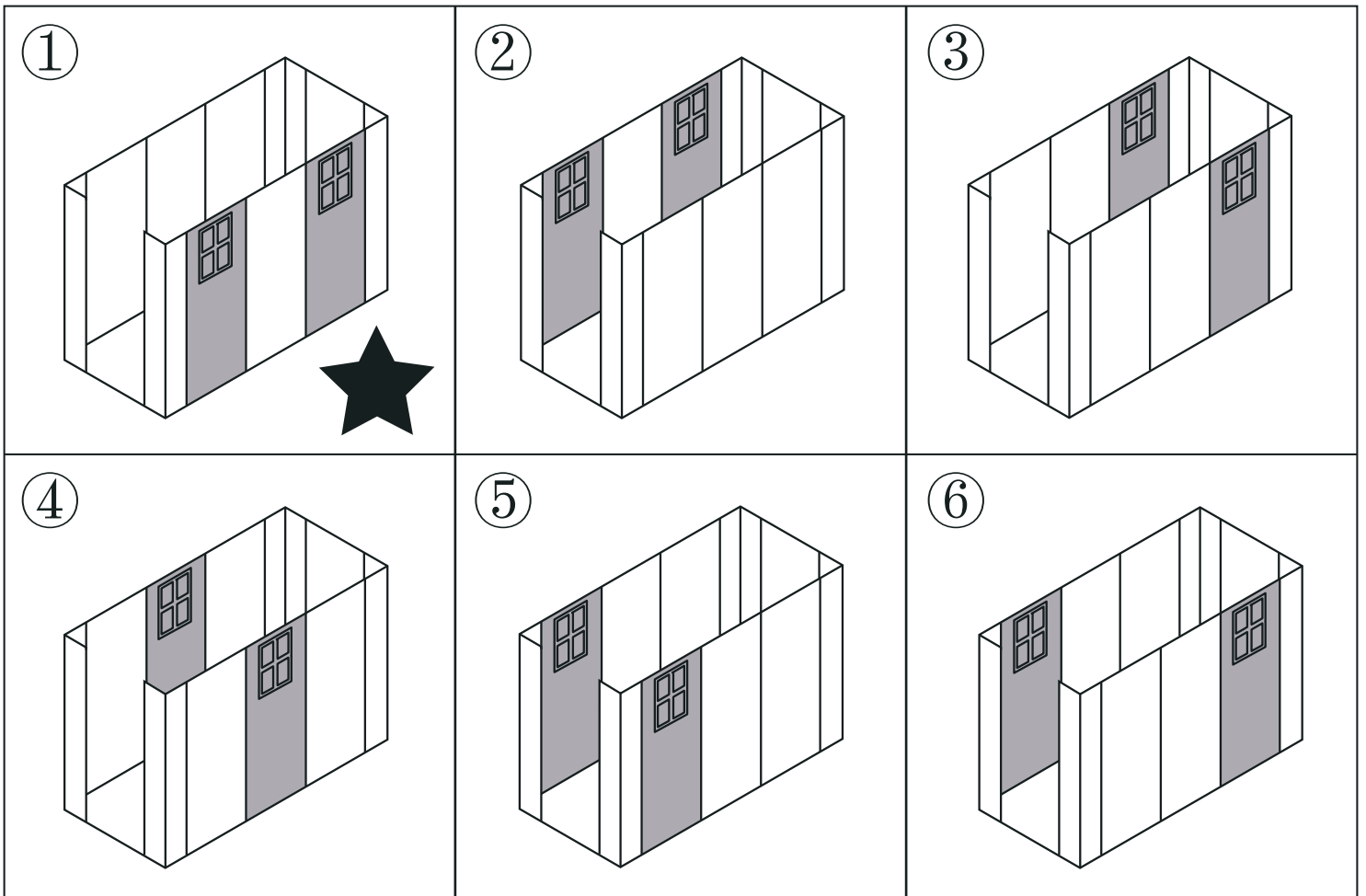
 <p>C7-1 X2</p>	 <p>F4-1 X1</p>	 <p>F4-2 X1</p>	 <p>E1 X2</p>
 <p>D1-3 X1</p>	 <p>D1-1-2 X2</p>	 <p>D1-2-1 X1</p>	 <p>B1-2-1 X1</p>
 <p>A1-1 X4</p>			

SCREW

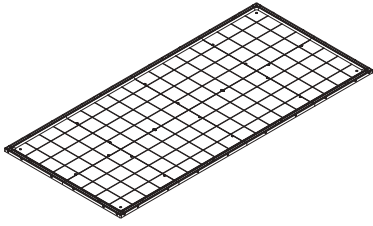
 179+2 pcs SC5x14 M5*14	 	 54+2 pcs SC5x30 M5*30	 
 12+2 pcs SC4x30 M4*30	 	 8+2 pcs SC5x12 M5*12	 

CHOOSE THE LOCATION OF THE WINDOW

Multiple methods exist for installing wall panels with windows, with our instructions detailing the first method of installation.(as shown in the picture)

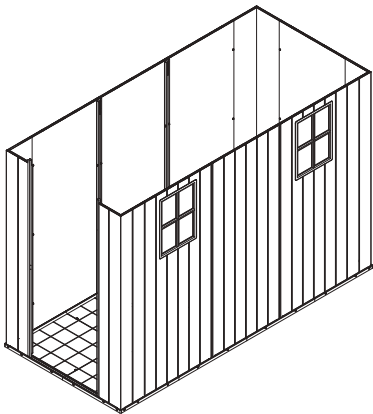


CONTENTS



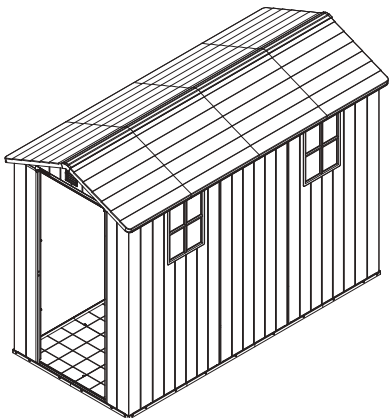
Floor Part Instruction

09-13
(page)



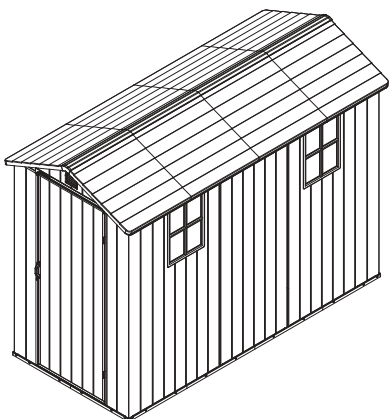
Wall Part Instruction

13-22
(page)



Roof Part Instruction

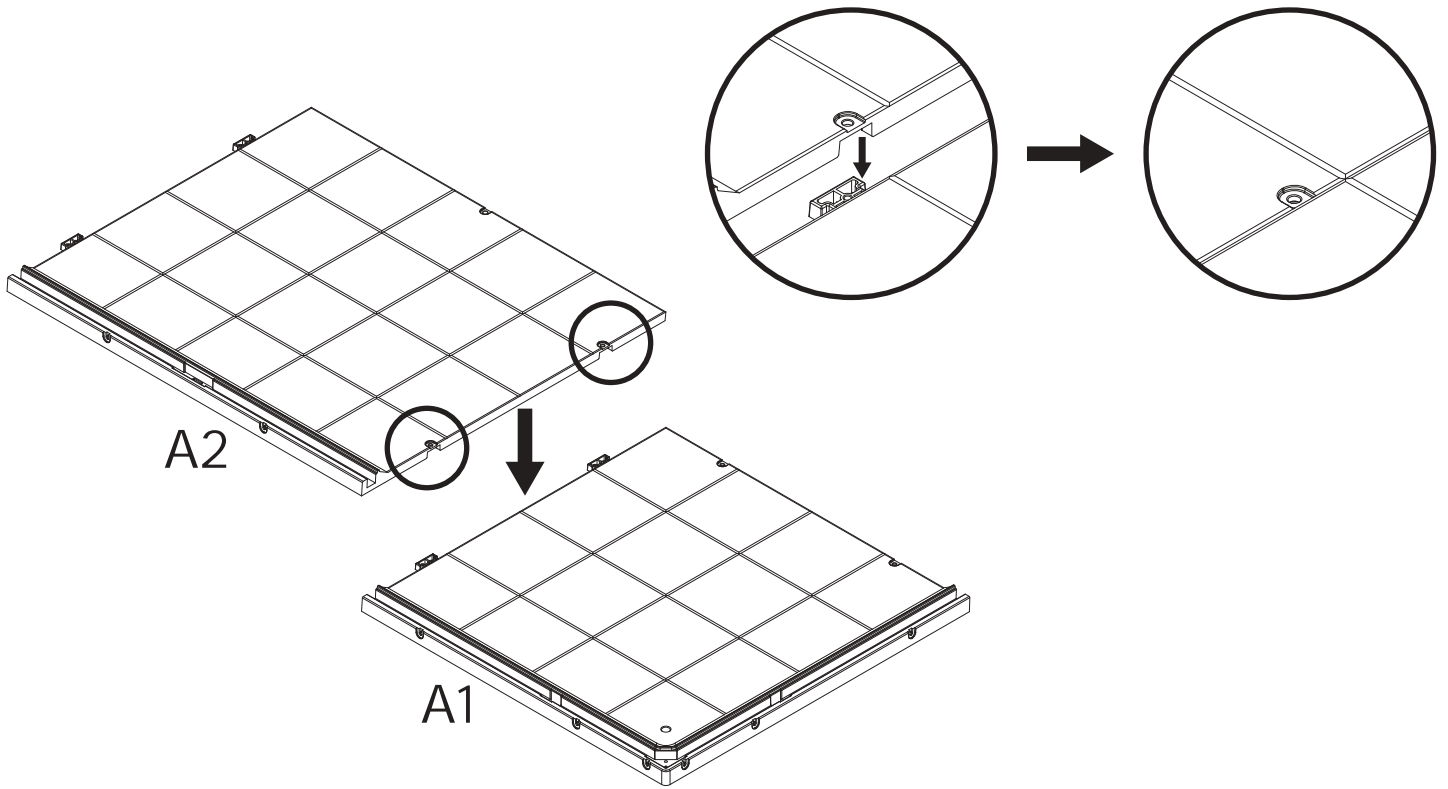
23-30
(page)



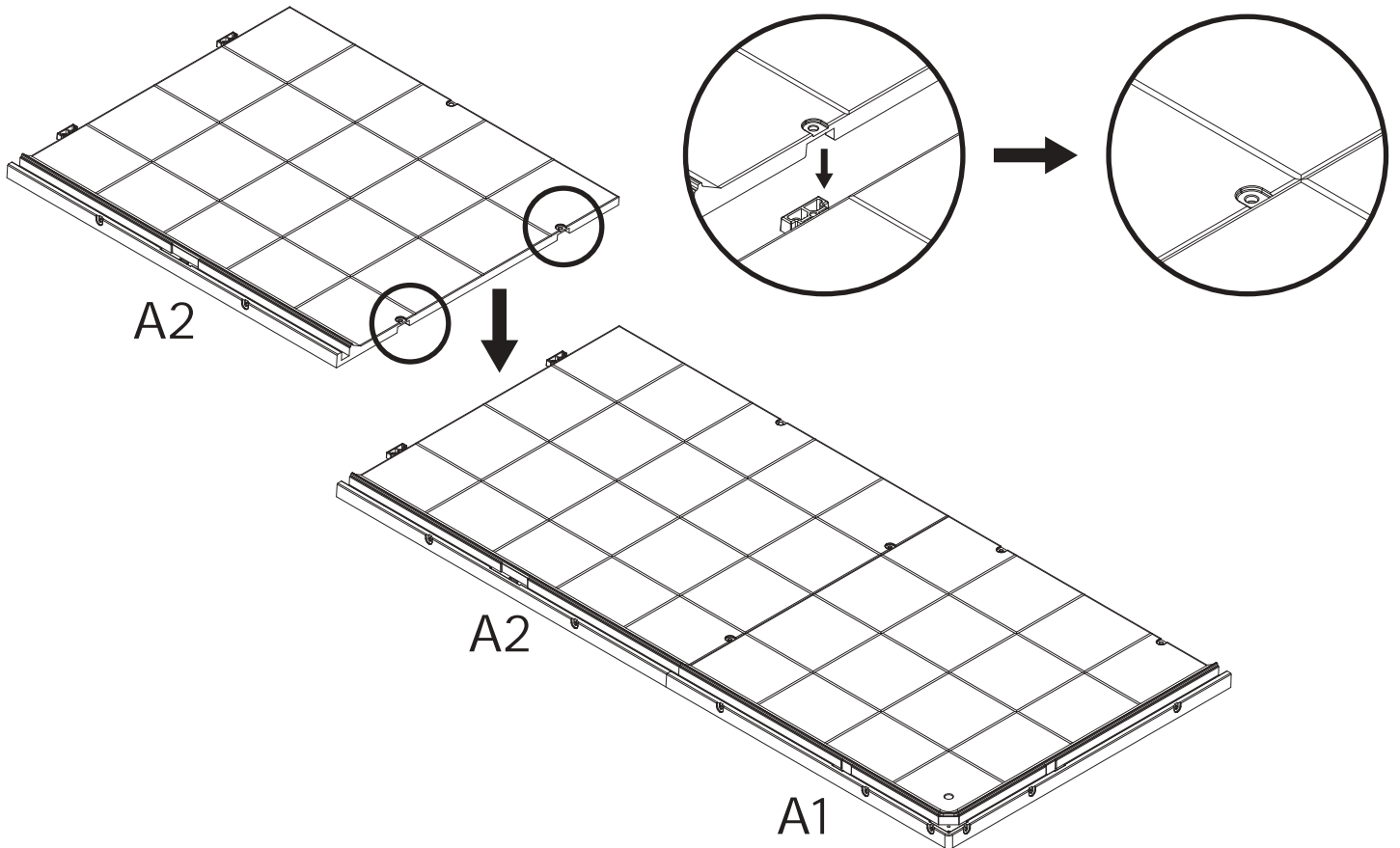
Door Part Instruction

31-33
(page)

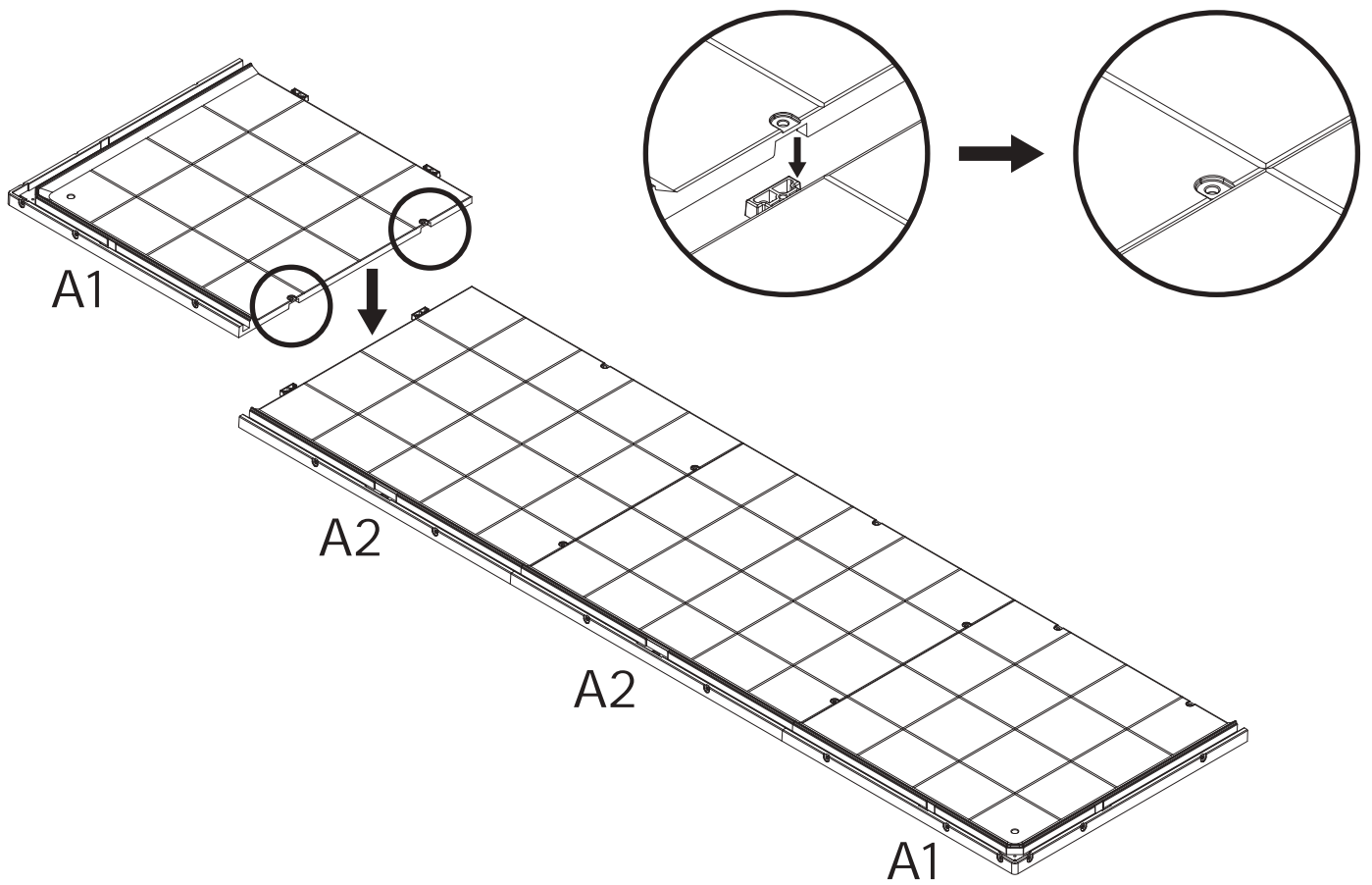
STEP 1



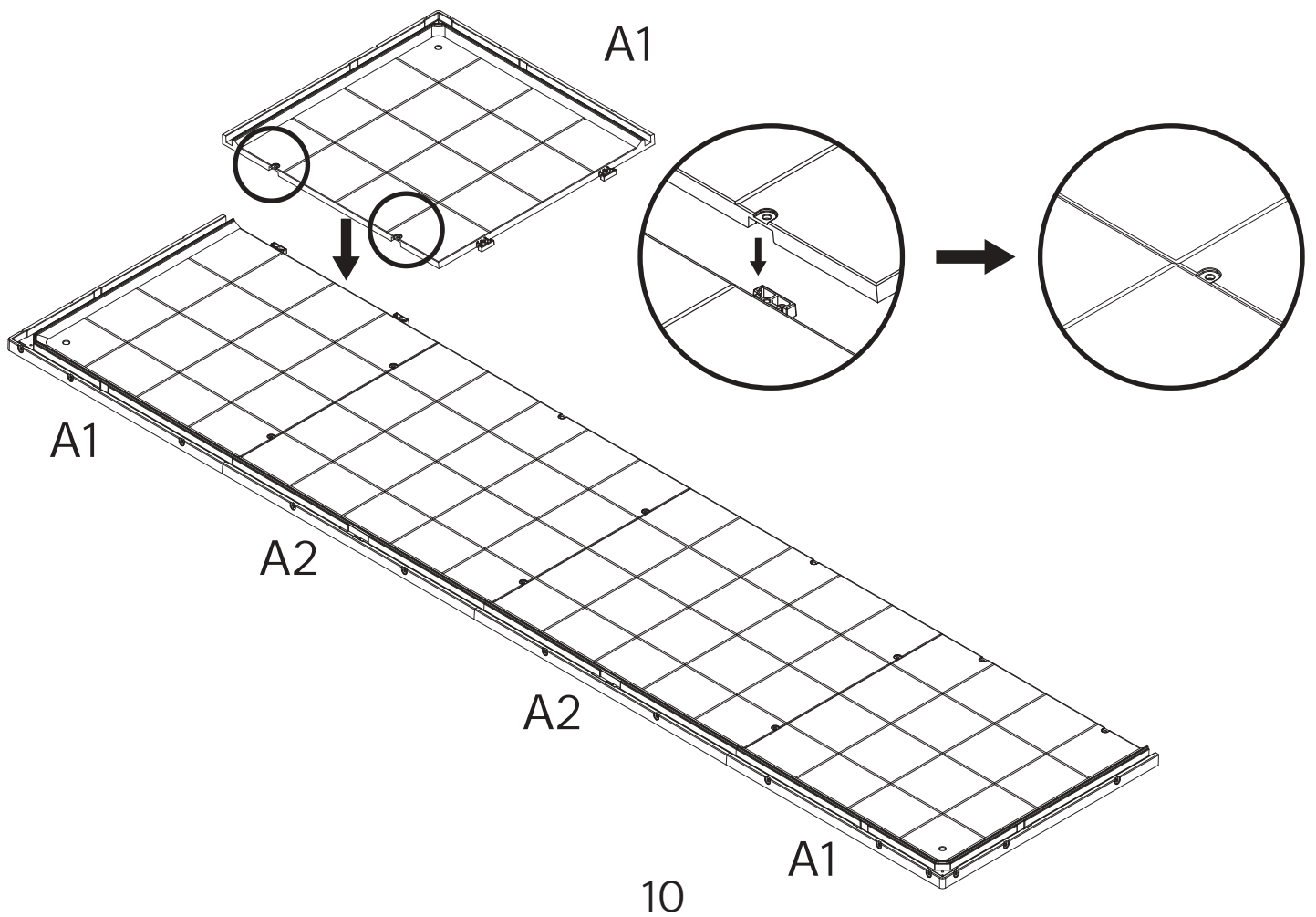
STEP 2



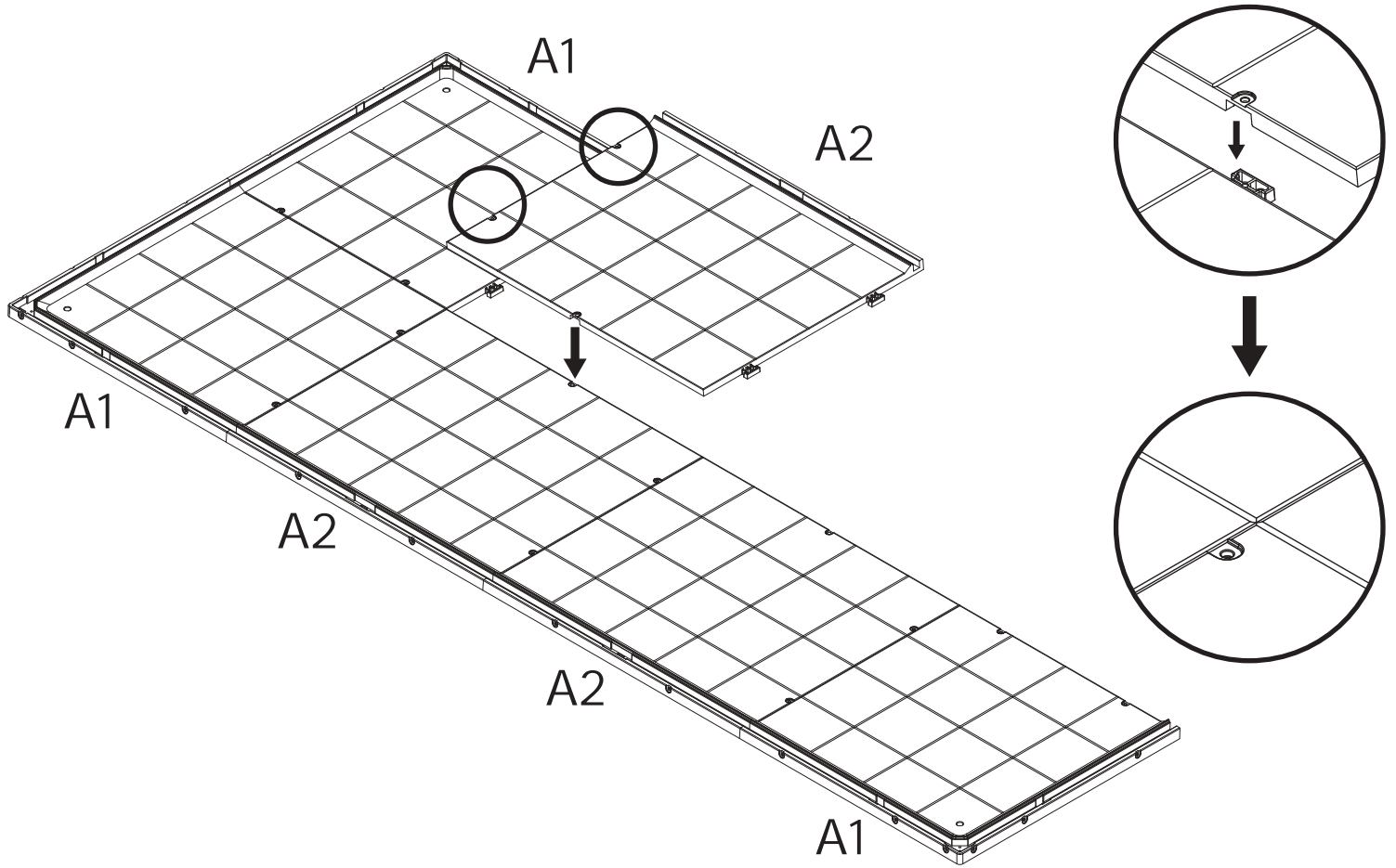
STEP 3



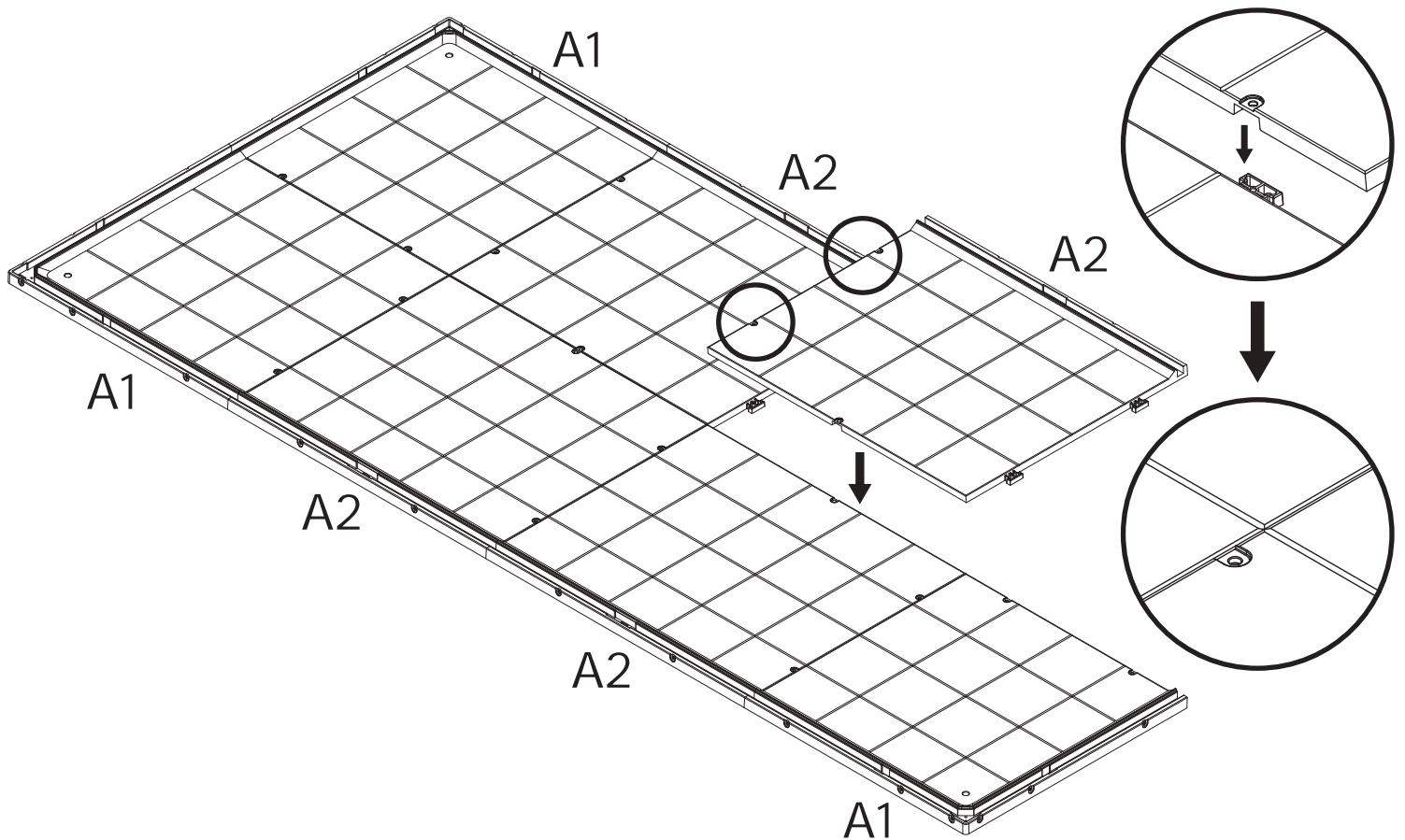
STEP 4



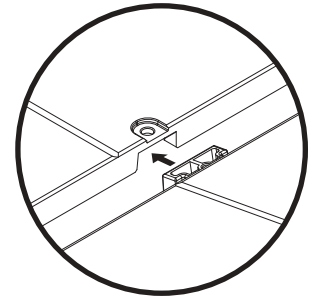
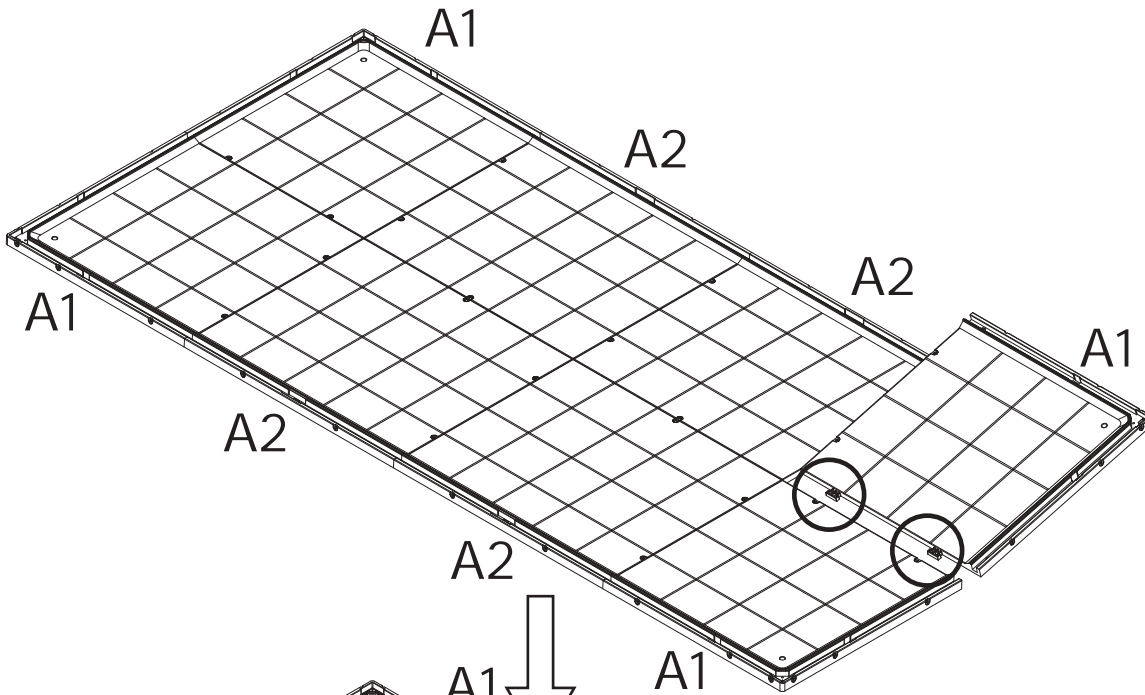
STEP 5



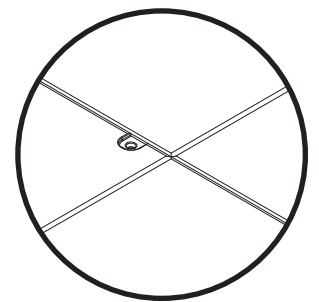
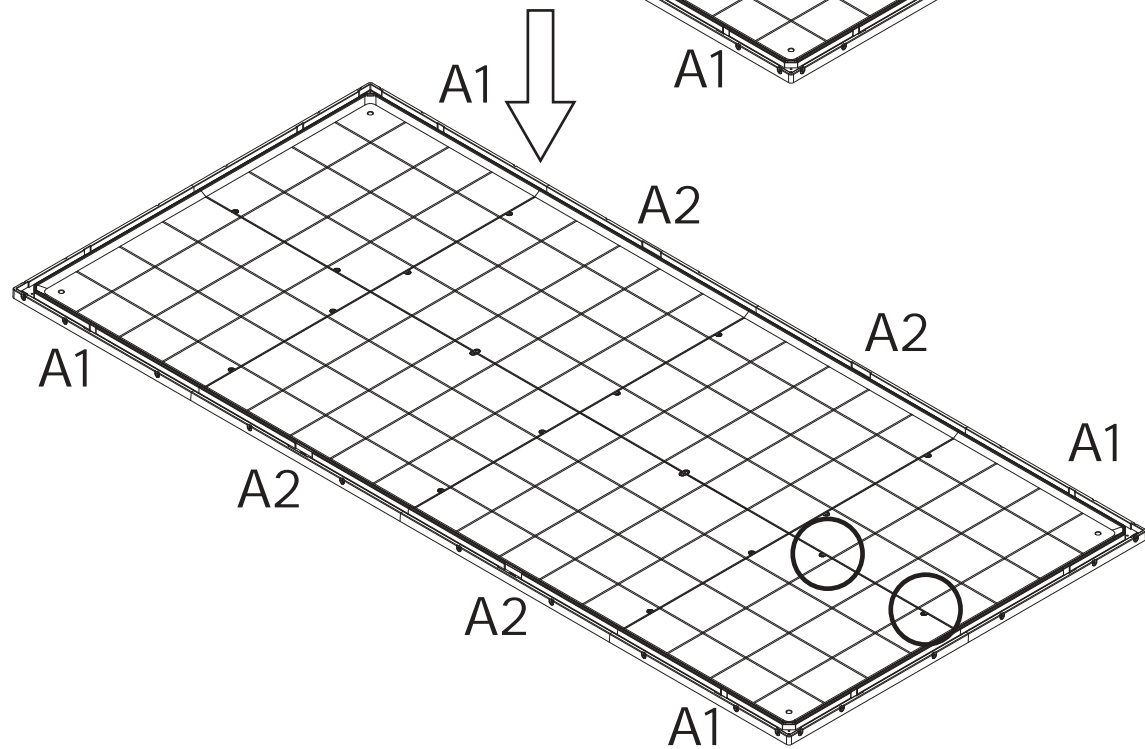
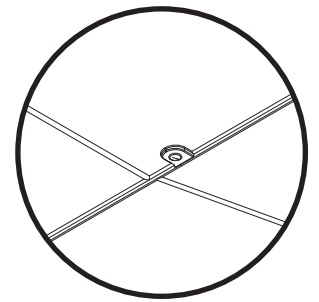
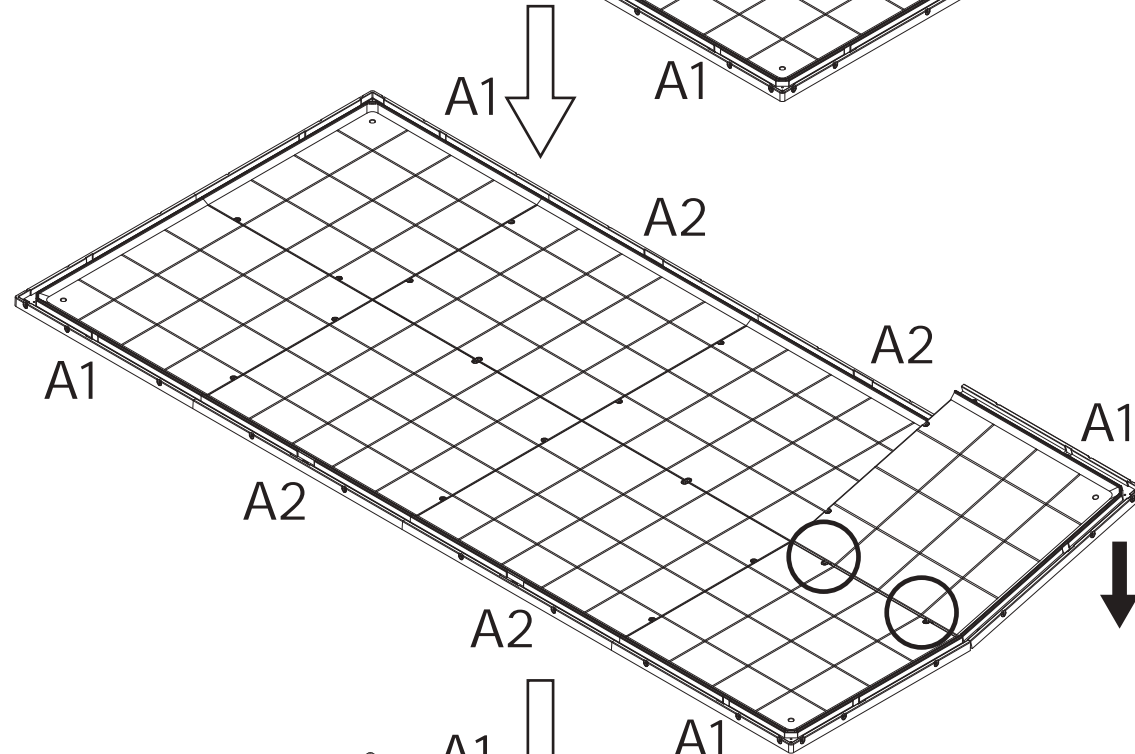
STEP 6



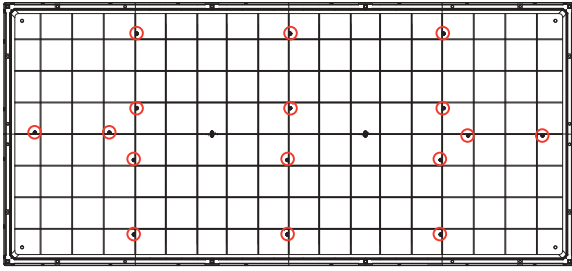
STEP 7



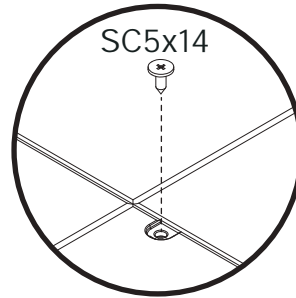
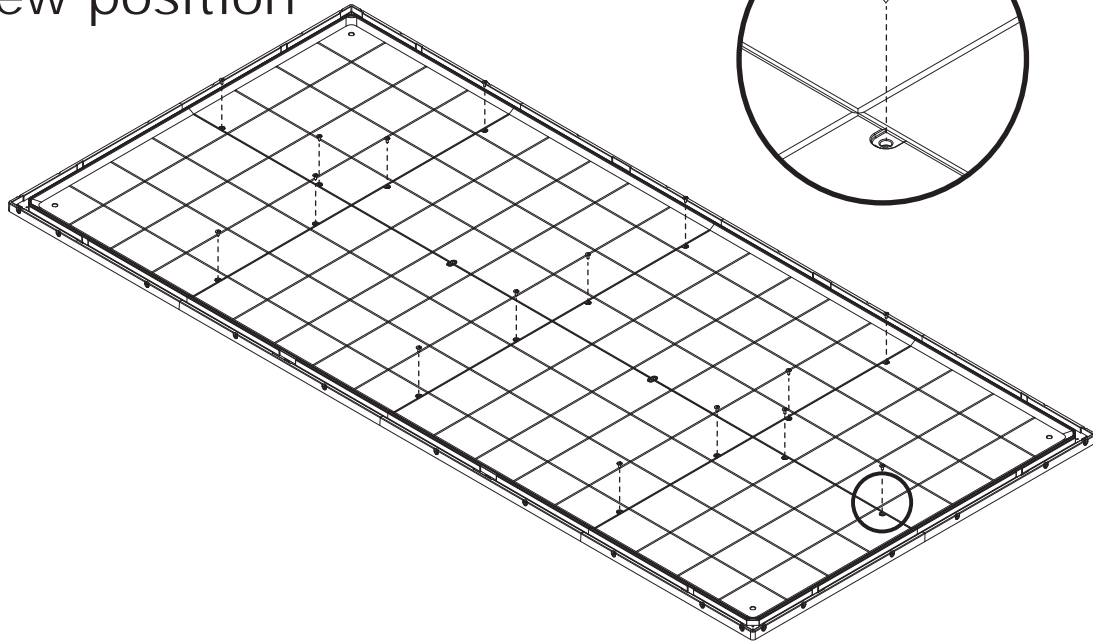
Insert A1 at an angle.



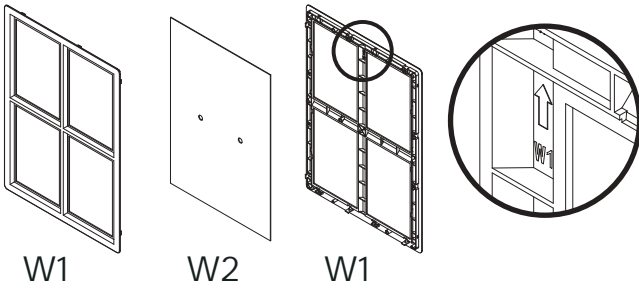
STEP 8



Screw position



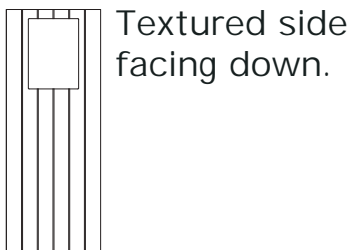
STEP 9



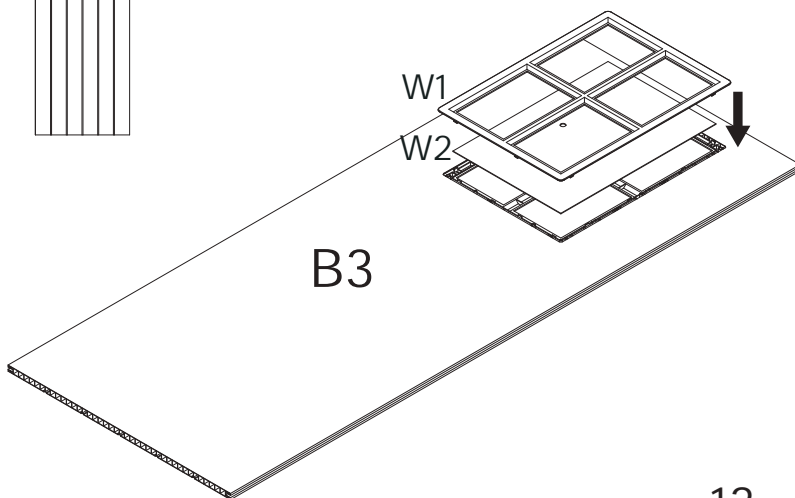
W1

W2

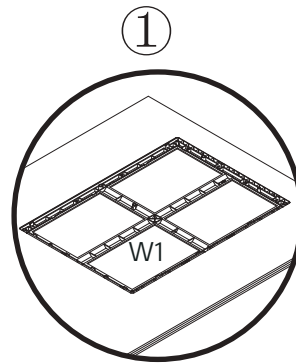
W1



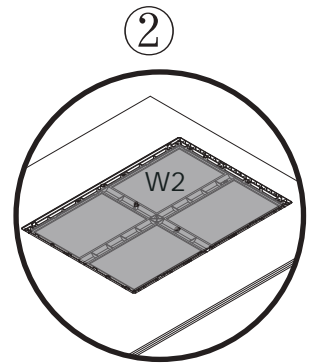
Textured side facing down.



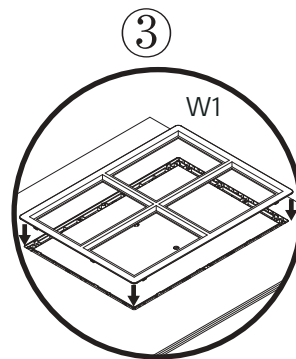
B3



1

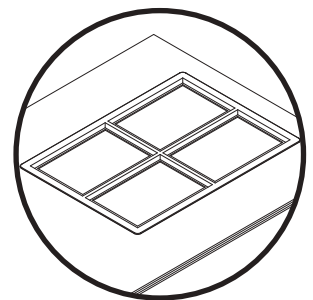


2

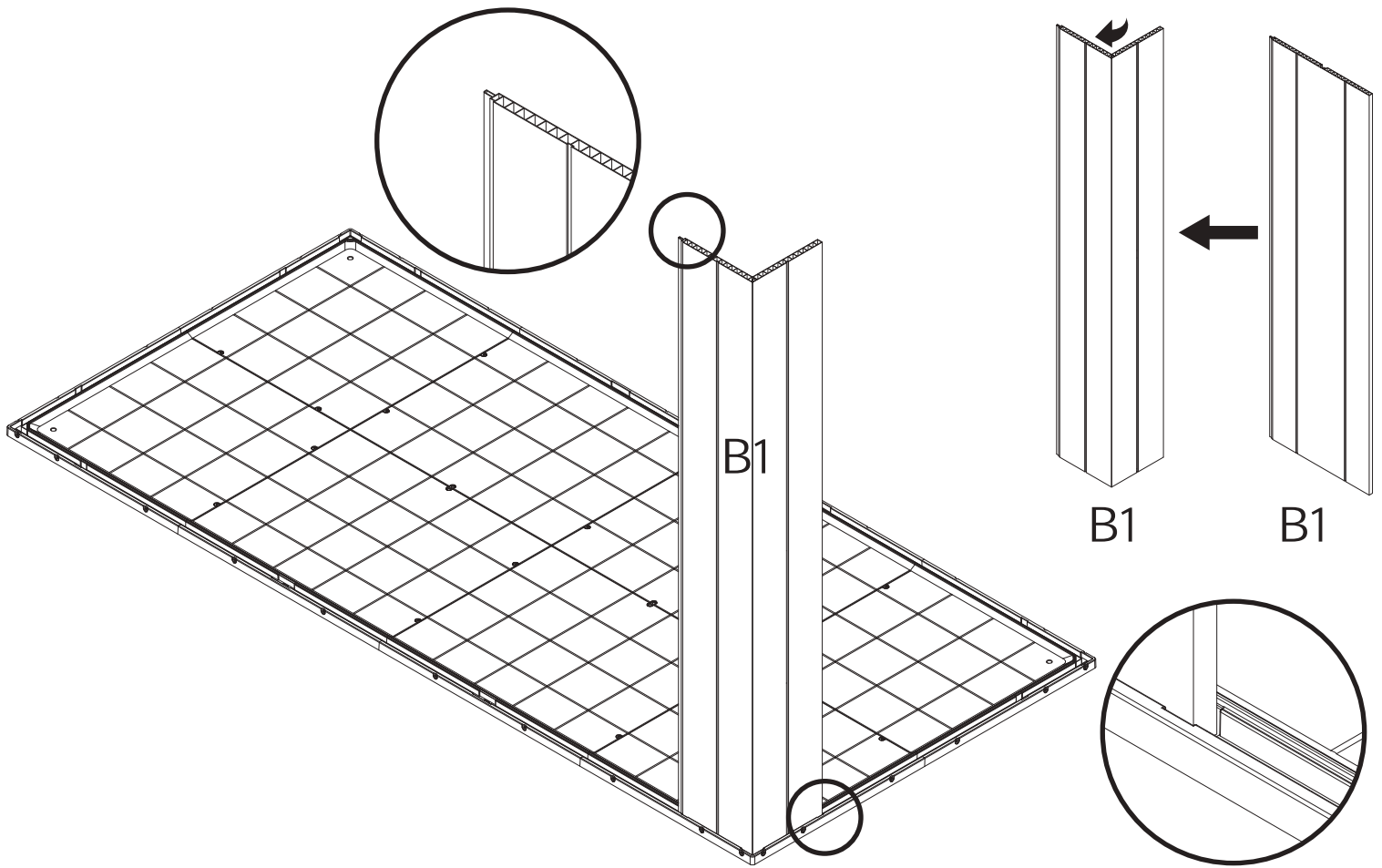


3

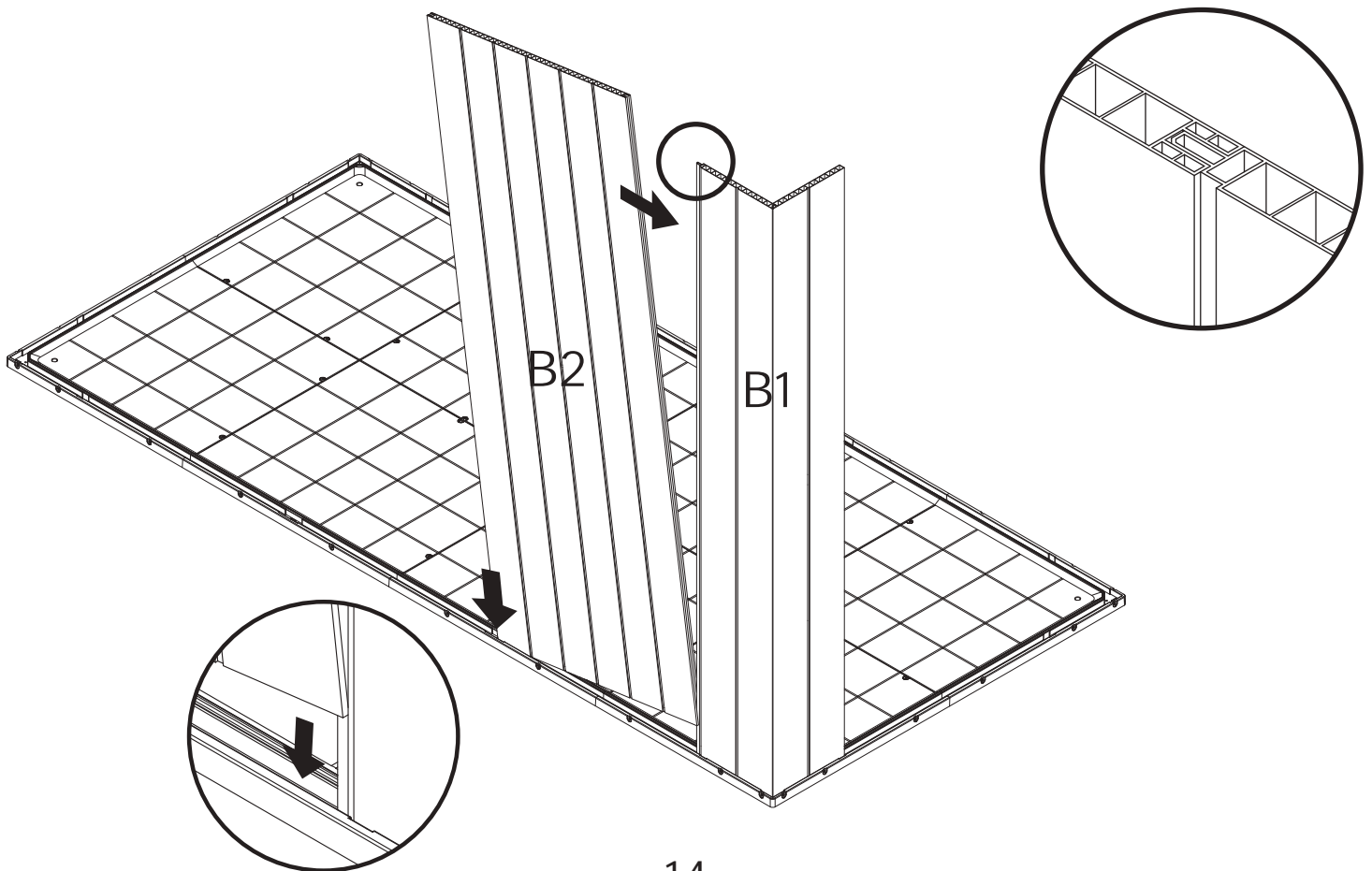
FINISH



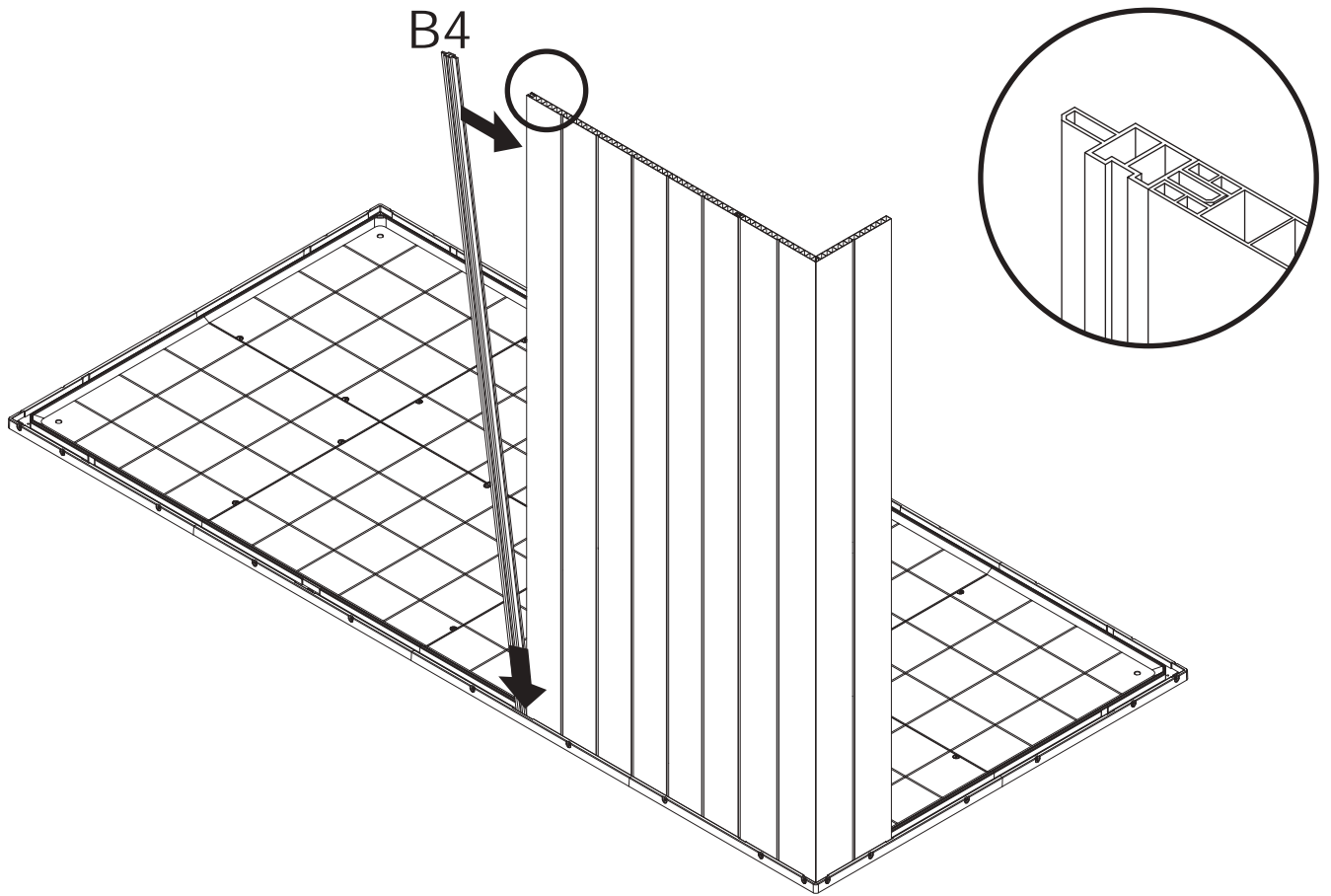
STEP 10



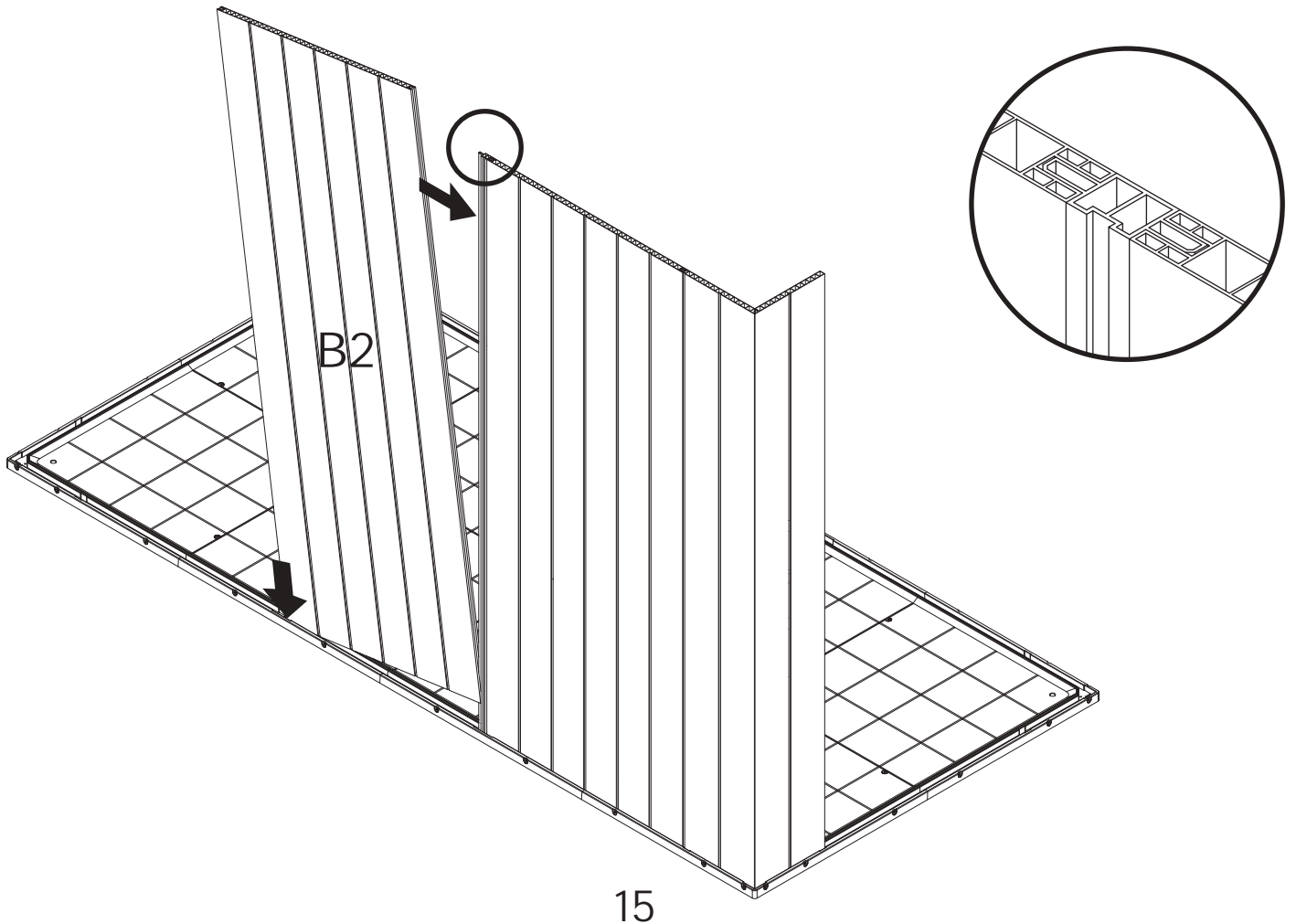
STEP 11



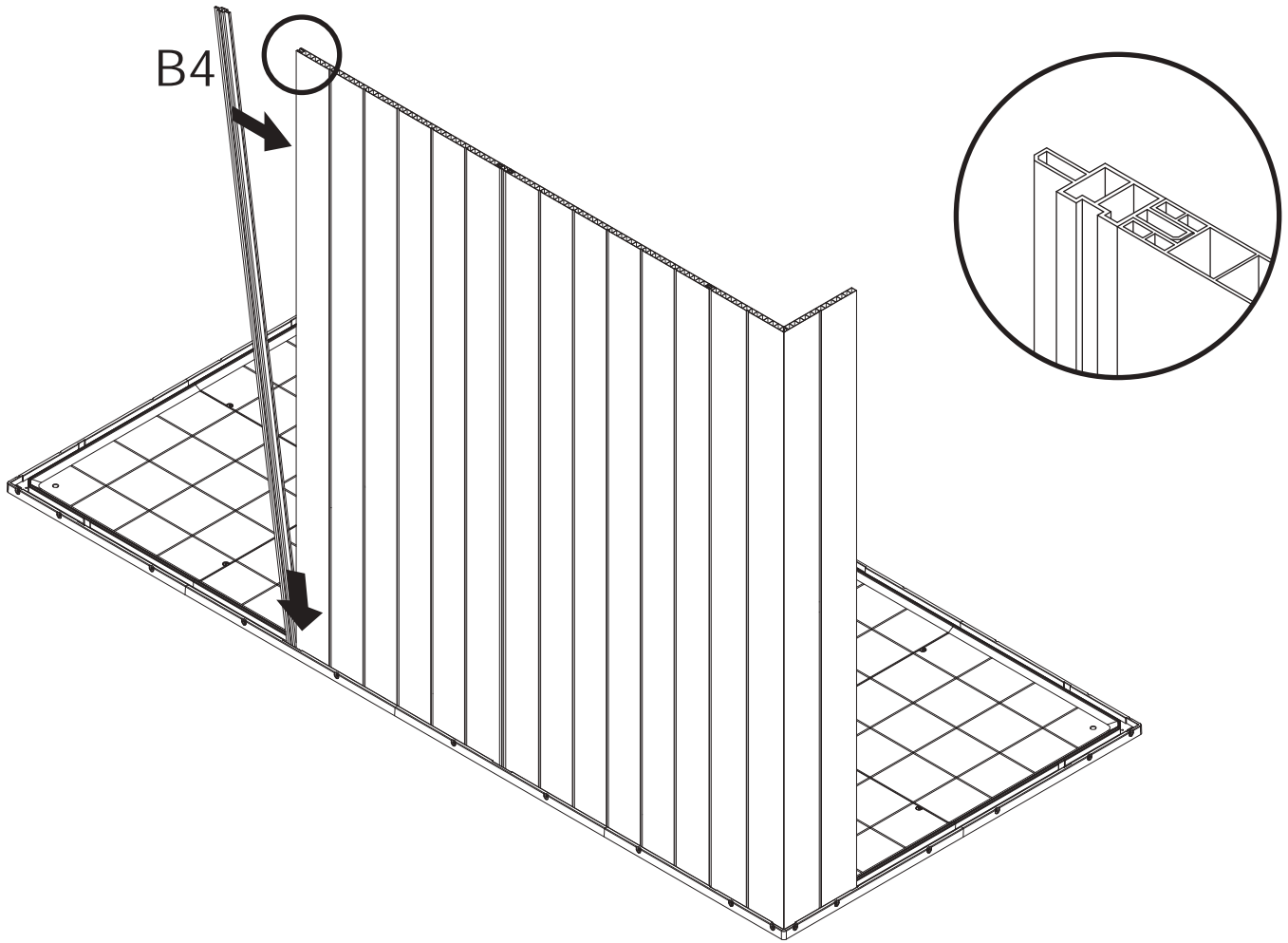
STEP 12



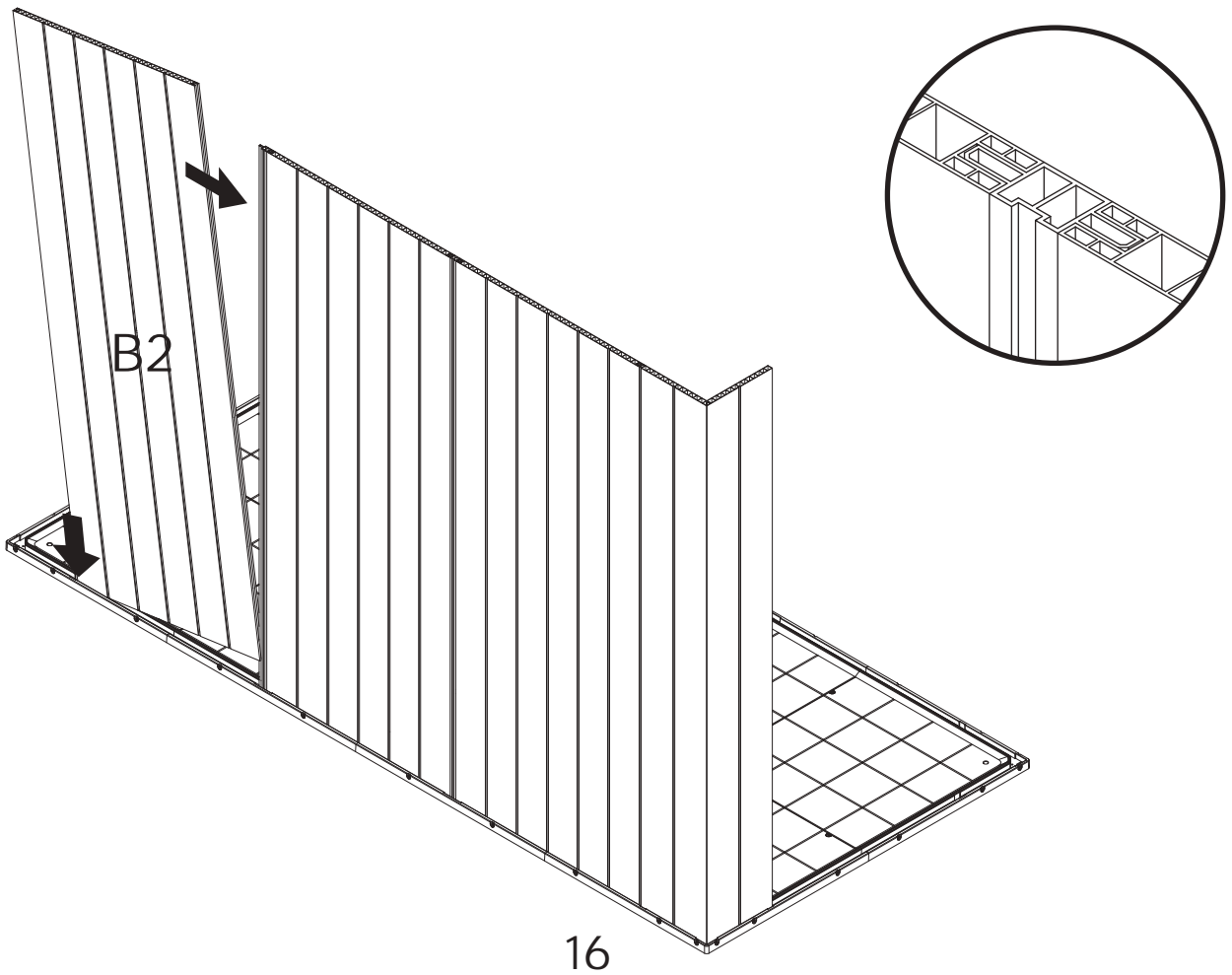
STEP 13



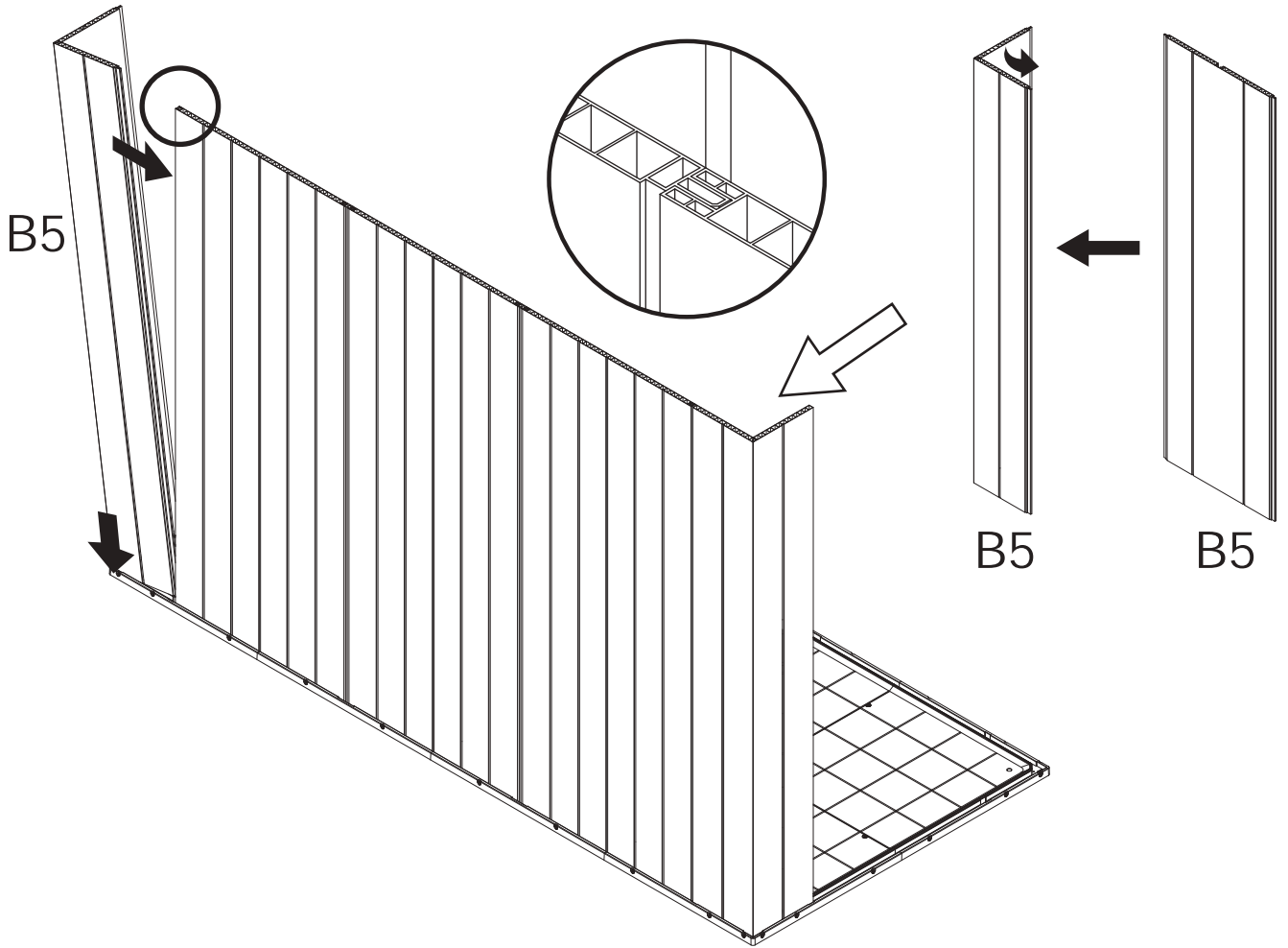
STEP 14



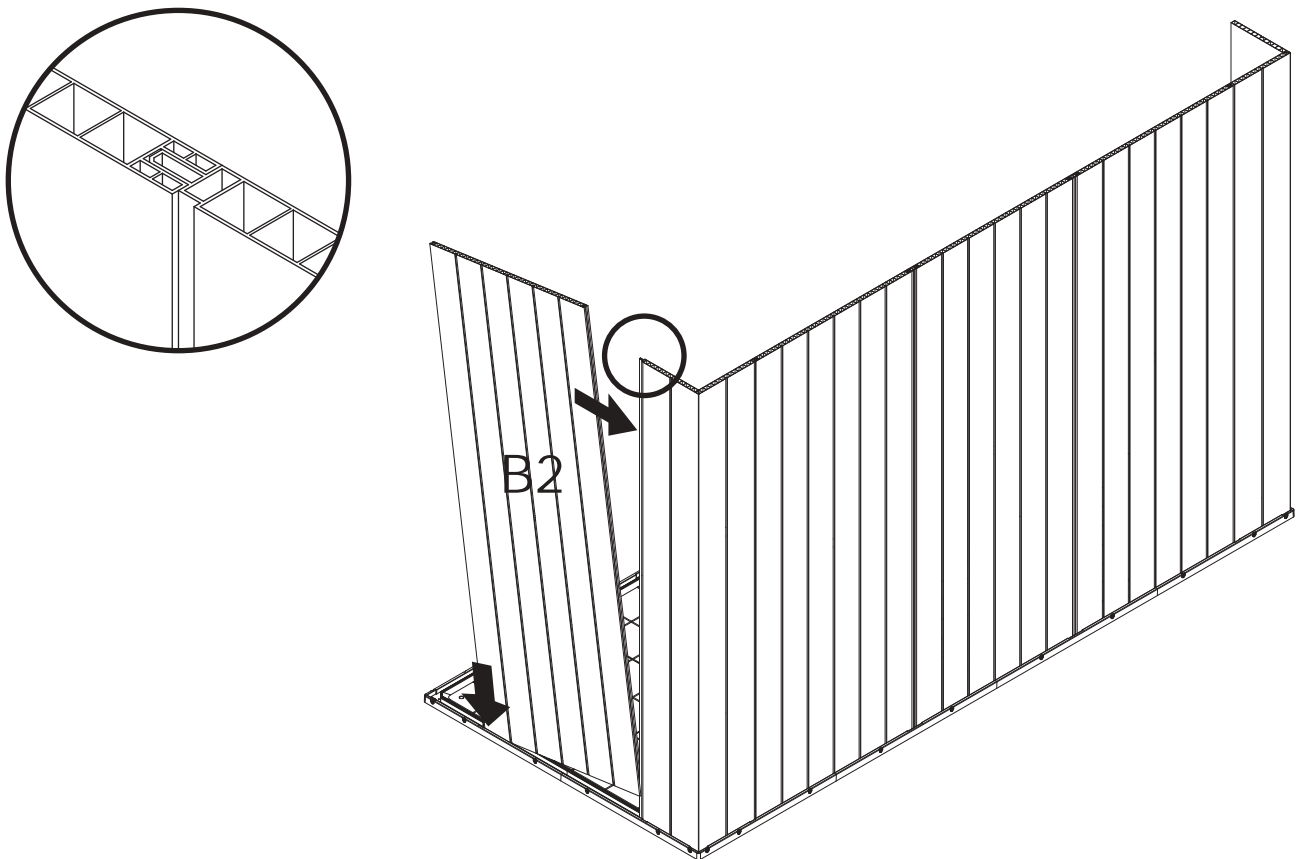
STEP 15



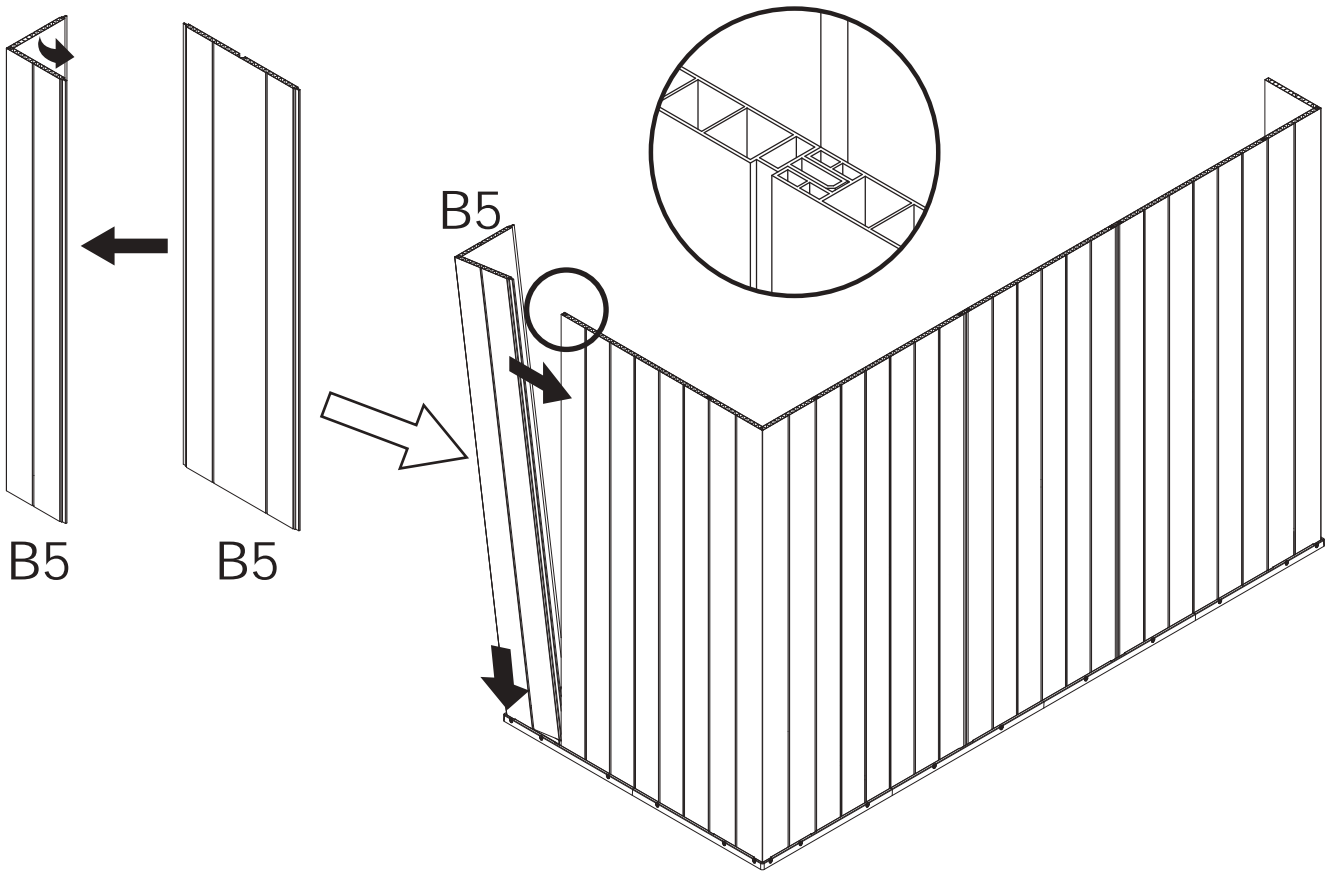
STEP 16



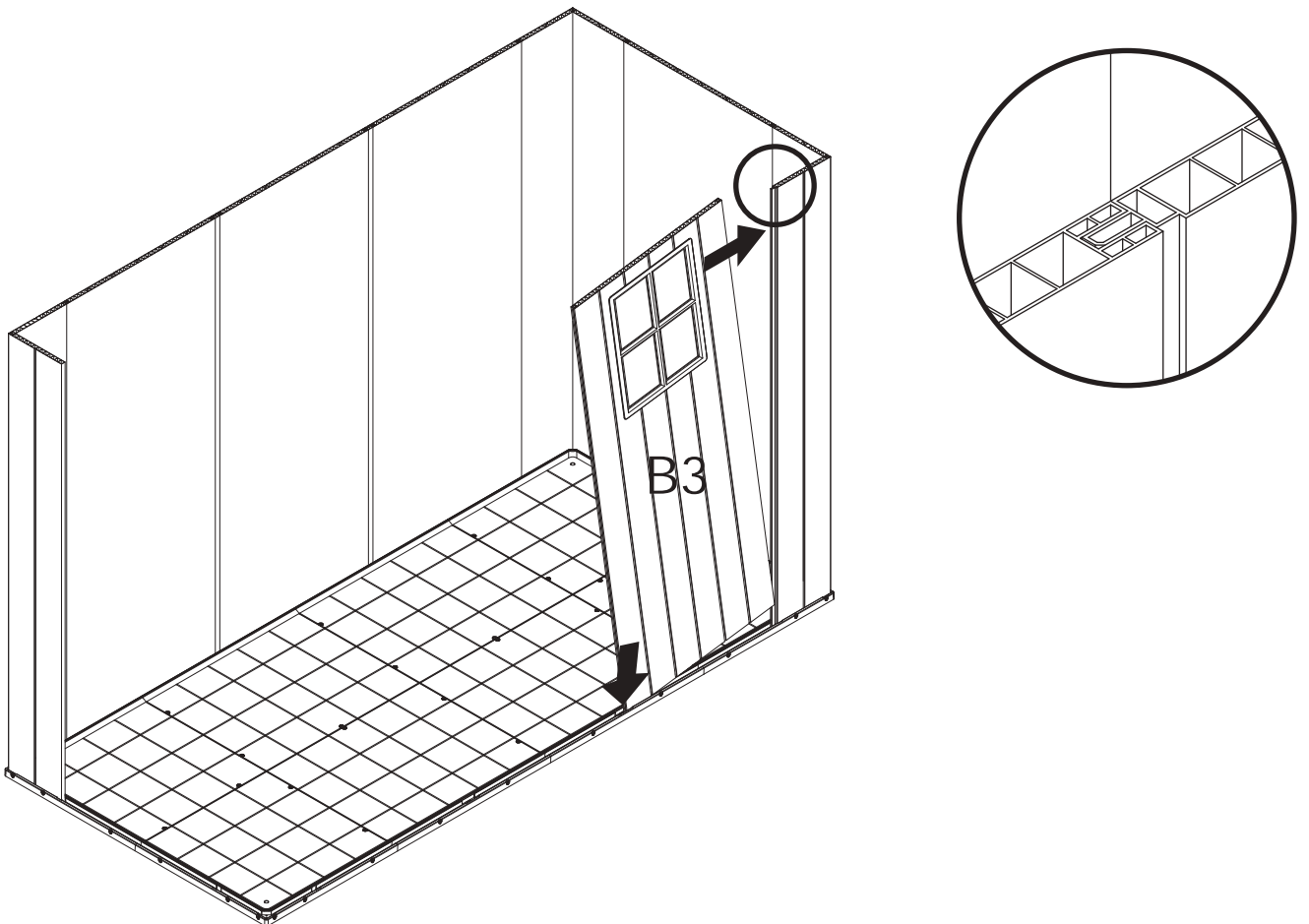
STEP 17



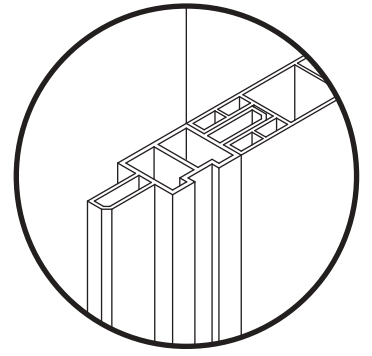
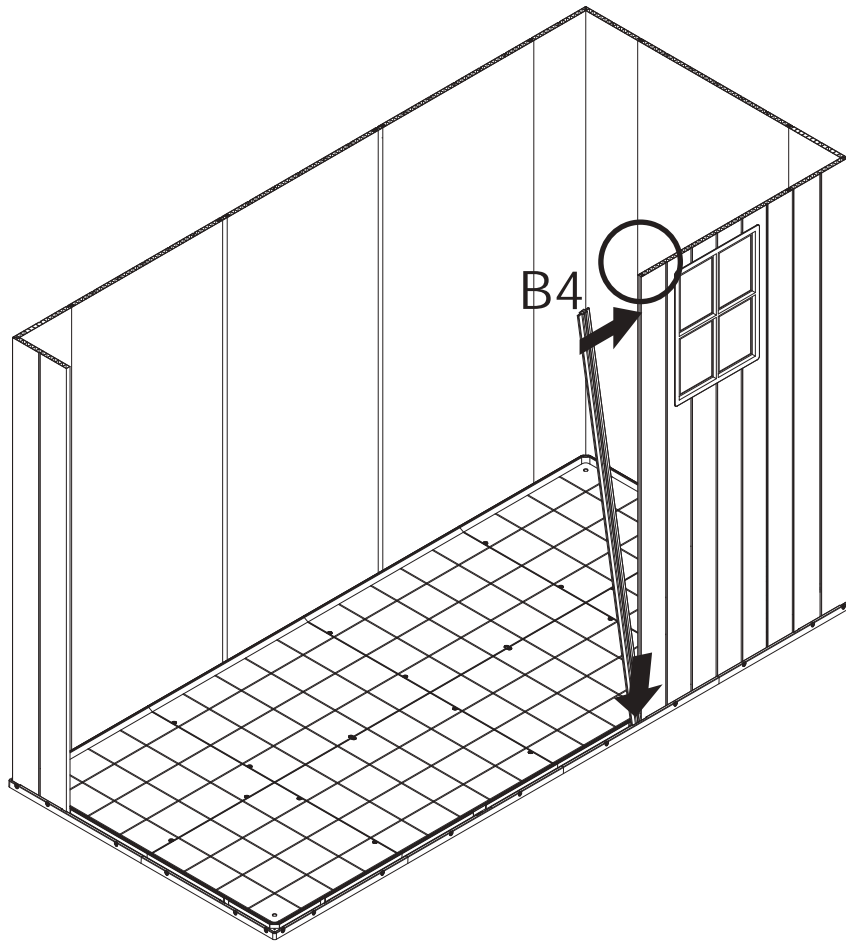
STEP 18



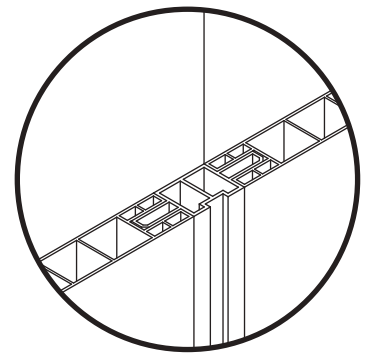
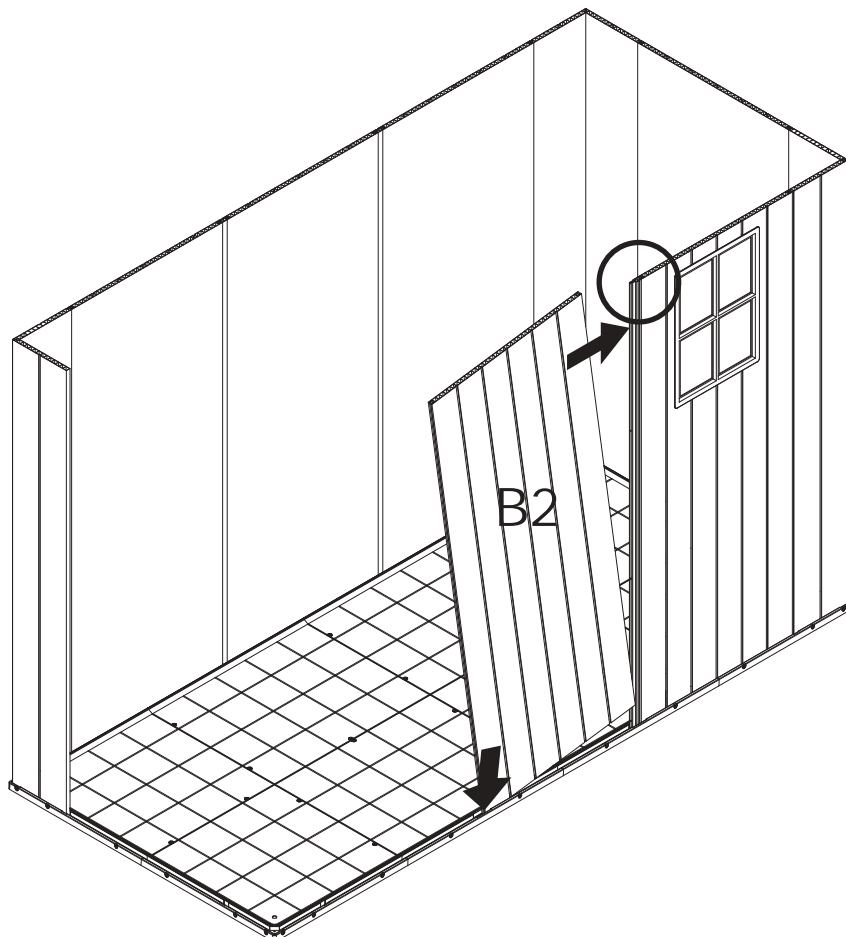
STEP 19



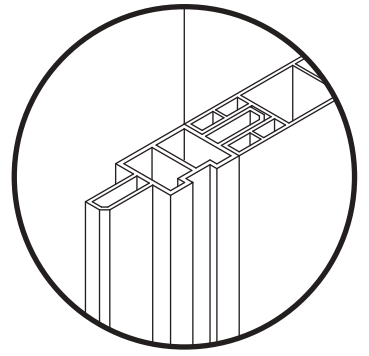
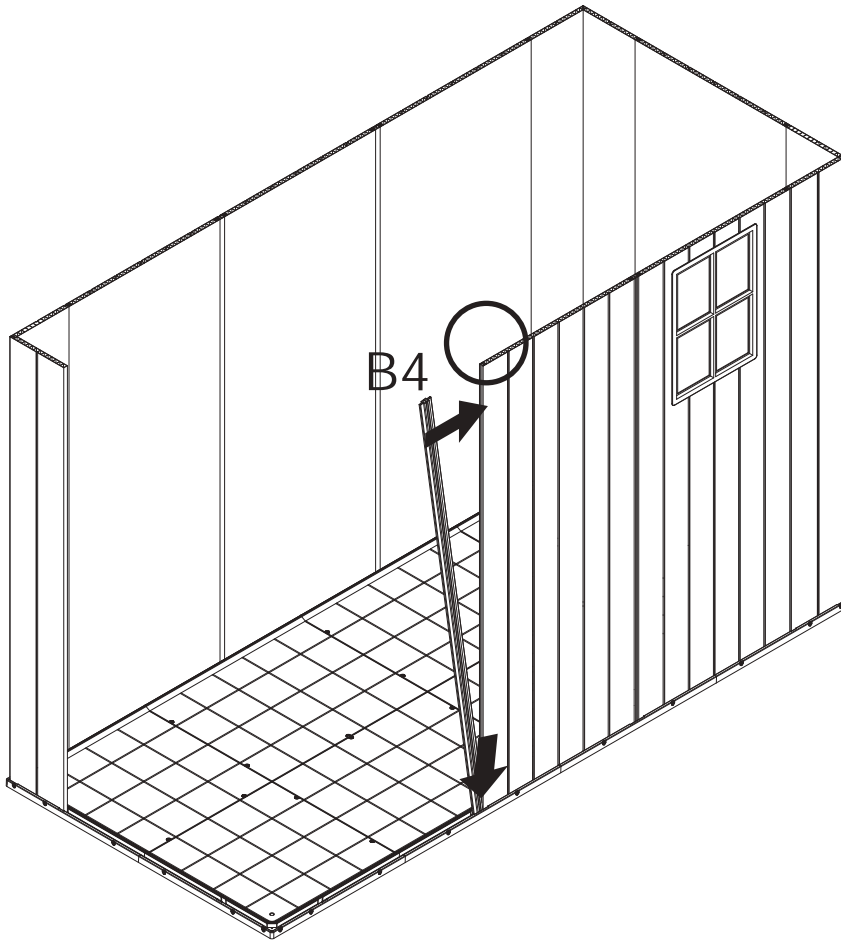
STEP 20



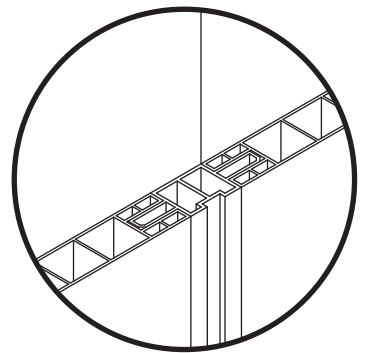
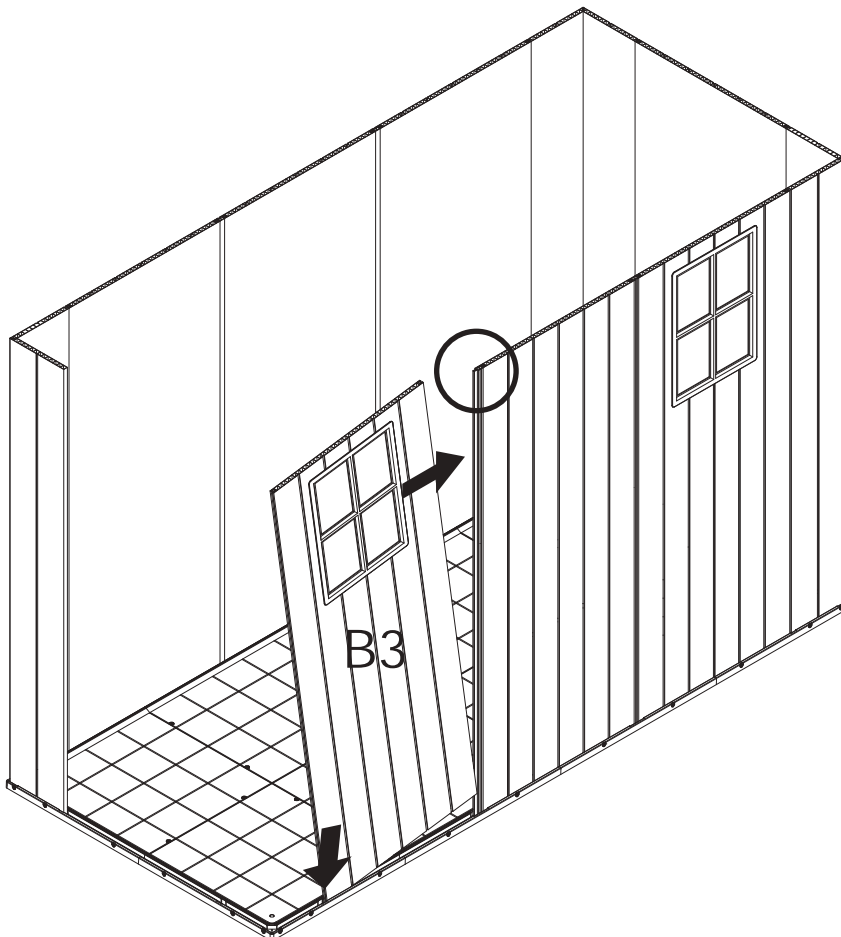
STEP 21



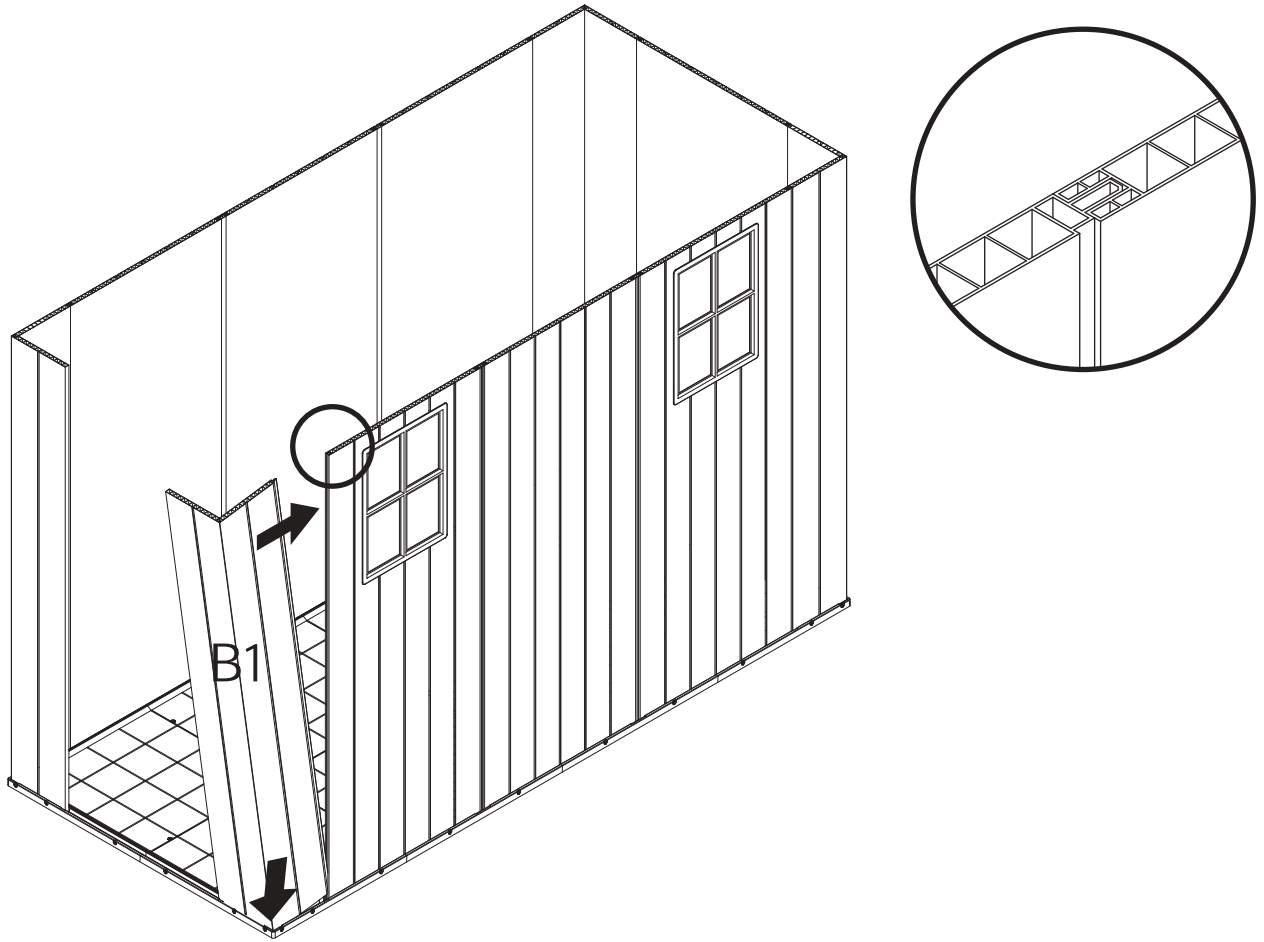
STEP 22



STEP 23

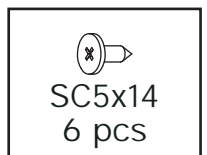
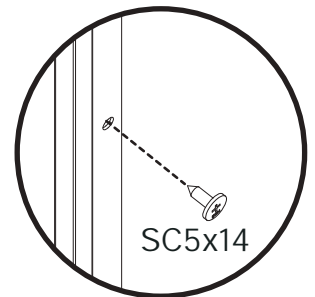
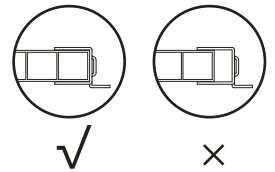
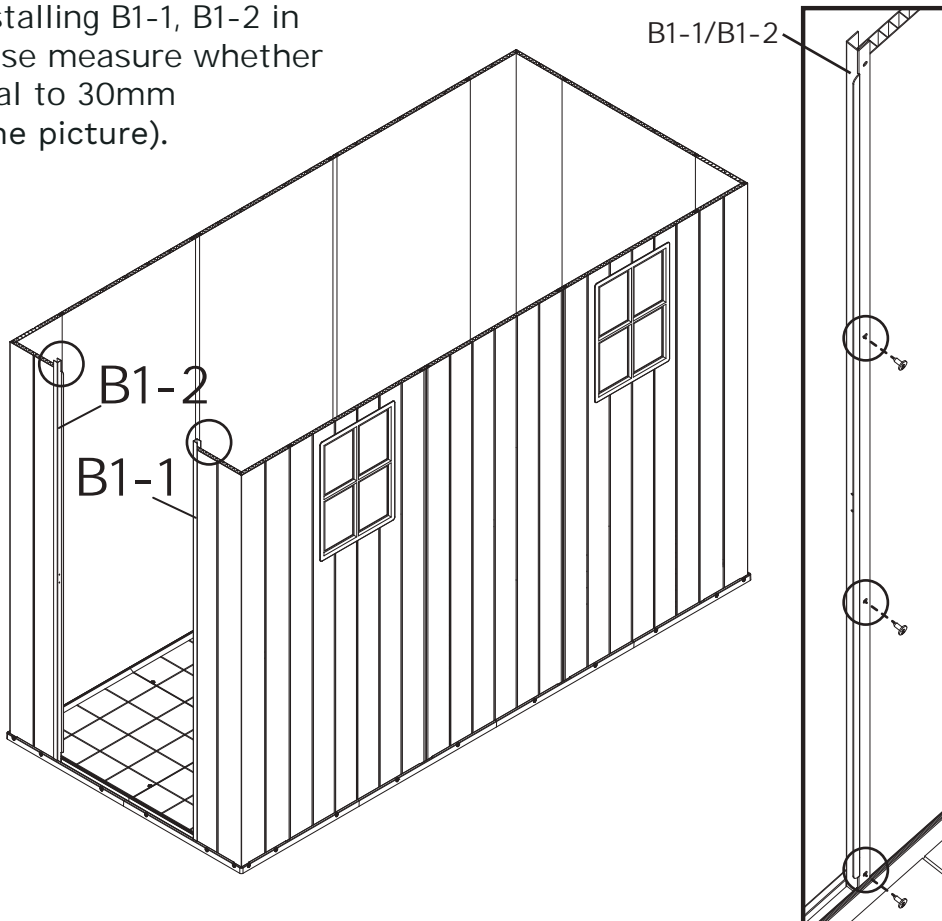
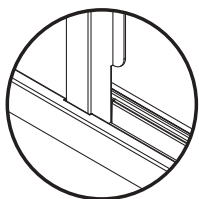
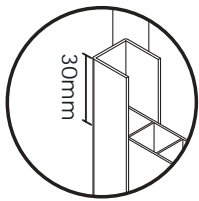


STEP 24

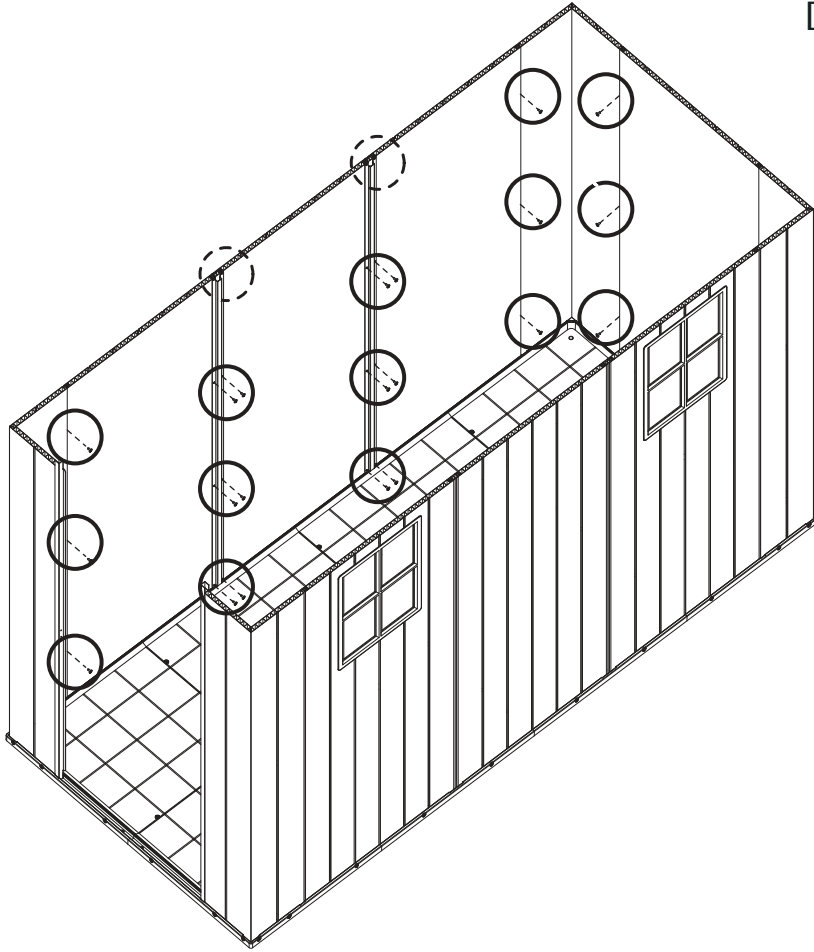


STEP 25

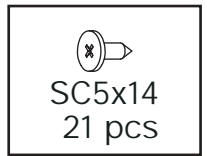
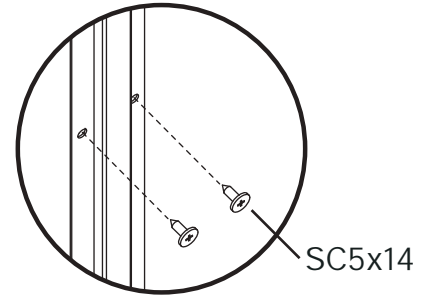
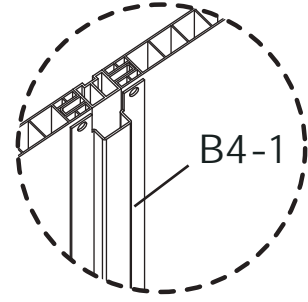
Note: After installing B1-1, B1-2 in sequence, please measure whether the size is equal to 30mm (as shown in the picture).



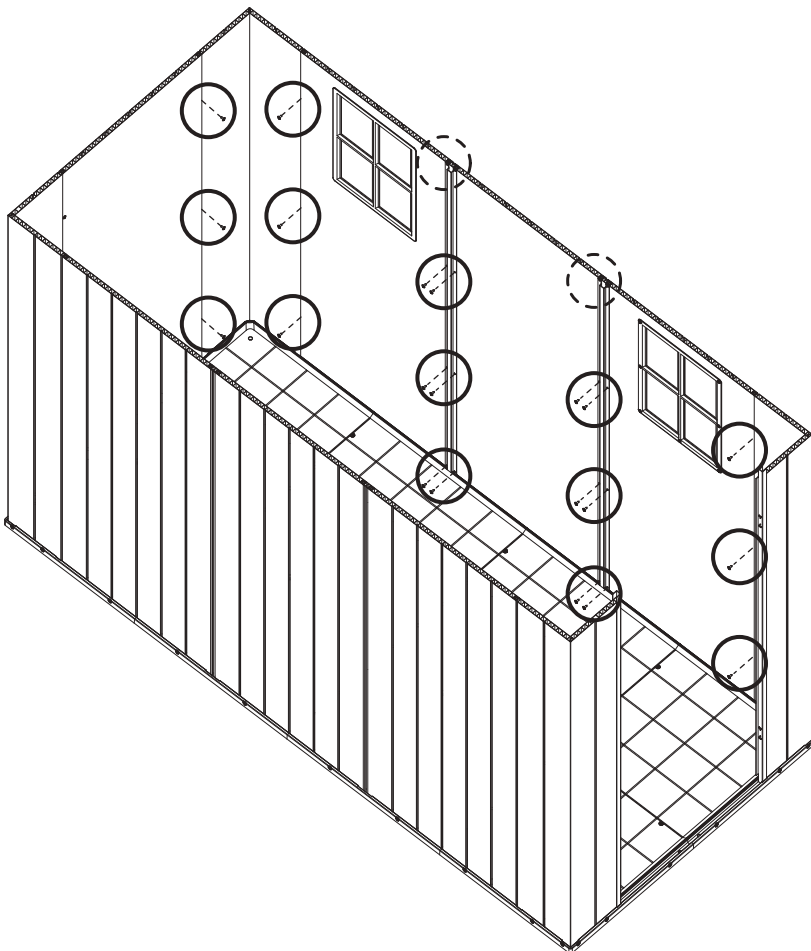
STEP 26



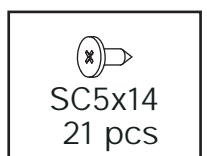
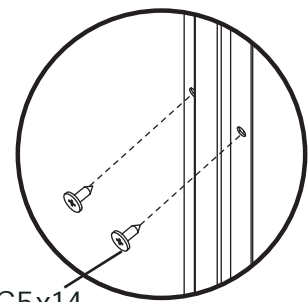
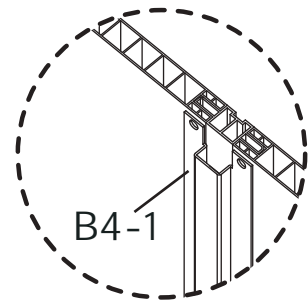
Do not hit the screws here yet.



STEP 27

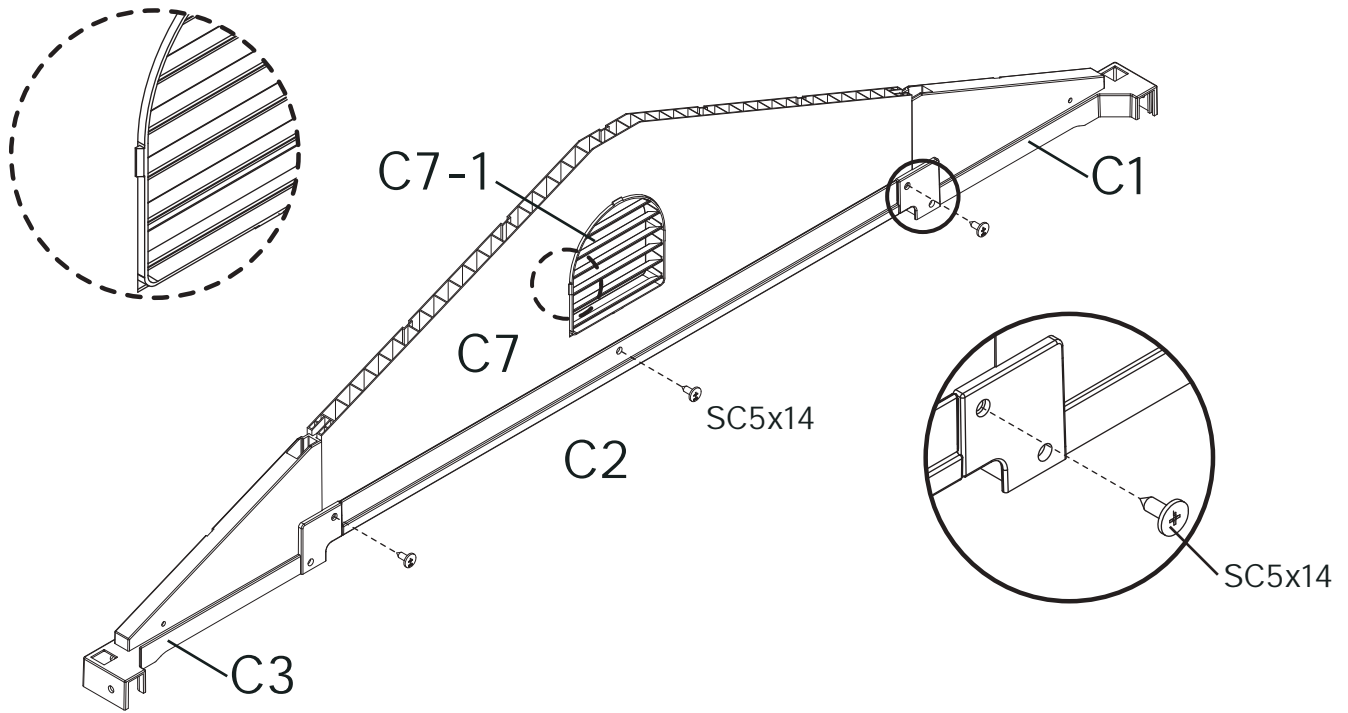


Do not hit the screws here yet.

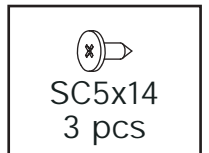


STEP 28

Note the snaps on C7-1.

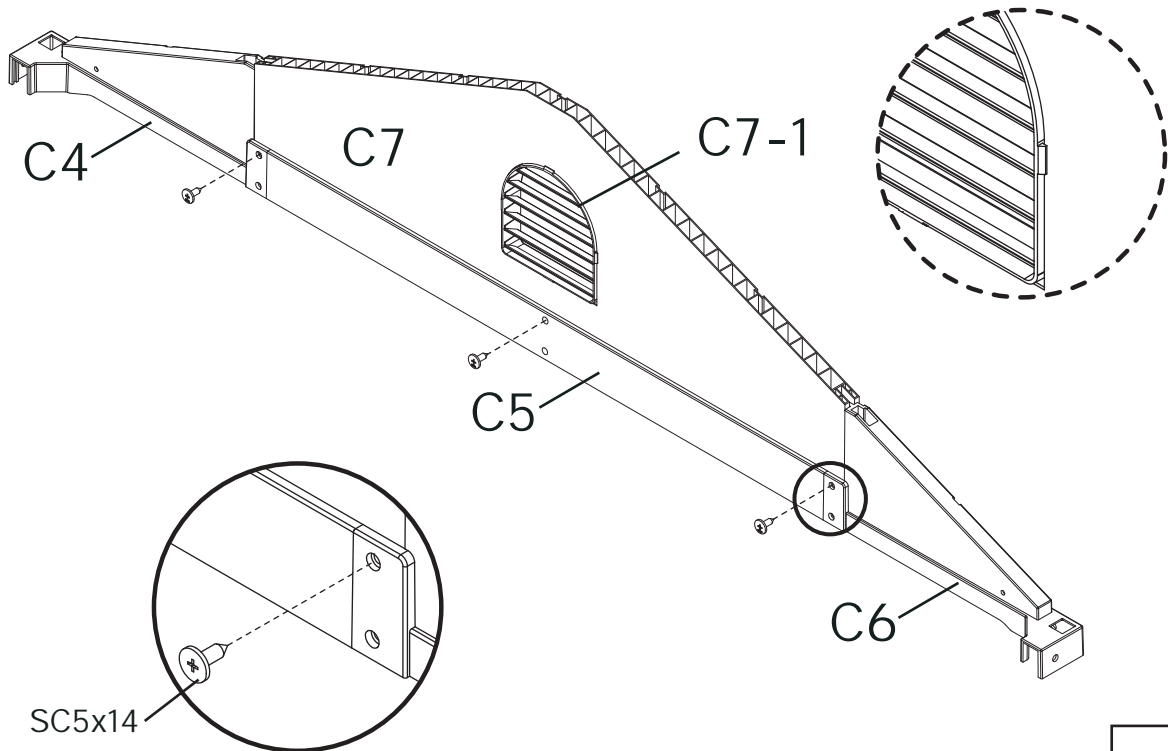


For Front Door

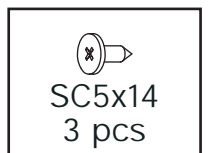


STEP 29

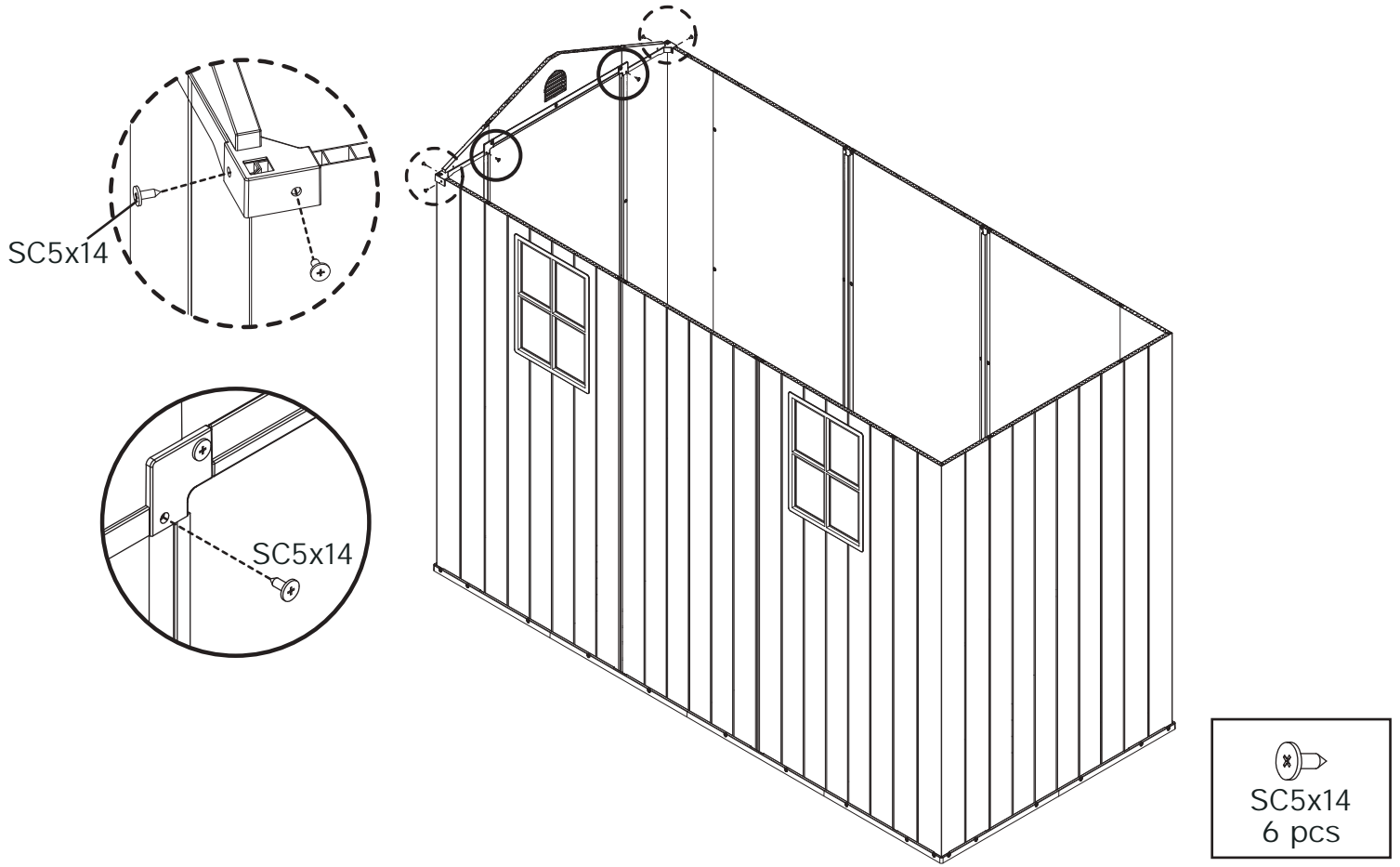
Note the snaps on C7-1.



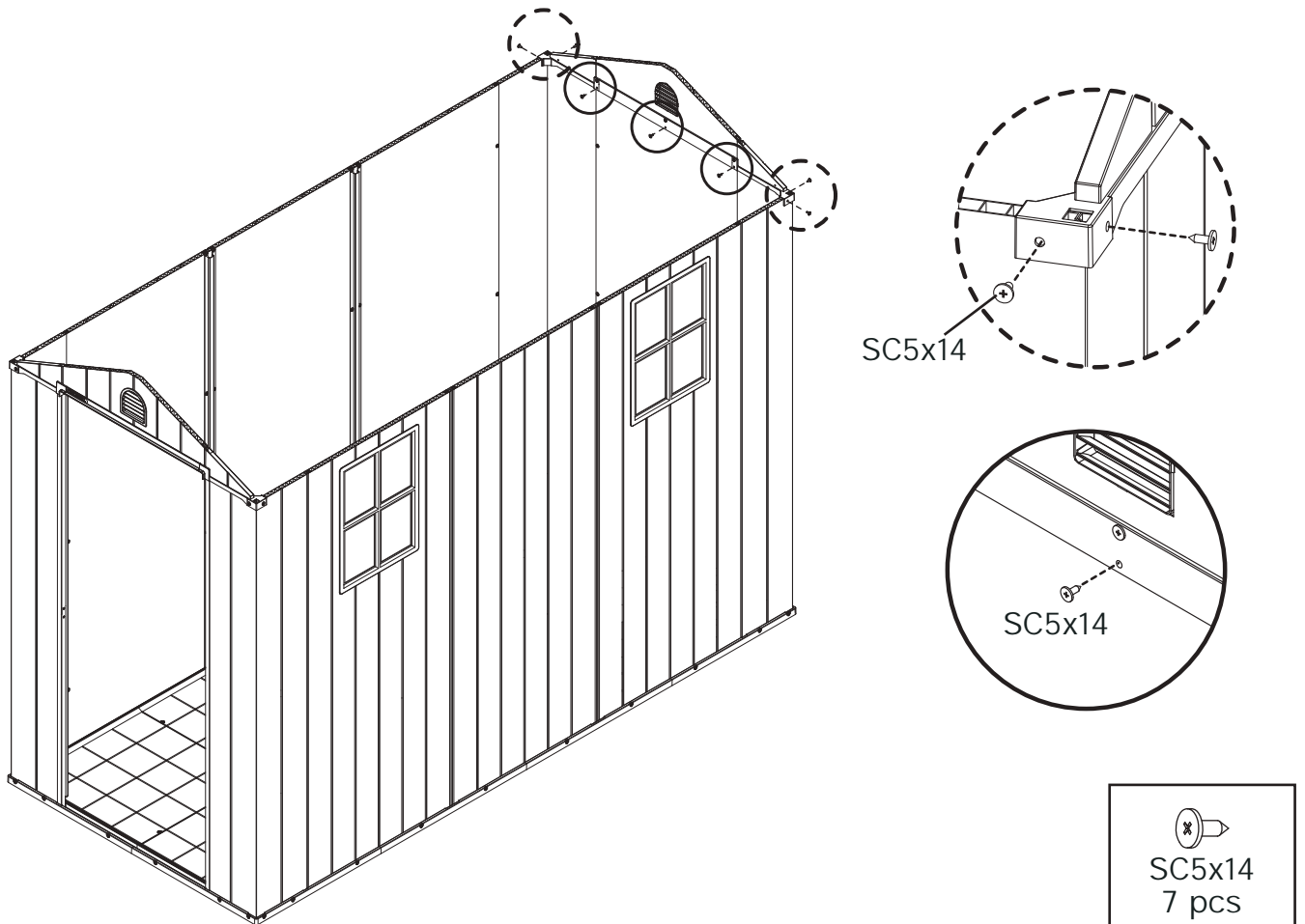
SC5x14



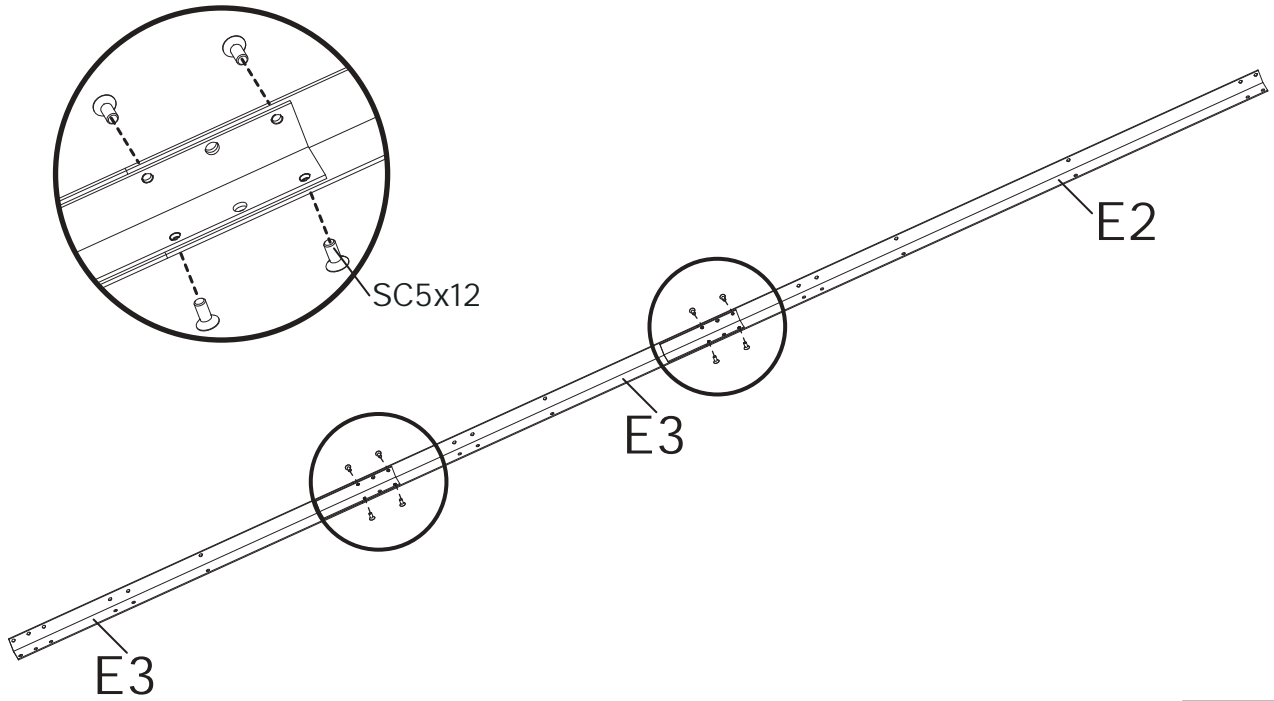
STEP 30



STEP 31



STEP 32

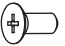


SC5x12

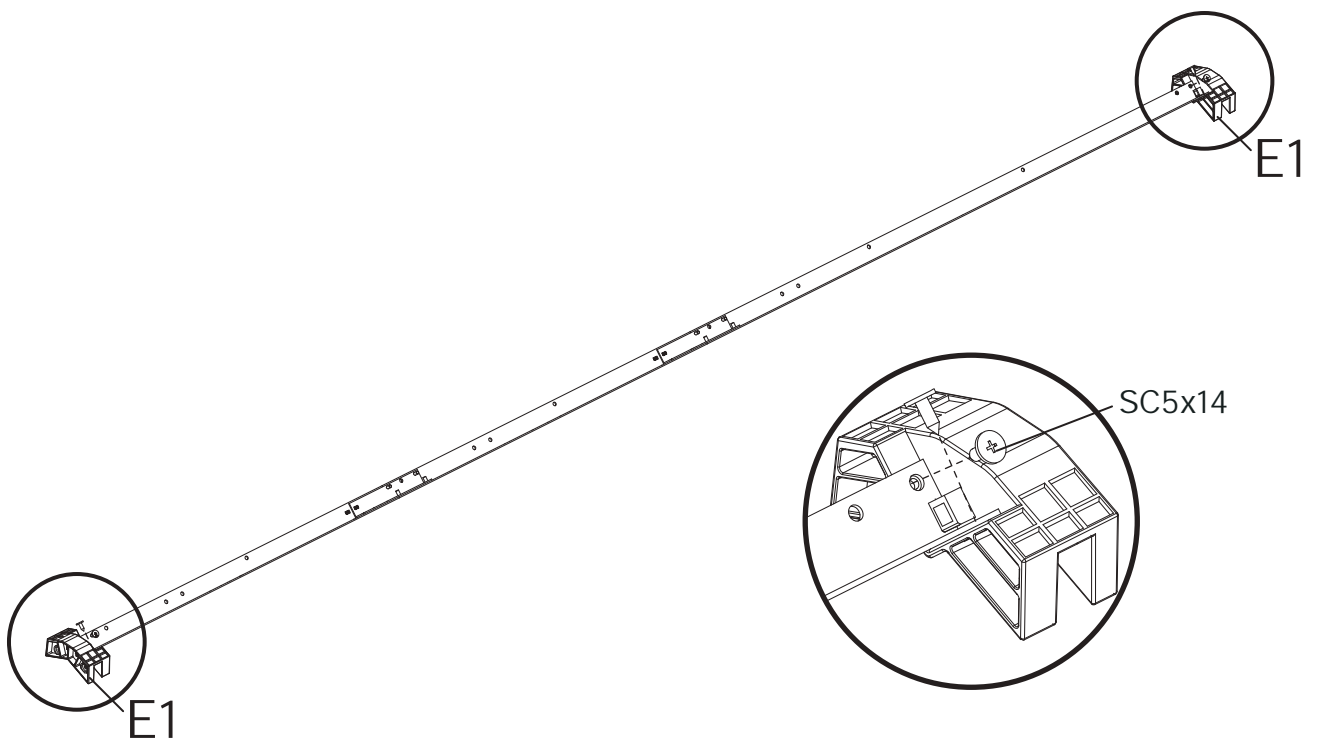
E2

E3

E3


SC5x12
8 pcs


STEP 33



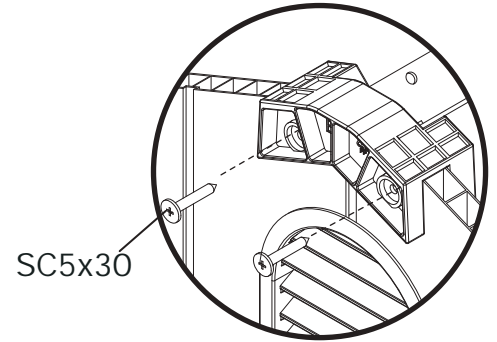
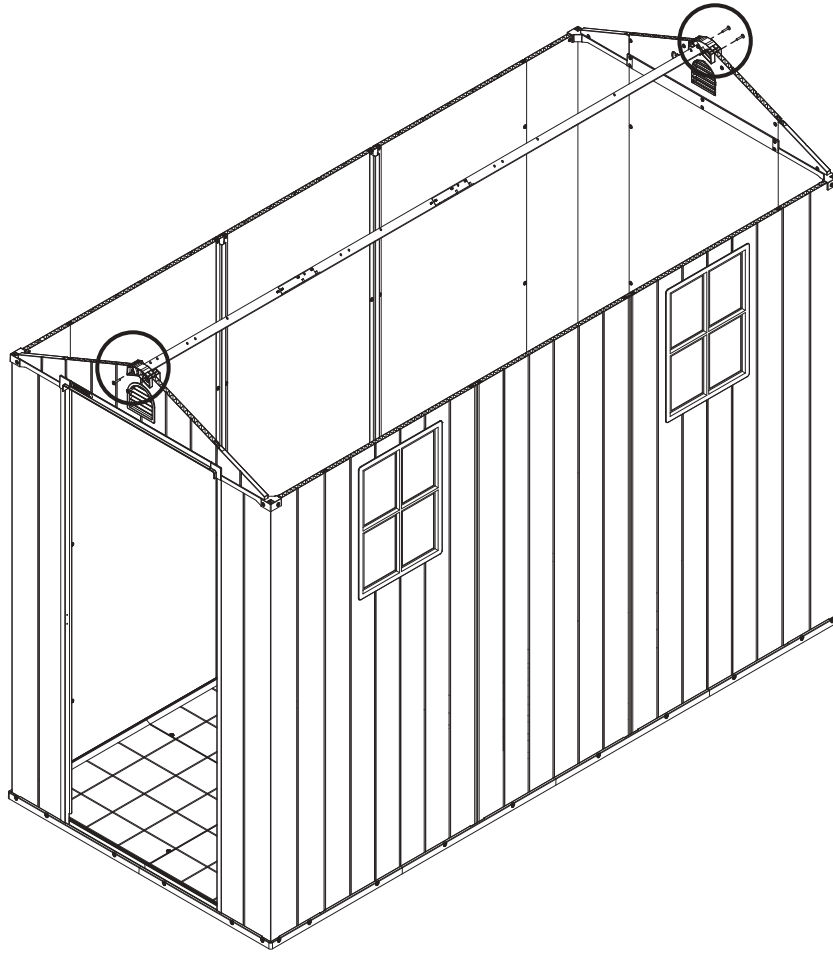
SC5x14

E1

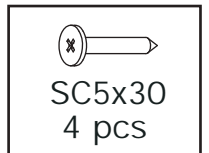
E1


SC5x14
4 pcs

STEP 34

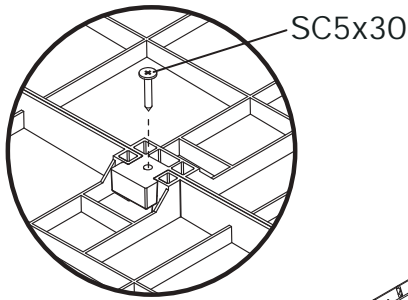
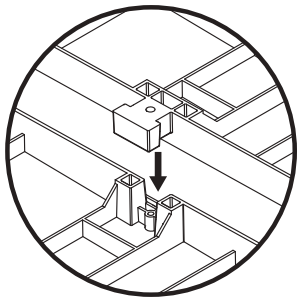


SC5x30

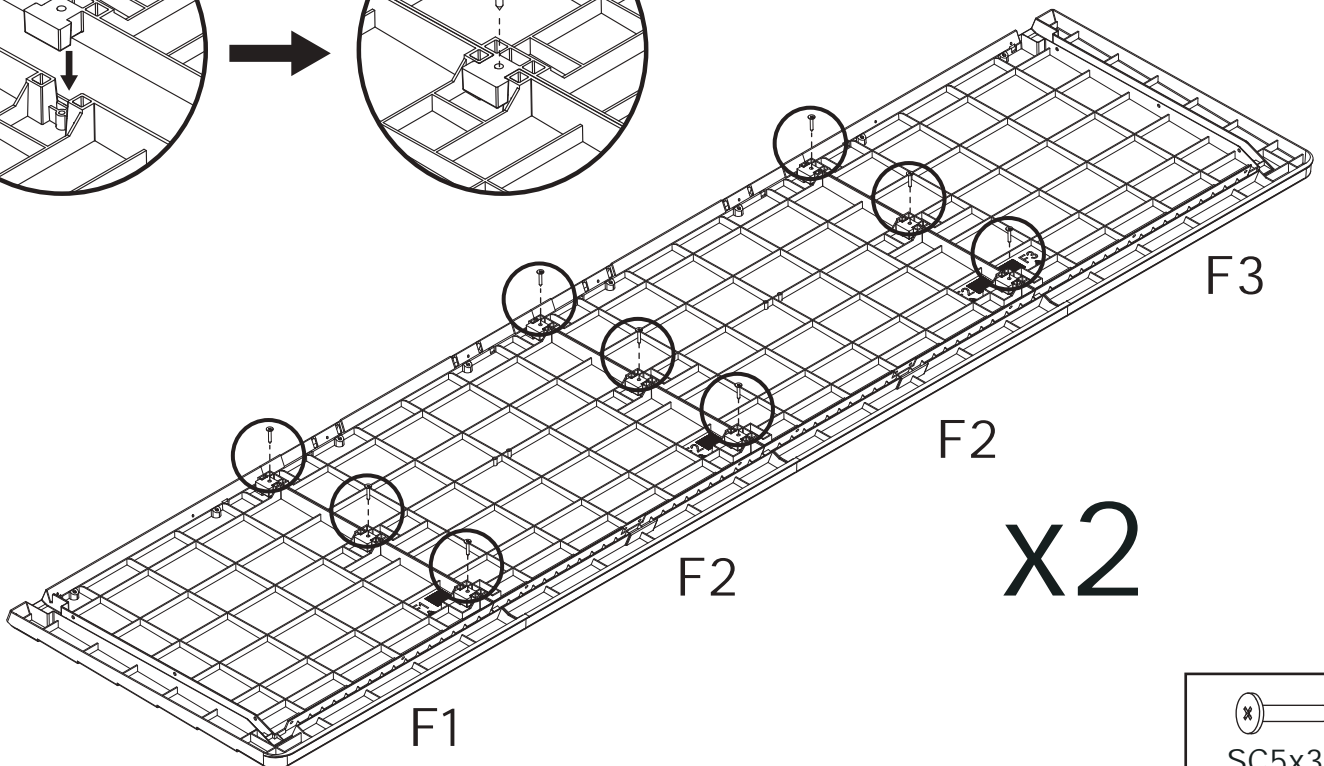


SC5x30
4 pcs

STEP 35



SC5x30



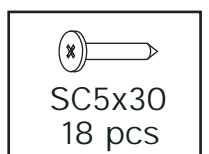
F3

F2

F2

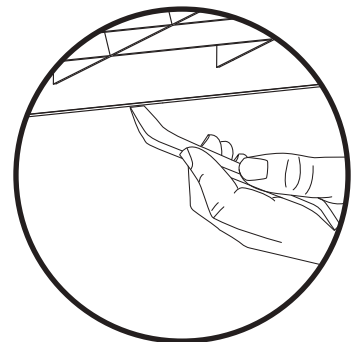
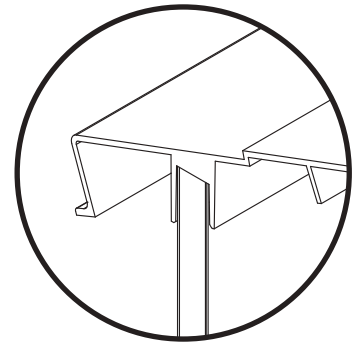
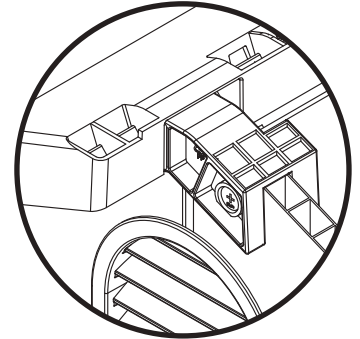
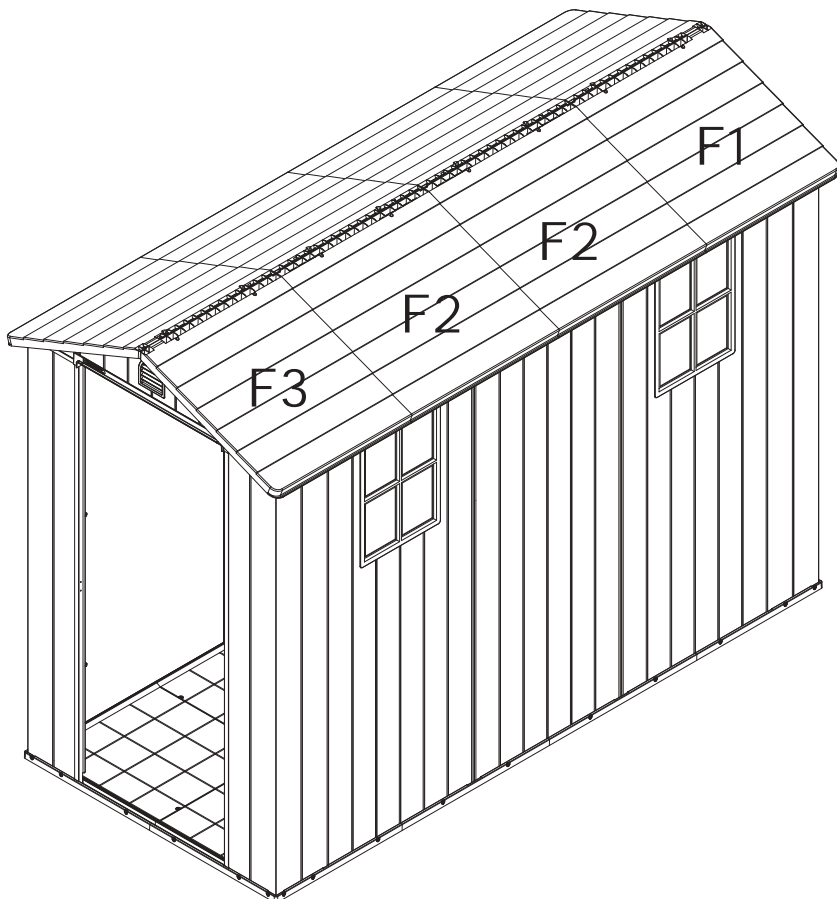
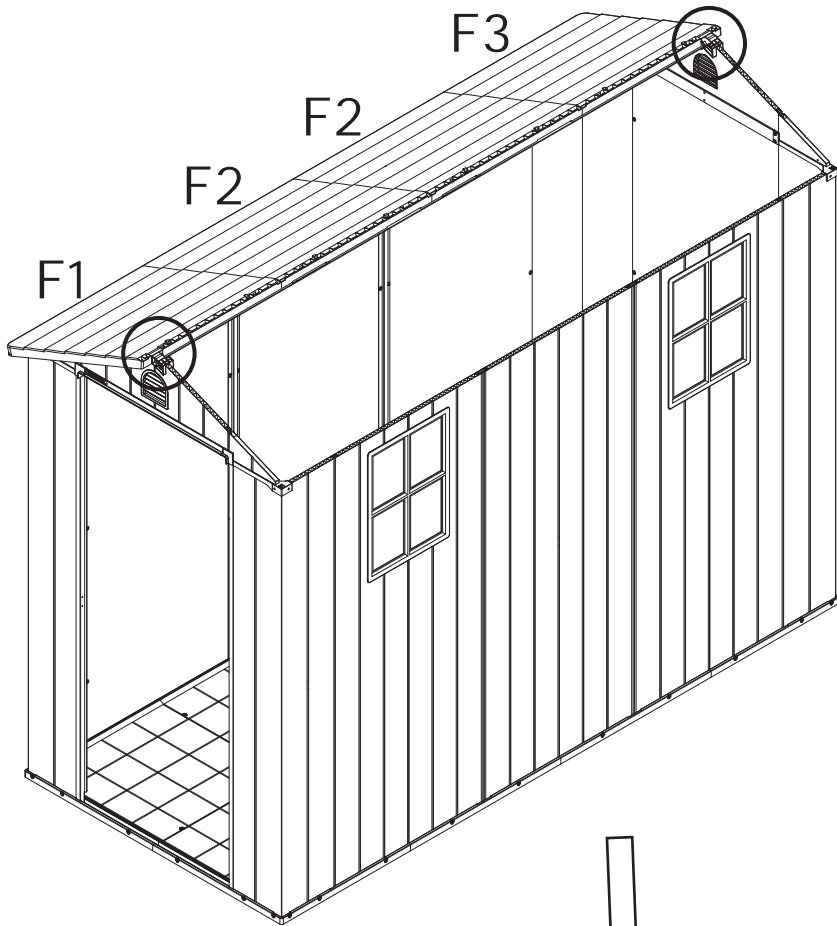
F1

x2



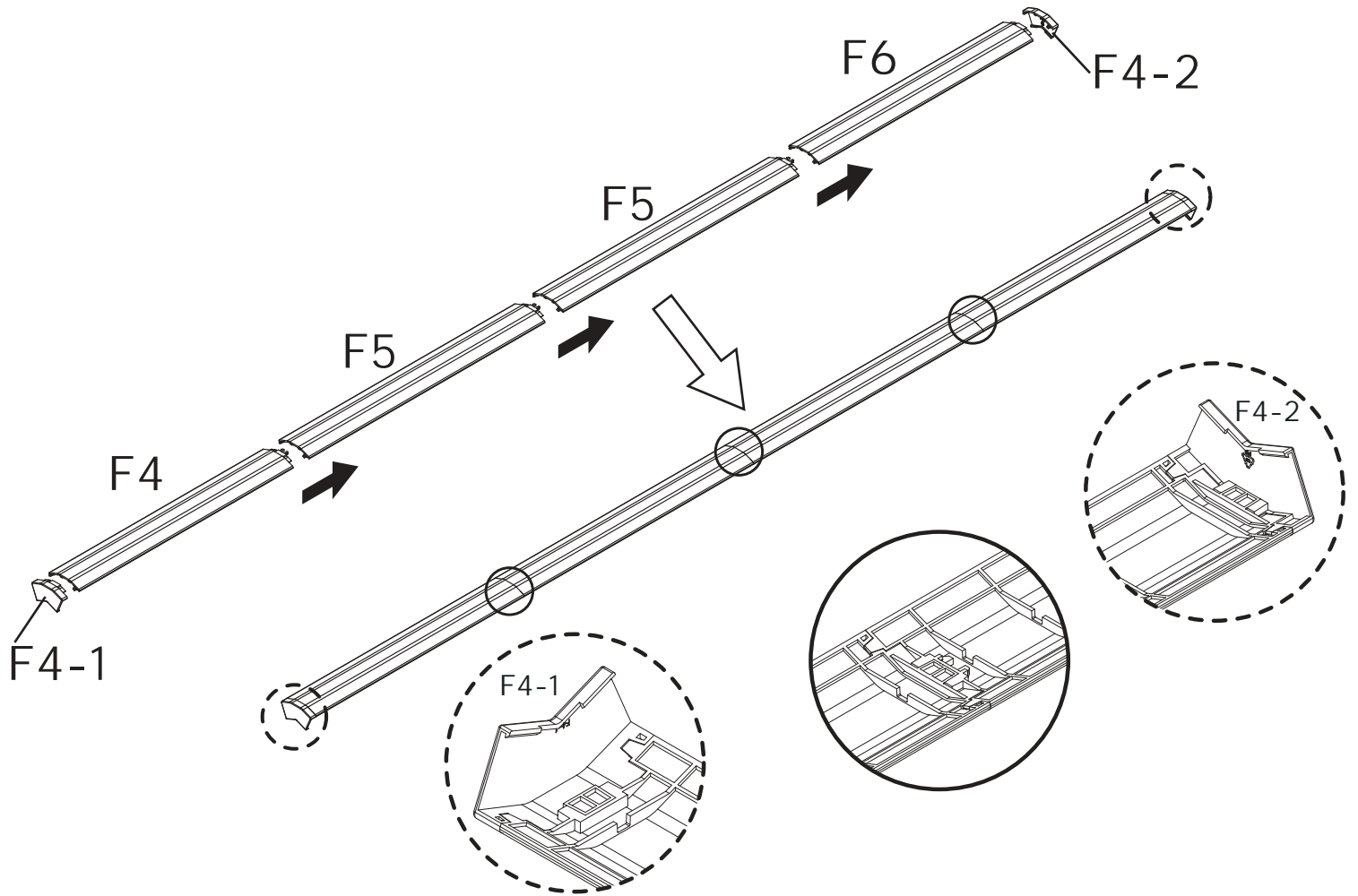
SC5x30
18 pcs

STEP 36

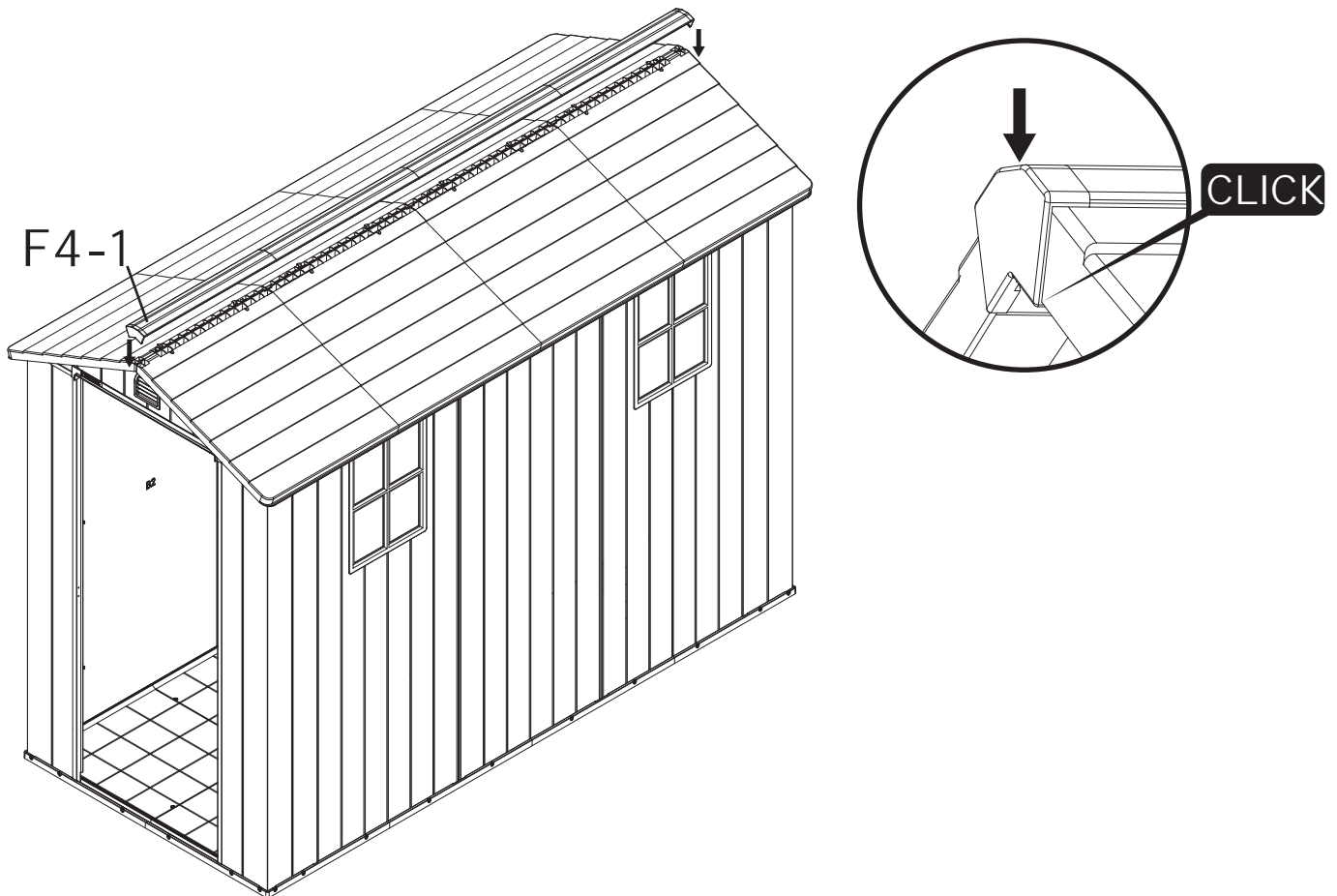


Adjusting roof and wall joints with a scraper.

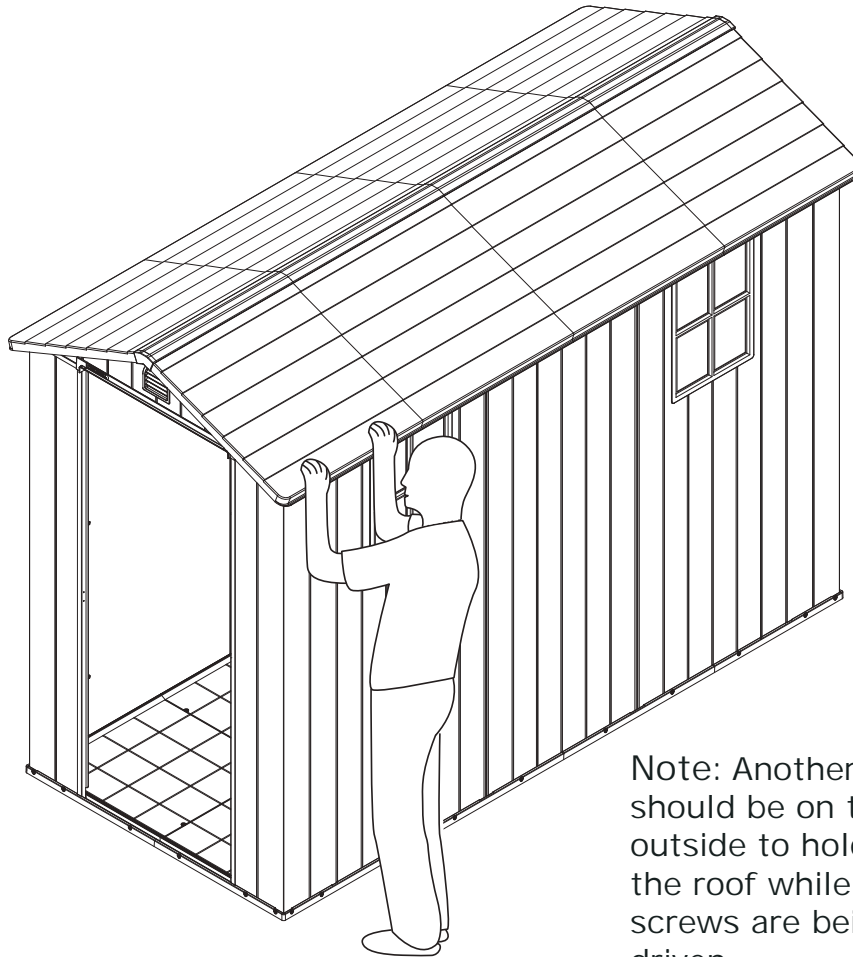
STEP 37



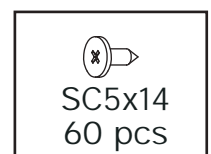
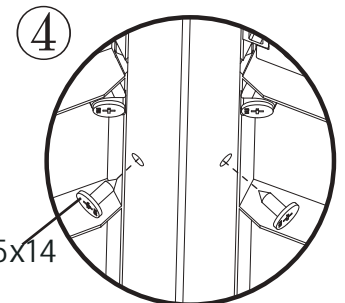
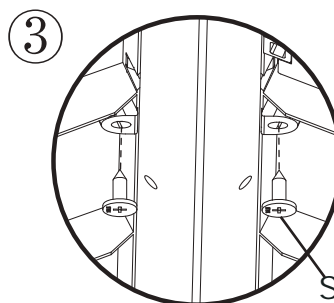
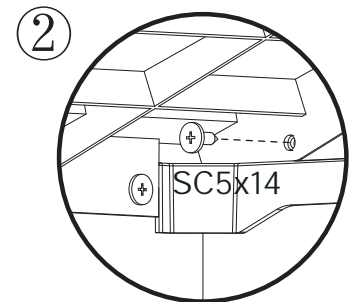
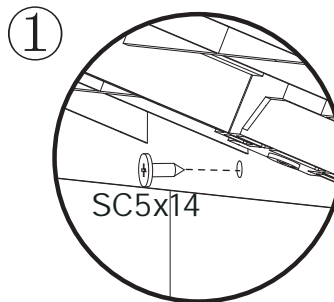
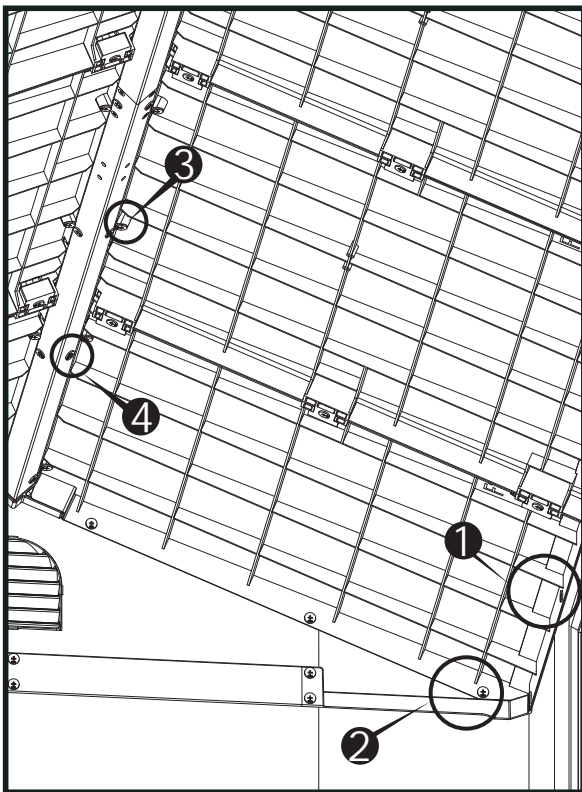
STEP 38



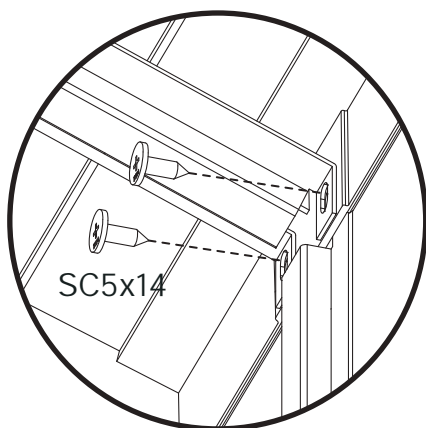
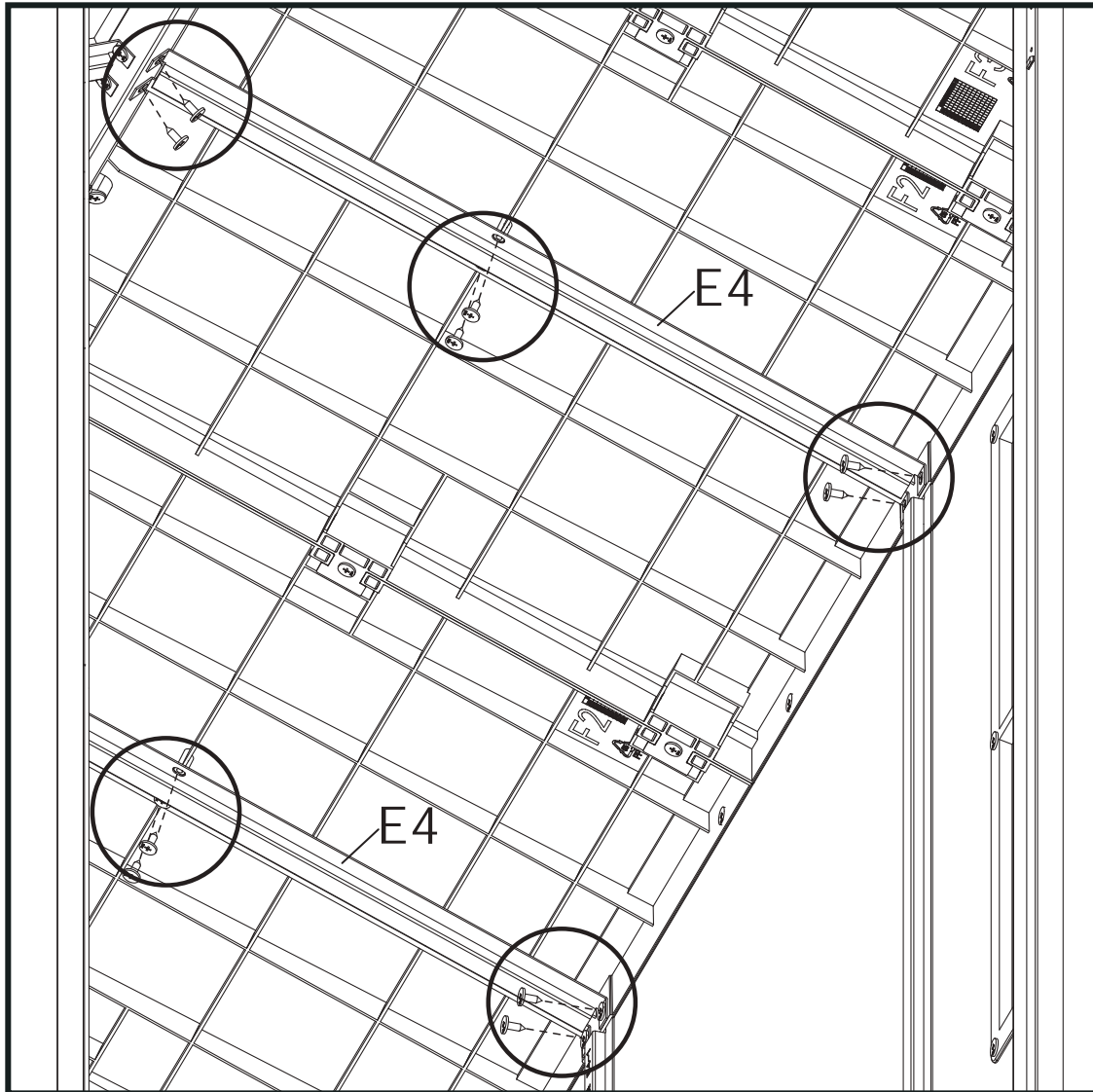
STEP 39



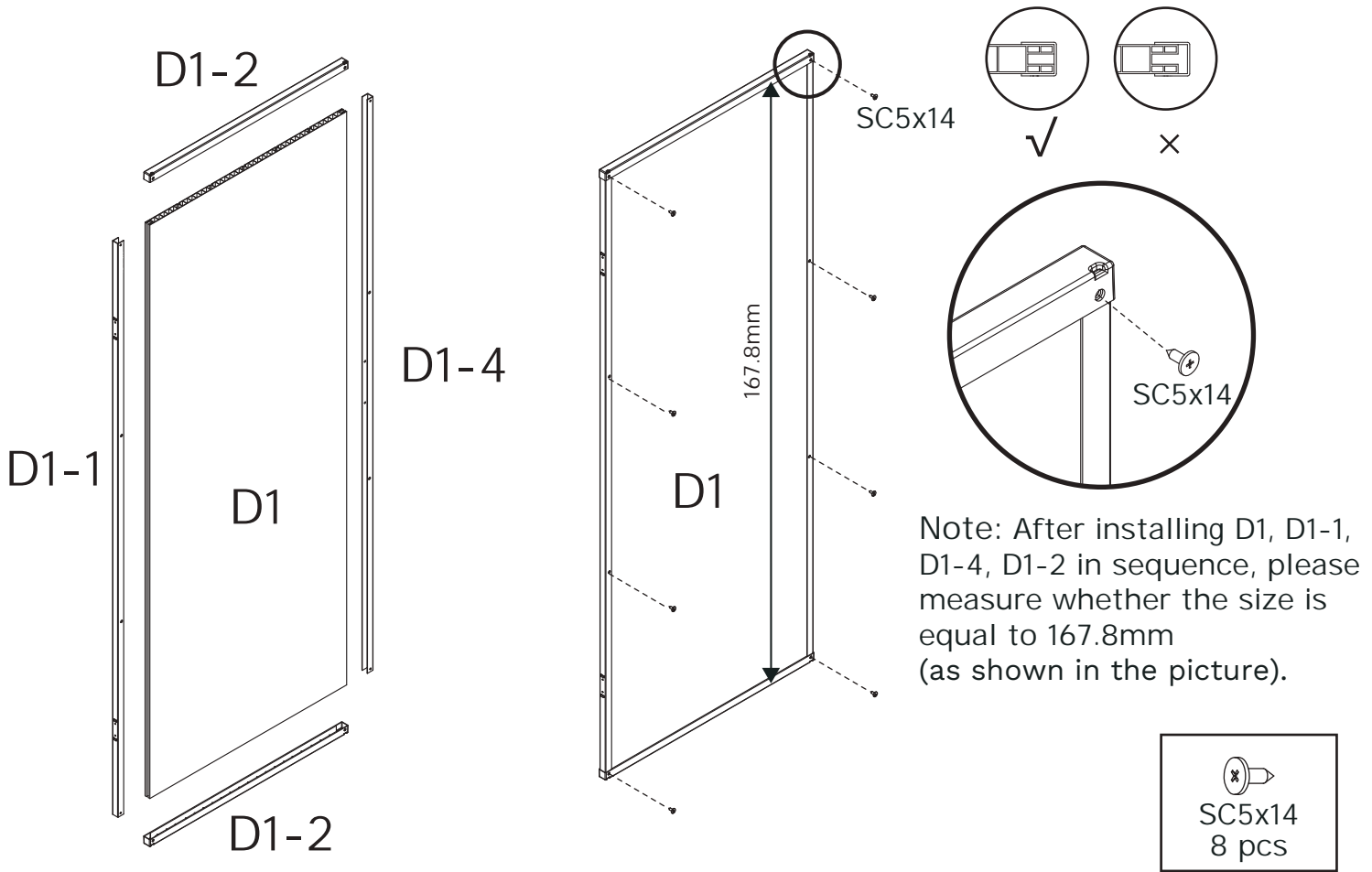
Note: Another person should be on the outside to hold down the roof while the screws are being driven.



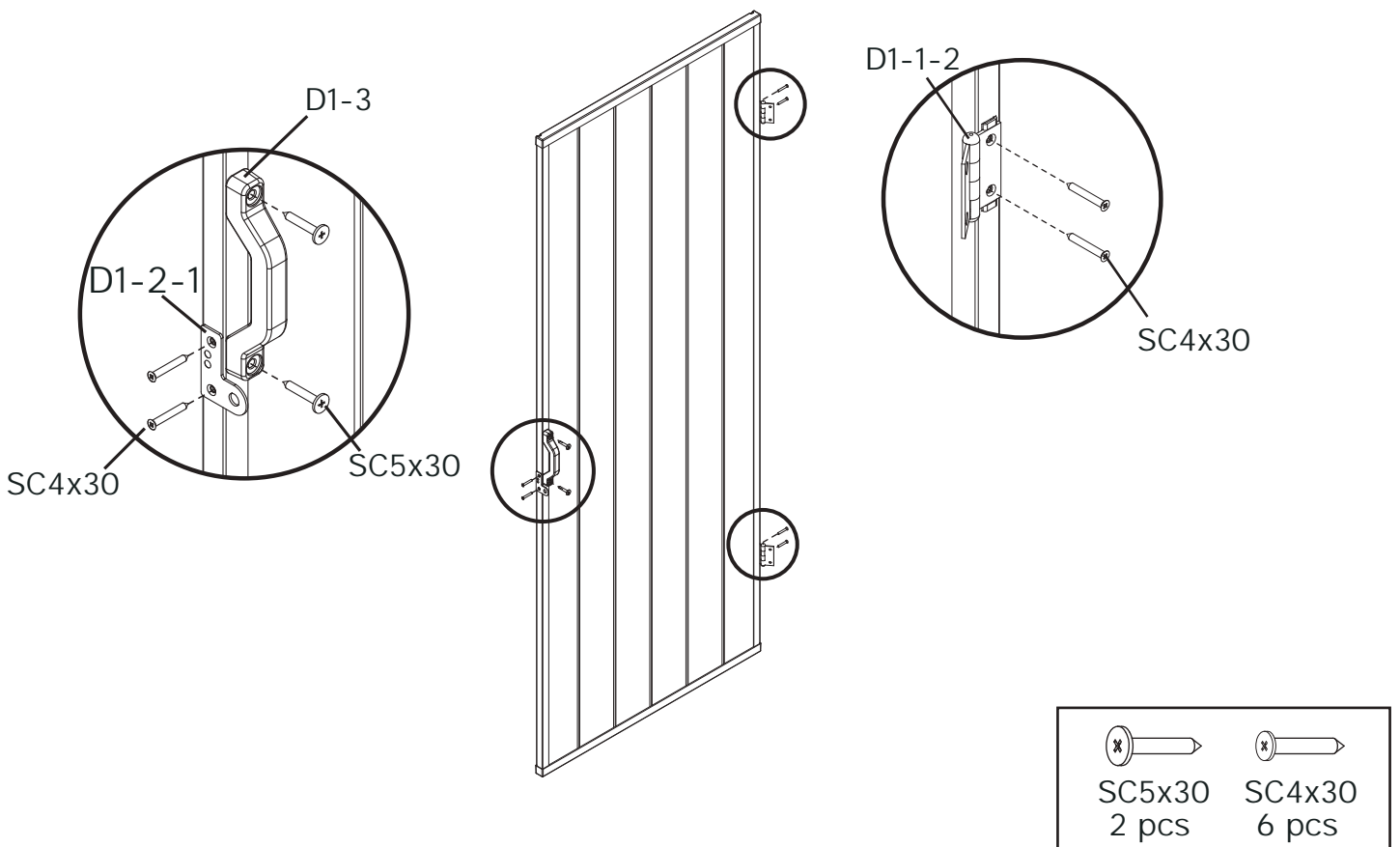
STEP 40



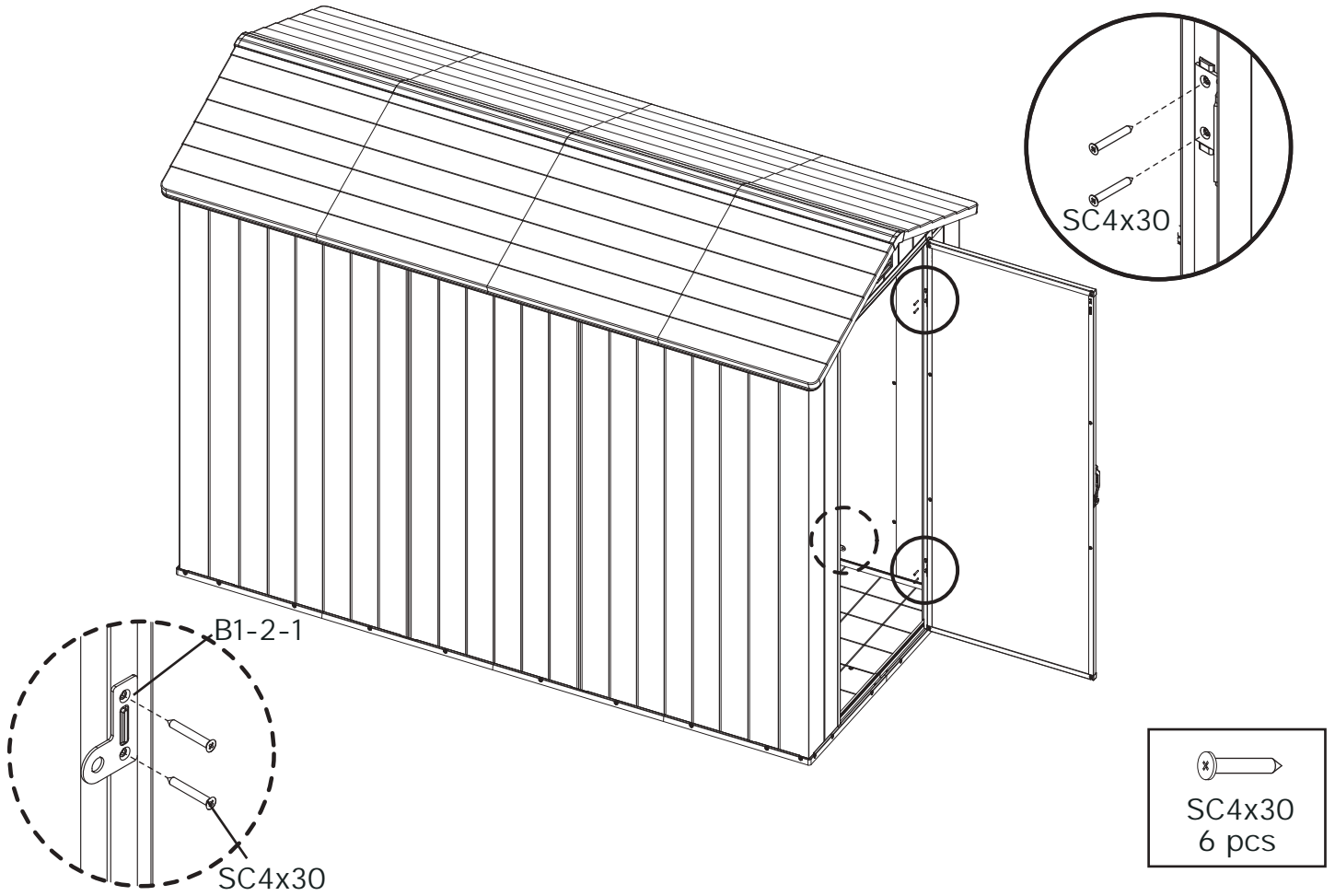
STEP 41



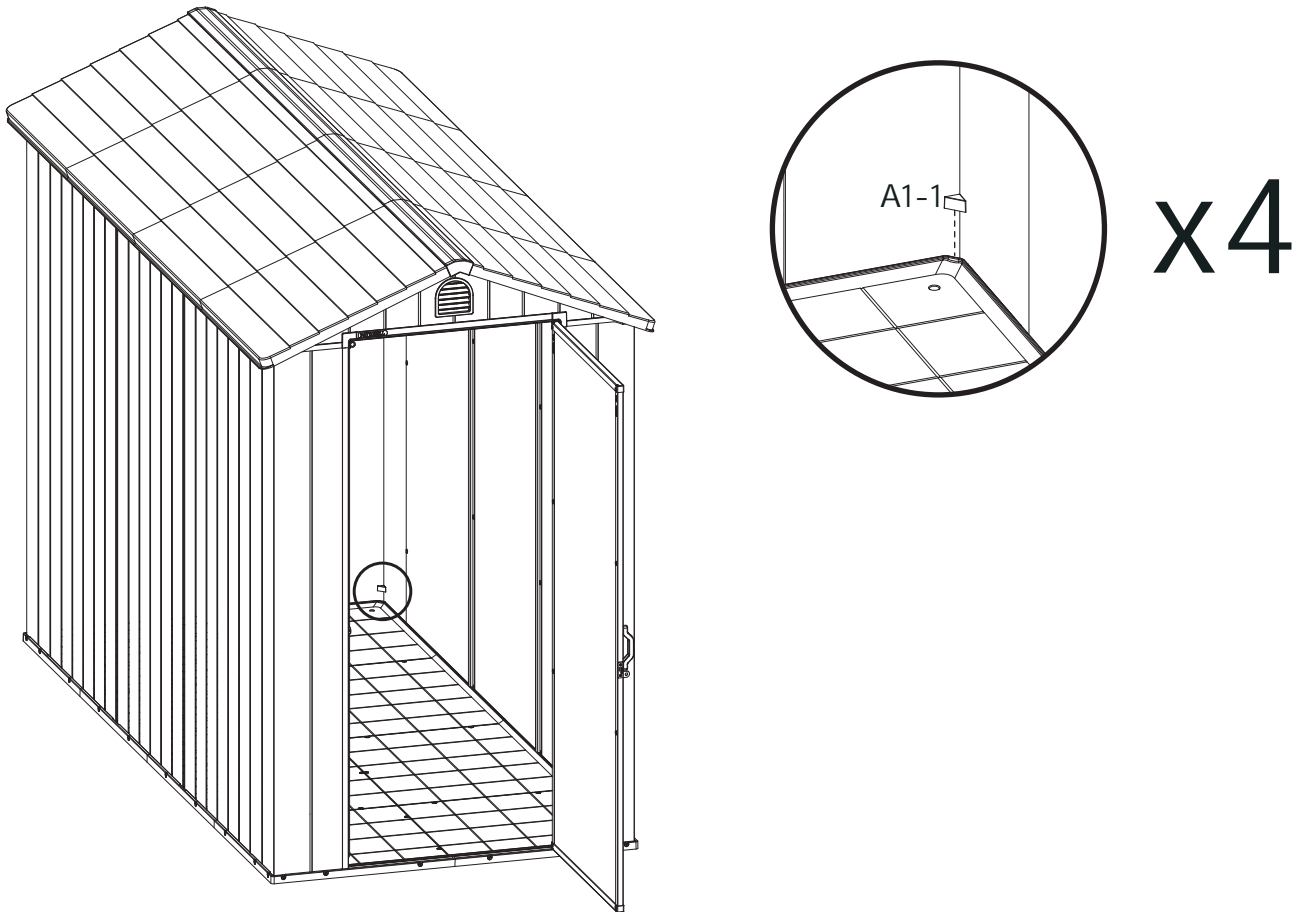
STEP 42



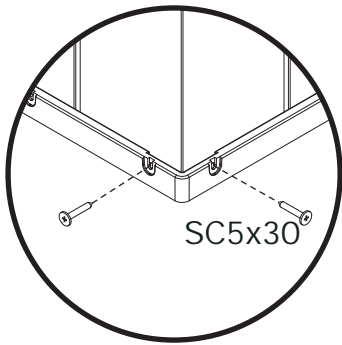
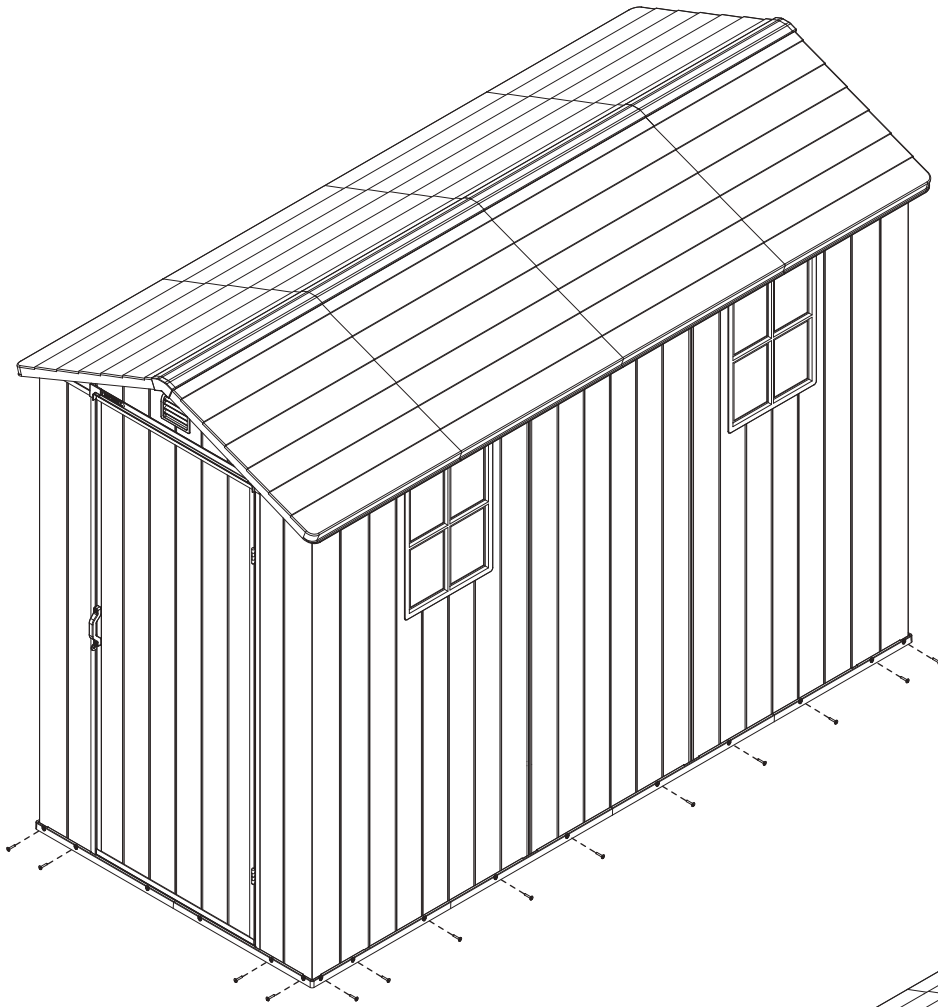
STEP 43



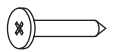
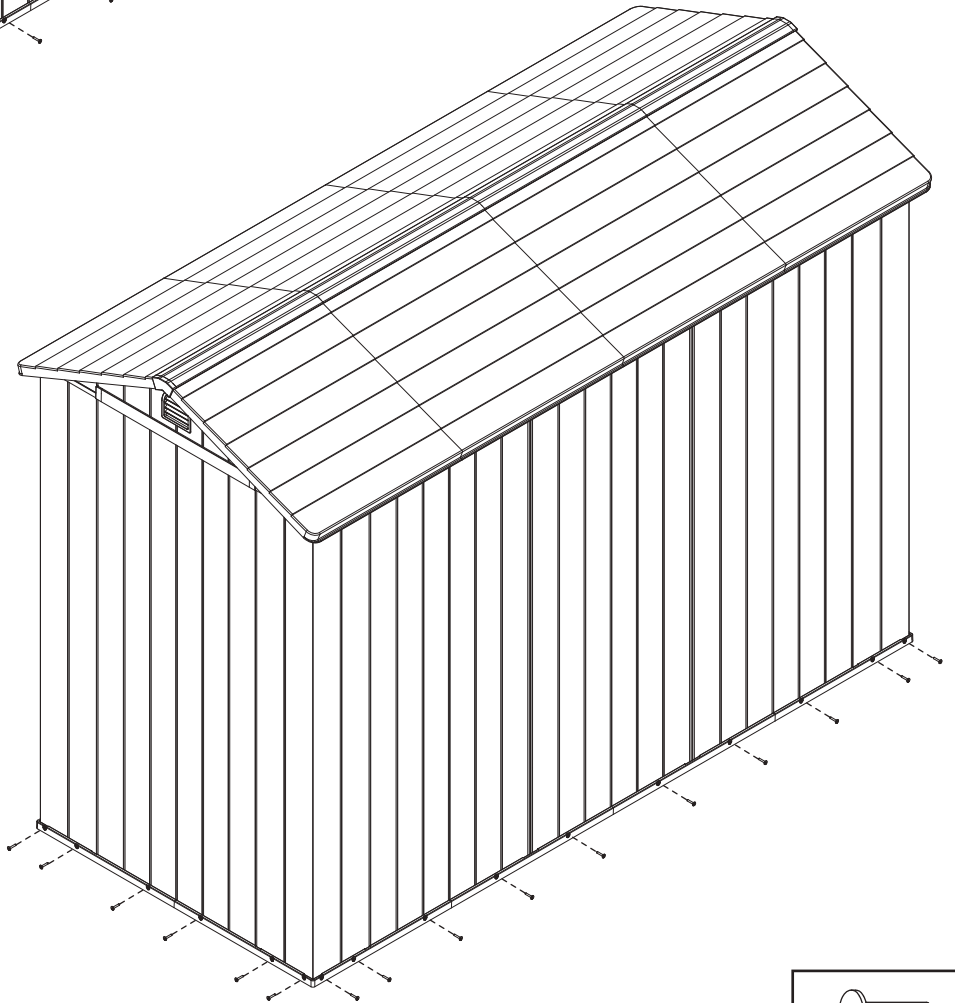
STEP 44



STEP 45



SC5x30



SC5x30
30 pcs

CARE & SAFETY

- In case of fire, do not attempt to extinguish any burning polypropylene with water
- Unsuitable for storage of flammable or corrosive substances.
- It is of utmost importance to assemble all of the parts according to the directions. Do not skip any step.
- Please consult your local authorities if any permits are required to erect shed.
- Periodically check shed to assure that it remains stable and that the site remains level.
- It is highly recommended to secure the shed to an immovable object or to the ground by drilling holes in the floor at the pre-marked locations and inserting proper screws into the ground (size: 1.9"-3" ,screws are not included).
- Wear safety-goggles and always follow the manufacturer's instructions when using power tools.
- Wash shed with garden hose or a mild detergent solution. Using a stiff brush or abrasive cleaner could damage shed.
- Hot items such as recently used grills, blowtorches, etc. must not be stored in the shed.
- Heavy articles should not be leaned against the walls, as this may cause distortion.
- Keep roof clean of snow and leaves. Heavy amounts of snow on roof can damage the shed making it unsafe to enter.
- Although wind direction varies, it is an important factor when taking into account where to place your shed. Therefore, it is recommended to reduce wind exposure of the shed in general, and the door side in particular.
- Keep doors closed and locked to prevent wind damage.
- Do not stand on the roof.