

ASSEMBLY INSTRUCTIONS

---

# RESIN GARDEN SHED

---

SKU: T-PS23-0421A

BE  
YOUR  
LIFE BUILDER

[www.patiowell.com](http://www.patiowell.com)



**Patiowell**  
Resin Garden House  
Installation Tutorial  
[https://www.patiowell.com/  
pages/video-T-PS23-0421A](https://www.patiowell.com/pages/video-T-PS23-0421A)

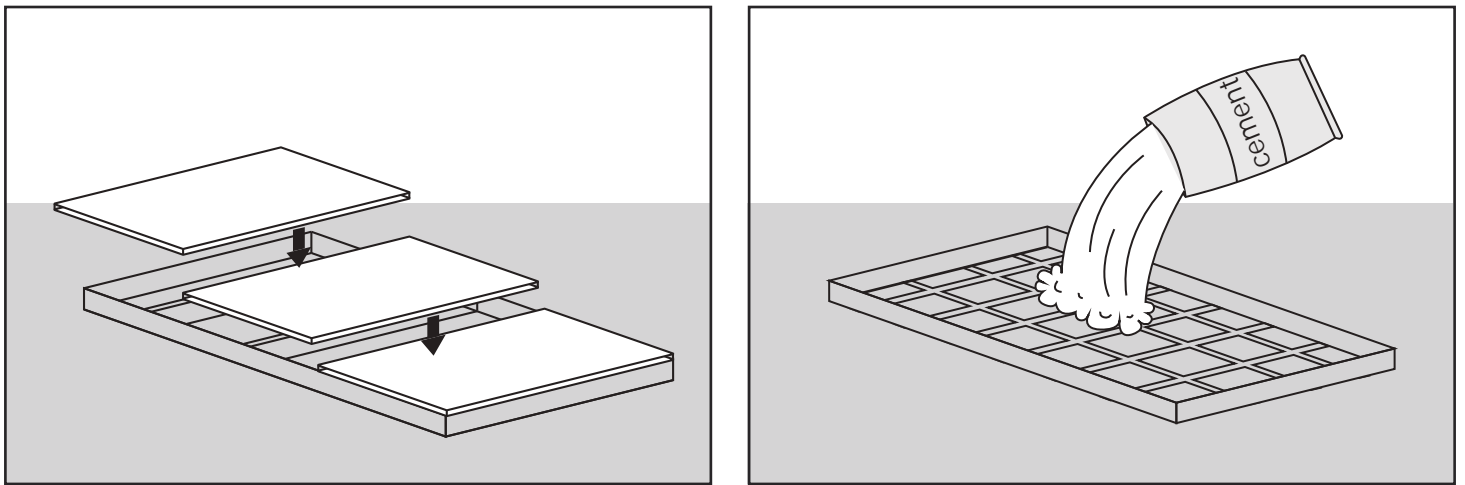
 [saleservice@patiowell.com](mailto:saleservice@patiowell.com)

# SITE PREPARATION

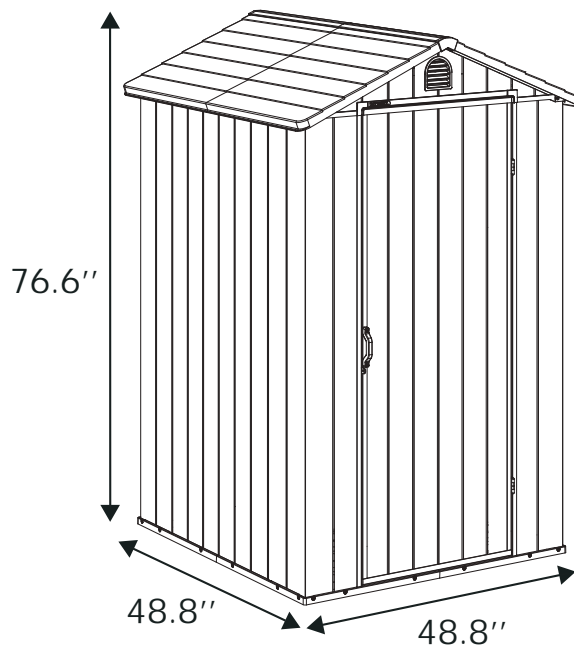
Level the ground surface.



Recommendation: Construct a wooden or concrete base as a foundation.



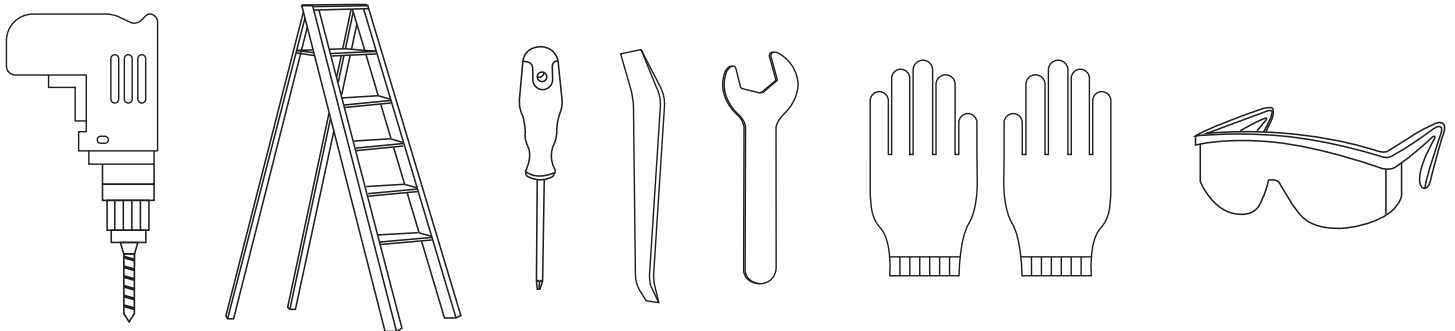
The external dimensions of the product :



# BEFORE STARTING ASSEMBLY

Remove all of the pieces from the 1 package and spread them out on the ground. Before installation, please check the type and quantity of parts first. It is recommended to use a clean work surface to spread the parts out and for pre-assembly steps. Review all instructions before you begin, continue to refer to instructions during assembly. Be sure to follow all steps thoroughly. Please prepare these components in advance at the beginning of each stage.

## REQUIRED TOOLS



## CAUTION

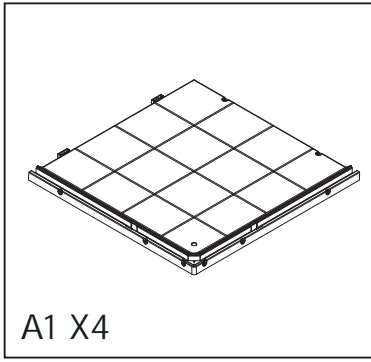
Some parts have steel edges. Please be careful when handling components. Always wear work gloves, eye protection and long sleeves when assembling or performing any maintenance on your shed. Do not attempt assembly on days with strong winds or low temperatures.



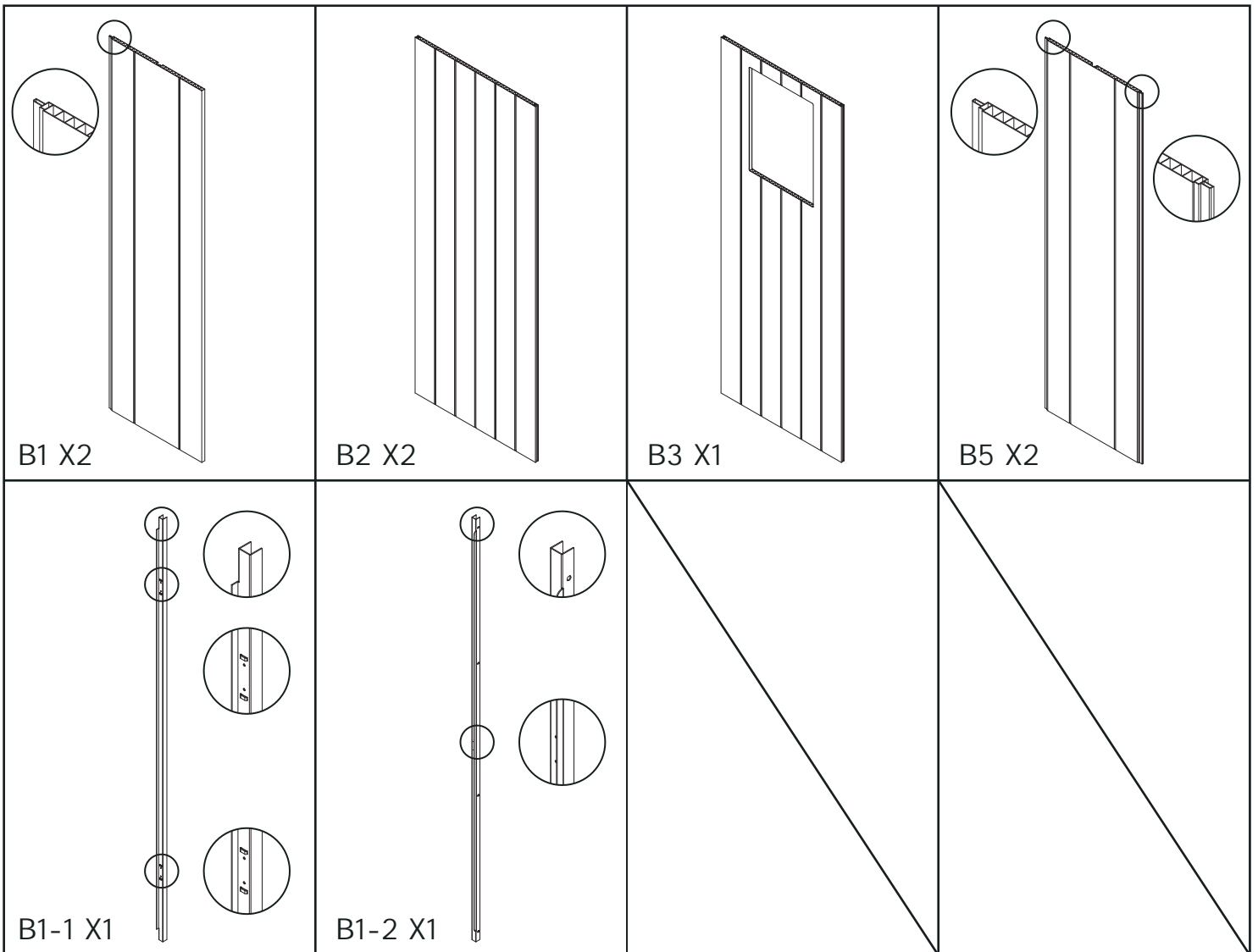
Requires two people and takes 1-2 hours for Installation. Recommended to wear gloves to avoid scratches. Please read the manual carefully before installation.

DO NOT RETURN YOUR UNIT  
TO THE STORE  
**Contact us first**  
saleservice@patiowell.com

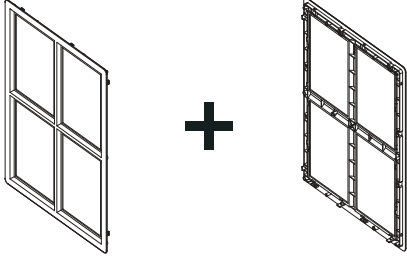
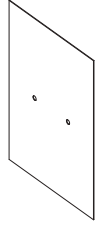
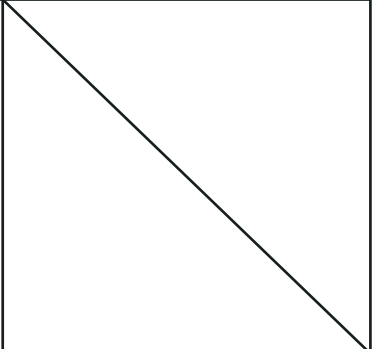
# FLOOR PARTS



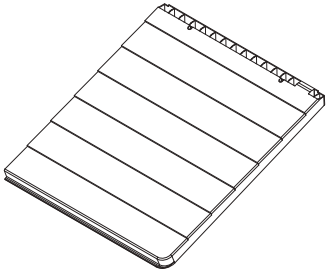
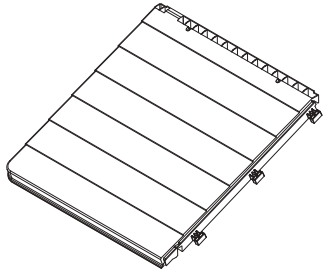
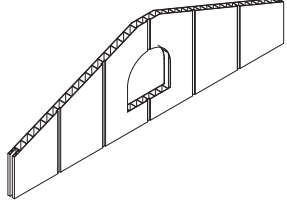
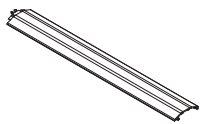
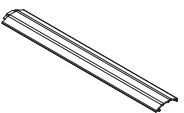
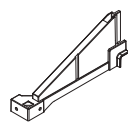
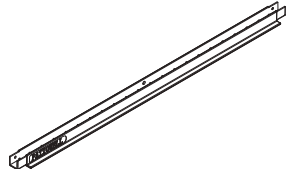
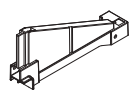
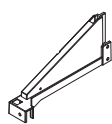
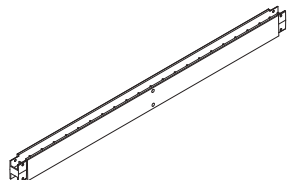
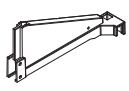
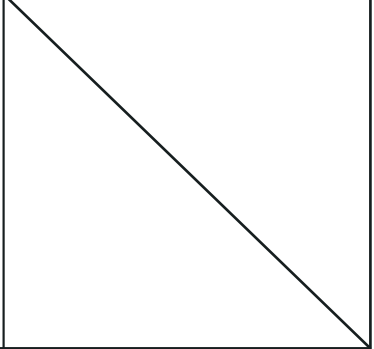
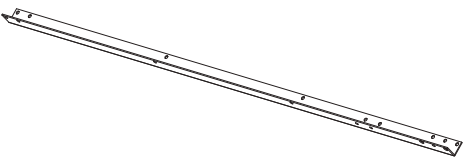
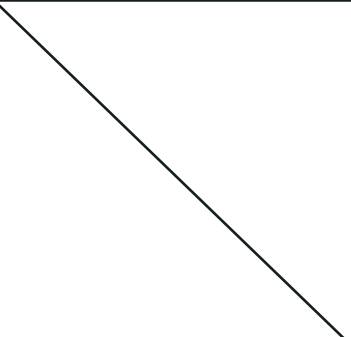
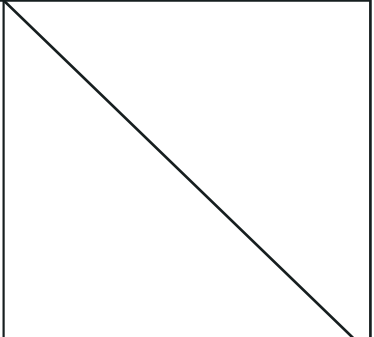
# WALL PARTS



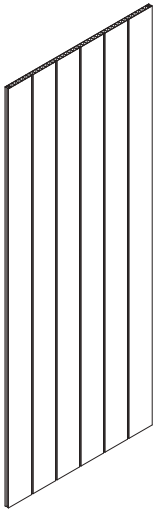



# WINDOW PARTS

 <p>W1 X2</p>	 <p>W2 X1</p>	
--	---	---

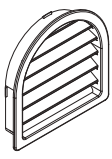


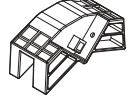

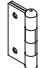
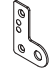


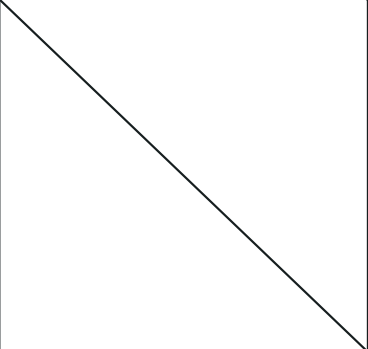
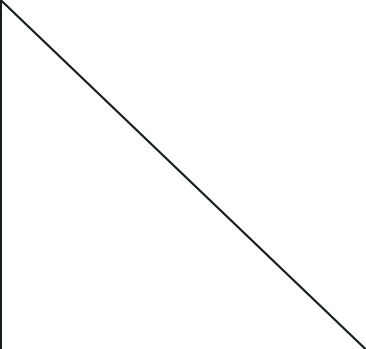
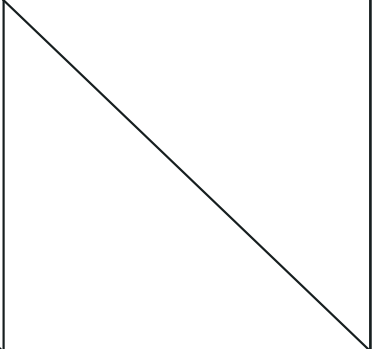
# ROOF PARTS

 <p>F1 X2</p>	 <p>F3 X2</p>	 <p>C7 X2</p>	 <p>F4 X1</p>
 <p>F6 X1</p>	 <p>C1 X1</p>	 <p>C2 X1</p>	 <p>C3 X1</p>
 <p>C4 X1</p>	 <p>C5 X1</p>	 <p>C6 X1</p>	
 <p>E2 X1</p>			

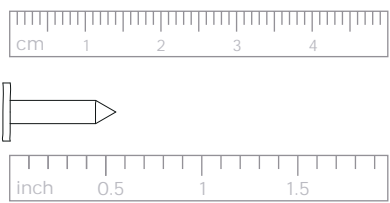
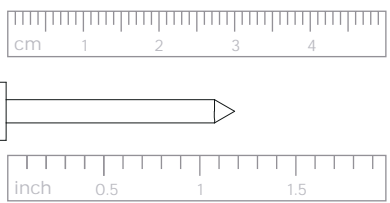
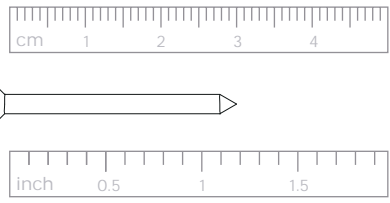
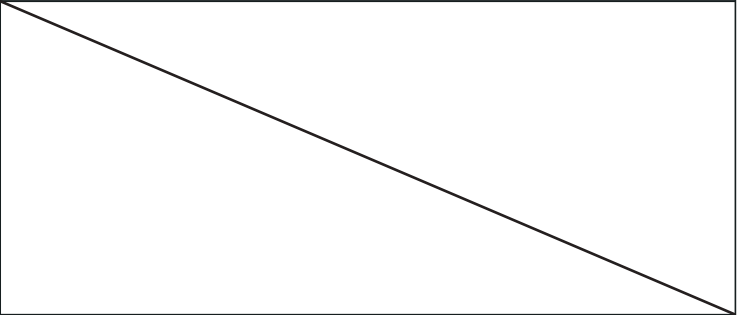
# DOOR PARTS

 <p>D1 X1</p>	 <p>D1-4 X1</p>	 <p>D1-1 X1</p>	 <p>D1-2 X2</p>
--	--	--	--

# ACCESSORIES

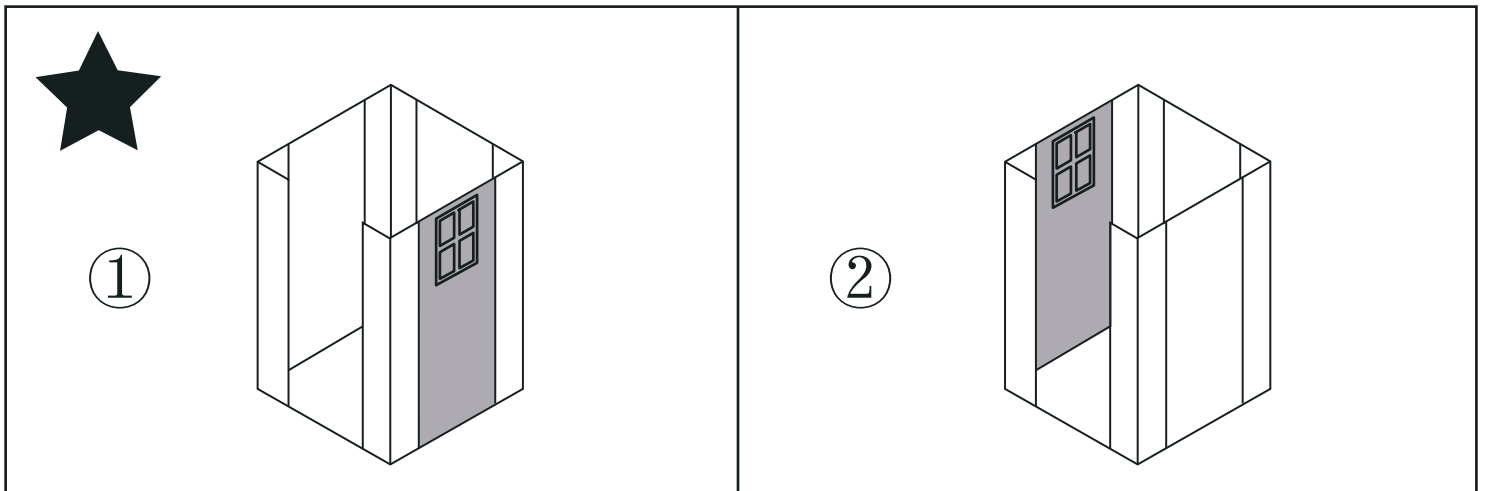
 <p>C7-1 X2</p>	 <p>F4-1 X1</p>	 <p>F4-2 X1</p>	 <p>E1 X2</p>
 <p>D1-3 X1</p>	 <p>D1-1-2 X2</p>	 <p>D1-2-1 X1</p>	 <p>B1-2-1 X1</p>
 <p>A1-1 X4</p>			

# SCREW

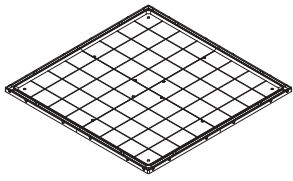
<p>99+2 pcs</p>  <p>SC5x14 M5*14</p>	<p>34+2 pcs</p>  <p>SC5x30 M5*30</p>
<p>12+2 pcs</p>  <p>SC4x30 M4*30</p>	

## CHOOSE THE LOCATION OF THE WINDOW

There are two ways to install wall panels with windows, and our instructions show the first way of installation. (as shown in the picture)

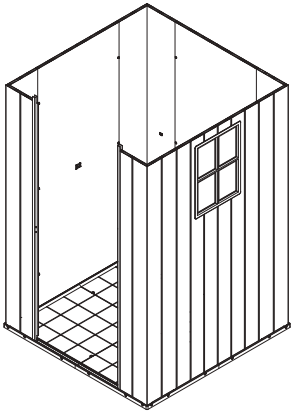


# CONTENTS



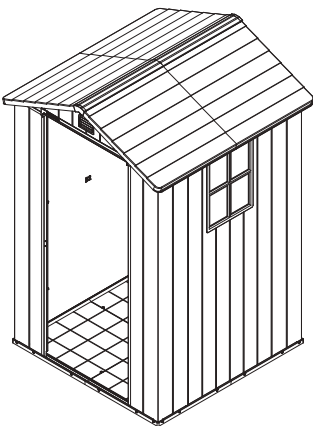
Floor Part Instruction

09-11  
(page)



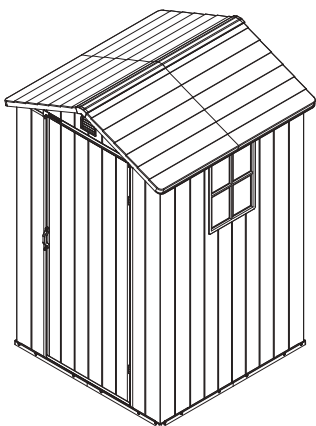
Wall Part Instruction

11-16  
(page)



Roof Part Instruction

17-23  
(page)

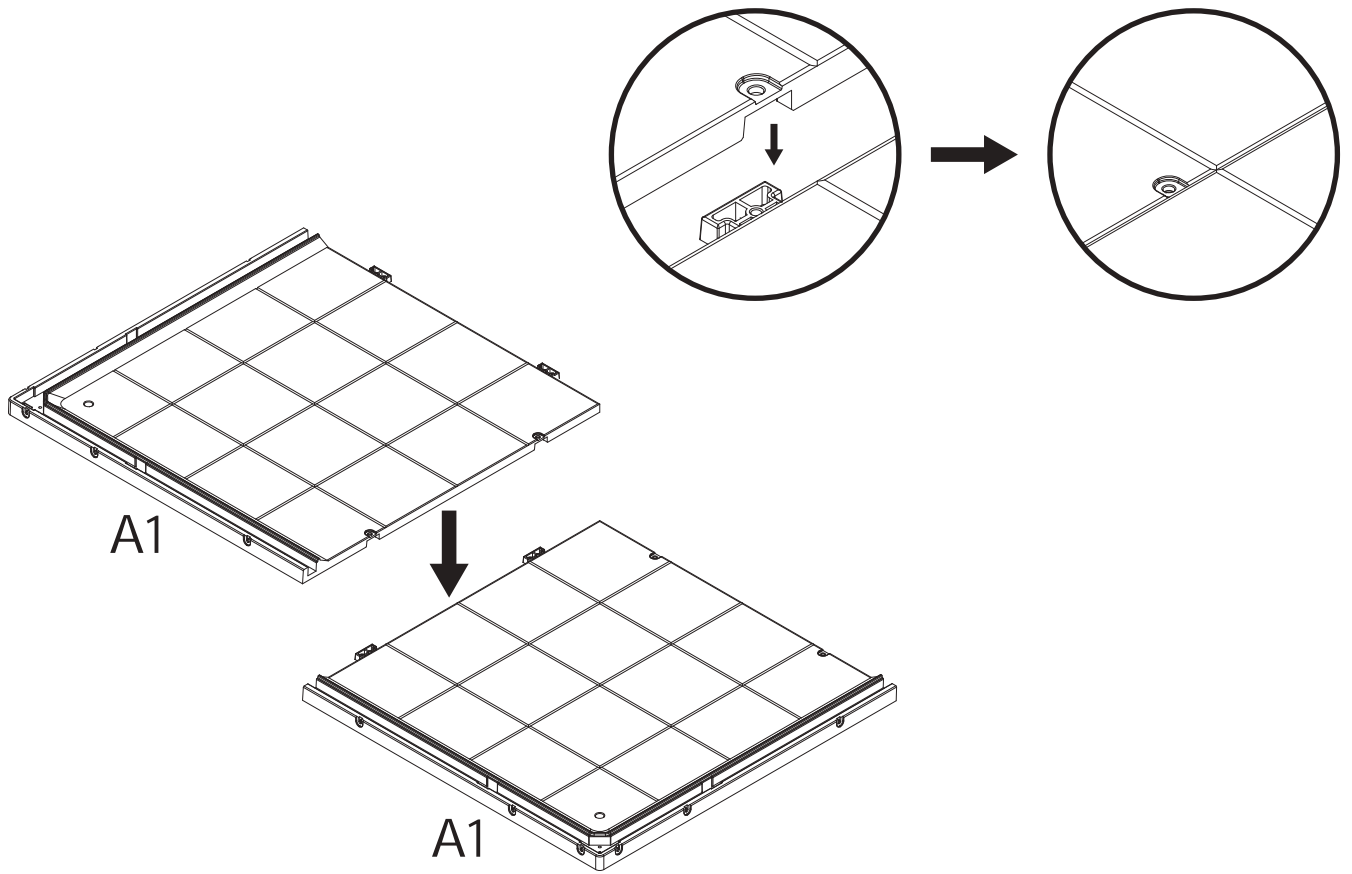


Door Part Instruction

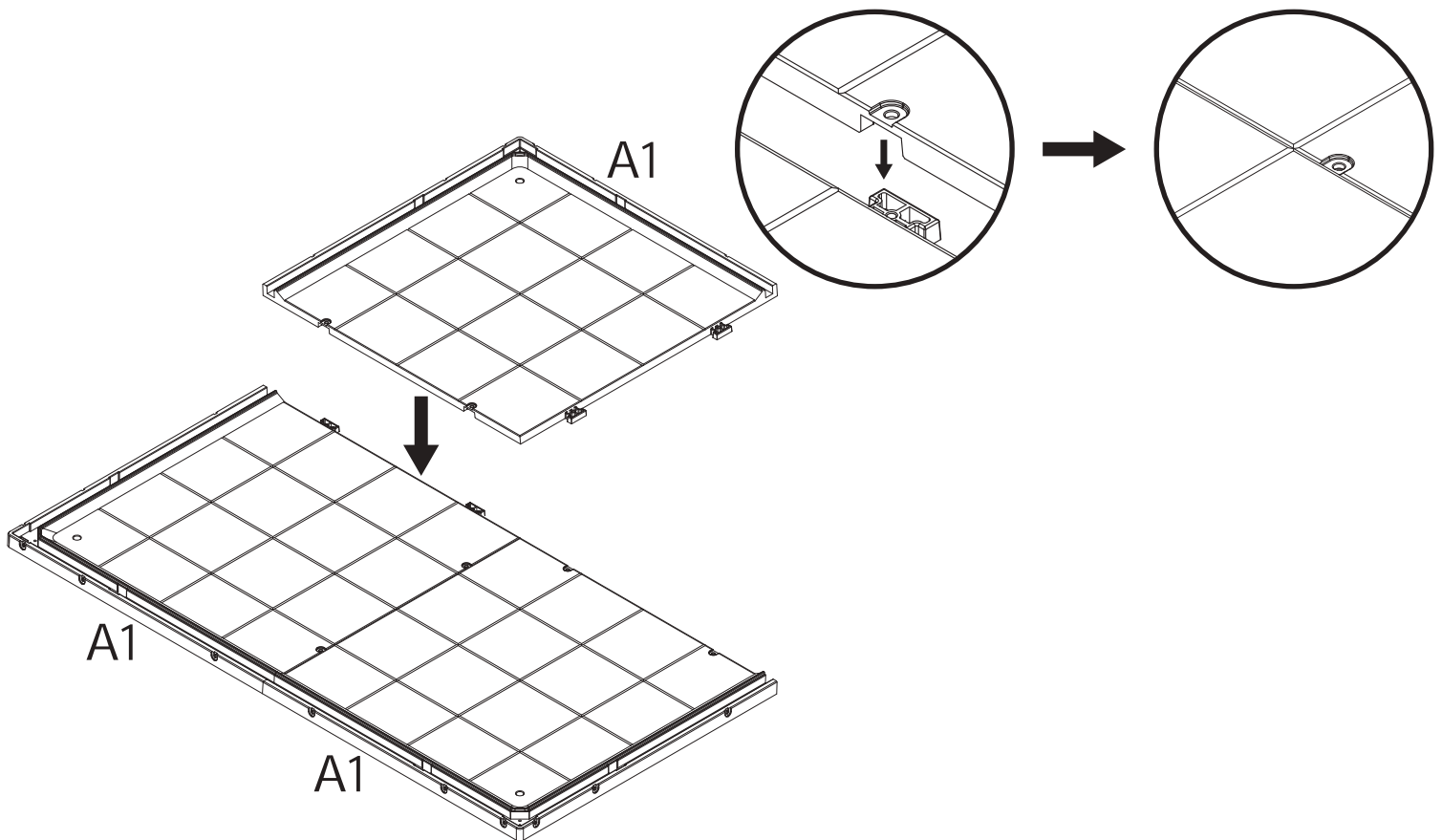
24-26  
(page)



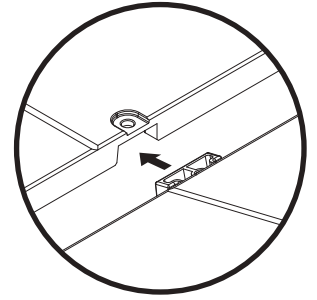
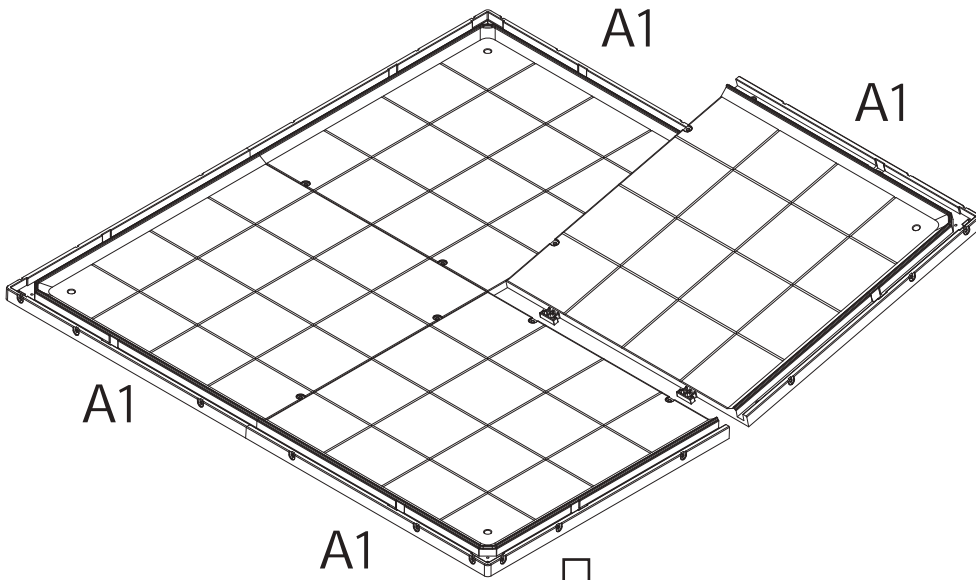
# STEP 1



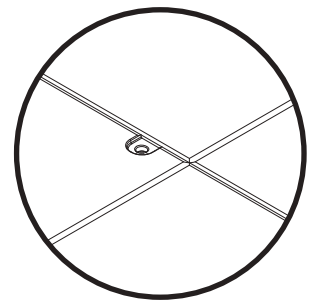
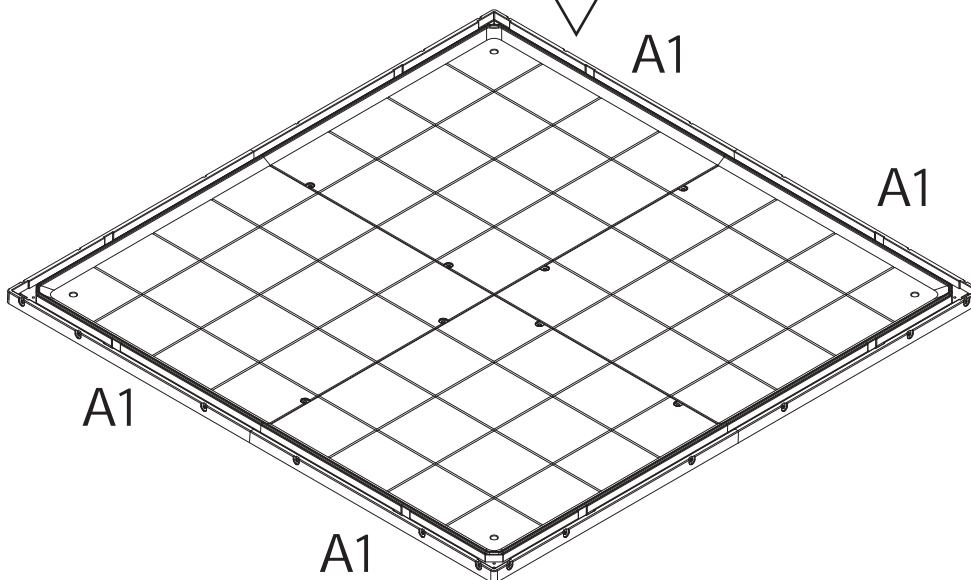
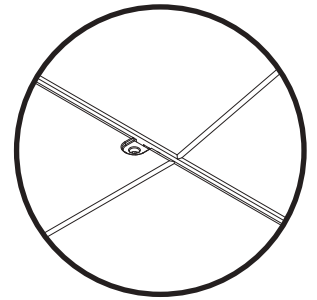
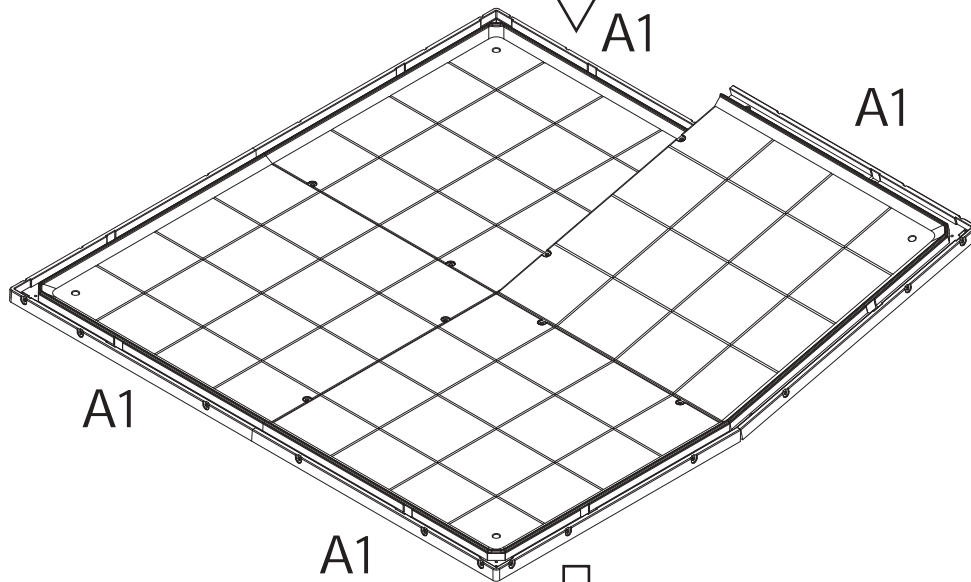
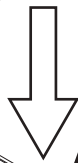
# STEP 2



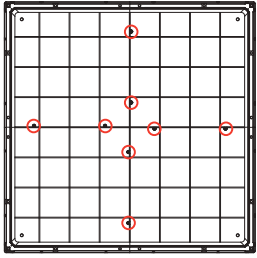
# STEP 3



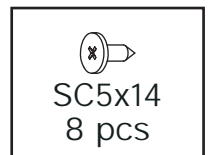
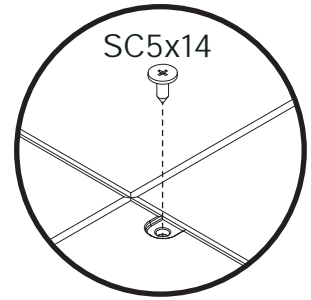
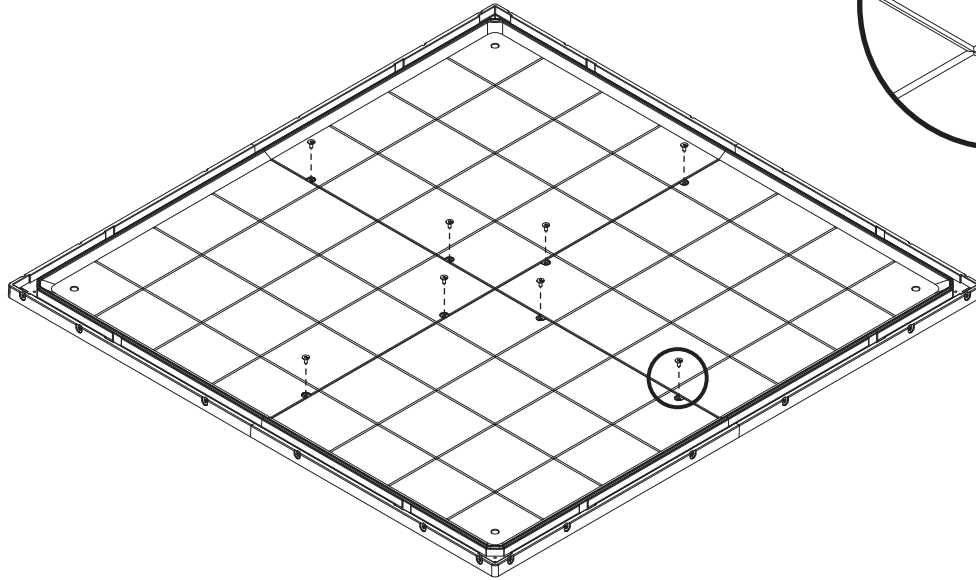
Insert A1 at an angle.



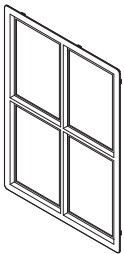
# STEP 4



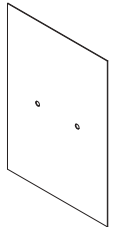
Screw position



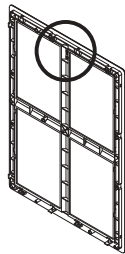
# STEP 5



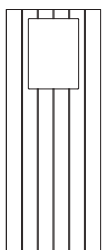
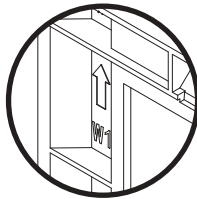
W1



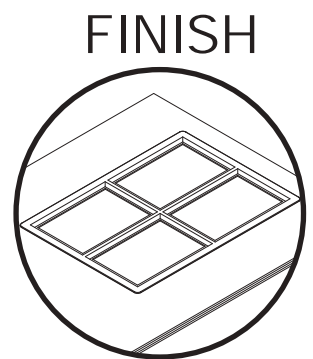
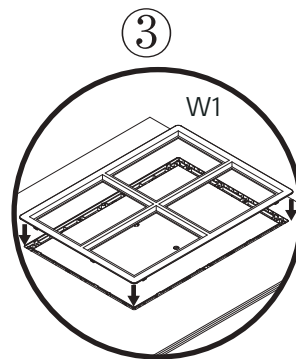
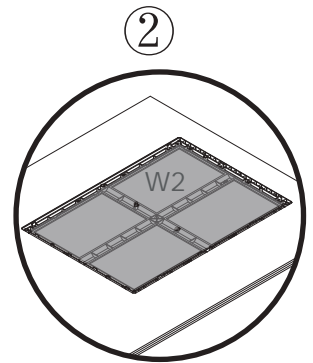
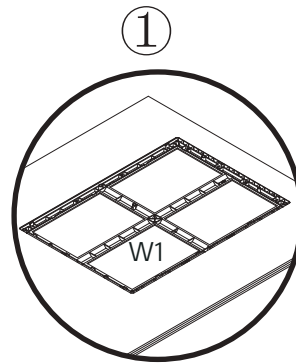
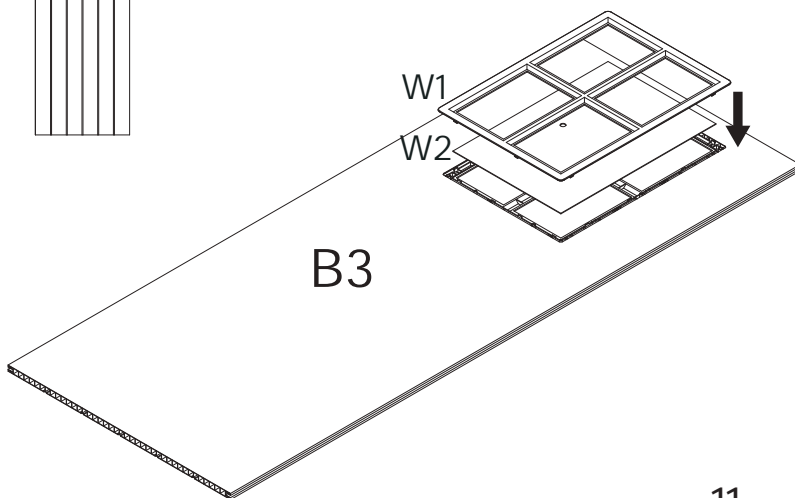
W2



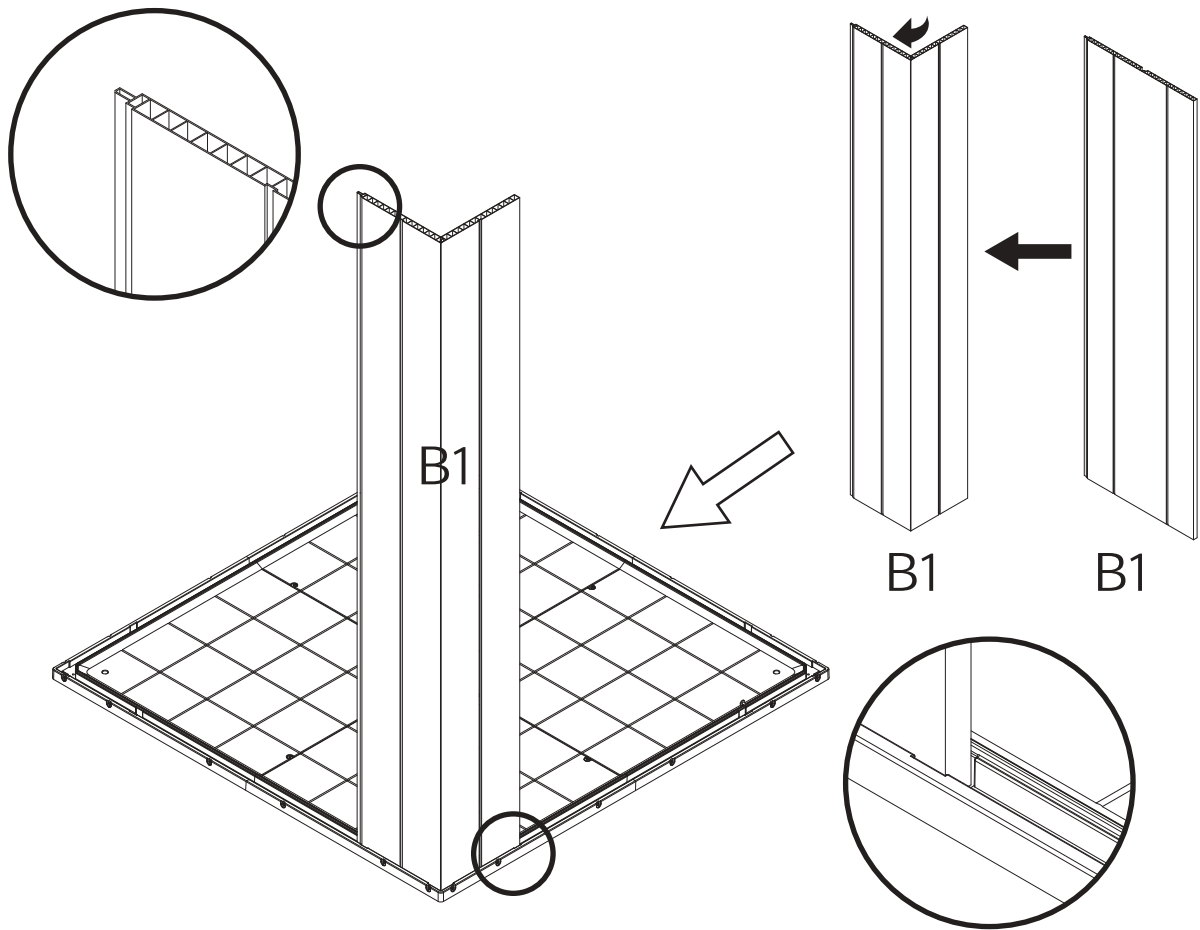
W1



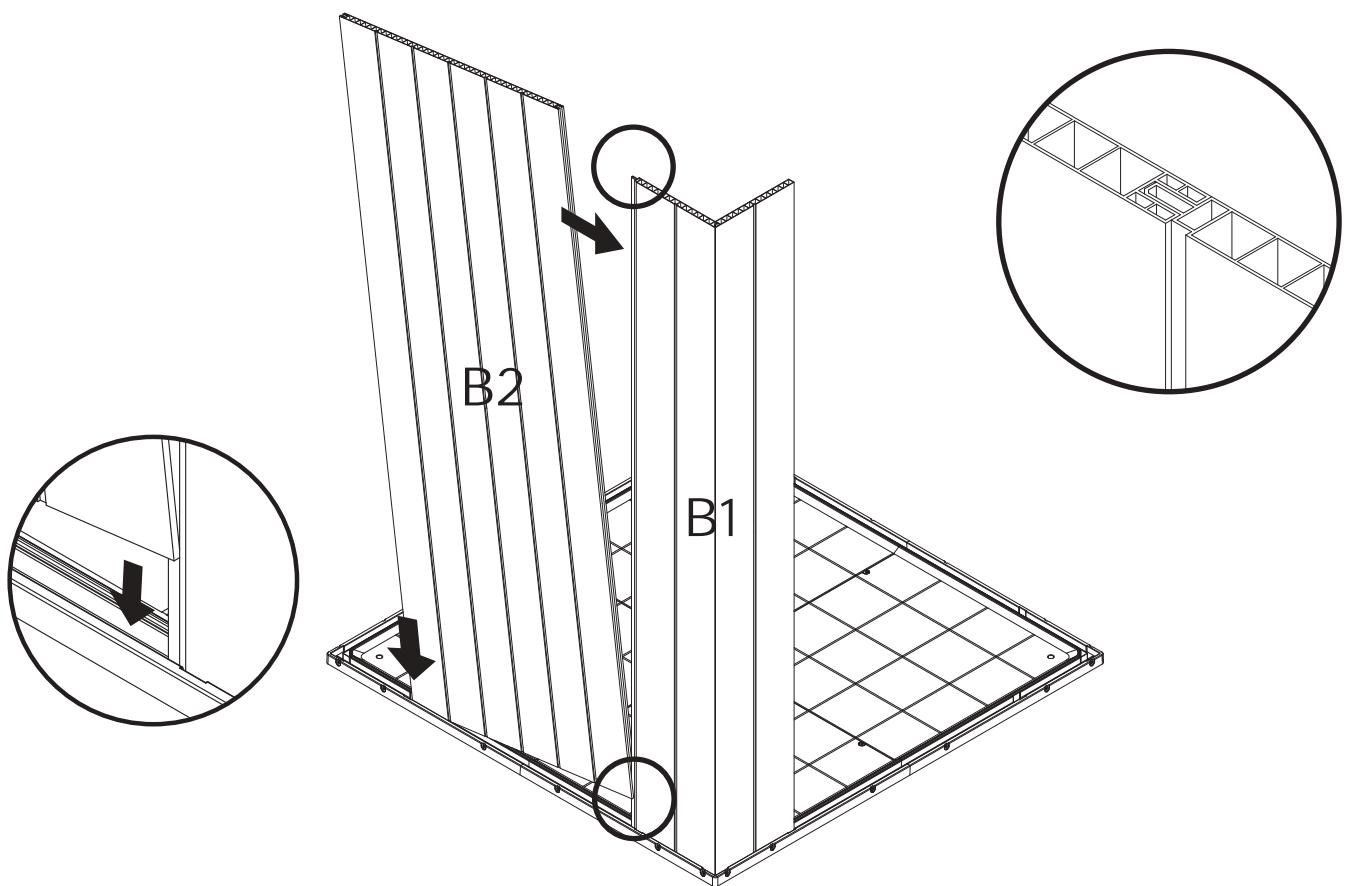
Textured side facing down.



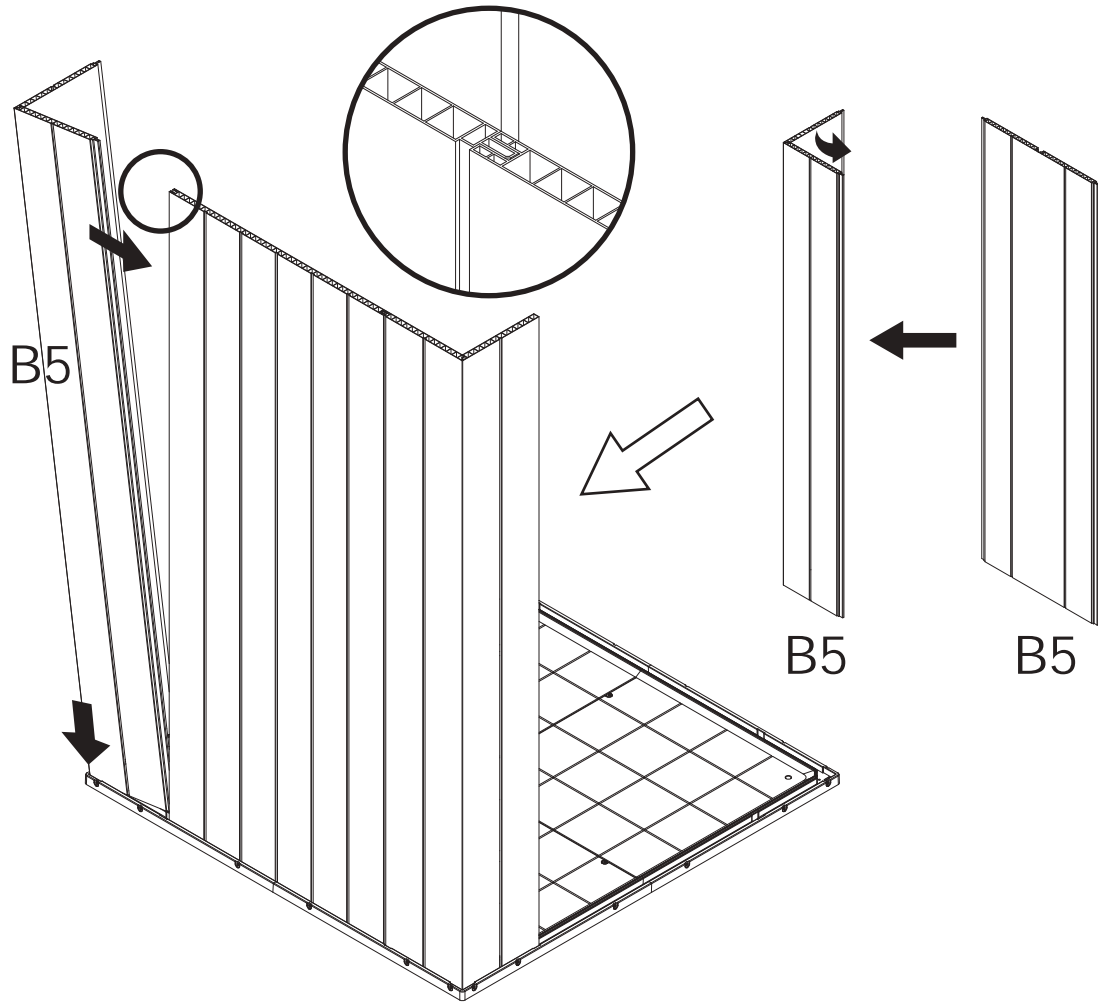
# STEP 6



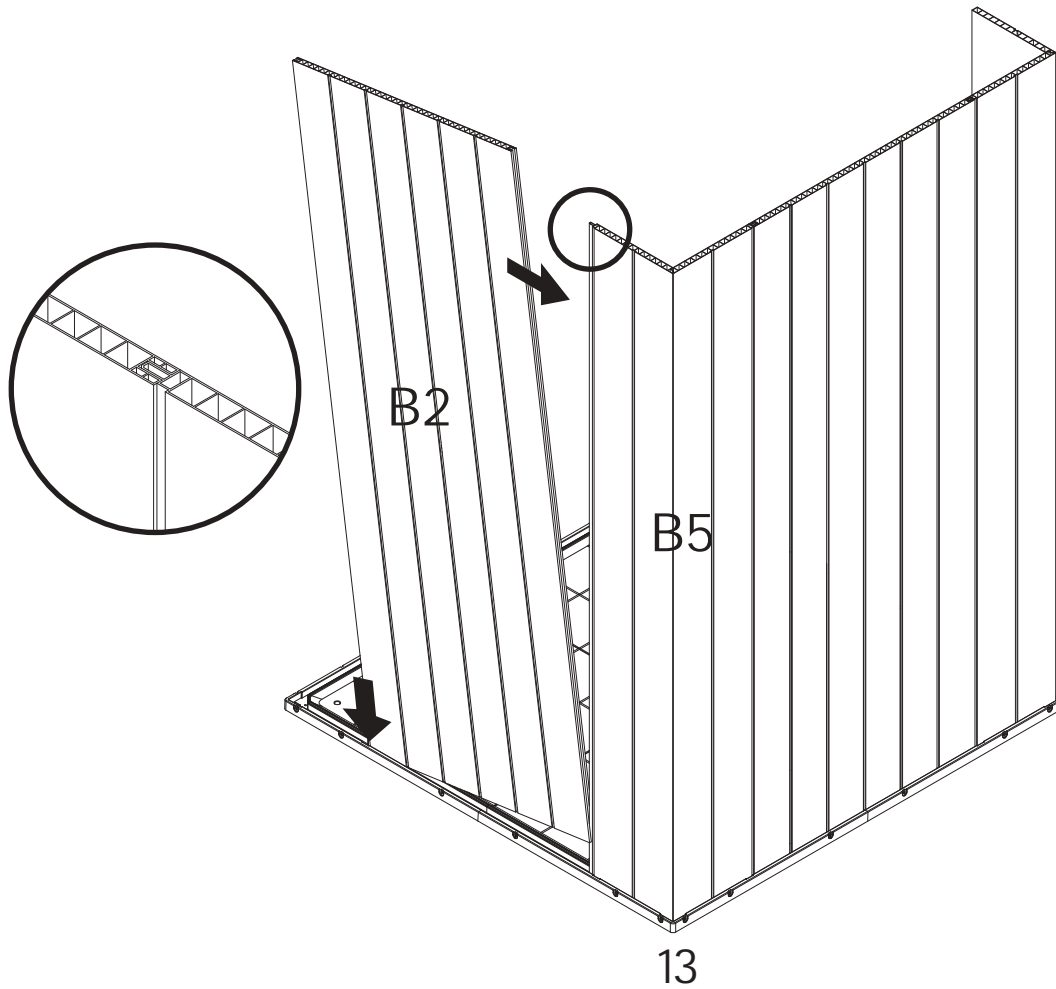
# STEP 7



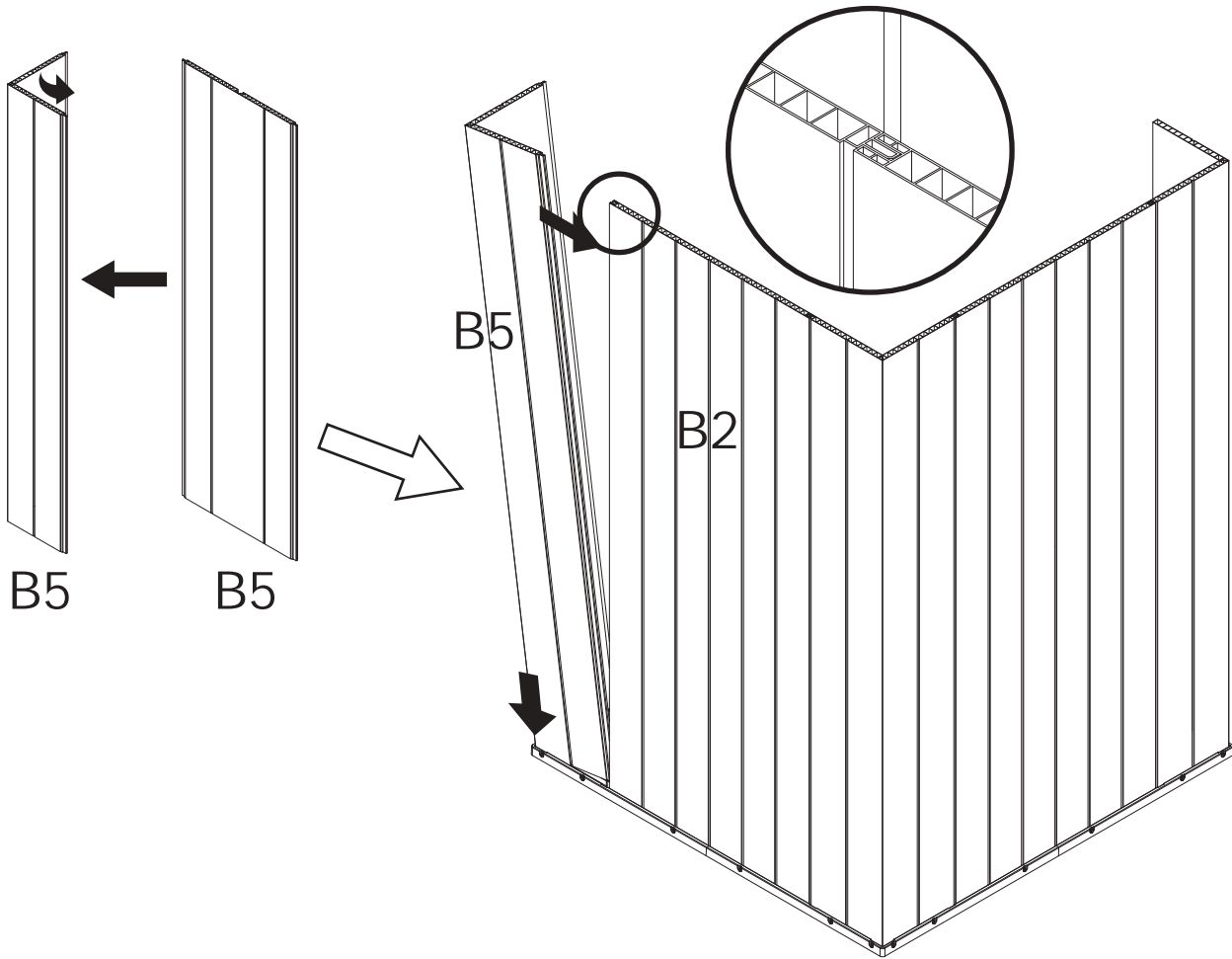
# STEP 8



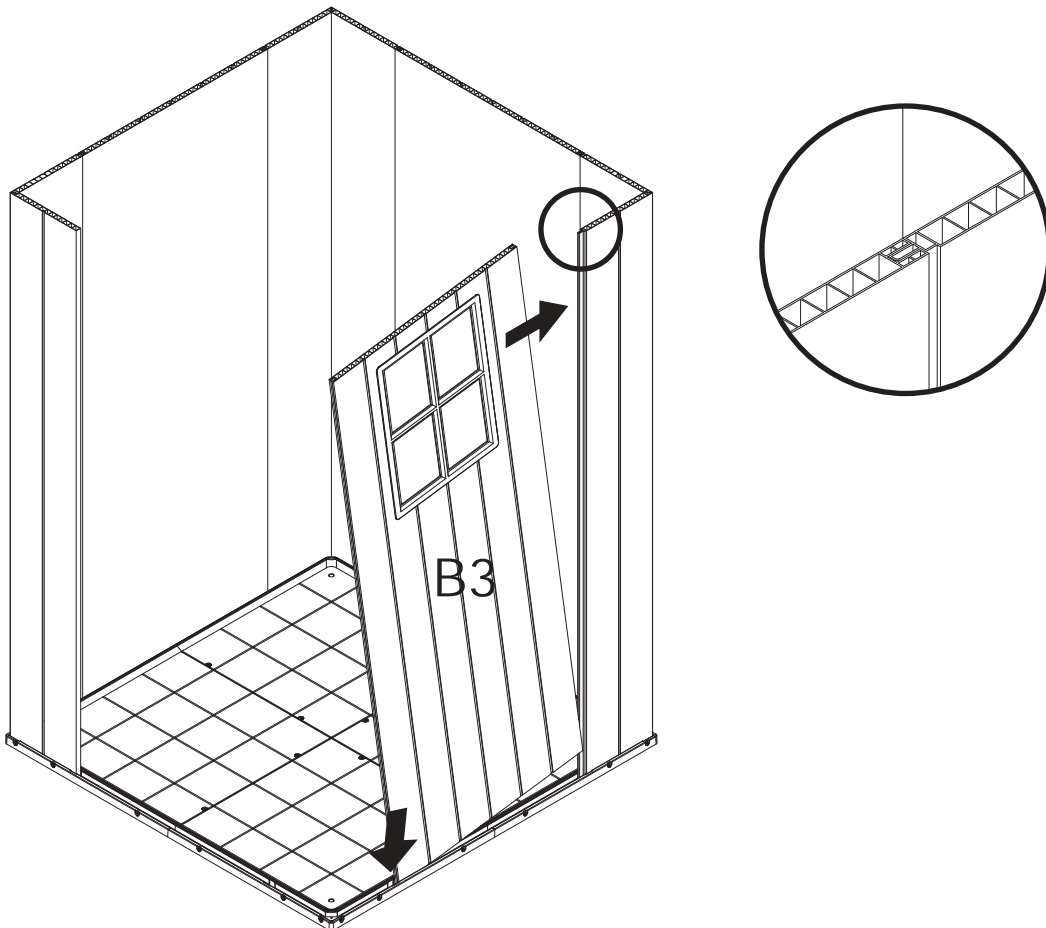
# STEP 9



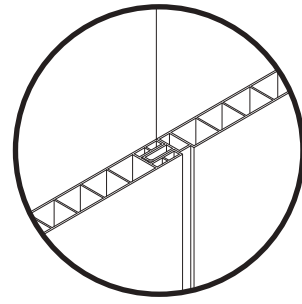
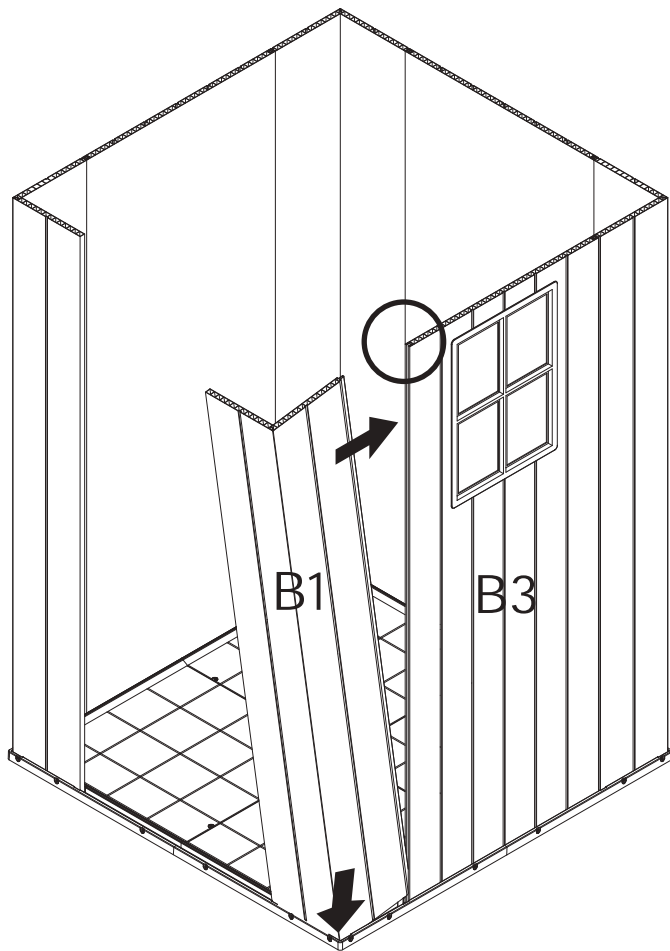
# STEP 10



# STEP 11

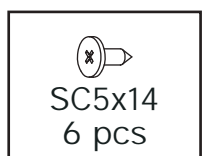
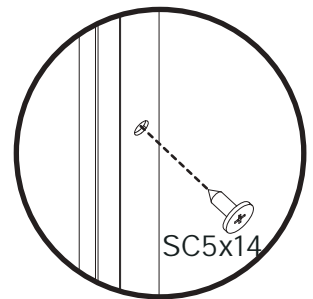
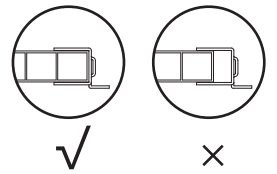
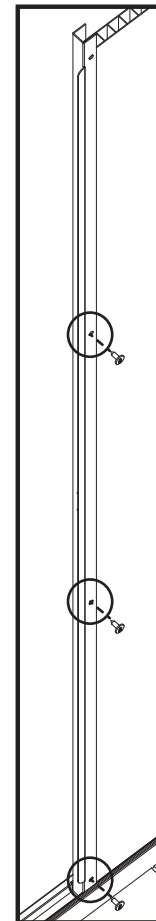
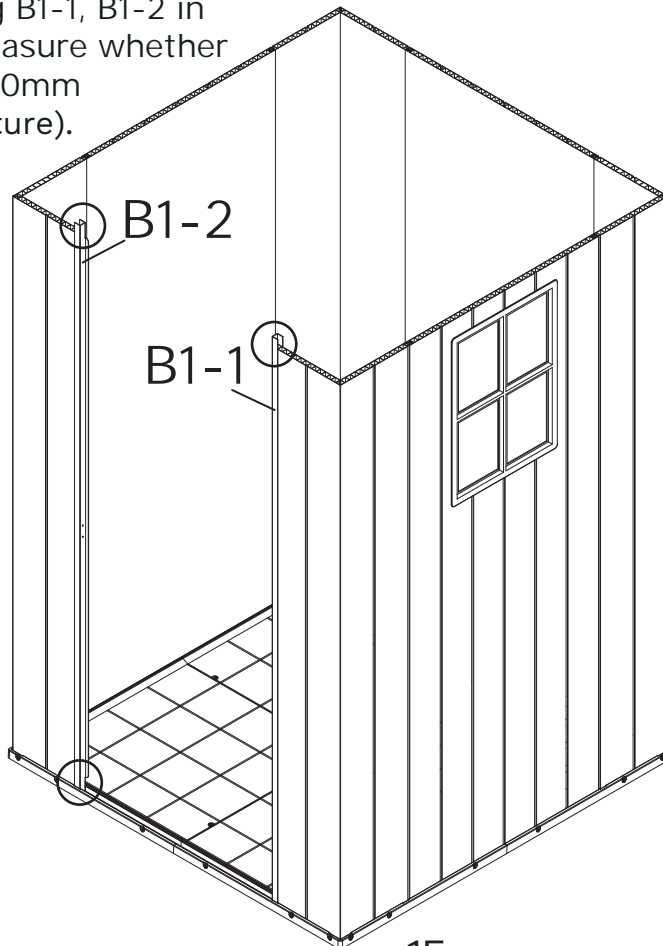
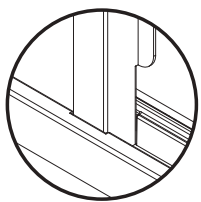
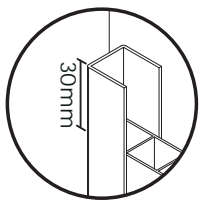


# STEP 12

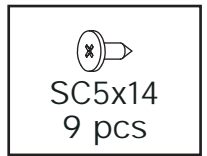
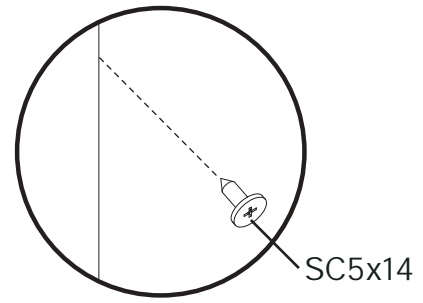
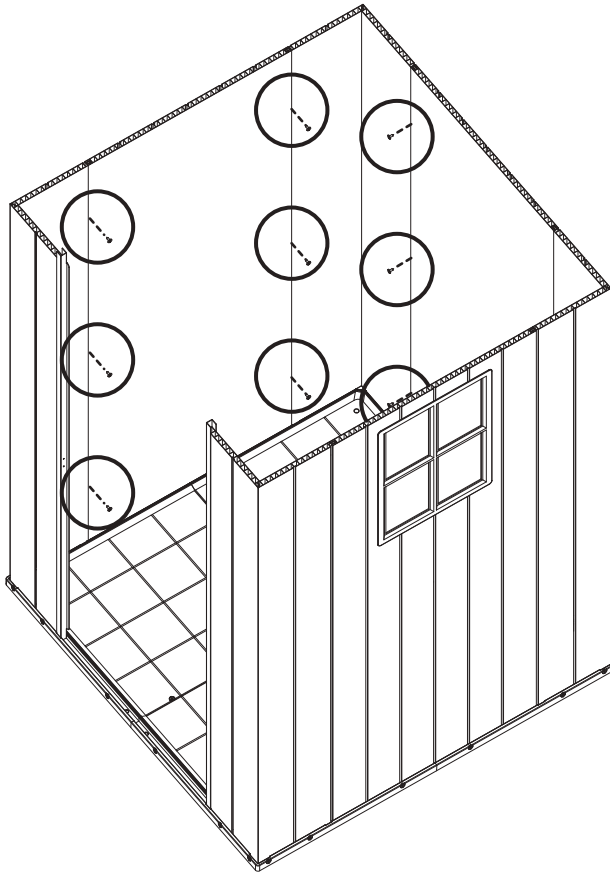


# STEP 13

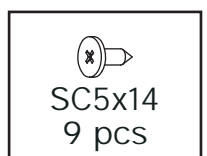
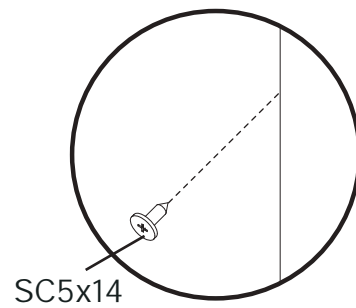
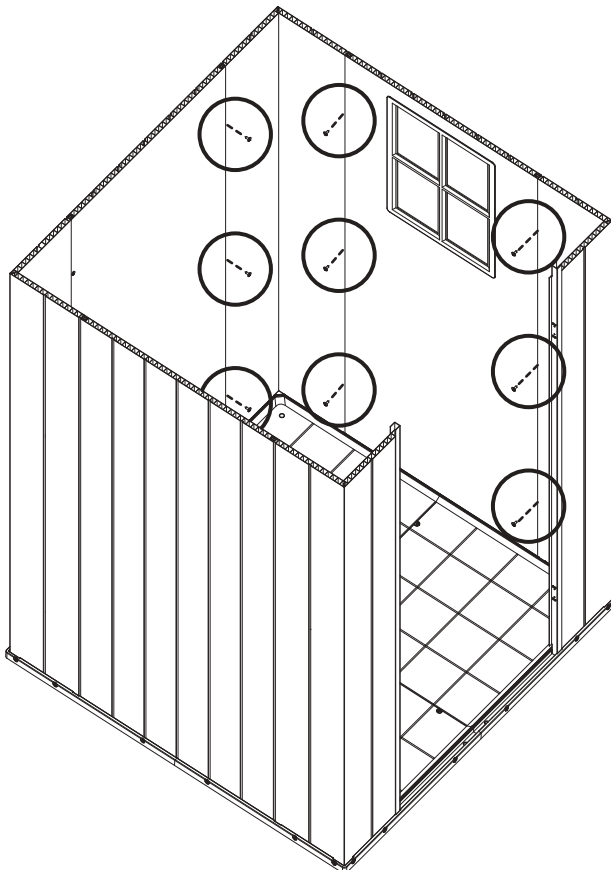
Note: After installing B1-1, B1-2 in sequence, please measure whether the size is equal to 30mm (as shown in the picture).



# STEP 14



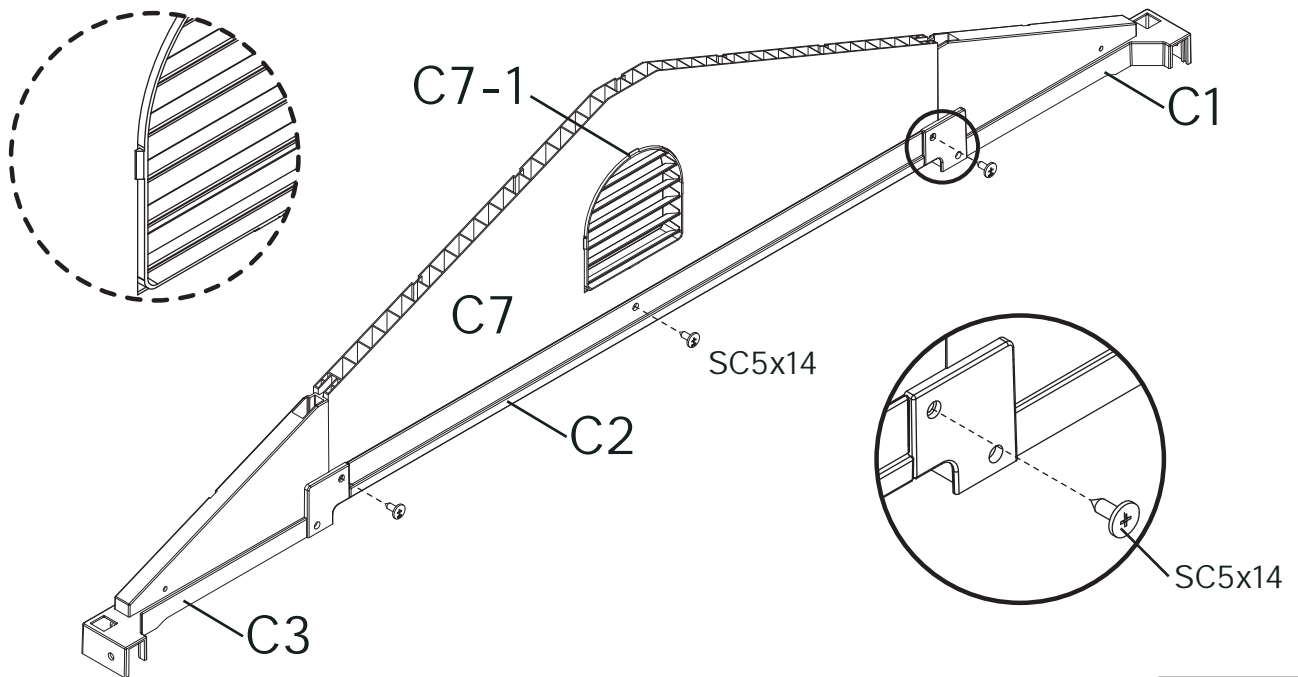
# STEP 15





# STEP 16

Note the snaps on C7-1.

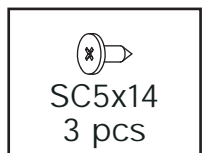
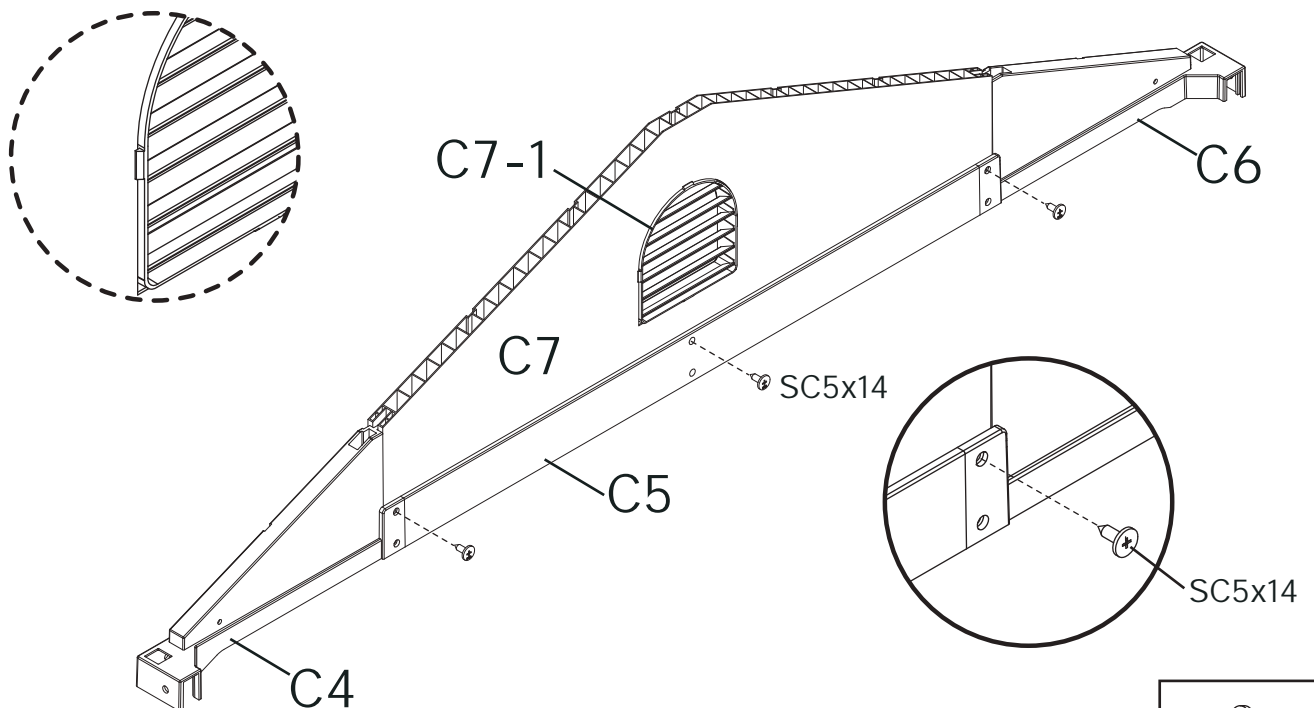


**For Front Door**

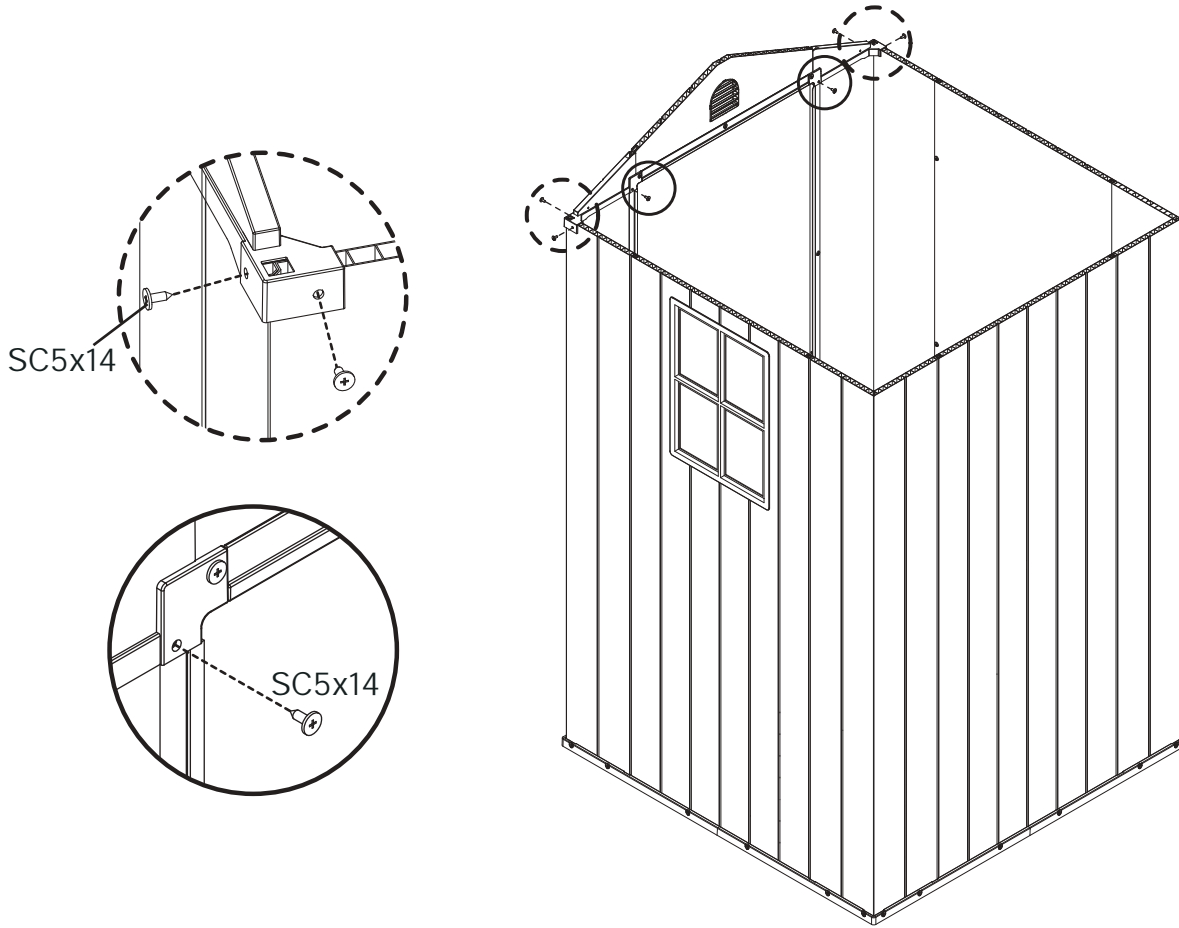


# STEP 17

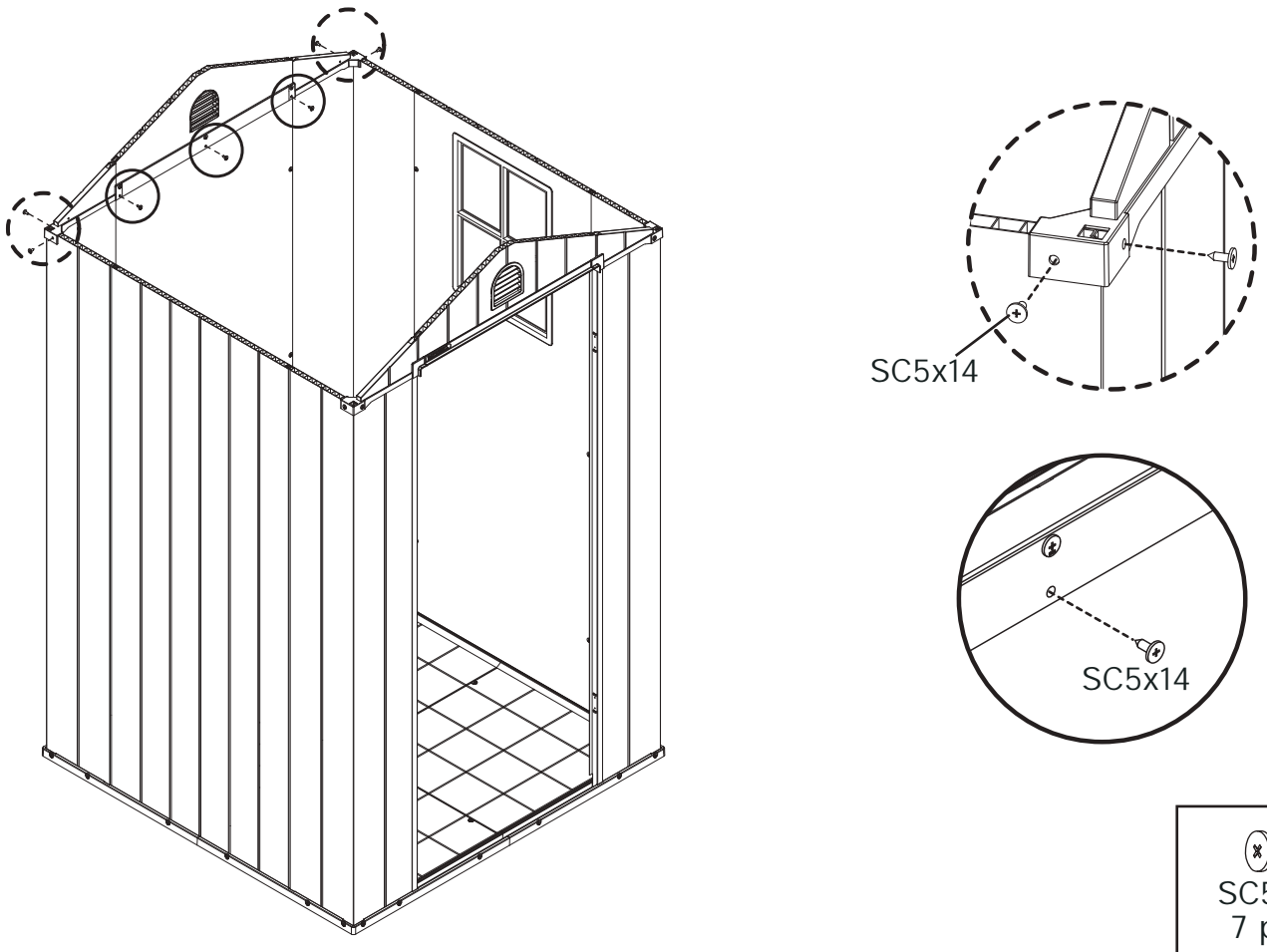
Note the snaps on C7-1.



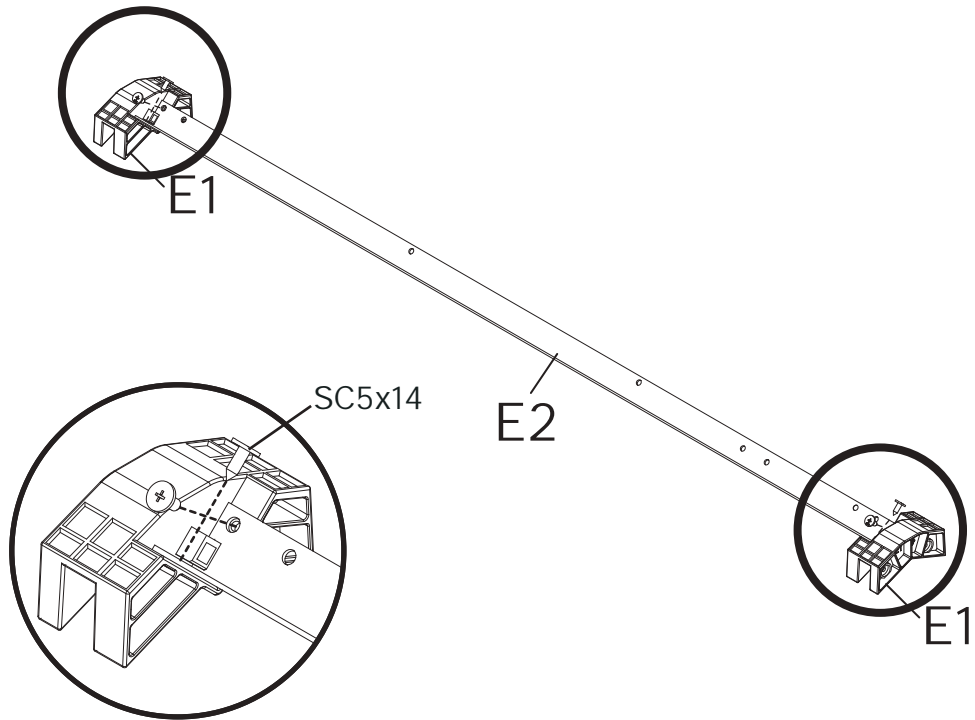
# STEP 18



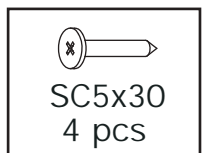
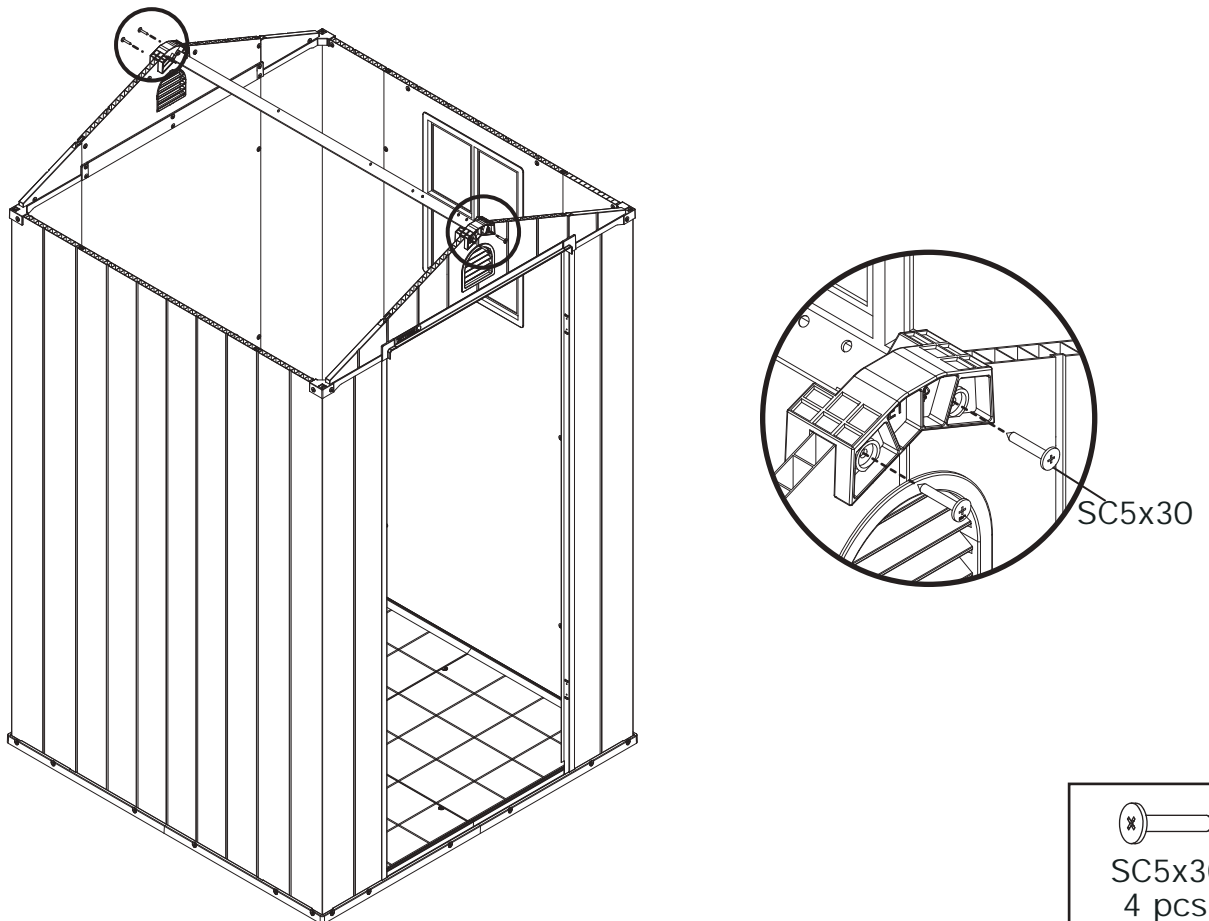
# STEP 19



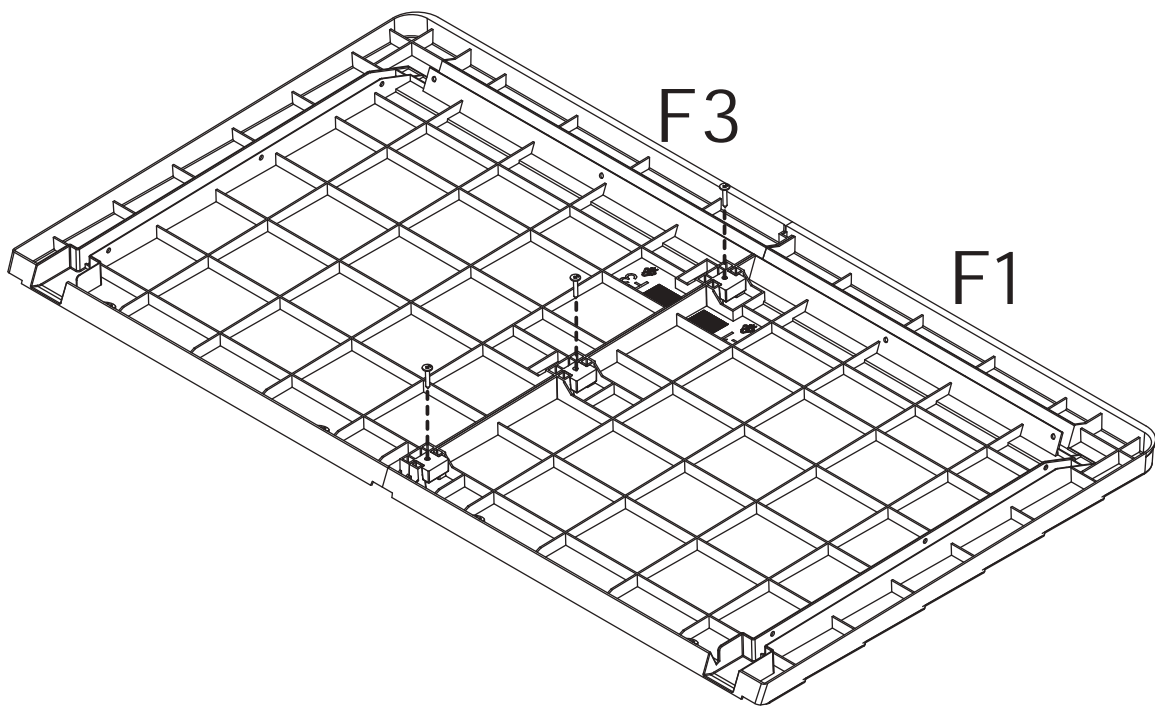
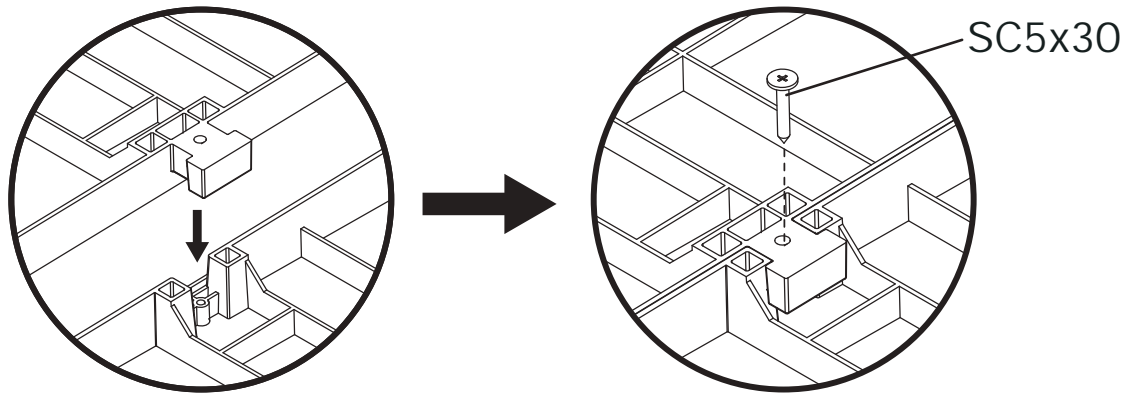
# STEP 20



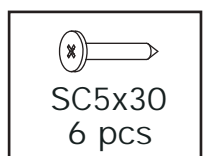
# STEP 21



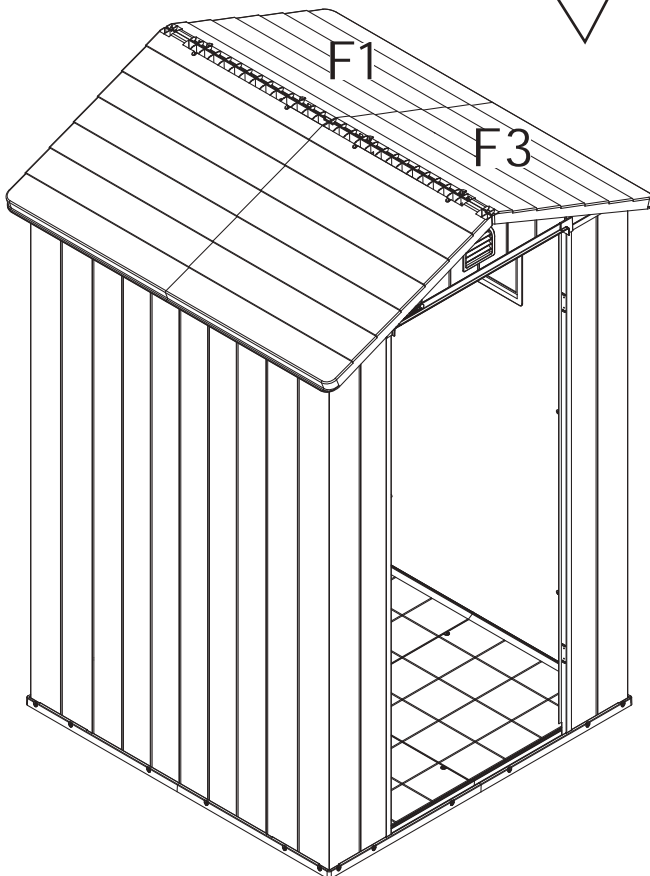
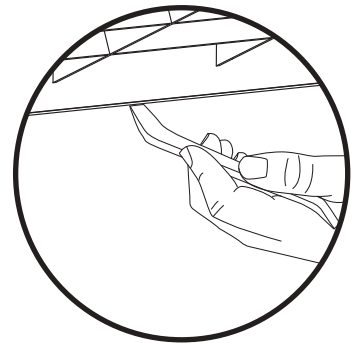
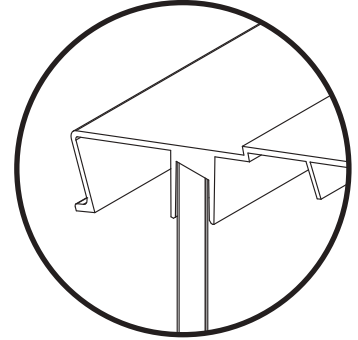
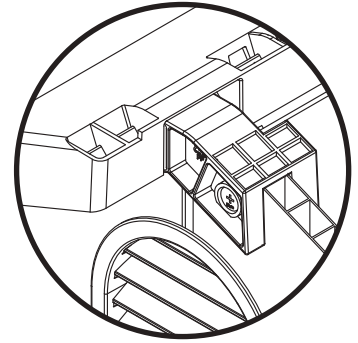
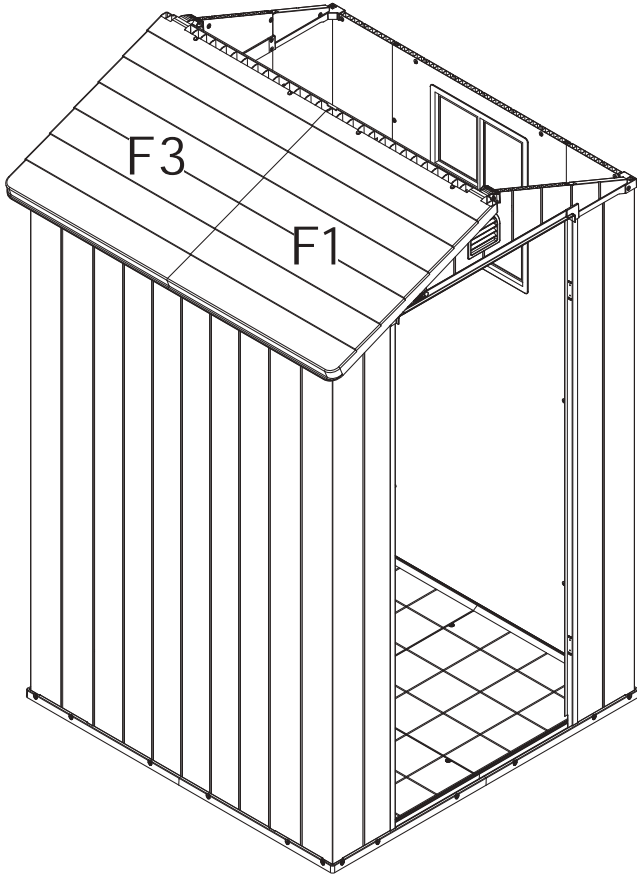
# STEP 22



x2

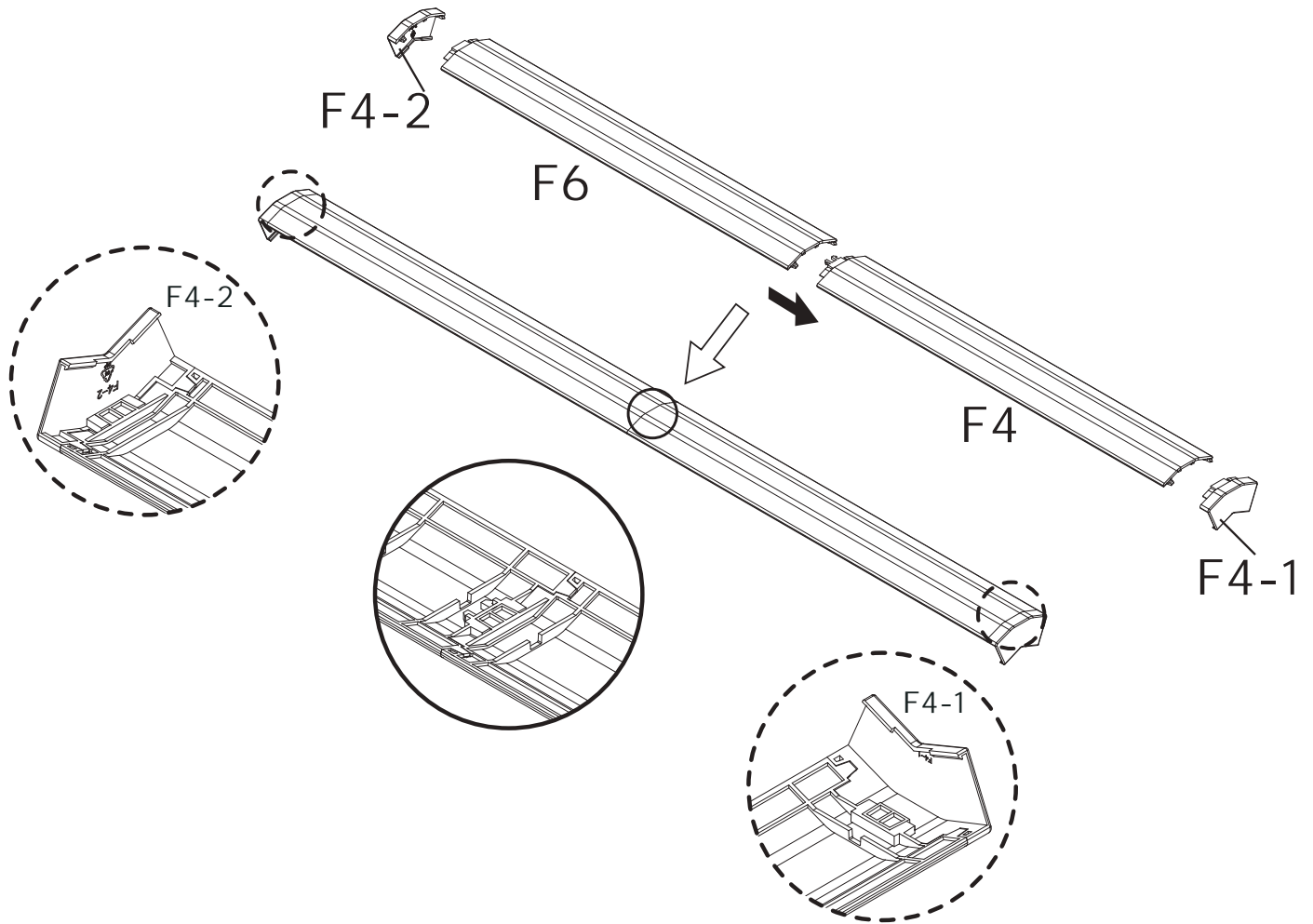


# STEP 23

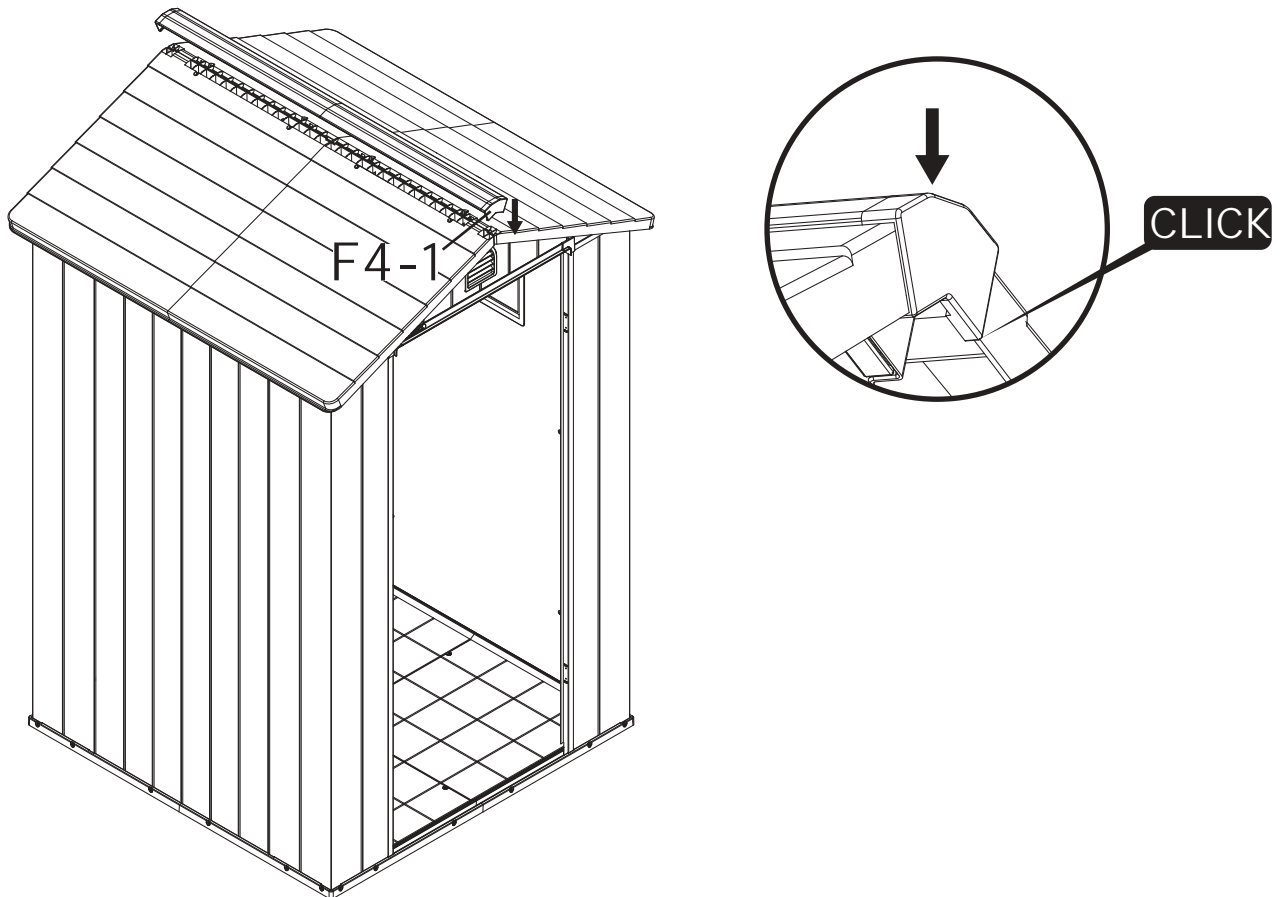


Adjusting roof and wall joints with a scraper.

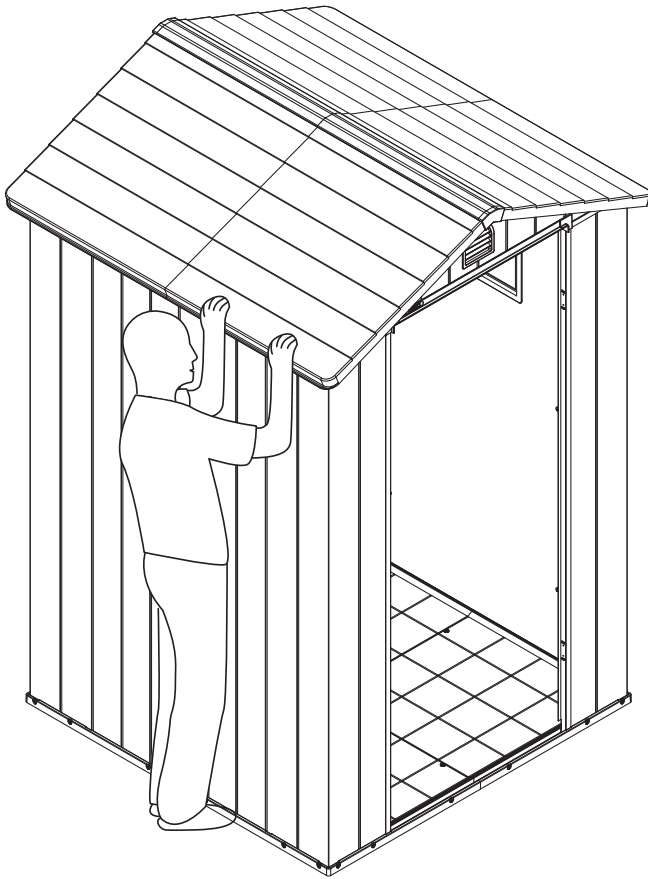
# STEP 24



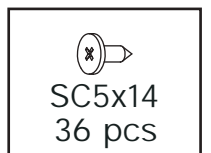
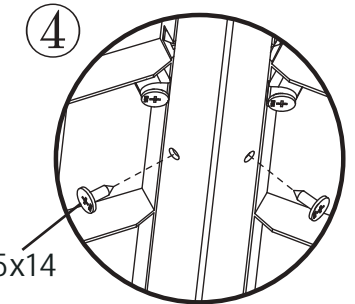
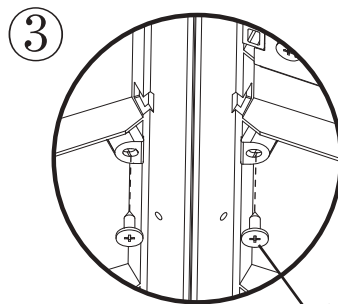
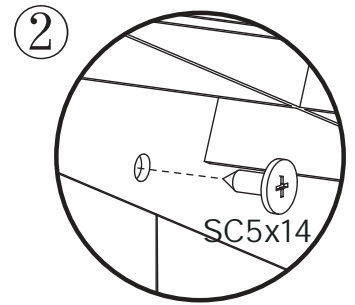
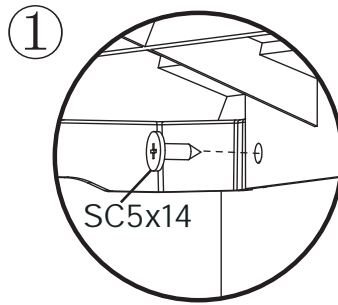
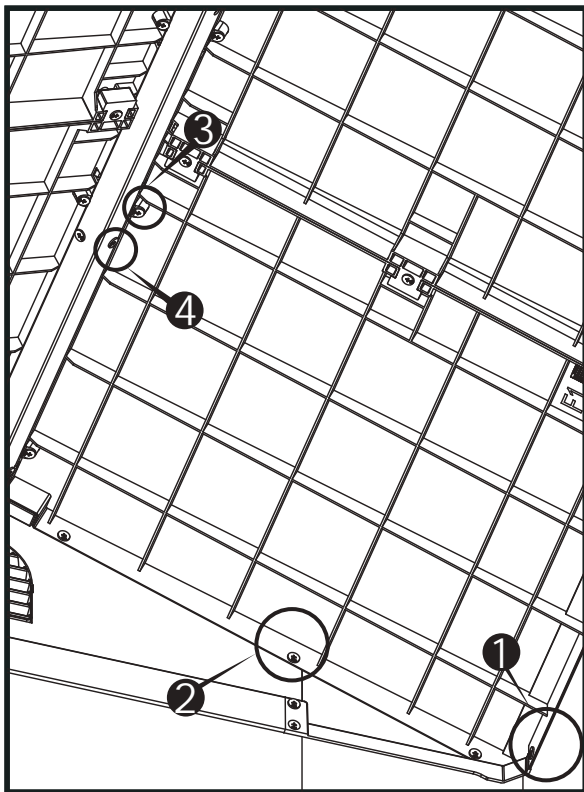
# STEP 25



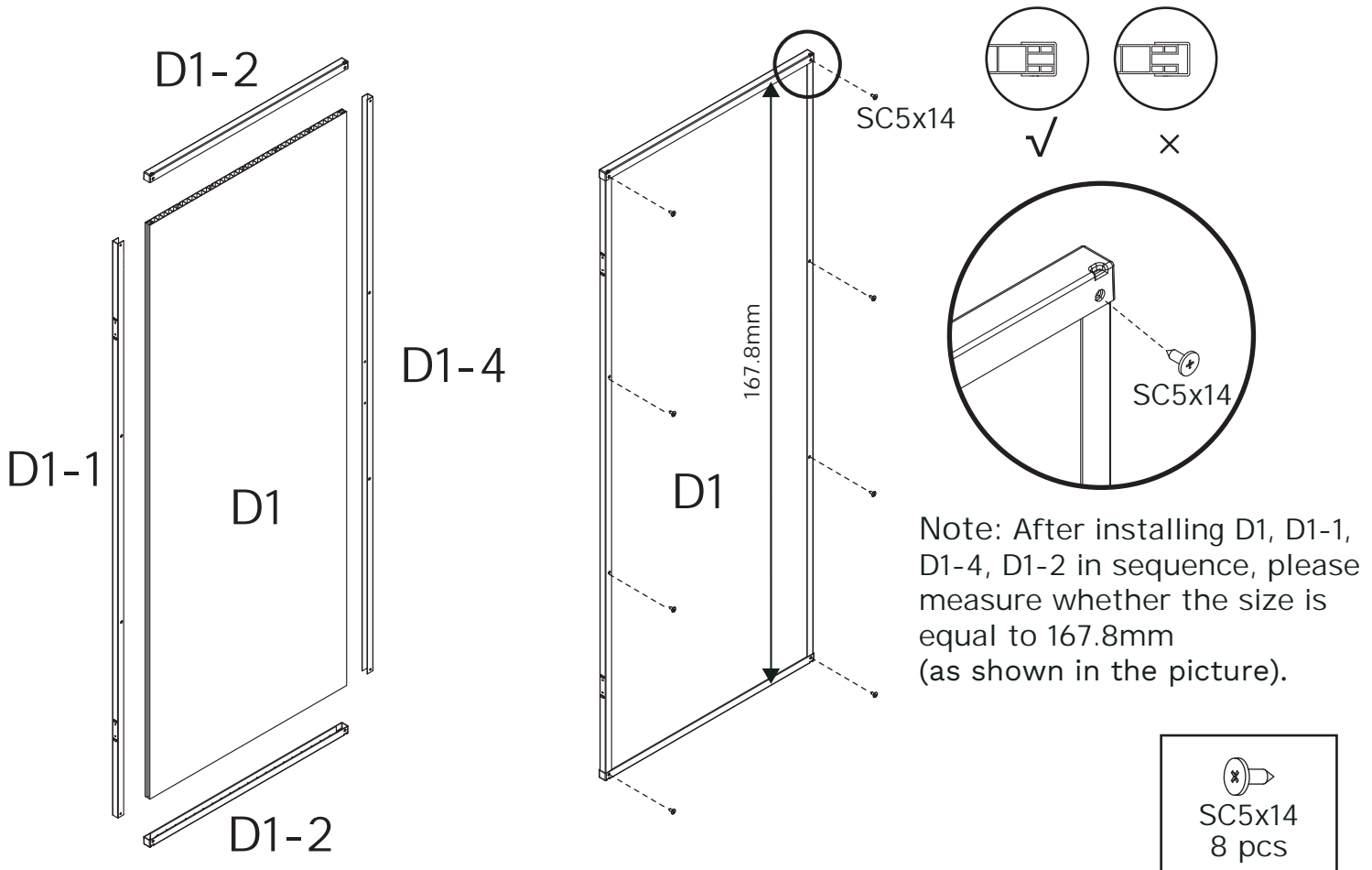
# STEP 26



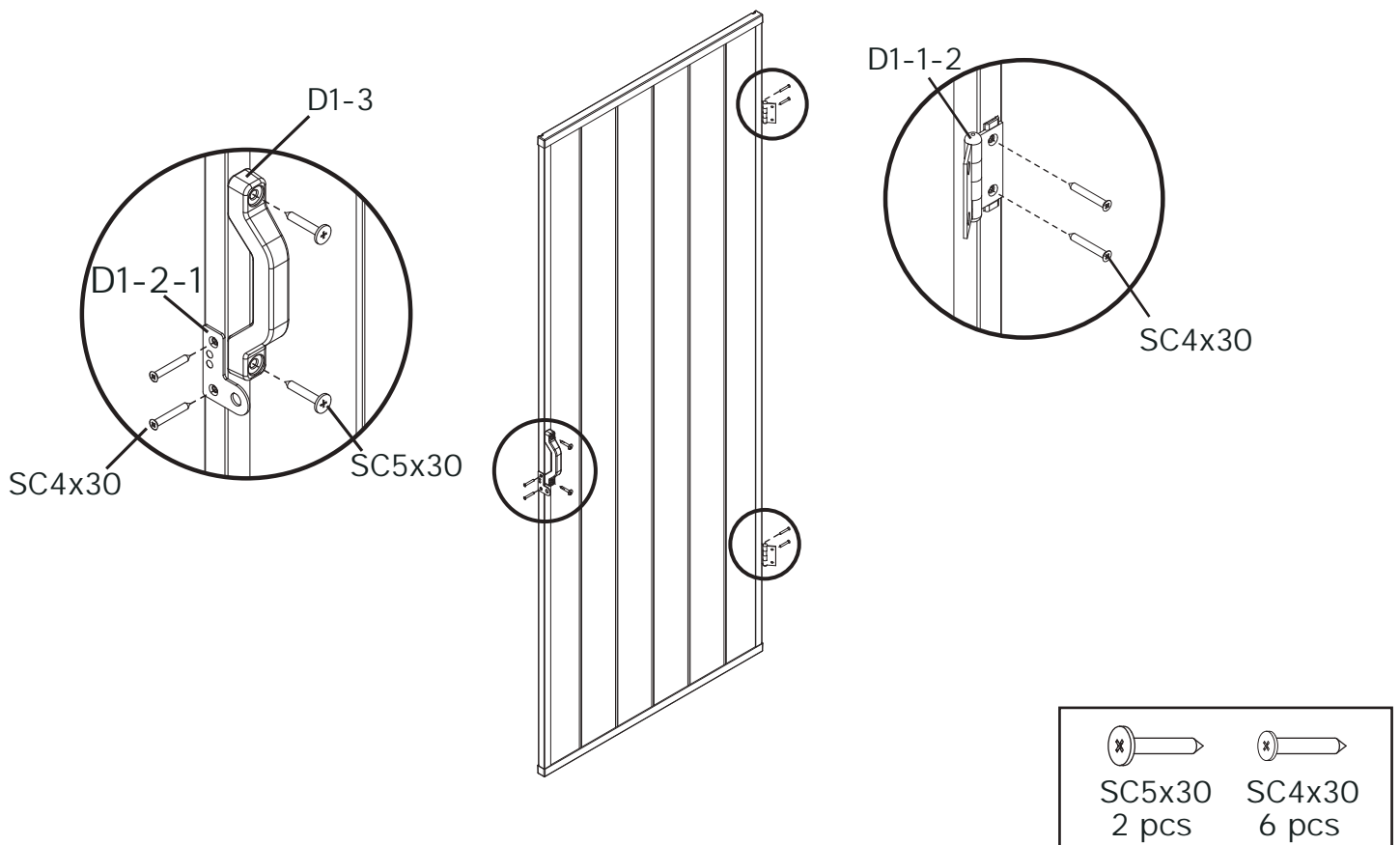
Note: Another person should be on the outside to hold down the roof while the screws are being driven.



# STEP 27

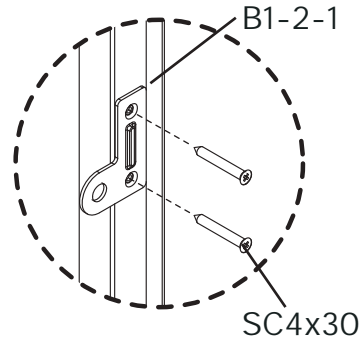
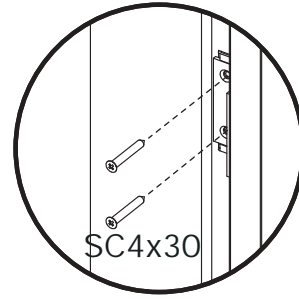
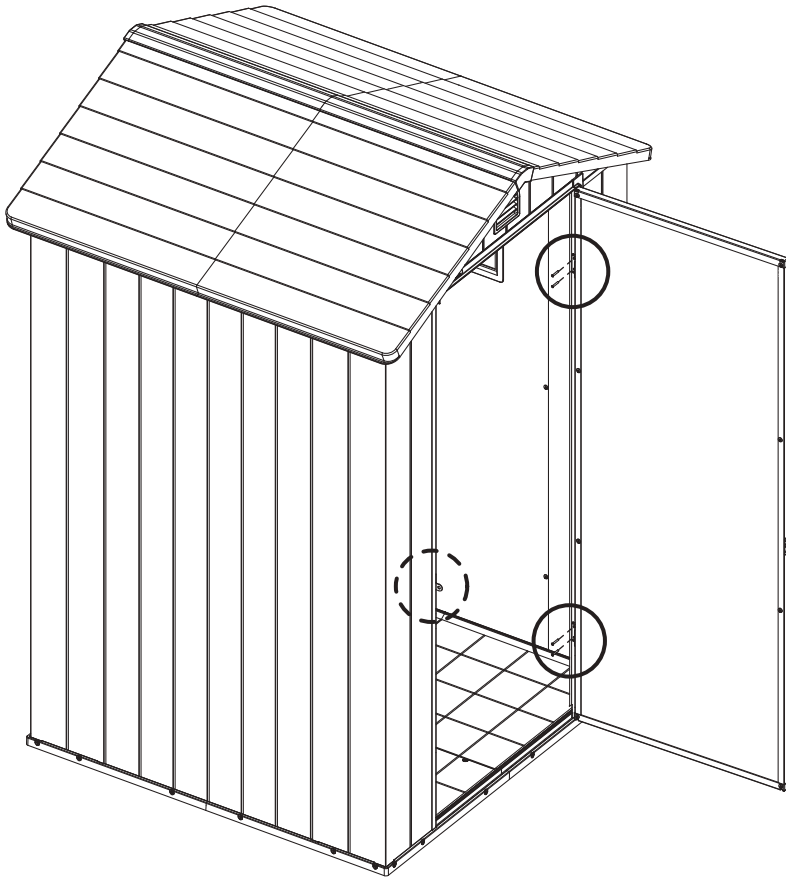


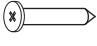
# STEP 28



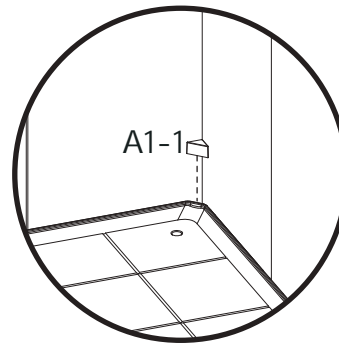
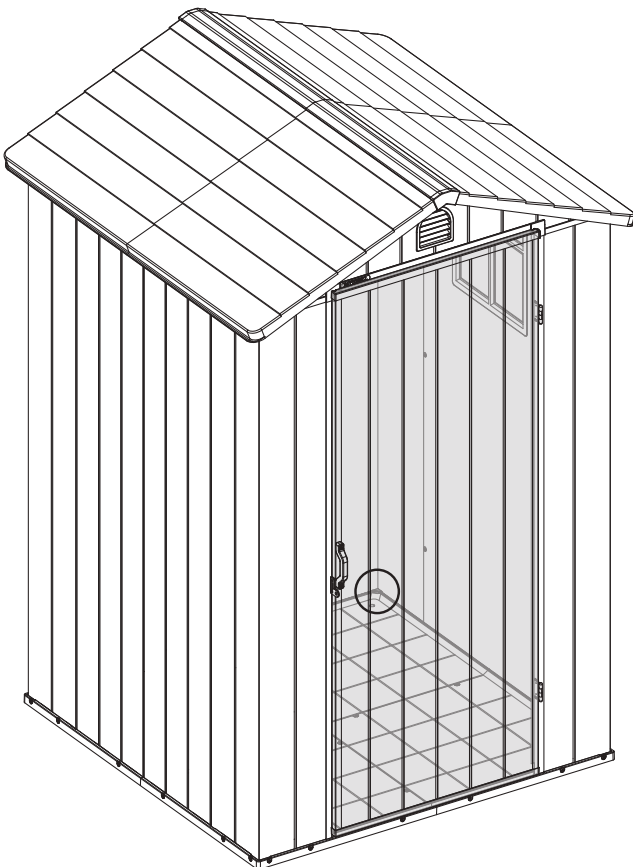


# STEP 29



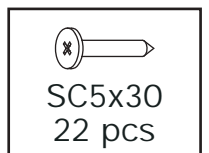
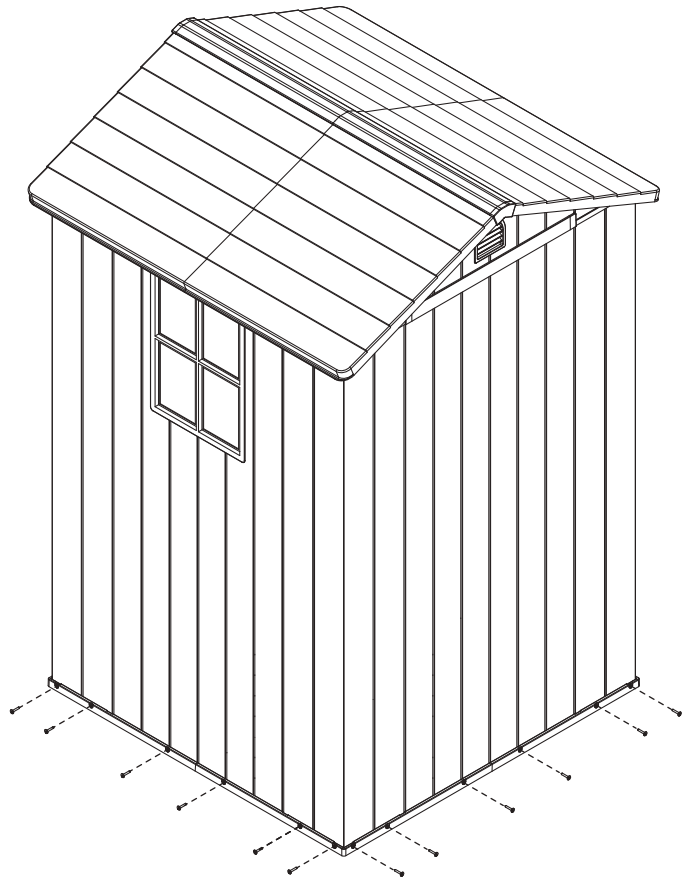
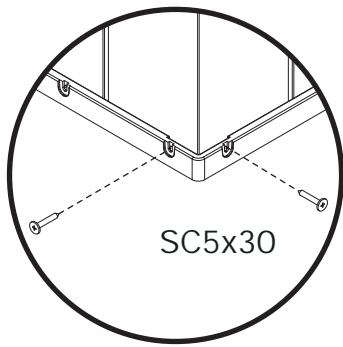
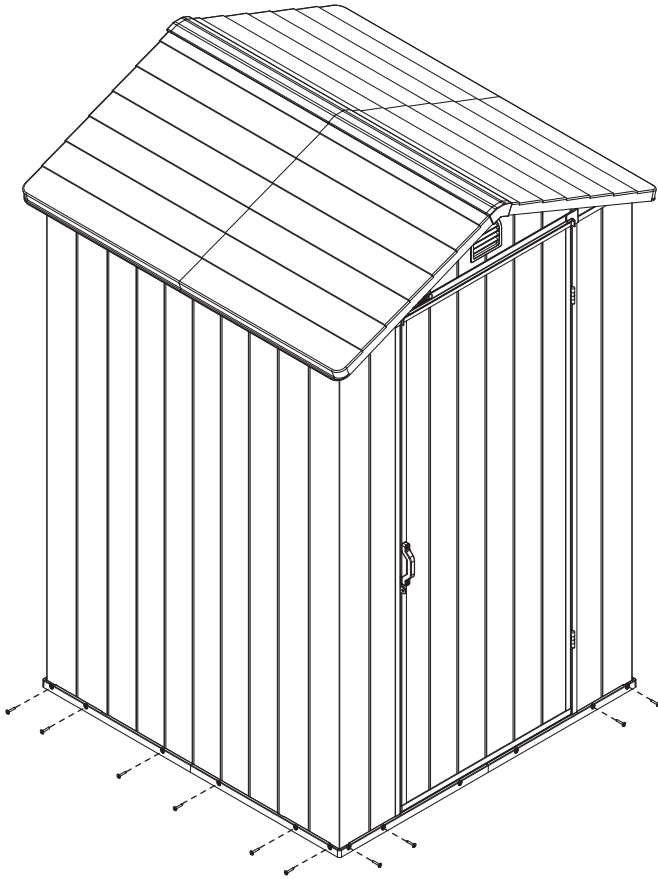
  
SC4x30  
6 pcs

# STEP 30



x4

# STEP 31



## CARE & SAFETY

- In case of fire, do not attempt to extinguish any burning polypropylene with water
- Unsuitable for storage of flammable or corrosive substances.
- It is of utmost importance to assemble all of the parts according to the directions. Do not skip any step.
- Please consult your local authorities if any permits are required to erect shed.
- Periodically check shed to assure that it remains stable and that the site remains level.
- It is highly recommended to secure the shed to an immovable object or to the ground by drilling holes in the floor at the pre-marked locations and inserting proper screws into the ground (size: 1.9"-3" ,screws are not included).
- Wear safety-goggles and always follow the manufacturer's instructions when using power tools.
- Wash shed with garden hose or a mild detergent solution. Using a stiff brush or abrasive cleaner could damage shed.
- Hot items such as recently used grills, blowtorches, etc. must not be stored in the shed.
- Heavy articles should not be leaned against the walls, as this may cause distortion.
- Keep roof clean of snow and leaves. Heavy amounts of snow on roof can damage the shed making it unsafe to enter.
- Although wind direction varies, it is an important factor when taking into account where to place your shed. Therefore, it is recommended to reduce wind exposure of the shed in general, and the door side in particular.
- Keep doors closed and locked to prevent wind damage.
- Do not stand on the roof.