

ASSEMBLY INSTRUCTIONS

RESIN GARDEN SHED

SKU: T-PS23-0380A

BE
YOUR
LIFE BUILDER

www.patiowell.com



 Patiowell

Resin Garden House
Installation Tutorial

[https://www.patiowell.com/
pages/video-T-PS23-0380A](https://www.patiowell.com/pages/video-T-PS23-0380A)

 saleservice@patiowell.com

BEFORE YOU START

Owner's Manual

Prior to installation, it is important that you contact your local government authority to determine if building approval is required. Study and understand this owner's manual. Important information and helpful tips will make your construction easier and more enjoyable.

Assembly instructions

Instructions are supplied in this manual and contain all appropriate information for your building model. Review all instructions before you begin. During assembly, follow the step sequence carefully for correct results. Please be aware: **this unit takes two people about one full day to complete.**

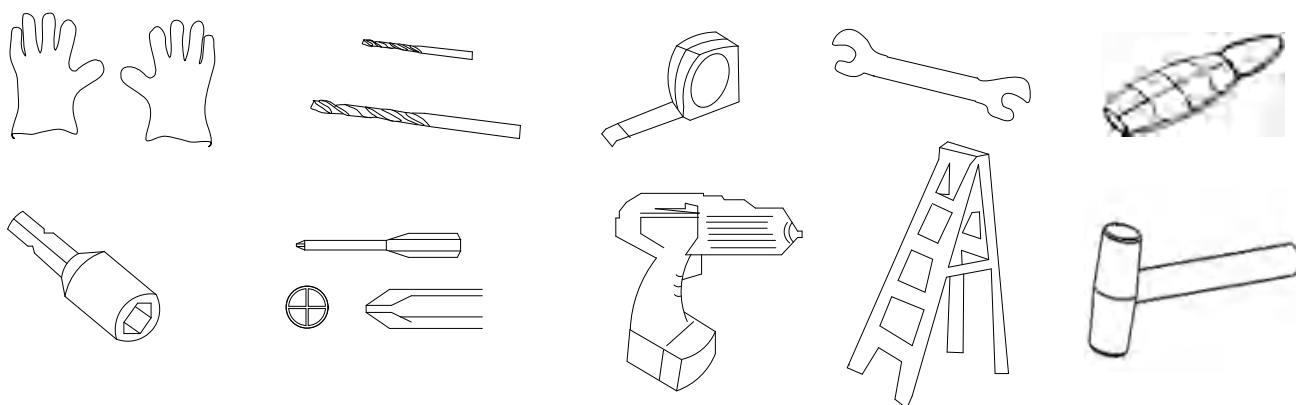
Parts

Check to be sure that you have all the necessary parts for the building.

Separate contents of the carton by the part number while reviewing parts list.

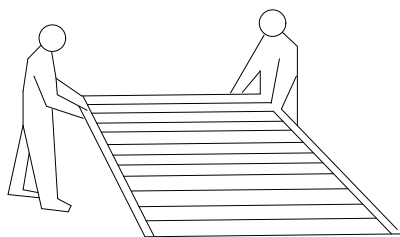
Familiarize yourself with the hardware and fasteners for easier use during construction. These are packaged within the carton. Note that extra fasteners have been supplied for your convenience.

TOOLS MAY REQUIRED



Use heavy duty gloves when handling steel sheets and flashing

PLAN AHEAD



It requires two people a full day to complete installation

Watch the weather:

Please be sure the day you select for installation is dry and calm.

DO NOT attempt to assemble your shed in windy weather because of risk of damage to panels, or personal injury. Be careful of wet or muddy ground.

Teamwork:

Whenever possible, two or more people should work together to assemble the building. One person can position parts or panels while the other is able to handle the fasteners and the tools.

PLAN AHEAD

Site Selection

- Avoid overhanging trees as much as possible as leaves will make regular cleaning necessary and broken branches are a potential hazard.
- Small trees, bushes or fences nearby can be helpful, acting as a wind break.

Site Preparation

The site must be prepared so that the base of the shed is level all round and checking with a spirit level is required.

The base can be constructed by treated timber or concrete, in order to stop the moisture getting into the shed. **The shed is not designed to be built onto lawn directly.** Also the ground will get muddy during rainy days.

If a concrete pad is made, it is important that this slopes towards the edges to prevent water ingress.

Time must be allowed for any concrete or cement to dry before building the shed on top.









Bases can also be constructed from bricks, blocks, or mounted on a concrete pad.

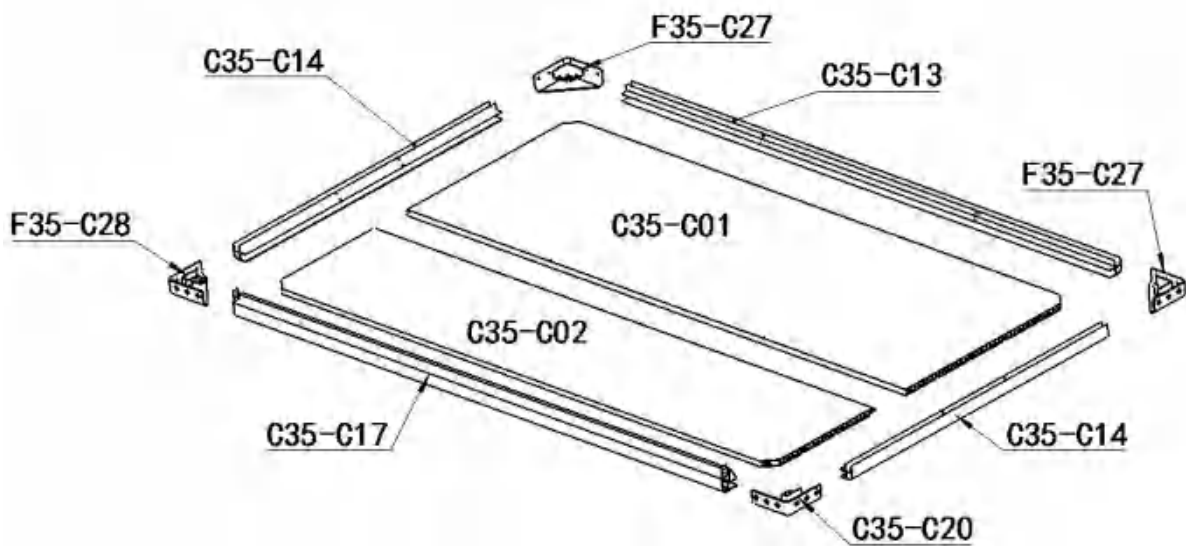
The bricks or blocks should be cemented onto firm and level concrete footings and the greenhouse frame drilled and screwed to the base.

IMPORTANT NOTES:





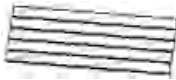
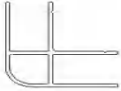
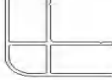



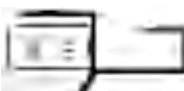


- Find someone to help you: it is much easier with someone to hold parts, pass tools ect. Also some steps require two people to lift structures together. This is not very heavy work so would suit most able-bodied people.
- Allow plenty of time: rushing often causes errors and the re-doing of incorrect assemblies. If you have never built a shed before, it can take most of a day to carefully complete the construction.
- Have the right tools to hand.
- Safety clothing as recommended in the 'Tools' section.
- Ideally lay out the parts and check that all are present before commencing construction. Lay on cloths or plastic sheets if there is any risk of scratching the parts.
- Tighten all nuts carefully, being sure not to miss any. Check the frame is square and using a spirit level to check that it is upright.

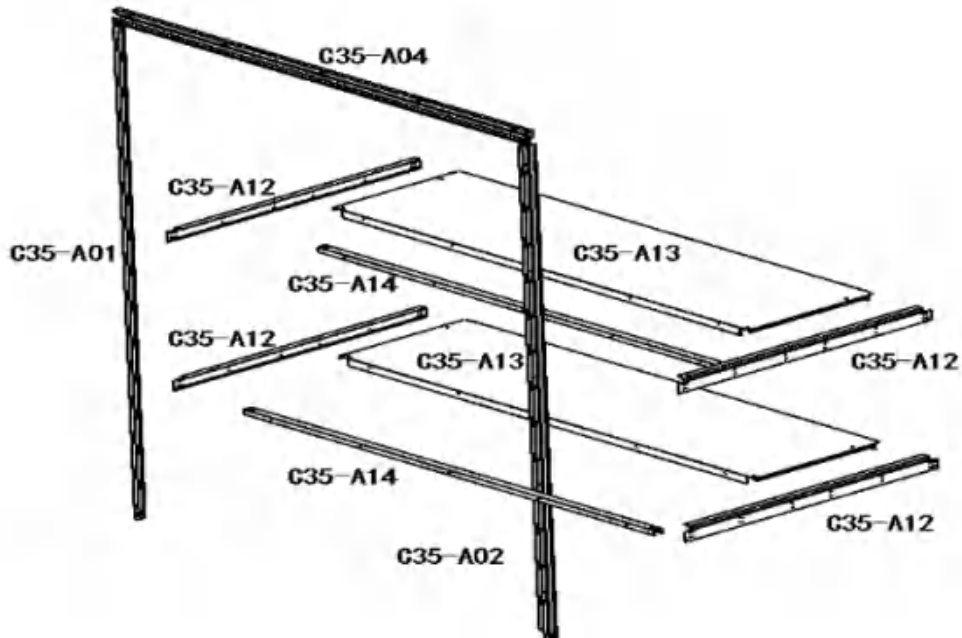
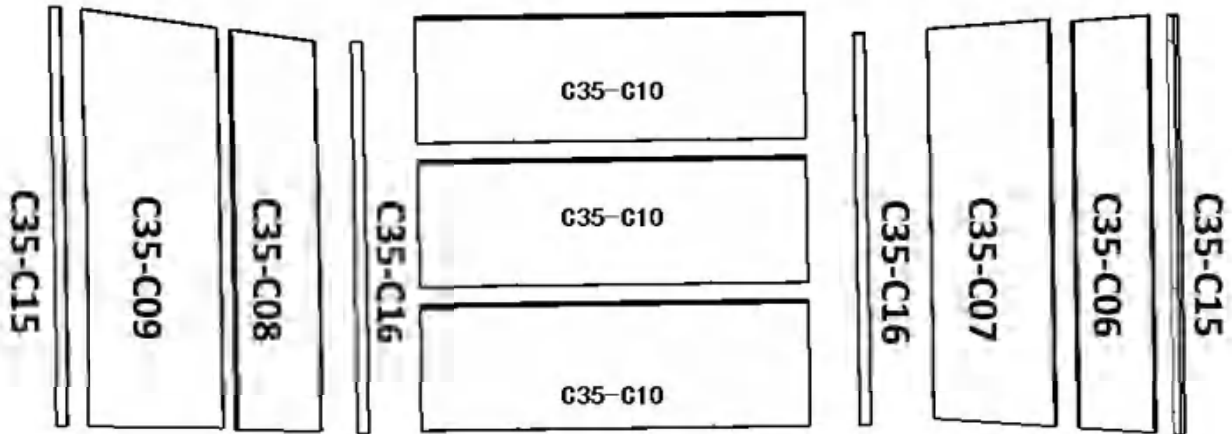
BASEMENT COMPONENTS

<p>C35-C01</p> 	<p>C35-C02</p> 	<p>C35-C13</p> 	<p>C35-C14</p> 
<p>500*1398*14mm 1PC</p>	<p>310*1398*14mm 1PC</p>	<p>43*43*1356mm 1PC</p>	<p>43*43*750mm 2PCS</p>
<p>C35-C17</p> 	<p>C35-C20</p> 	<p>F35-C27</p> 	<p>F35-C28</p> 
<p>43*45*1356mm 1PC</p>	<p>101*101*36mm 1PC</p>	<p>101*101*36mm 2PCS</p>	<p>101*101*36mm 1PC</p>









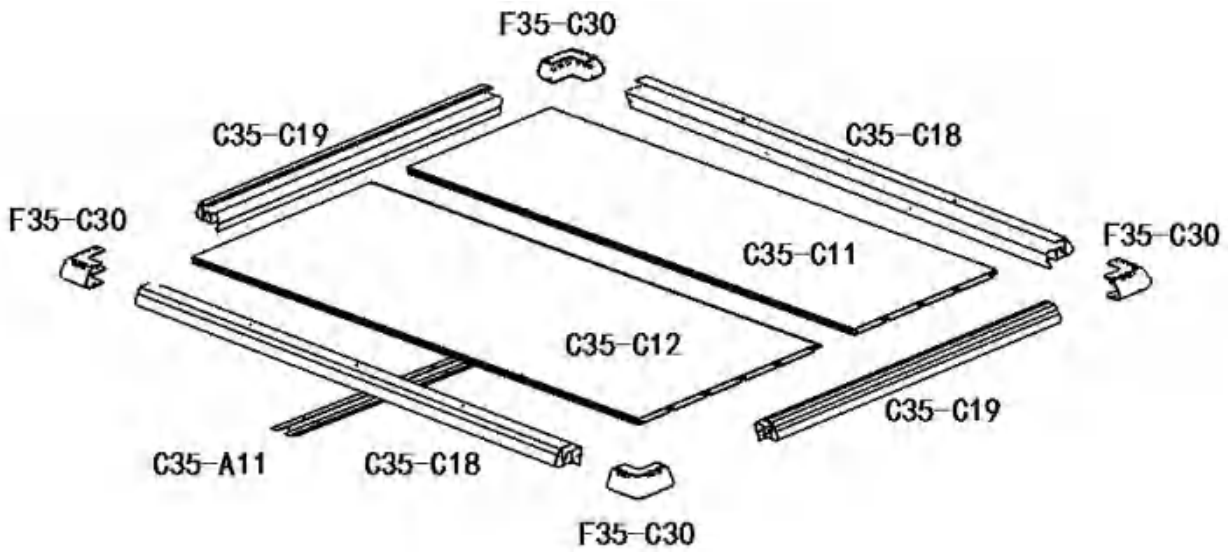
WALL COMPONENTS

C35-C06 	C35-C07 	C35-C08 	C35-C09 
310*1682*14mm 1PC	492*1619*14mm 1PC	310*1579*14mm 1PC	492*1682*14mm 1PC
C35-C10 	C35-C16 	C35-C15 	C35-A14 
510*1398*14mm 3PCS	33*33*1518mm 2PCS	33*33*1690mm 2PCS	25*17*1386mm 2PCS
C35-A01 	C35-A02 	C35-A04 	C35-A12 
38*18*1669mm 1PC	38*18*1669mm 1PC	29*53*1398mm 1PC	28*46*794mm 4PCS
C35-A13 			
395*25*1404mm 2PCS			







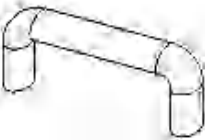

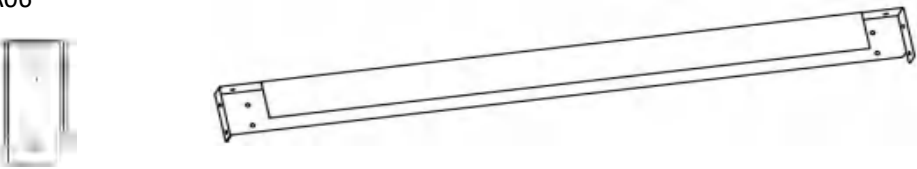
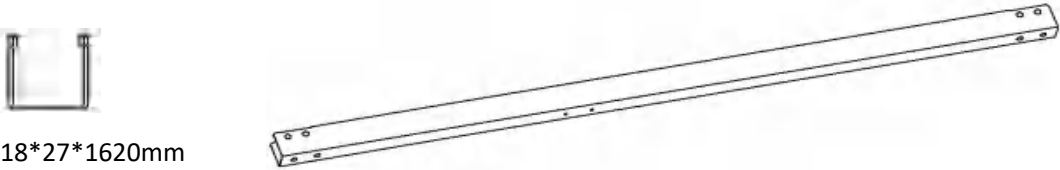
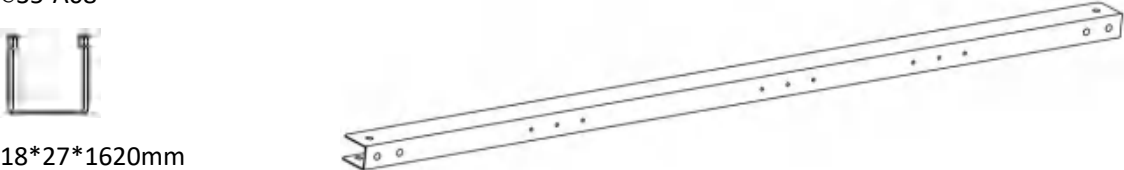

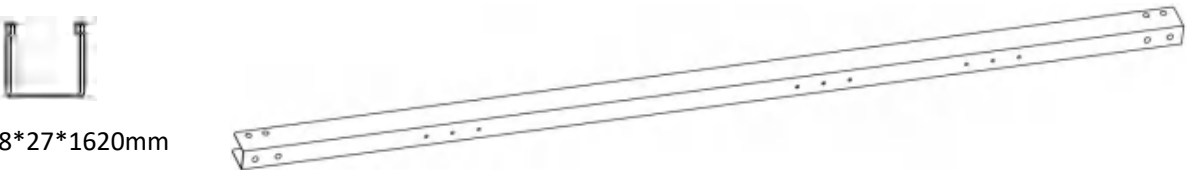


ROOF COMPONENTS

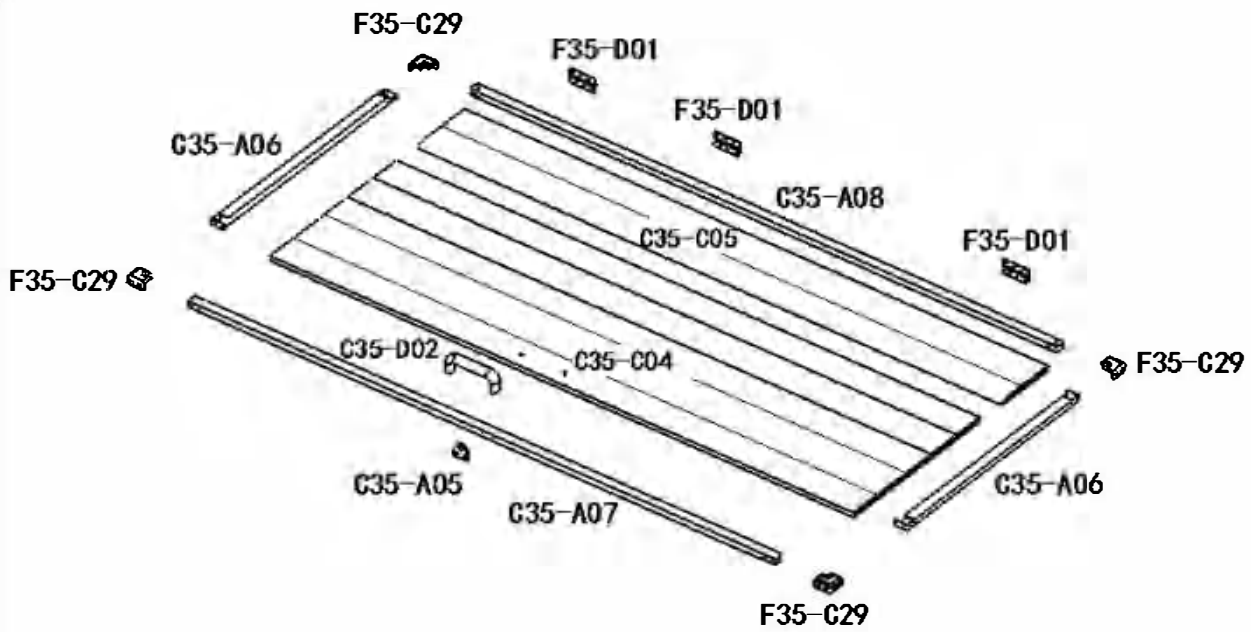
<p>C35-C11</p> 	<p>C35-C12</p> 	<p>C35-C18</p> 	<p>C35-C19</p> 
<p>400*1480*14mm 1PC</p>	<p>510*1480*14mm 1PC</p>	<p>75*54*1390mm 2PCS</p>	<p>75*54*810mm 2PCS</p>
<p>F35-C30</p> 	<p>C35-A11</p> 		
<p>100*100*45mm 4PCS</p>	<p>860*66*16 1PC</p>		



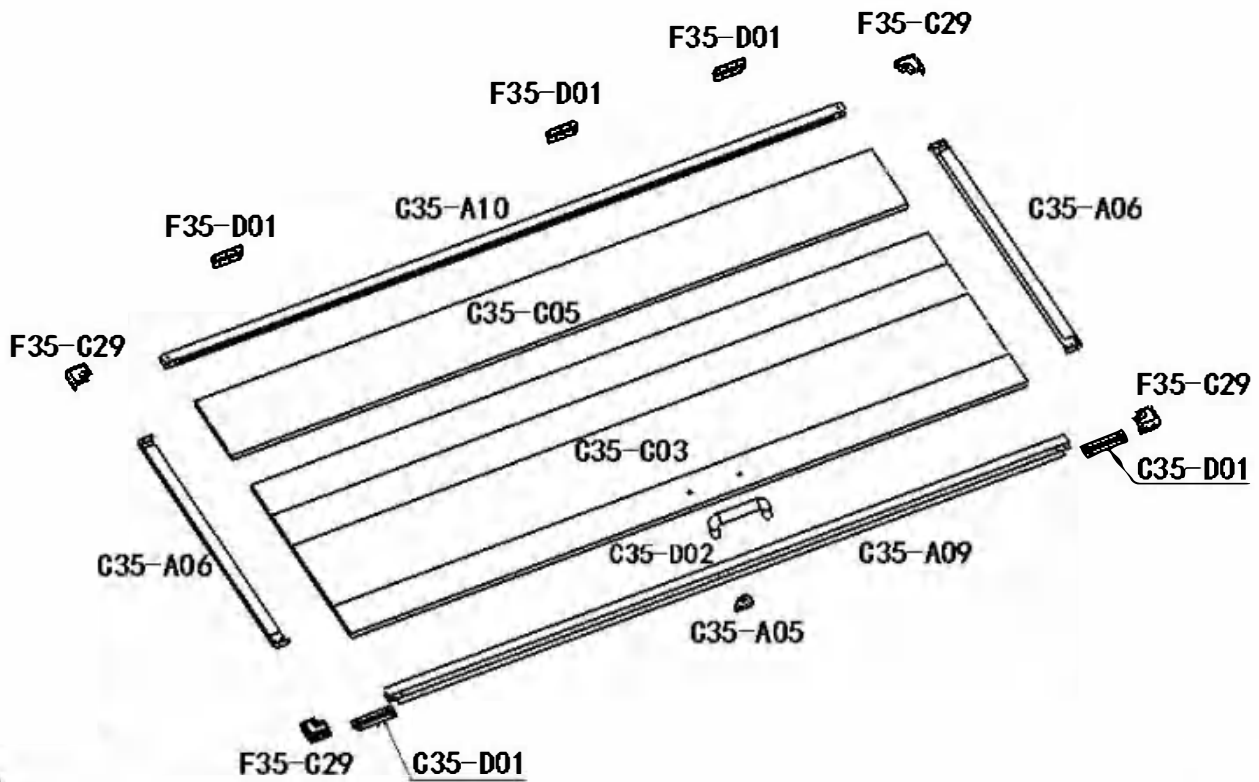
DOOR COMPONENTS

<p>C35-C03</p> 	<p>C35-C04</p> 	<p>C35-C05</p> 	<p>F35-C29</p> 
<p>492*1616*14mm 1PC</p>	<p>492*1616*14mm 1PC</p>	<p>183*1616*14mm 2PCS</p>	<p>47*47*21mm 8PCS</p>
<p>F35-D01</p> 	<p>C35-D01</p> 	<p>C35-D02</p> 	<p>C35-A05</p> 
<p>70*40mm 6PCS</p>	<p>45*23*97mm 2PCS</p>	<p>55*18*138mm 2PCS</p>	<p>39*40*3.0mm 2PCS</p>
<p>C35-A06</p>  <p>16.6*35.8*669mm 4PCS</p>			
<p>C35-A07</p>  <p>18*27*1620mm 1PCS</p>			
<p>C35-A08</p>  <p>18*27*1620mm 1PC</p>			
<p>C35-A09</p>  <p>18*46*1620mm 1PC</p>			
<p>C35-A10</p>  <p>18*27*1620mm 1PC</p>			










RIGHT DOOR





LEFT DOOR

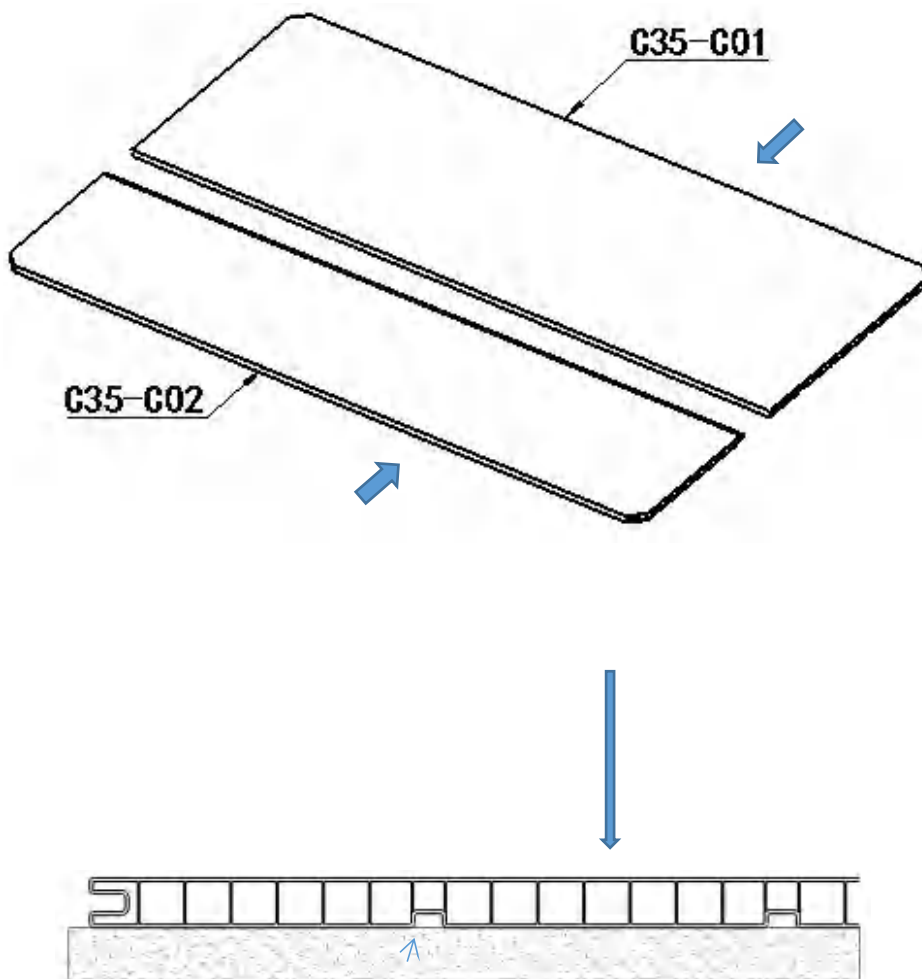


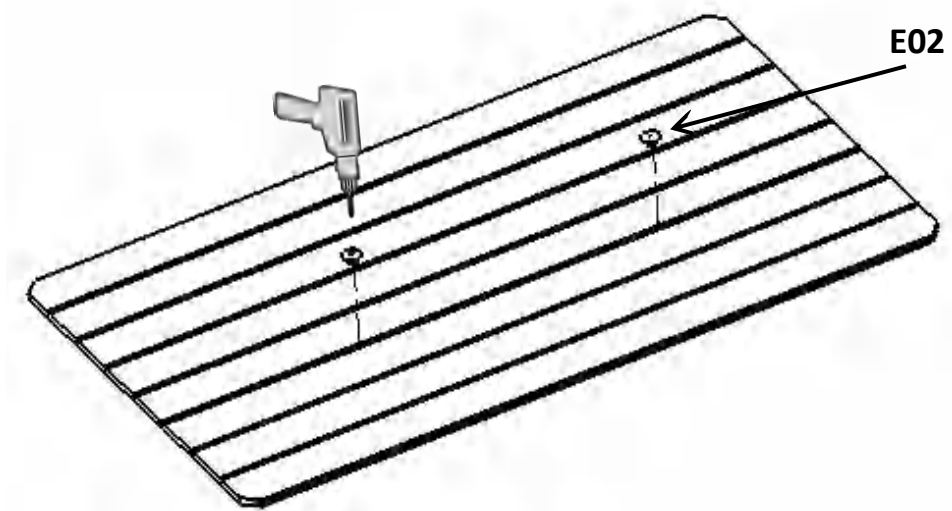
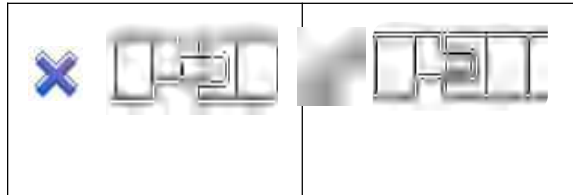
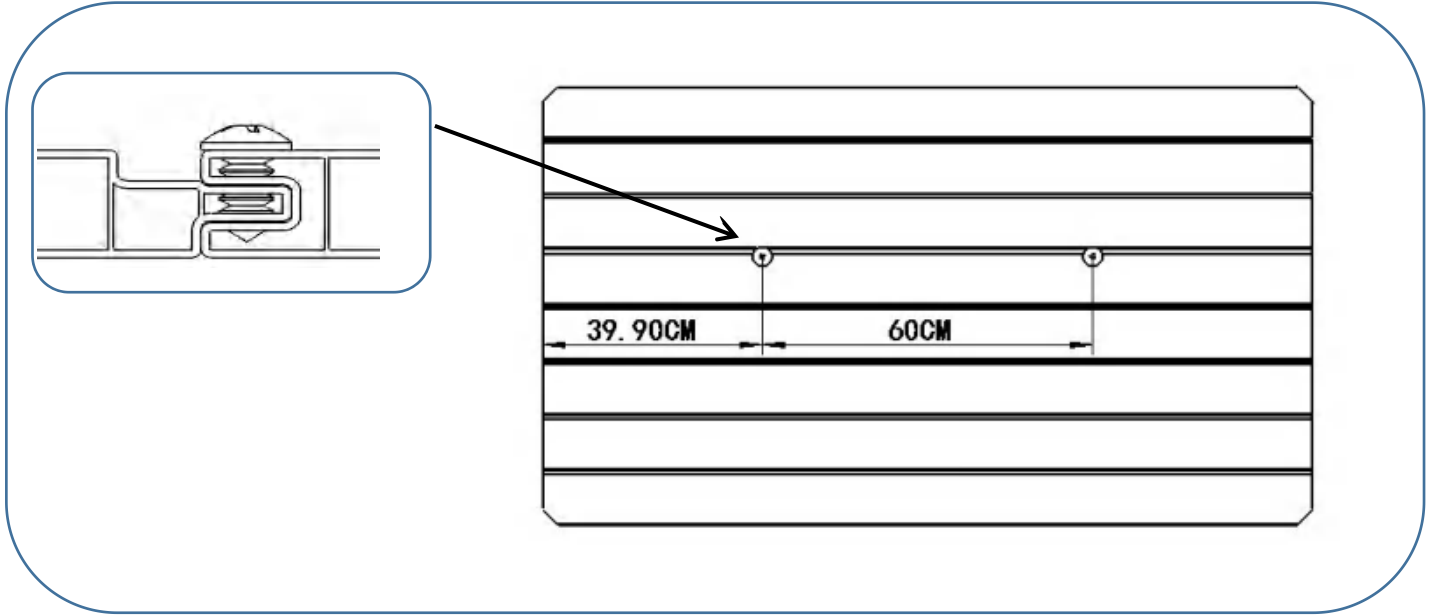
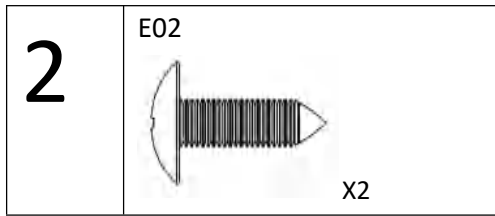
SCREWS



<p>E01</p> 	<p>E02</p> 	<p>E03</p> 	<p>E04</p> 	<p>E05</p> 
<p>4.2*13mm 36PCS</p>	<p>4.2*12mm 194PCS</p>	<p>4.8*19mm 24PCS</p>	<p>5.5*50mm 4PCS</p>	<p>M8*25mm 4PCS</p>
<p>E06</p> 	<p>E07</p> 	<p>E08</p> 	<p>E12</p> 	
<p>∅ 24* ∅ 8.4*1.5 4PCS</p>	<p>M4*12mm 8PCS</p>	<p>M4*3.2mm 8PCS</p>	<p>M4*12mm 36PCS</p>	

PRODUCT ASSEMBLY

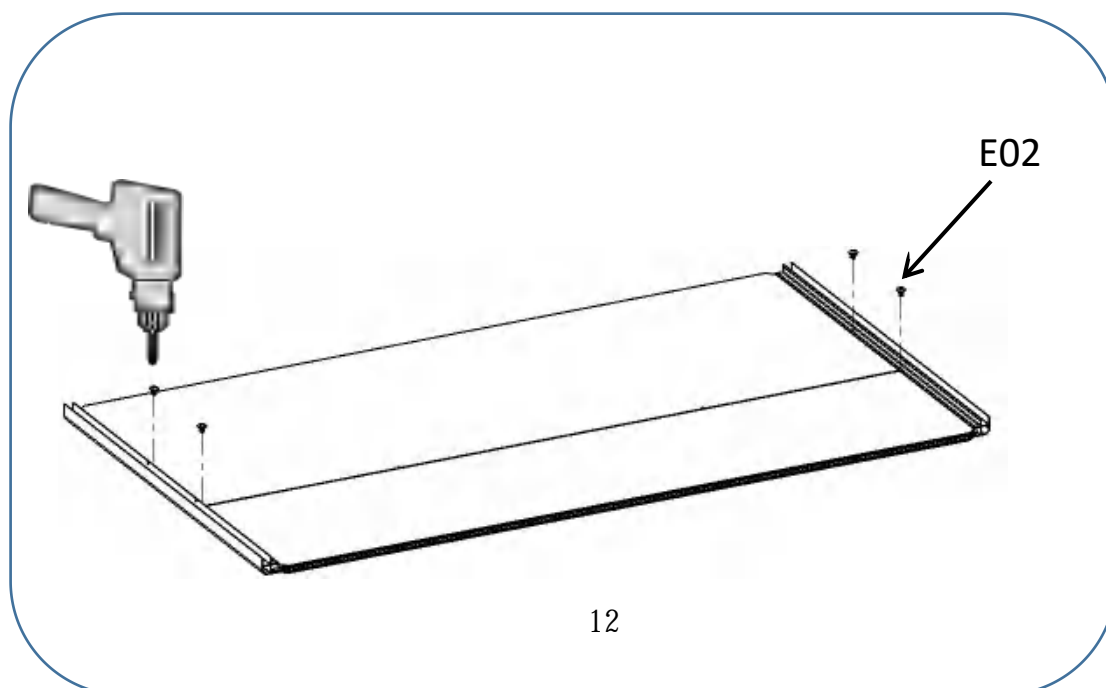
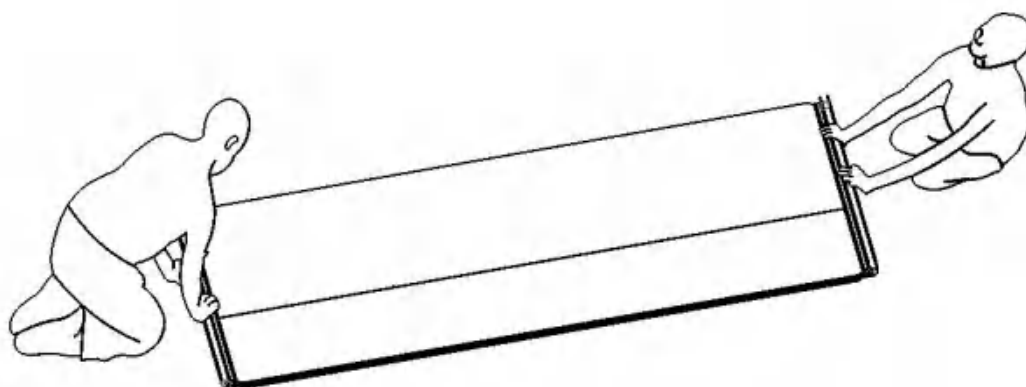
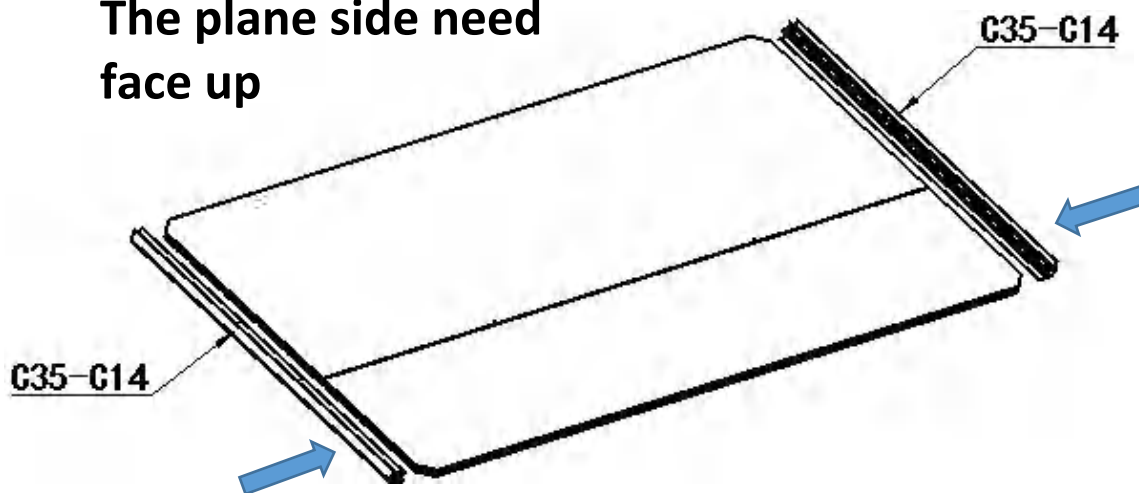
1 BASEMENT	C35-C01  X1	C35-C02  X1	AFTER FINISHED ASSEMBLY, WE CALL THIS PART "A"
----------------------	---	---	--





3	C35-C14  X2	E02  X4

ATTENTION:
The plane side need
face up



4

C35-C17



X1

F35-C28



X1

C35-C20



X1

F35-C27



X2

C35-C13

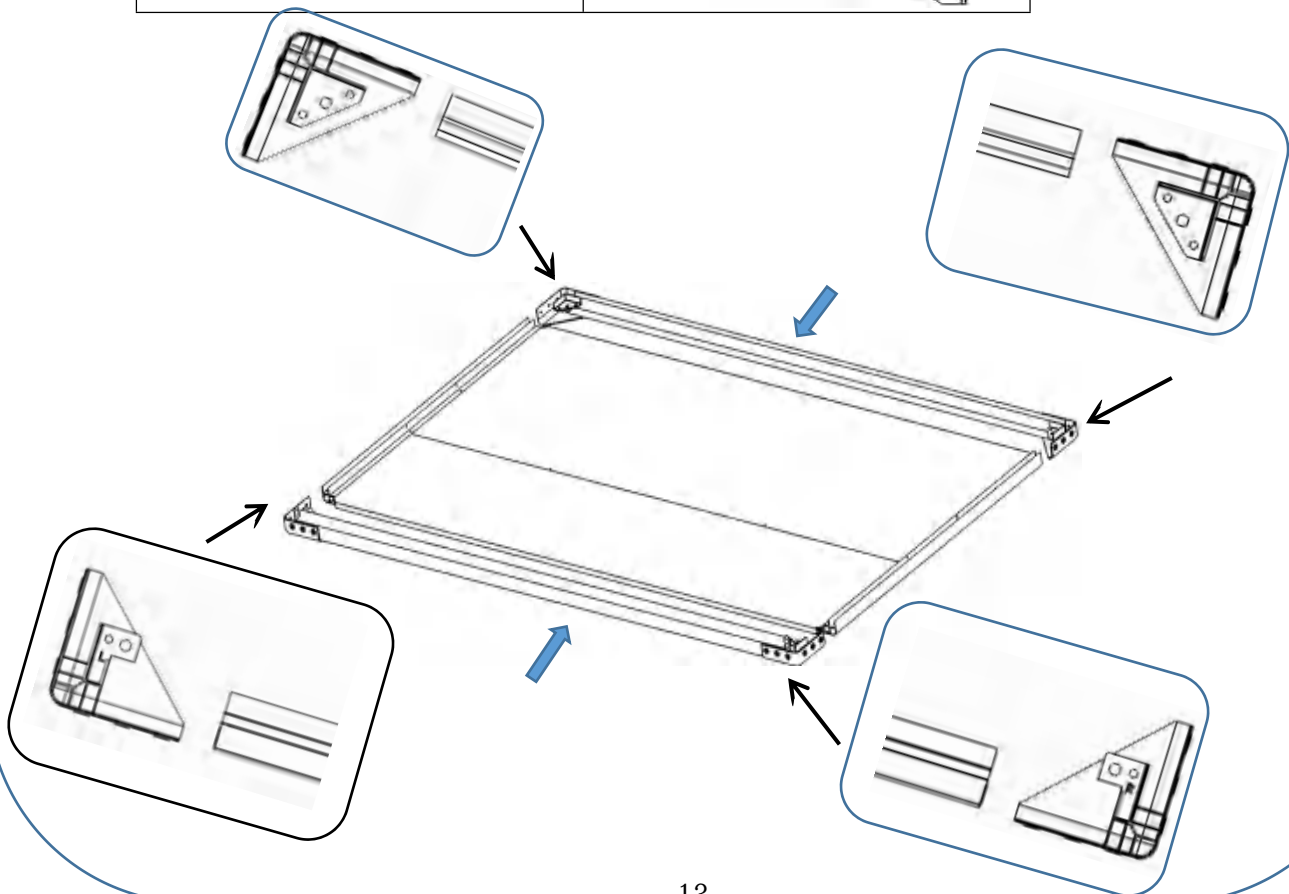
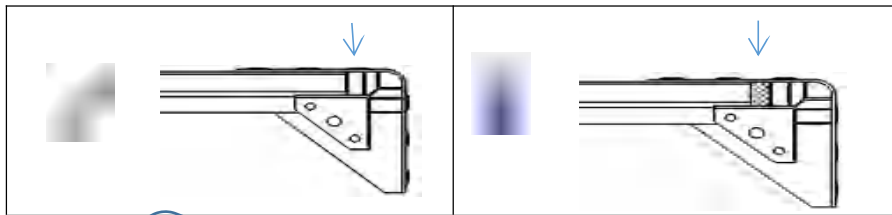
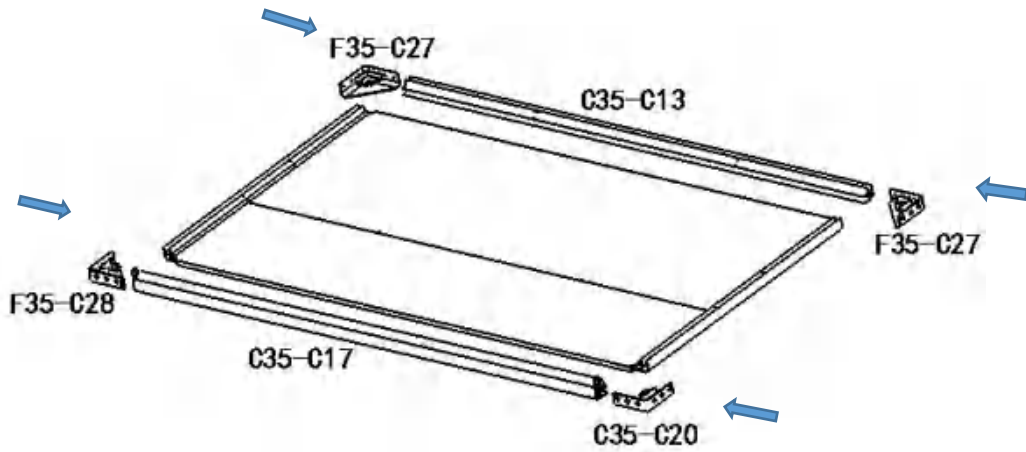


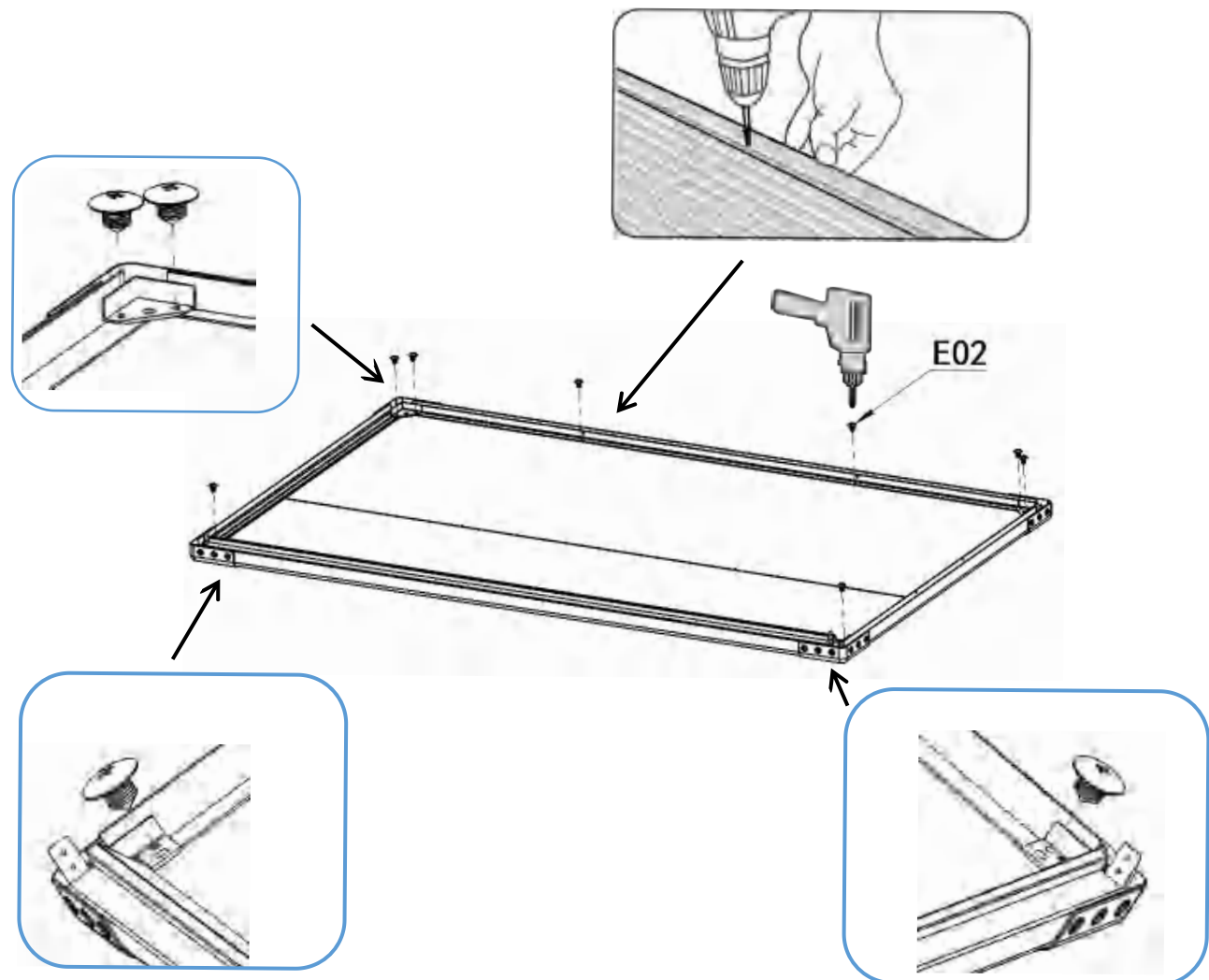
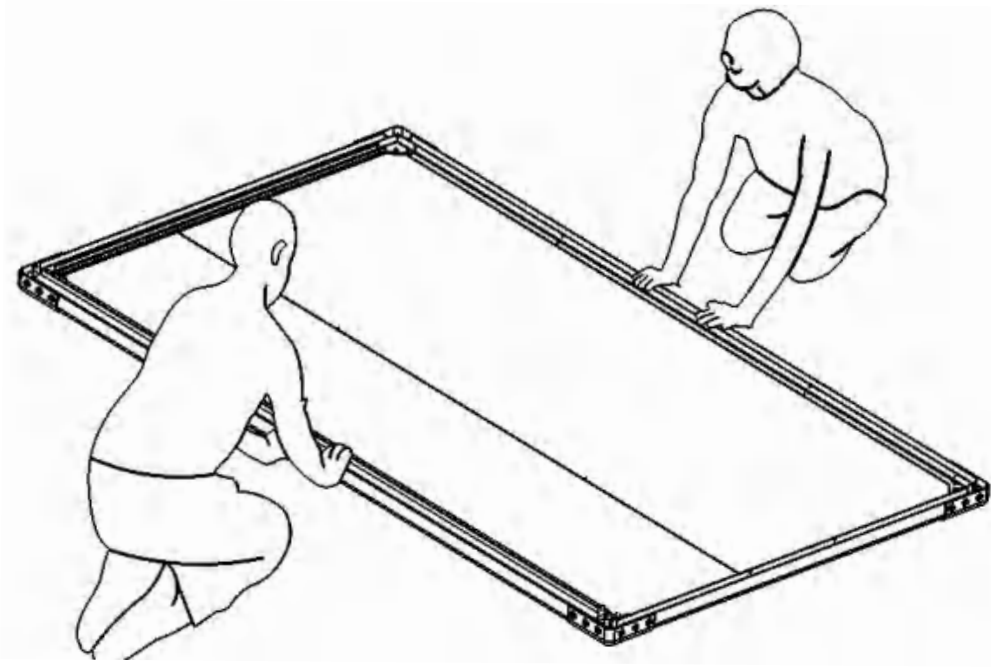
X1

E02



X8





5

BACKWALL

C35-C10



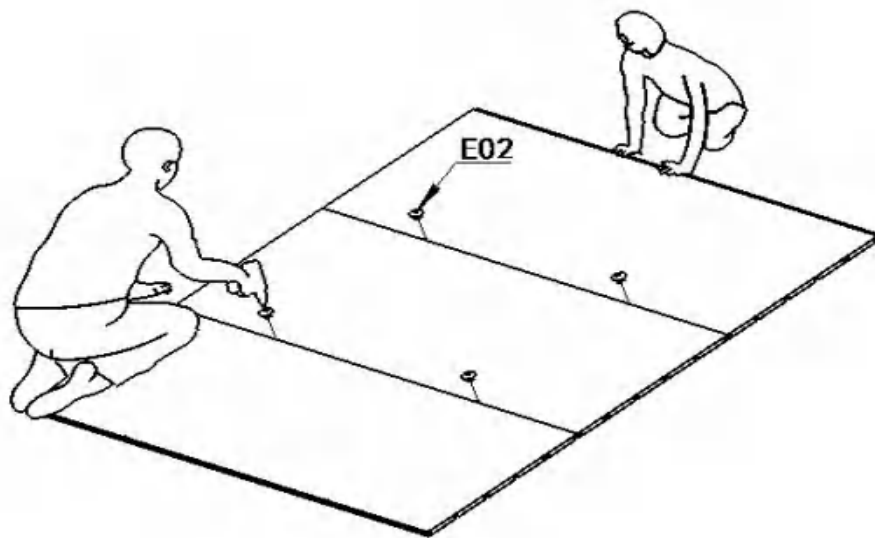
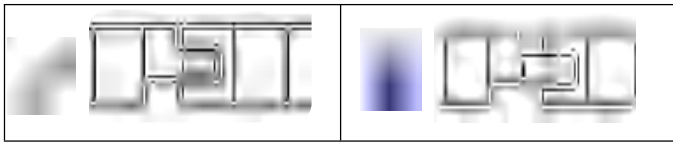
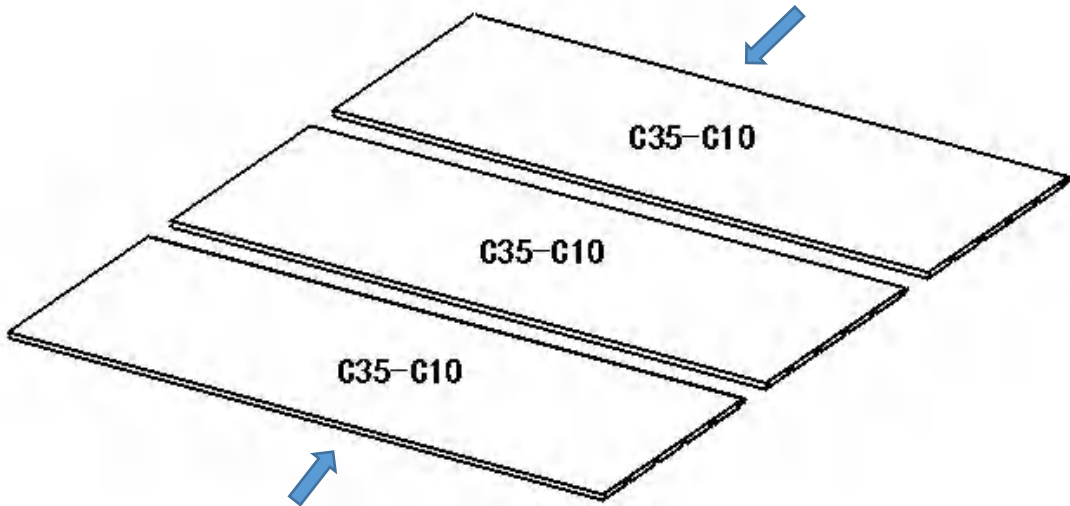
X3

E02



X4

AFTER FINISHED
ASSEMBLY, WE
CALL THIS PART
"B"



6

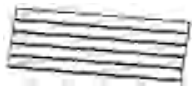
RIGHT
WALL

C35-C06



X1

C35-C07

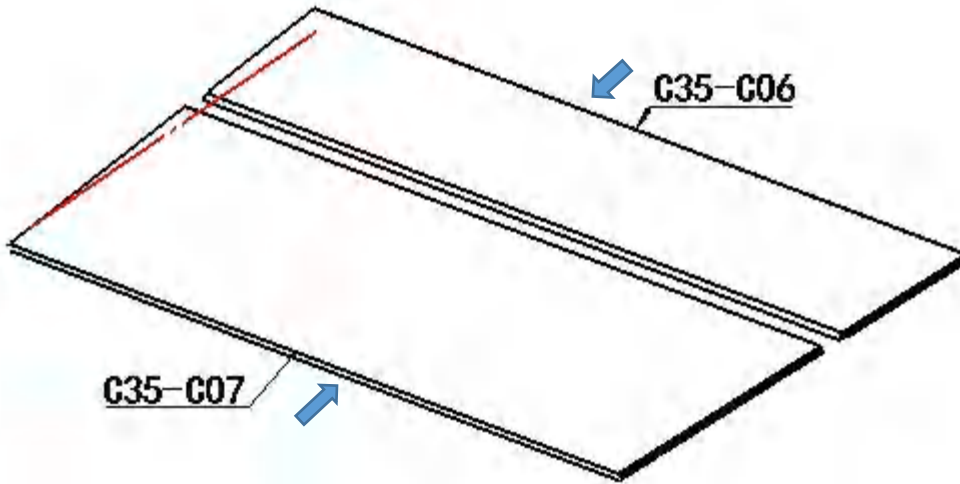


X1

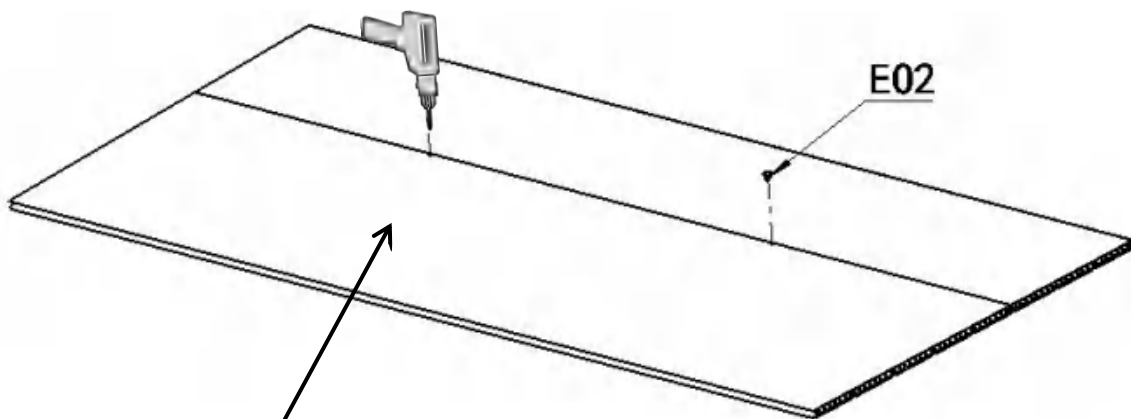
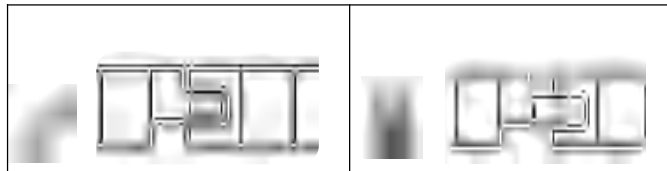
E02



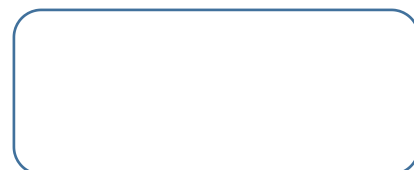
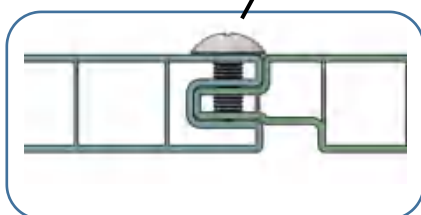
X2



AFTER FINISHED
ASSEMBLY, WE CALL
THIS PART "C"



E02



7

LEFT
WALL

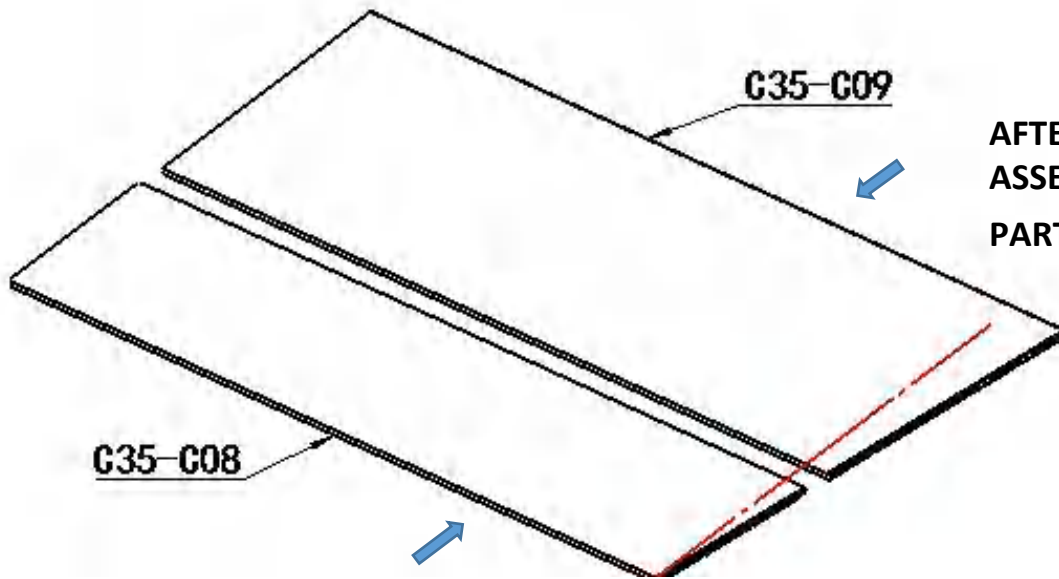
C35-C08



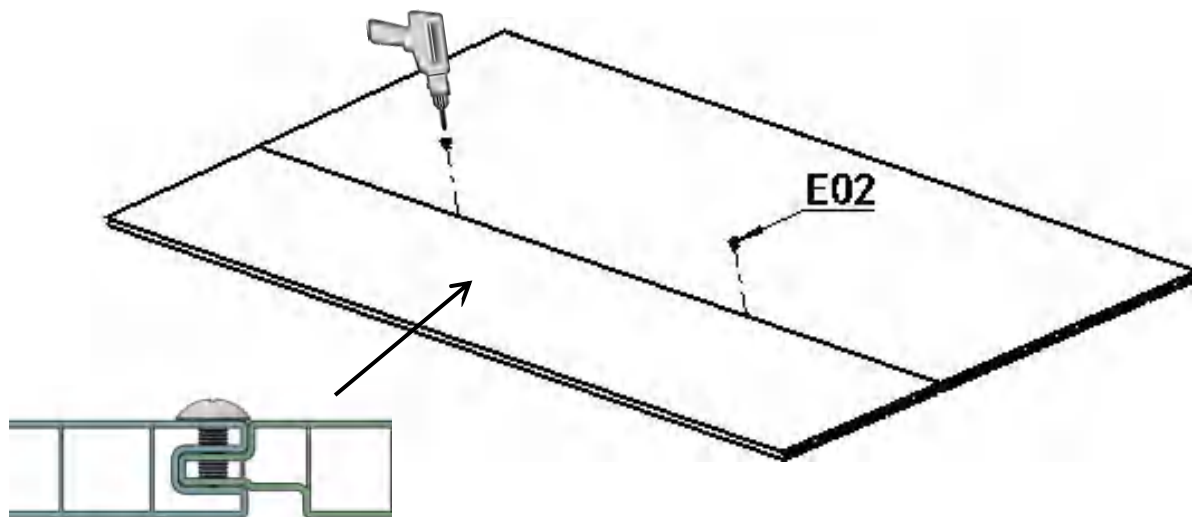
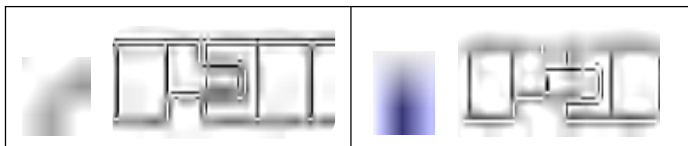
C35-C09



E02



AFTER FINISHED
ASSEMBLY, WE CALL THIS
PART "D"



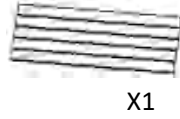
8

ROOF

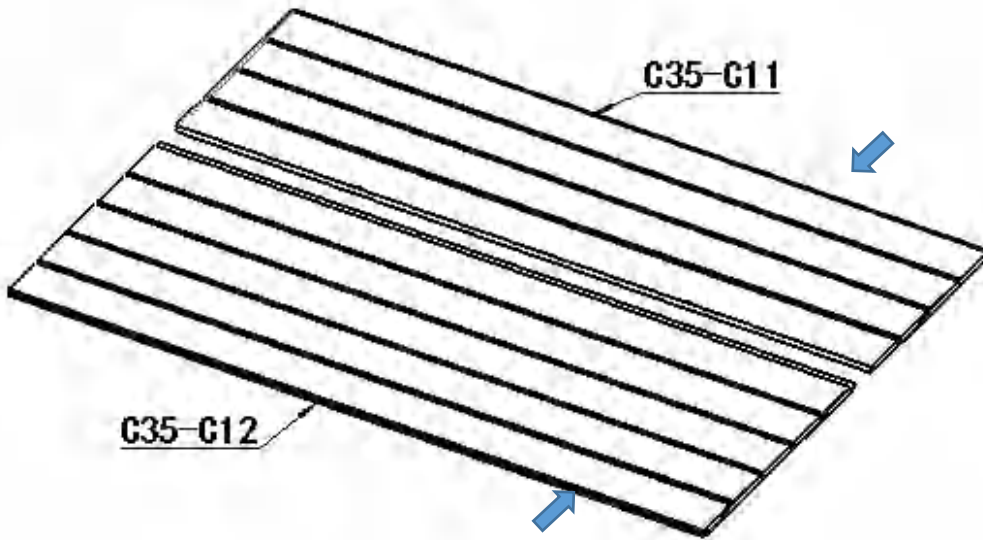
C35-C11



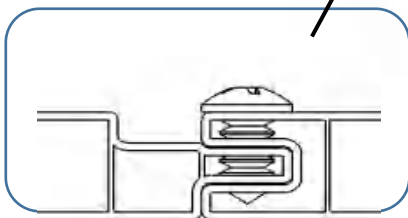
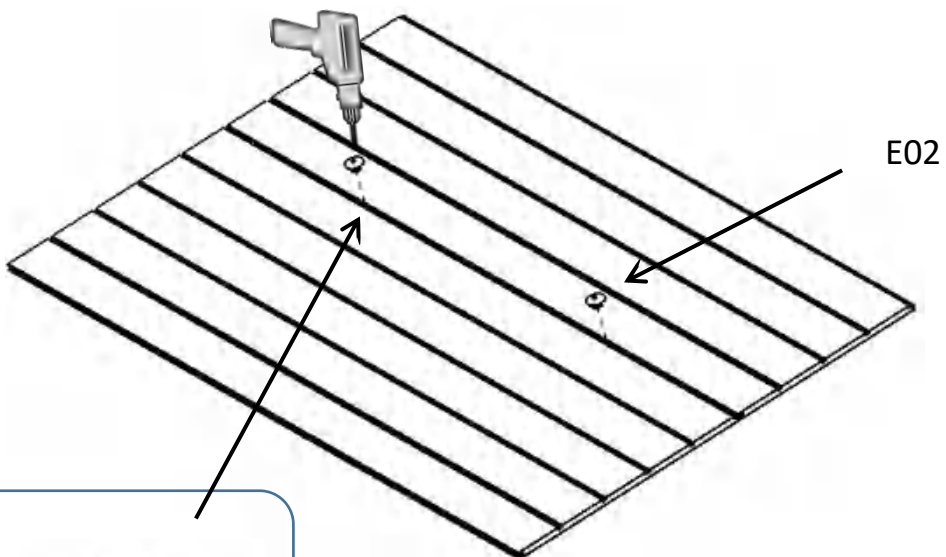
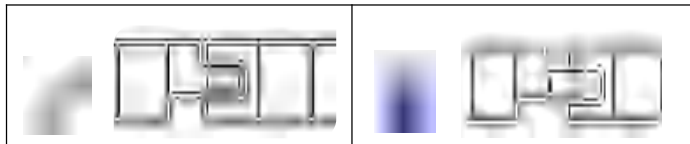
C35-C12



E02



**AFTER FINISHED
ASSEMBLY, WE CALL
THIS PART "E"**



9

LEFT
DOOR

C35-C03



X1

C35-C05



X1

C35-A06



X2

C35-A09



X1

C35-A10



X1

C35-D01

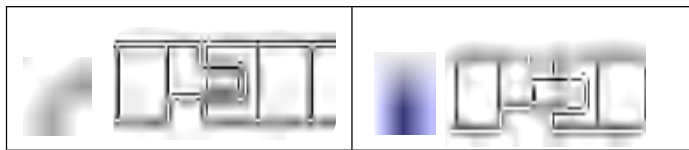
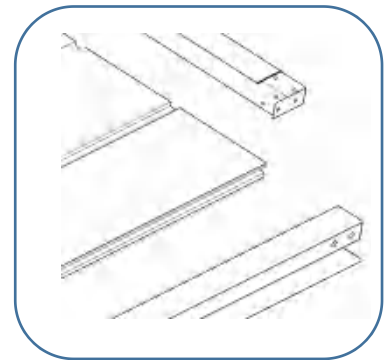
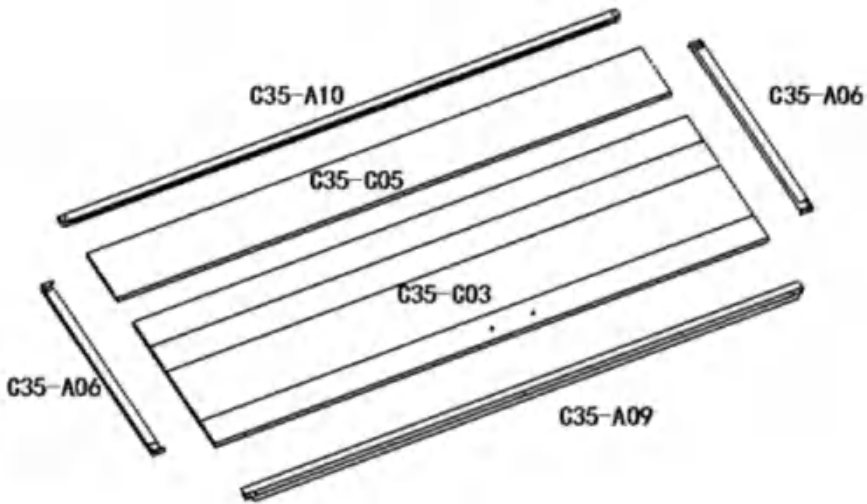


X2

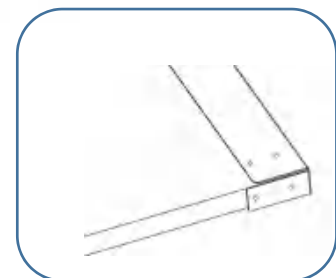
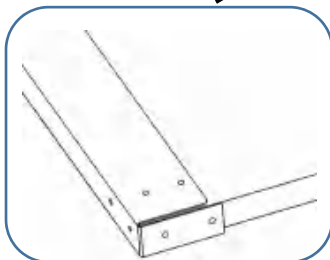
E02

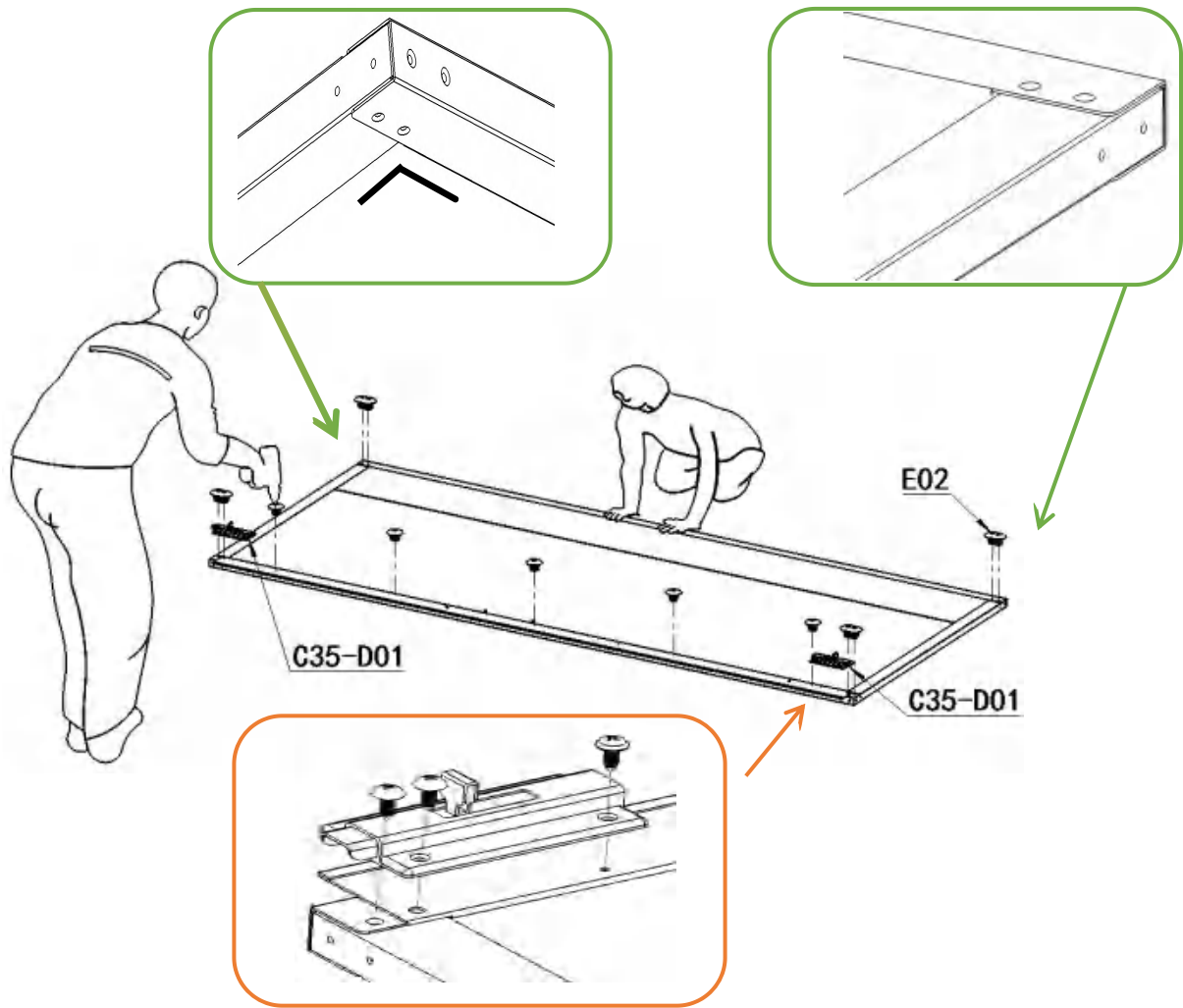




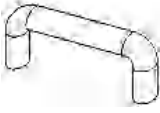



X13

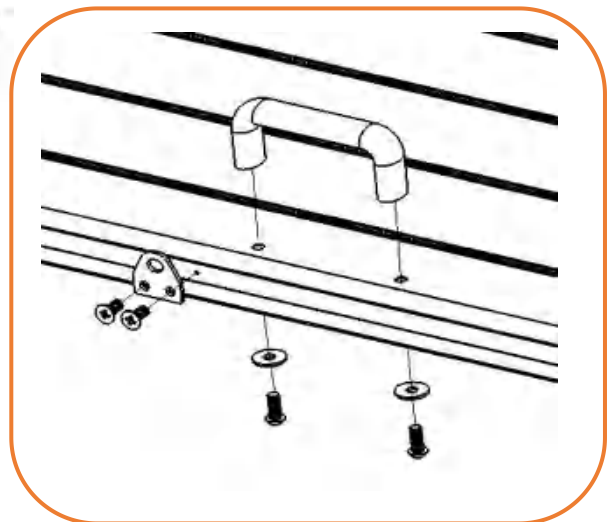
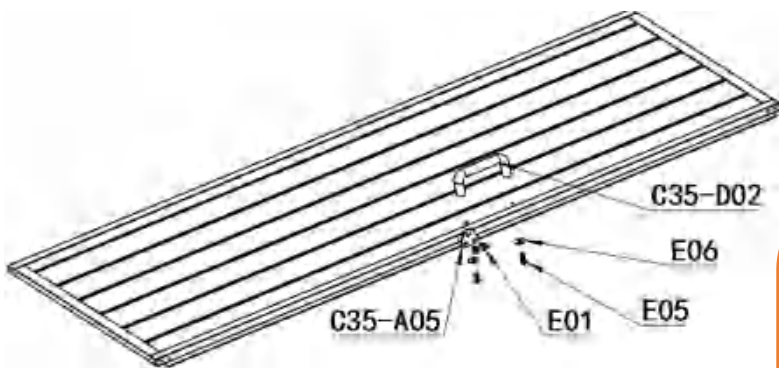


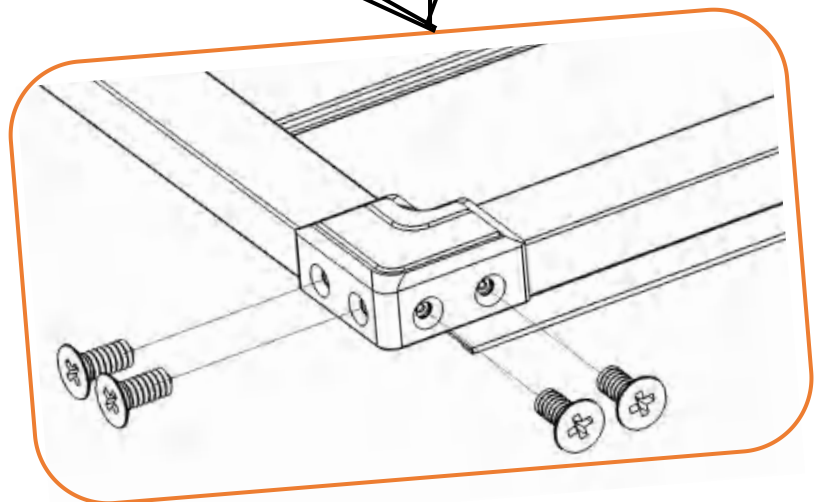
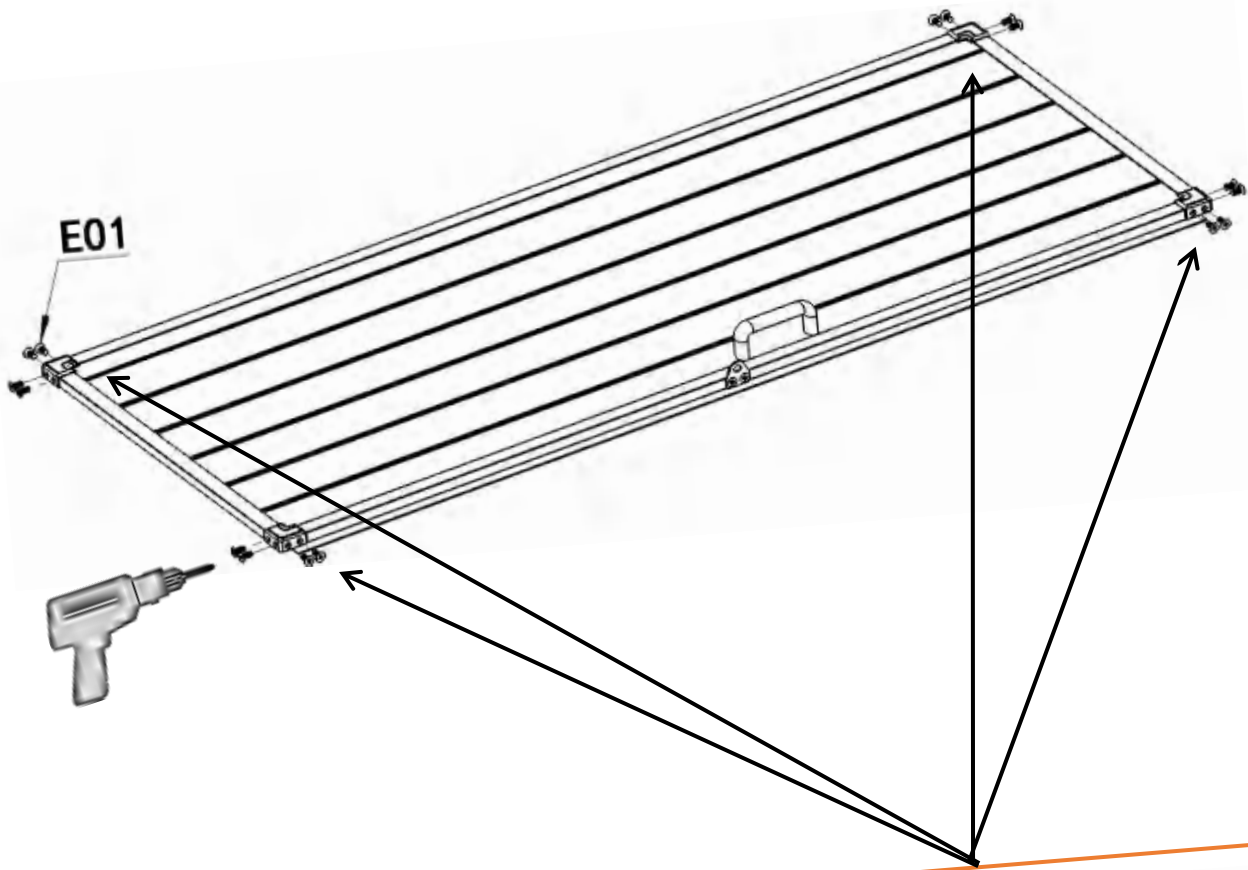
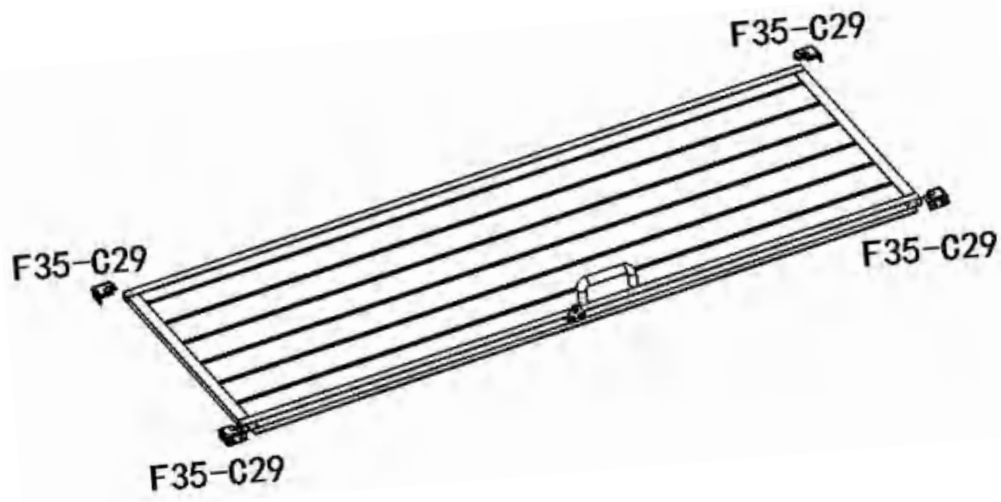
**TURN
OVER**




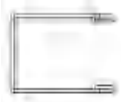


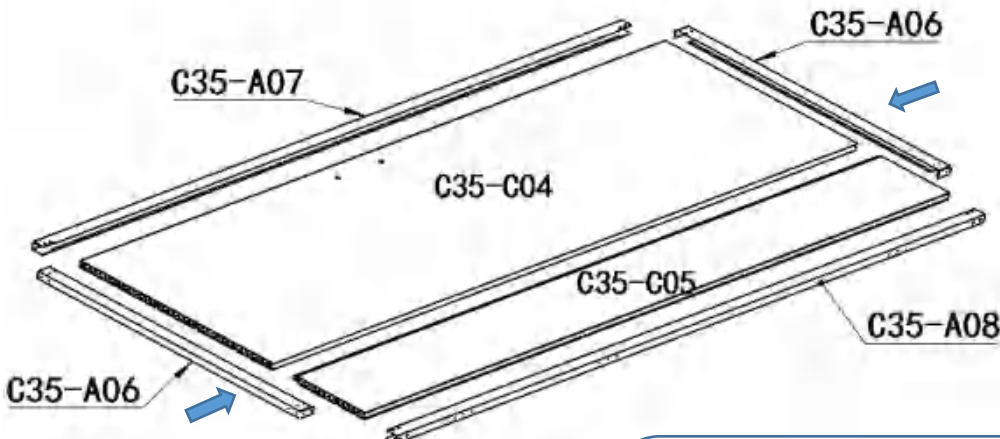


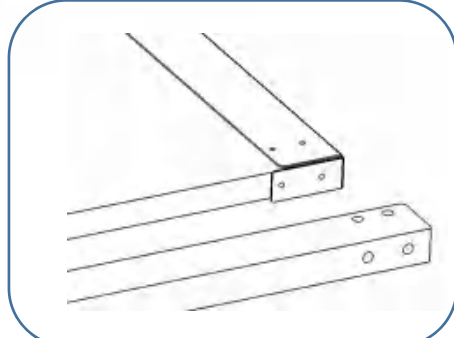
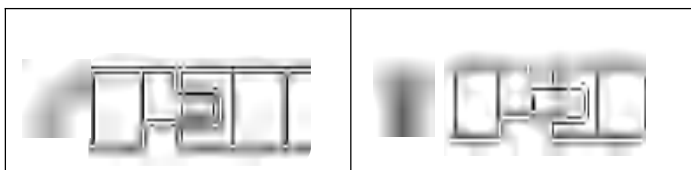
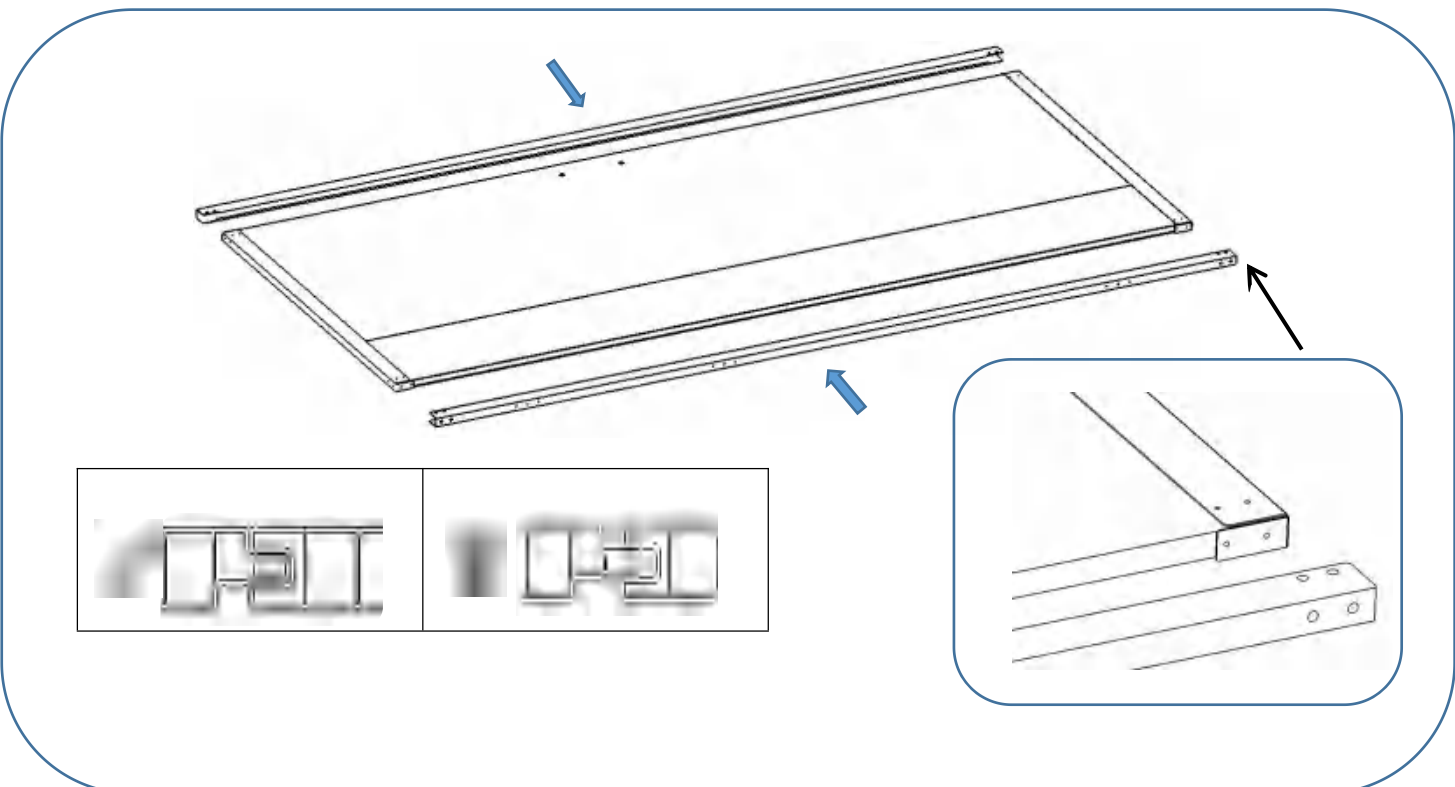
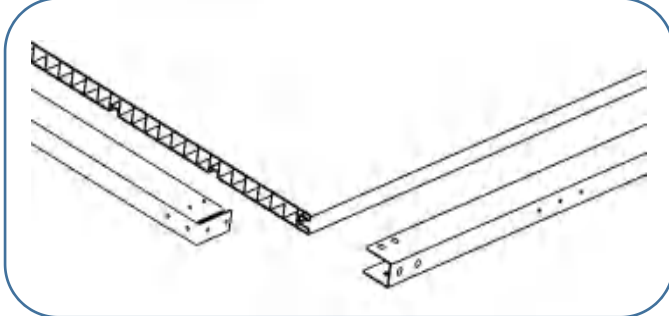
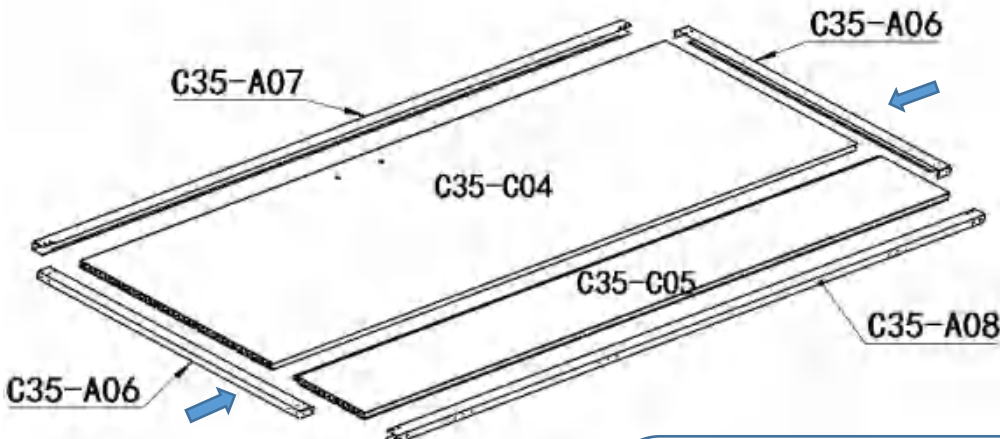


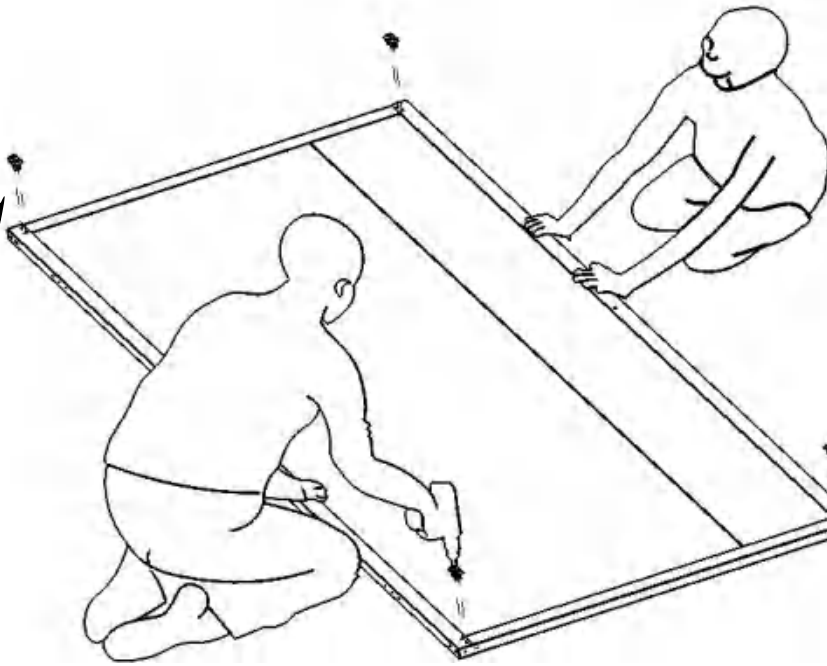
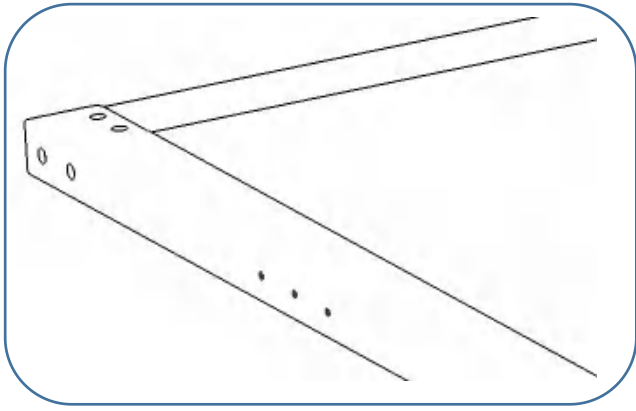
10	F35-C29	C35-A05	C35-D02	E01	E05	E06
						
	X4	X1	X1	X18	X2	X2



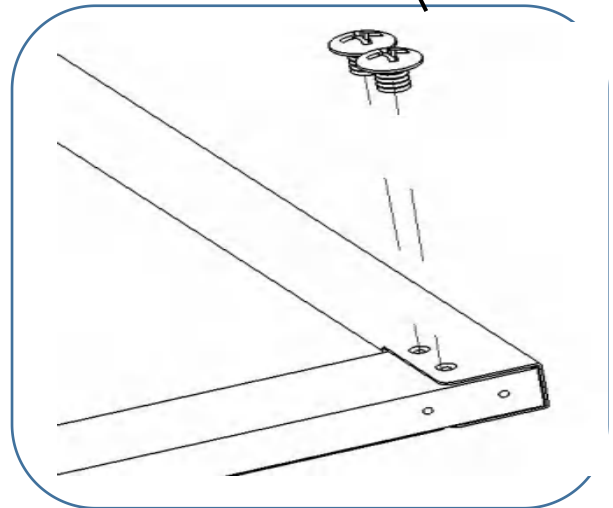
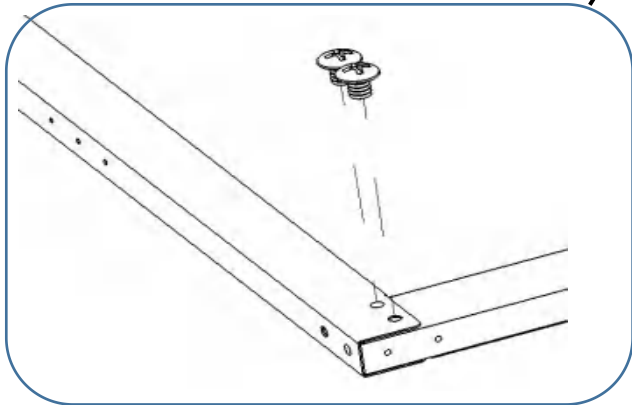




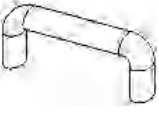



<h1>11</h1> <p>RIGHT DOOR</p>	<p>C35-C04</p>  <p>X1</p>	<p>C35-C05</p>  <p>X1</p>	<p>C35-A06</p>  <p>X2</p>	<p>C35-A07</p>  <p>X1</p>	<p>C35-A08</p>  <p>X1</p>	<p>E02</p>  <p>X8</p>
						

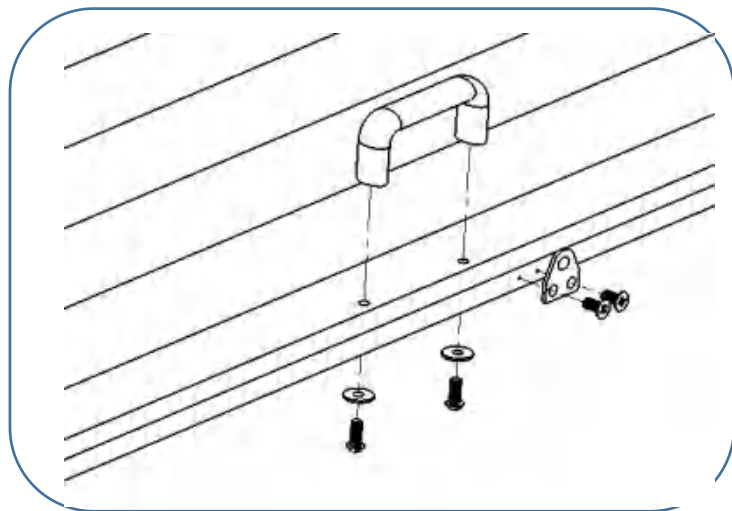
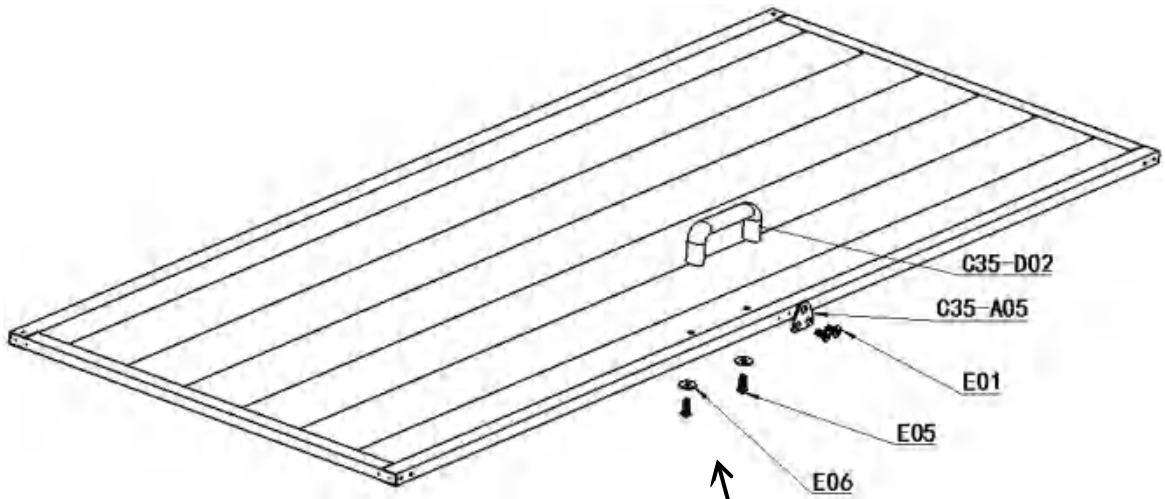


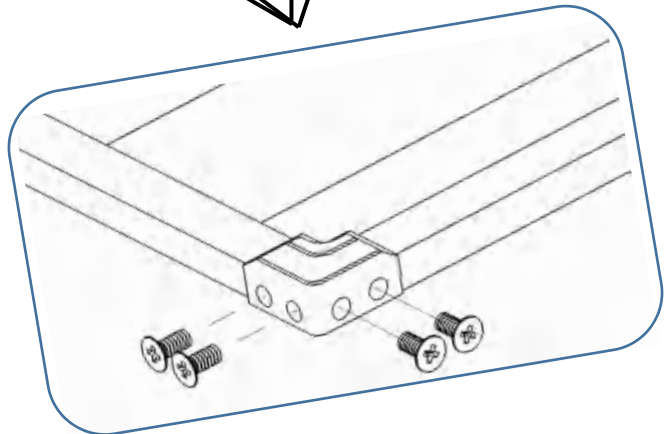
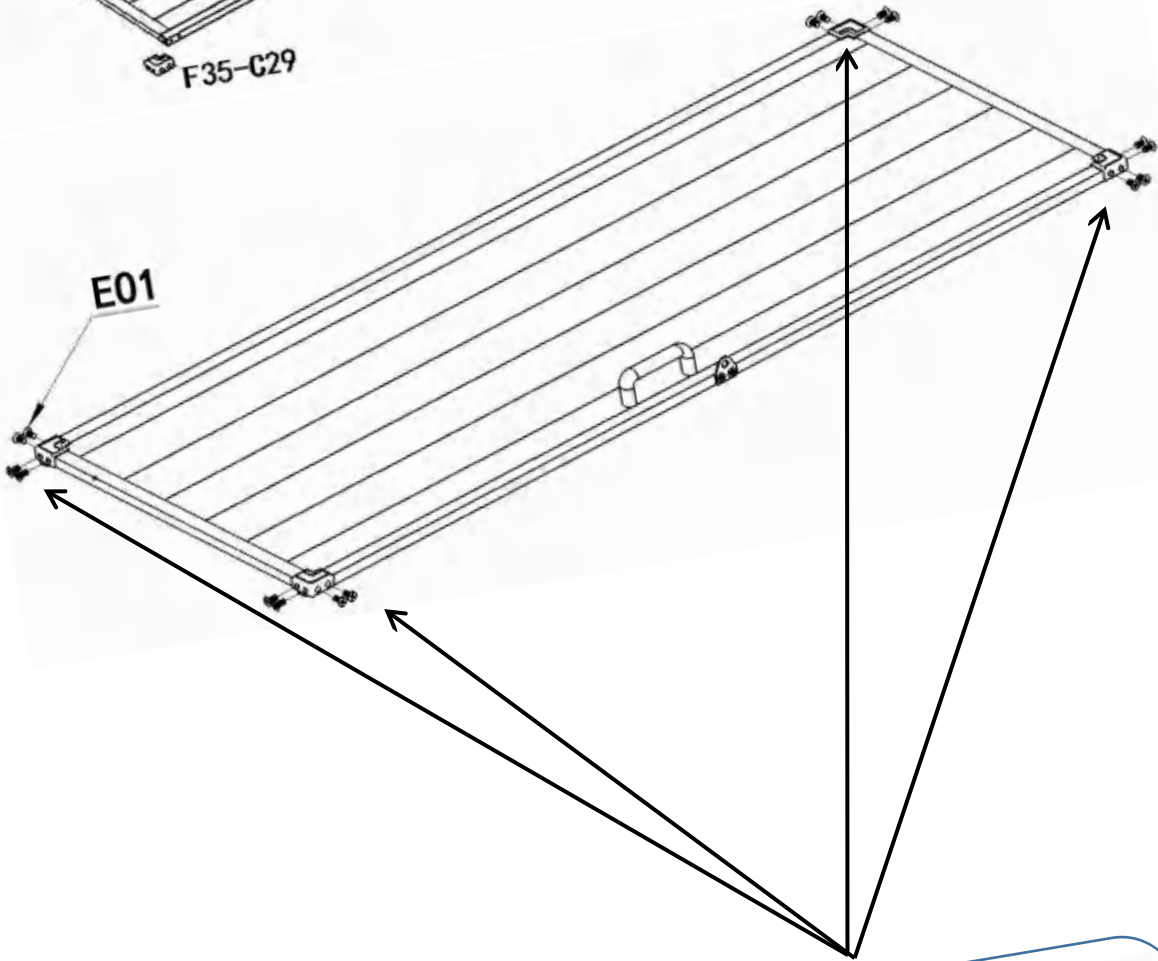
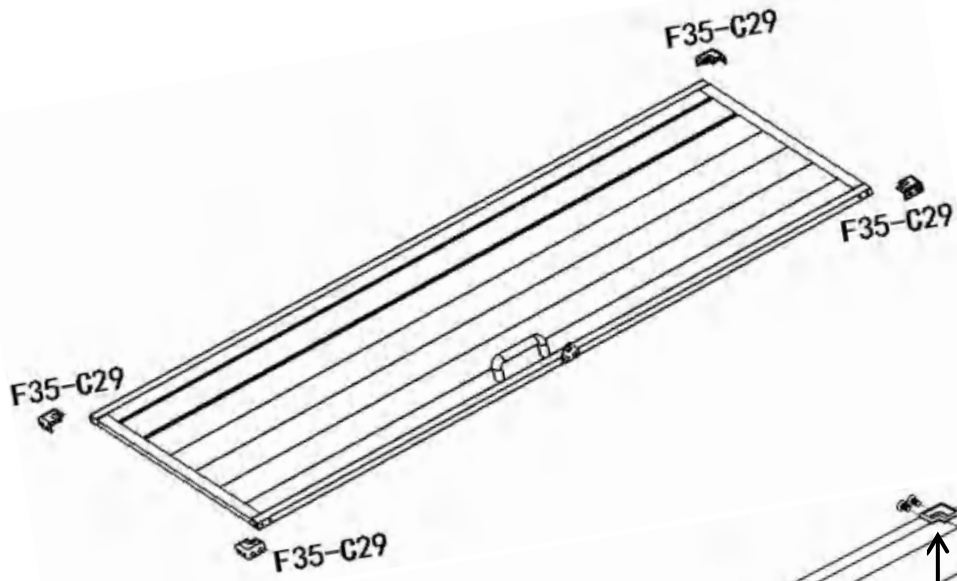


E02



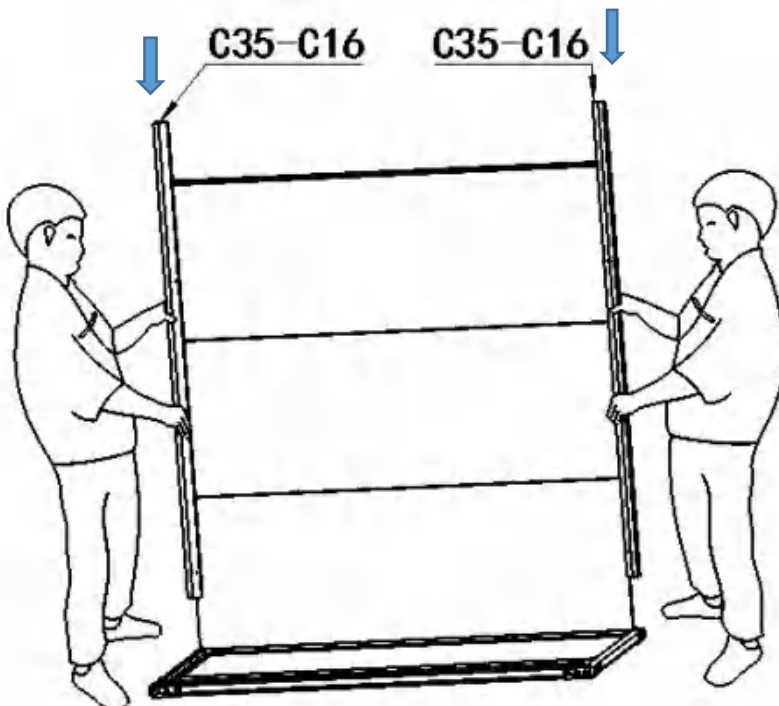
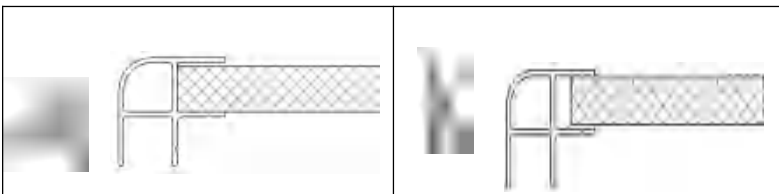
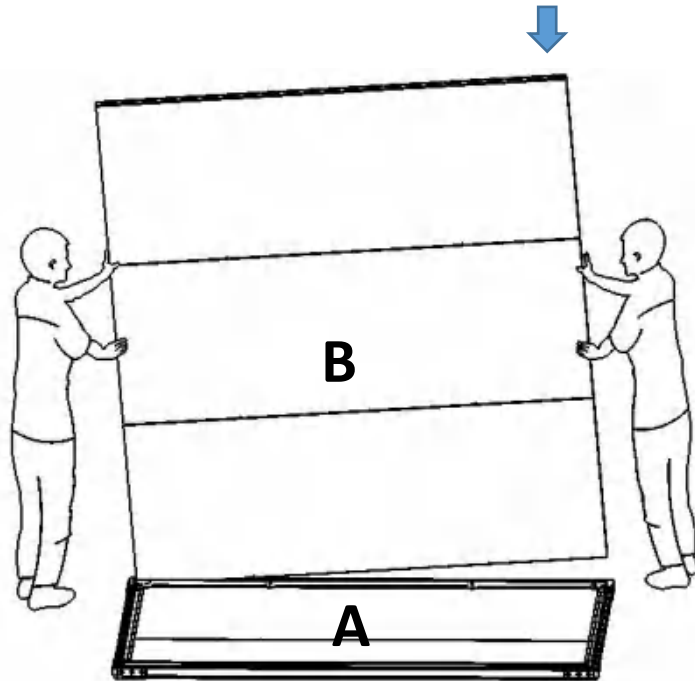
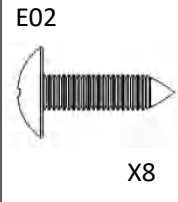
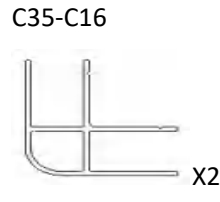
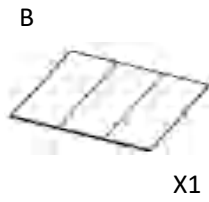
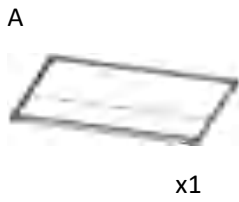
<h1>12</h1>	<p>F35-C29</p>  <p>X4</p>	<p>C35-A05</p>  <p>X1</p>	<p>C35-D02</p>  <p>X1</p>	<p>E01</p>  <p>X18</p>	<p>E05</p>  <p>X2</p>	<p>E06</p>  <p>X2</p>
-------------	--	--	--	--	--	--

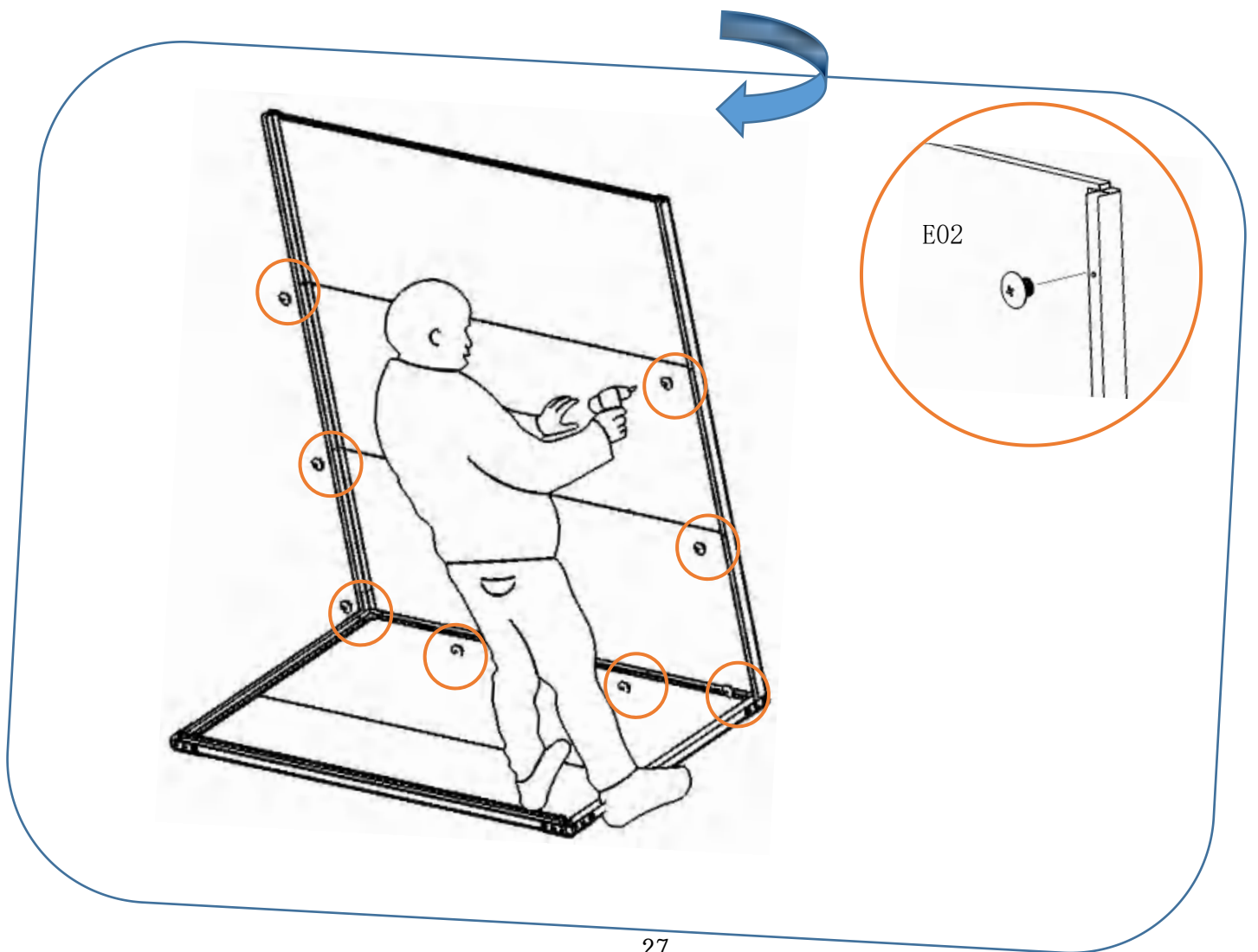
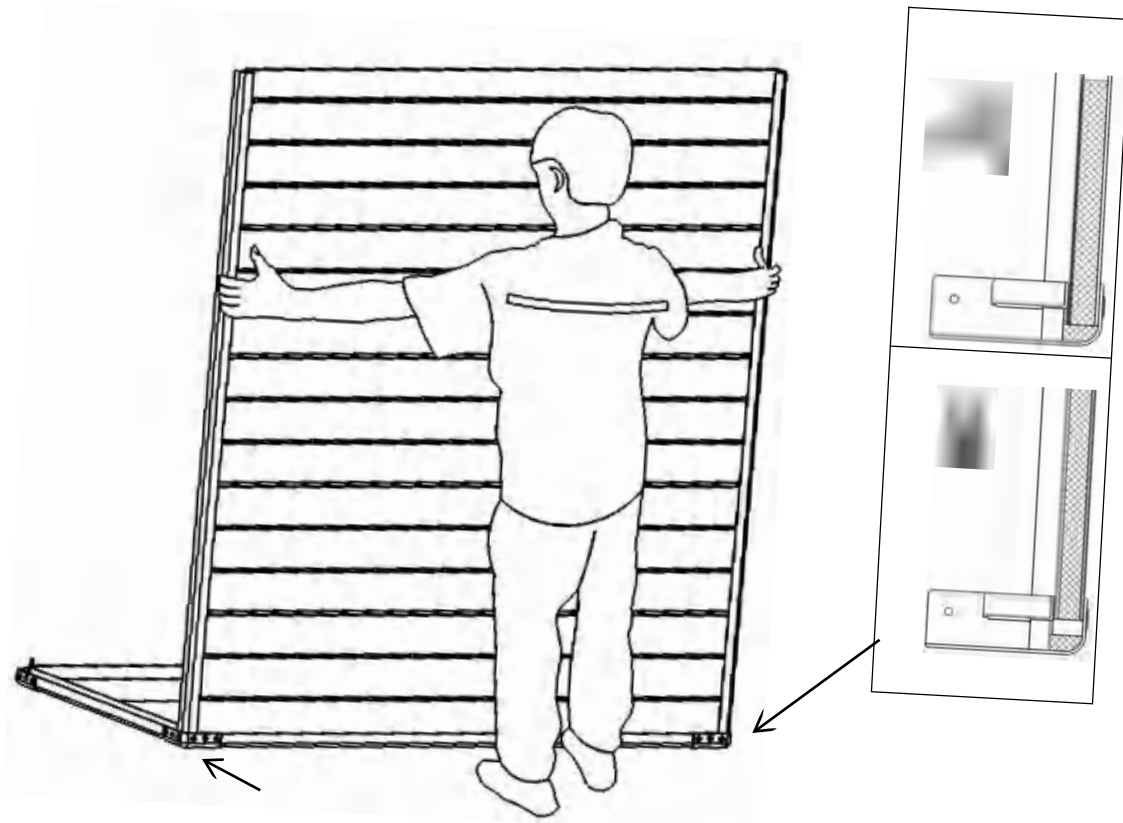




13

BACK WALL





14

LEFT WALL

D

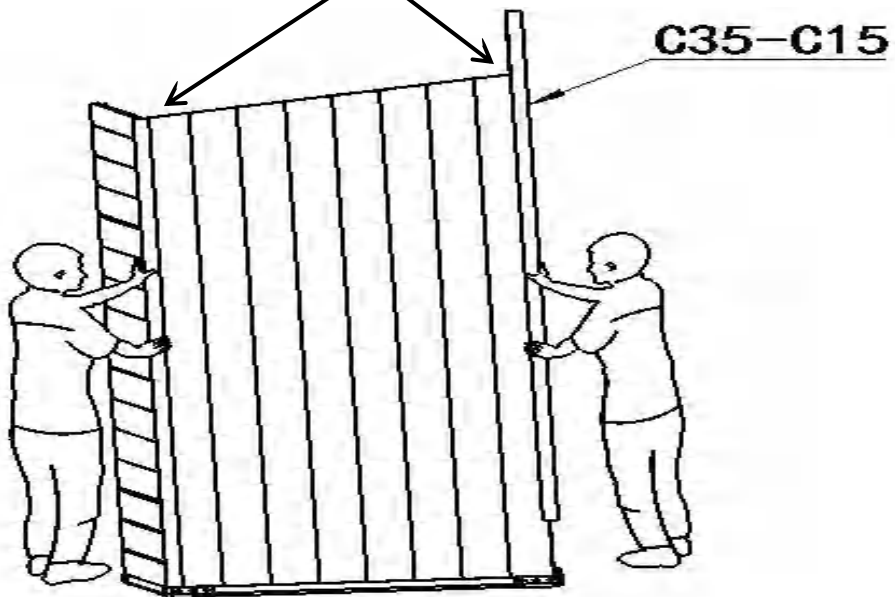
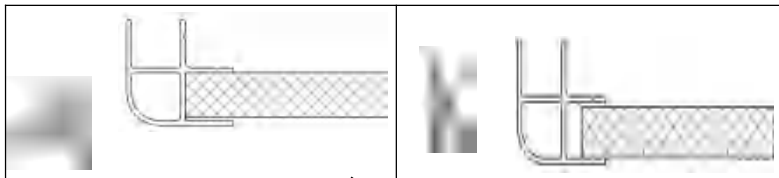
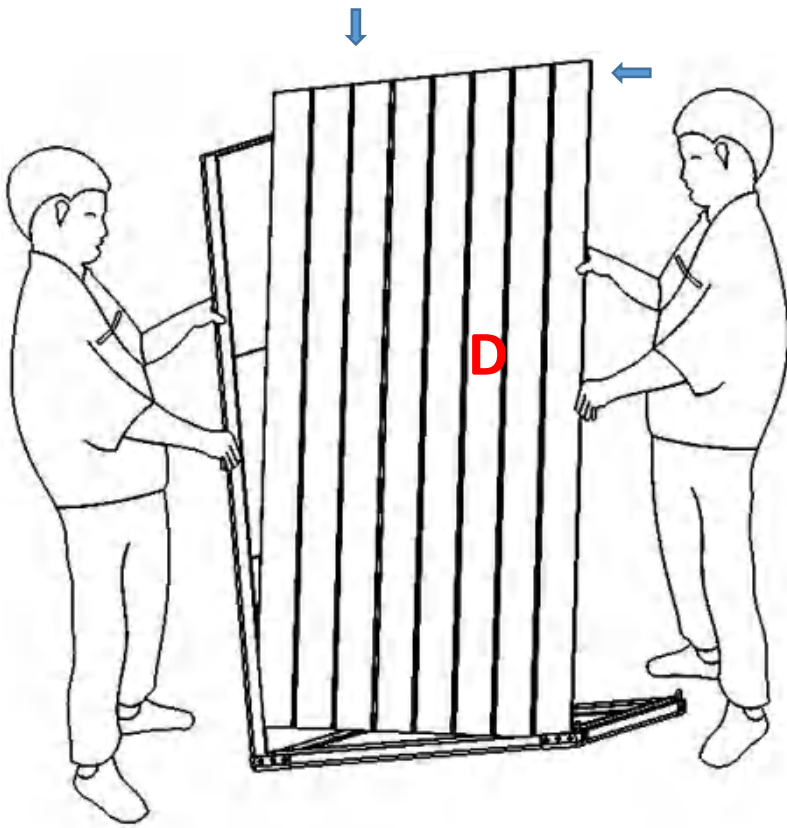



X1

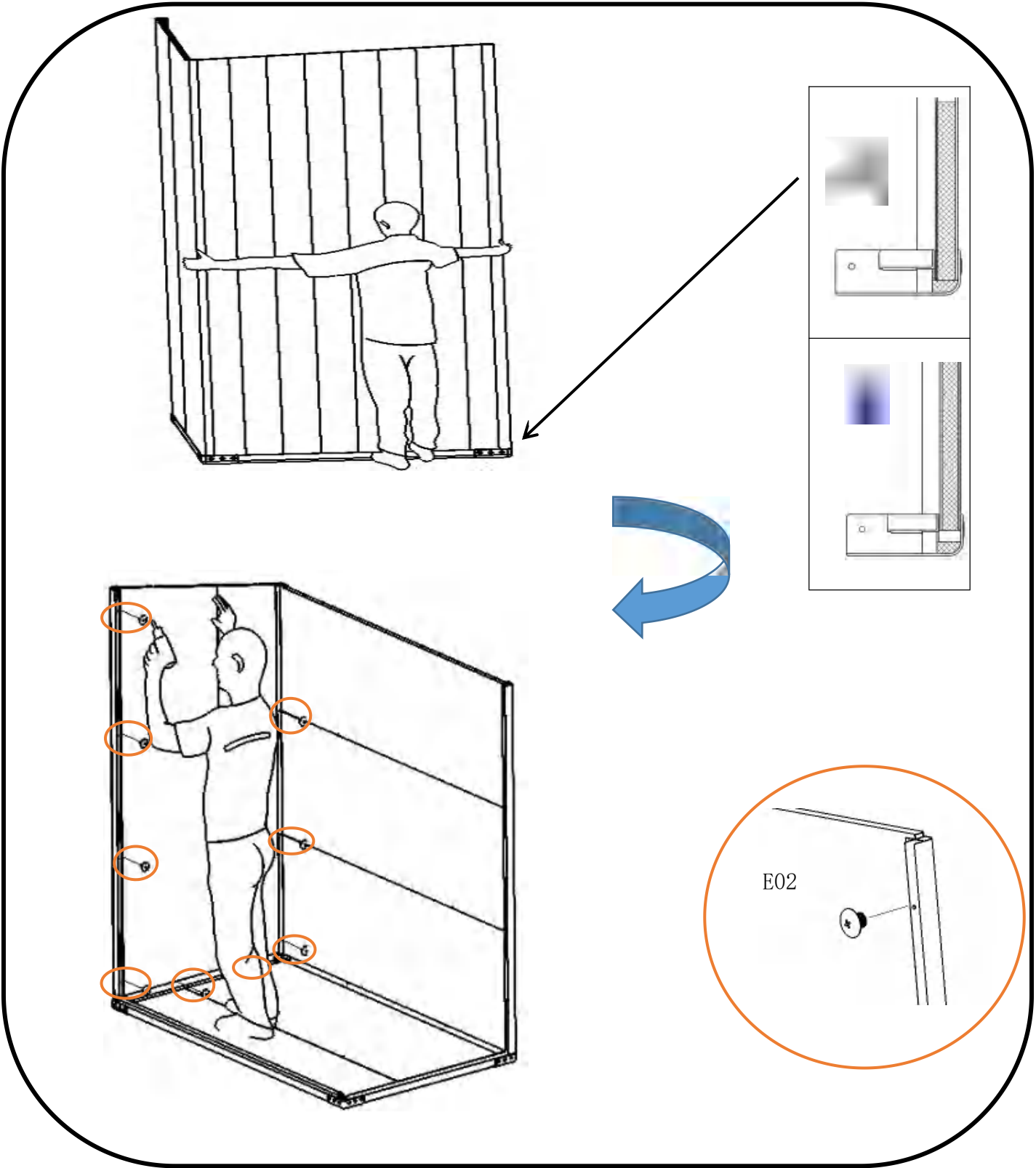
C35-C15



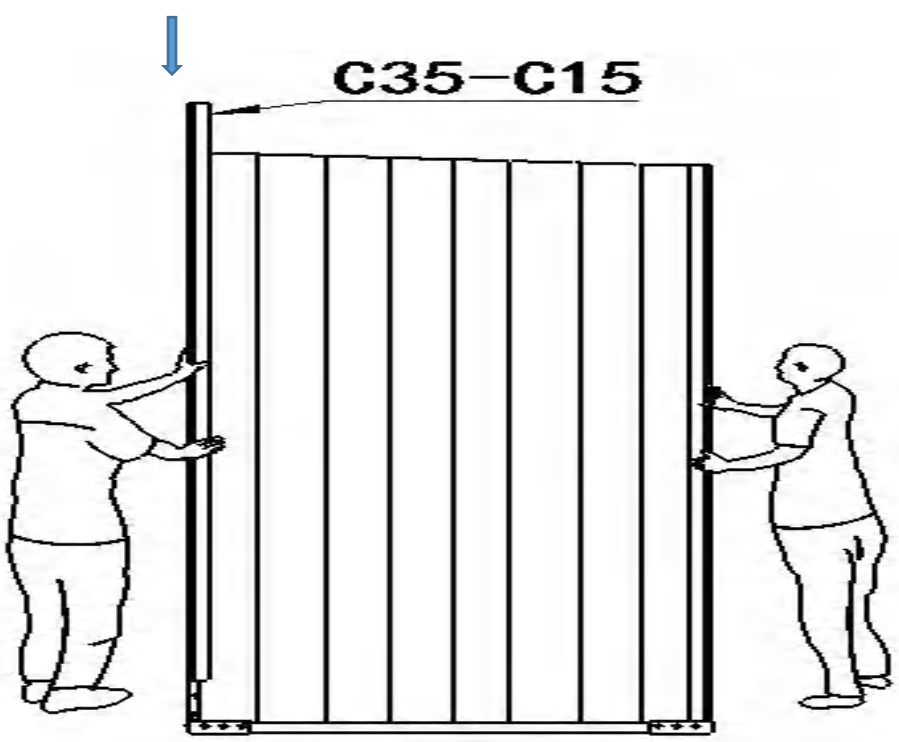
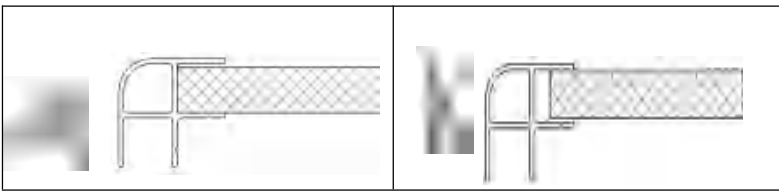
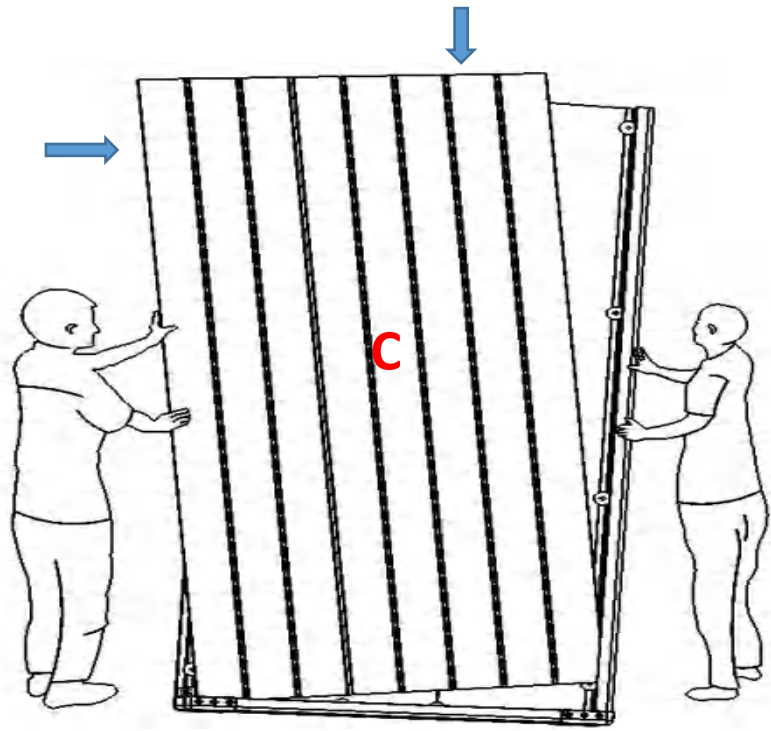
X1



<h1>15</h1>	<p>E02</p>  <p>X9</p>	
-------------	--	--



<h1>16</h1> <p>RIGHT WALL</p>	<p>C</p>  <p>X1</p>	<p>C35-C15</p>  <p>X1</p>
-------------------------------	--	--

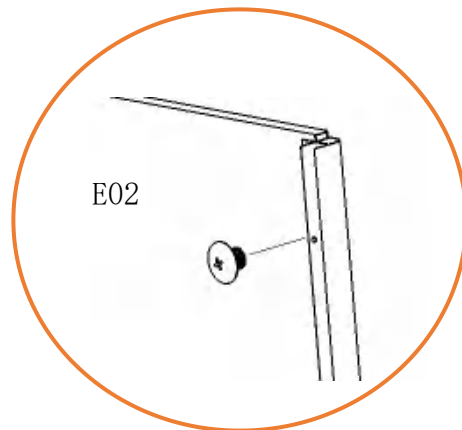
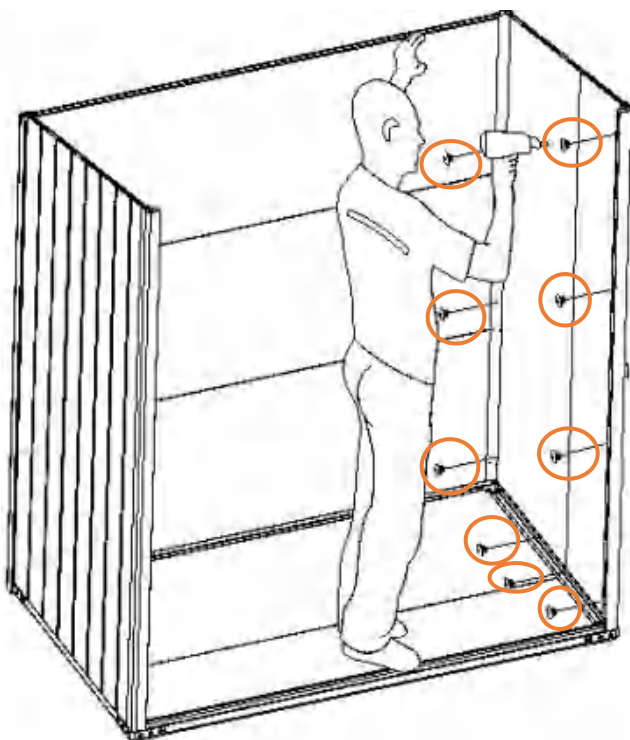
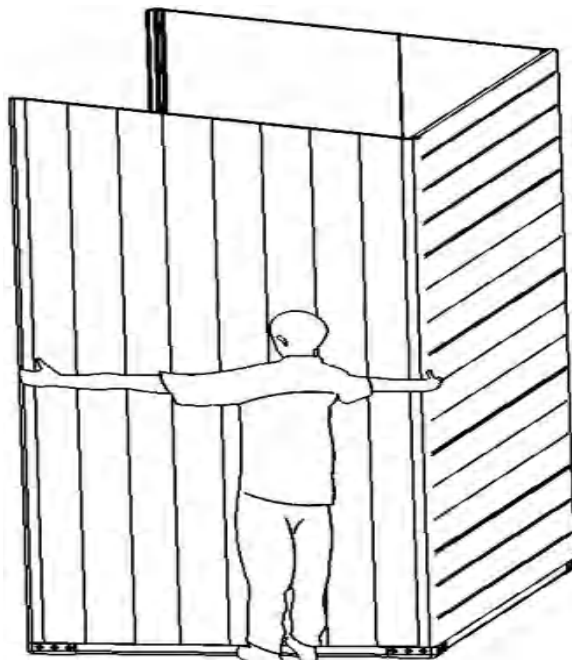
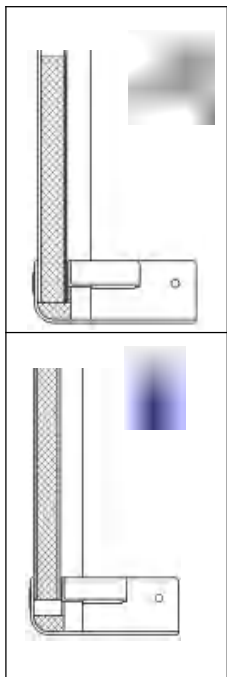


17

E02



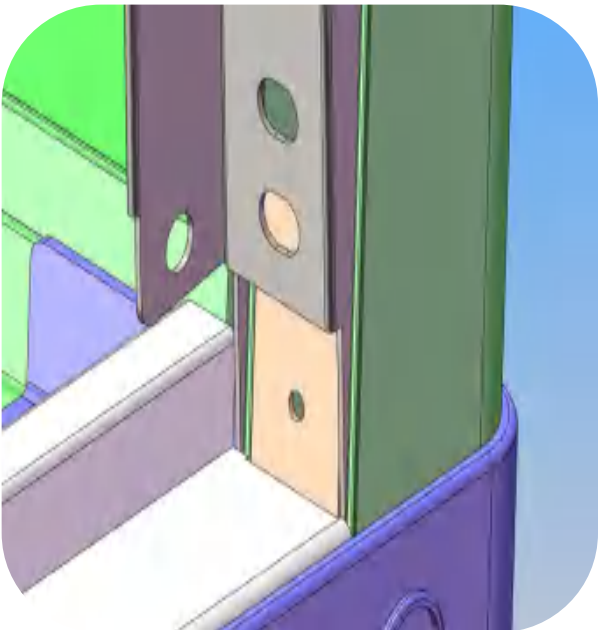
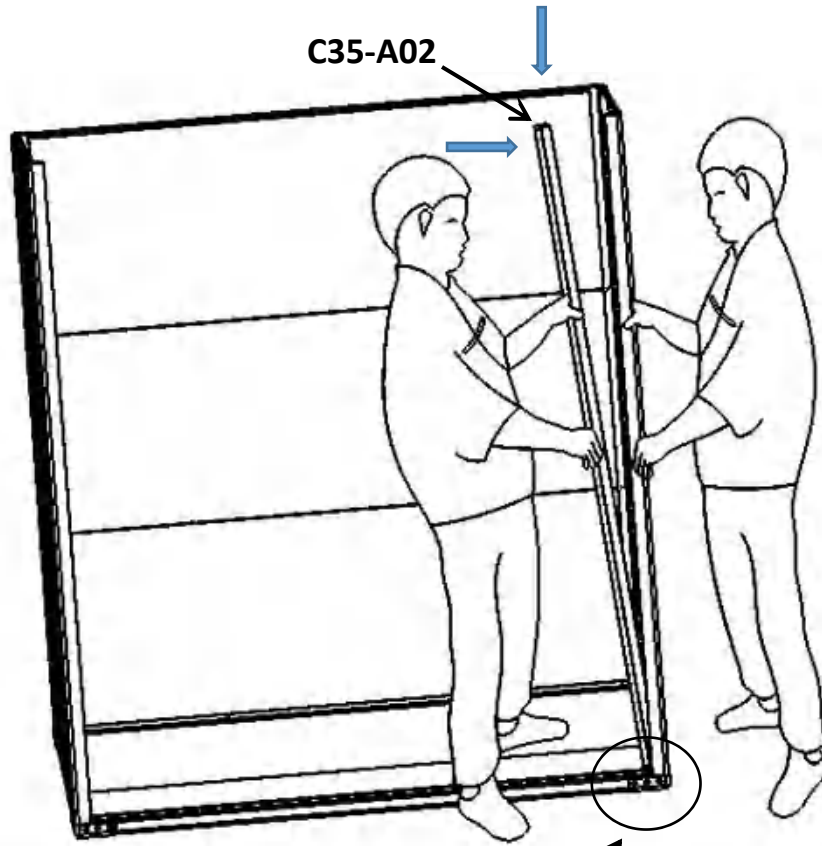
X9



E02

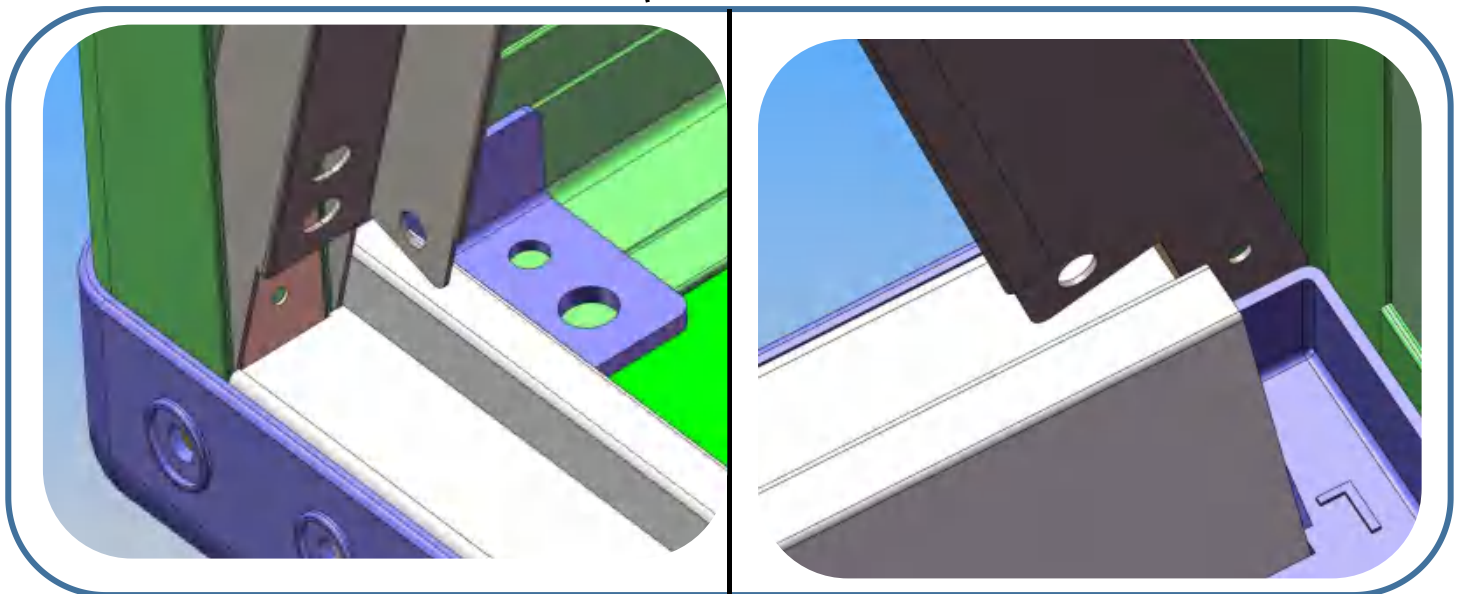
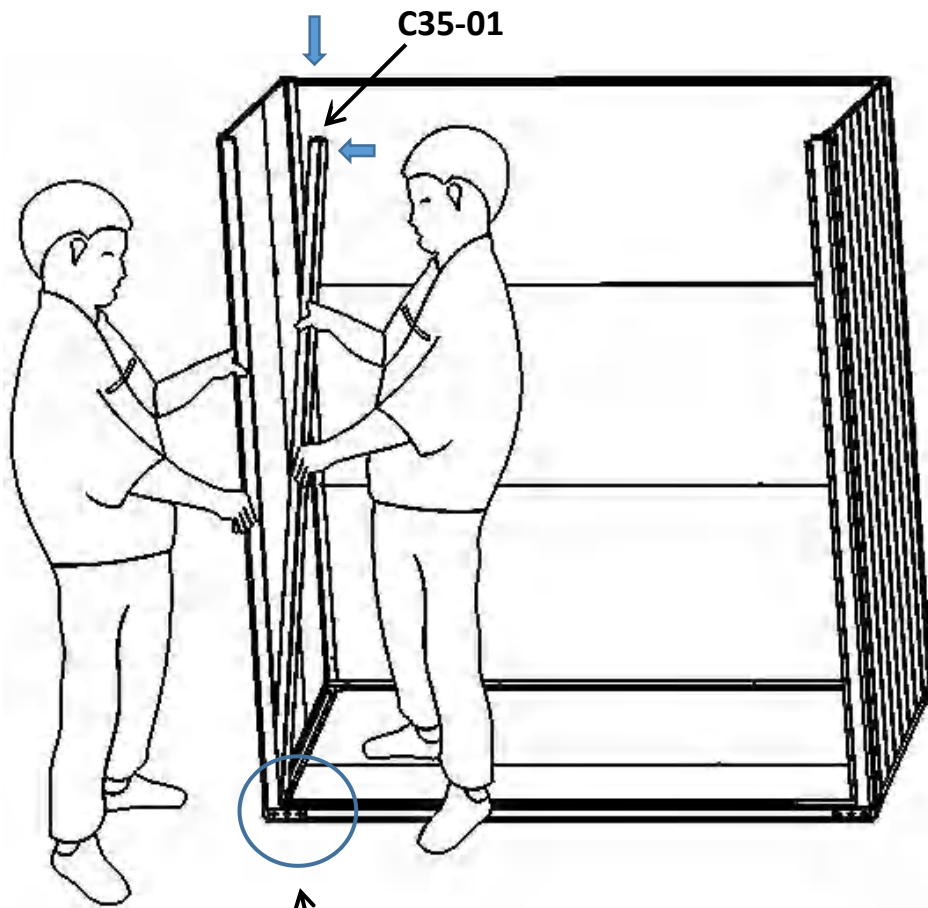
18

C35-A02



19

C35-A01



20

C35-A04

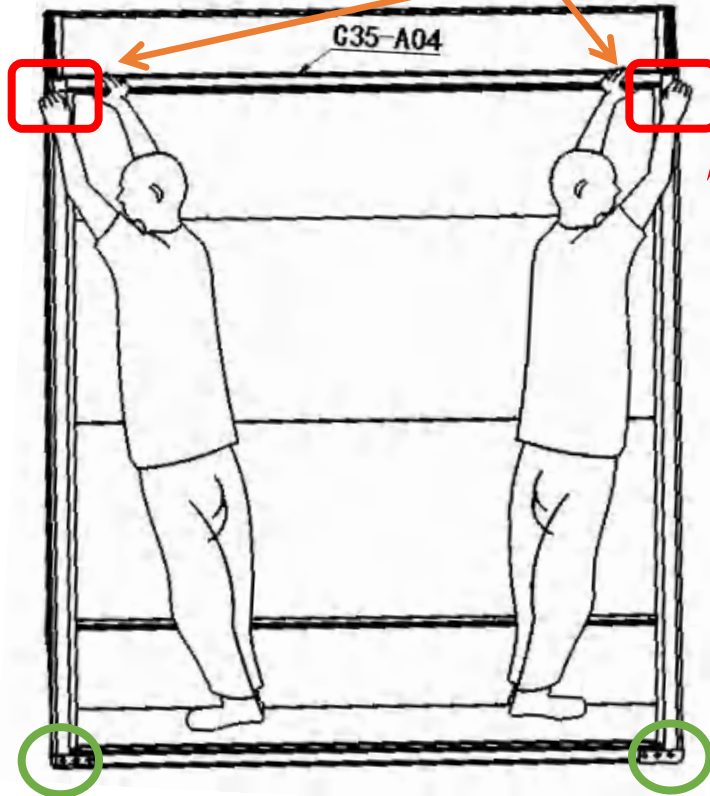
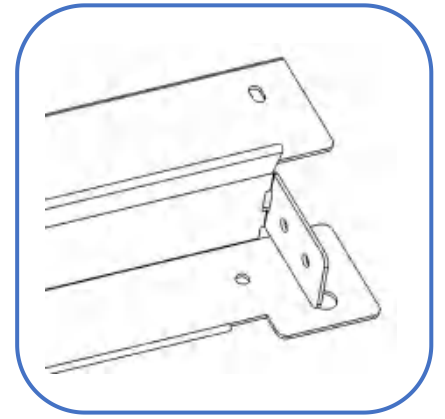
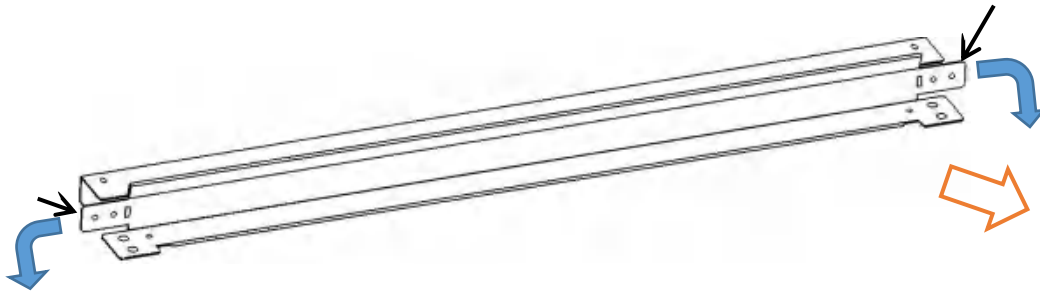


X1

E02



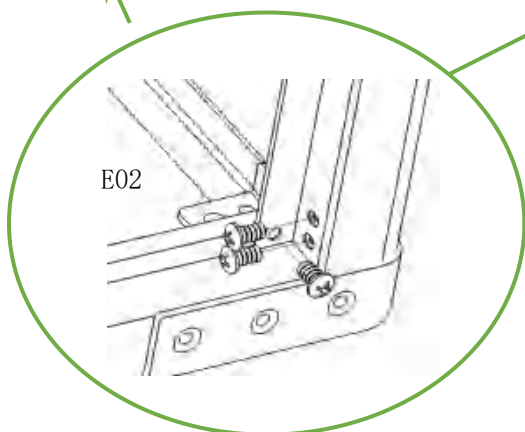
X24



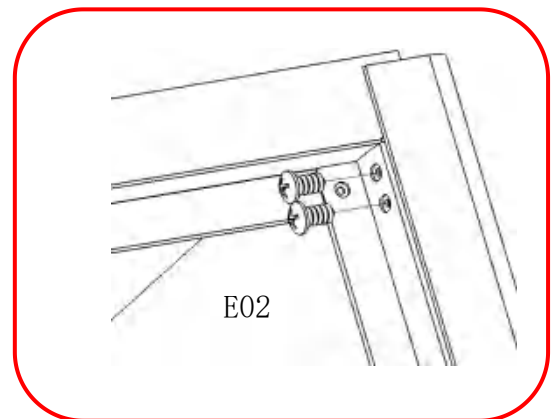
C35-A04

E02

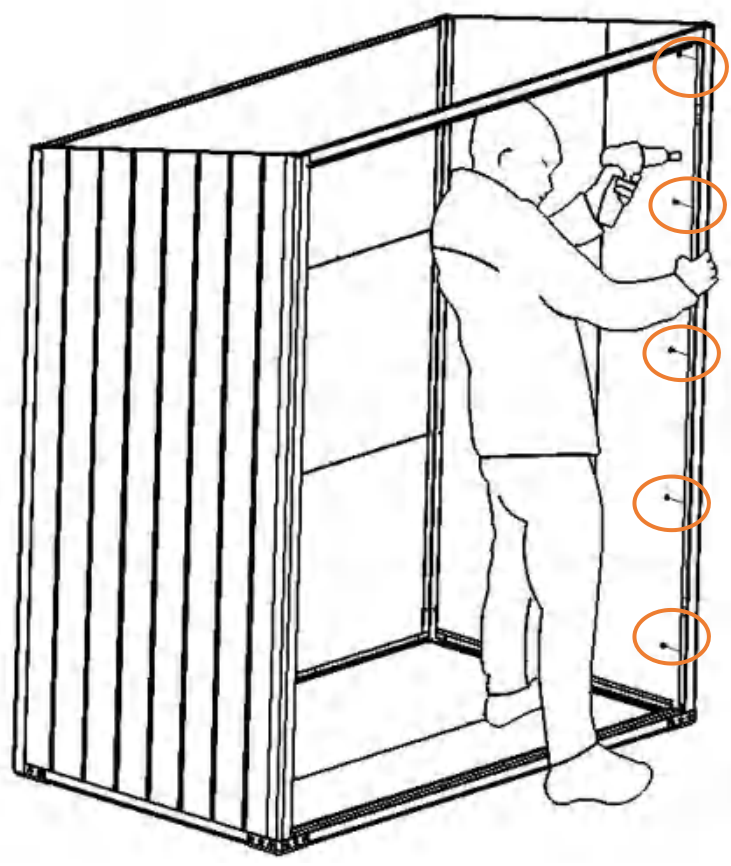
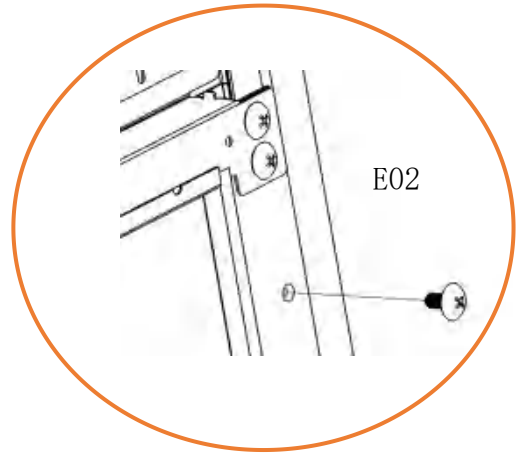
INSIDE VIEW



E02

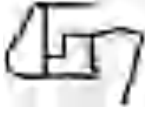


E02



21

C35-C18

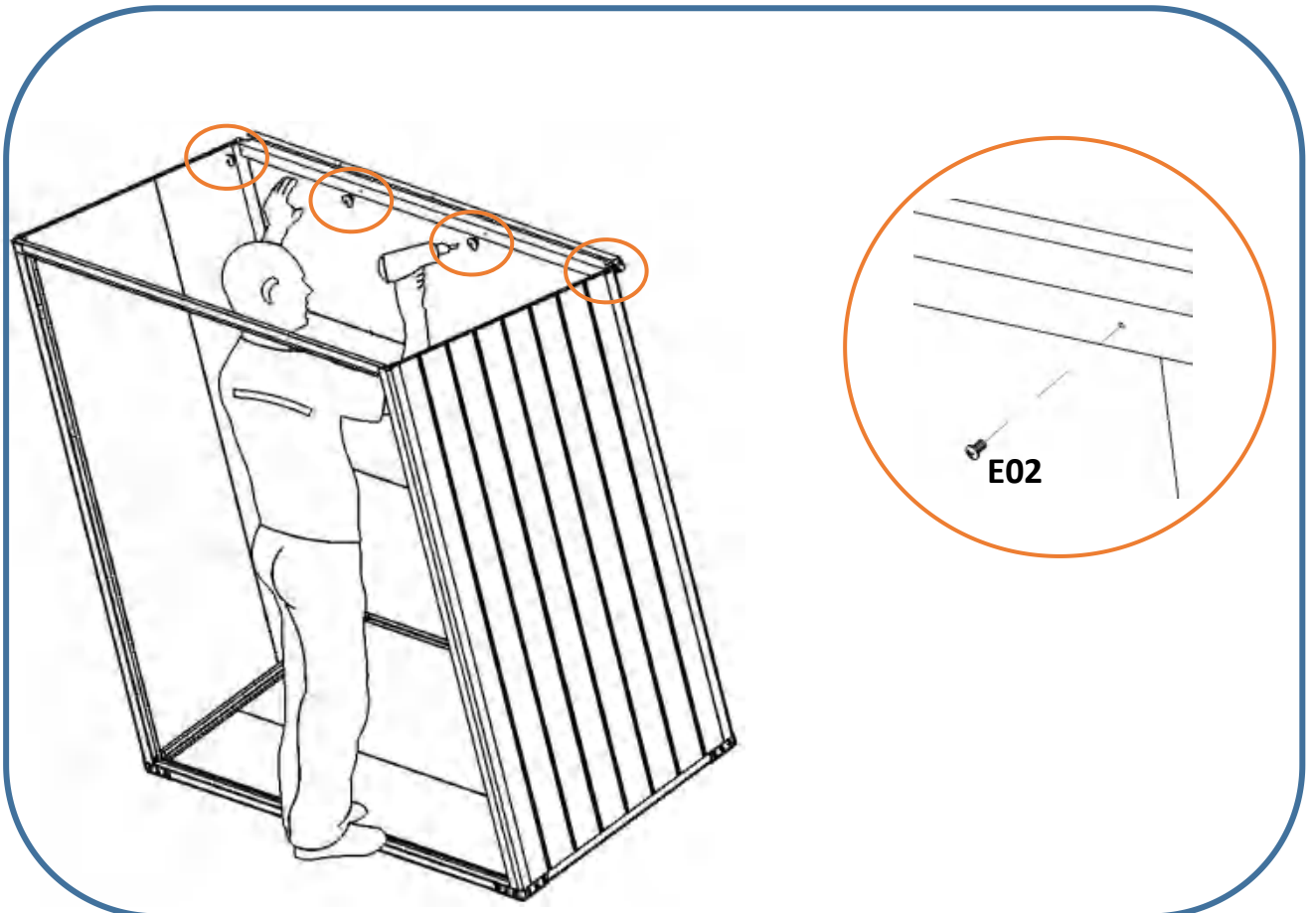
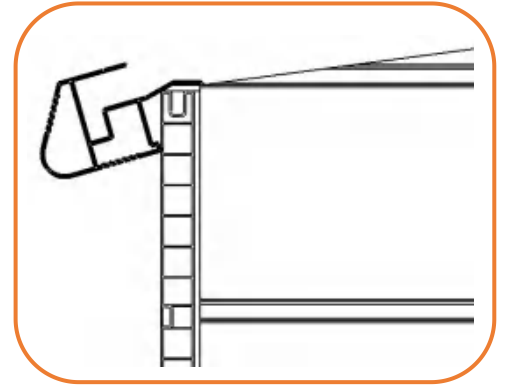
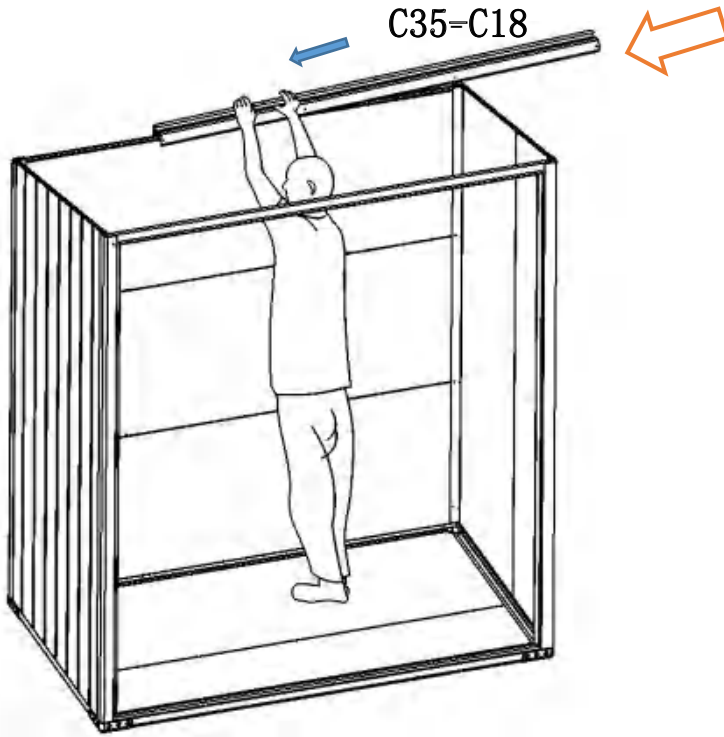


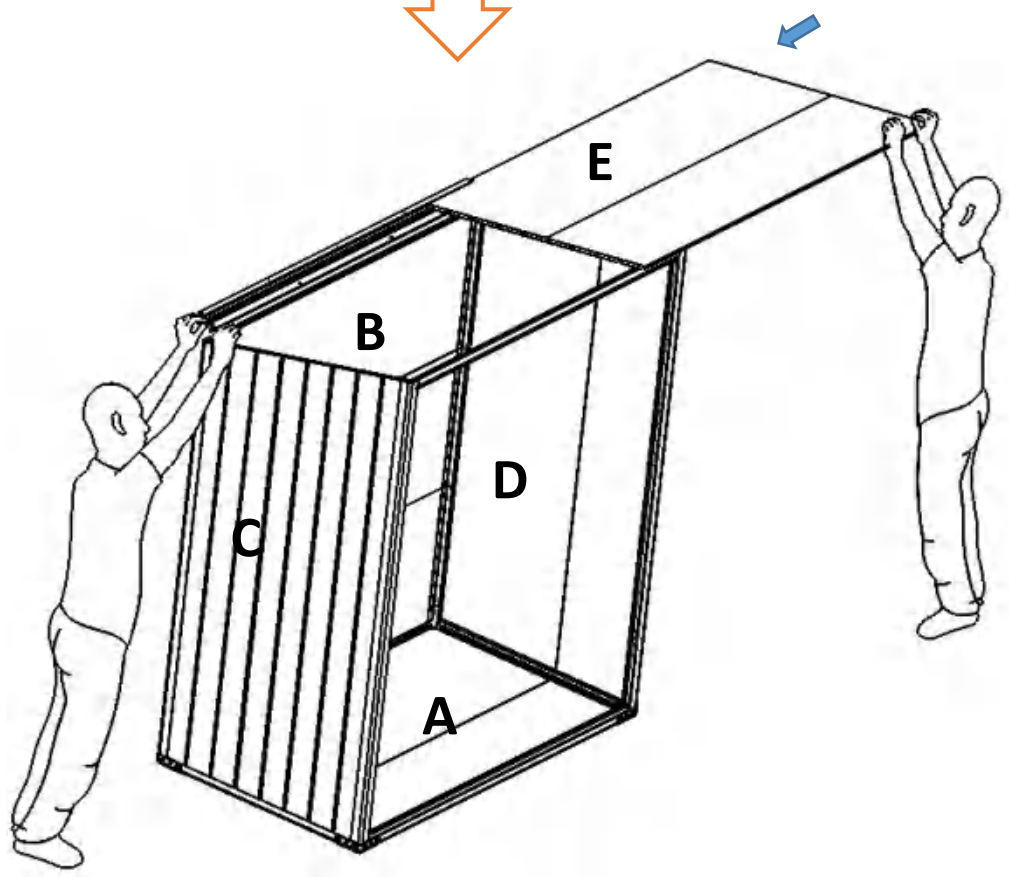
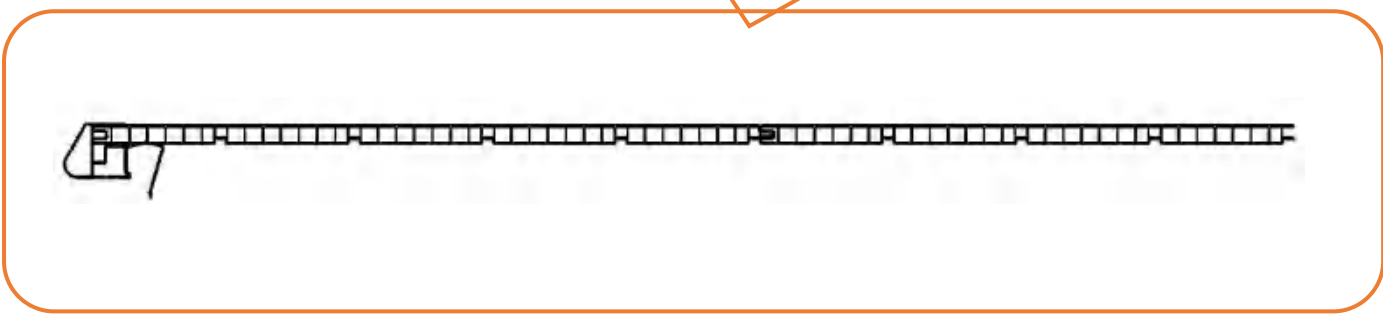
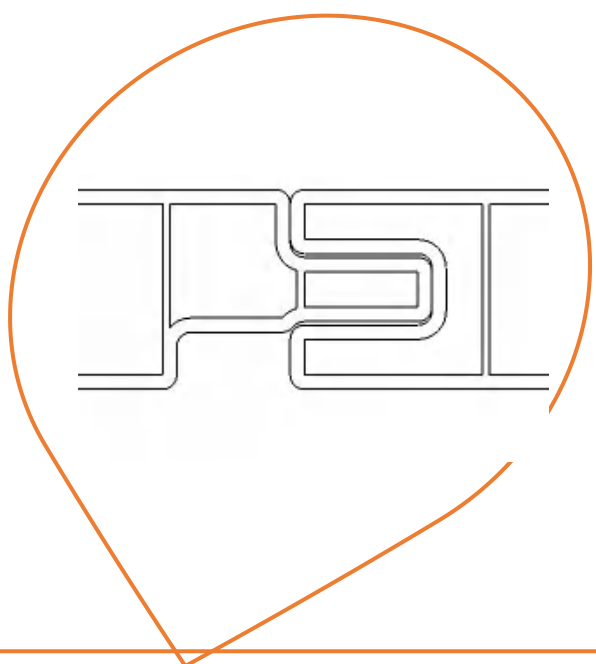
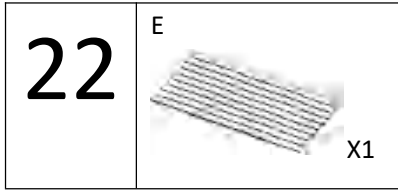
X1


E02

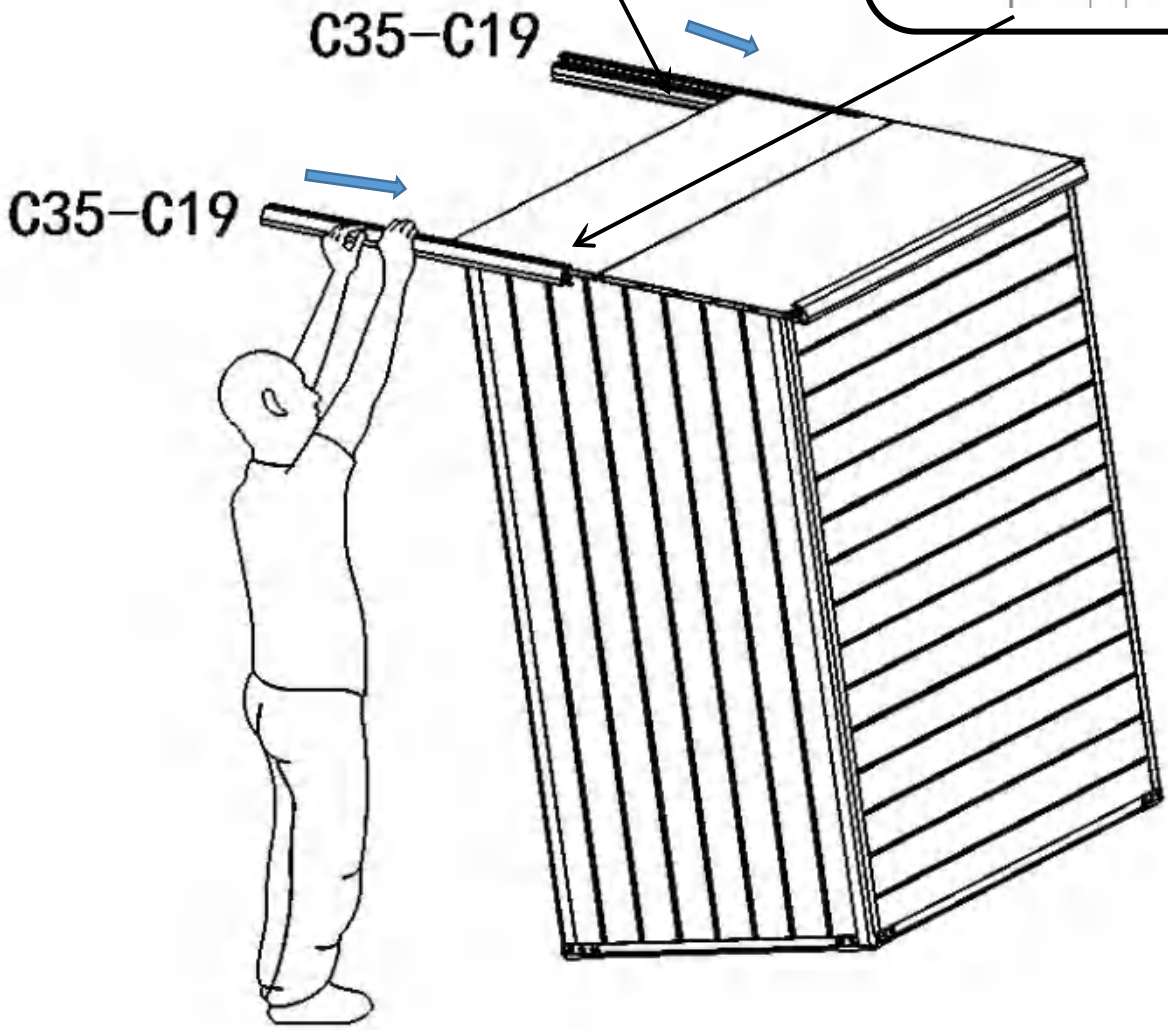
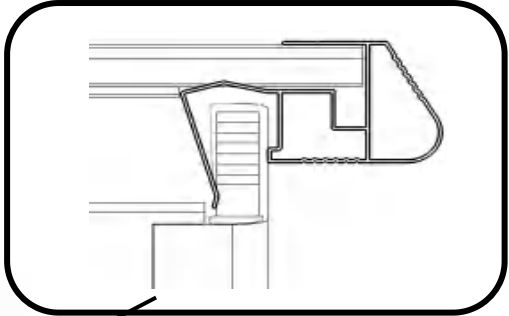
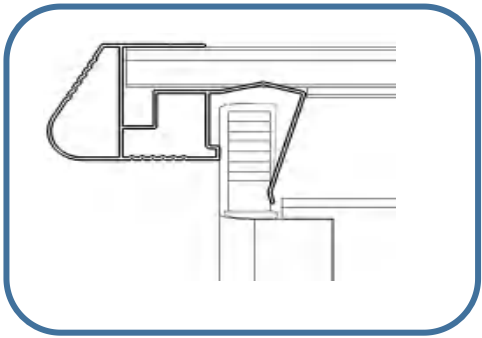


X4



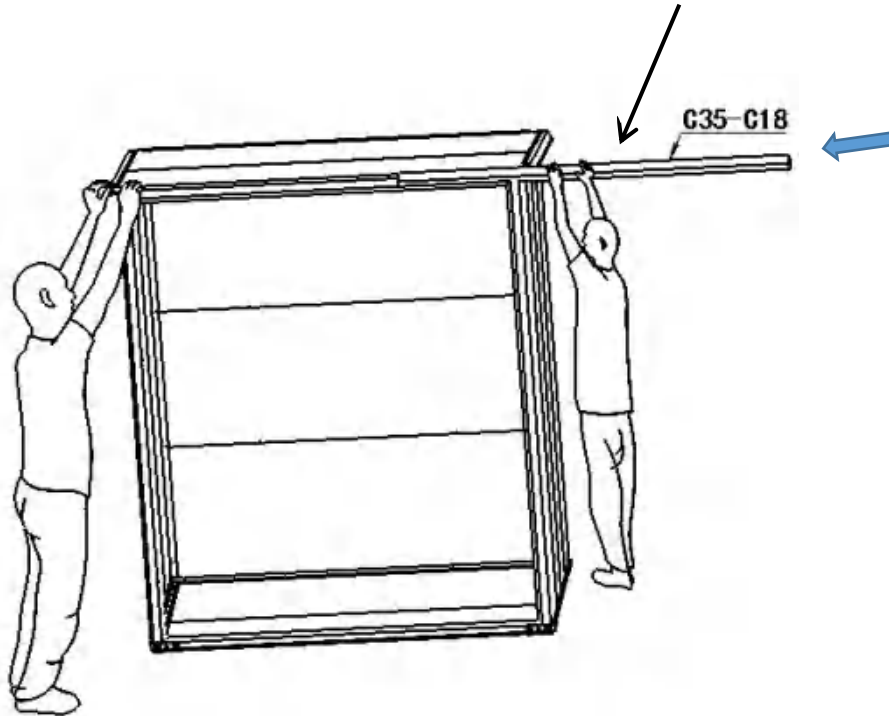
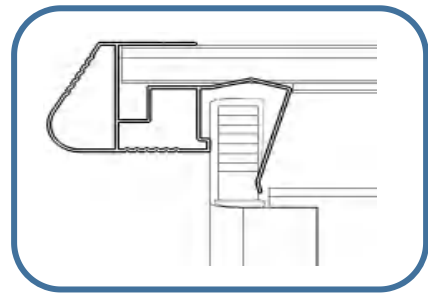


23	C35-C19  X2	
----	---	--

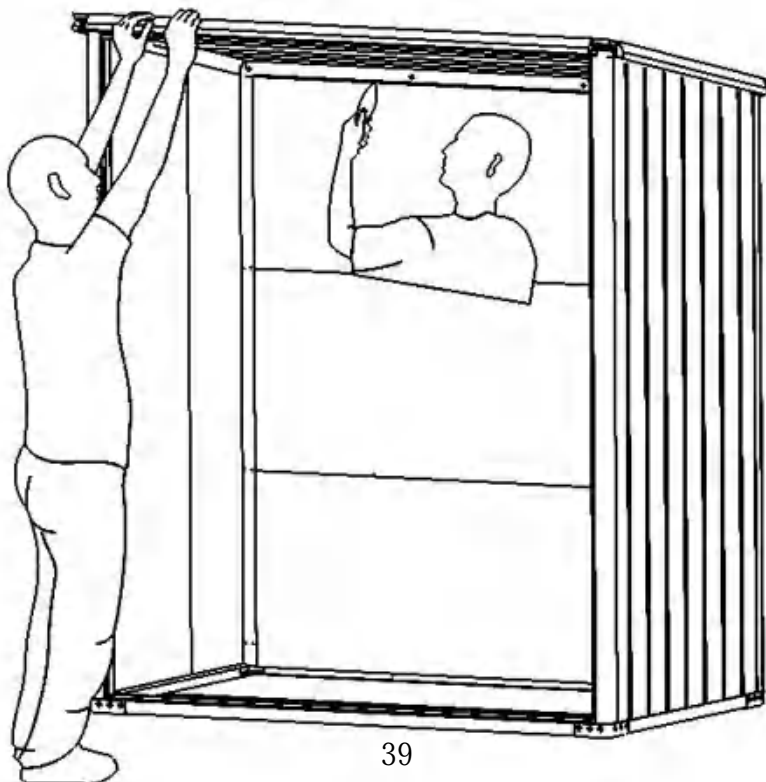


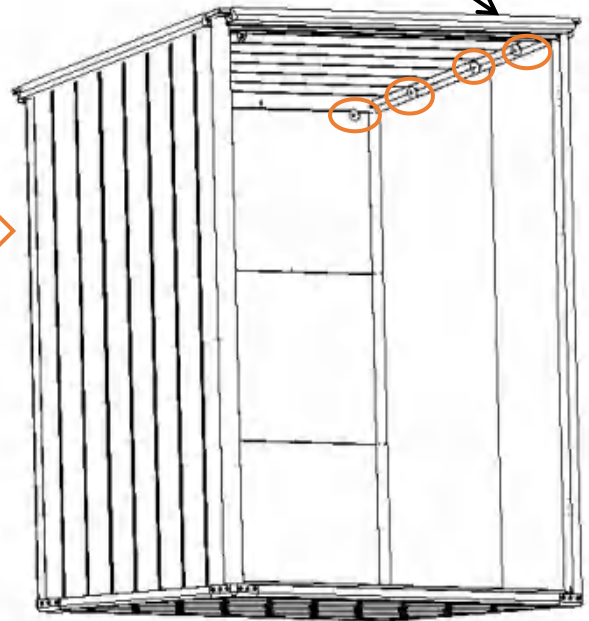
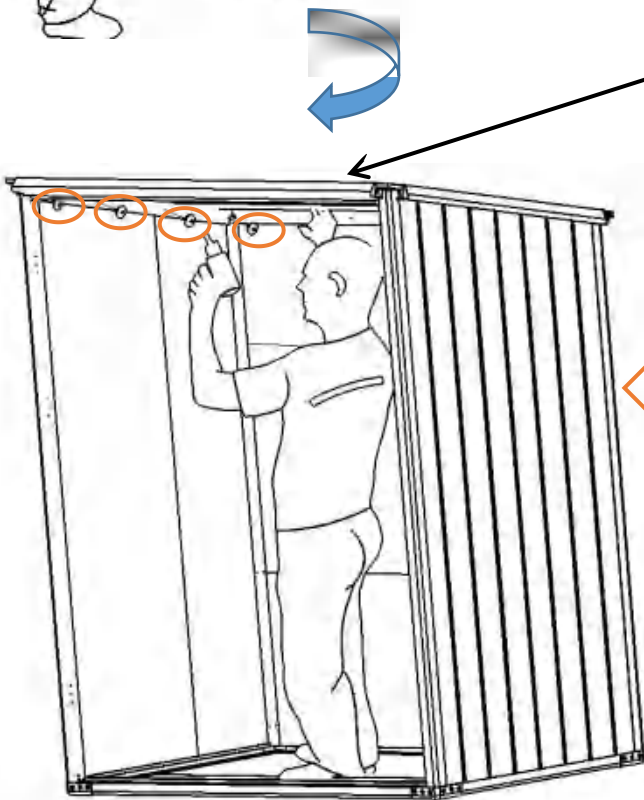
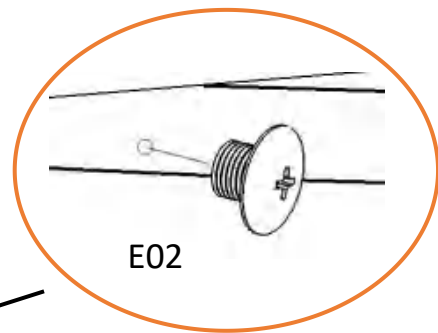
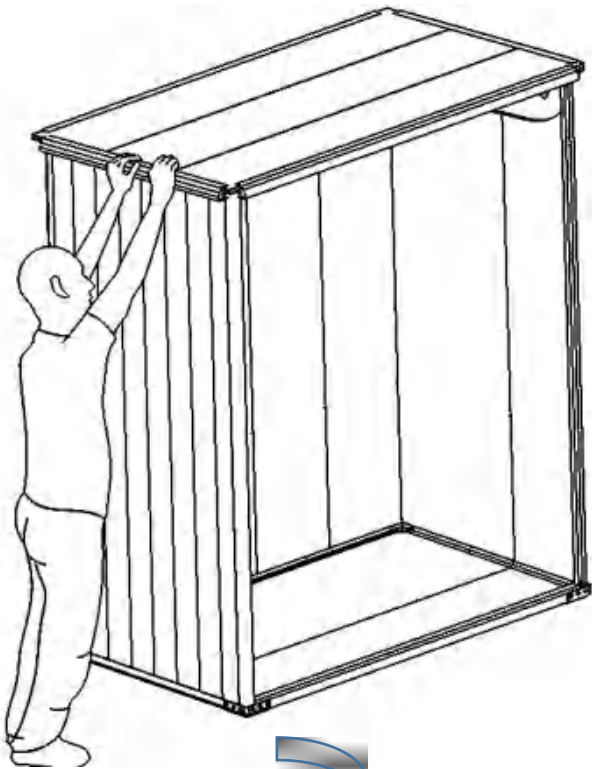
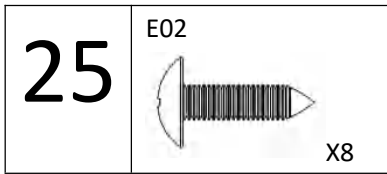
24




C35-C18

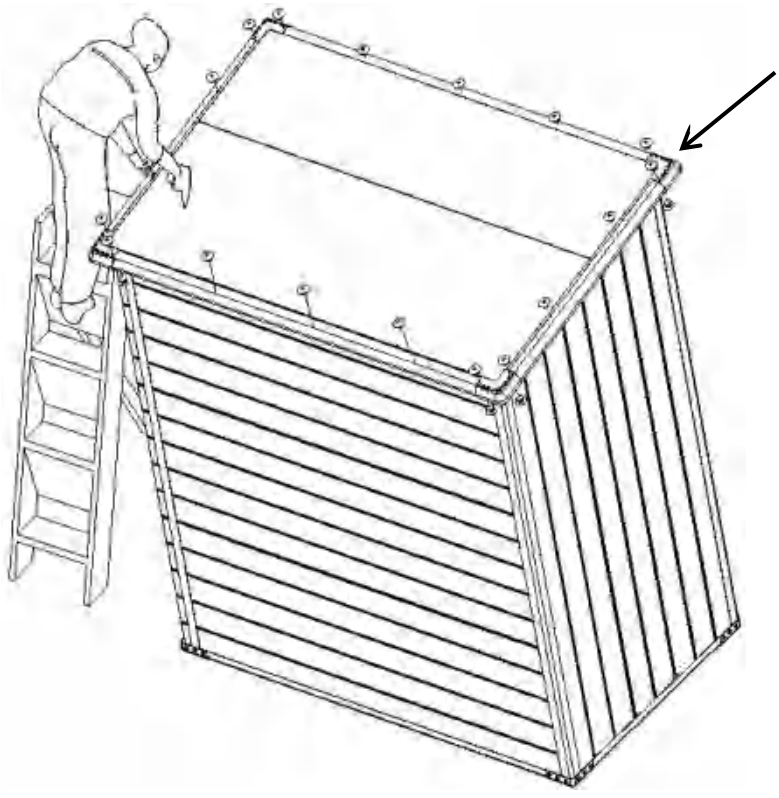
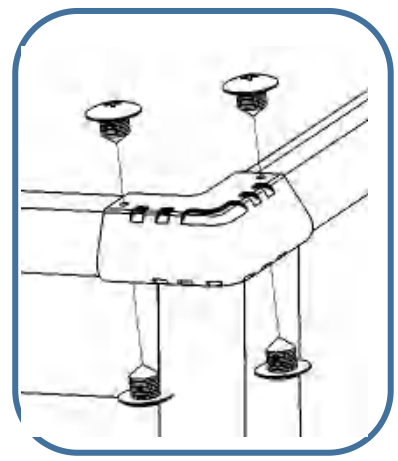
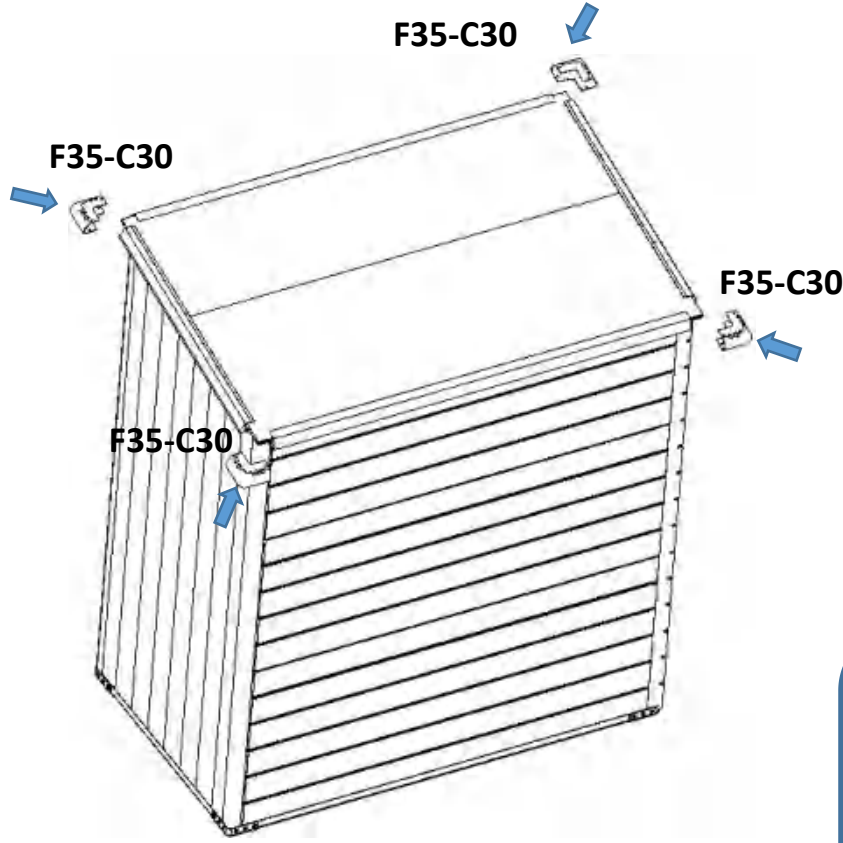


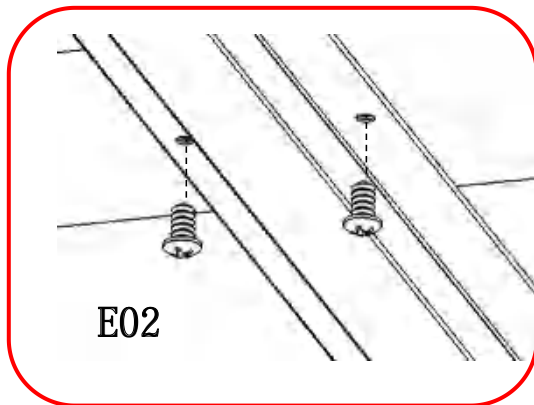
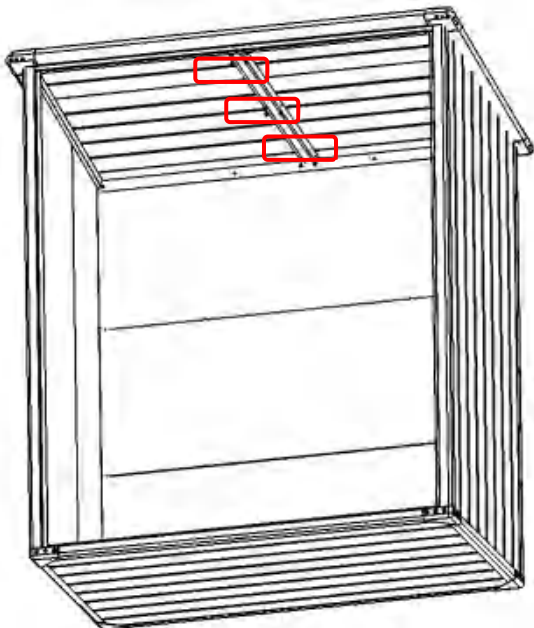
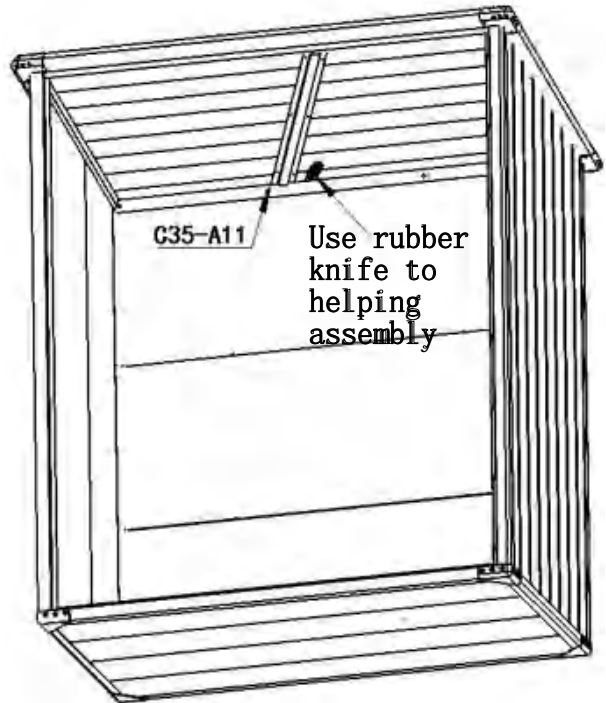
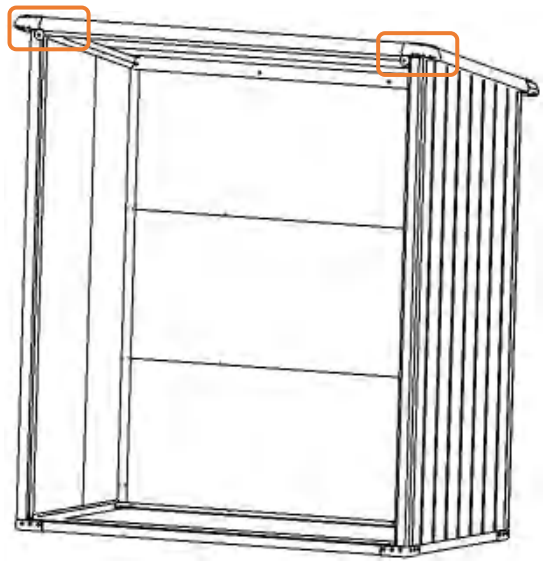
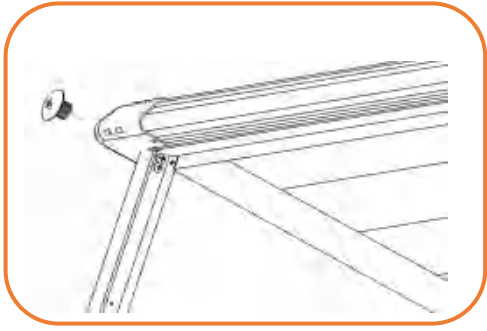
**Please use rubber knife to help C18/
C19 stick into the wall board**





<h1>26</h1>	<p>F35-C30</p>  <p>X4</p>	<p>E02</p>  <p>X34</p>	<p>C35-A11</p>  <p>X1</p>
-------------	--	---	--



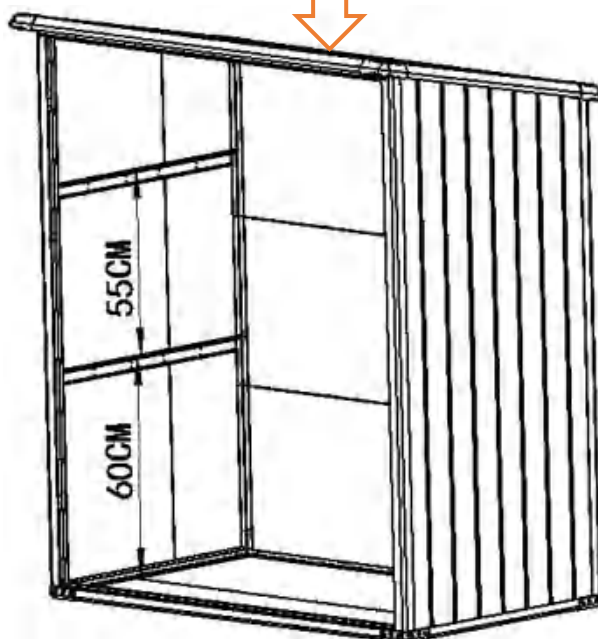
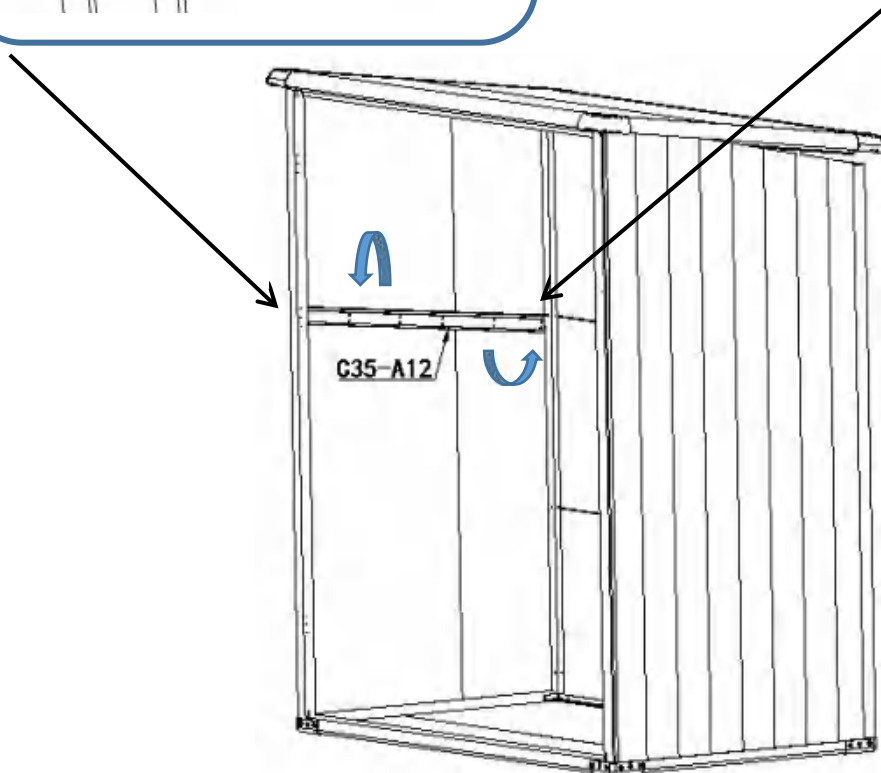
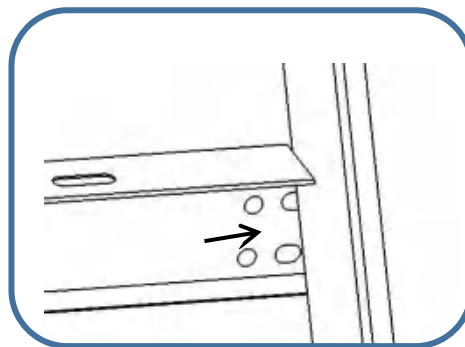
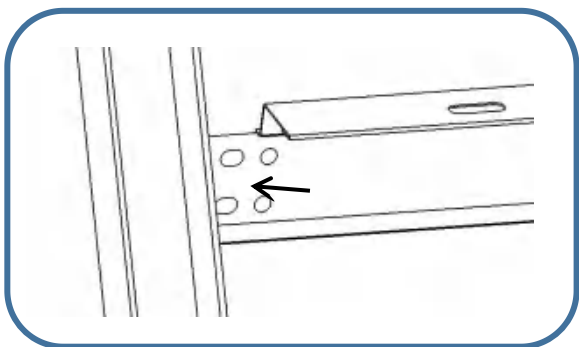


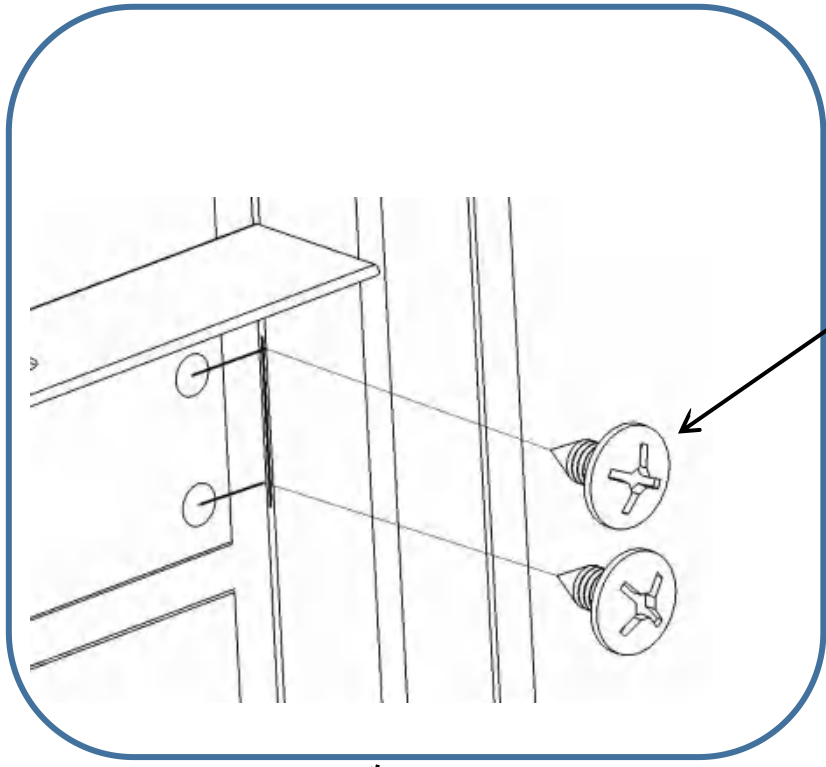
27

C35-A12

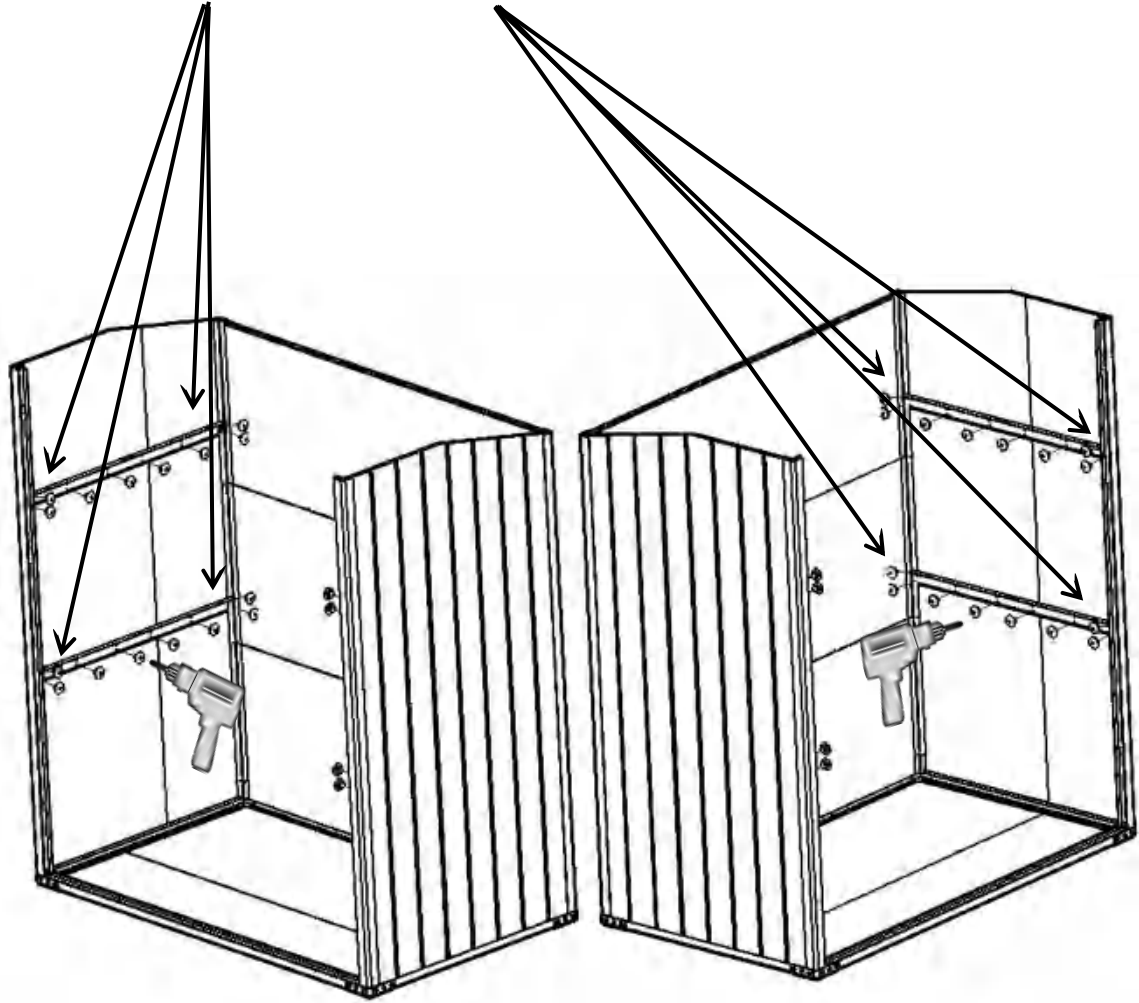




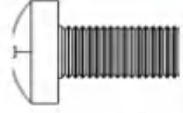


E02

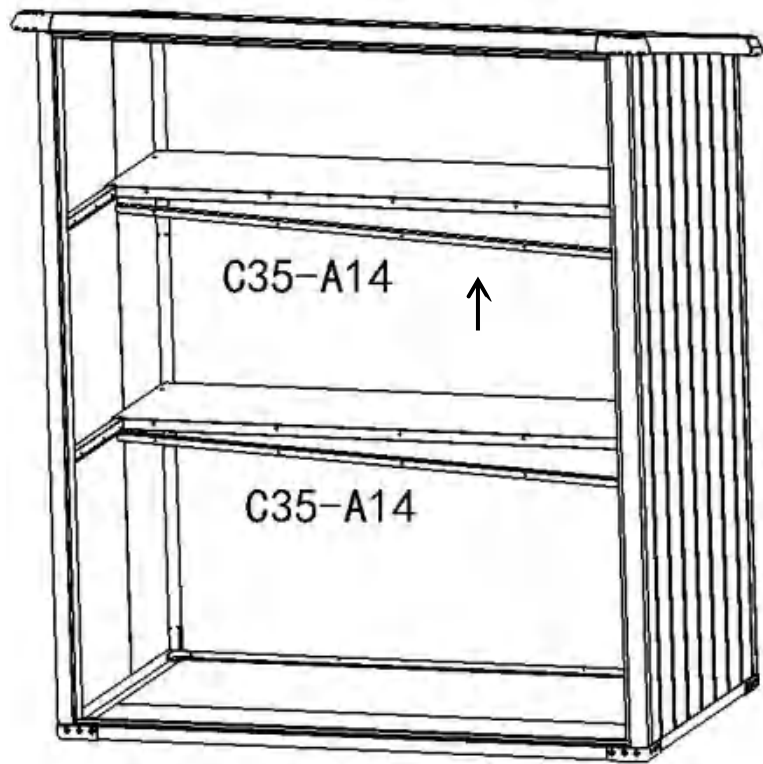
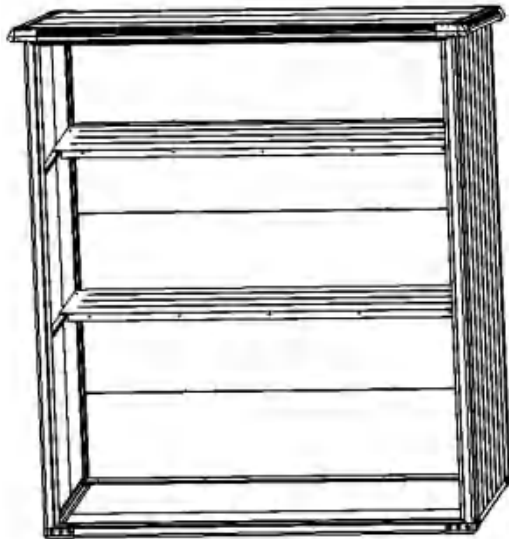
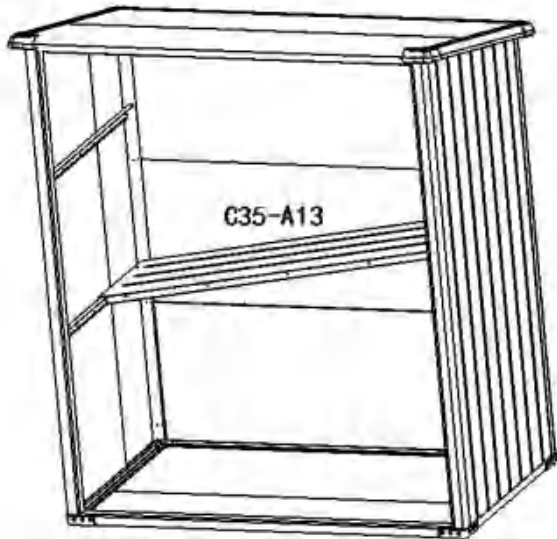


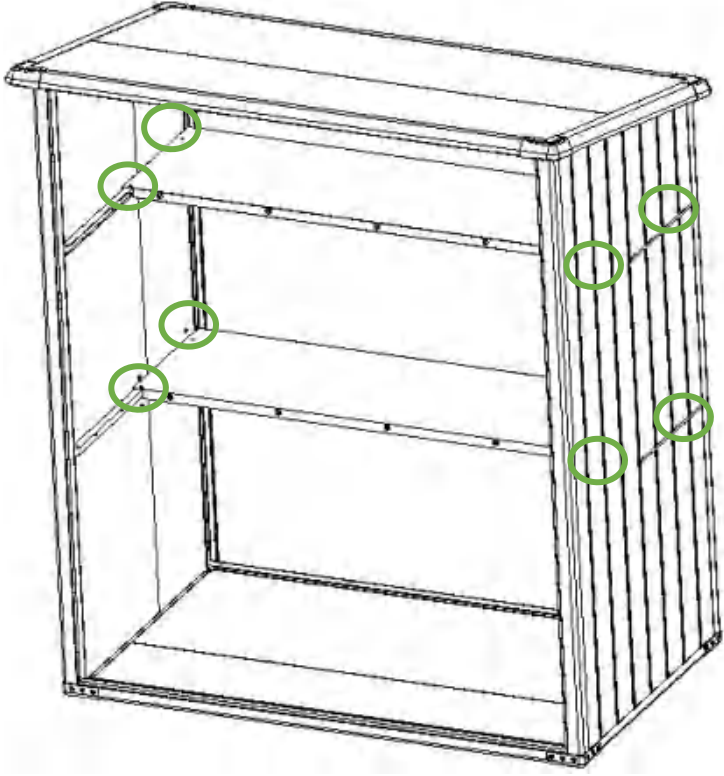
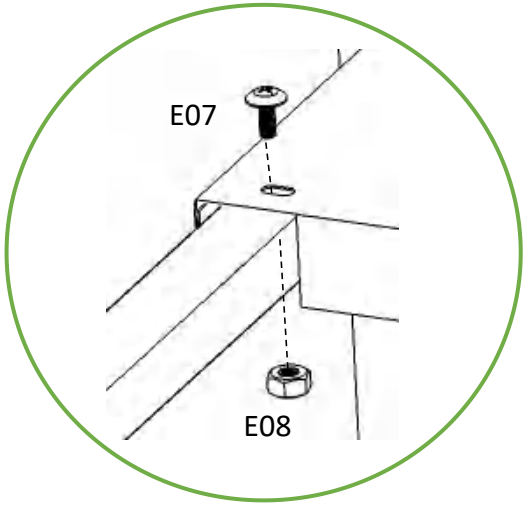
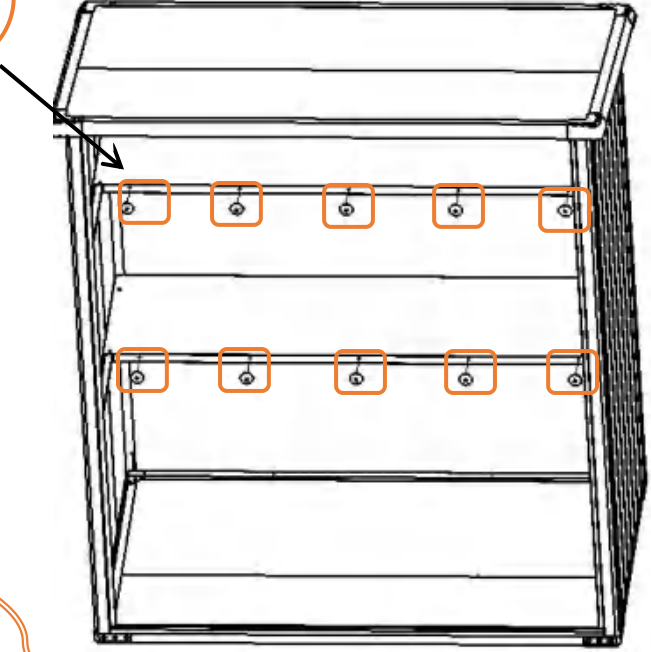
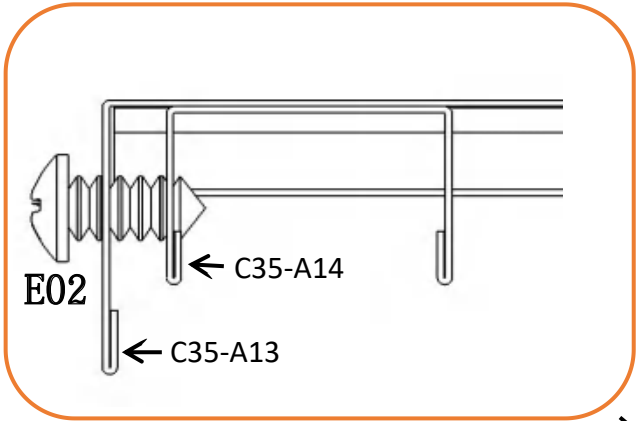




E02

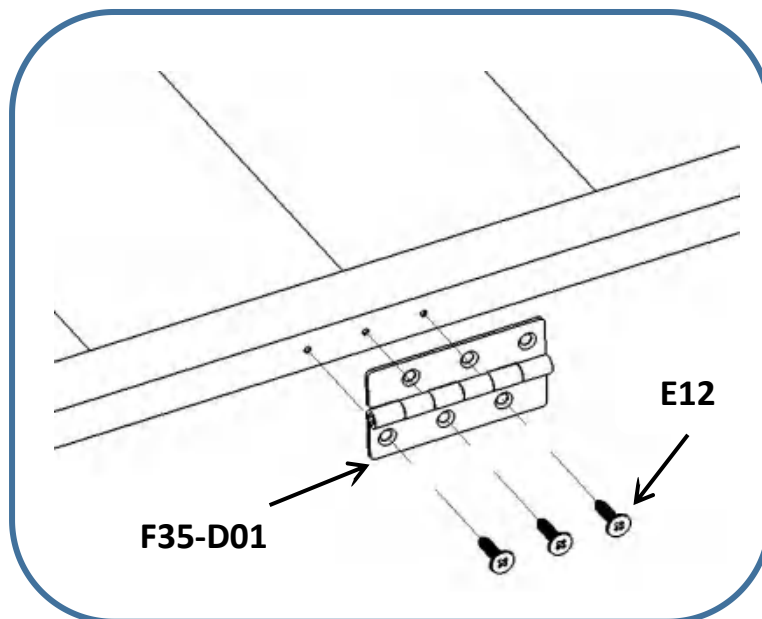
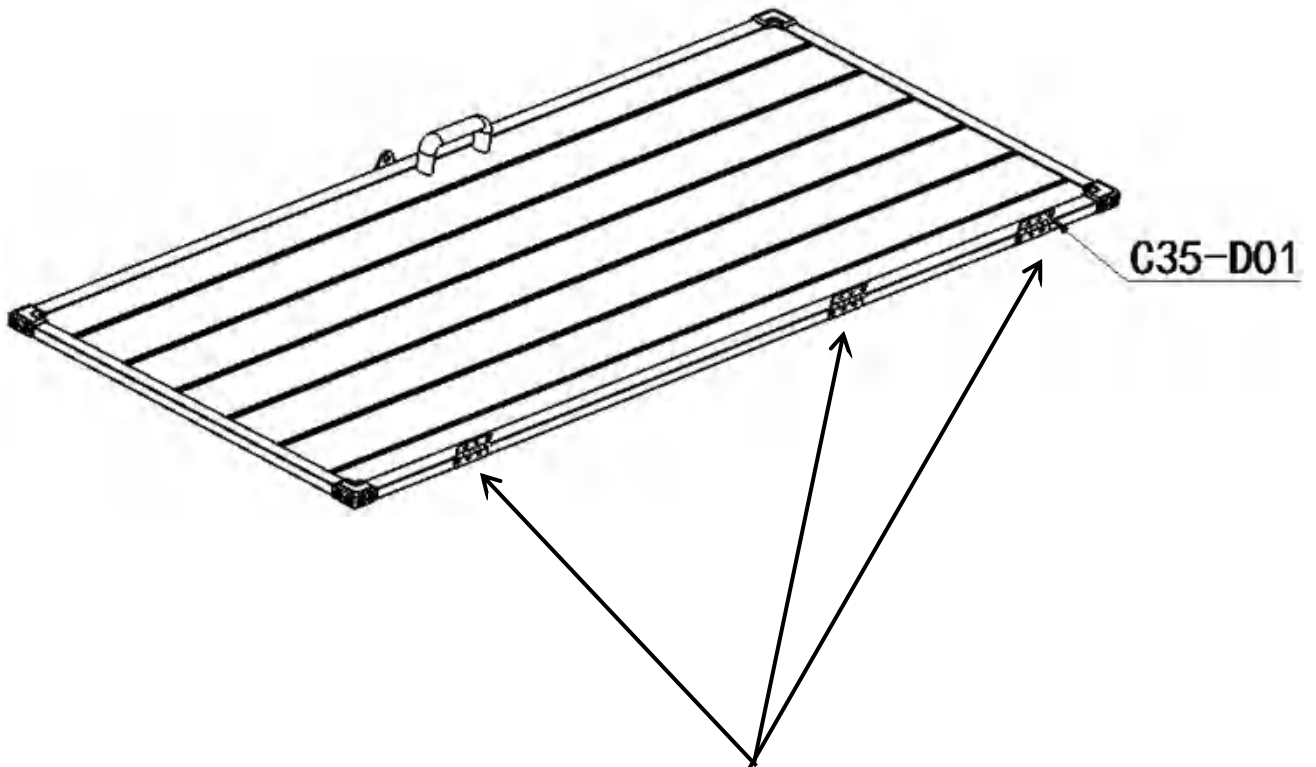


<h1>28</h1>	C35-A13  X2	C35-A14  X2	E07  X8	E08  X8	E02  X10
-------------	--	--	--	---	---



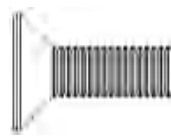


<h1>29</h1>	F35-D01	E12
	 X6	 X18

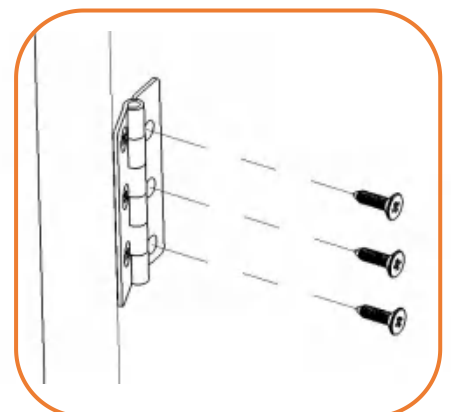
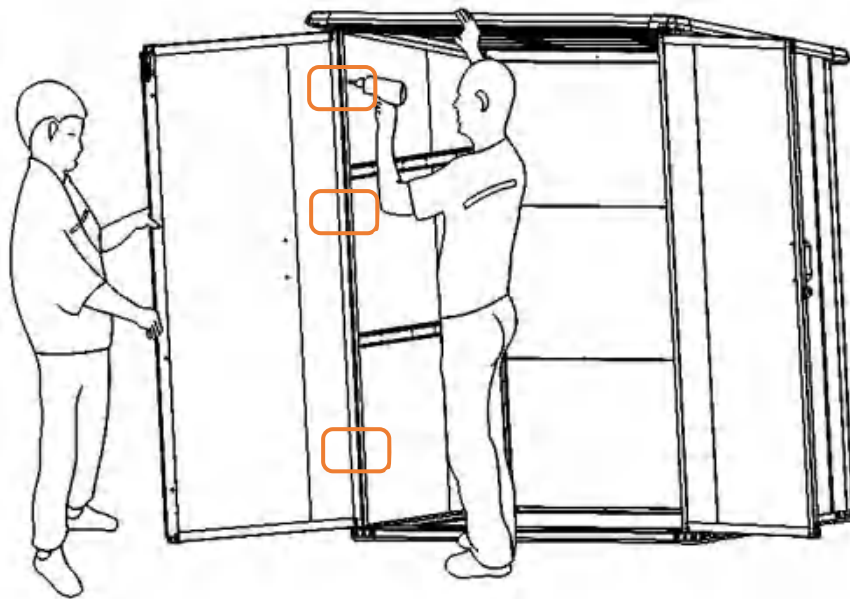
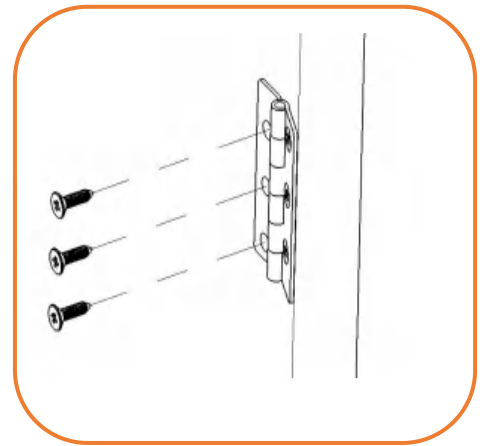
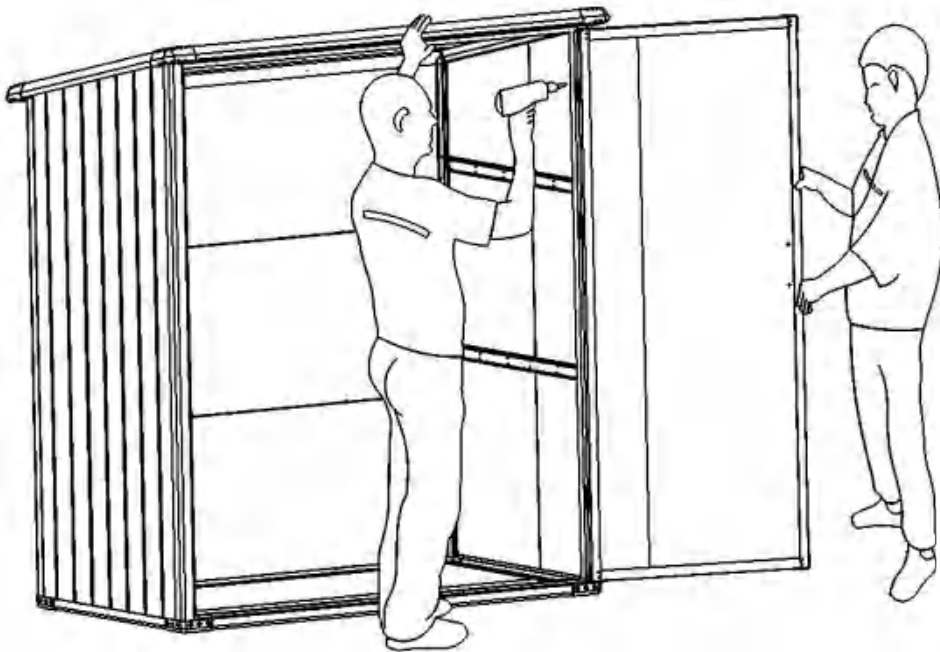



30

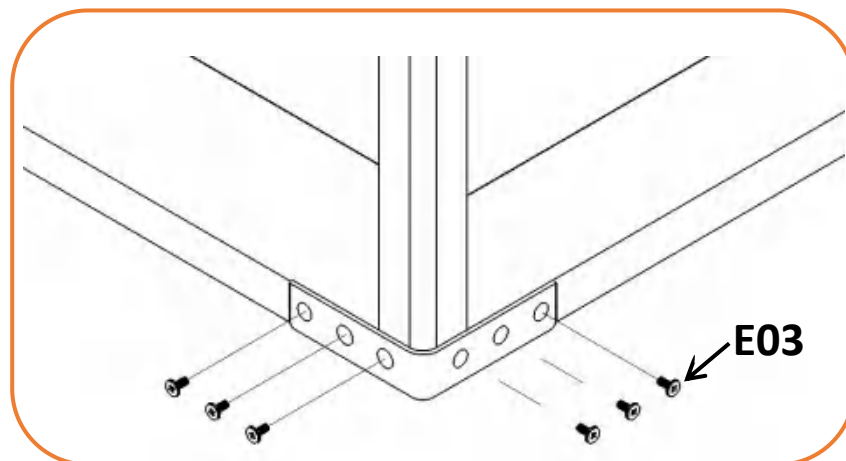
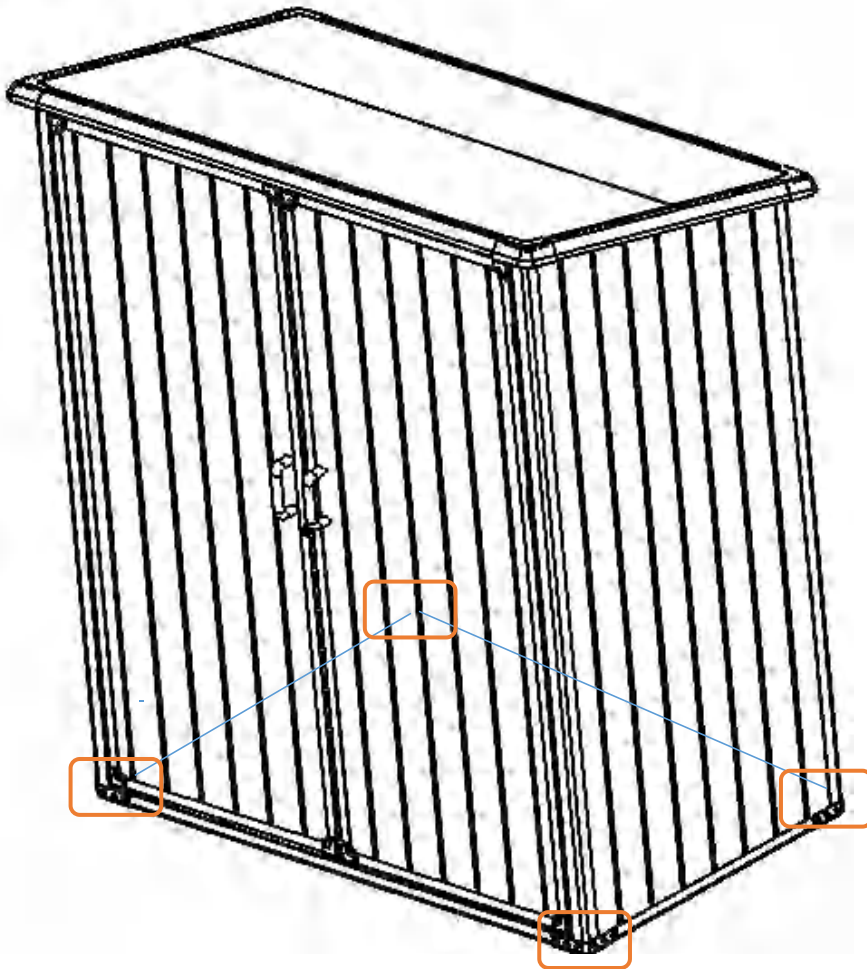
E12



X18



31	E03  X24
-----------	---



ATTENTION!!

When the door is not vertical or parallel after installation, please make appropriate adjustments according to the following figure:

