

ASSEMBLY INSTRUCTIONS

OUTDOOR TRASH CAN

SKU: T-PSB23-0395A

BE
YOUR
LIFE BUILDER

www.patiowell.com



 Patiowell

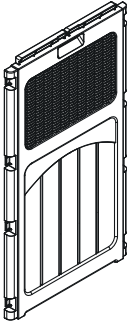
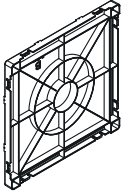
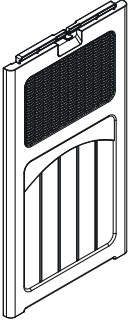
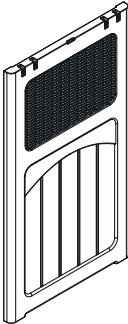
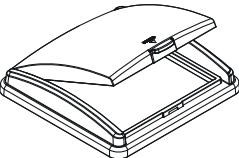
Outdoor Trash can
Installation Tutorial

[https://www.patiowell.com/
products/20-gallon-resin-trash-can](https://www.patiowell.com/products/20-gallon-resin-trash-can)

 saleservice@patiowell.com

Parts

Check and make sure you get the components on the list, contact us for any missing

A		X2	B		X1
C		X1	D		X1
E/F		X1			

Assembly steps

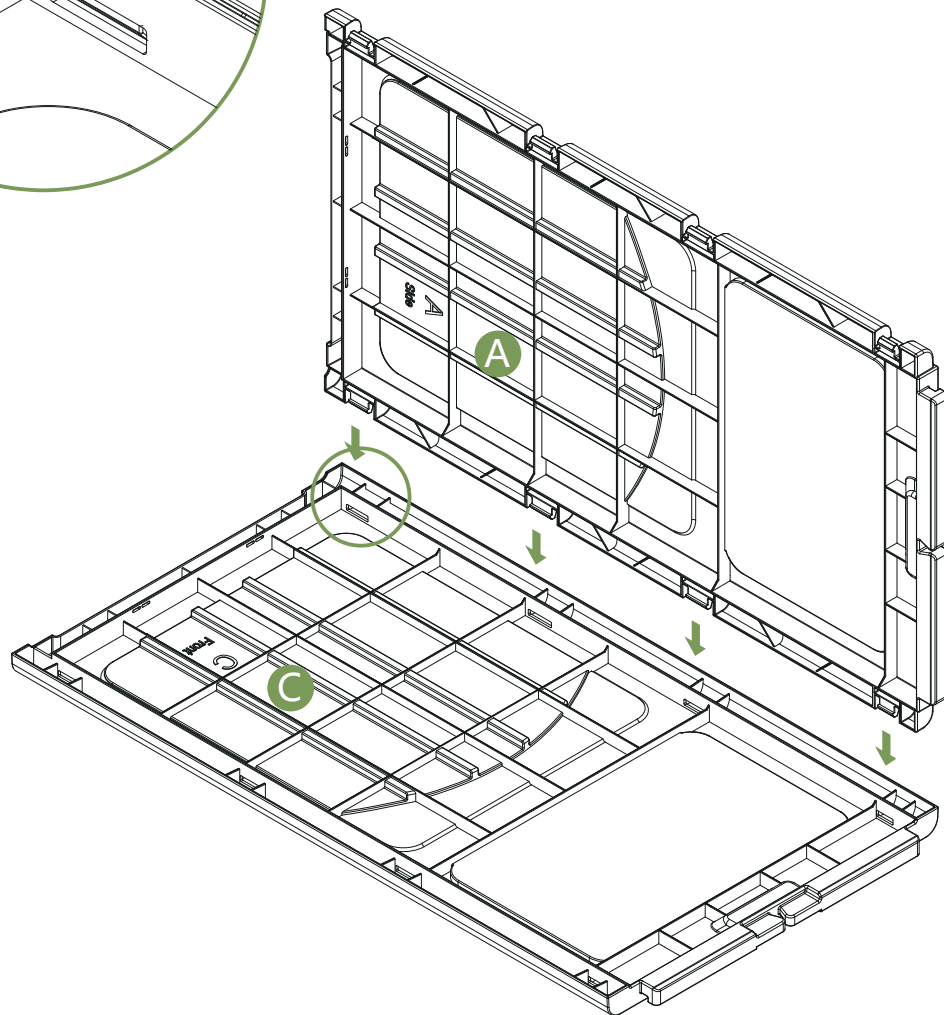
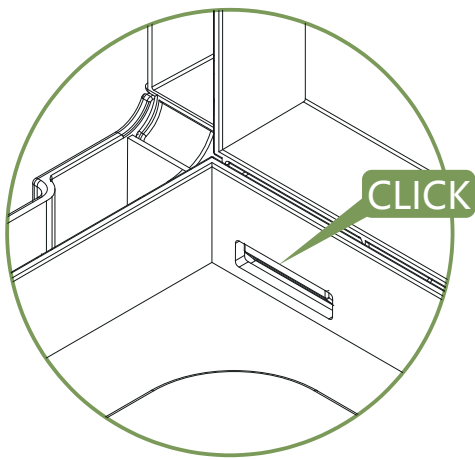
Step 1



A (X1)



C (X1)

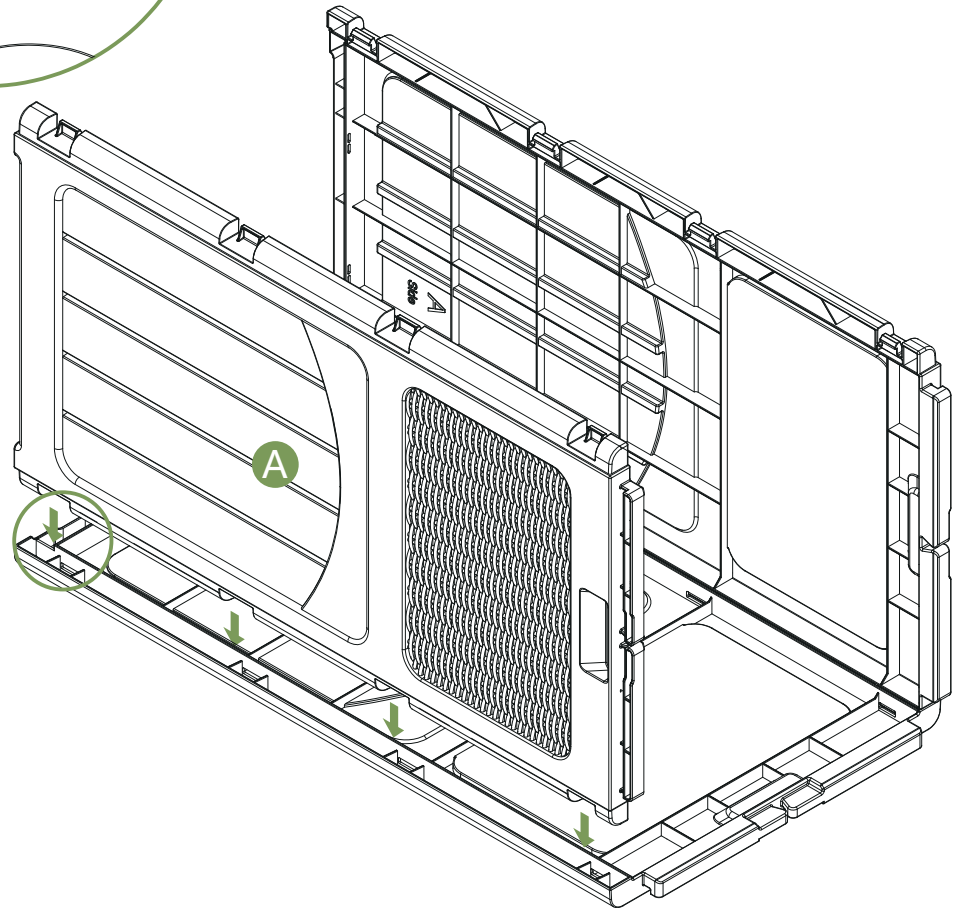
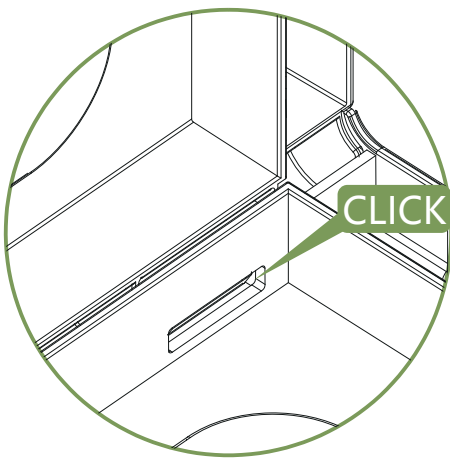


Assembly steps

Step 2



A (X1)

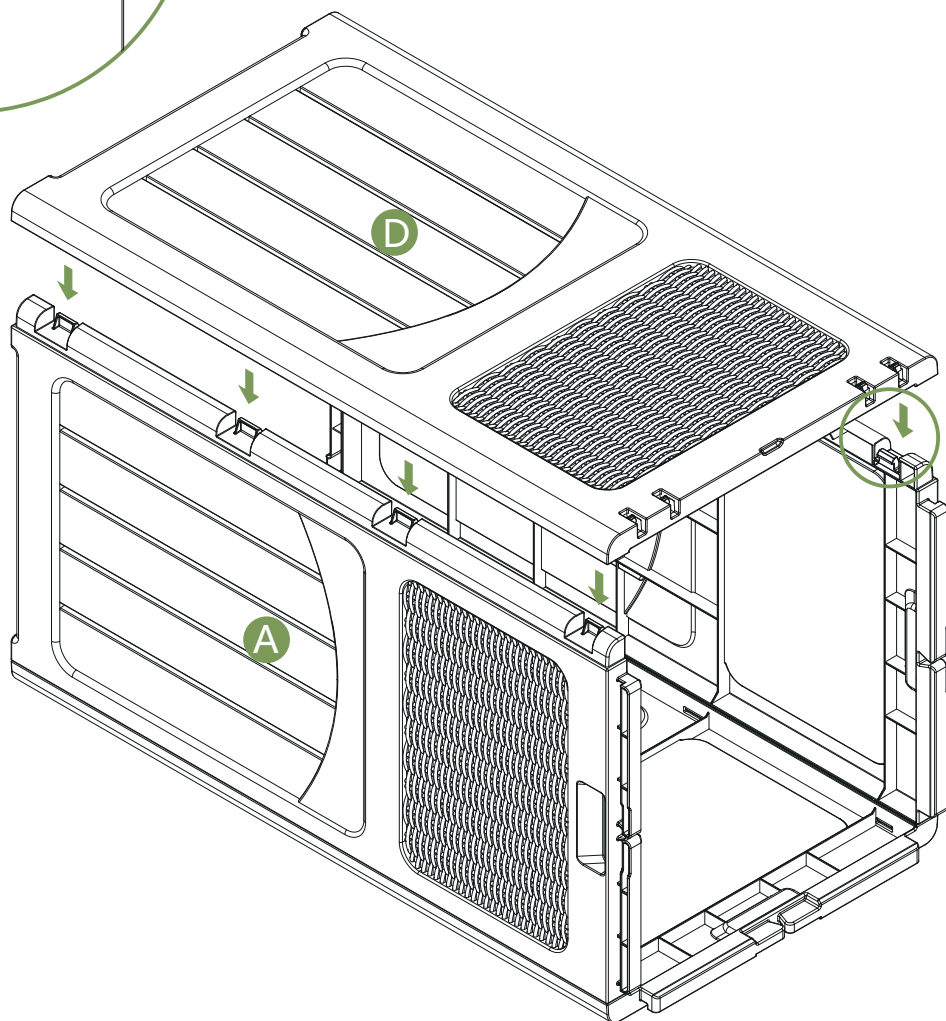
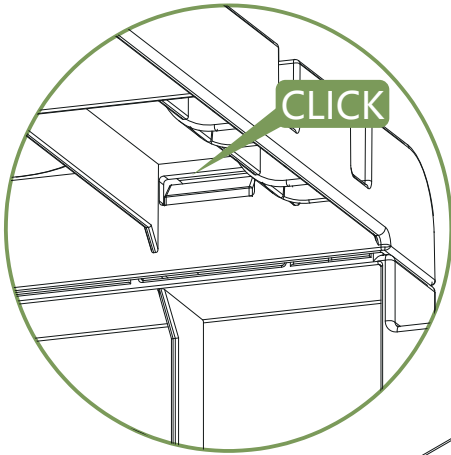


Assembly steps

Step 3

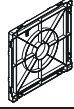


D (X1)

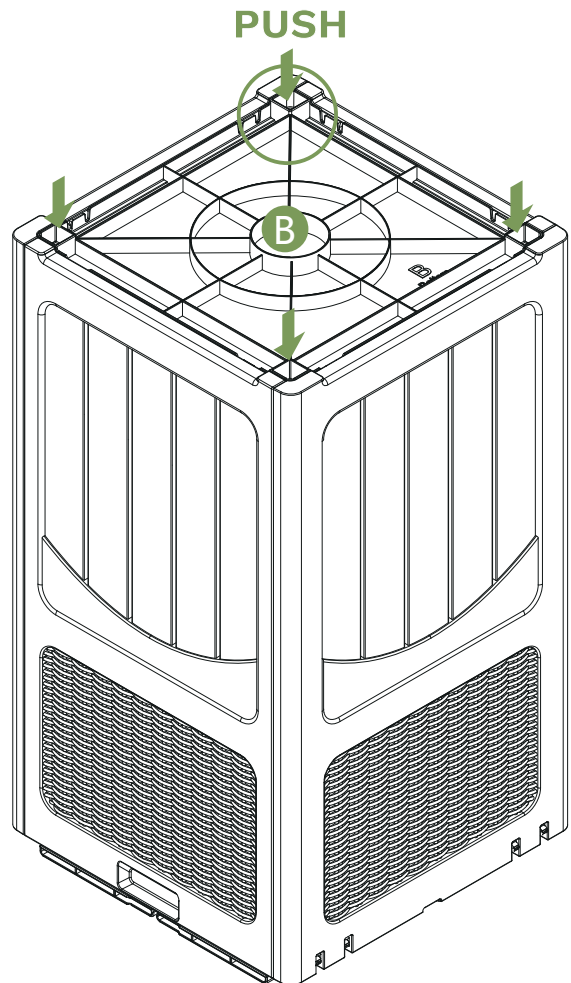
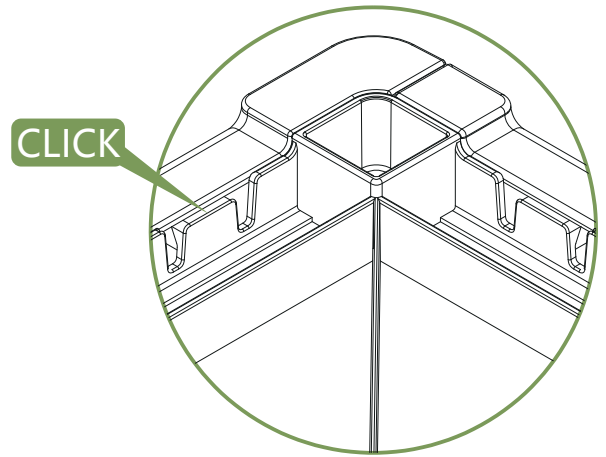
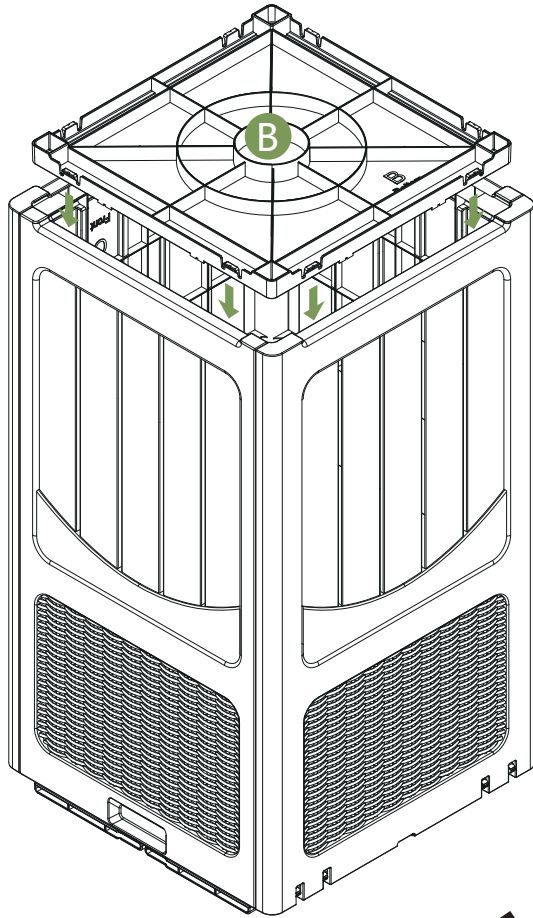


Assembly steps

Step 4



B (X1)

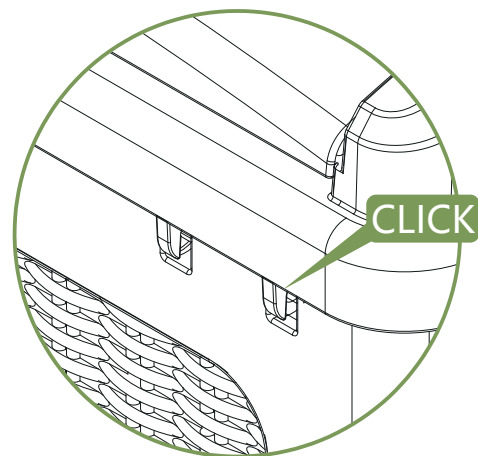
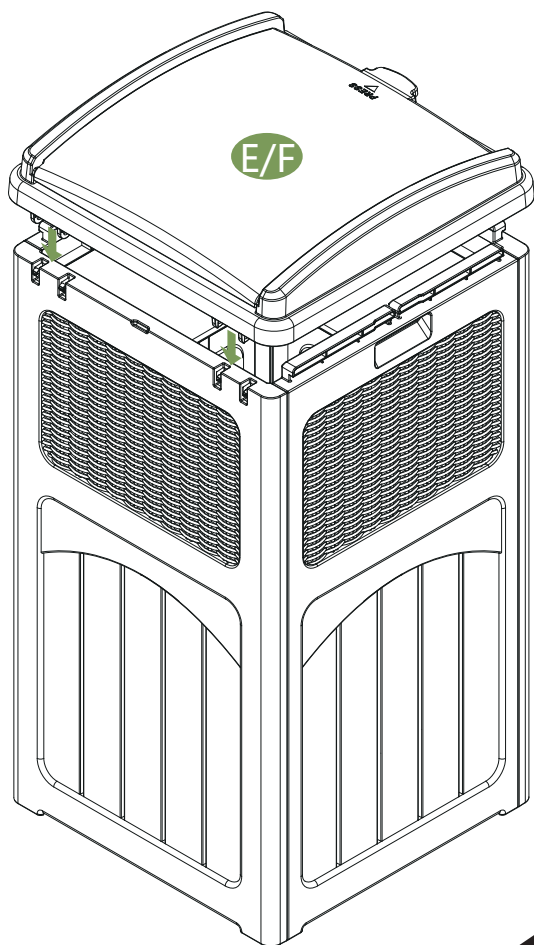


Assembly steps

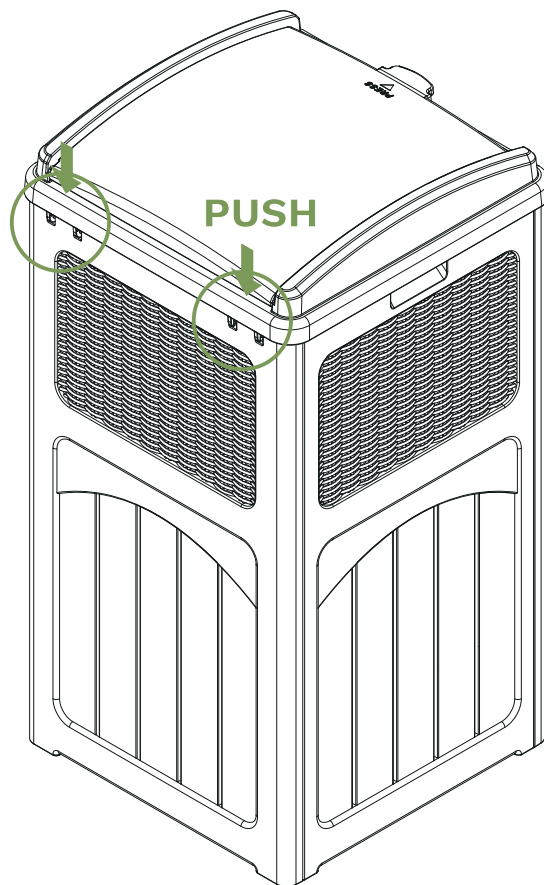
Step 5



E/F (X1)

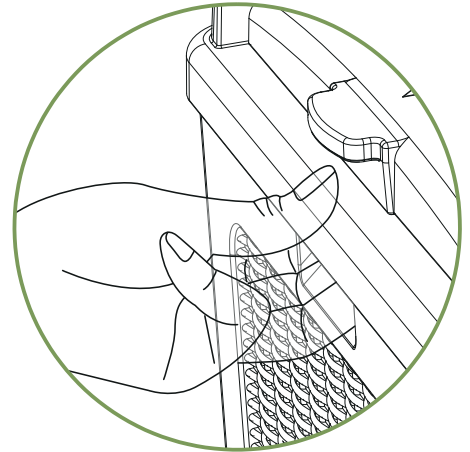
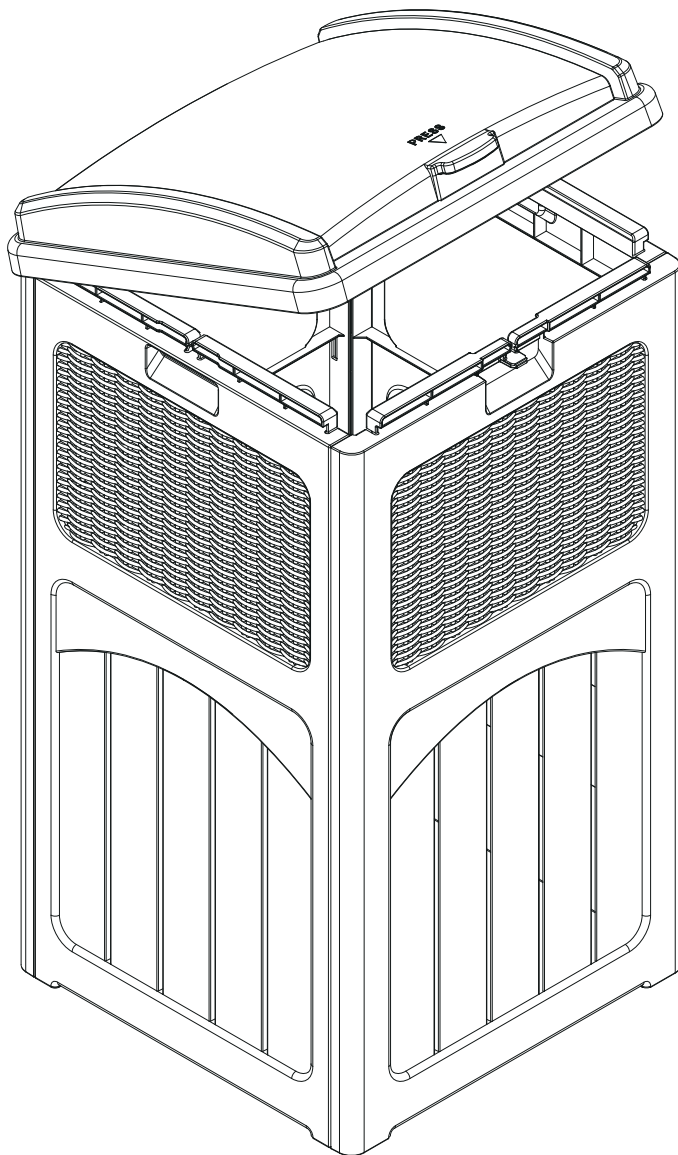


After aligning, push down and finish.



Assembly steps

Step 6



Assembly steps

Step 7

