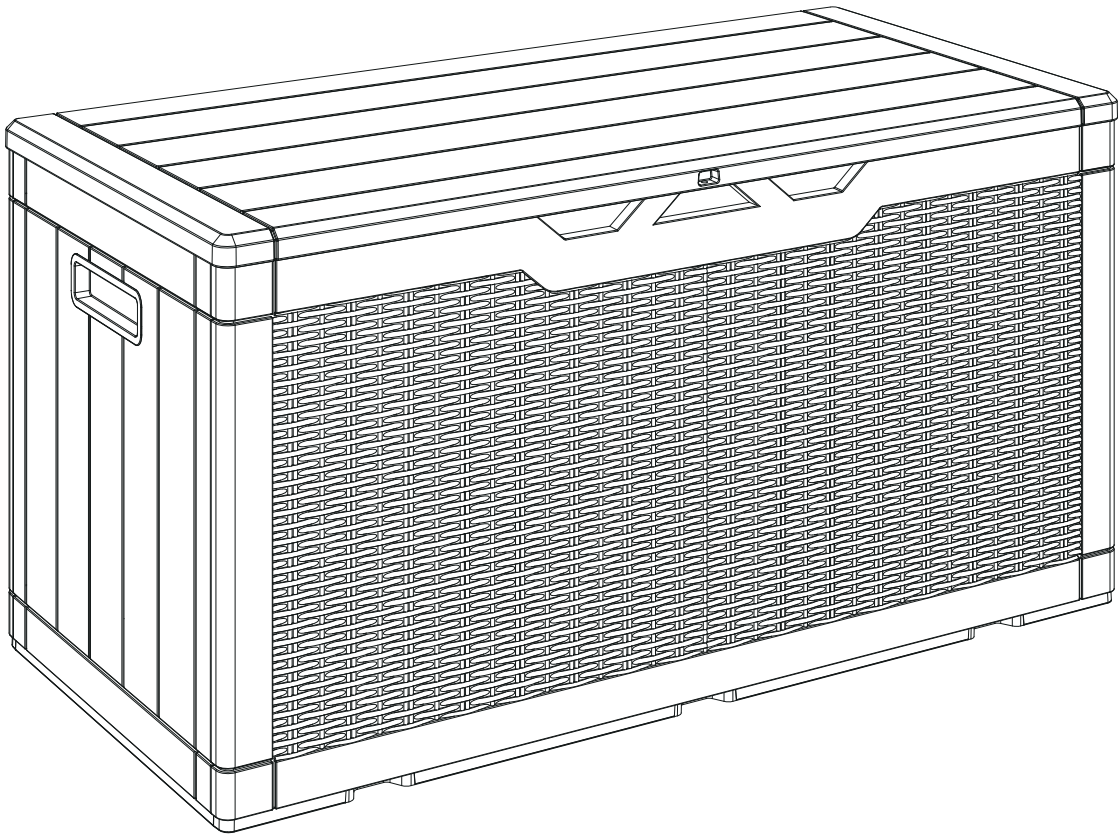


ASSEMBLY INSTRUCTIONS

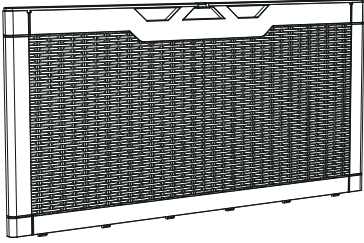
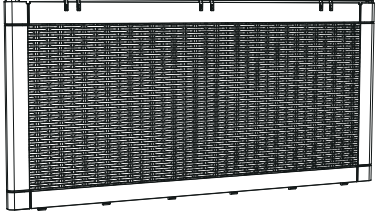
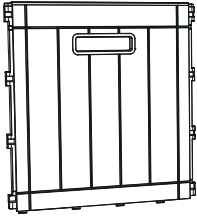
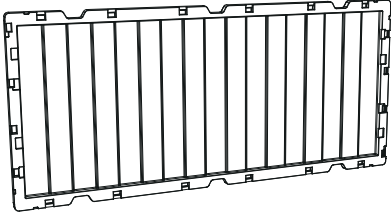
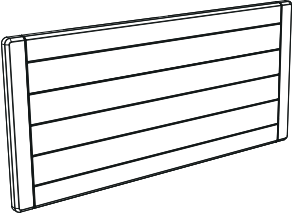

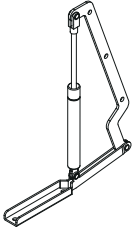
■ 1-Piece

Deck Box



Parts

Check and make sure you get the components on the list, contact us for any missing.

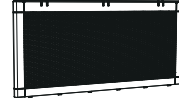
| | | | | | |
|---|---|----|---|--|----|
| A |  <p>Front box piece</p> | X1 | B |  <p>Rear box piece</p> | X1 |
| C |  <p>Side box piece</p> | X2 | D |  <p>Bottom plate</p> | X1 |
| E |  <p>Cover</p> | X1 | F |  <p>Screws</p> | X8 |
| G |  <p>Hydraulic Rods</p> | X2 | | | |

Assembly steps

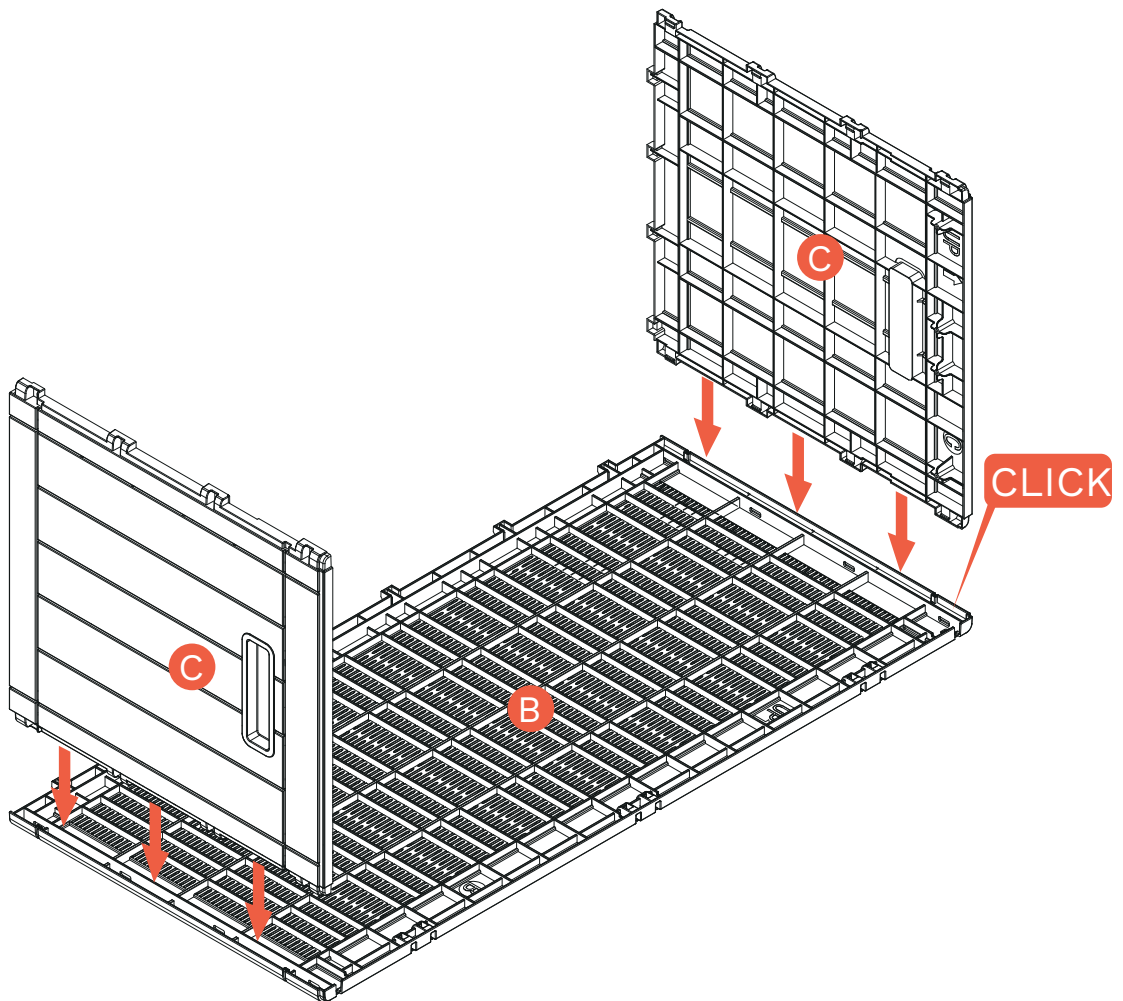
Step 1



C (X2)

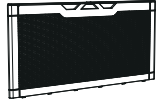


B (X1)

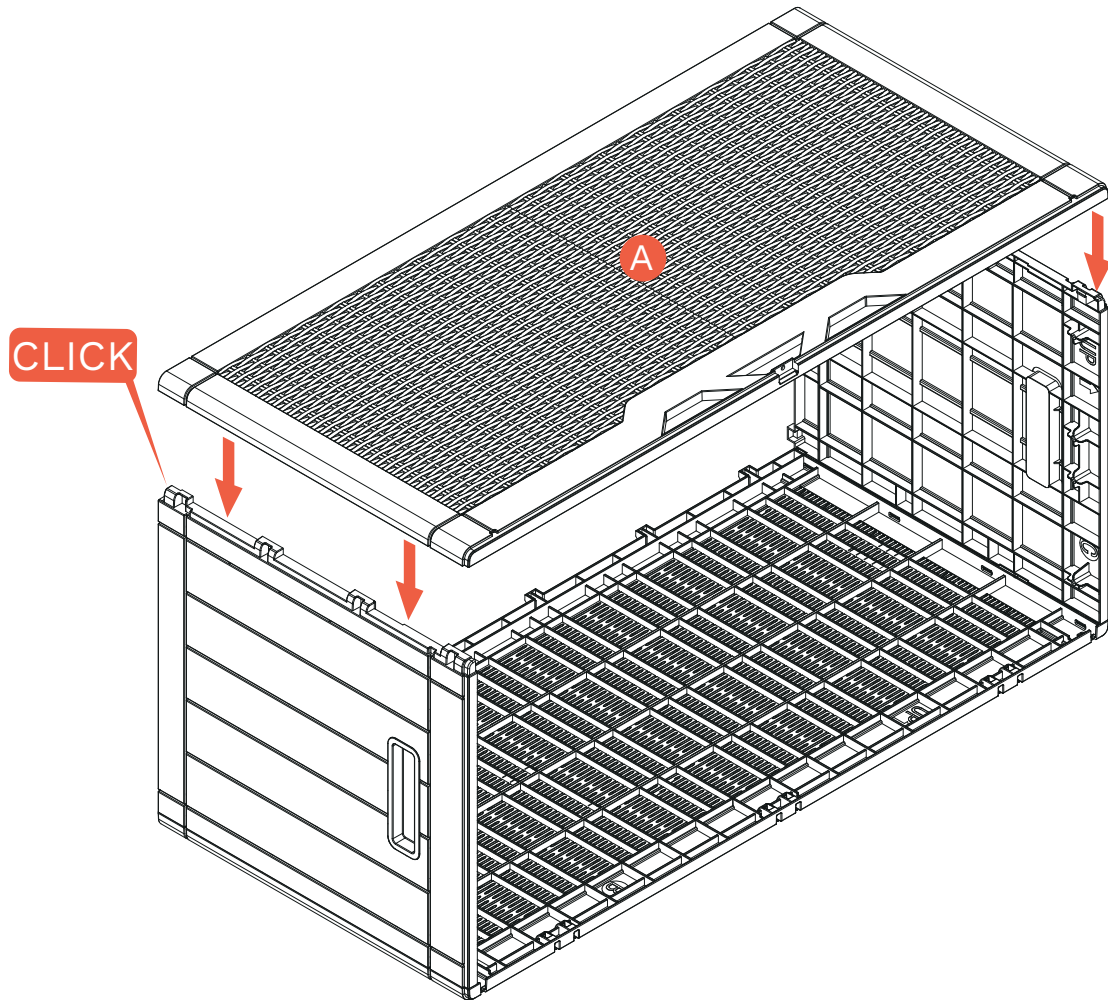


Assembly steps

Step 2

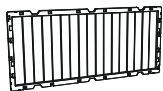


A (X1)

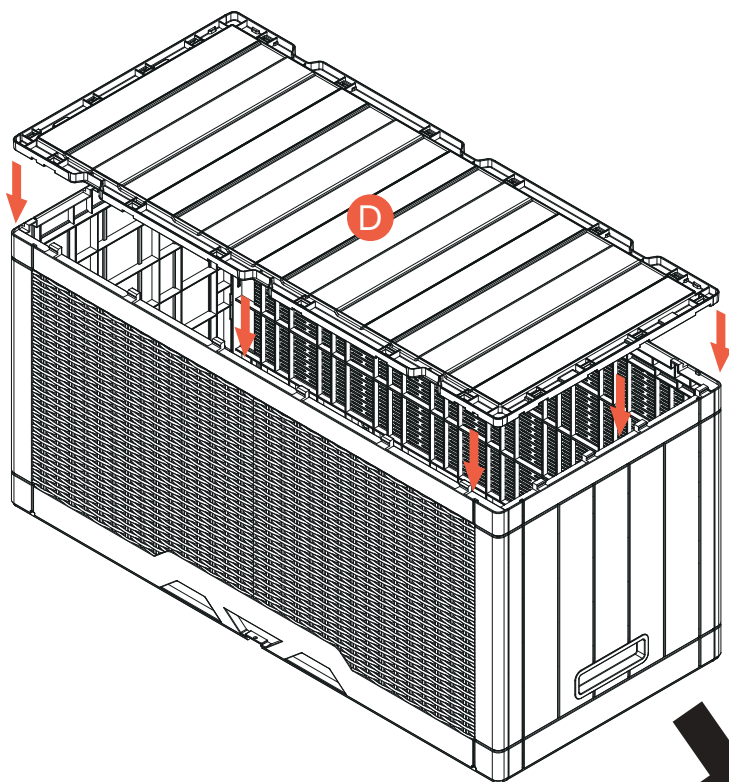


Assembly steps

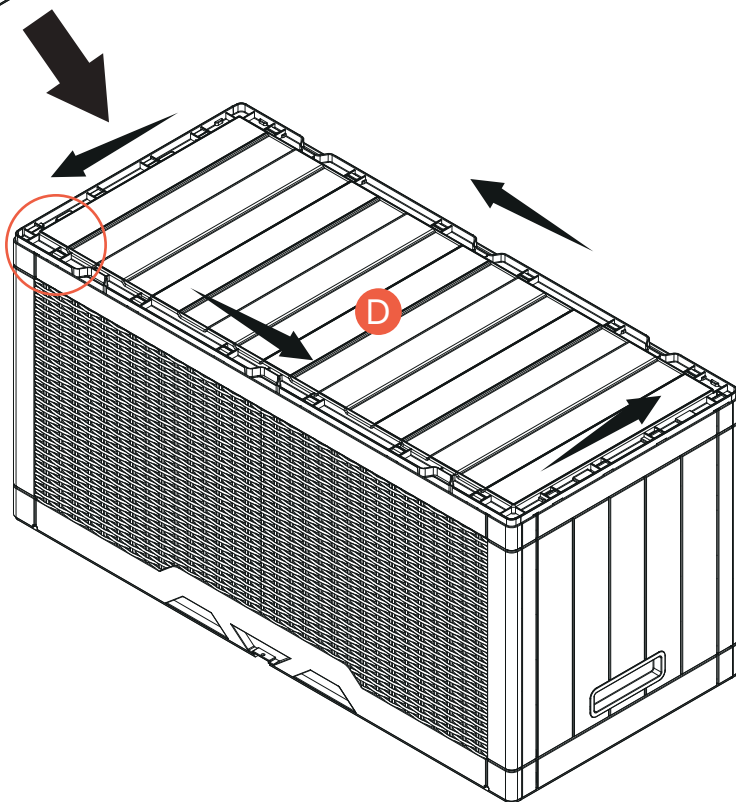
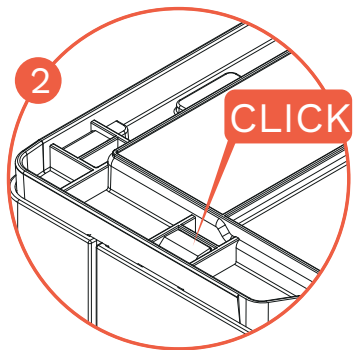
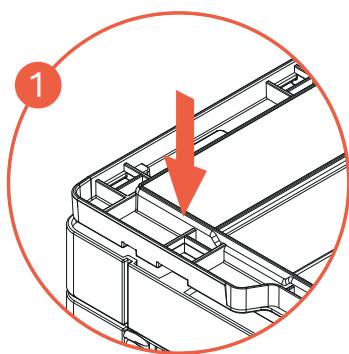
Step 3



D (X1)

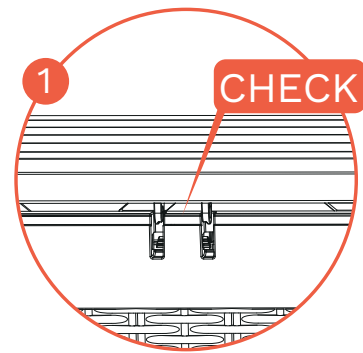
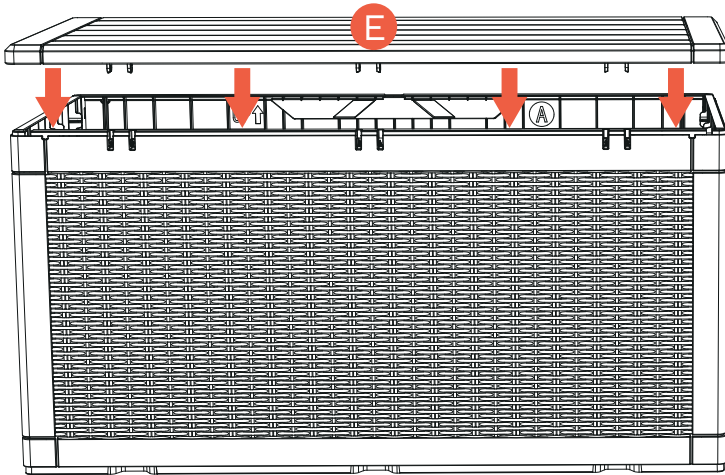


1. Align the slots on board D.

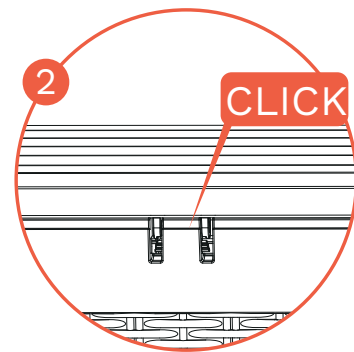
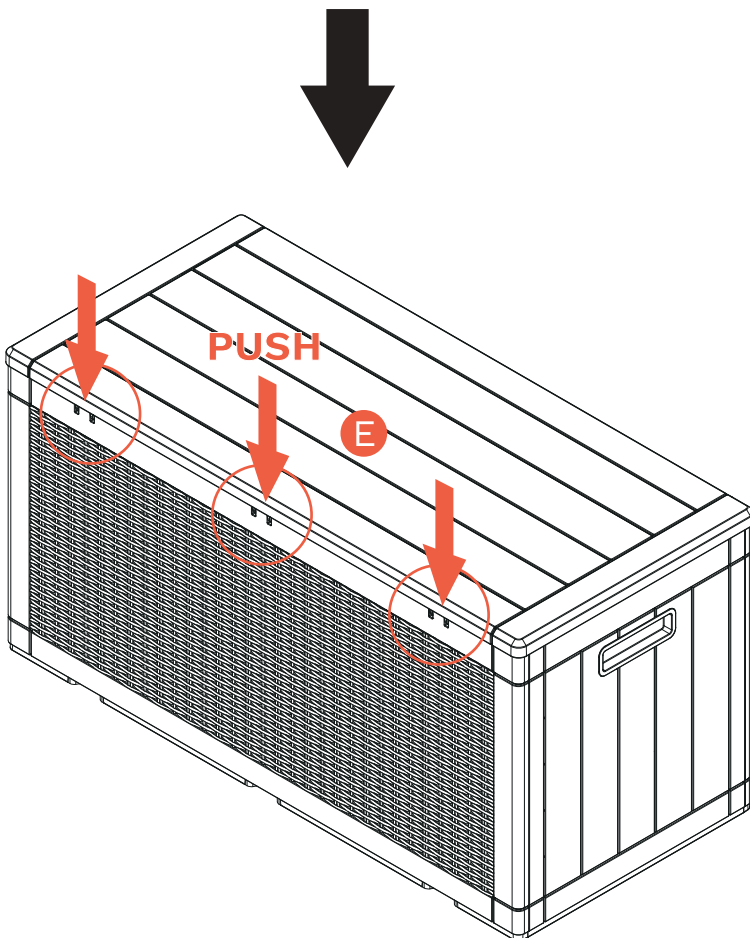


Assembly steps

Step 4



1. After aligning the three clasps on boards B and E, proceed with the assembly.



Assembly steps

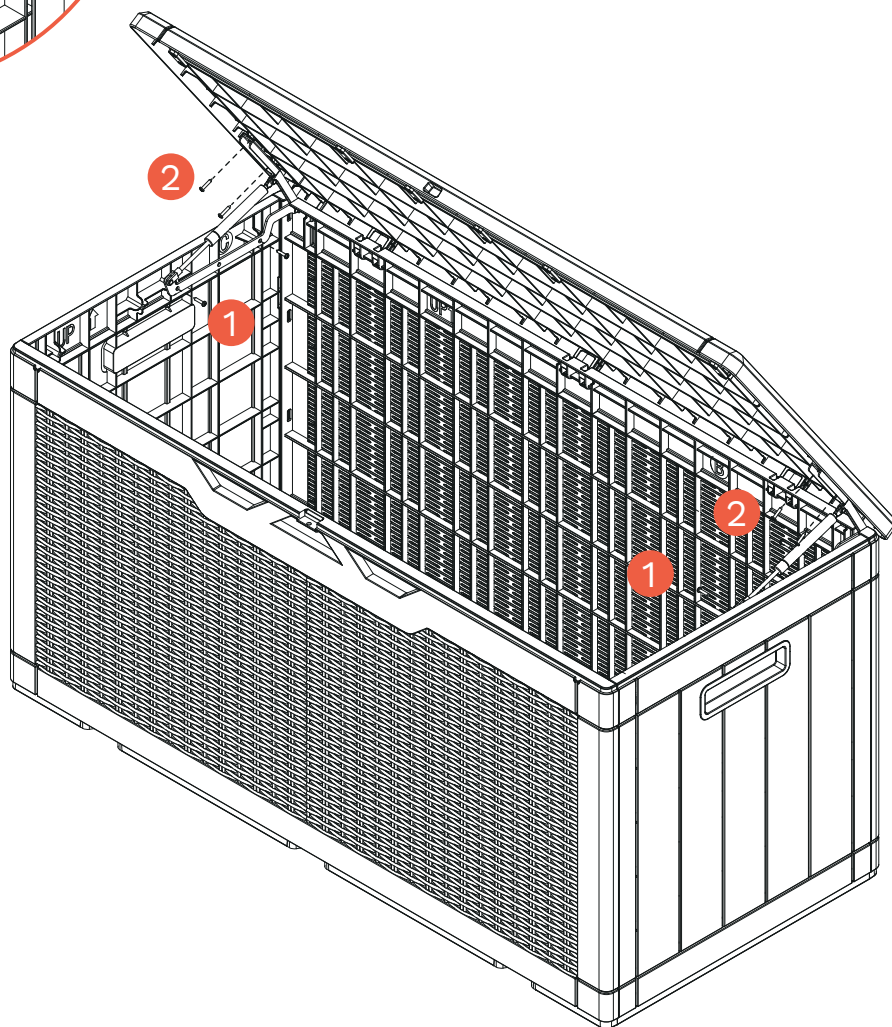
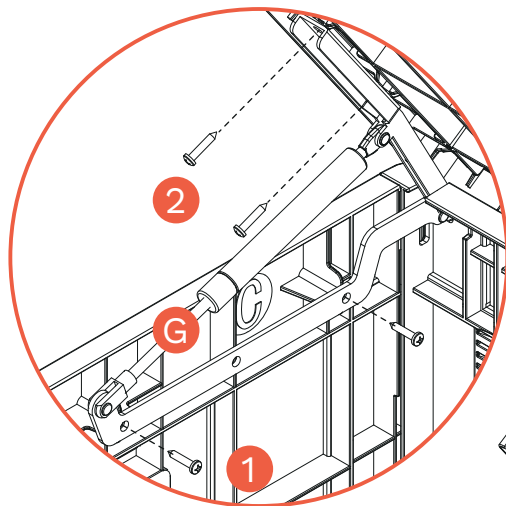
Step 5



G (X2)



F (X8)



Assembly steps

Step 6

