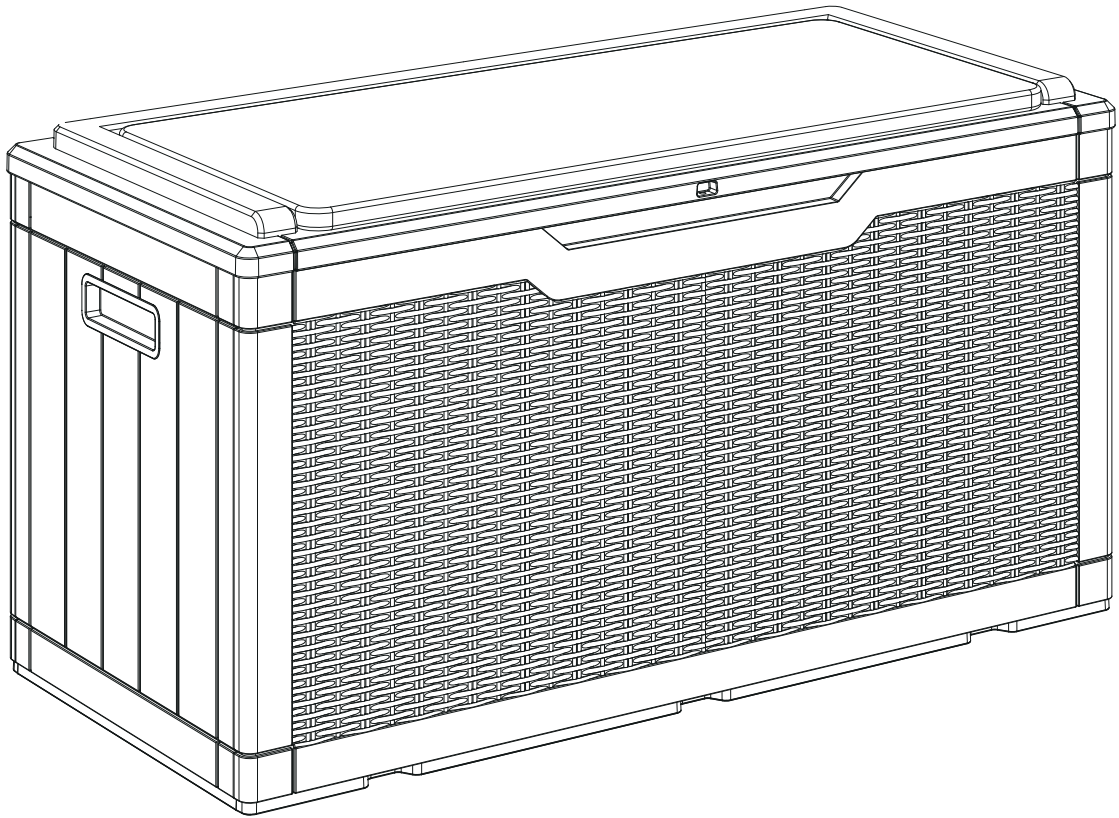


ASSEMBLY INSTRUCTIONS

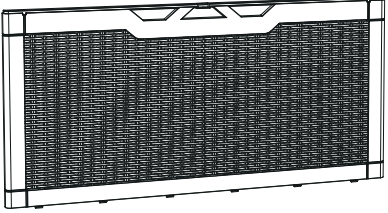
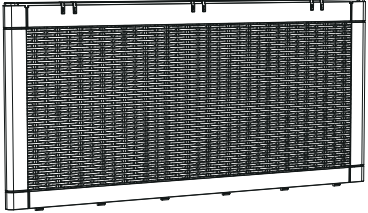
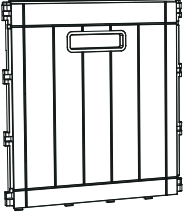

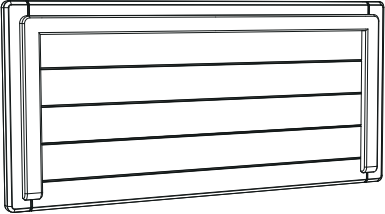

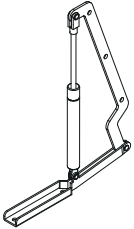

■ 1-Piece

Deck Box



Parts

Check and make sure you get the components on the list, contact us for any missing

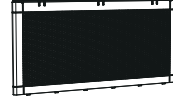
A	 <p>Front box piece</p>	X1	B	 <p>Rear box piece</p>	X1
C	 <p>Side box piece</p>	X2	D	 <p>Bottom plate</p>	X1
E	 <p>Cover</p>	X1	F	 <p>Screws</p>	X8
G	 <p>Hydraulic Rods</p>	X2	H	 <p>Cushion</p>	X1

Assembly steps

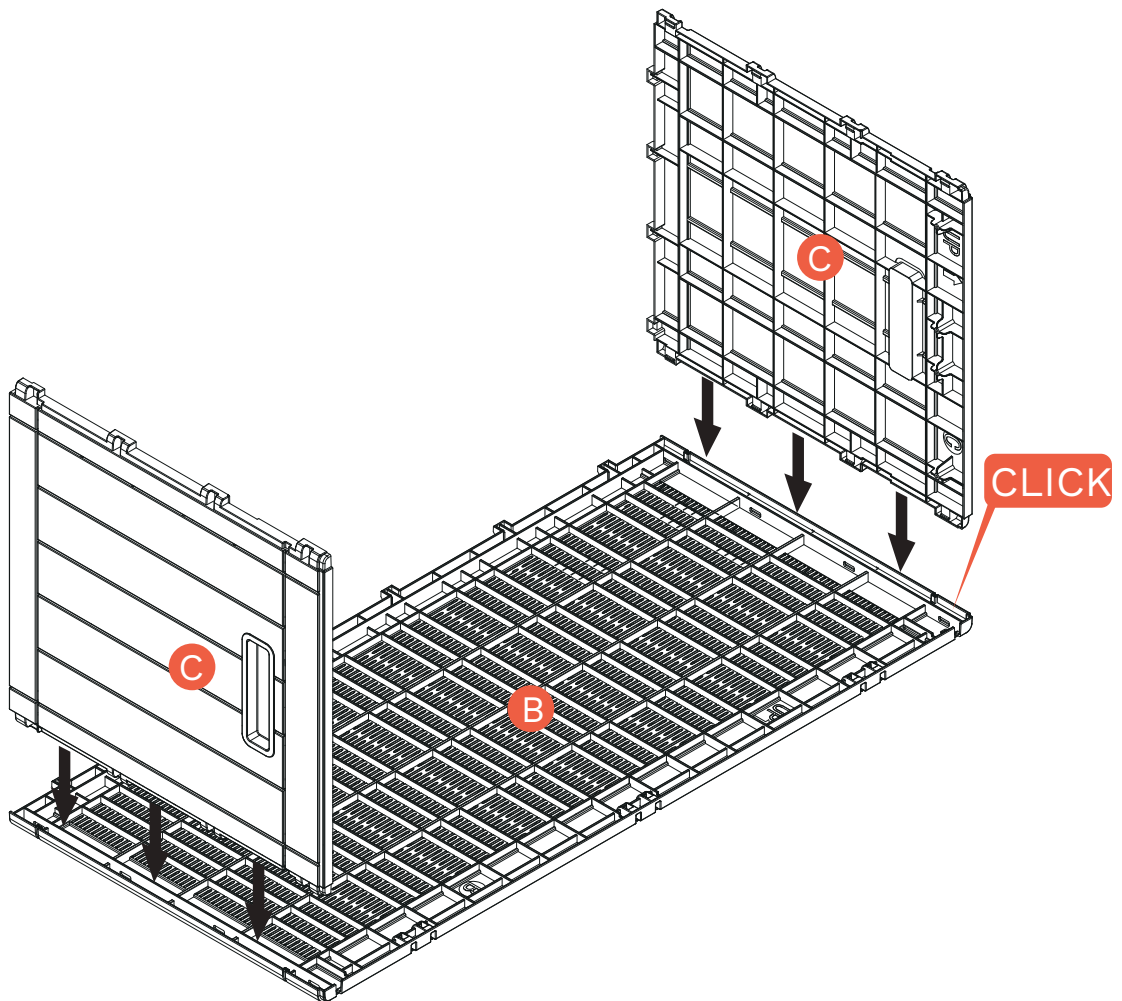
Step 1



C (X2)

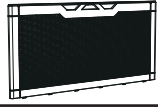


B (X1)

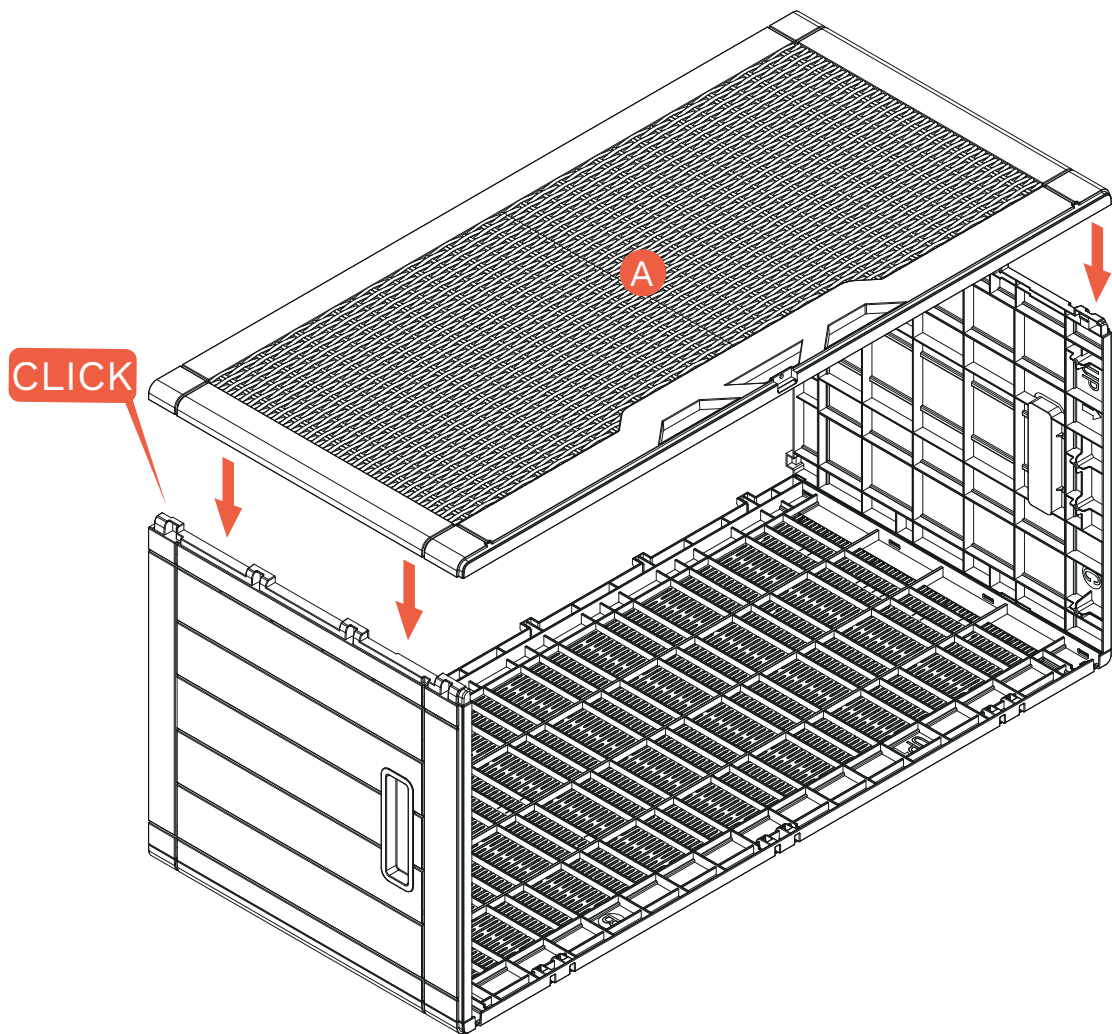


Assembly steps

Step 2

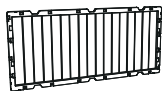


A (X1)

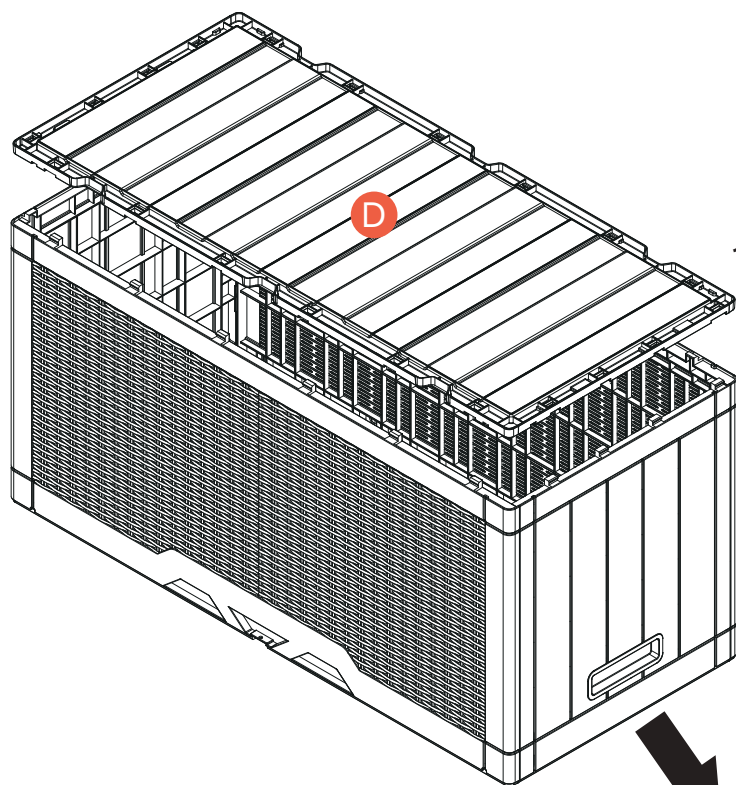


Assembly steps

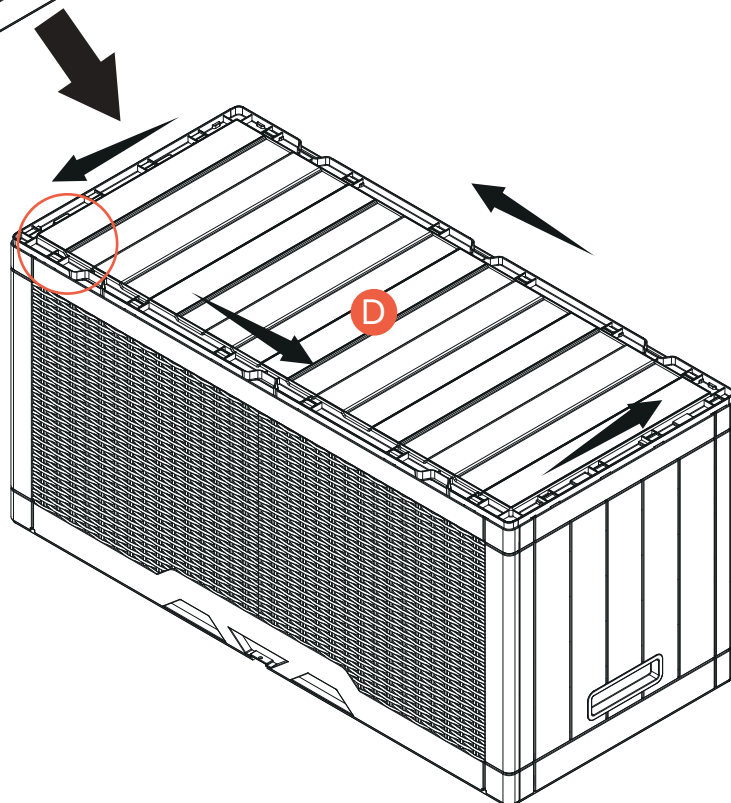
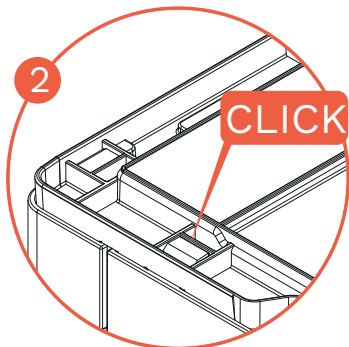
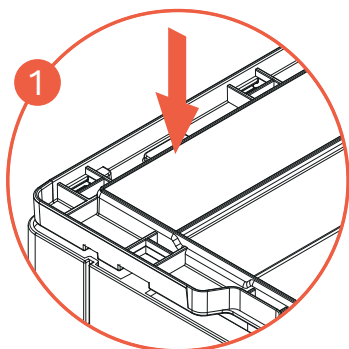
Step 3



D (X1)



1. Align the slots on board D.

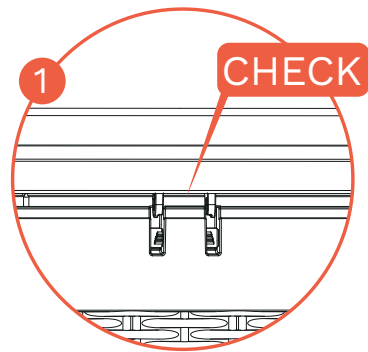
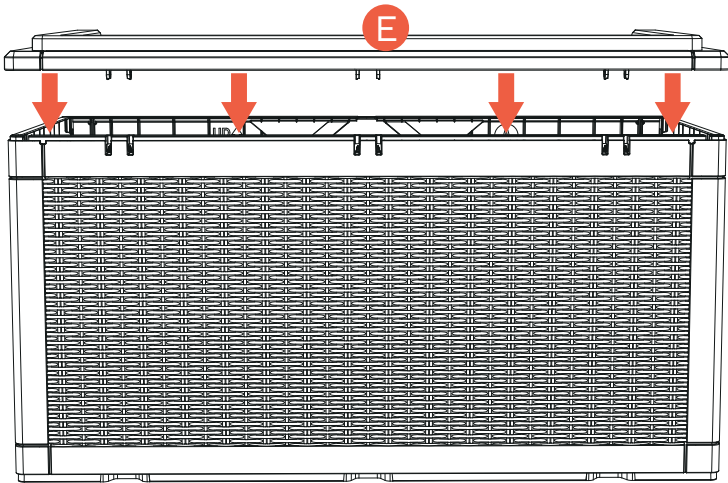


Assembly steps

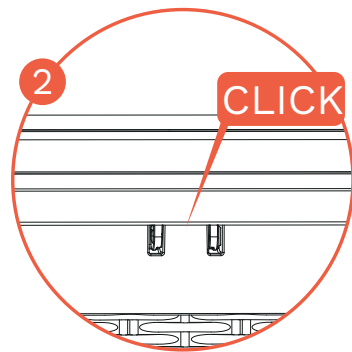
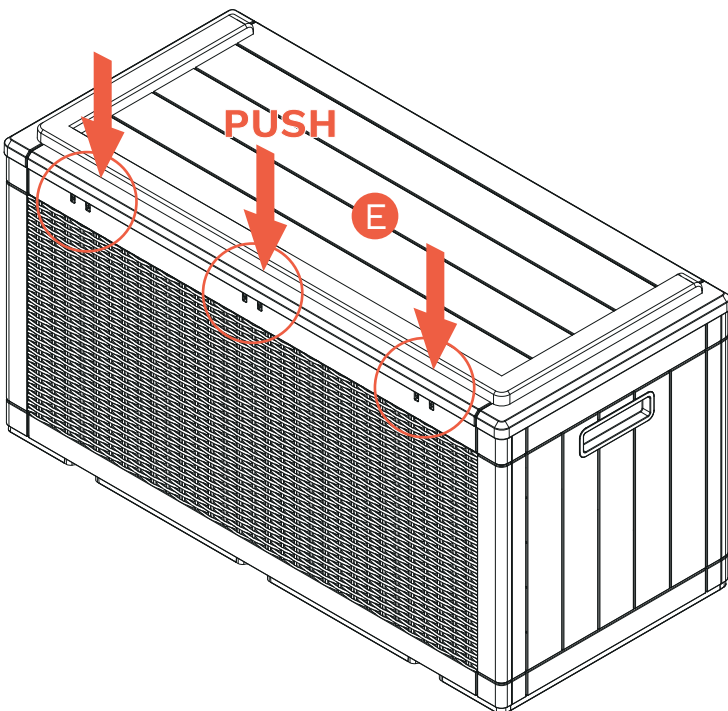
Step 4



E (X1)



1. After aligning the three clasps on boards B and E, proceed with the assembly.



Assembly steps

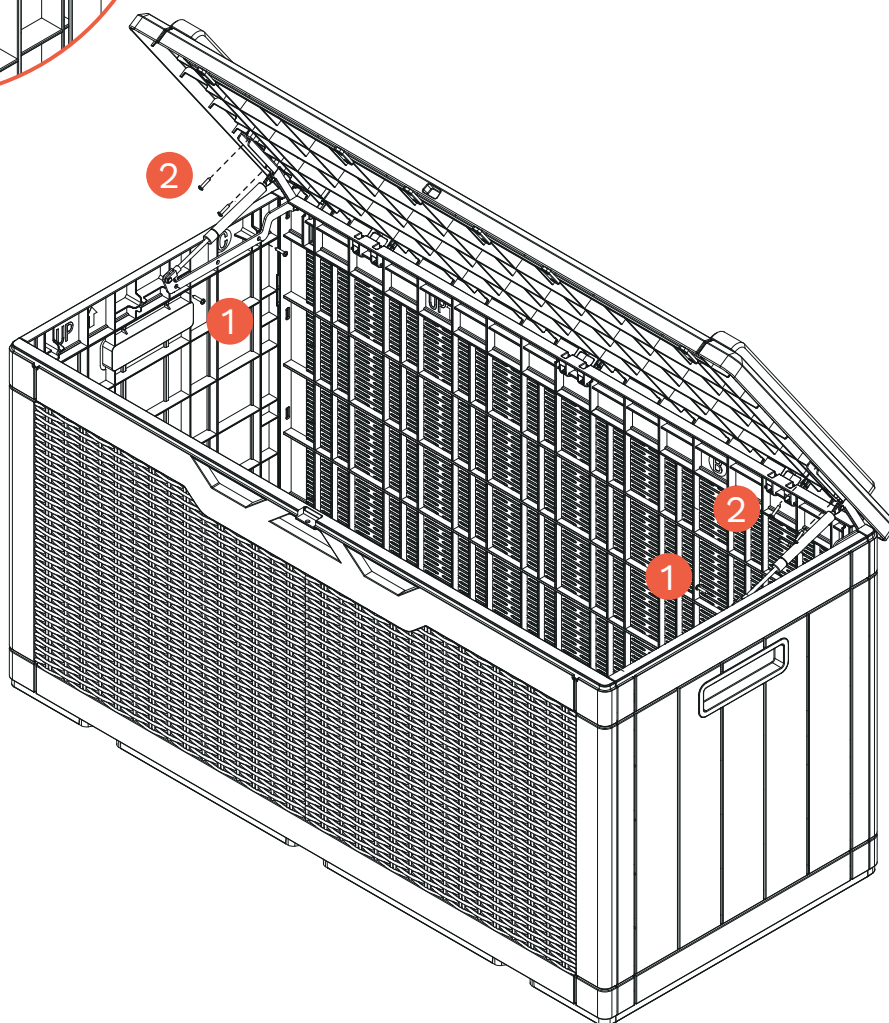
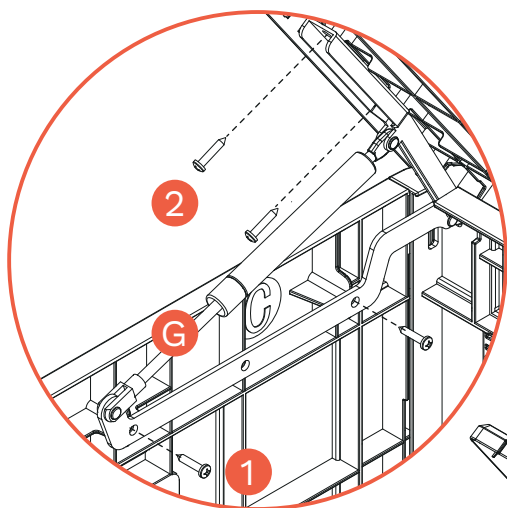
Step 5



G (X2)

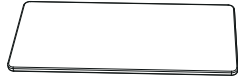


F (X8)



Assembly steps

Step 6



H (X1)

