

ASSEMBLY INSTRUCTIONS

TOOL ORGANIZE

SKU: T-CS22-0109-SR

BE
YOUR
LIFE BUILDER

www.patiowell.com






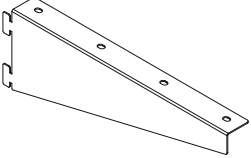
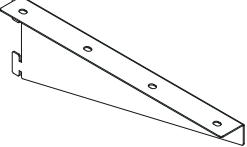
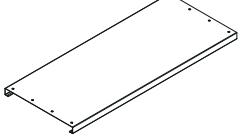
 Patiowell

Tool Organize
Installation Tutorial

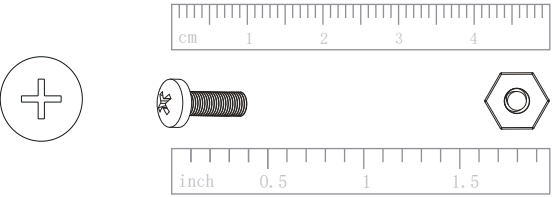
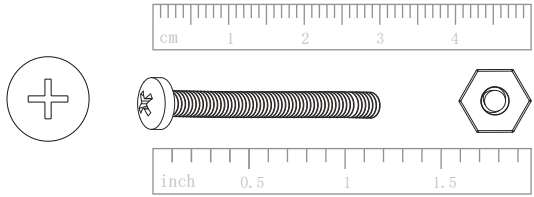
[https://patiowell.com/pages/
video-t-cs22-0109-sr](https://patiowell.com/pages/video-t-cs22-0109-sr)

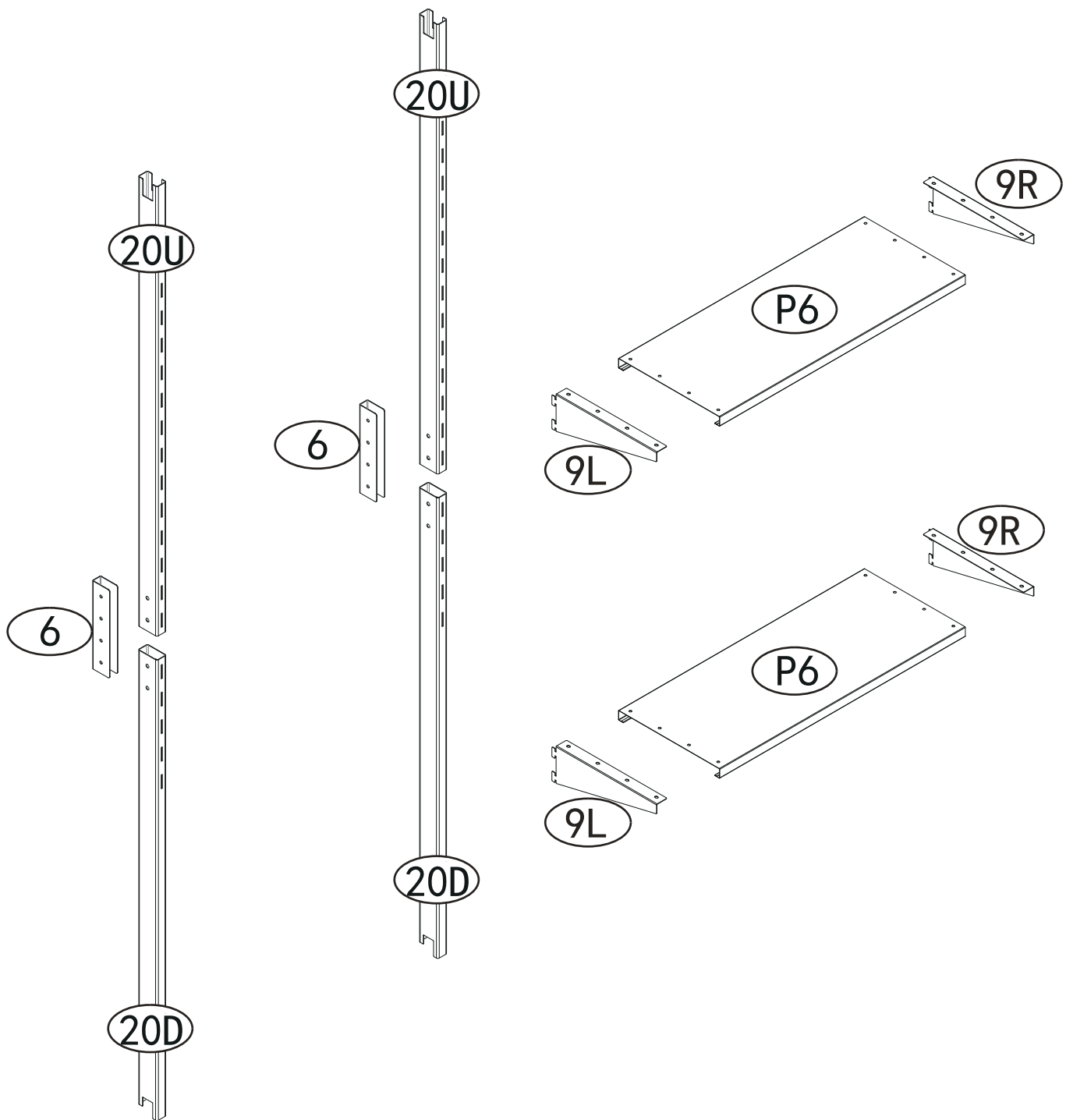
 saleservice@patiowell.com

PARTS

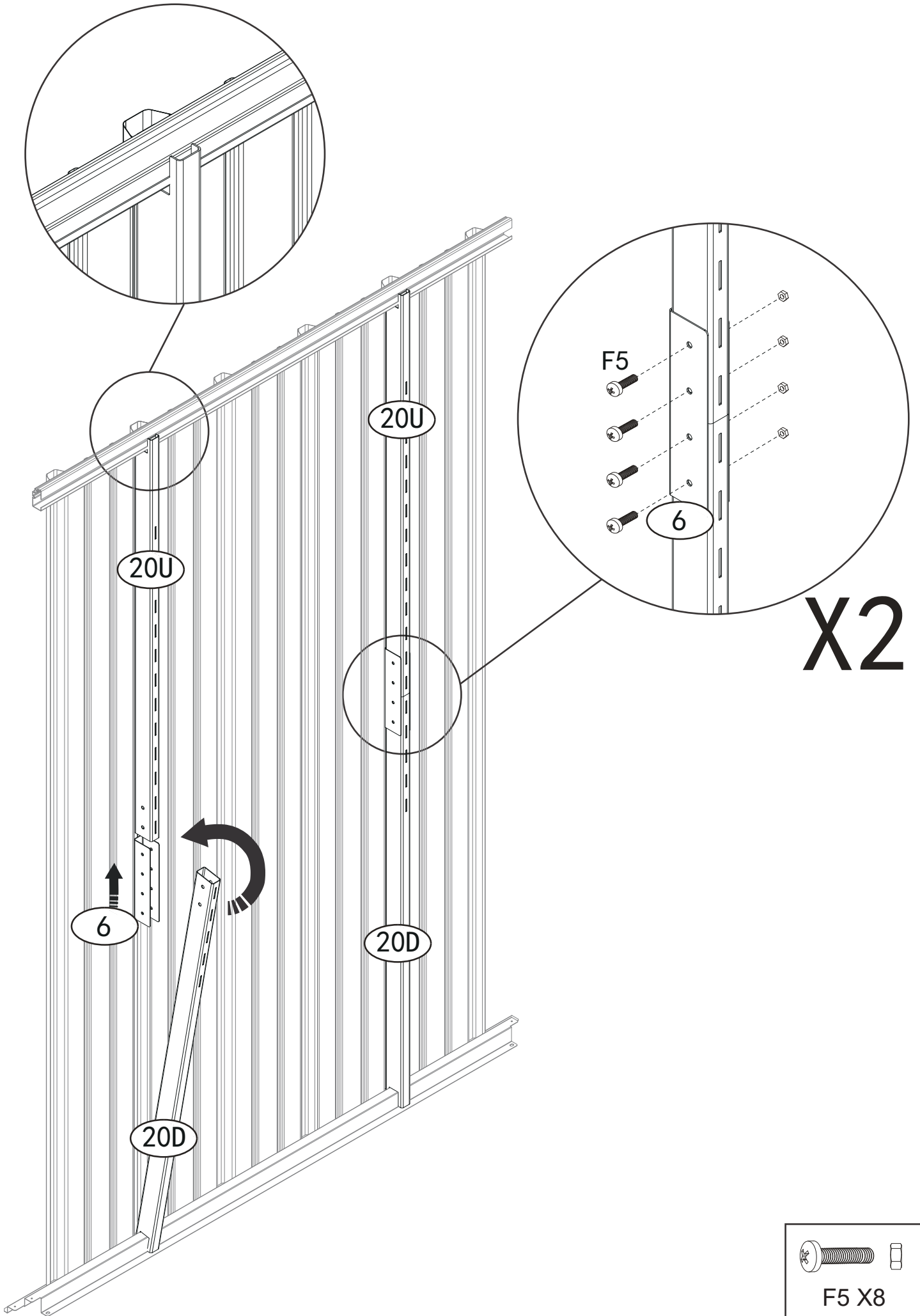
 20U X2	 20D X2	 6 X2	 9L X2
 9R X2	 P6 X2		

SCREW

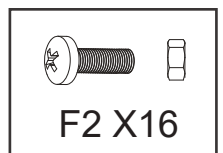
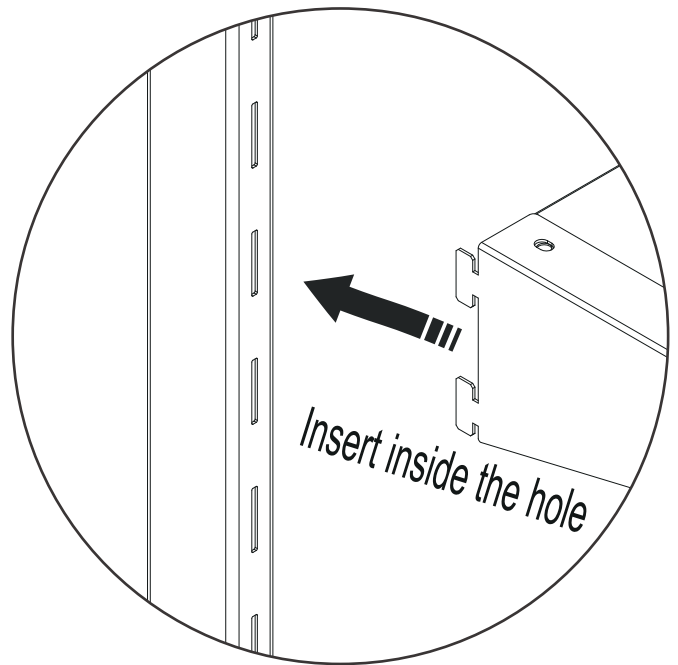
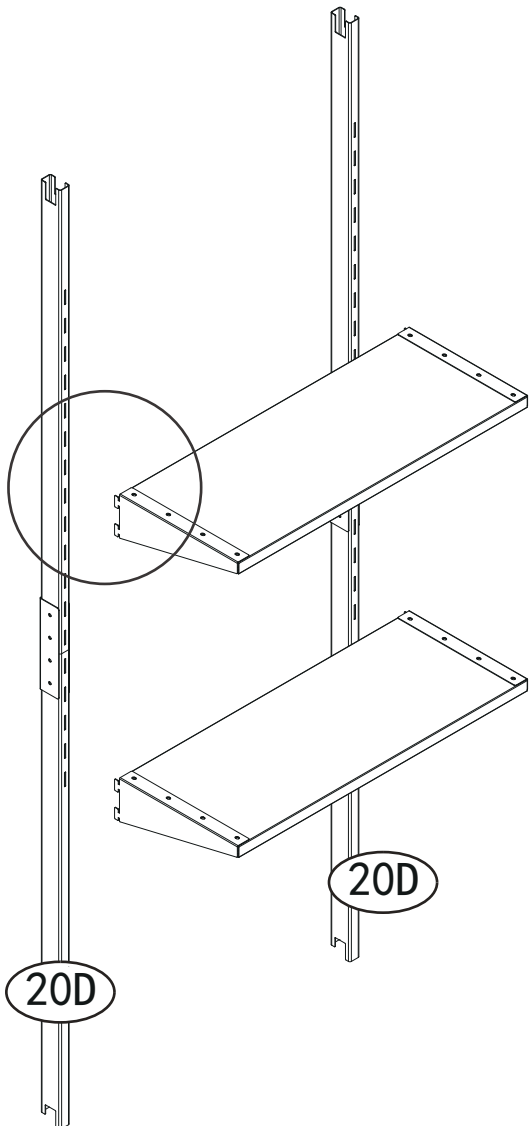
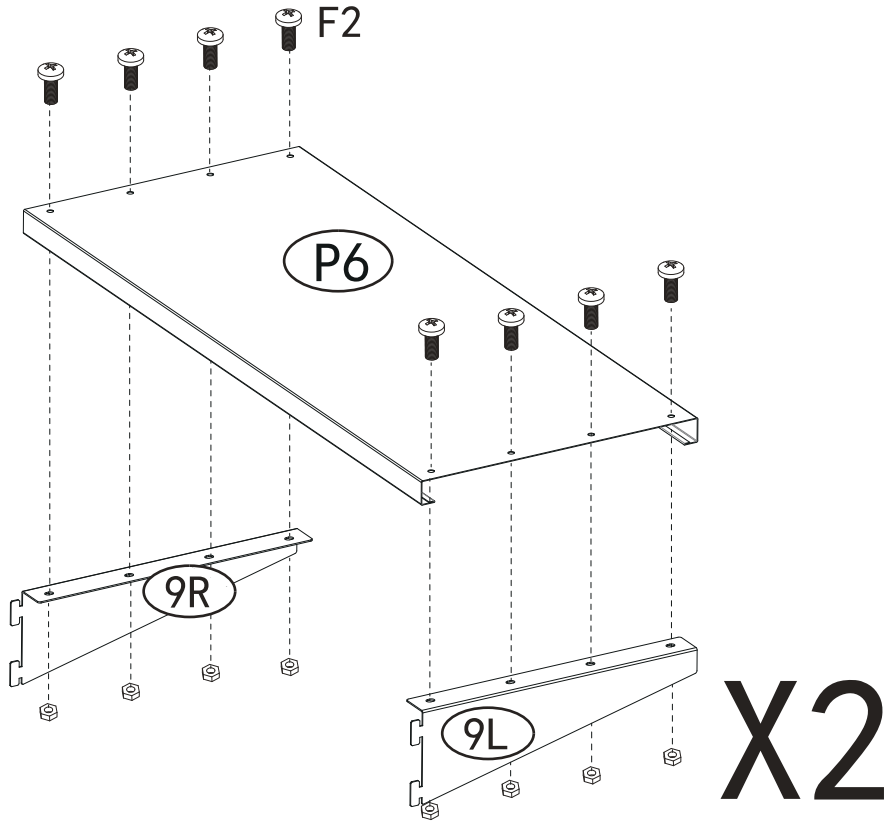
 F2(X16) M4*10	 F5(X8) M6*30
---	---

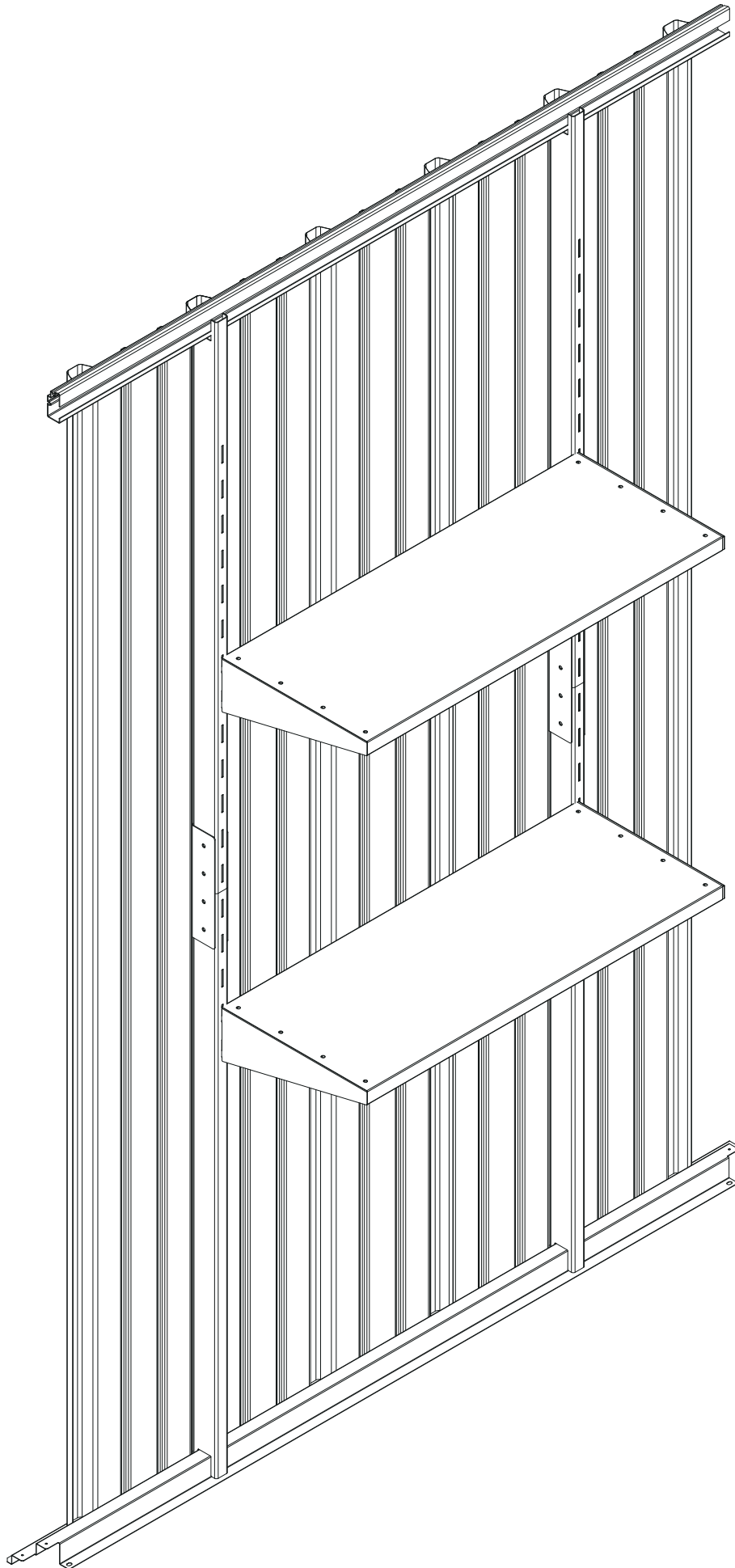


STEP 1



STEP 2





CARE & SAFETY

- In case of fire, do not attempt to extinguish any burning polypropylene with water. Unsuitable for storage of flammable or corrosive substances.
- It is of utmost importance to assemble all of the parts according to the directions. Do not skip any step.
- Periodically check Tool shelving rack to assure that it remains stable and that the using place remains level.
- Wear safety-goggles and constantly follow the manufacturer's instructions when using power tools.
- Hot items such as recently used grills, blowtorches, etc. must not be stored in the tool shelving rack.
- Hot items such as recently used grills, blowtorches, etc. must not be stored in the tool shelving rack.