



ASSEMBLY INSTRUCTIONS

RESIN GARDEN SHED

SKU: T-PS23-0404-868G

BE
YOUR
LIFE BUILDER

www.patiowell.com



Patiowell
Resin Garden House
Installation Tutorial
[https://www.patiowell.com/
pages/video-t-ps23-0404-868g](https://www.patiowell.com/pages/video-t-ps23-0404-868g)

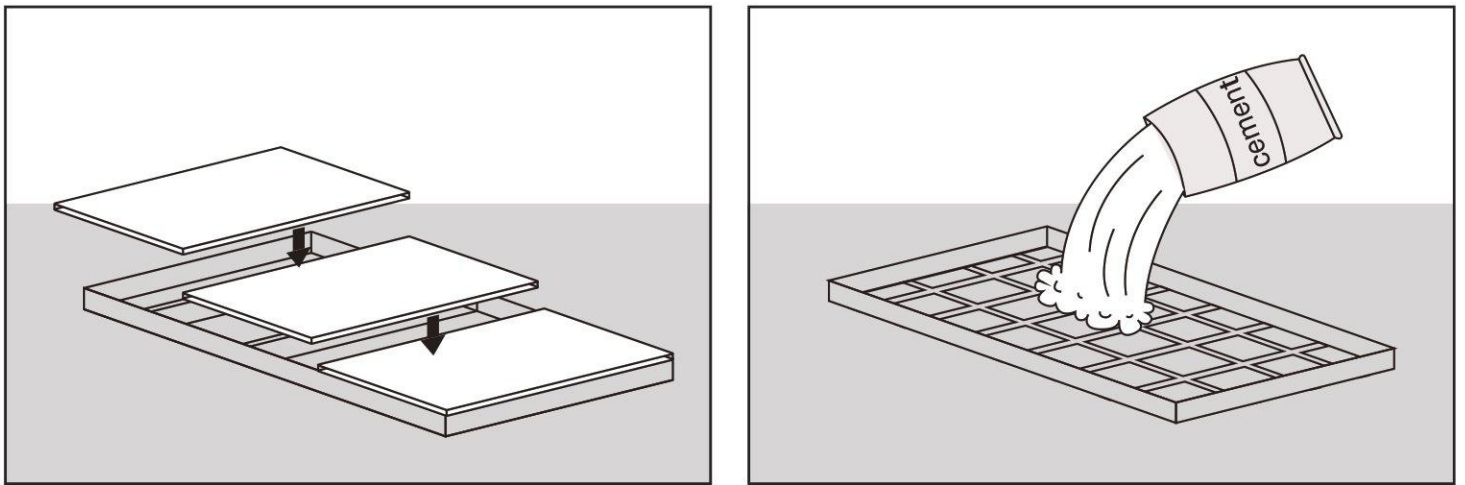
 saleservice@patiowell.com

SITE PREPARATION

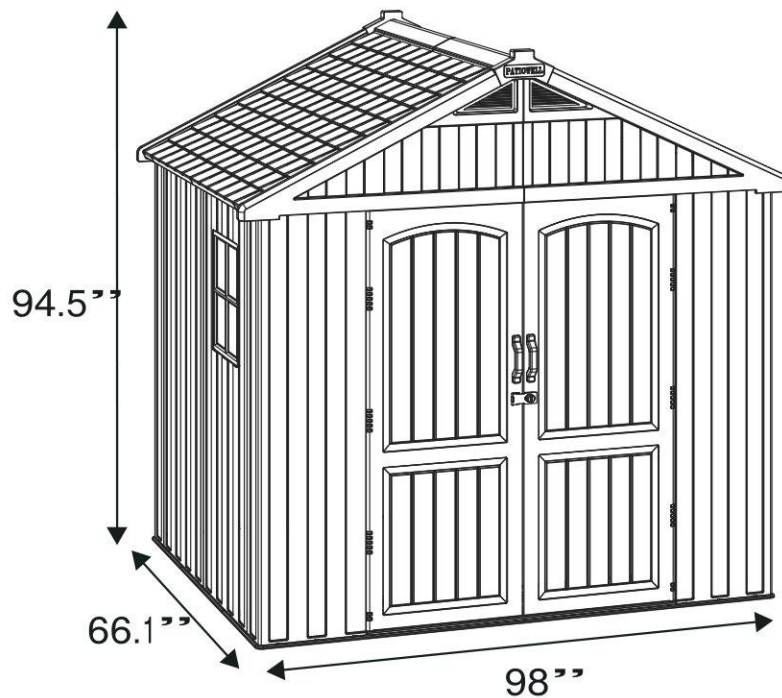
Level the ground surface.



Recommendation: Construct a wooden or concrete base as a foundation.



The external dimensions of the product :



Before installation, please measure the ground with a tool and make sure the ground is level before installation.

BEFORE STARTING ASSEMBLY

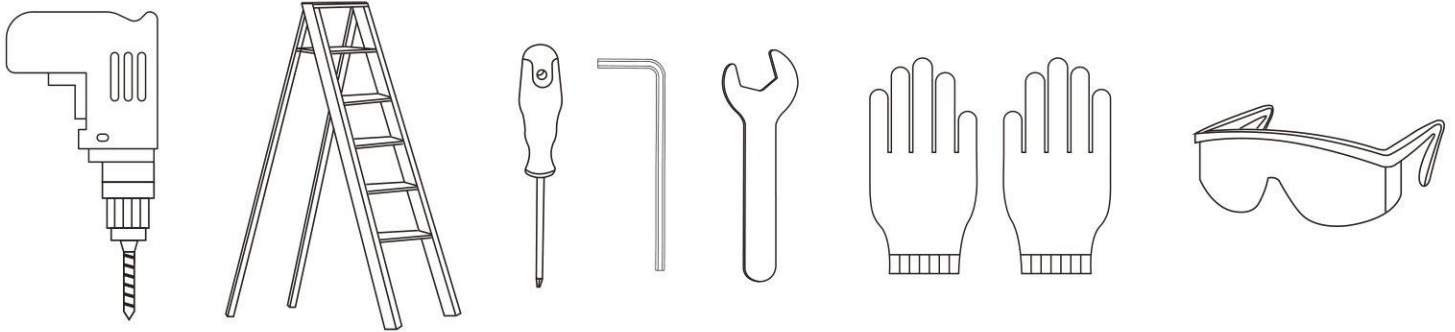
Remove all of the pieces from the 5 packages and spread them out on the ground. Before installation, please check the type and quantity of parts first.

It is recommended to use a clean work surface to spread the parts out and for pre-assembly steps. Review all instructions before you begin, continue to refer to instructions during assembly.

Be sure to follow all steps thoroughly.

Please prepare these components in advance at the beginning of each stage.

REQUIRED TOOLS



CAUTION

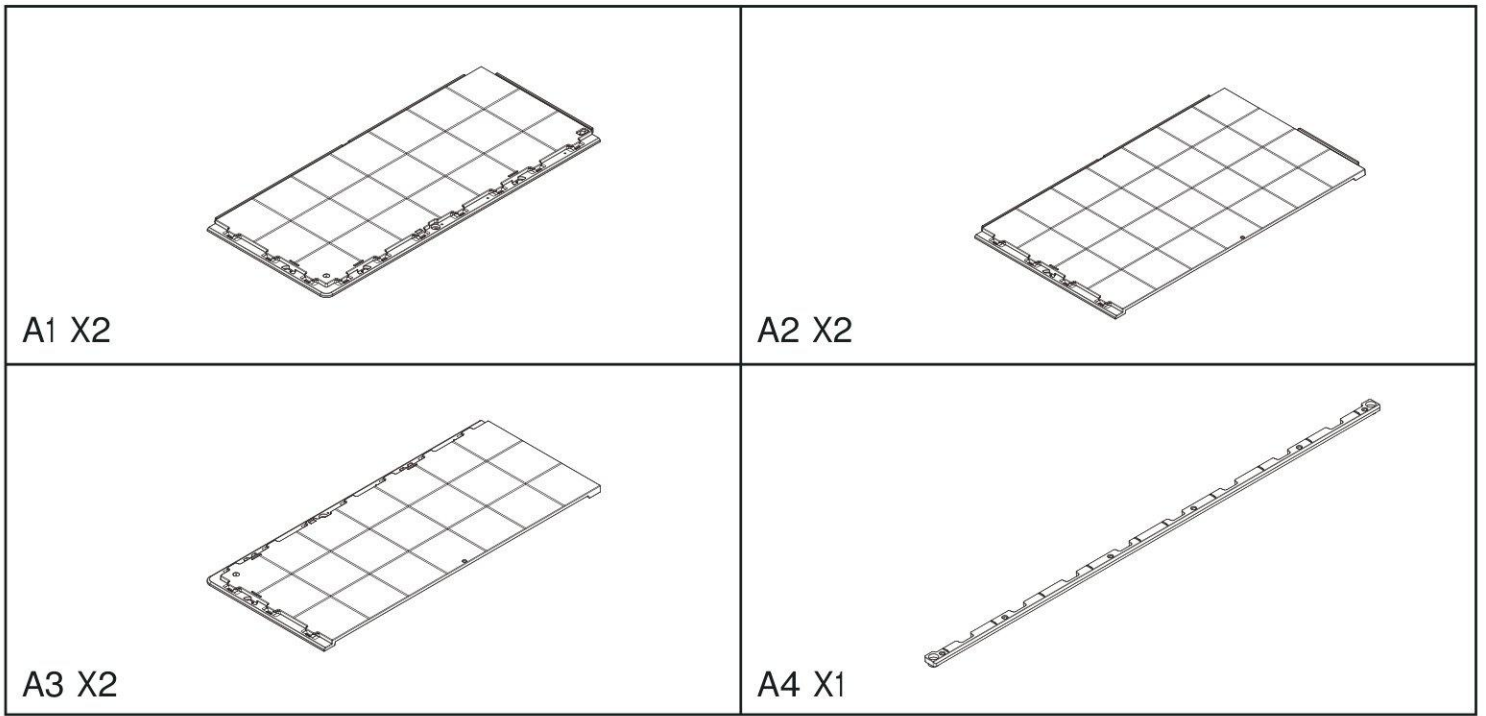
Some parts have steel edges. Please be careful when handling components. Always wear work gloves, eye protection and long sleeves when assembling or performing any maintenance on your shed. Do not attempt assembly on days with strong winds or low temperatures.



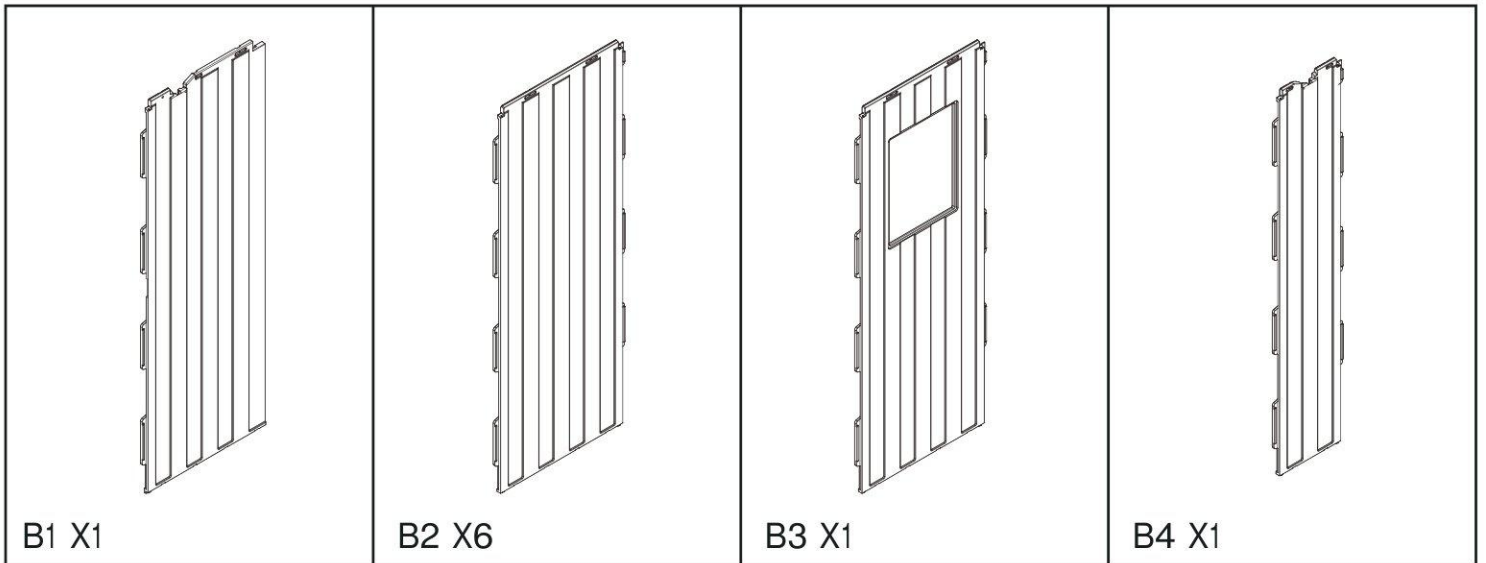
Requires two people and takes 2-3 hours for Installation. Recommended to wear gloves to avoid scratches. Please read the manual carefully before installation.

DO NOT RETURN YOUR UNIT
TO THE STORE
Contact us first
saleservice@patiowell.com



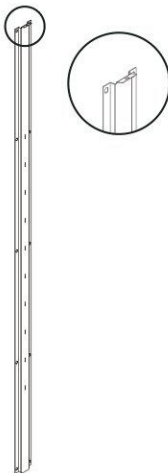

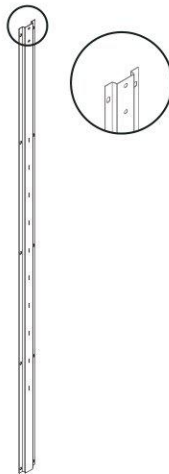
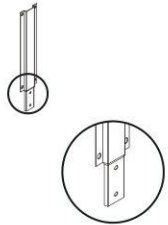
FLOOR PARTS




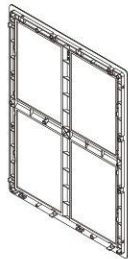

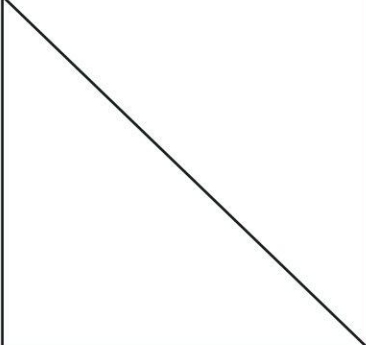
WALL PARTS




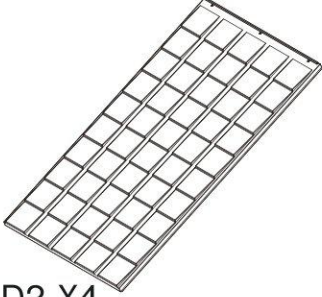


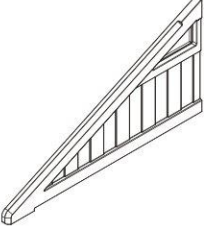
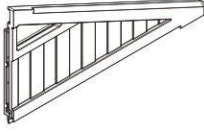






WALL PARTS

 <p>B5 X1</p>	 <p>B6 X1</p>	 <p>B2-1 X6</p>	 <p>B2-2 X2</p>
 <p>B2-3 X4</p>	 <p>B2-4 X2</p>		





WINDOW PARTS

 <p>W1 X2</p>	 <p>W2 X1</p>	 <p>W2 X1</p>	
--	--	---	---




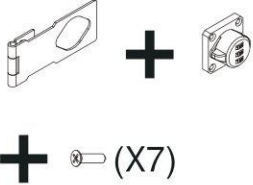



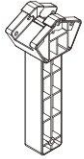
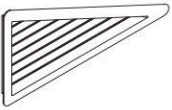




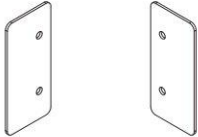


ROOF PARTS

 D1 X2	 D2 X4	 D3 X2	 E1 X2
 CL X2	 CR X2	 DD X1	 D2-1 X2
 D2-2 X1	 D2-3 X4	 D2-4 X2	 E1-1 X2

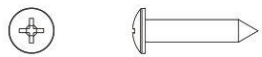
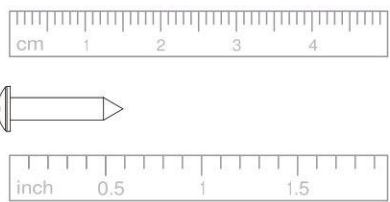
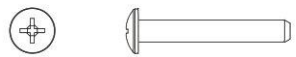
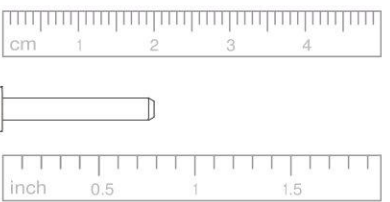
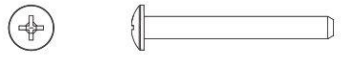
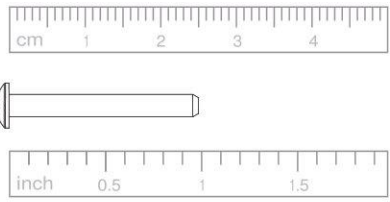
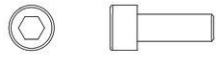
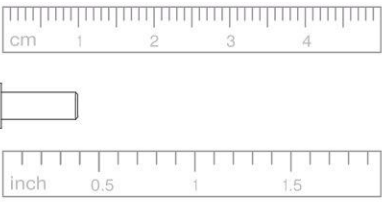
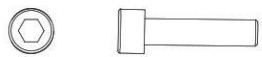
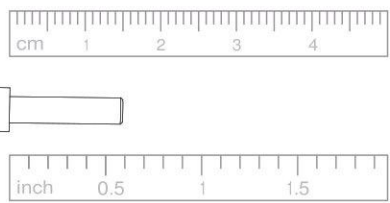

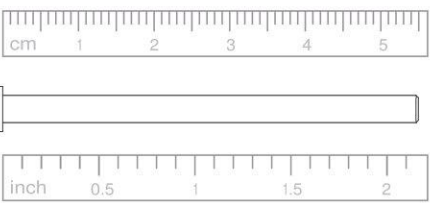
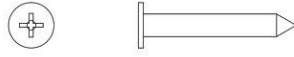
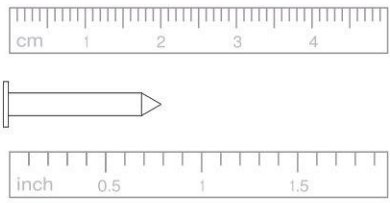

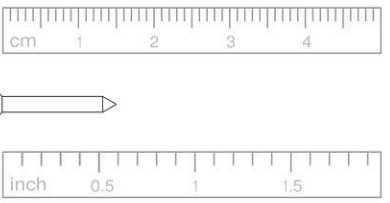

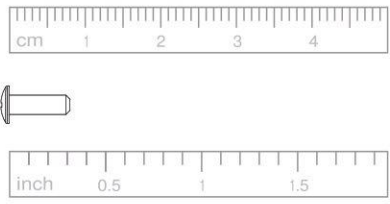

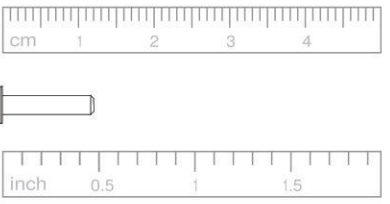
DOOR PARTS

 DL X1	 DR X1	 DF X2	 DZ X2
--	--	--	--

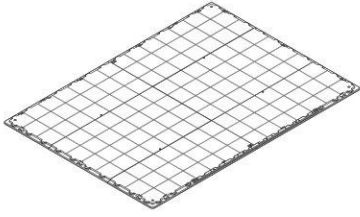
ACCESSORIES

 <p>DH1 X2</p>	 <p>DH2 X2</p>	 <p>DG X2</p>	 <p>DS X1</p>
 <p>DC X1</p>	 <p>DDZ X2</p>	 <p>E3 X2</p>	 <p>E4 X1</p>
 <p>CRI X2</p>	 <p>CLI X2</p>	 <p>D4 X16</p>	 <p>A5 X2</p>
 <p>A1-1 X1</p>	 <p>B1-1/B5-1 X1</p>	 <p>M6 X25</p>	 <p>Z8 X6</p>

SCREW

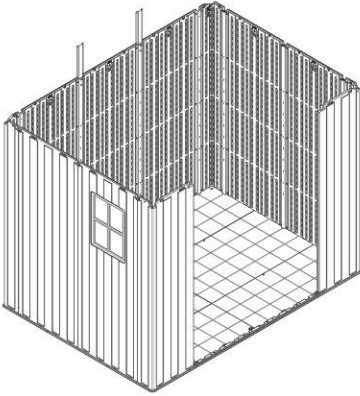
 <p>1 pcs</p>  <p>SP6-15 M6*15</p>	 <p>230 pcs</p>  <p>SP6-20 M6*20</p>
 <p>28 pcs</p>  <p>SP6-25 M6*25</p>	 <p>4 pcs</p>  <p>M6-10 M6*10</p>
 <p>10 pcs</p>  <p>M6-15 M6*15</p>	 <p>11 pcs</p>  <p>M6-55 M6*55</p>
 <p>10 pcs</p>  <p>SPF6-20 M6*20</p>	 <p>2 pcs</p>  <p>SF4-15 M4*15</p>
 <p>6 pcs</p>  <p>M5-8 M5*8</p>	 <p>8 pcs</p>  <p>M5-12 M5*12</p>

CONTENTS



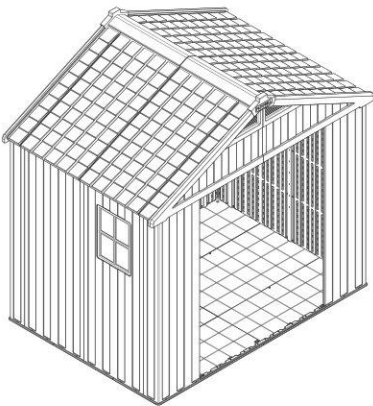
Floor Part Instruction

10-14
(page)



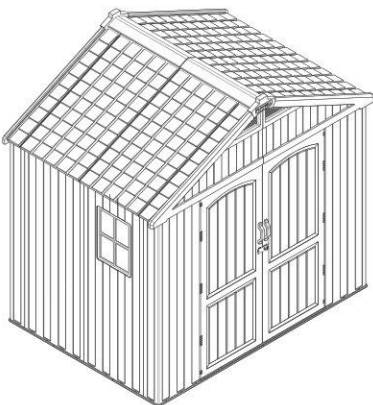
Wall Part Instruction

14-25
(page)



Roof Part Instruction

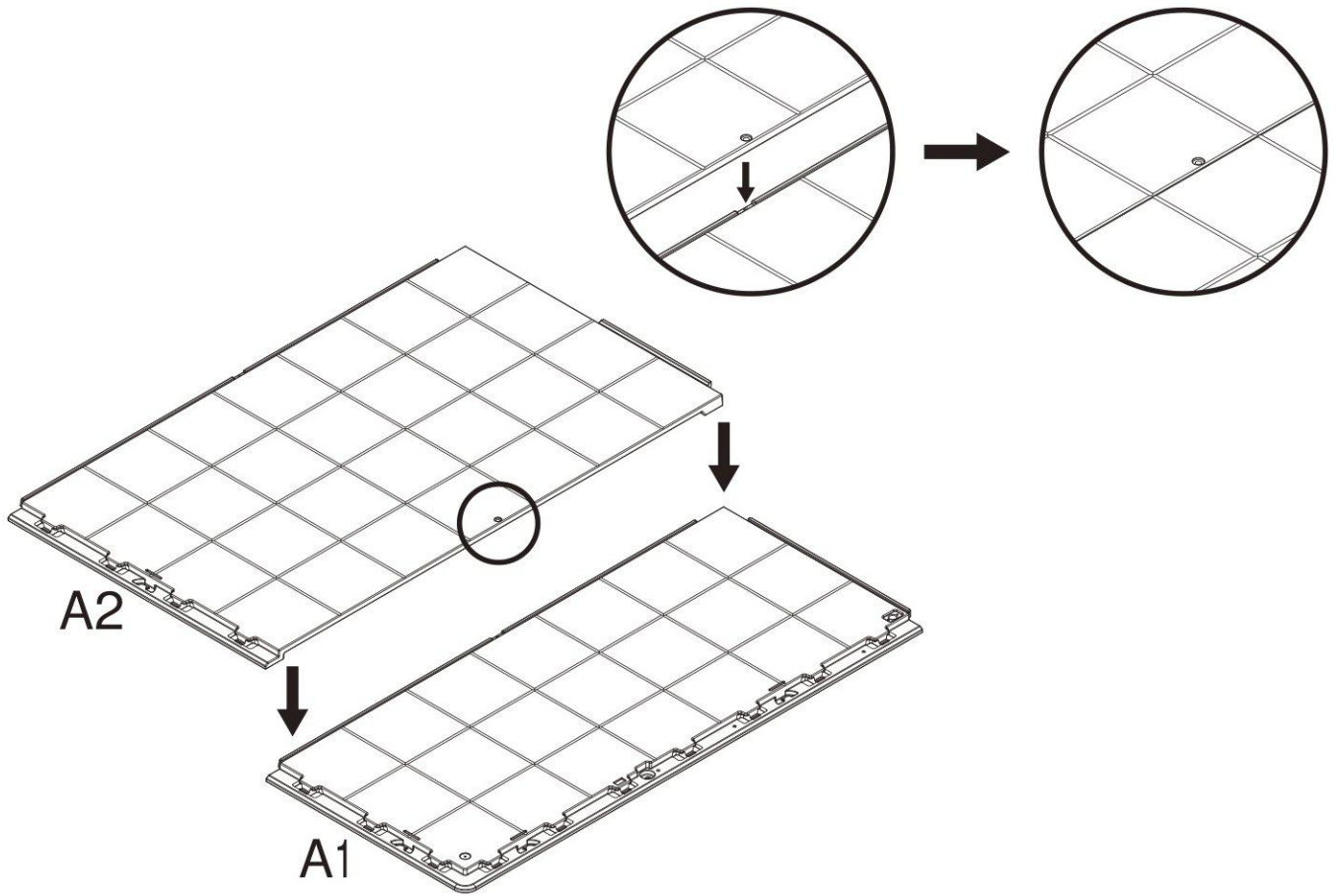
25-34
(page)



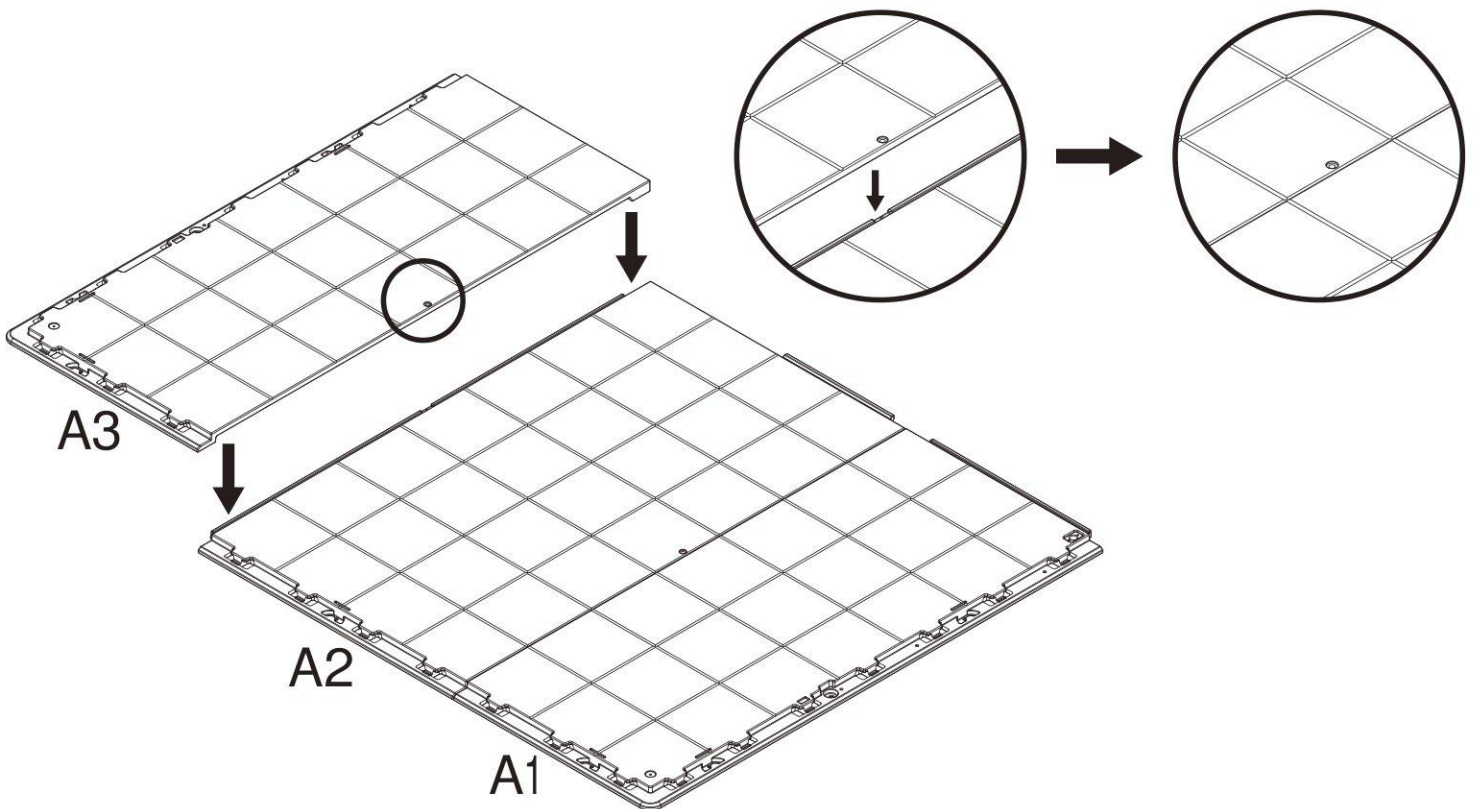
Door Part Instruction

35-39
(page)

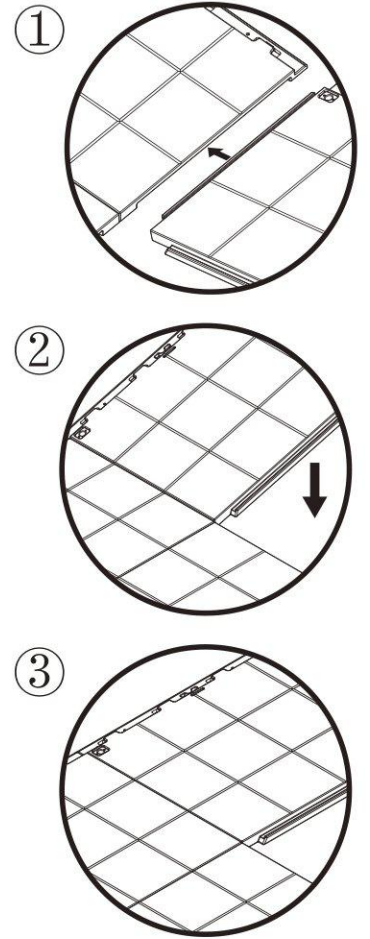
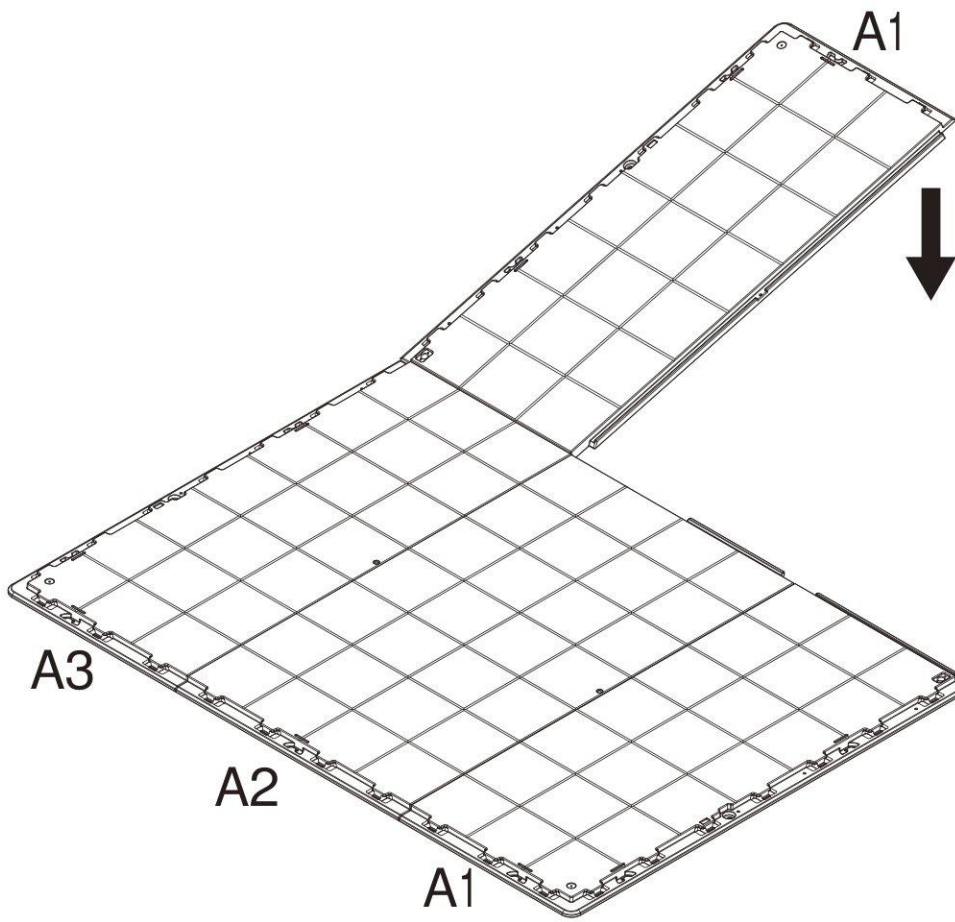
STEP 1



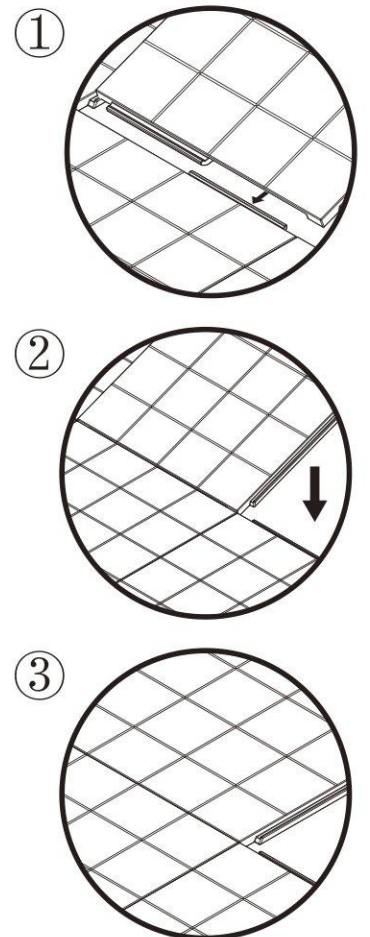
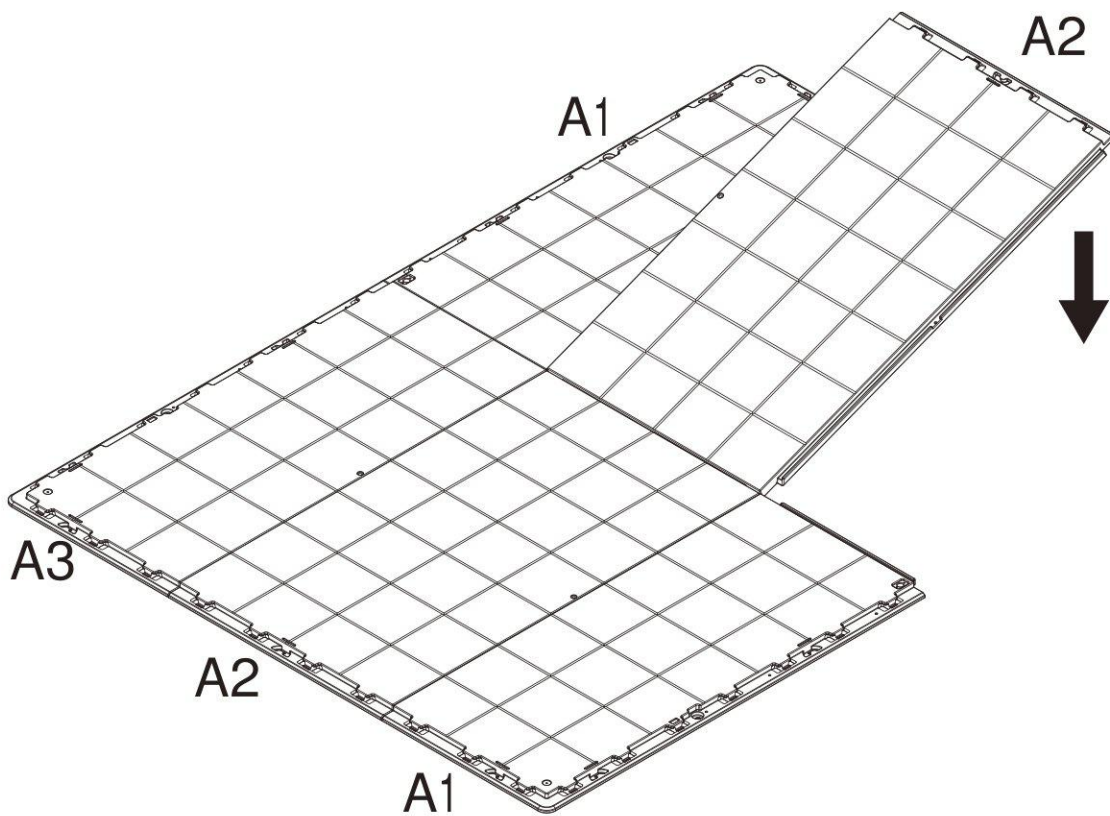
STEP 2



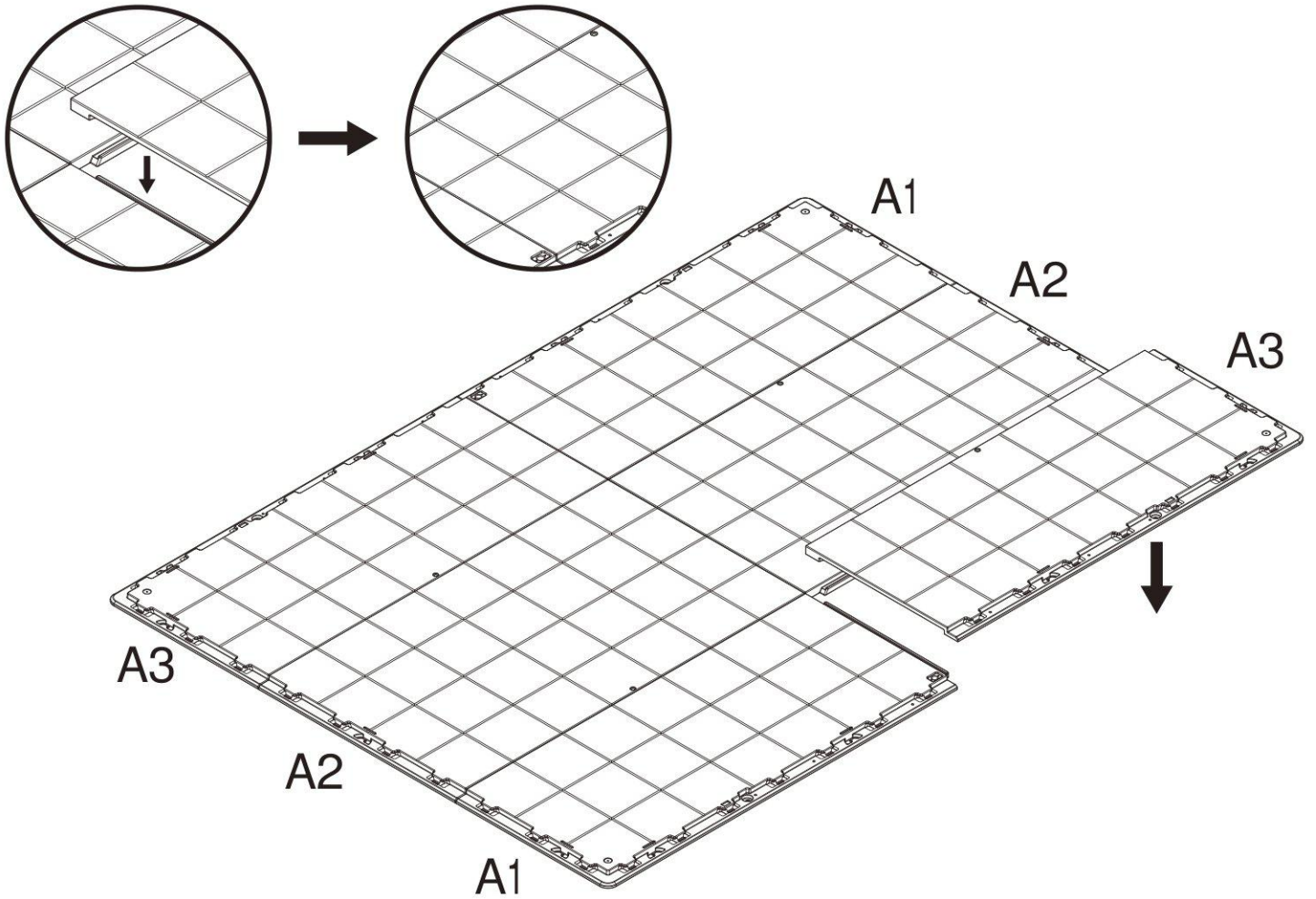
STEP 3



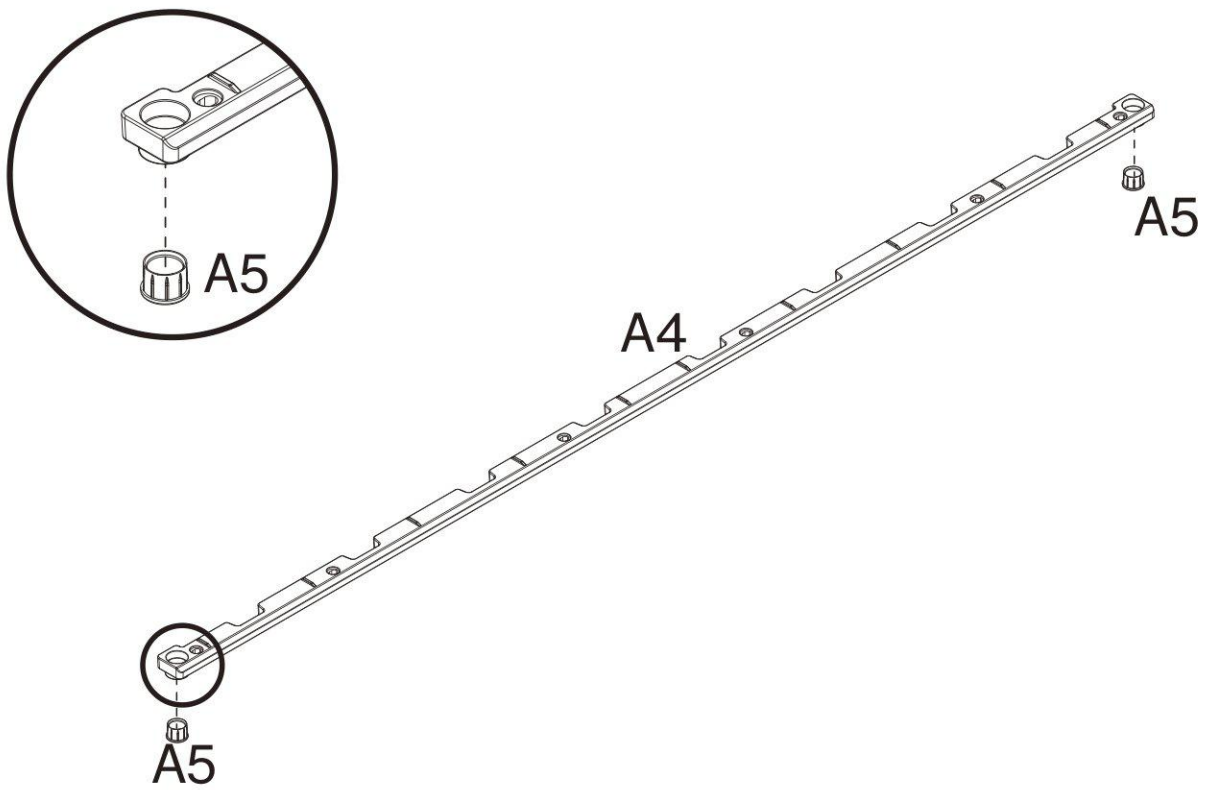
STEP 4



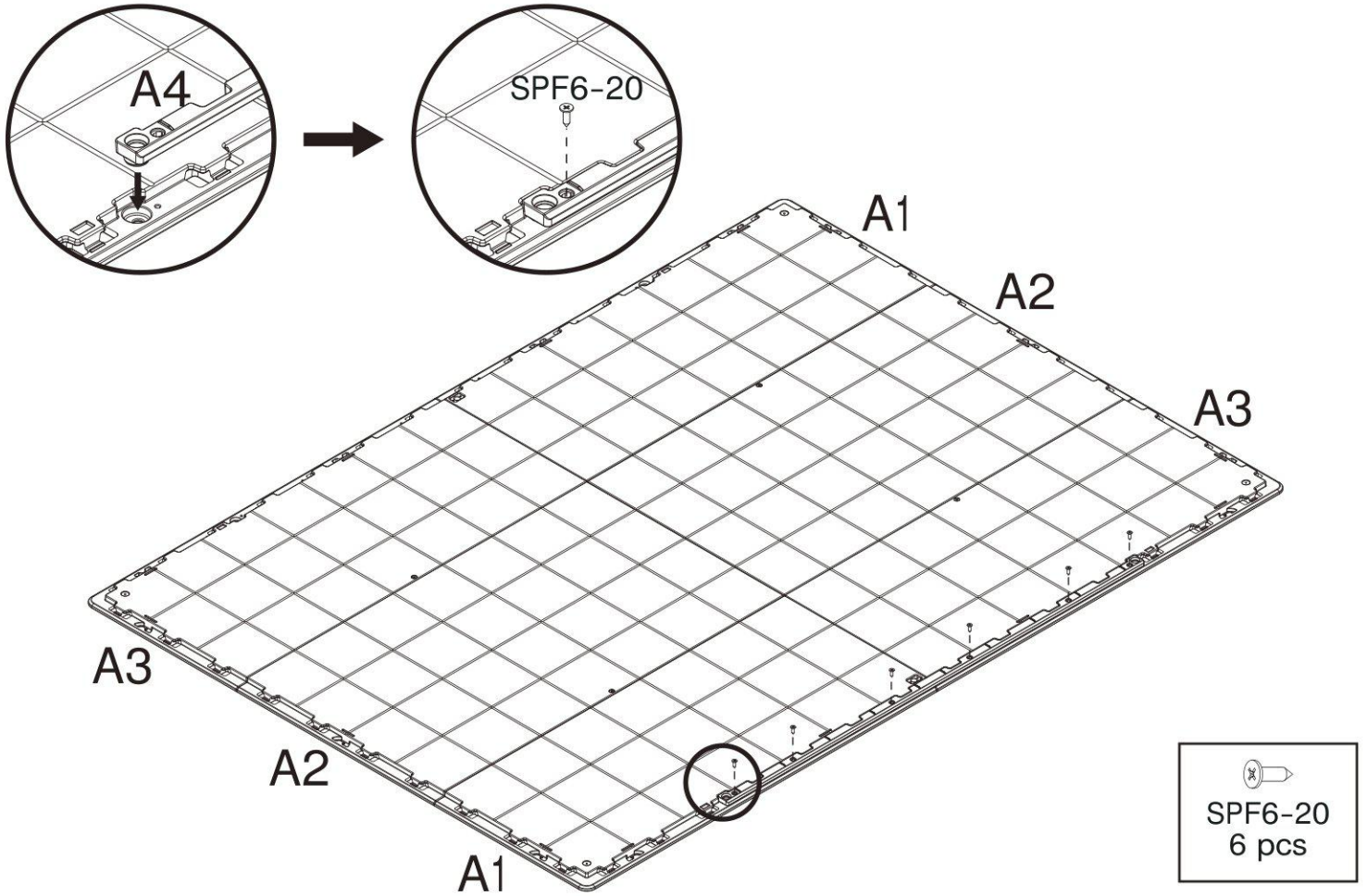
STEP 5



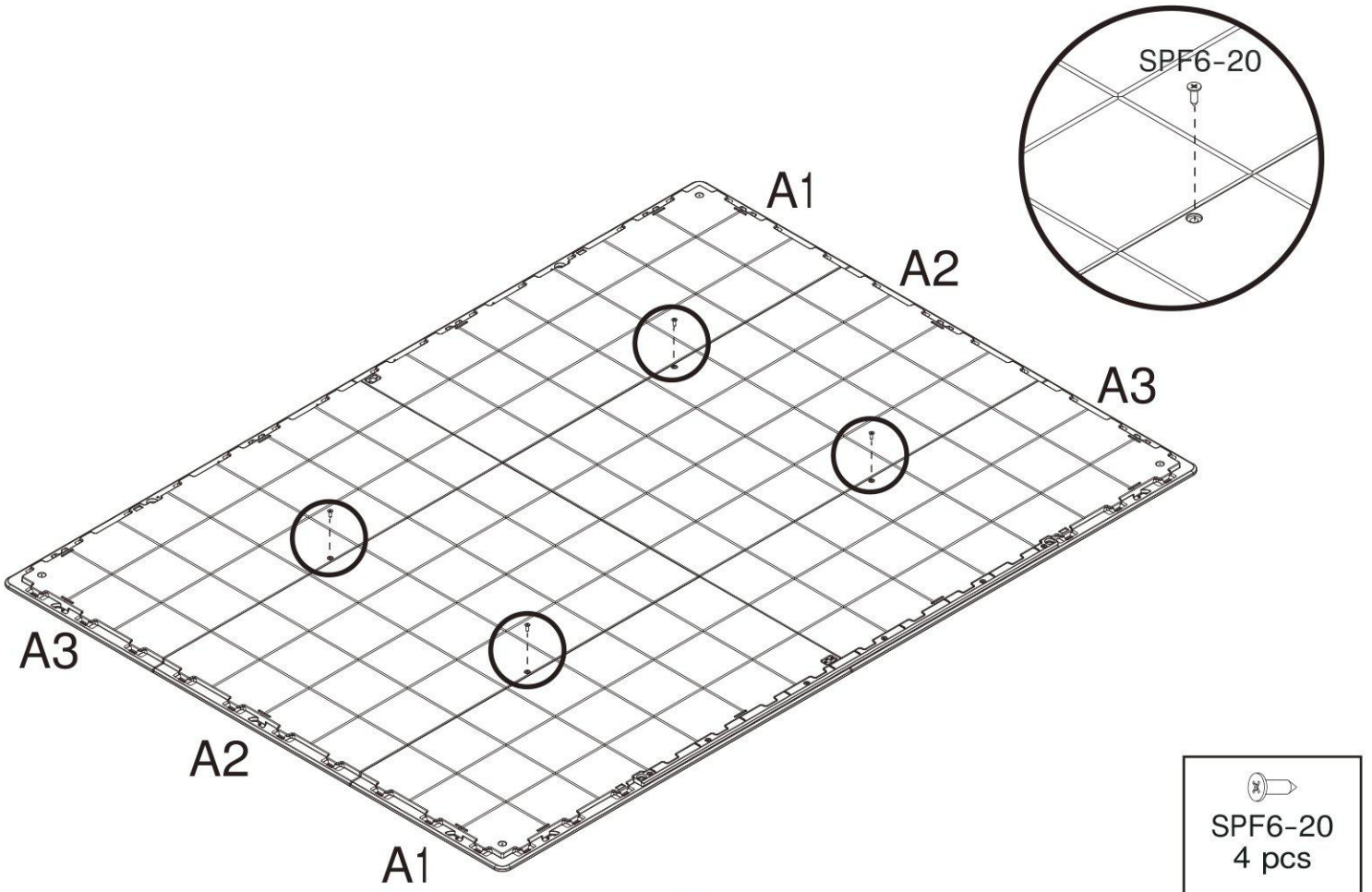
STEP 6



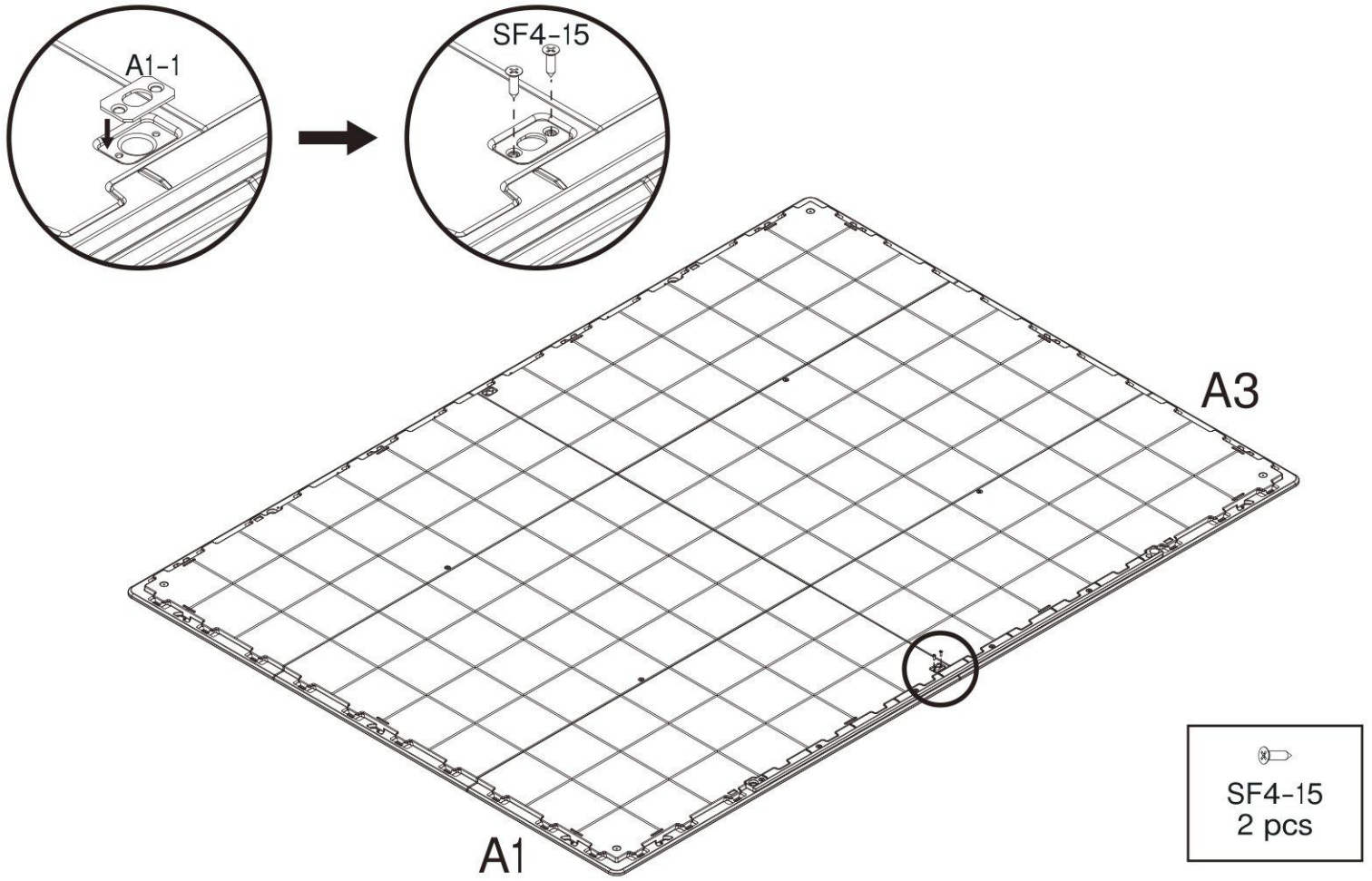
STEP 7



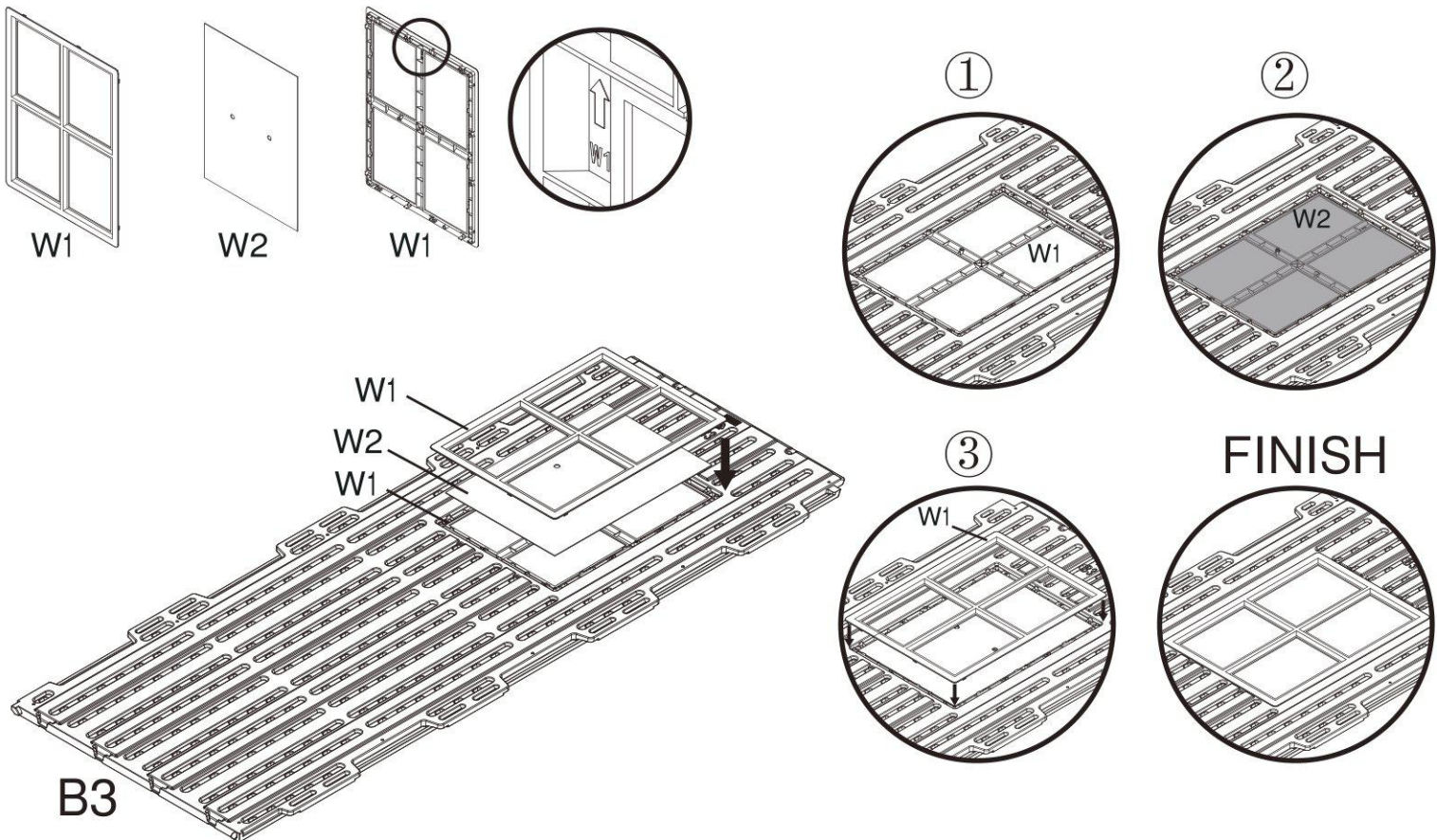
STEP 8



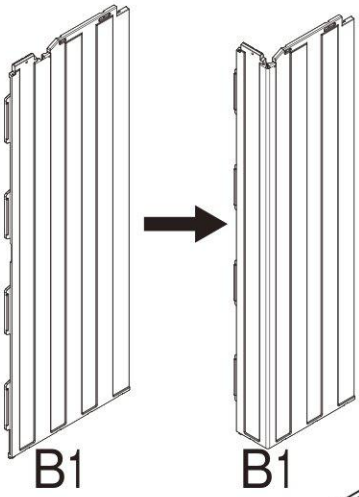
STEP 9



STEP 10

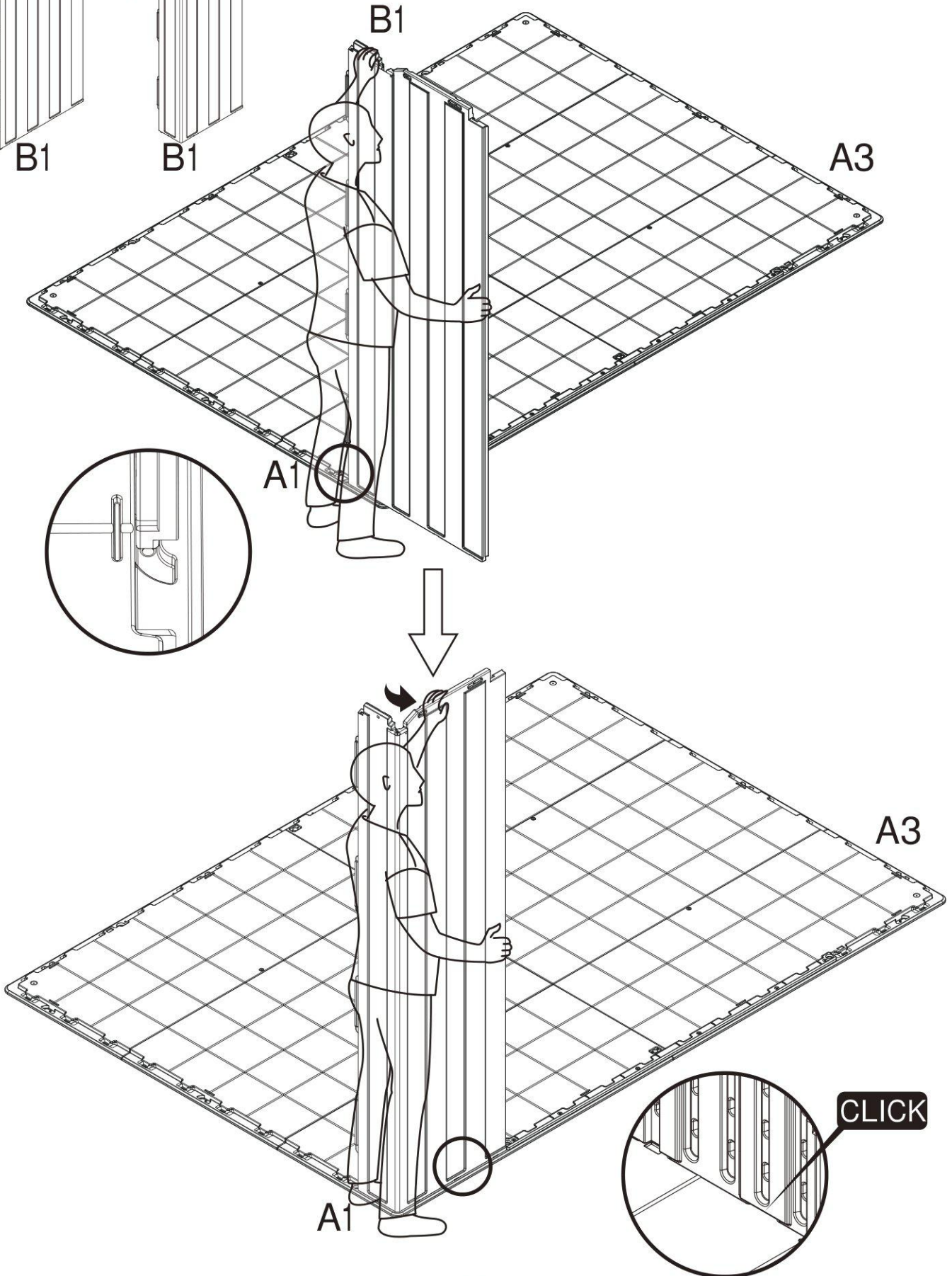


STEP 11

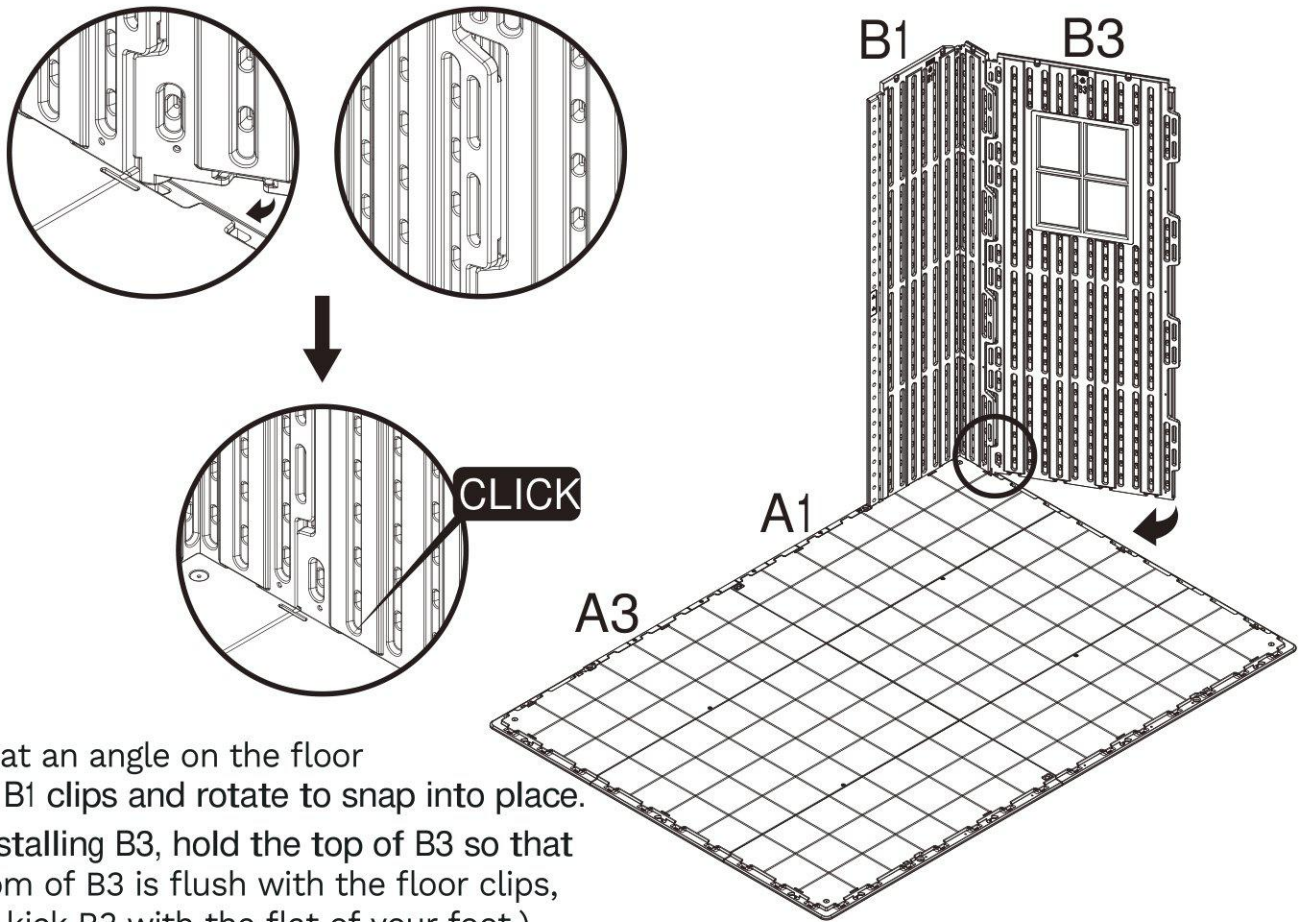


First pre-fold B1, B1 placed in a U-shaped groove on the floor, bend 90 degrees after alignment.

(When installing B1, press on the top of B1 so that the clips below B1 are flush with the floor clips. You can use your foot to kick B1 flat.)



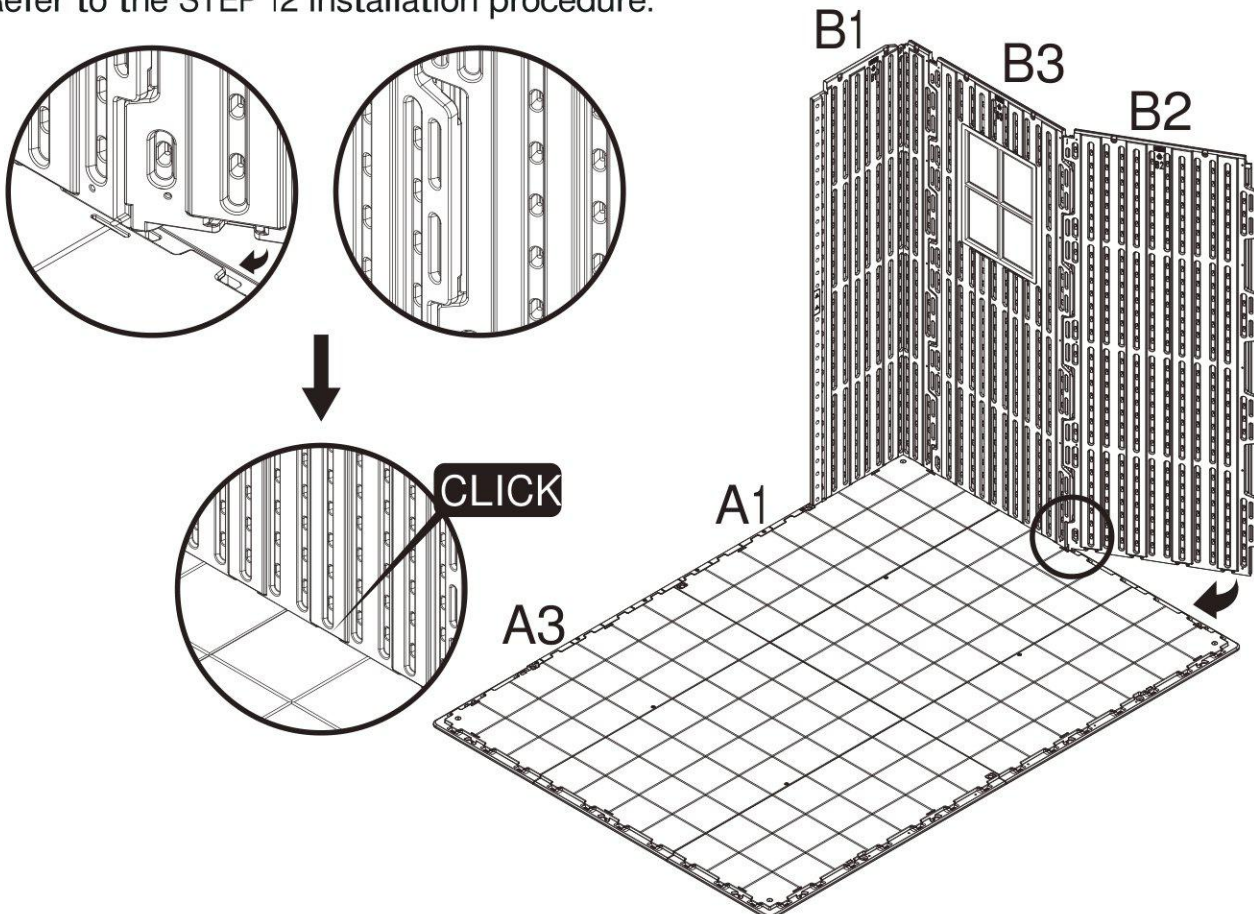
STEP 12



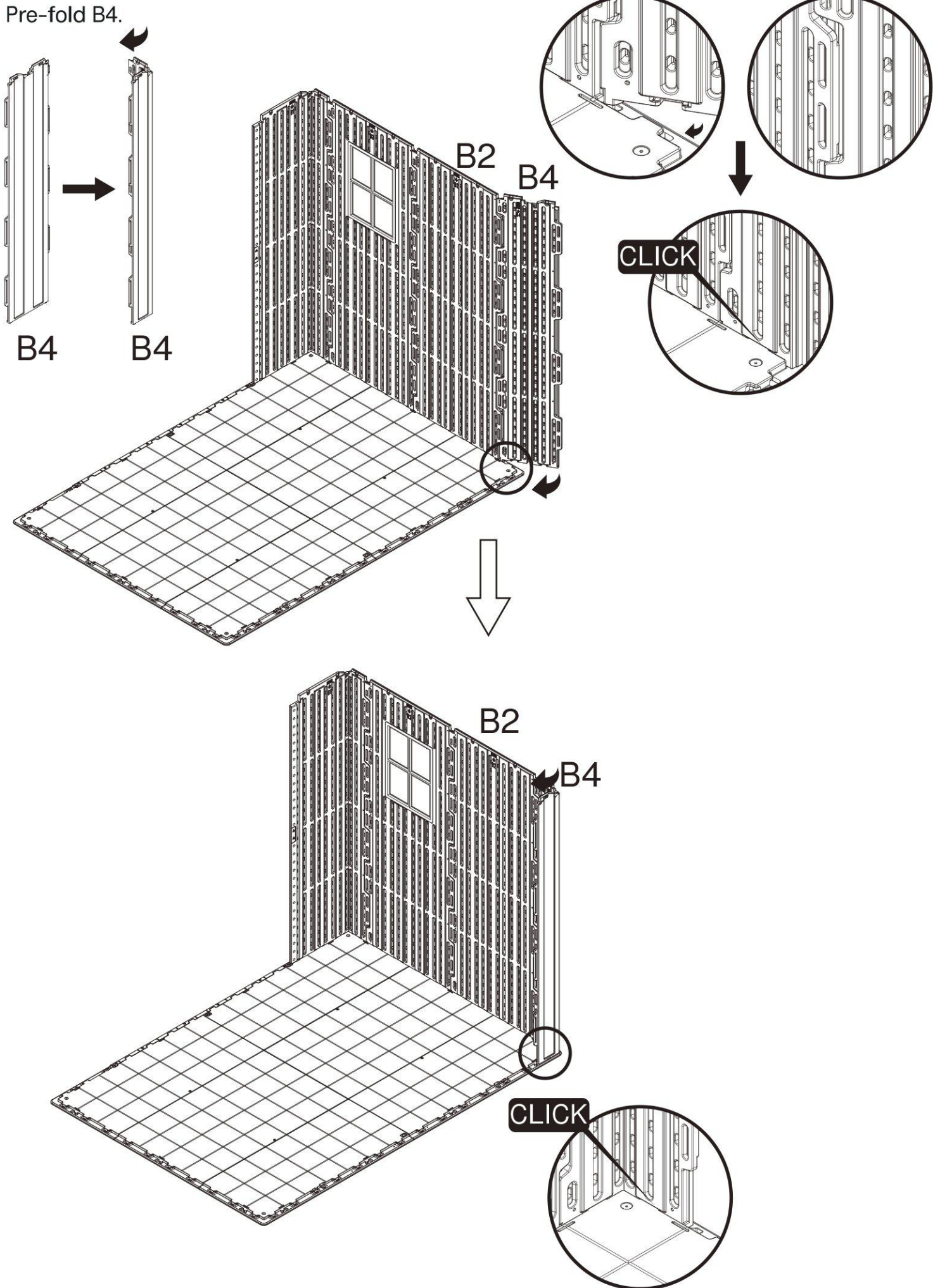
Place B3 at an angle on the floor
Align the B1 clips and rotate to snap into place.
(When installing B3, hold the top of B3 so that
the bottom of B3 is flush with the floor clips,
and then kick B3 with the flat of your foot.)

STEP 13

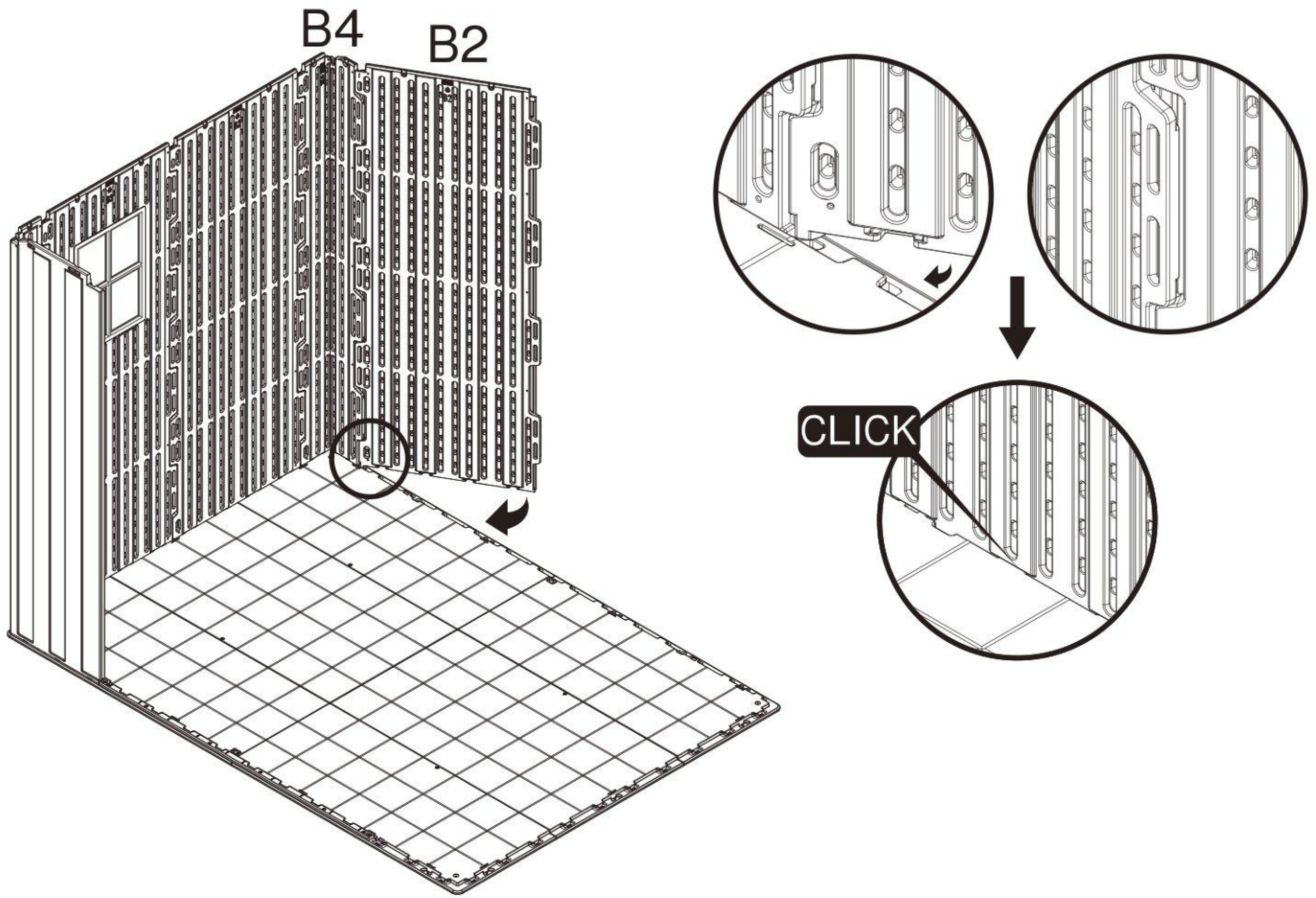
Refer to the STEP 12 installation procedure.



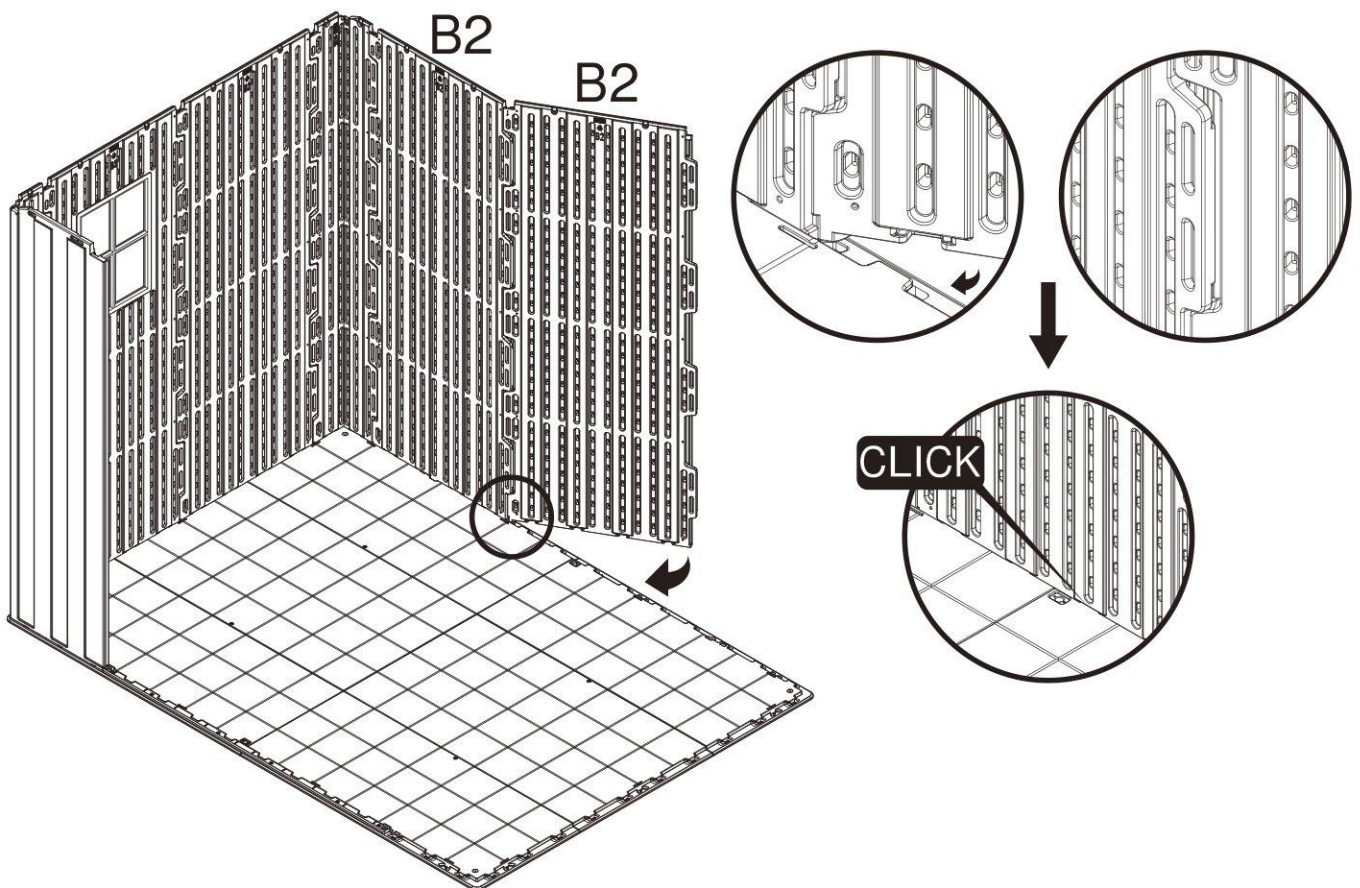
STEP 14



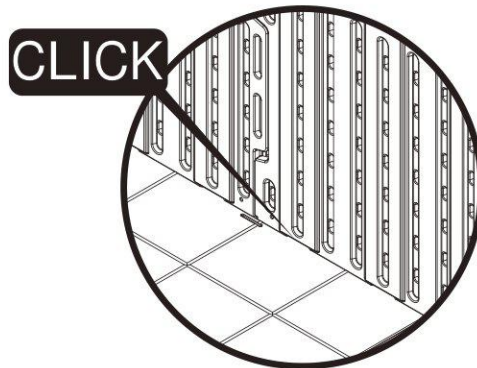
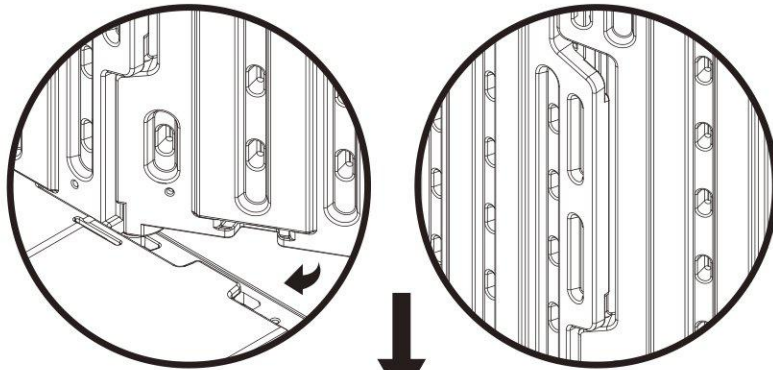
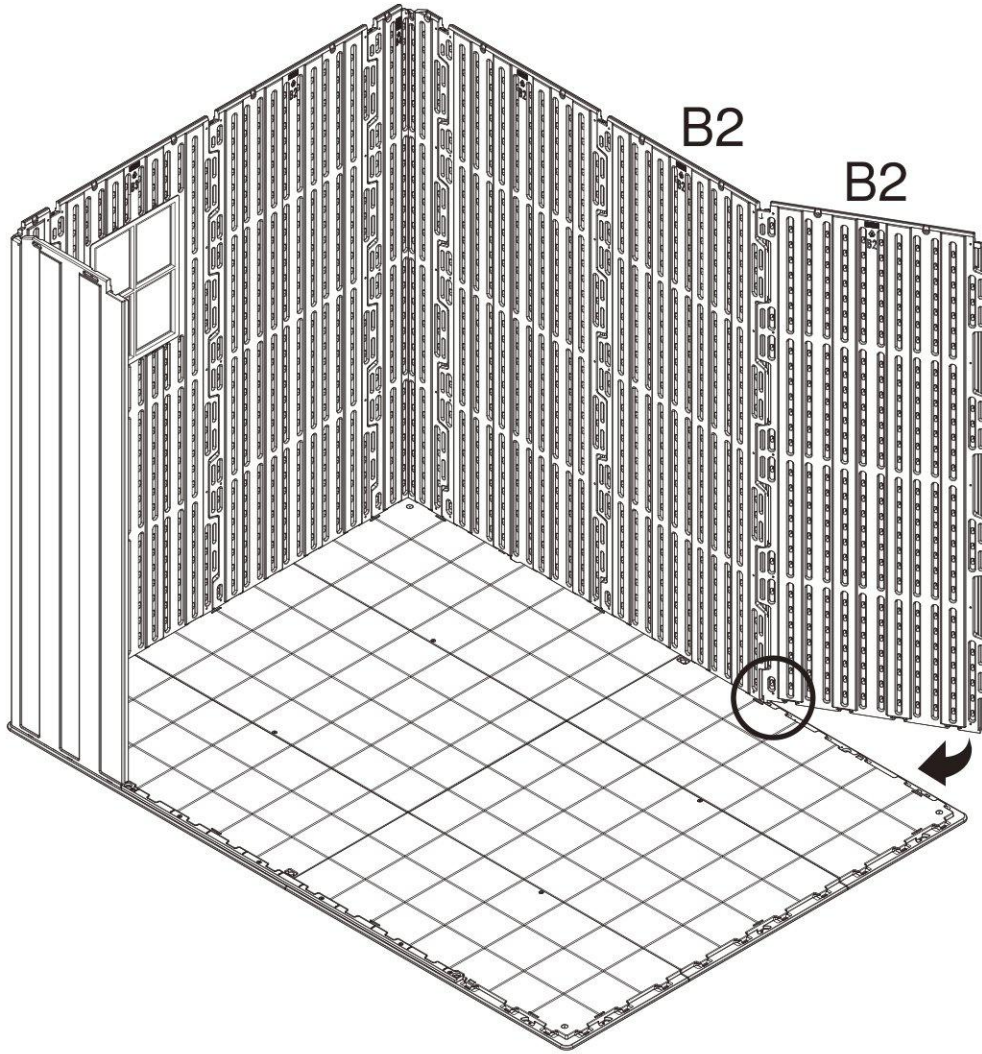
STEP 15



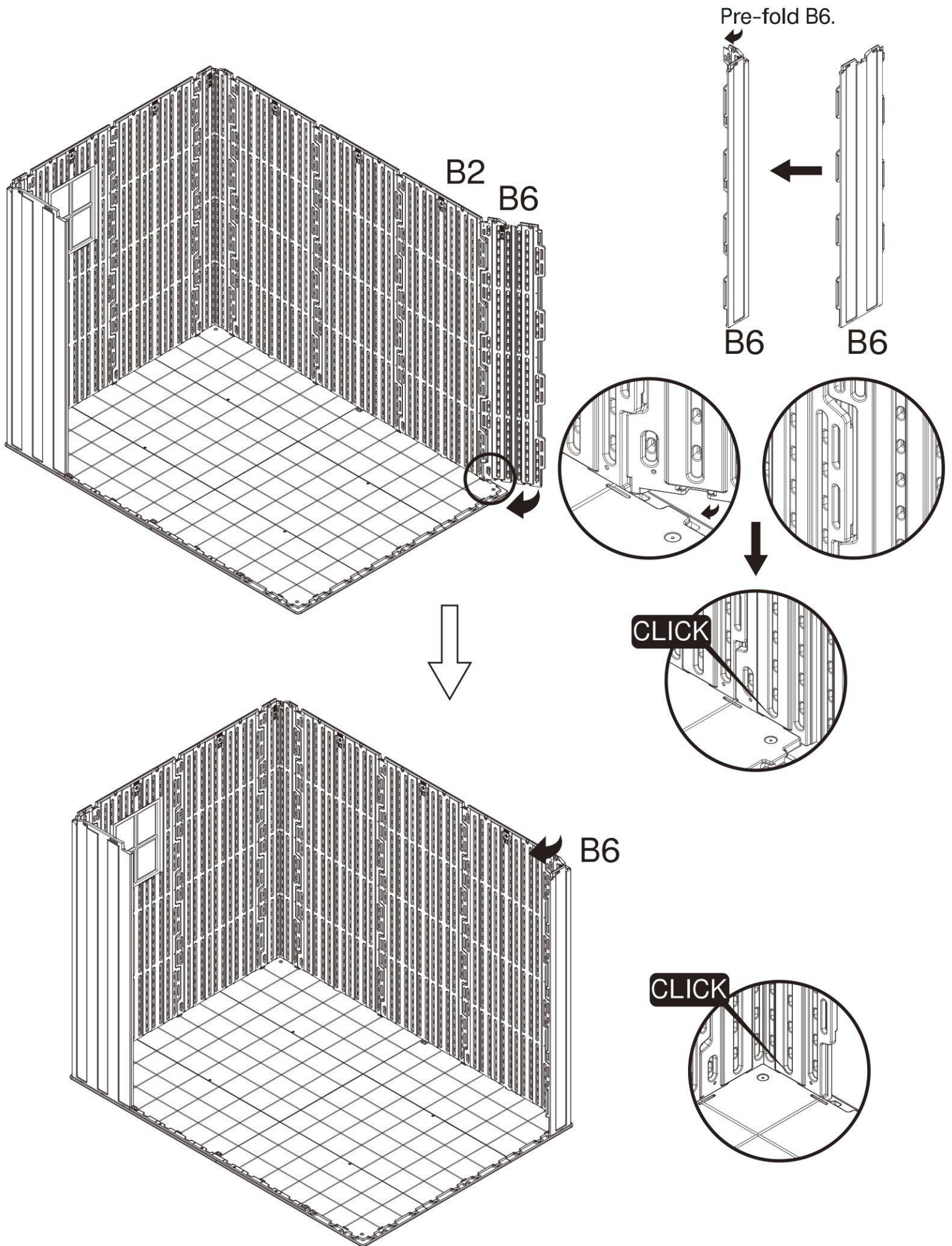
STEP 16



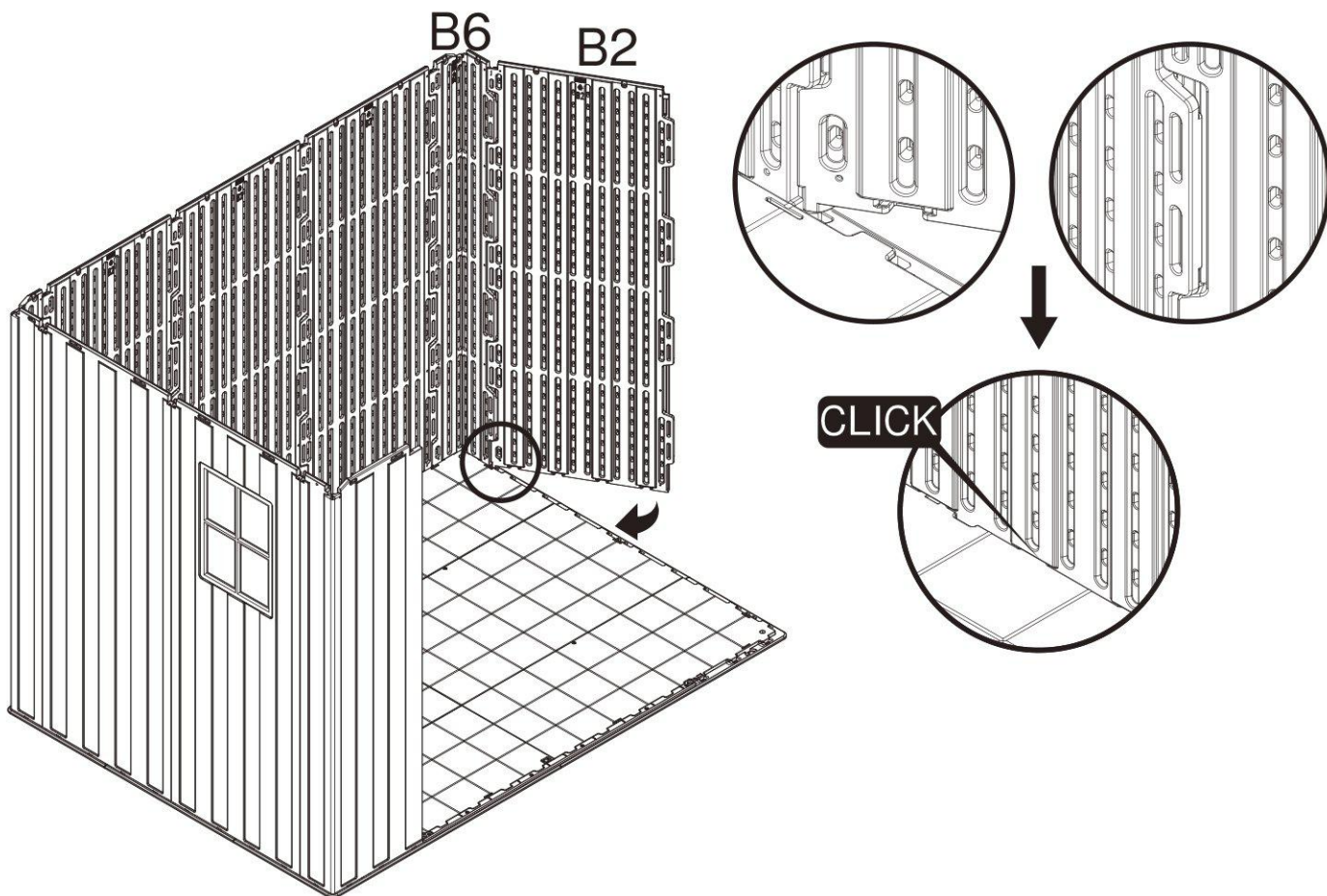
STEP 17



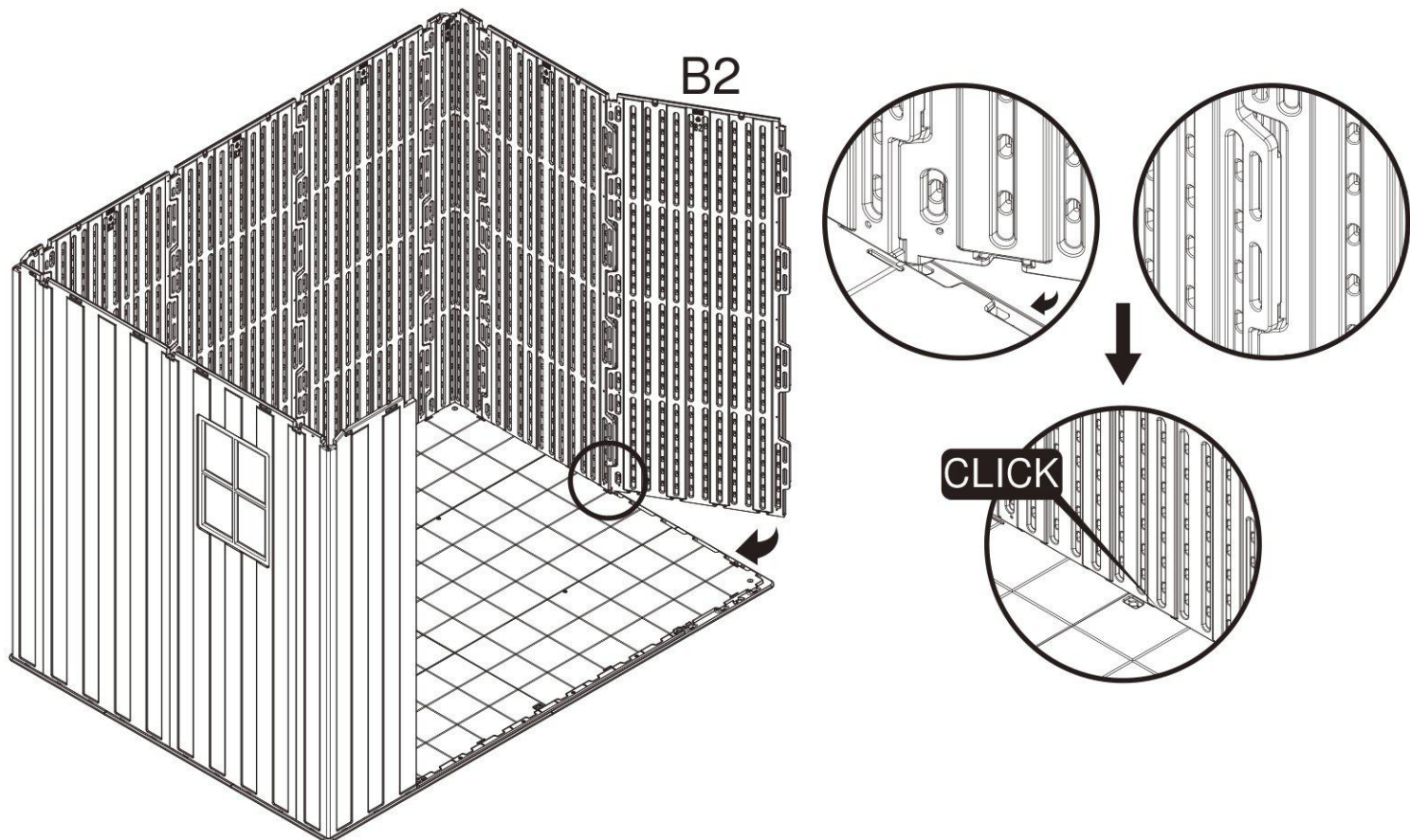
STEP 18



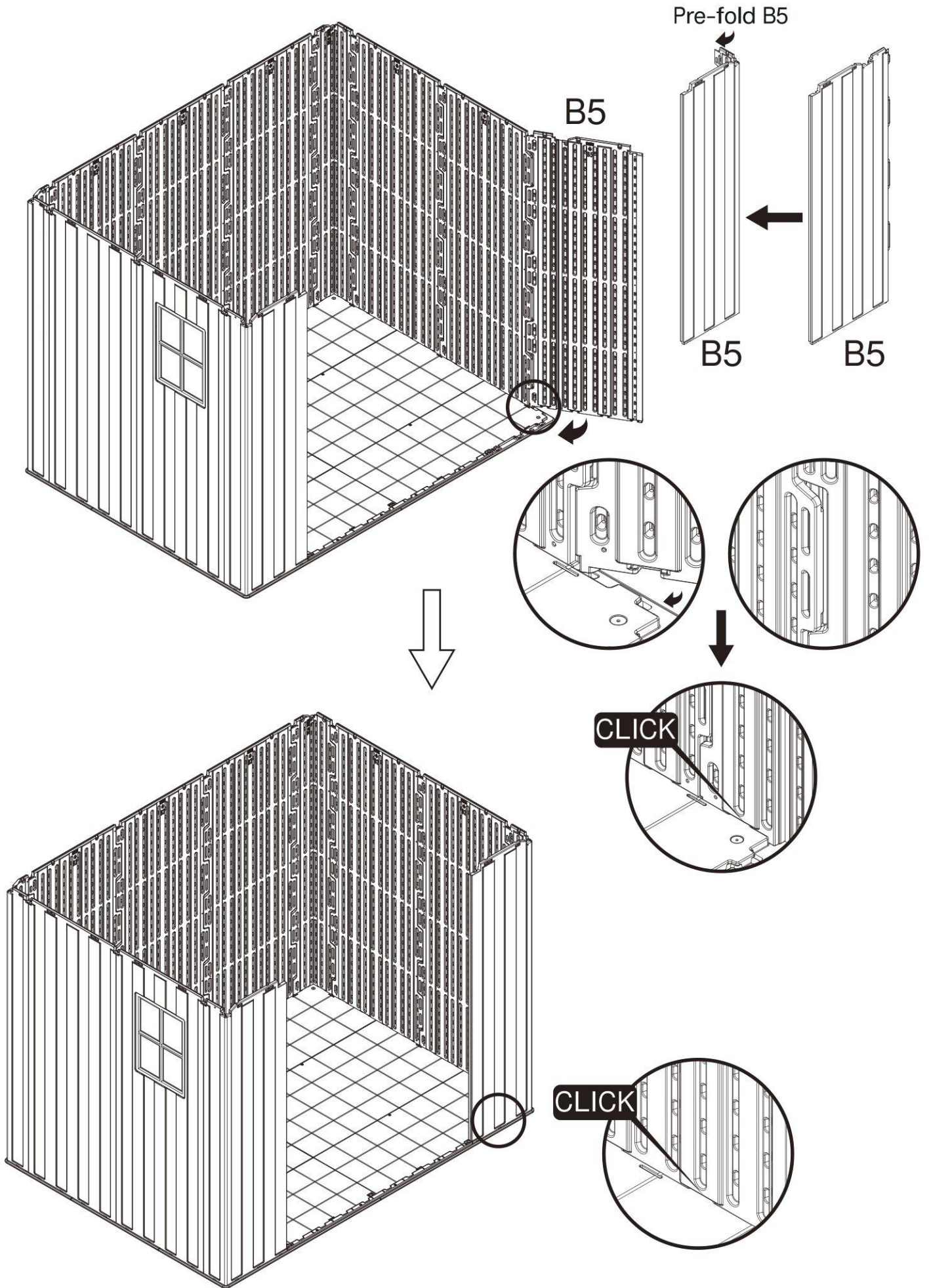
STEP 19



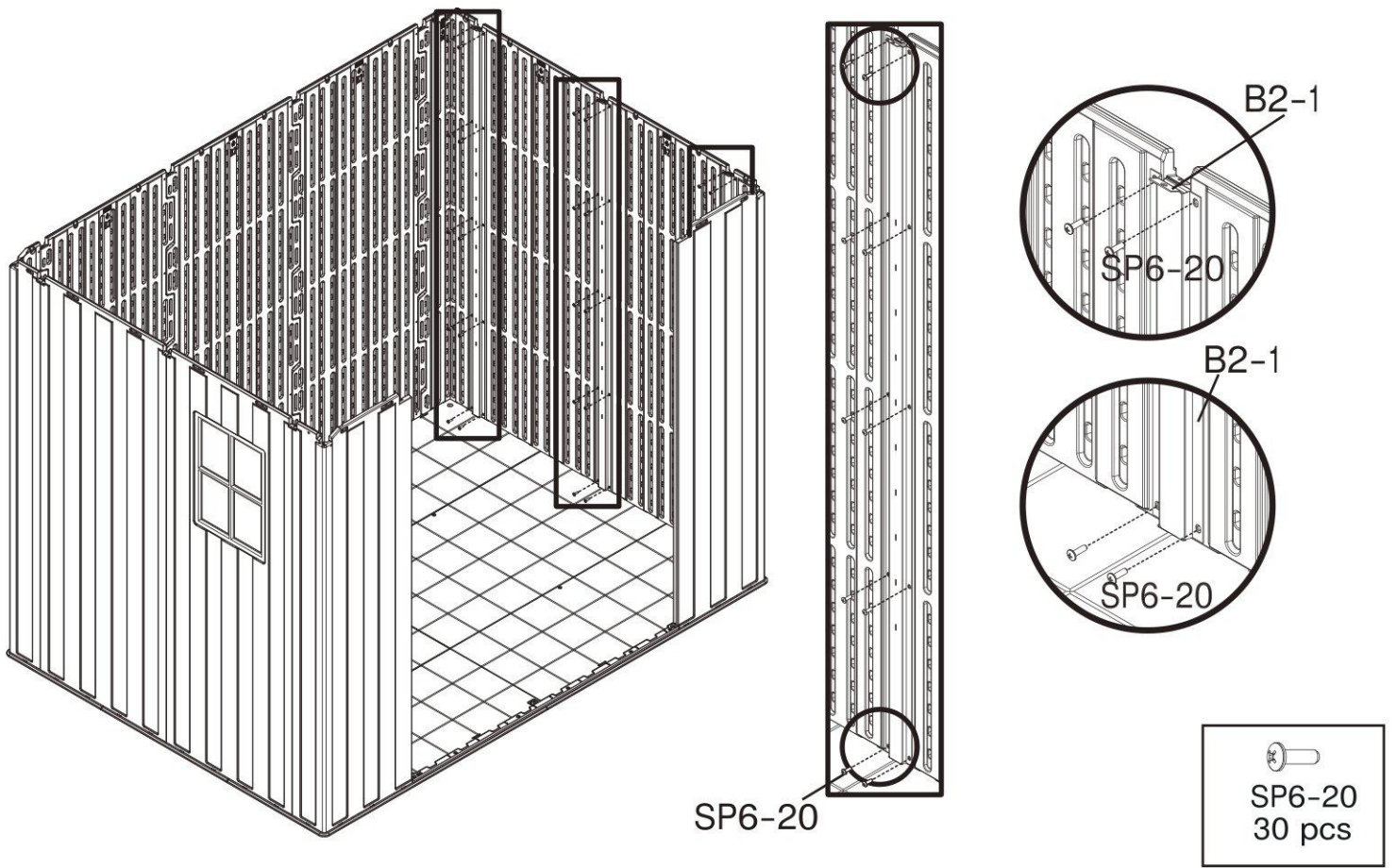
STEP 20



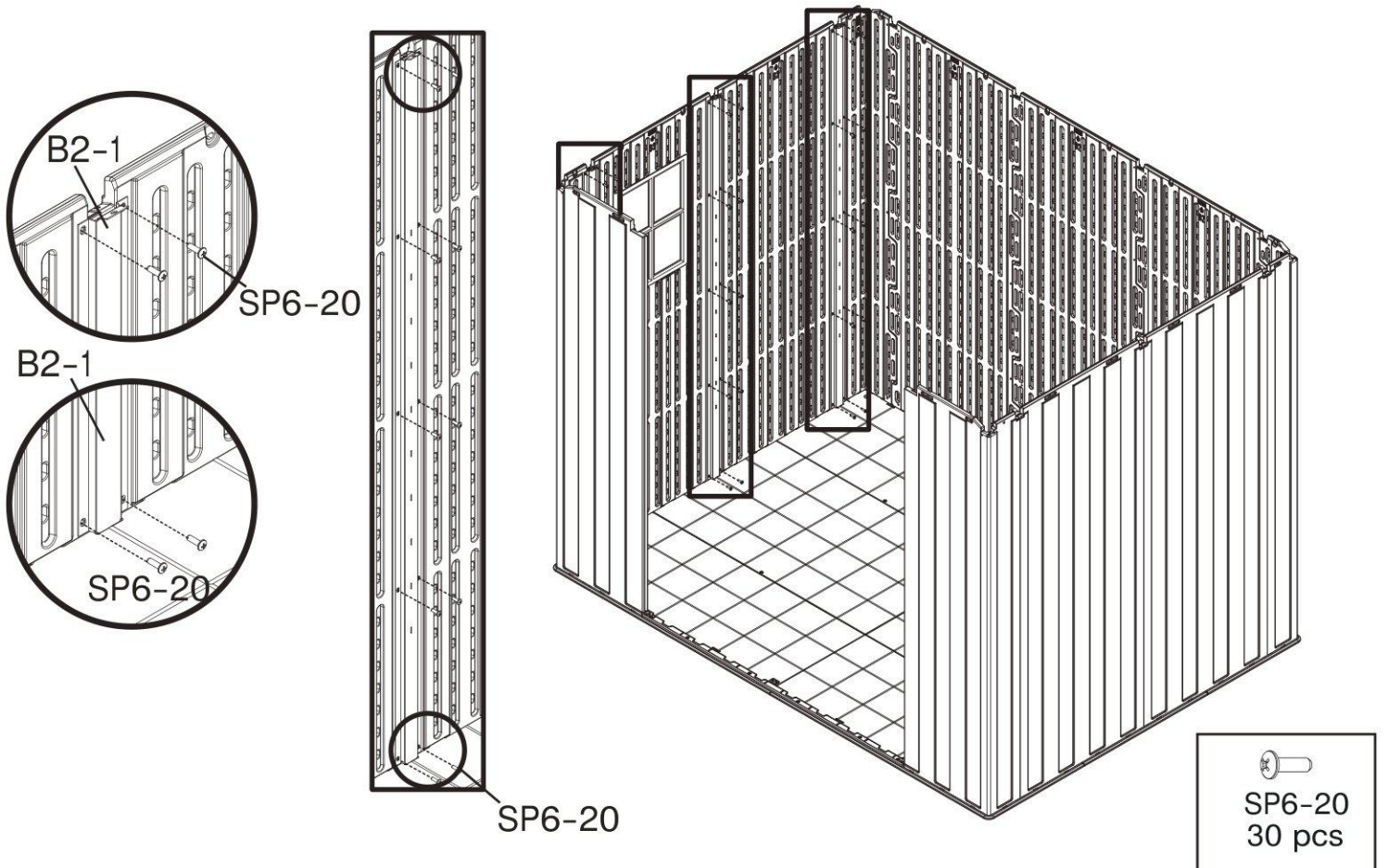
STEP 21



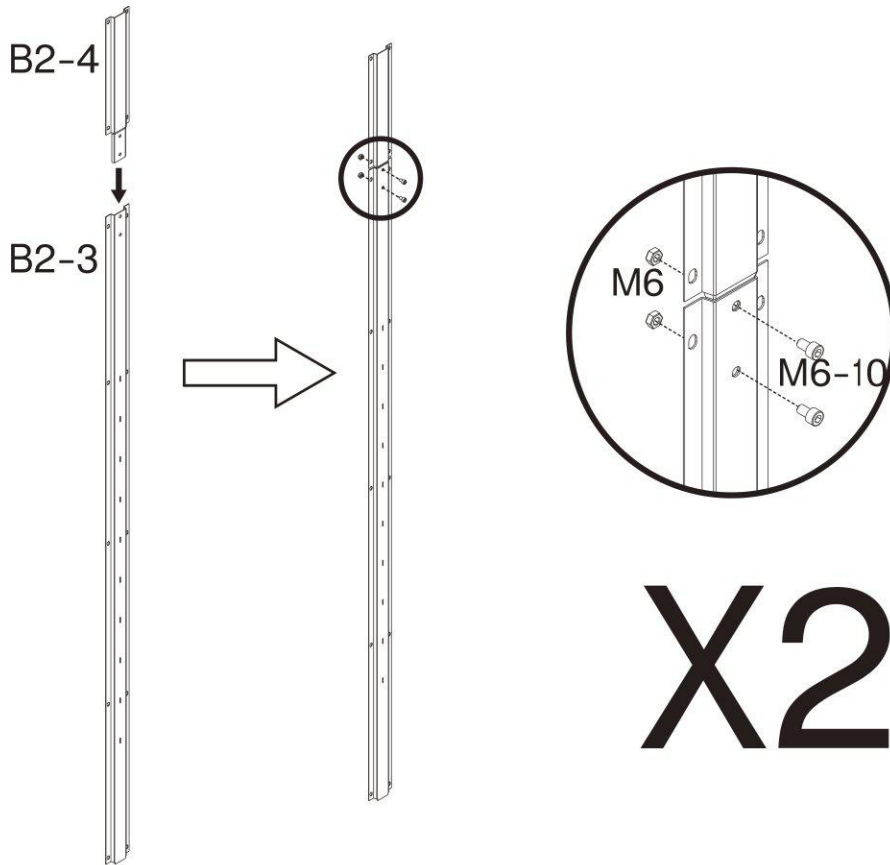
STEP 22





STEP 23

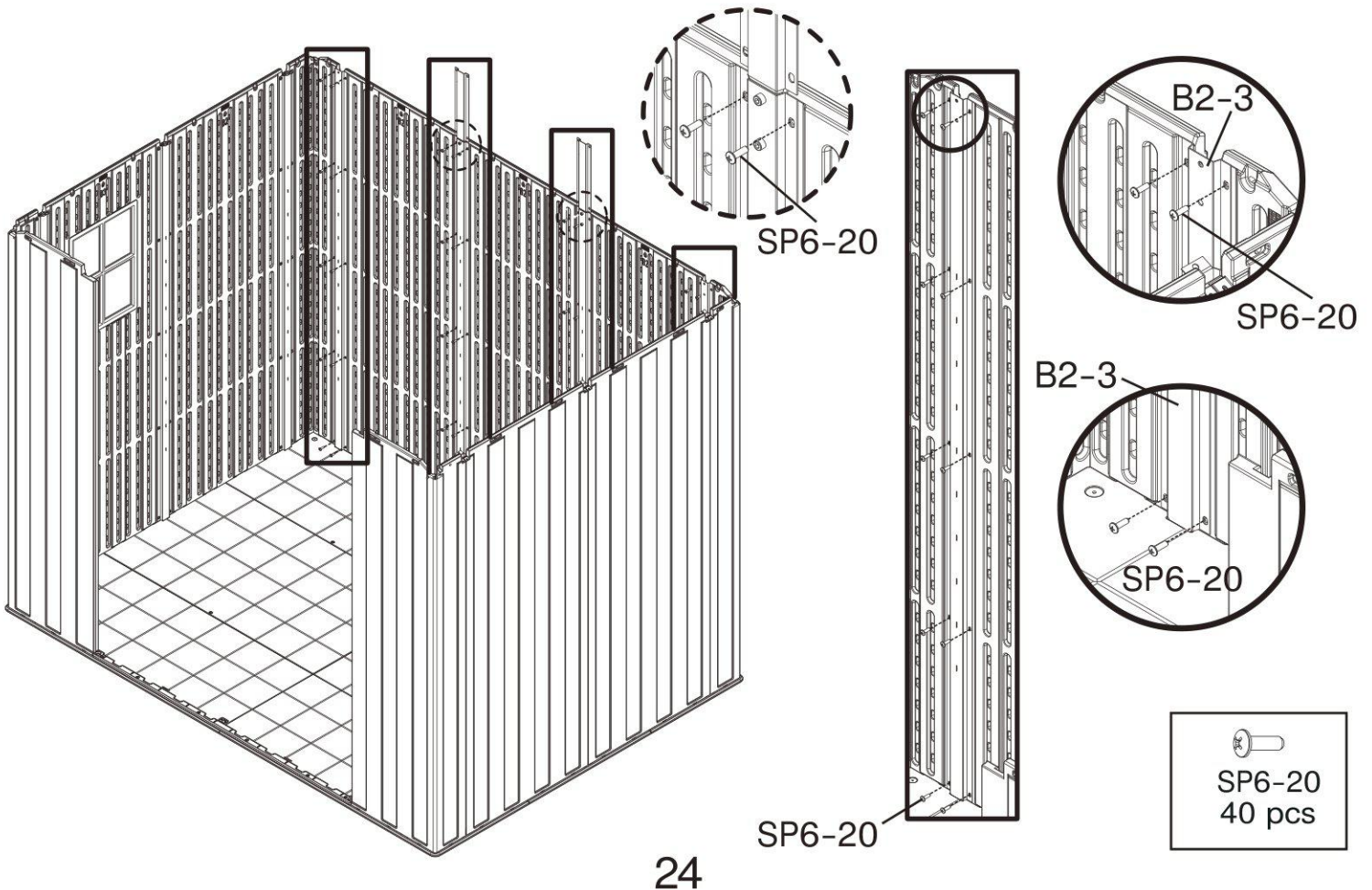



STEP 24



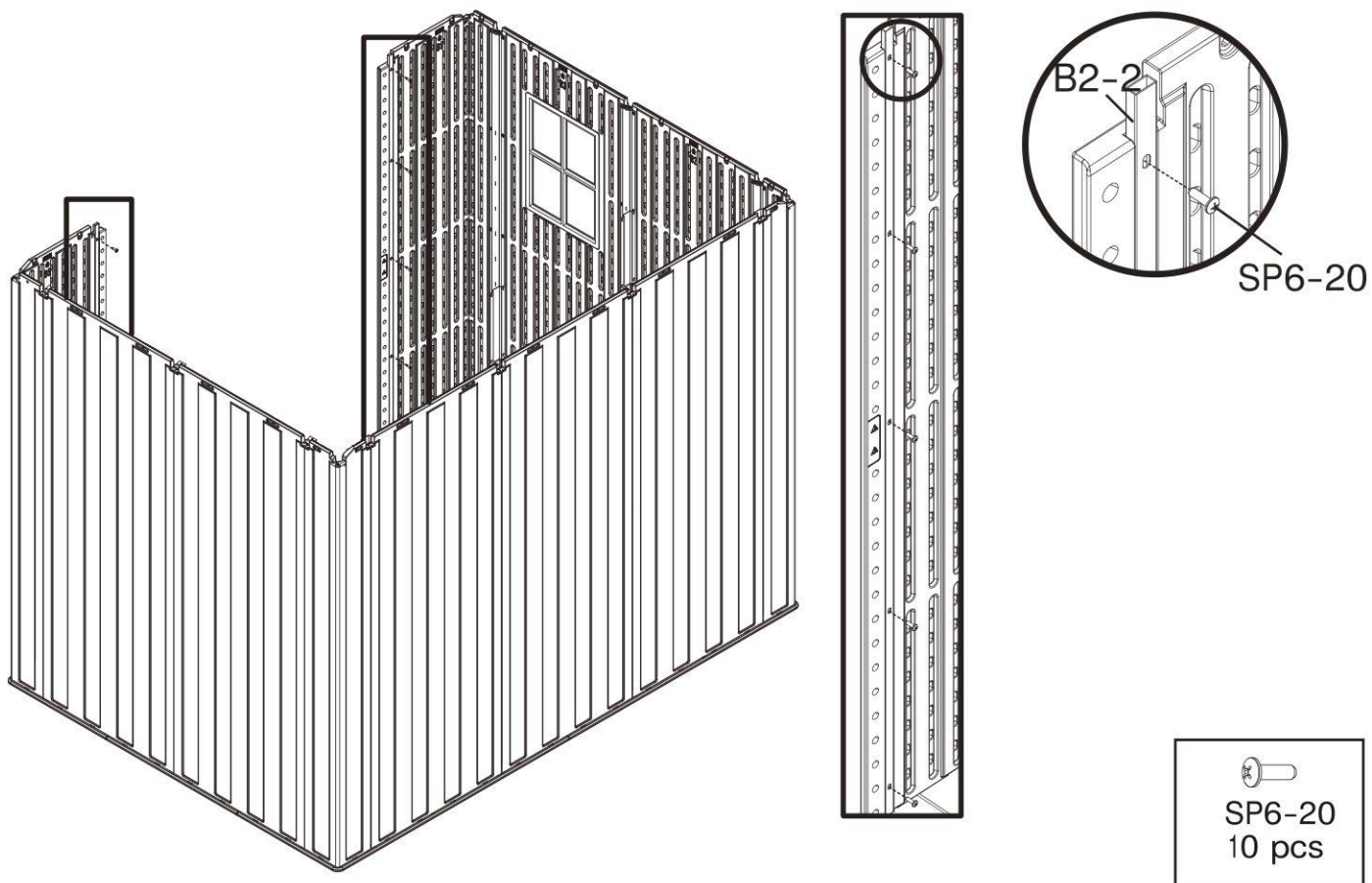
	
M6-10 4 pcs	M6 4 pcs

STEP 25

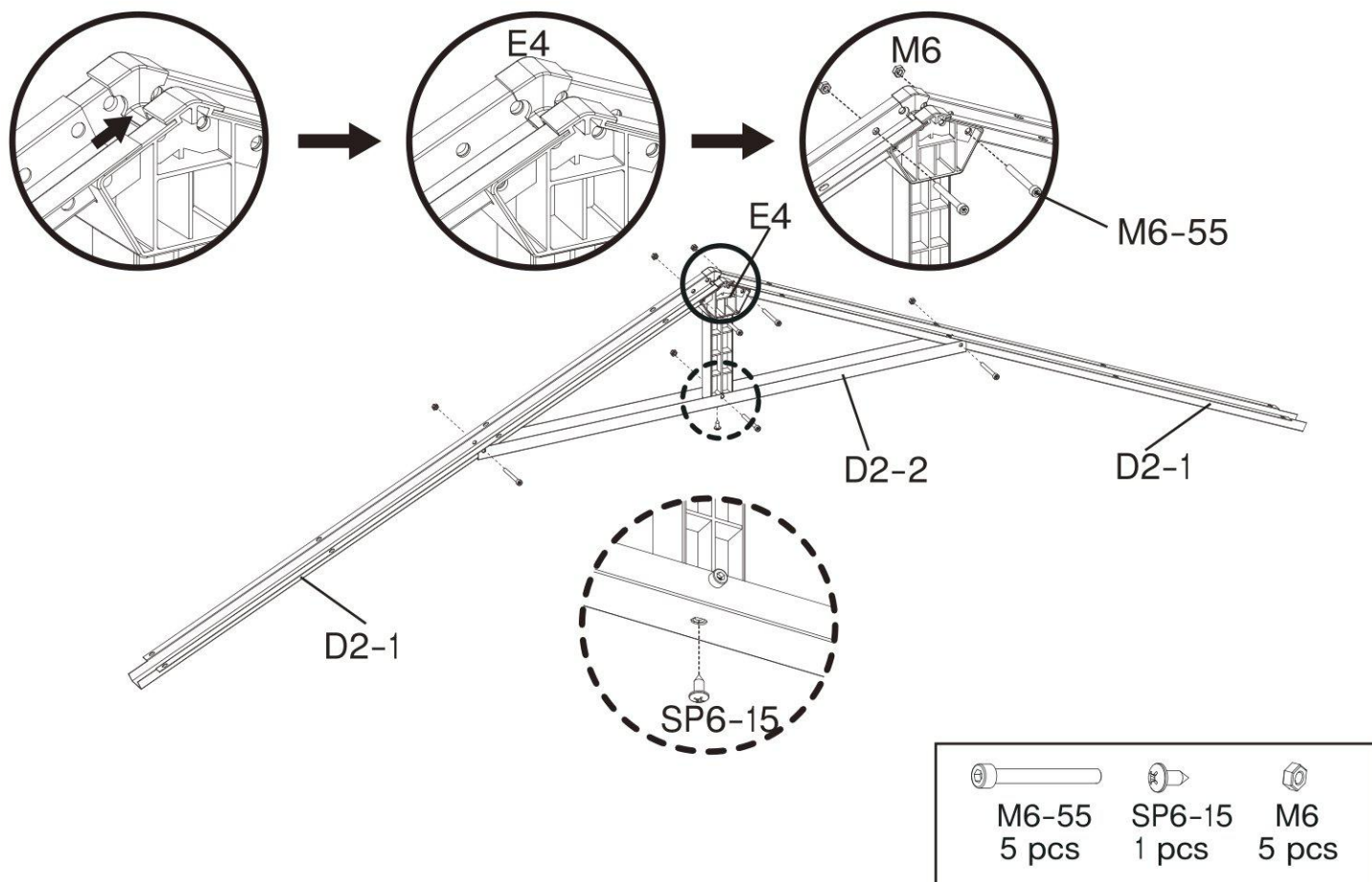



SP6-20 40 pcs

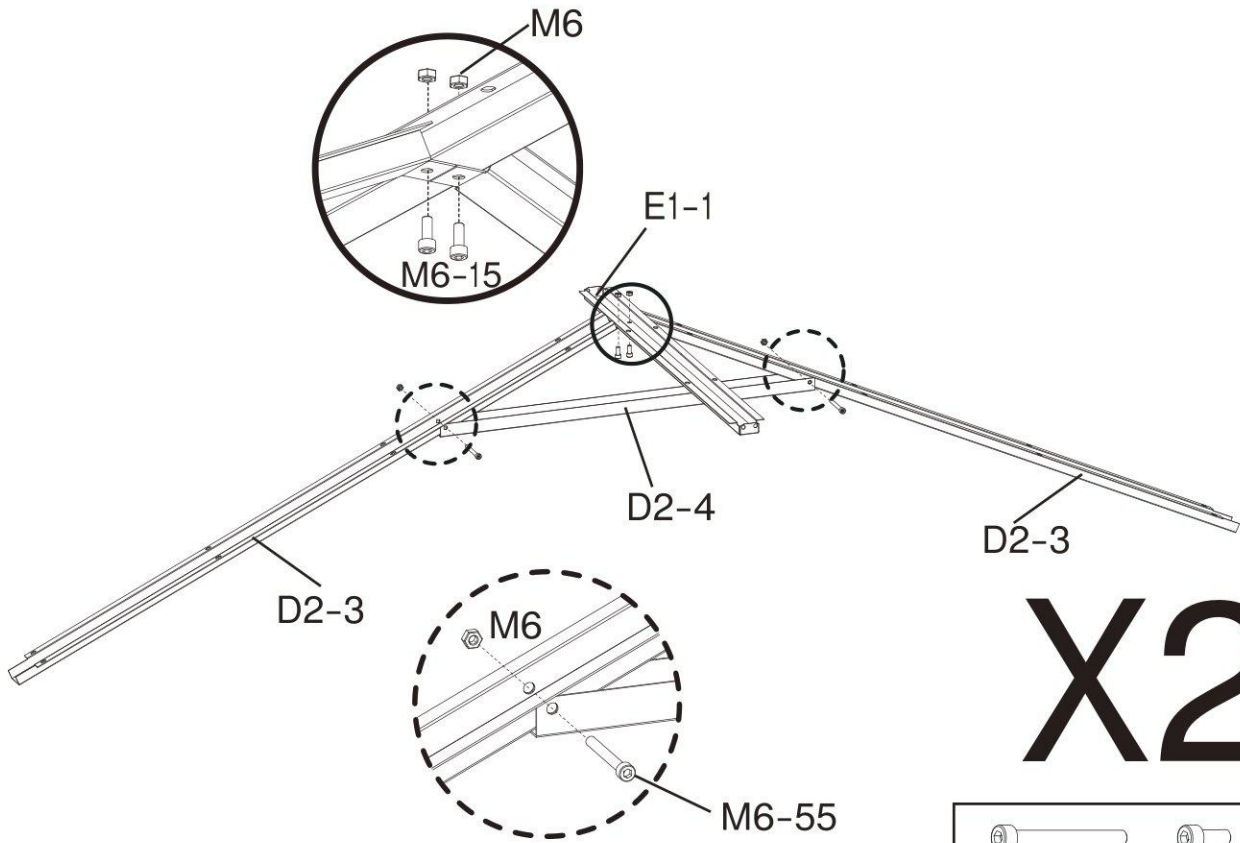
STEP 26


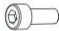



STEP 27

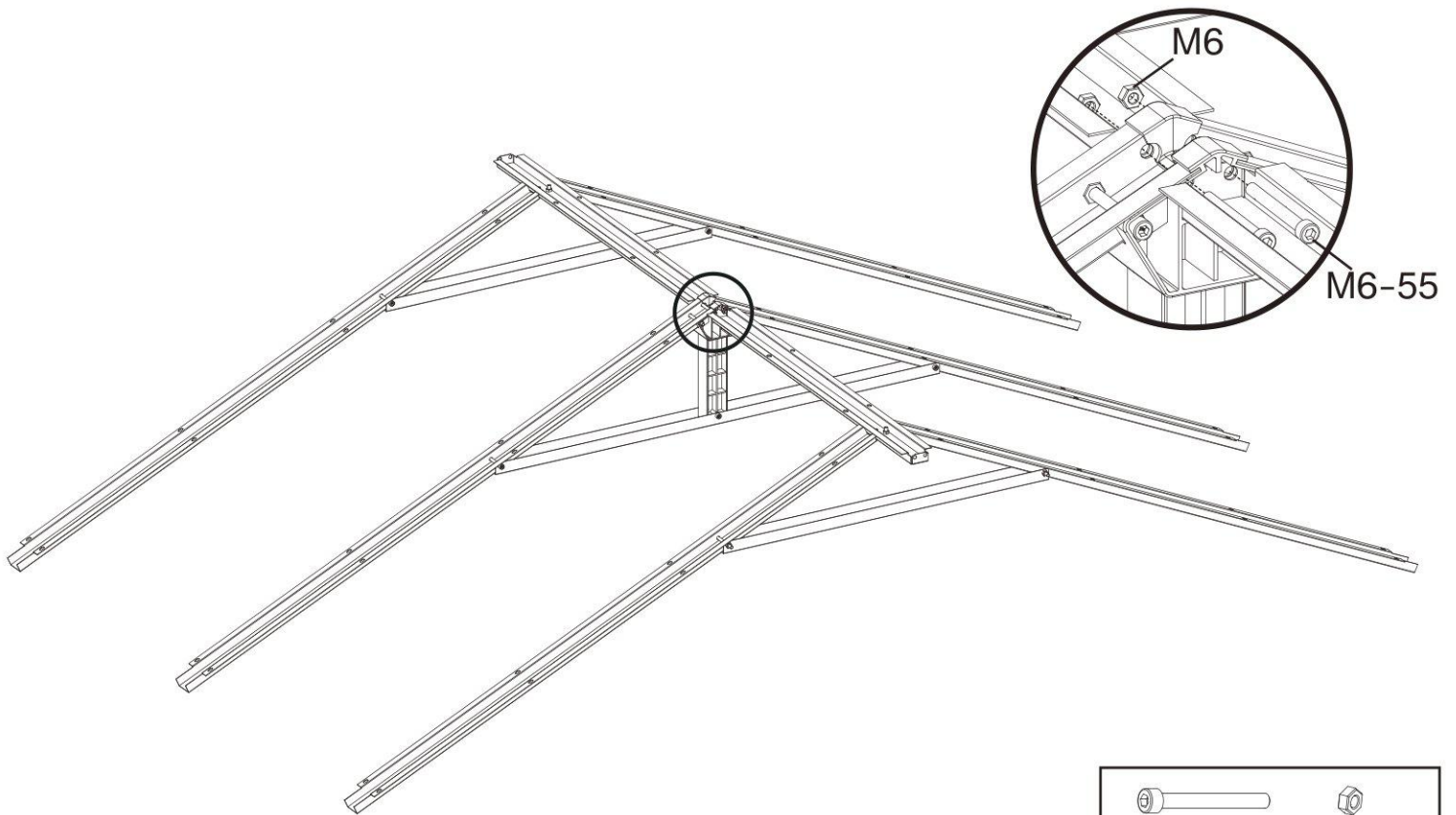




STEP 28



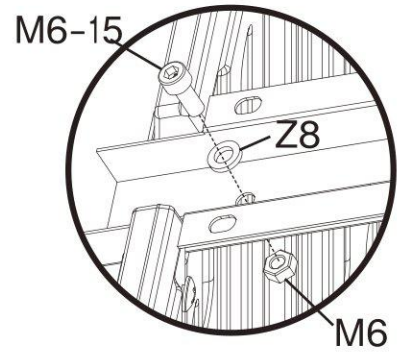
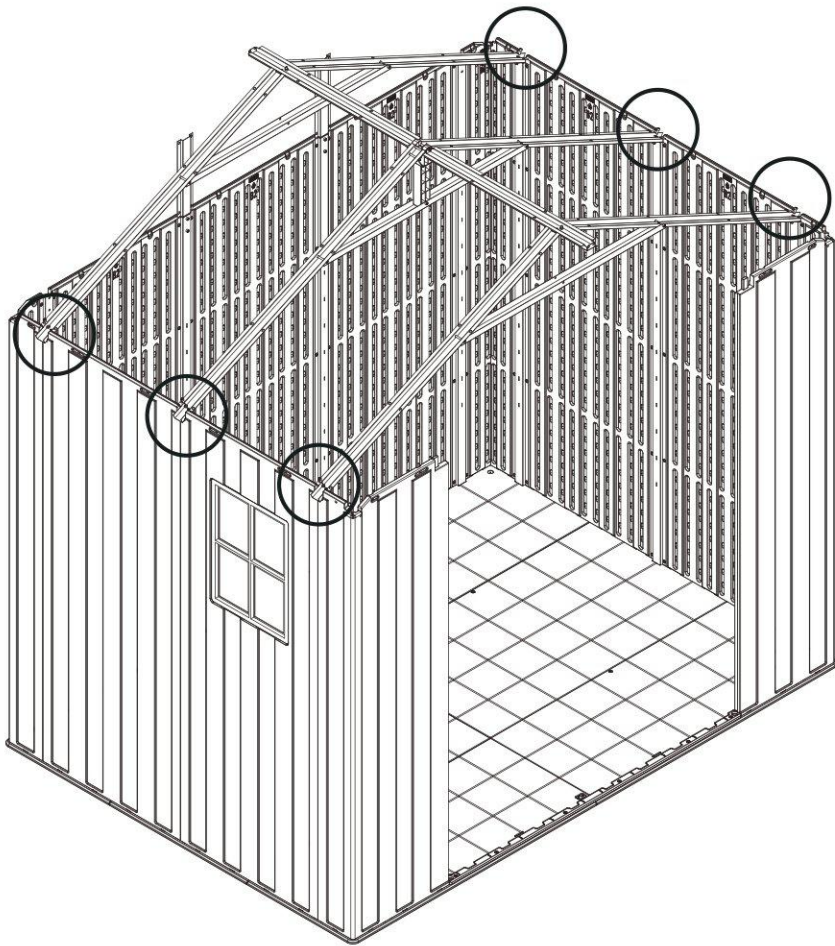
		
M6-55 4 pcs	M6-15 4 pcs	M6 8 pcs

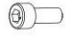


STEP 29



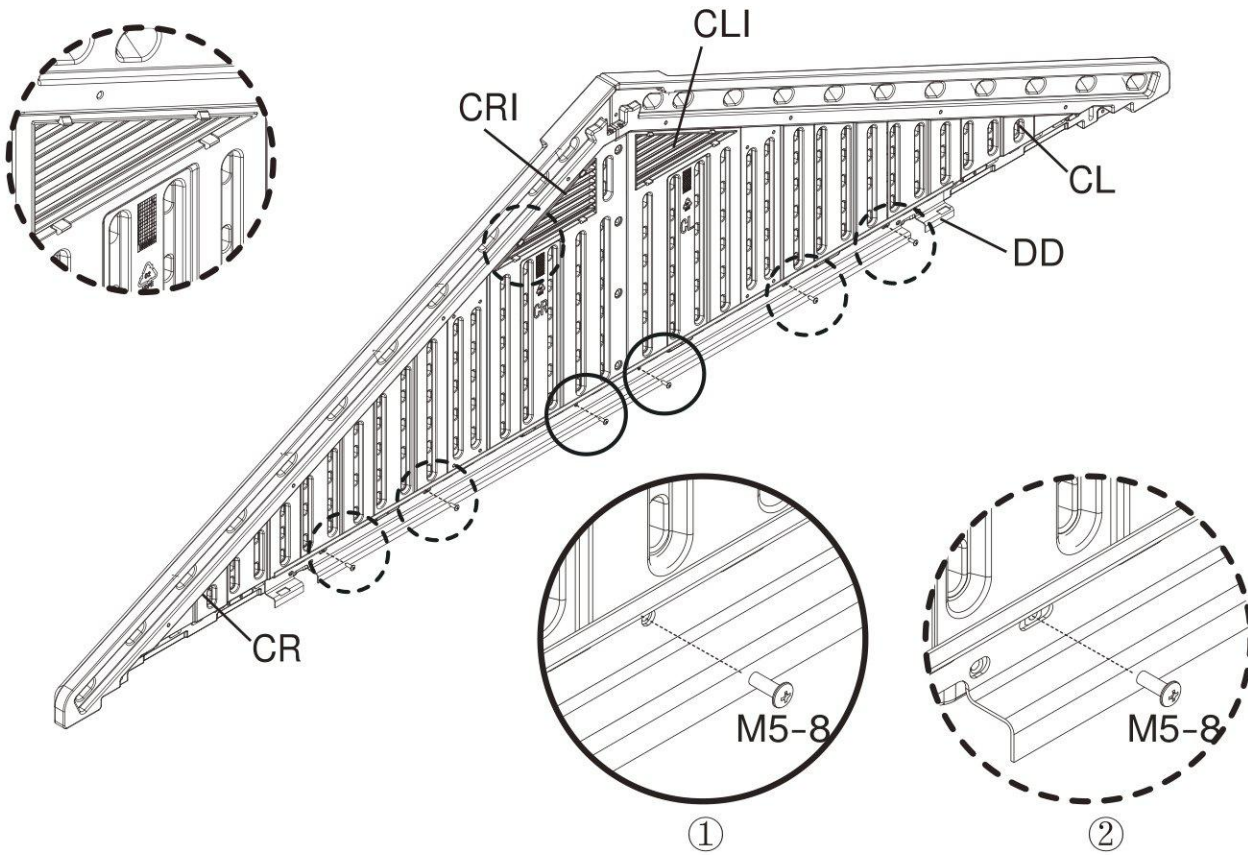
	
M6-55 2 pcs	M6 2 pcs


STEP 30



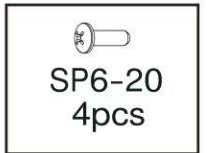
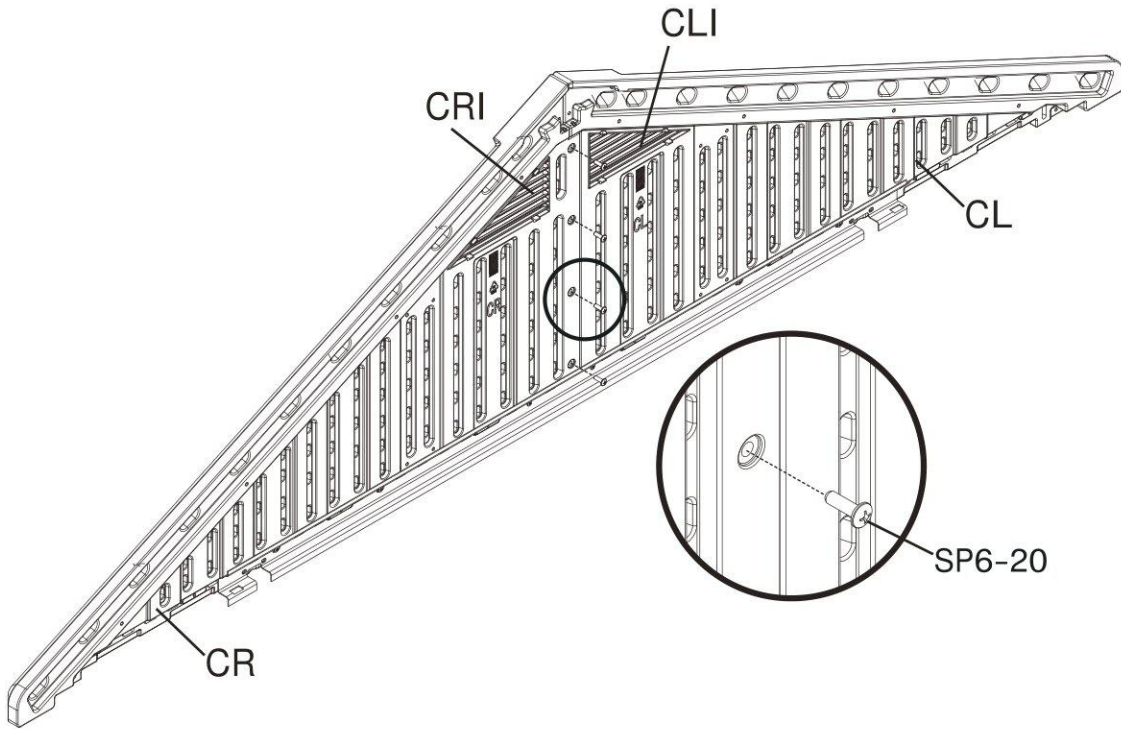
		
M6-15	M6	Z8
6 pcs	6 pcs	6 pcs

STEP 31

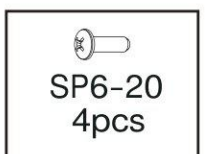
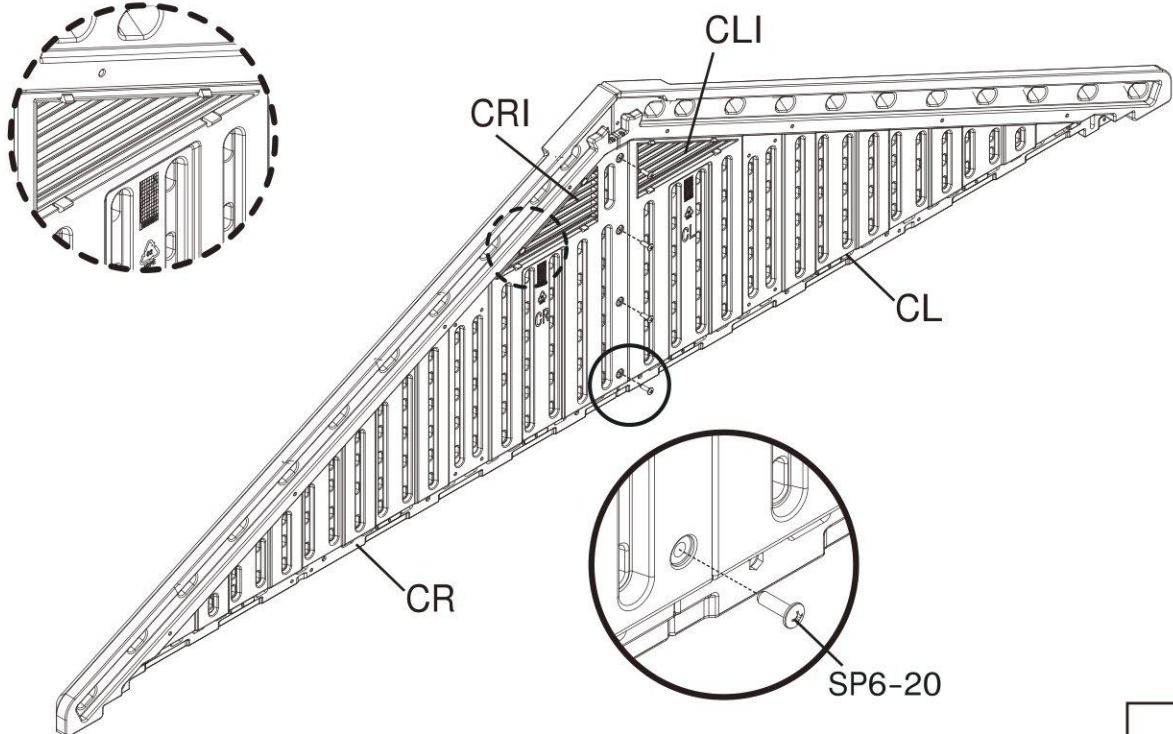



M5-8
6 pcs

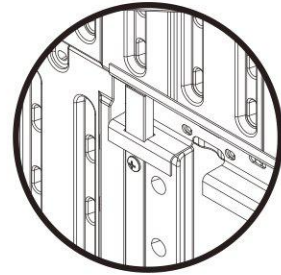
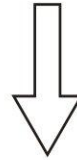
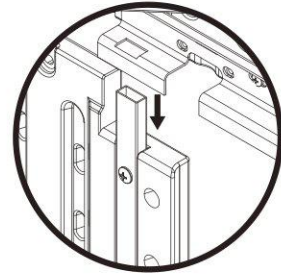
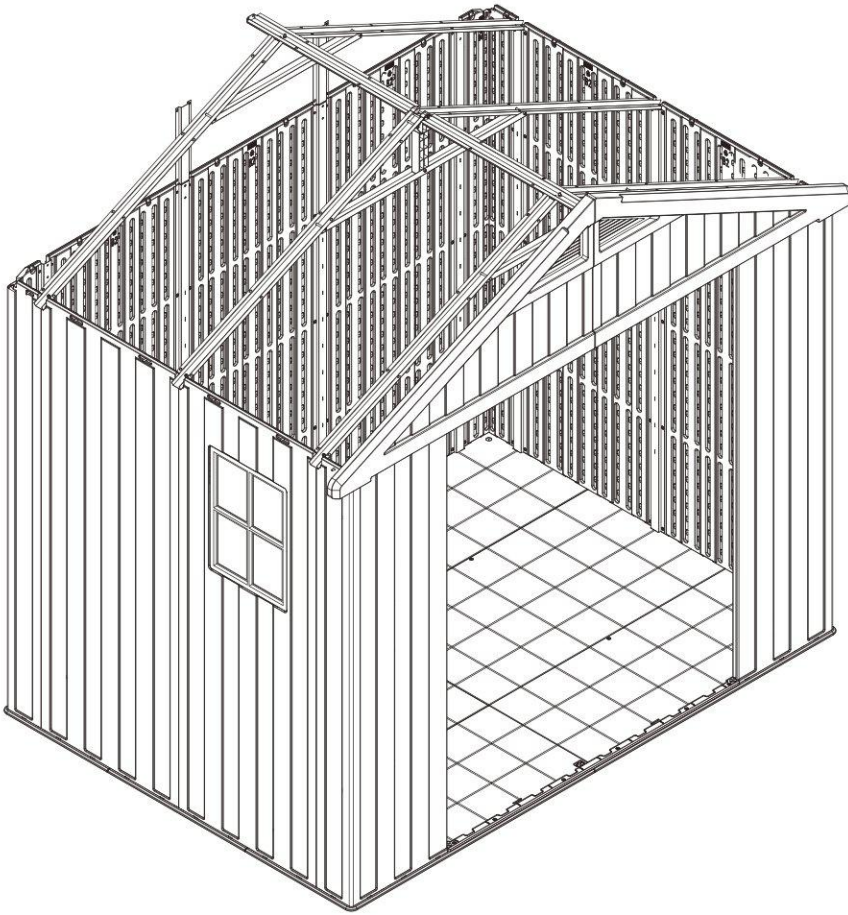
STEP 32



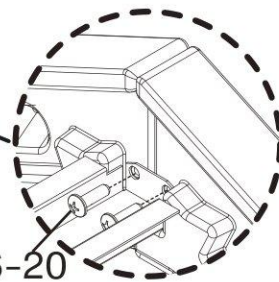
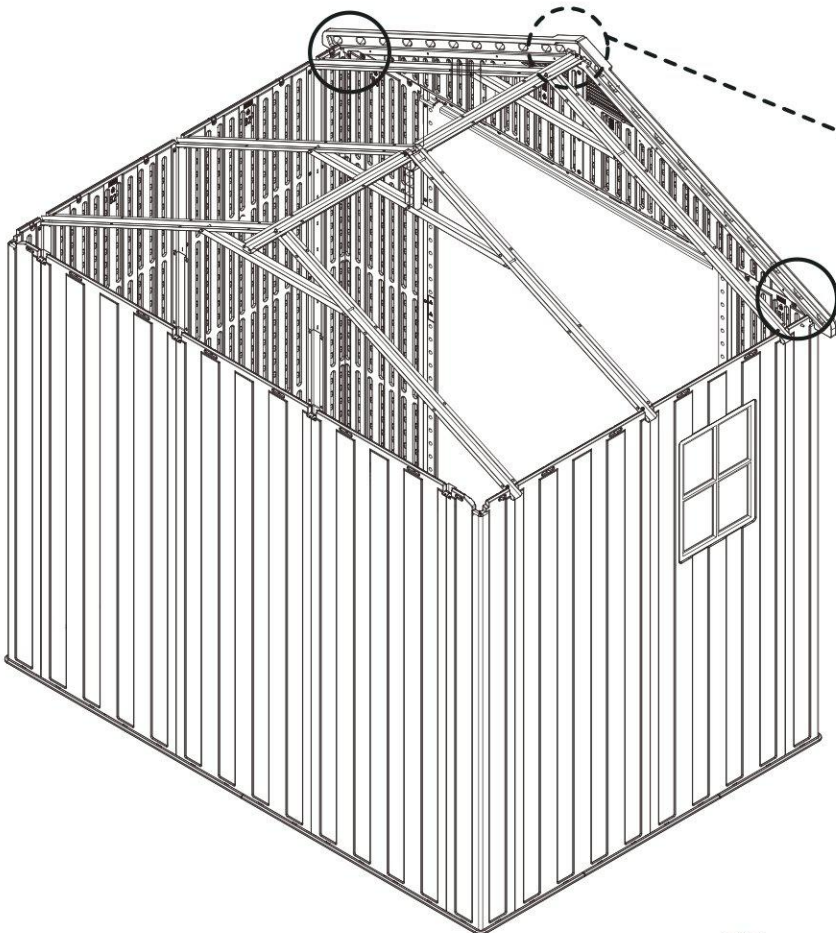
STEP 33



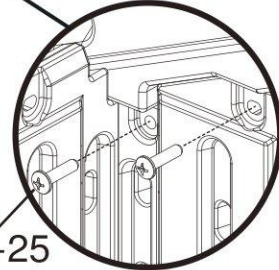
STEP 34



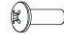

STEP 35



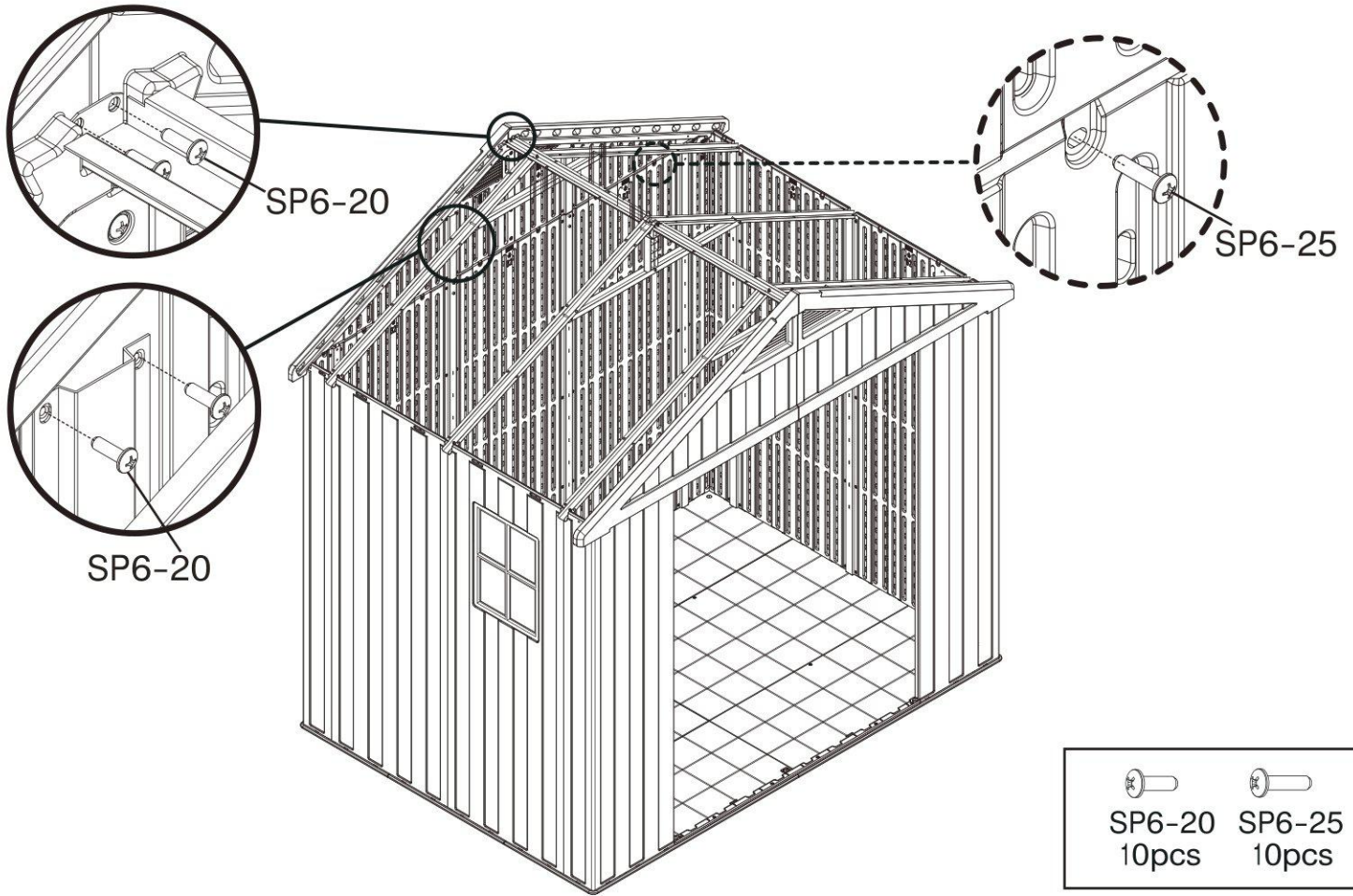
SP6-20



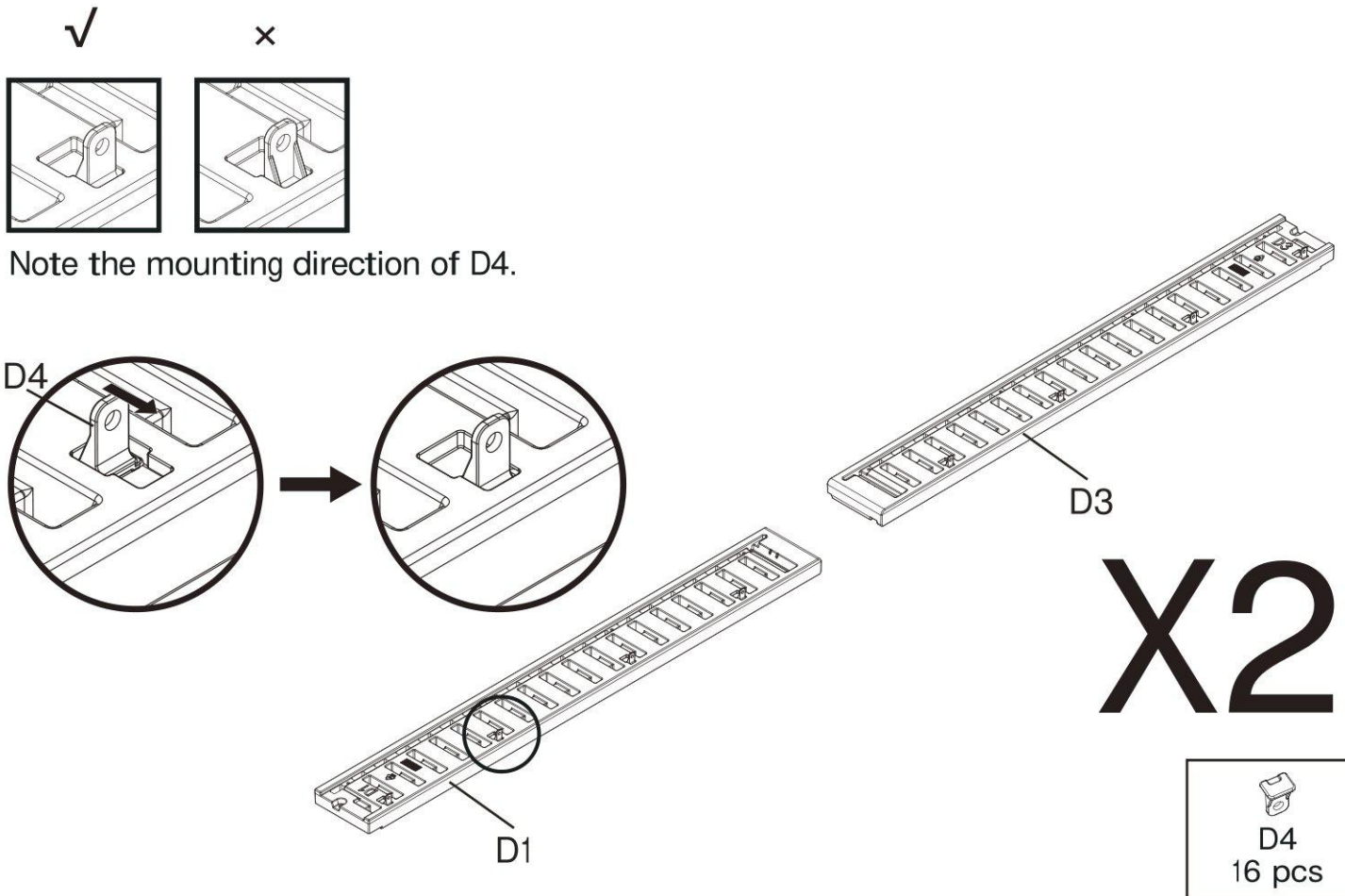
SP6-25

	
SP6-20	SP6-25
2 pcs	6 pcs

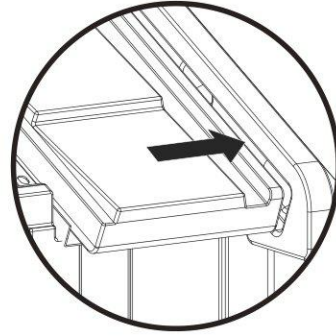
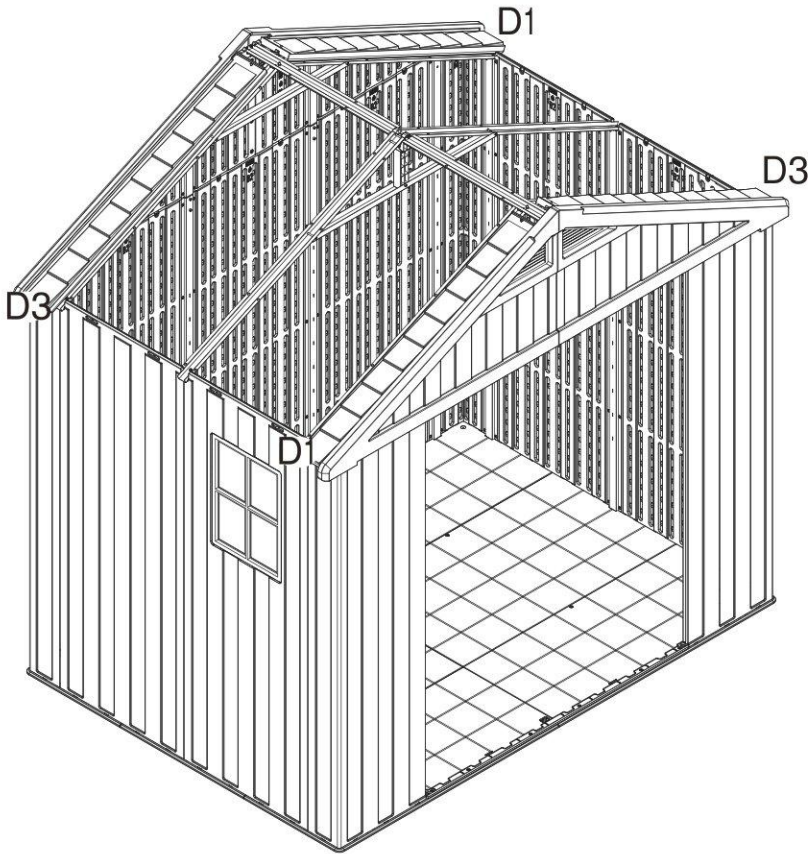
STEP 36



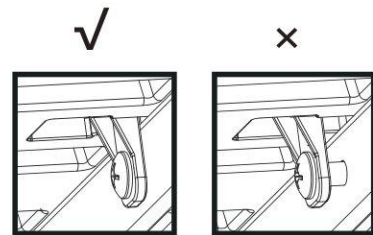
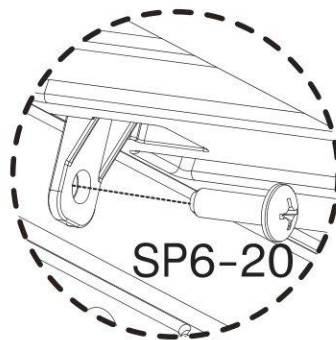
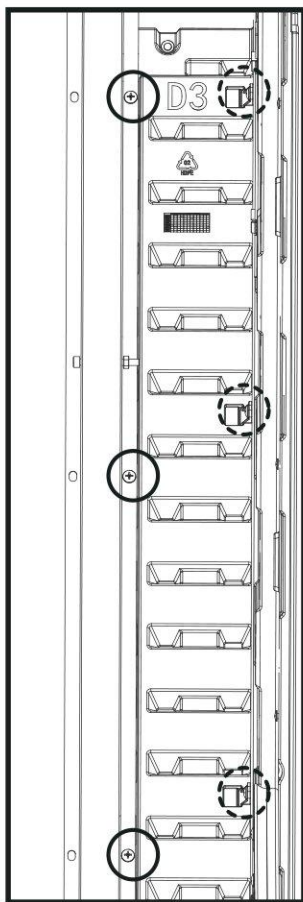
STEP 37



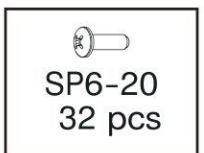
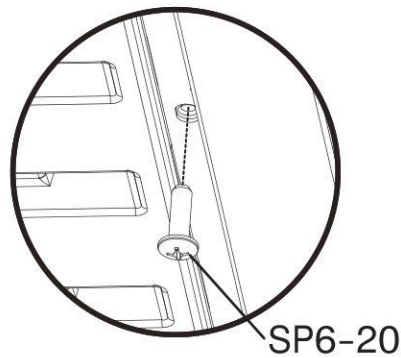
STEP 38



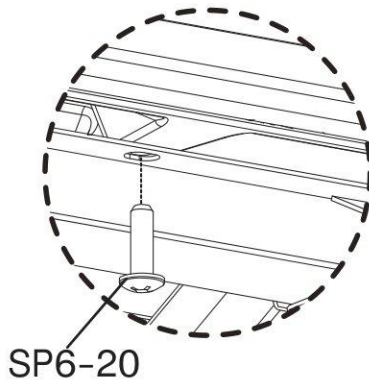
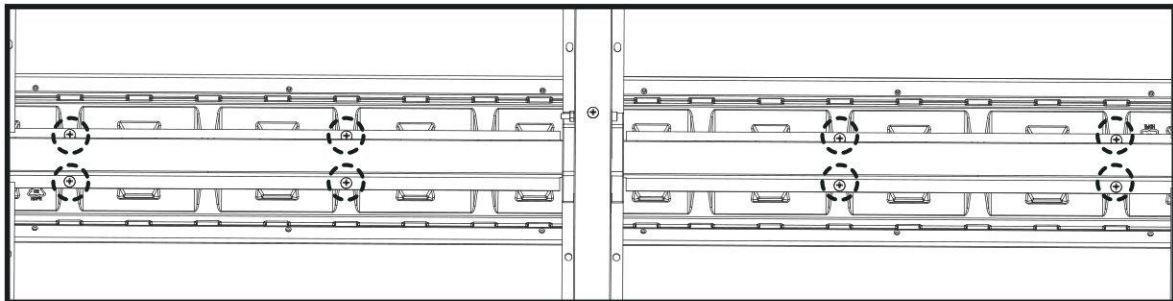
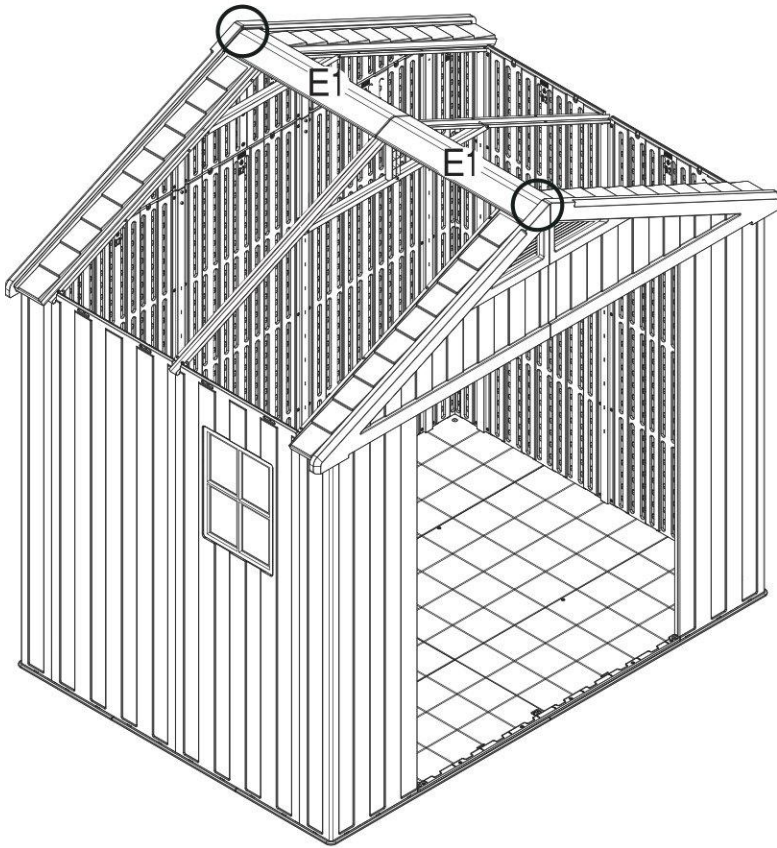
D1 and D3 are placed in the grooves of the iron frame, aligned with the grooves of the DL DR respectively and pushed forward.



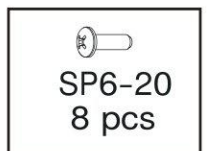
D4 should fit perfectly on the tripod.



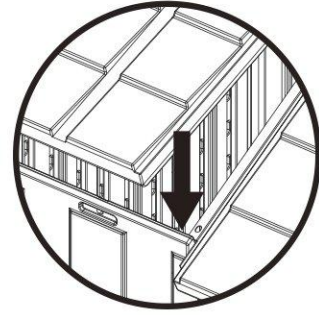
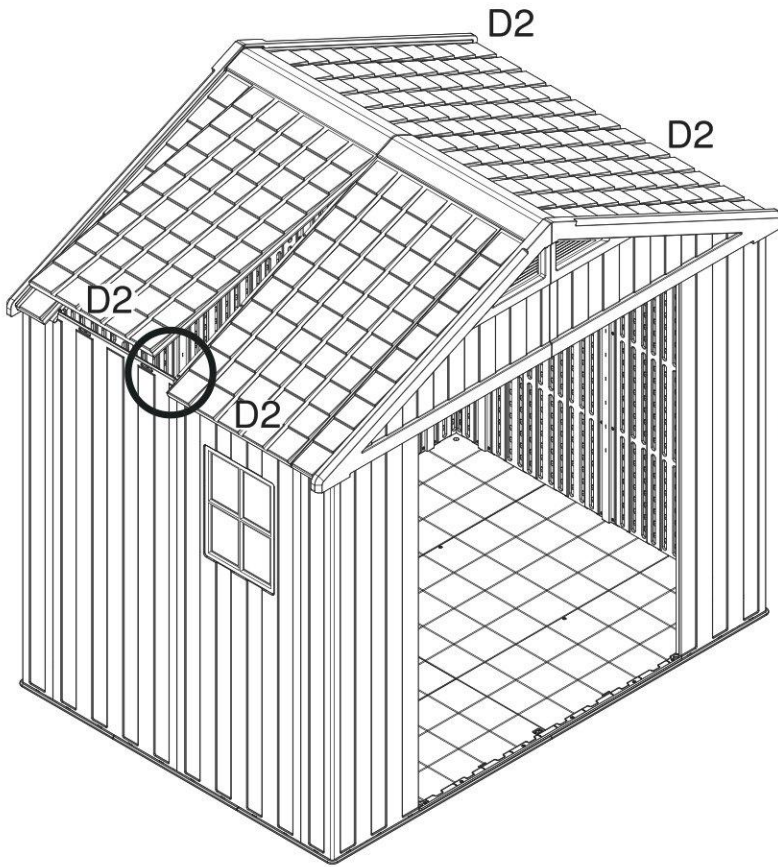
STEP 39



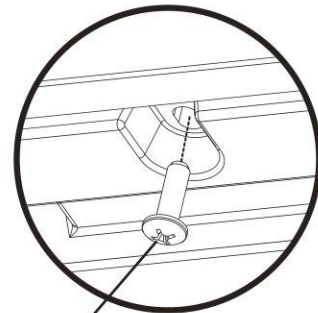
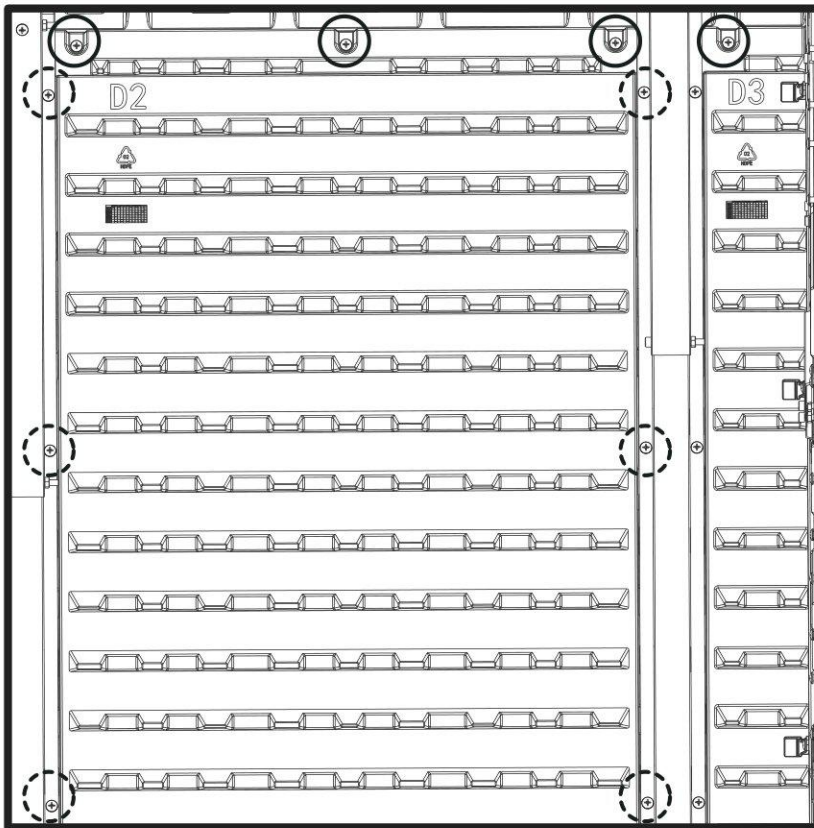
SP6-20



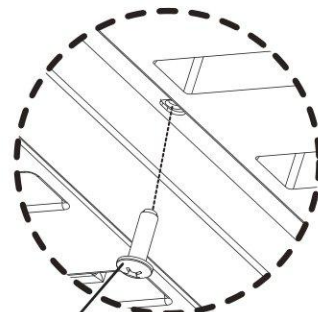
STEP 40



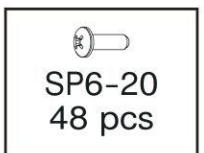
Tilt D2 into place, find the corresponding position and put it down.



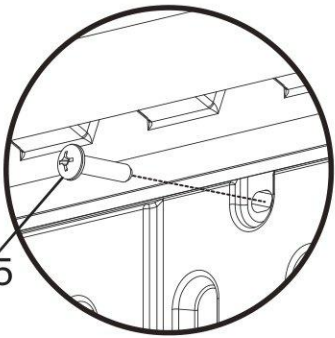
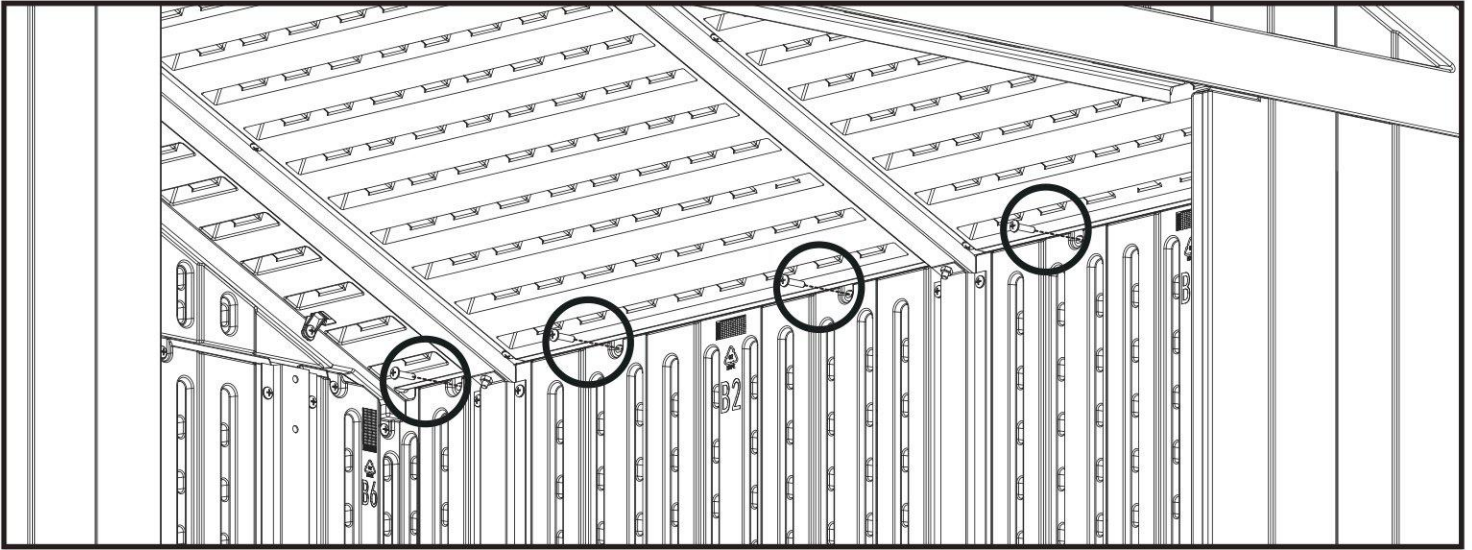
SP6-20



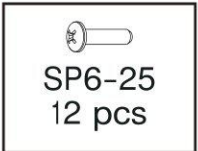
SP6-20



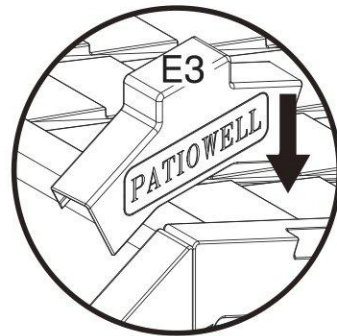
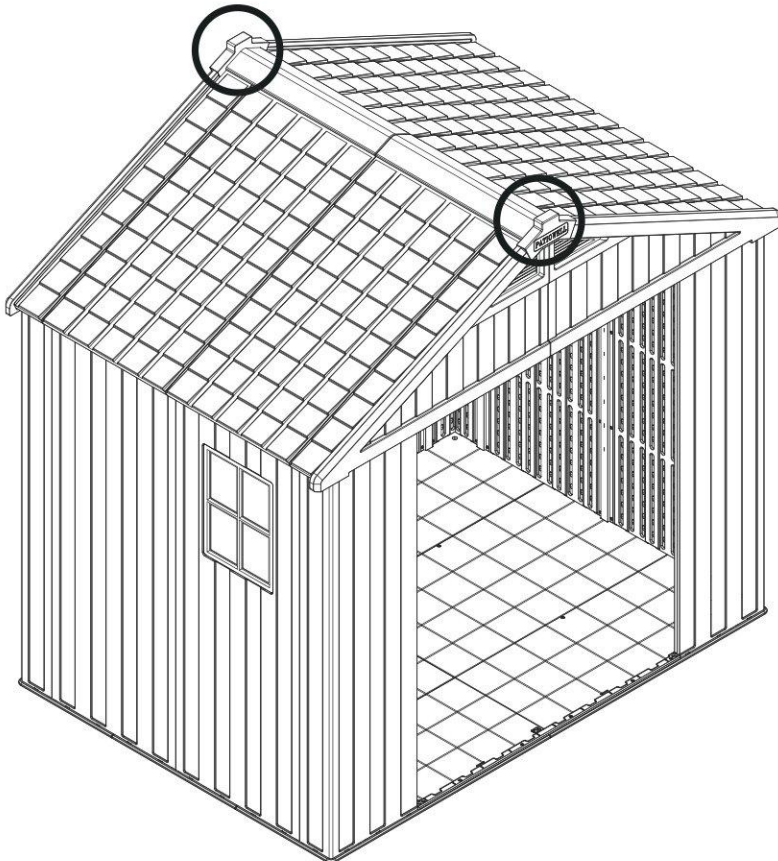
STEP 41



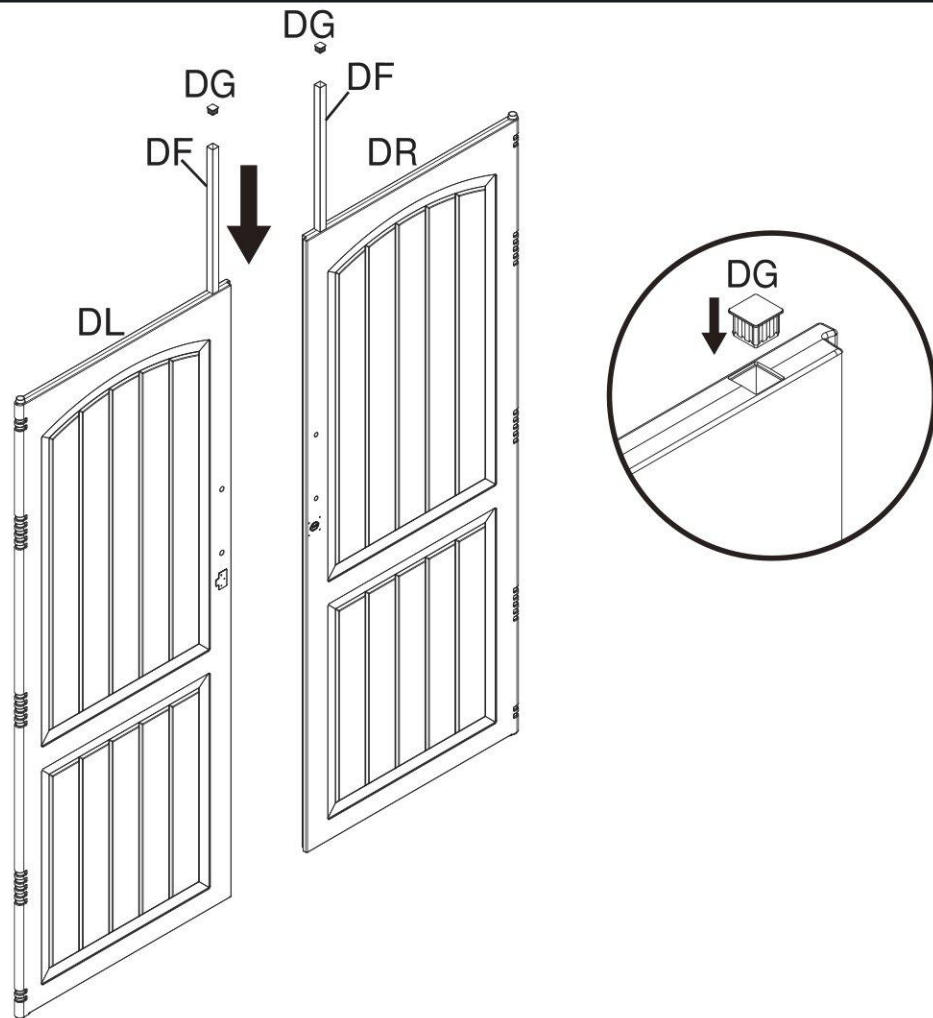
SP6-25



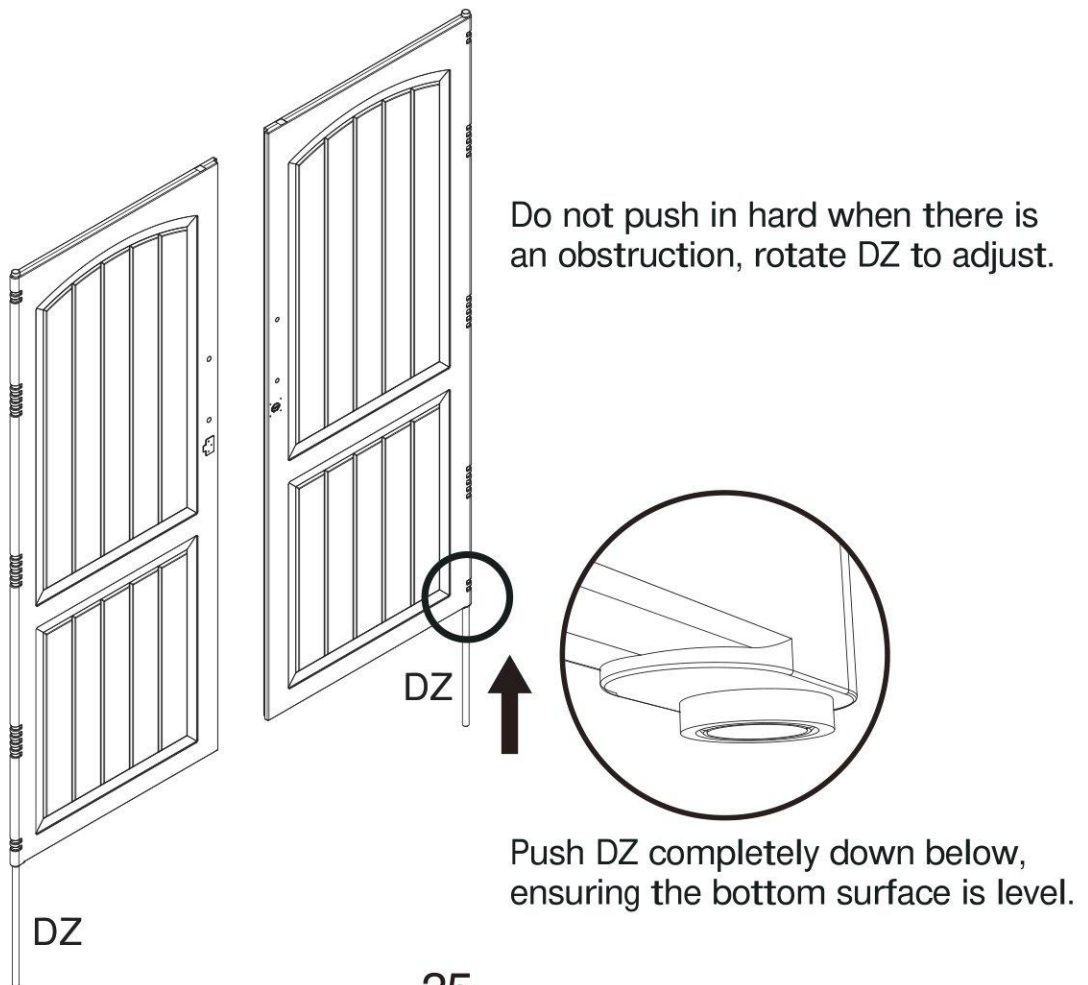
STEP 42



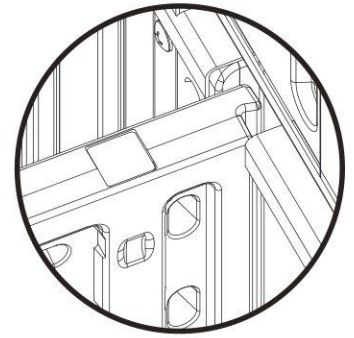
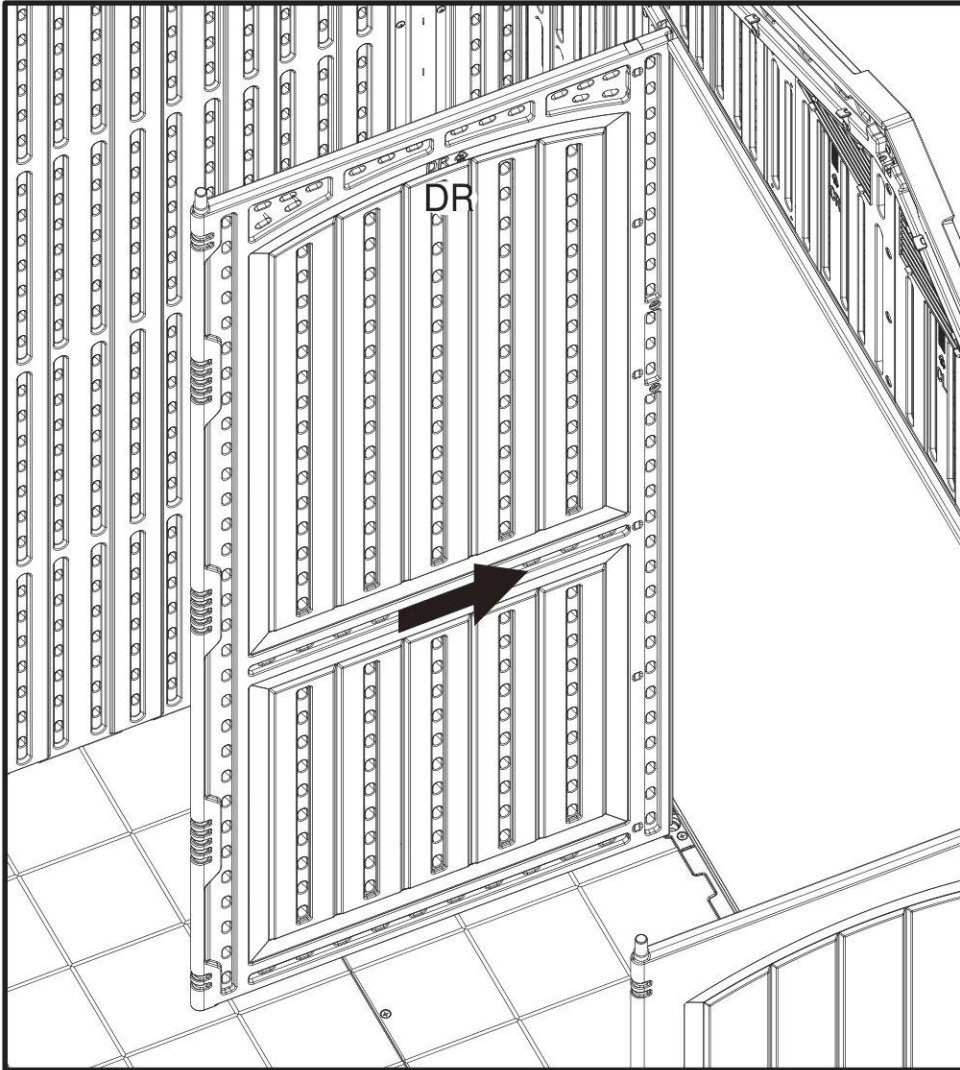
STEP 43



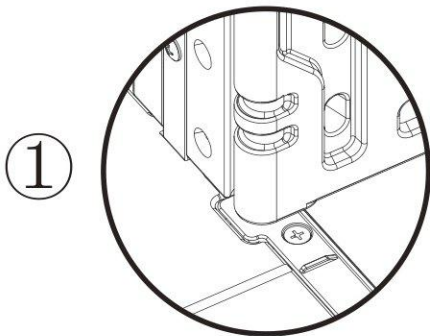
STEP 44



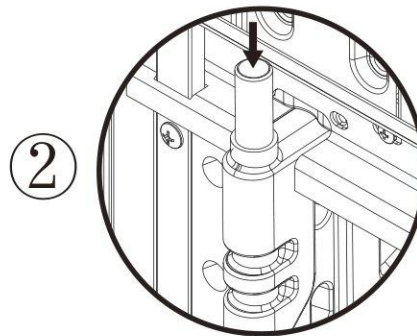
STEP 45



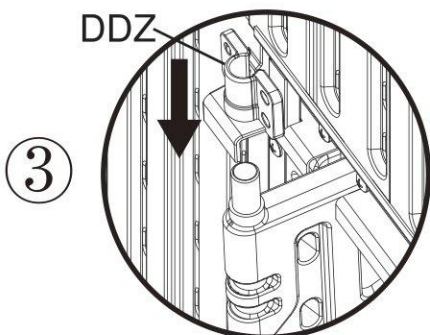
Take the DR and DL inside.
Push it forward into position.



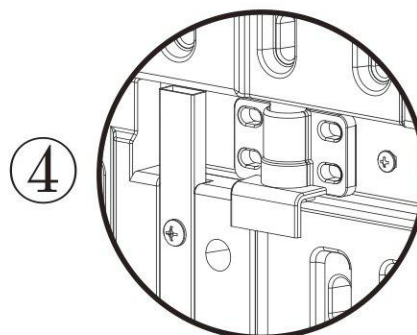
Push it into the groove of the floor.



Press the DZ downwards.

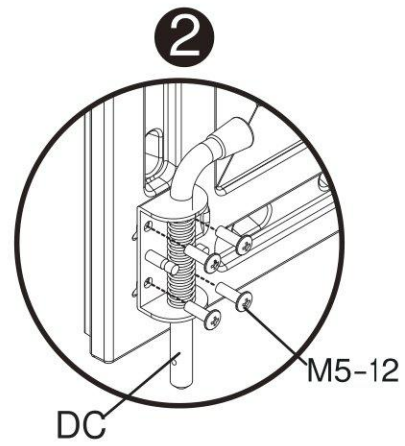
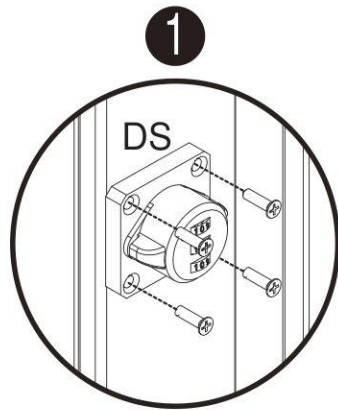
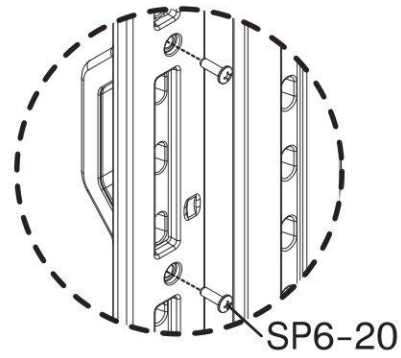
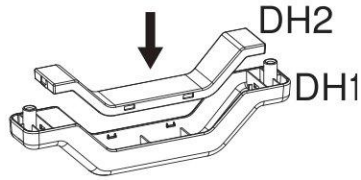
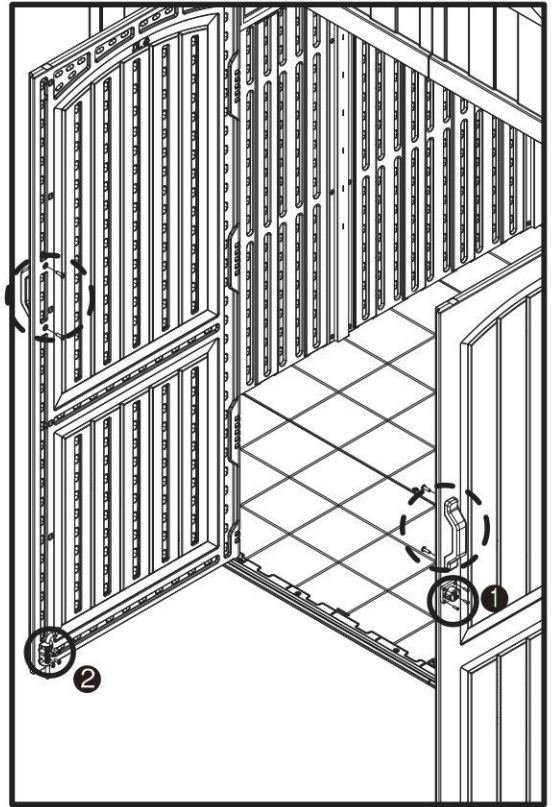
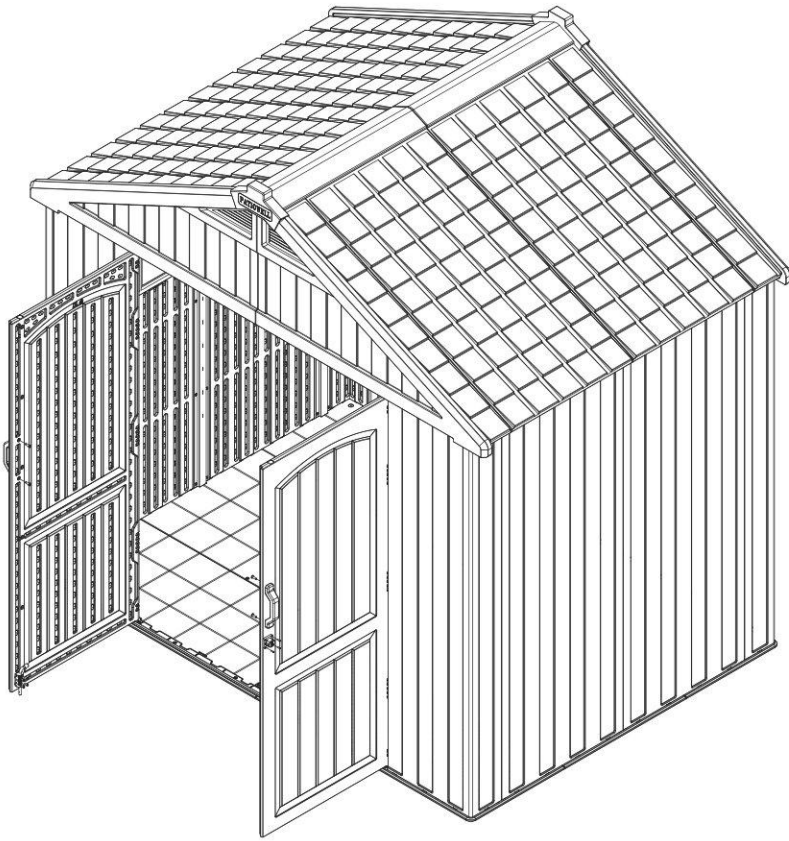




Tilting the DR and DL and
snapping it into the DDZ.



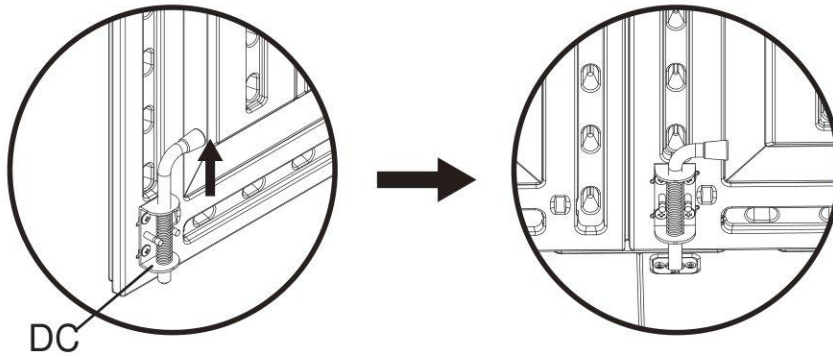
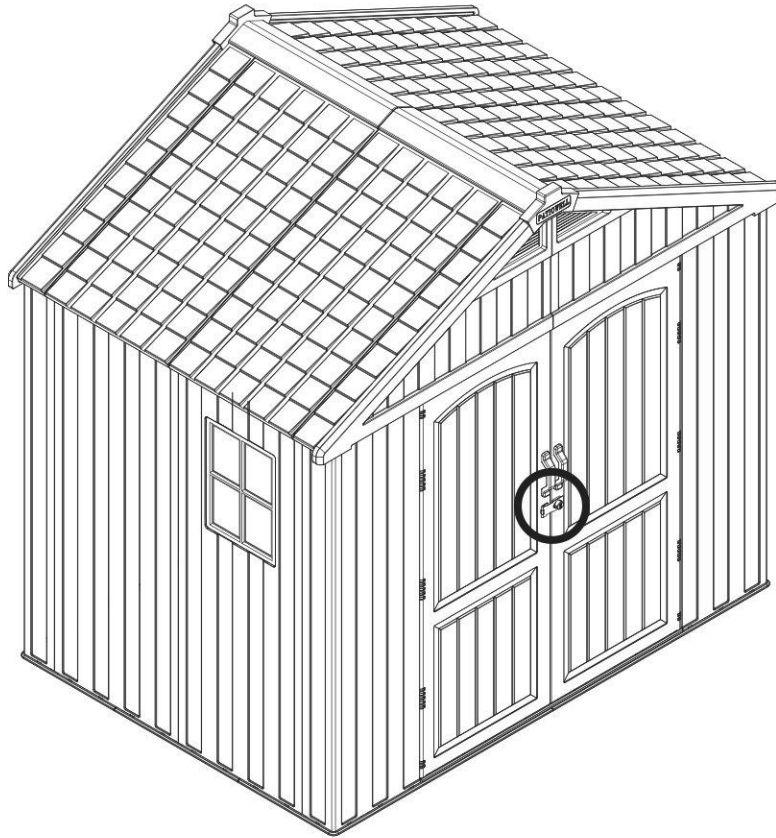
After inserting the DDZ, push the
DR and DL to the fitting position.

STEP 46



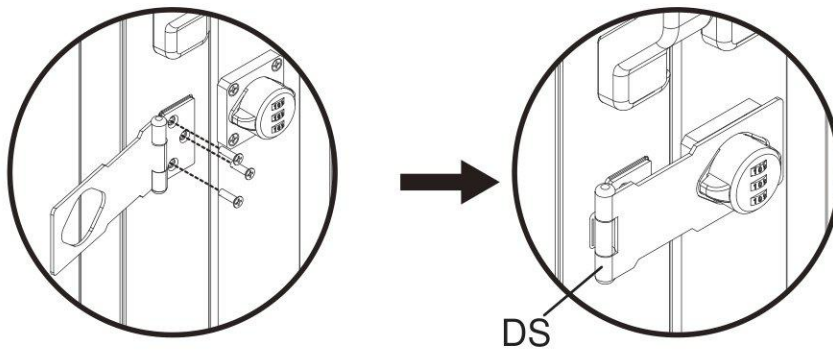
	
SP6-20	M5-12
4 pcs	4 pcs

STEP 47



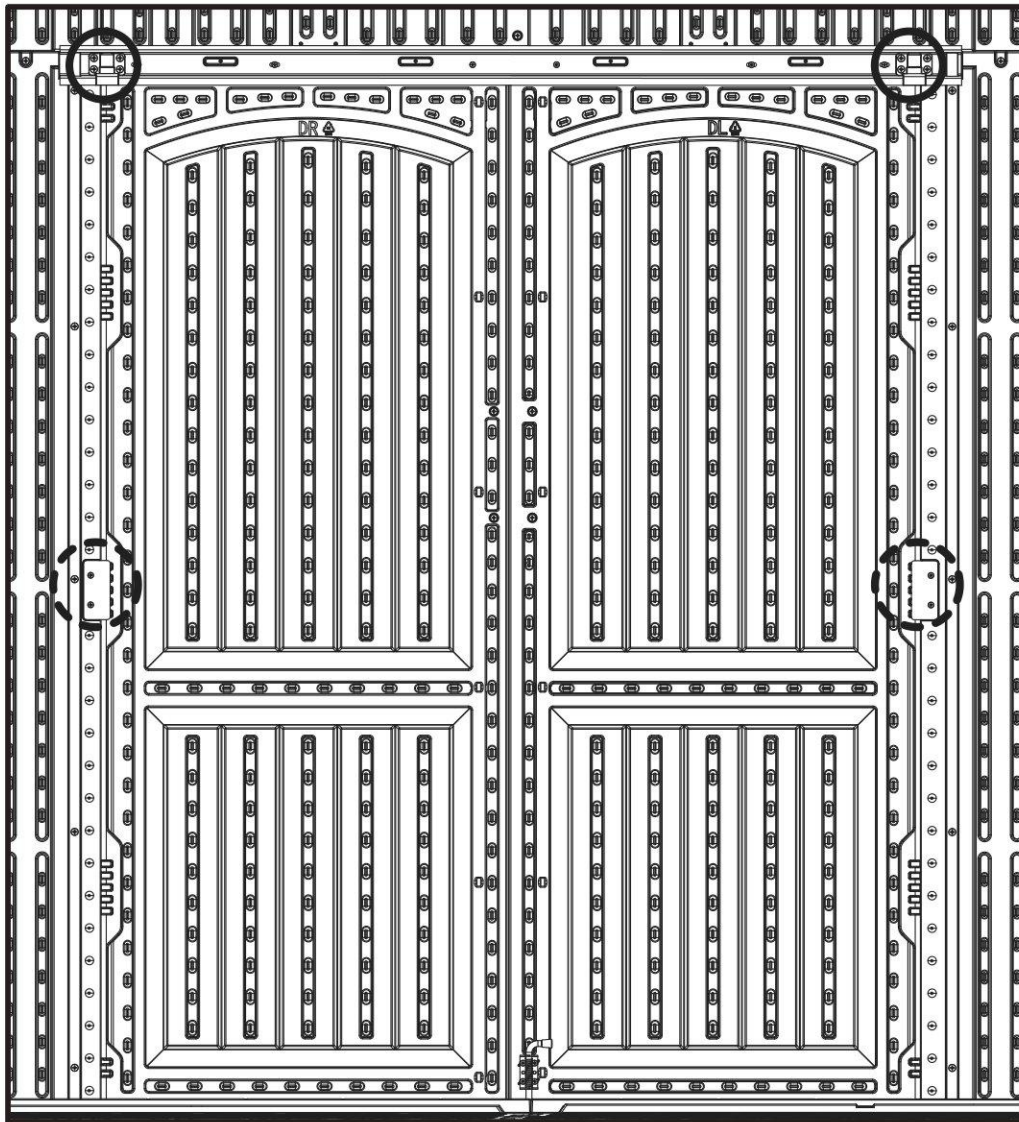
DC

Remember to unplug the DC when closing the door and put it down when the door is closed.

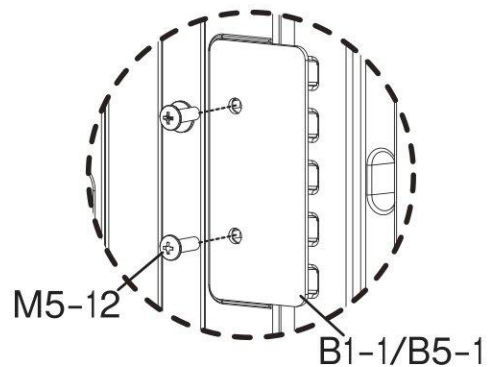
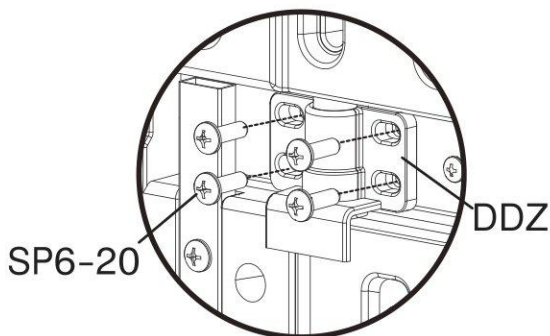




DS

STEP 48



Two people are needed. One person closes the door and inserts the pin, while the other person adjusts the gap outside the door. After making sure the gap is even, the person inside installs DDZ screws SP6-20.



	
SP6-20	M5-12
8 pcs	4 pcs

CARE & SAFETY

- In case of fire, do not attempt to extinguish any burning polypropylene with water. Unsuitable for storage of flammable or corrosive substances.
- It is of utmost importance to assemble all of the parts according to the directions. Do not skip any step.
- Please consult your local authorities if any permits are required to erect shed.
- Periodically check shed to assure that it remains stable and that the site remains level.
- It is highly recommended to secure the shed to an immovable object or to the ground by drilling holes in the floor at the pre-marked locations and inserting proper screws into the ground (size: 1.9"-3" ,screws are not included).
- Wear safety-goggles and always follow the manufacturer's instructions when using power tools.
- Wash shed with garden hose or a mild detergent solution. Using a stiff brush or abrasive cleaner could damage shed.
- Hot items such as recently used grills, blowtorches, etc. must not be stored in the shed.
- Heavy articles should not be leaned against the walls, as this may cause distortion.
- Keep roof clean of snow and leaves. Heavy amounts of snow on roof can damage the shed making it unsafe to enter.
- Although wind direction varies, it is an important factor when taking into account where to place your shed. Therefore, it is recommended to reduce wind exposure of the shed in general, and the door side in particular.
- Keep doors closed and locked to prevent wind damage.
- Do not stand on the roof.