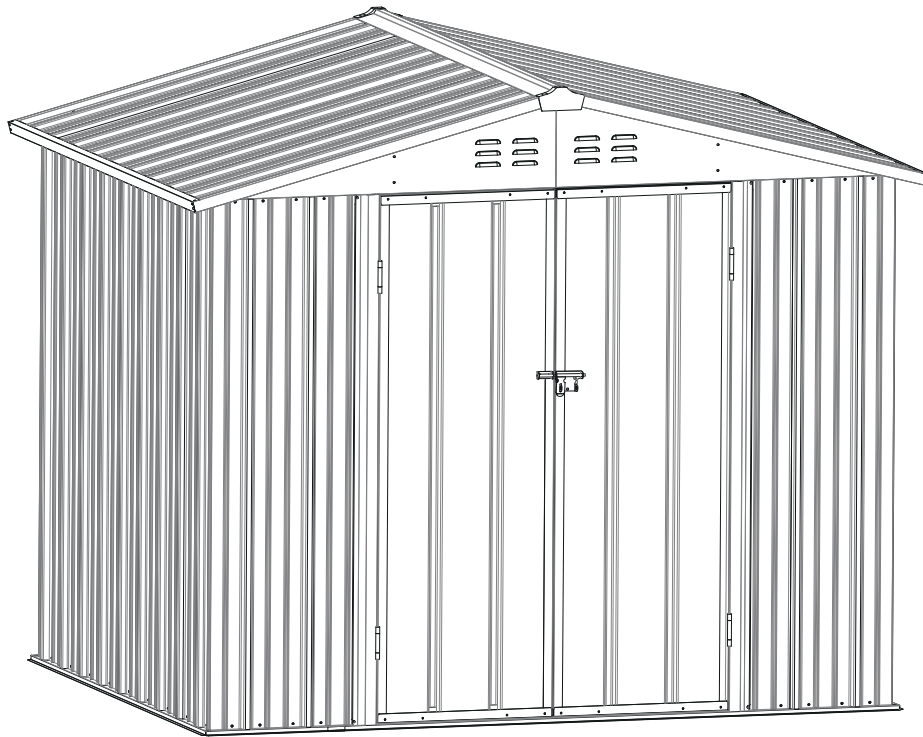


Metal Garden Shed

ASSEMBLY INSTRUCTIONS



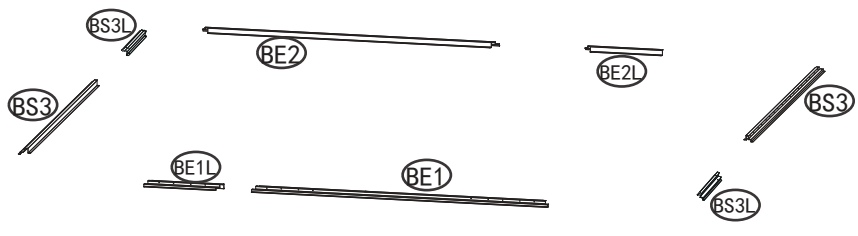
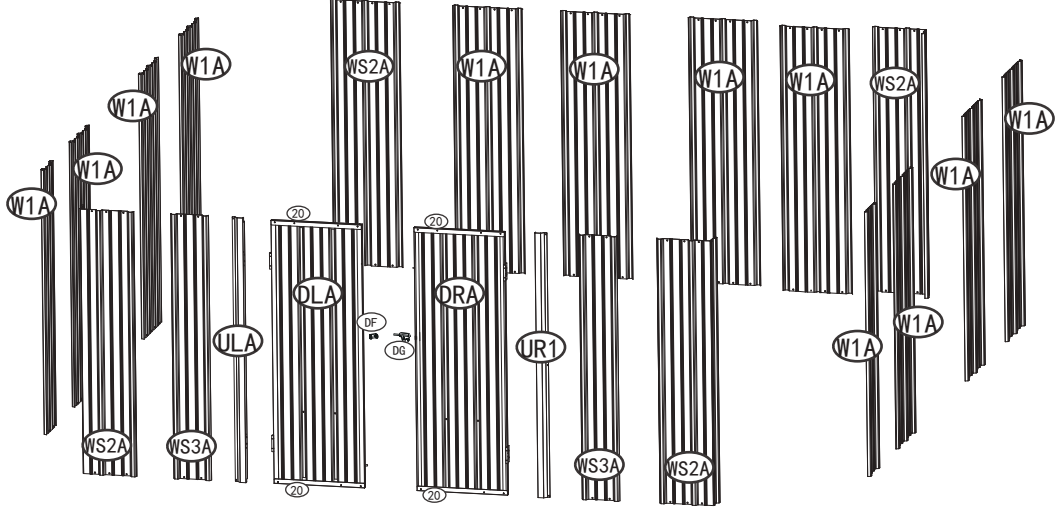
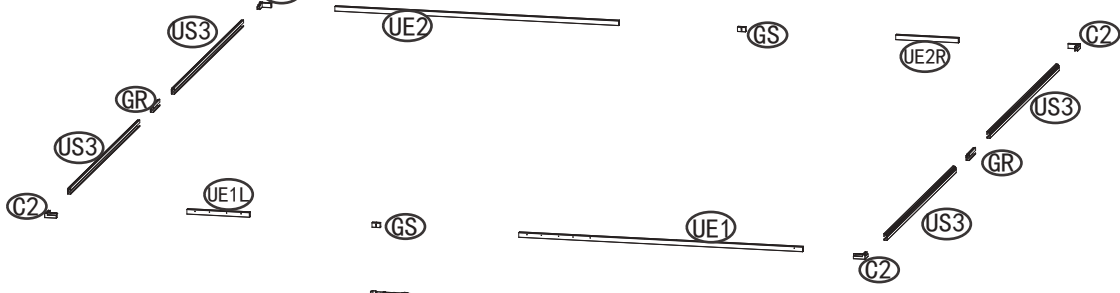
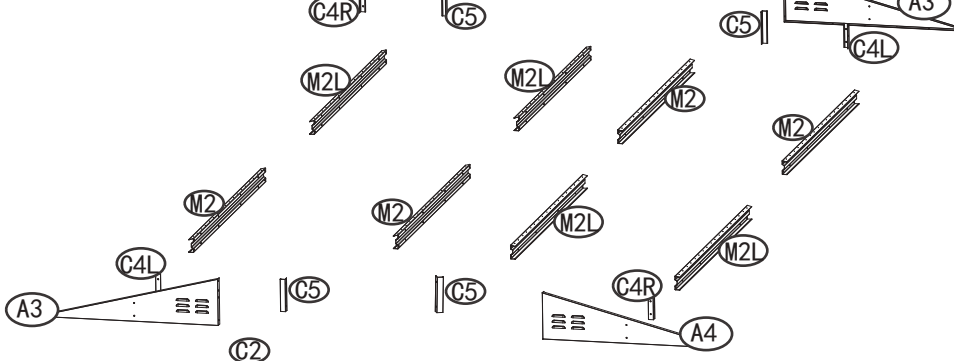
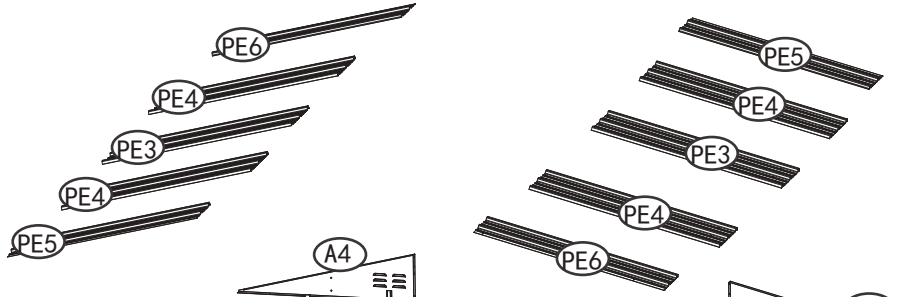
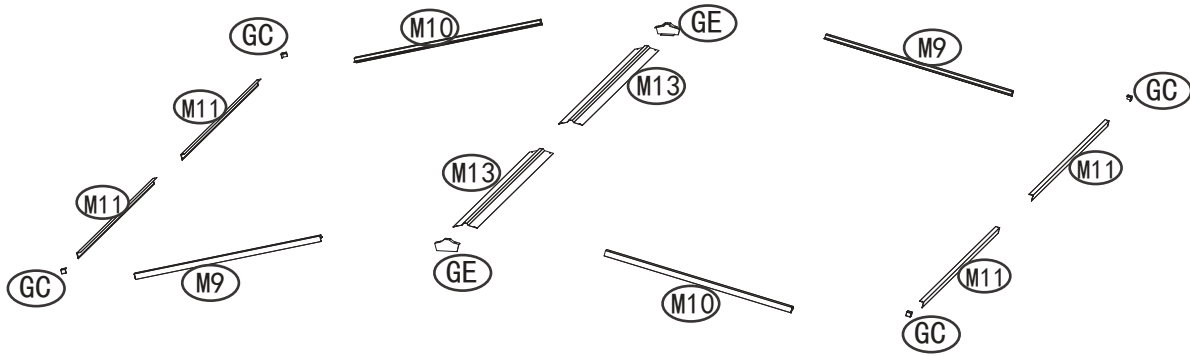
Requires two people and takes 2-3 hours for Installation.

Recommended to wear gloves to avoid scratches




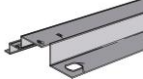
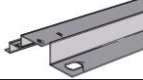
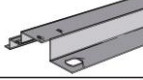
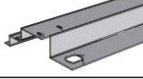
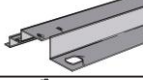




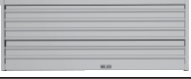

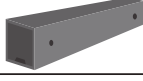
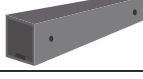
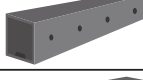
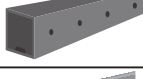



Dear Customers,

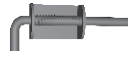




Thank you for purchasing our product. Please read this instruction manual carefully after receiving this product. It will help you assemble this product quickly, safely and correctly. You can keep this manual for future reference.

You will receive TWO separate boxes for this product to be fully assembled. Please make sure all boxes arrived in good condition before assembling. It happens sometimes when boxes arrive separately due to postponed carrier's shipping, and your patience is really appreciated!













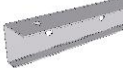













parts list

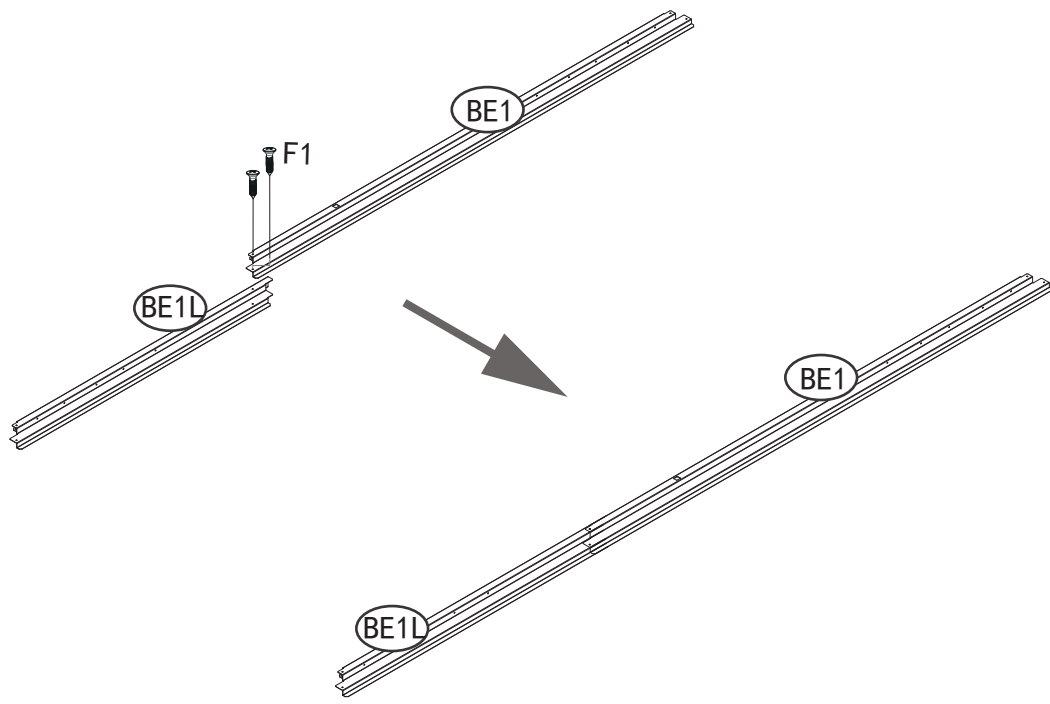
NO.	PART	Qty.
A3		2
A4		2
BE1		1
BE1L		1
BE2		1
BE2L		1
BS3		2
BS3L		2
C2		4
C5		4
C4R		2
C4L		2
DLA		1
DRA		1
UE1		1
UE1L		1
UE2		1
UE2R		1
US3		4
ULA		1
UR1		1




NO.	PART	Qty.
DC		2
V1		50
V2		309
20		4
DG		1

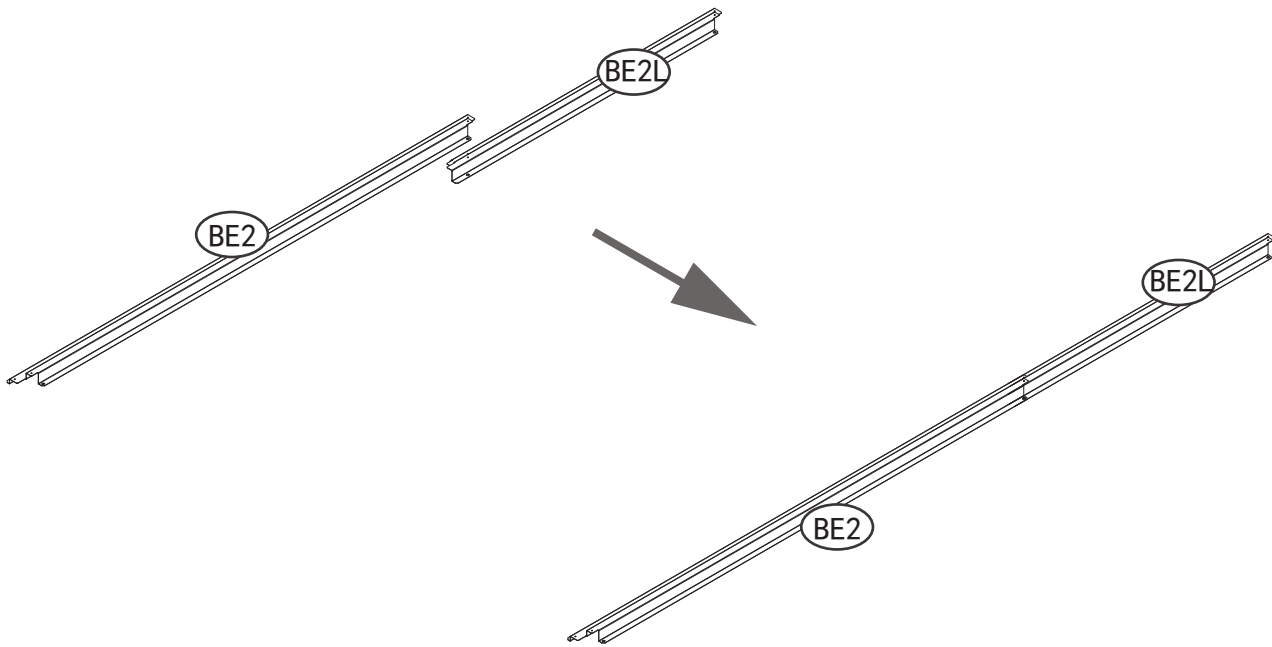
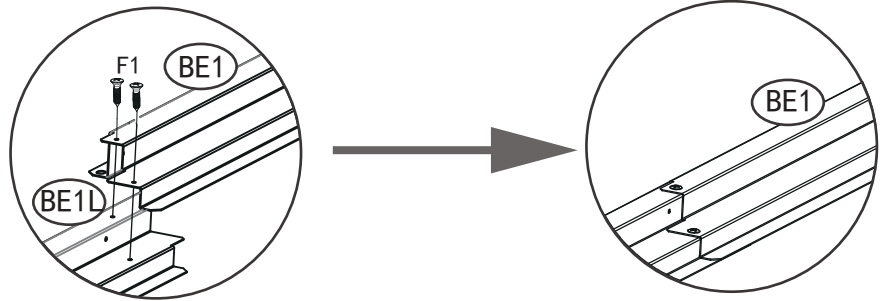
parts list




NO.	PART	Qty.
W1A		12
WS2A		4
WS3A		2
PE3		2
PE5		2
PE6		2
PE4		4
M2		4
M2L		4
M13		2
M9		2
M10		2
M11		4
GC		4
GE		2
GS		2
GR		2

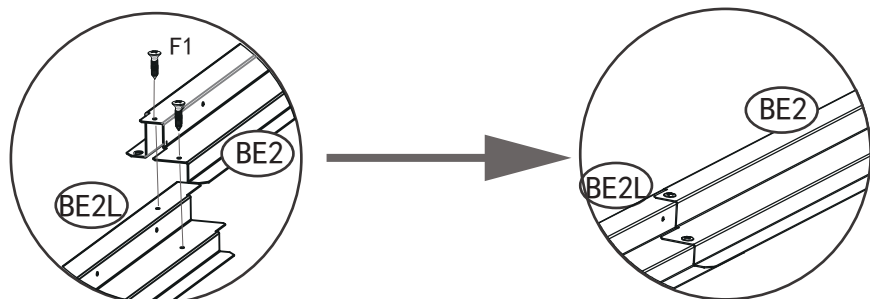
NO.	PART	Qty.
F1		343
F2		44
F3		32
DH		4
DX2		4
F4		5
DF		1

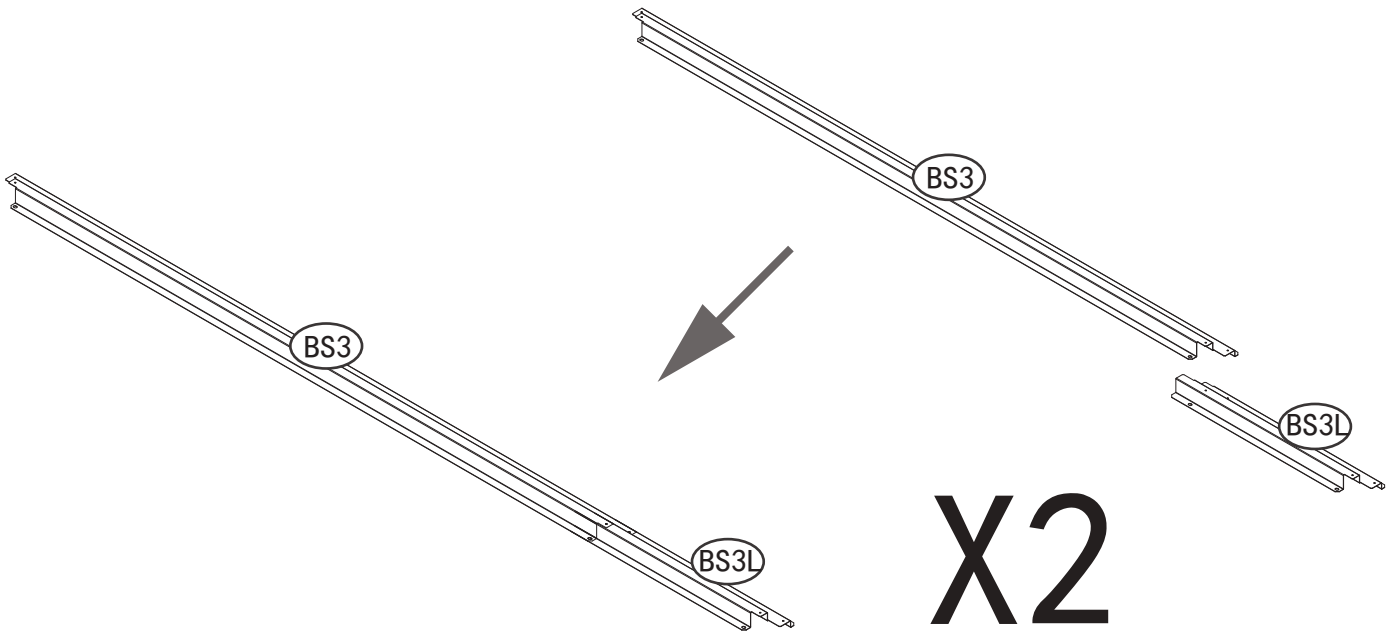


NO.	PART	Qty.
BE1		1
BE1L		1
F1		2

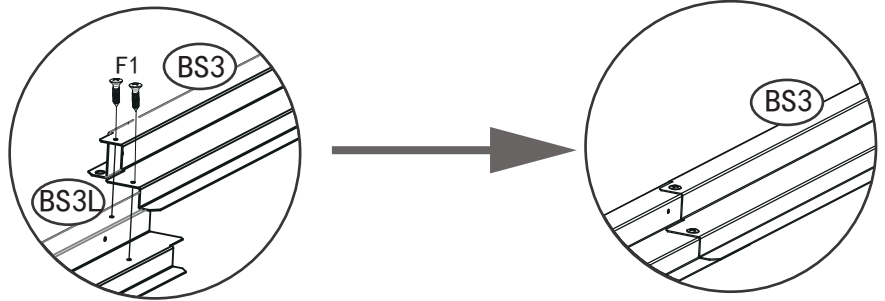


NO.	PART	Qty.
BE2		1
BE2L		1
F1		2

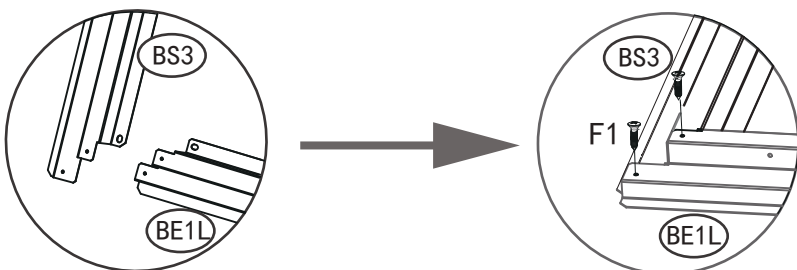
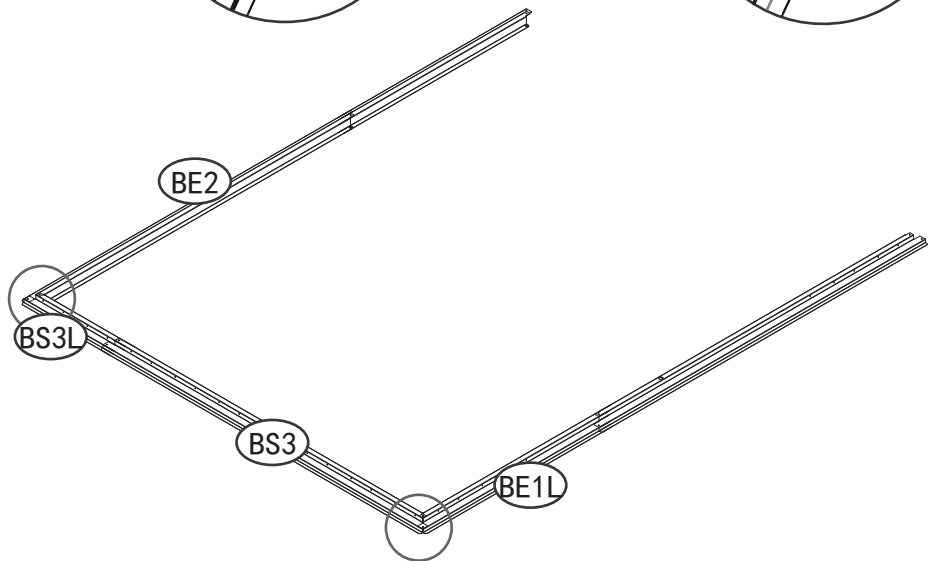
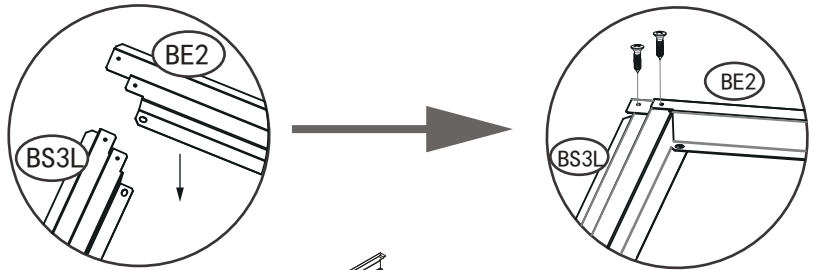


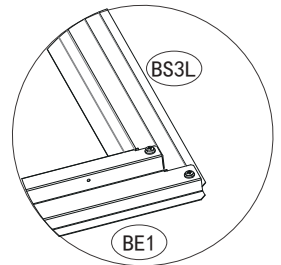
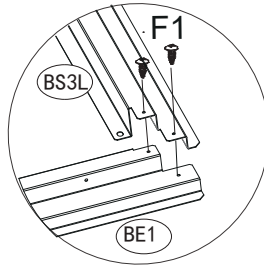
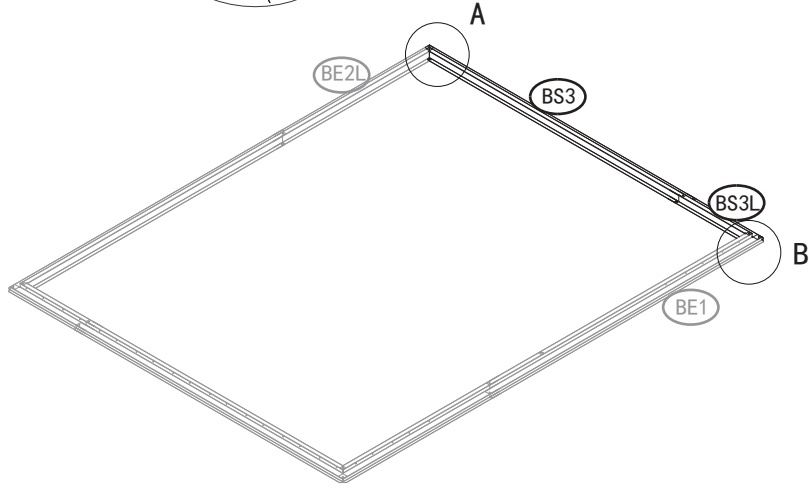
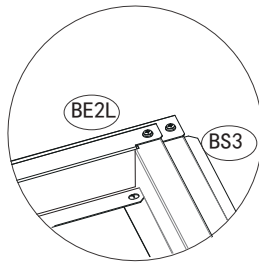
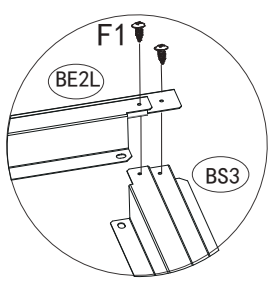


NO.	PART	Qty.
BS3		2
BS3L		2
F1		4



NO.	PART	Qty.
F1		4

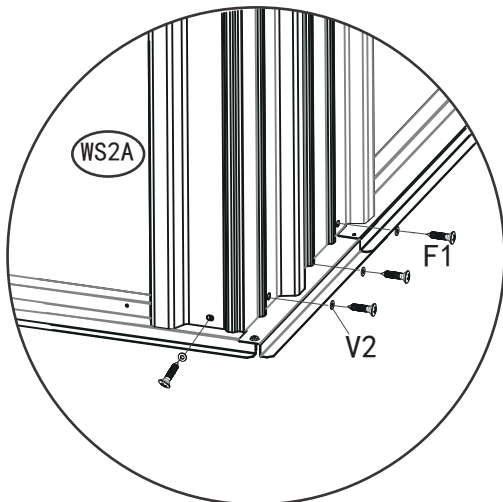
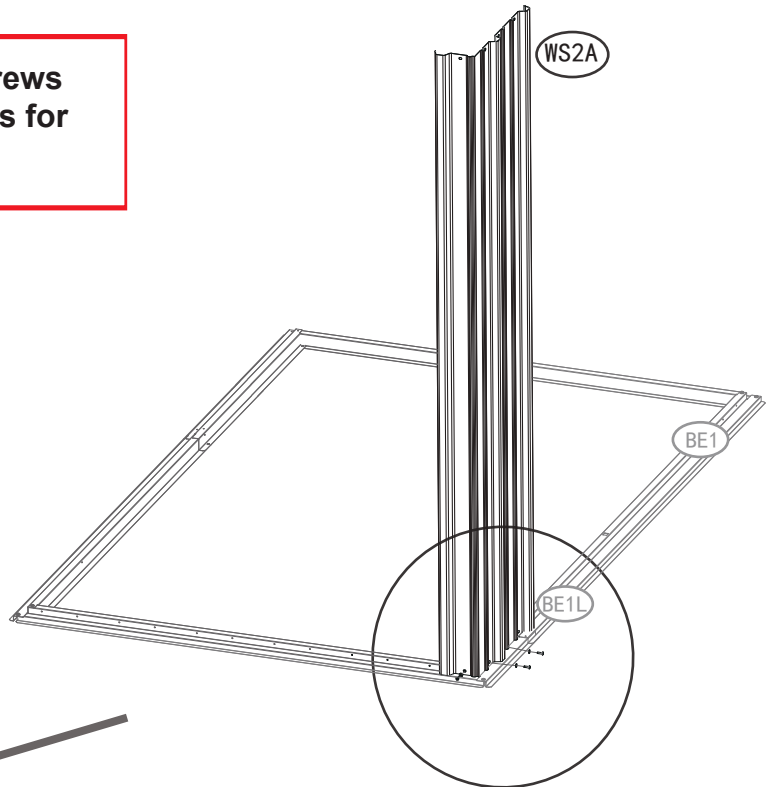


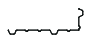




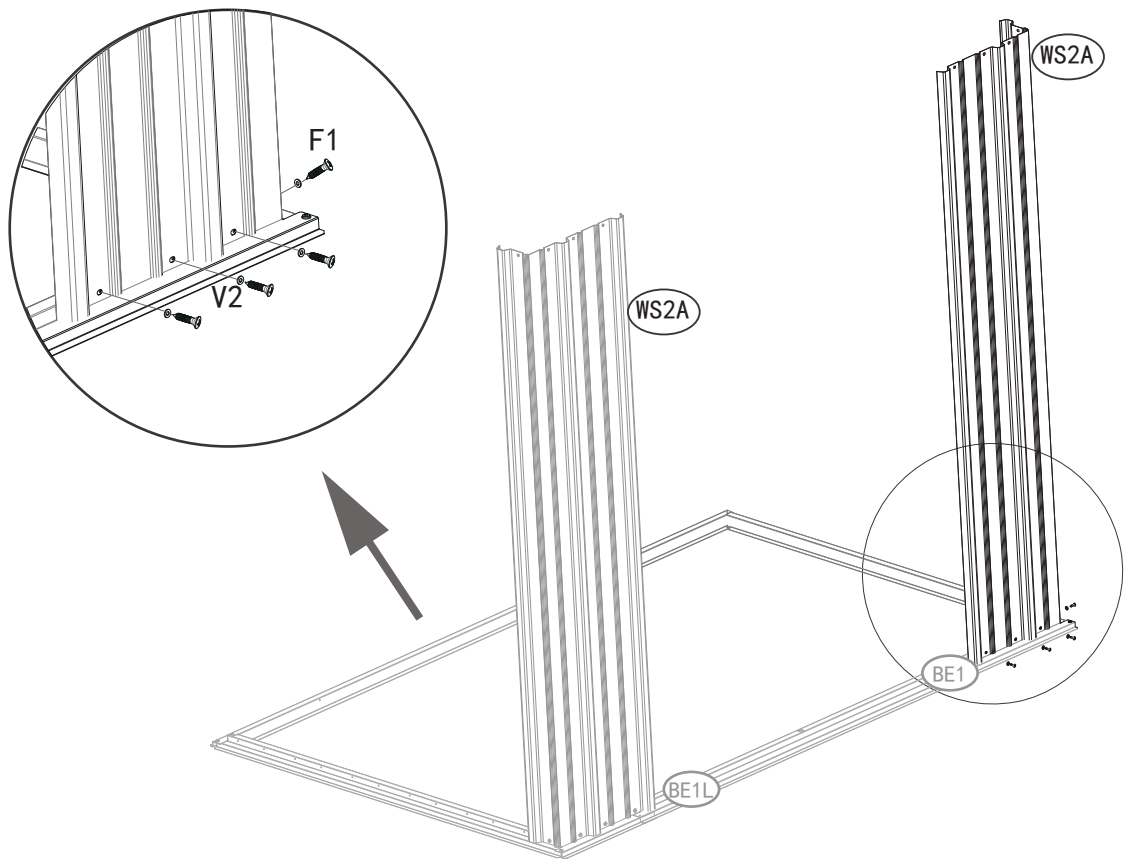
NO.	PART	Qty.
F1		4

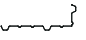


NO.	PART	Qty.
WS2A		1
F1		4
V2		4

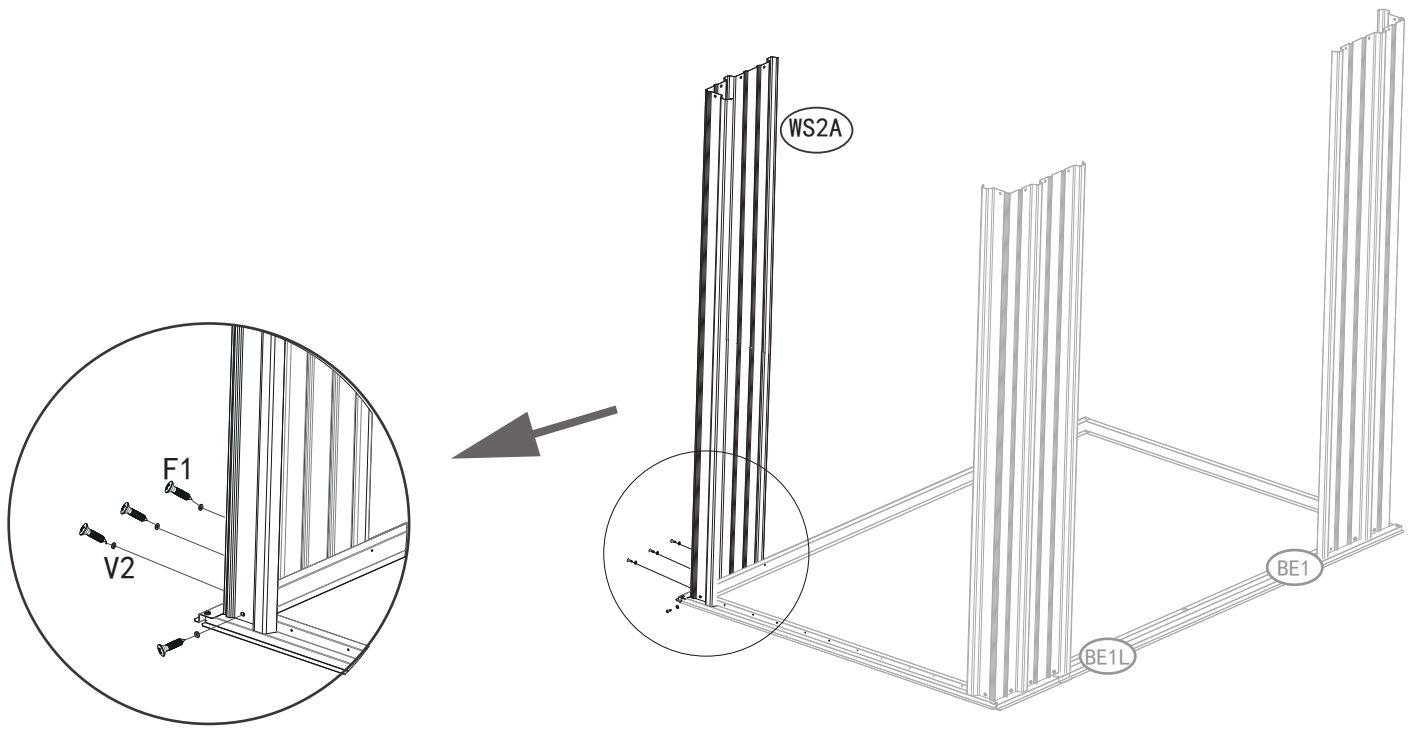
Please align the screws with the screw holes for installation






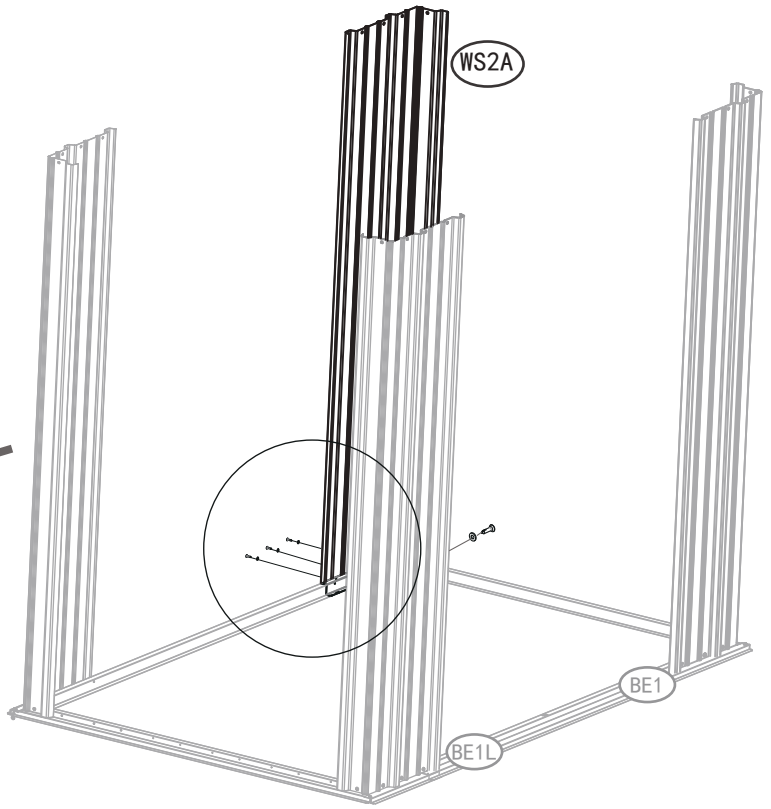
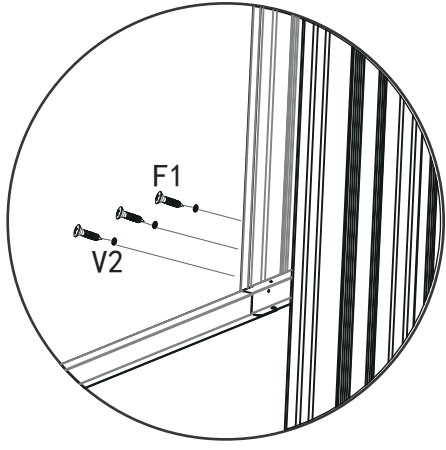
NO.	PART	Qty.
WS2A		1
F1		4
V2		4







NO.	PART	Qty.
WS2A		1
F1		4
V2		4

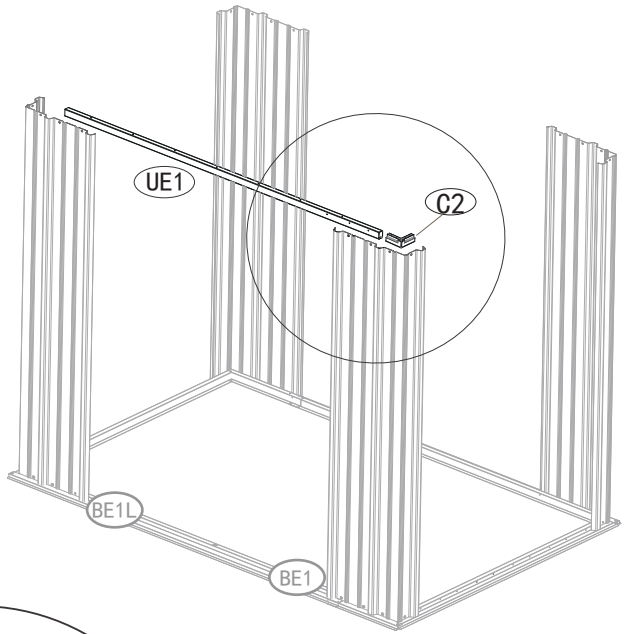
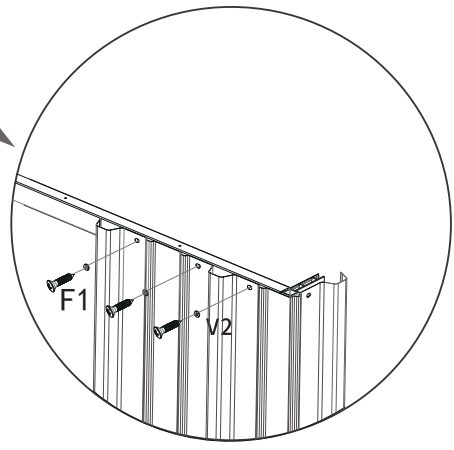
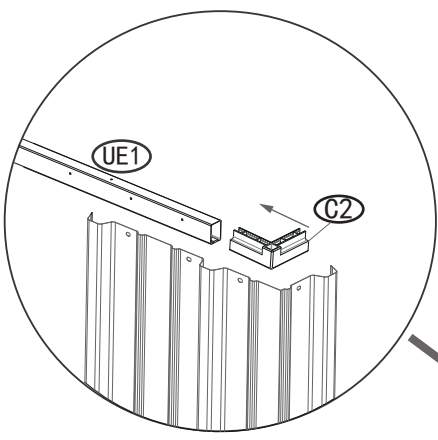







NO.	PART	Qty.
WS2A		1
F1		4
V2		4

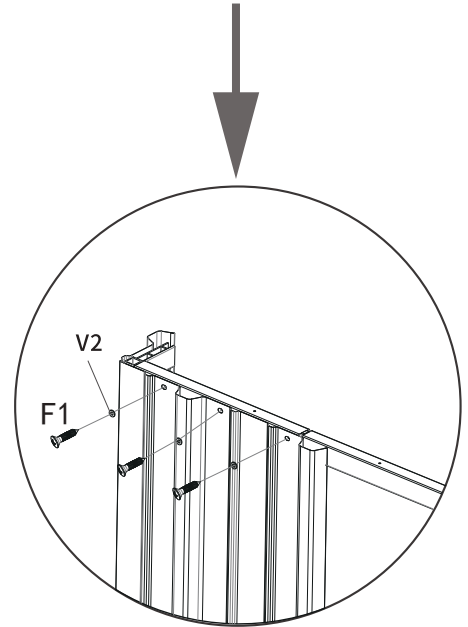
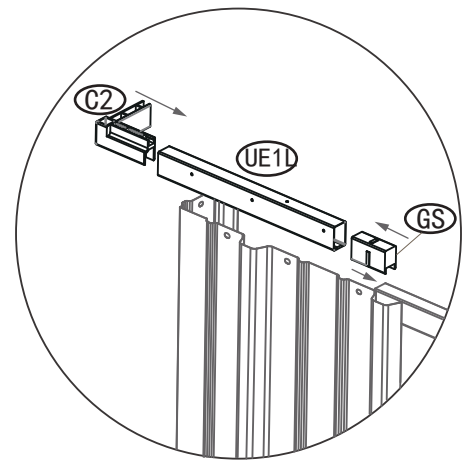
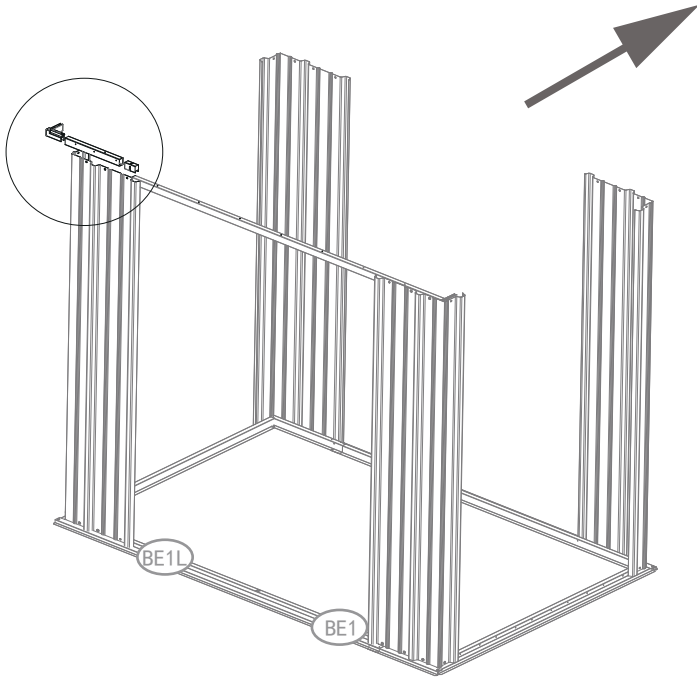




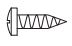

NO.	PART	Qty.
UE1		1
C2		1
F1		3
V2		3

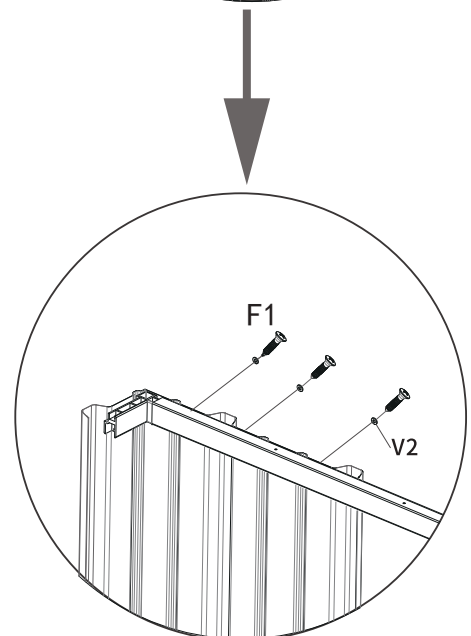
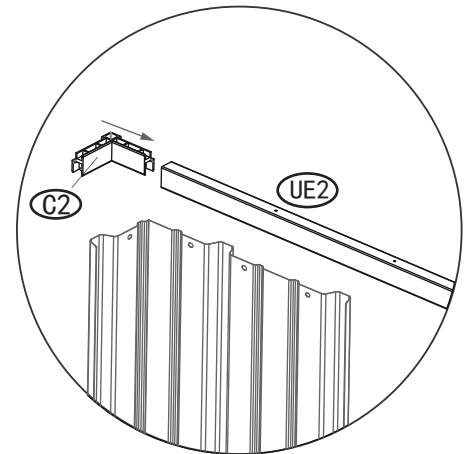
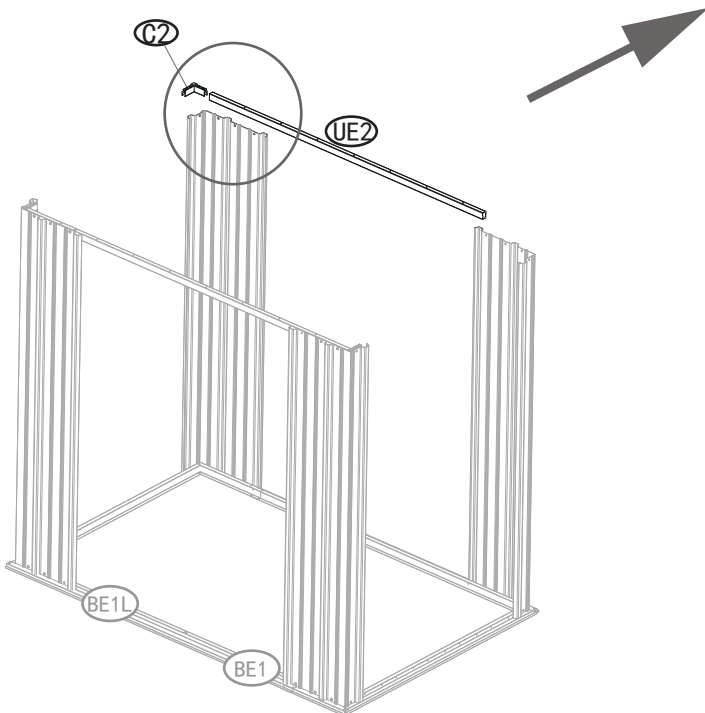
Pay attention to distinguishing the direction when installing



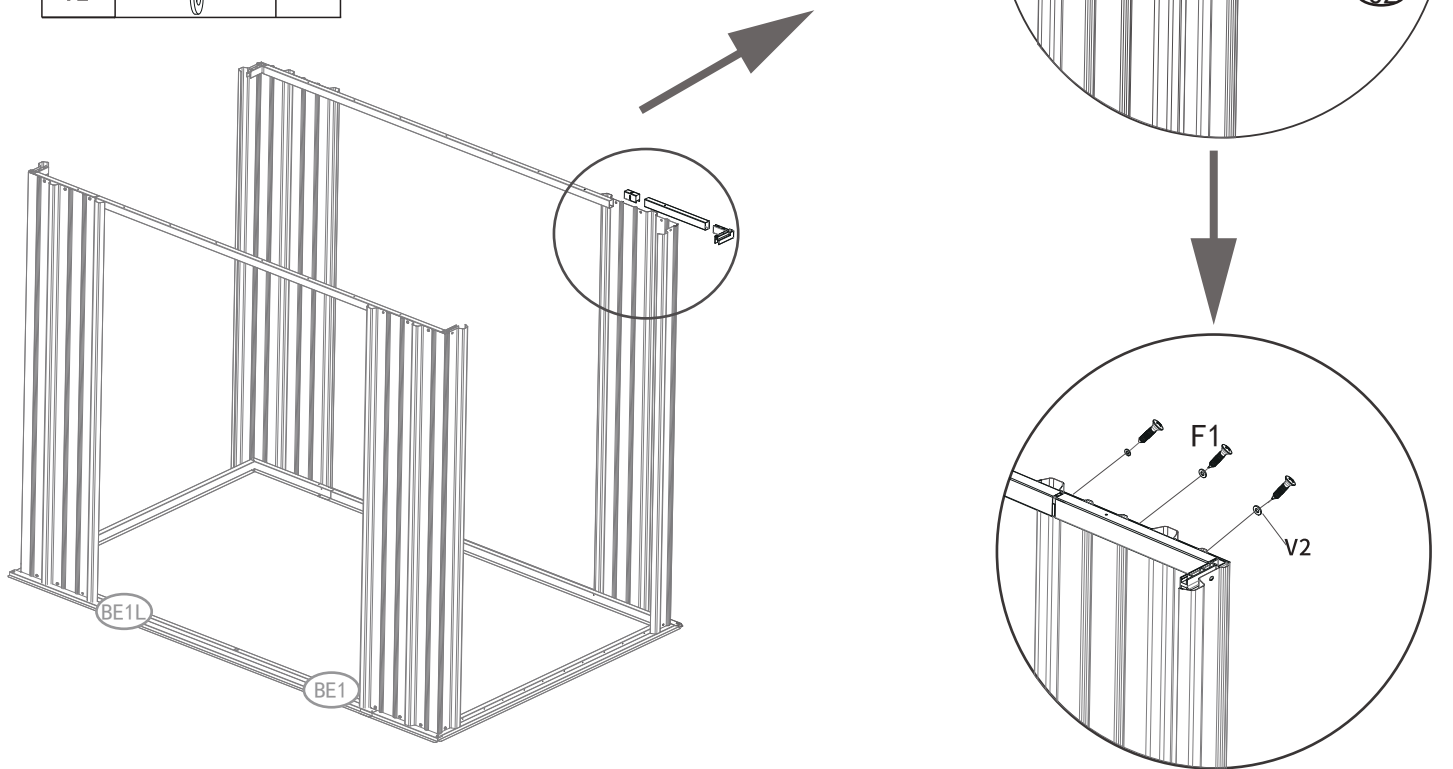
NO.	PART	Qty.
UE1L		1
C2		1
GS		1
F1		3
V2		3



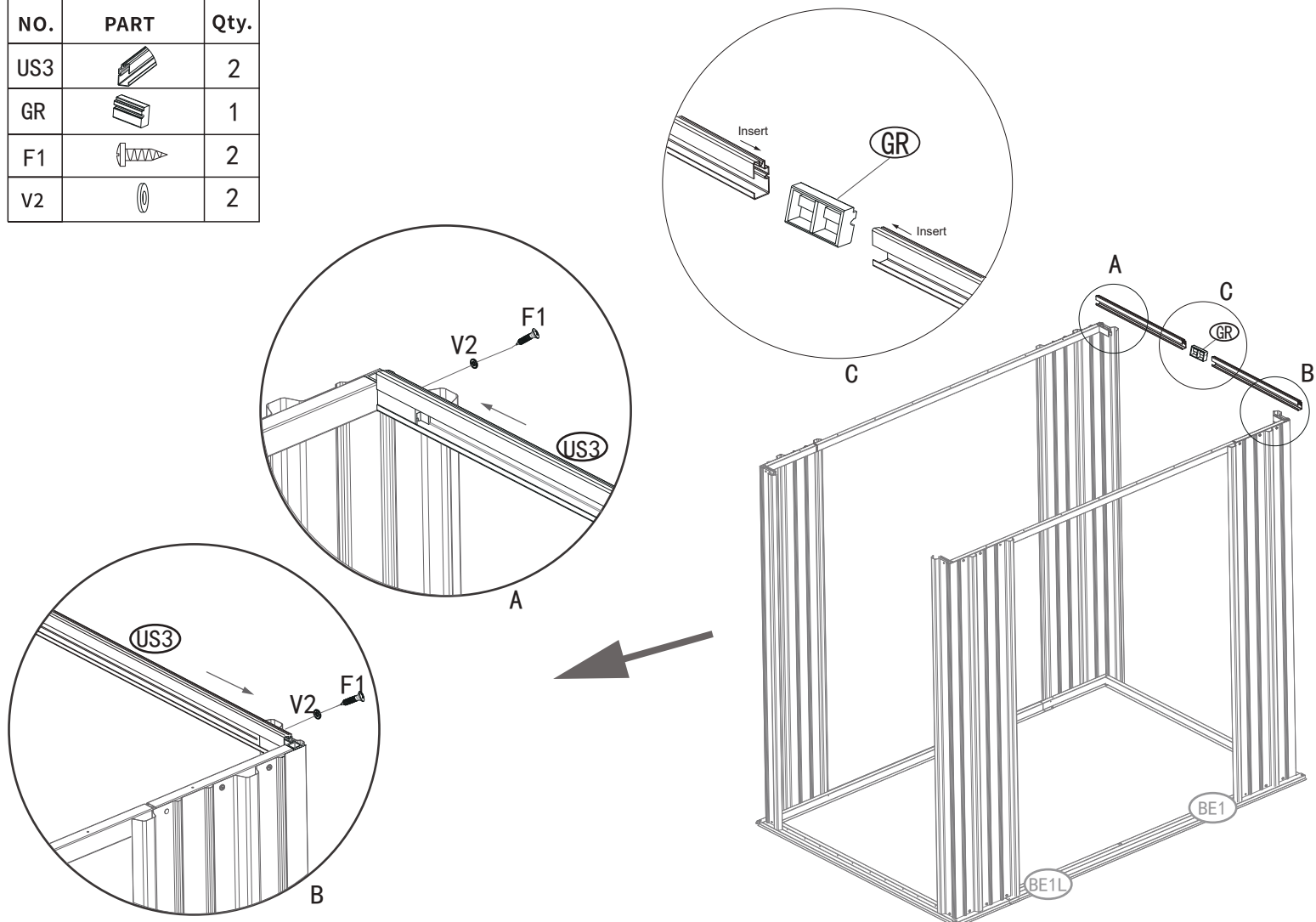
NO.	PART	Qty.
UE2		1
C2		1
F1		3
V2		3







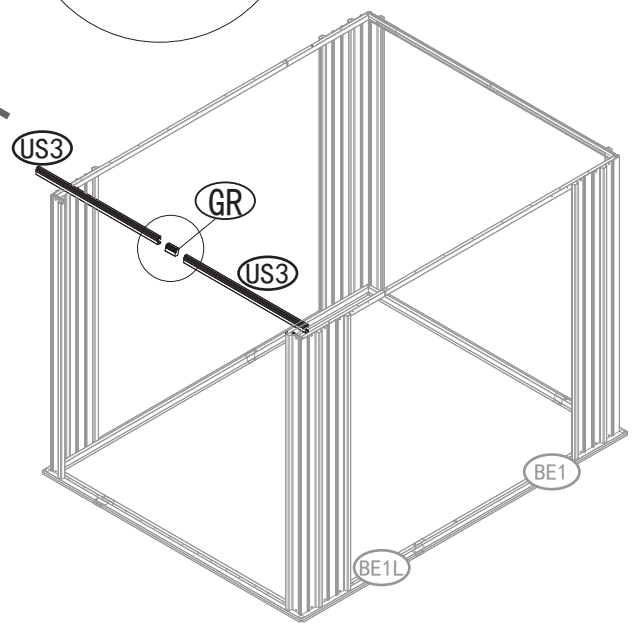
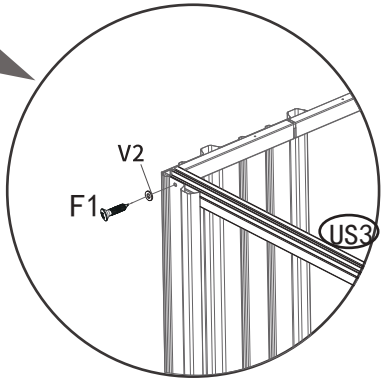
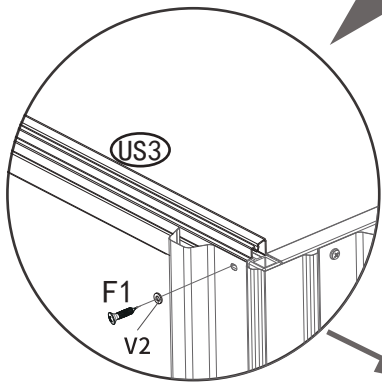
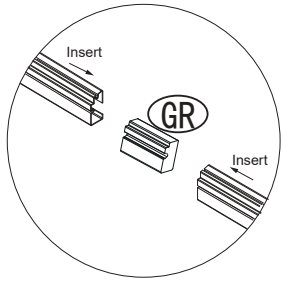
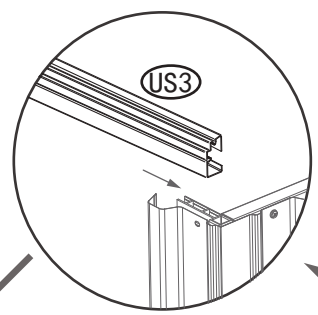
NO.	PART	Qty.
UE2R		1
C2		1
GS		1
F1		3
V2		3






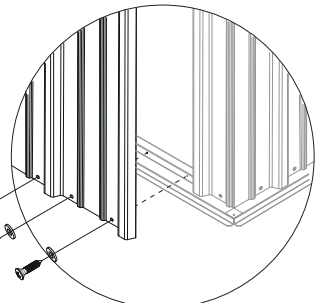
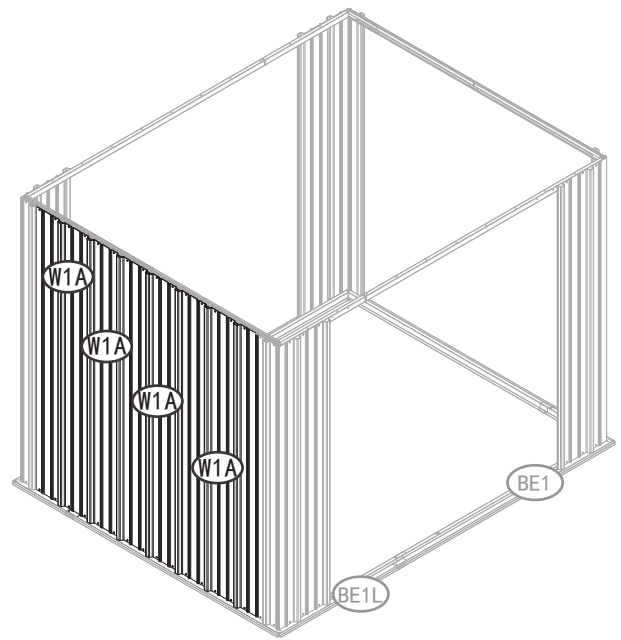
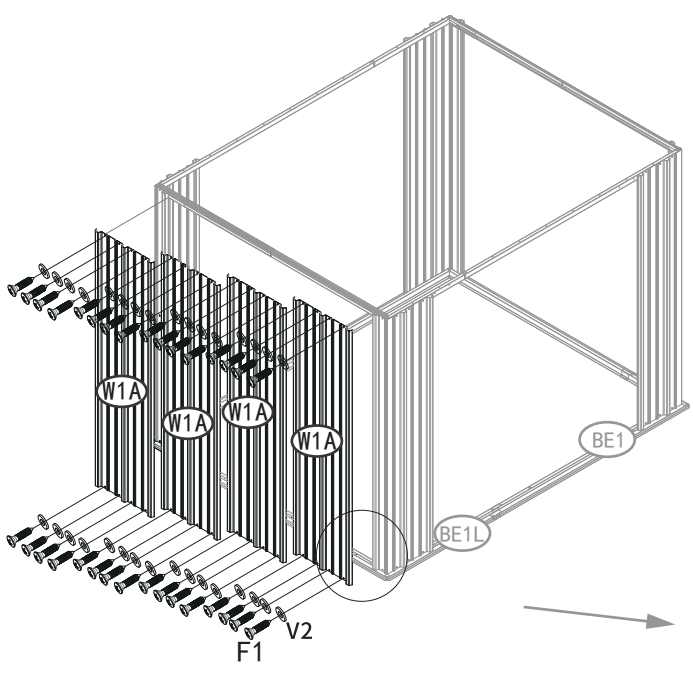
NO.	PART	Qty.
US3		2
GR		1
F1		2
V2		2


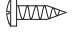



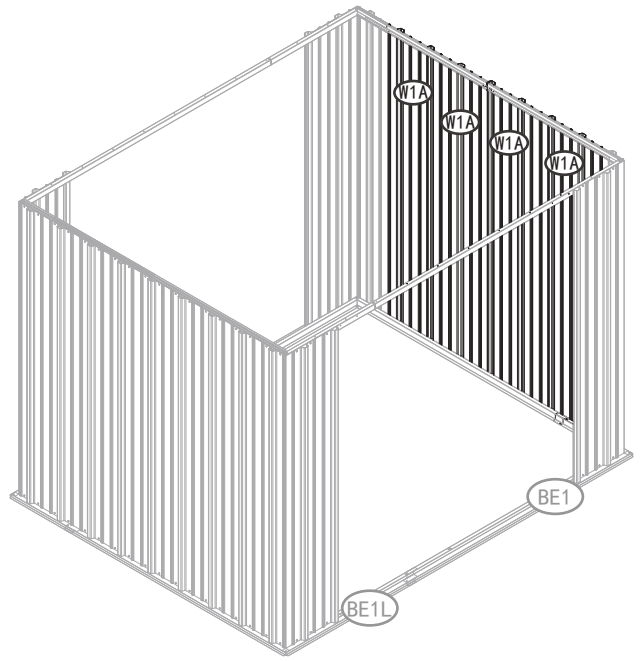
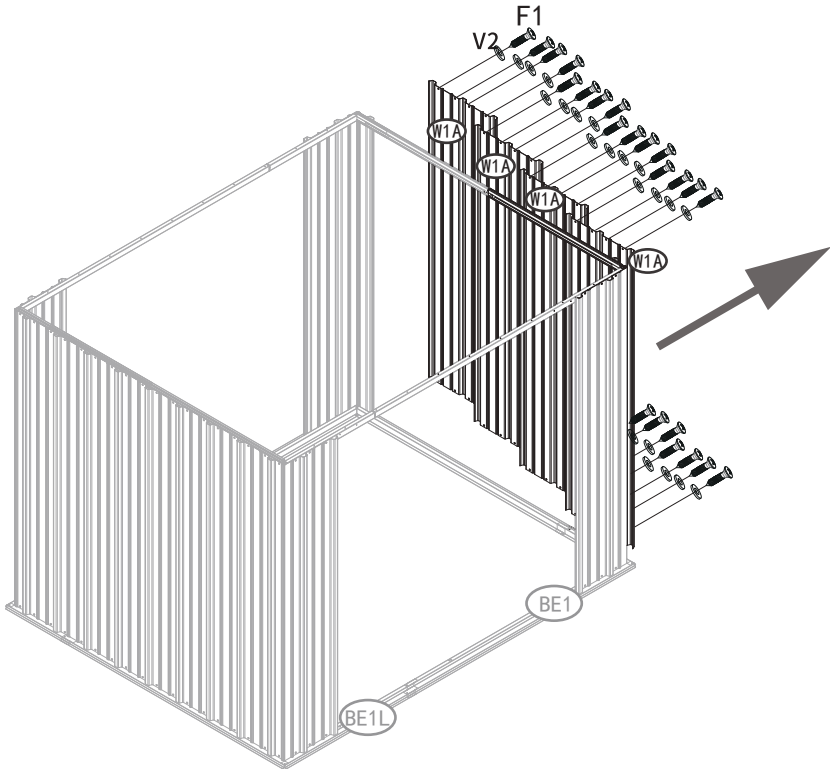
NO.	PART	Qty.
US3		2
GR		1
F1		2
V2		2






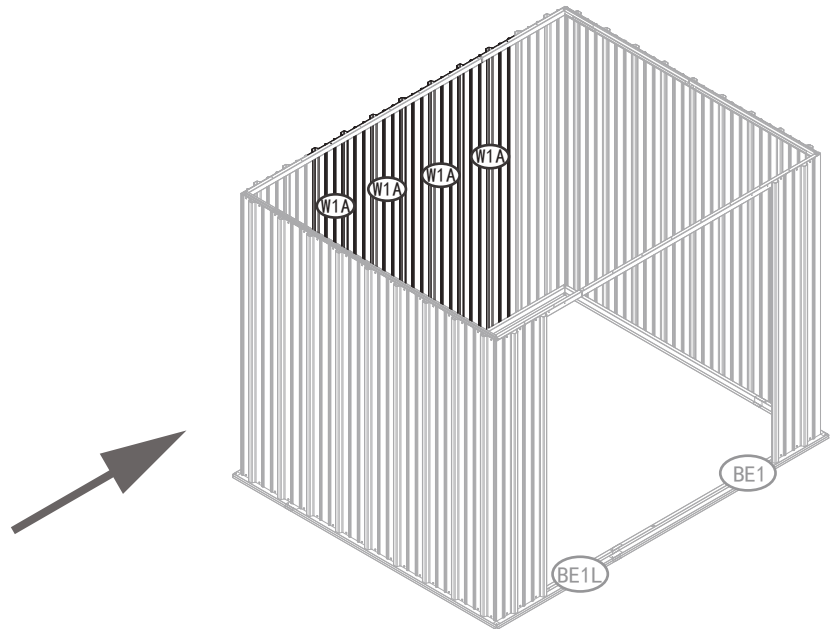
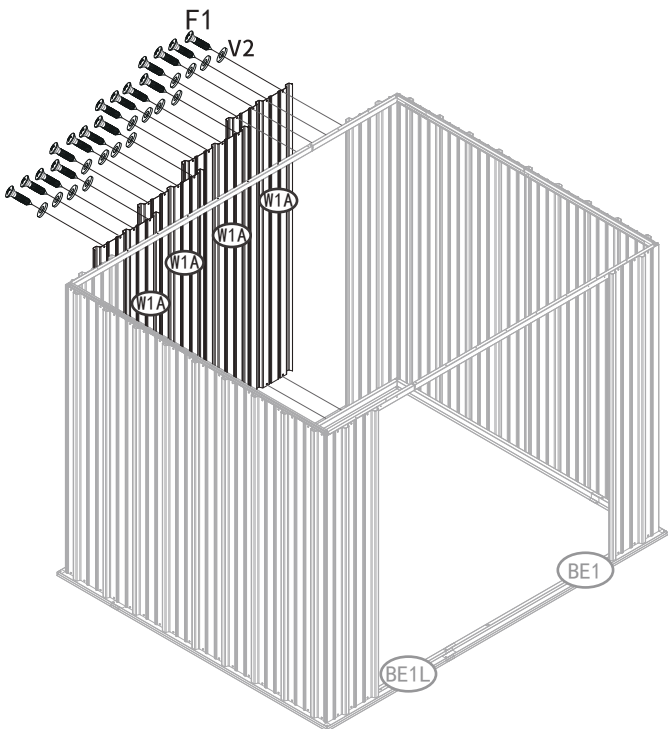
NO.	PART	Qty.
W1A		4
F1		32
V2		32






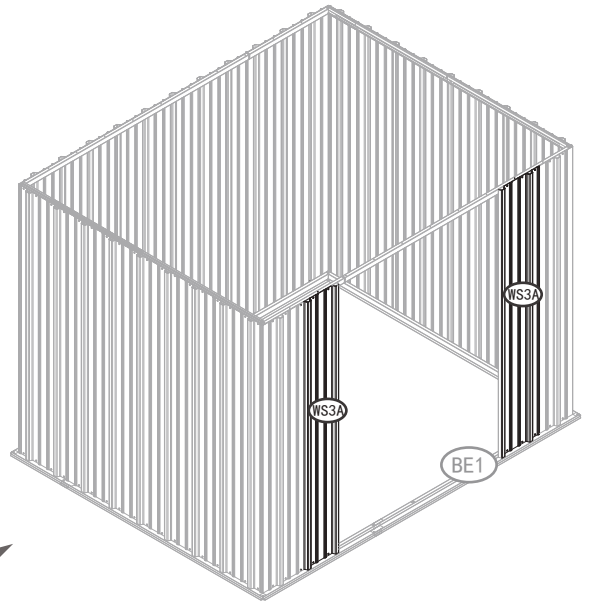
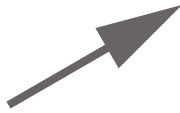
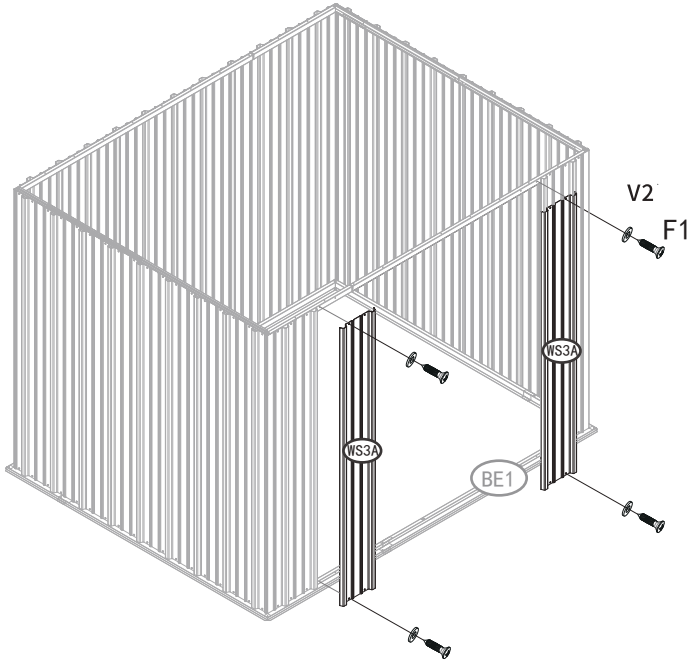
NO.	PART	Qty.
W1A		4
F1		32
V2		32







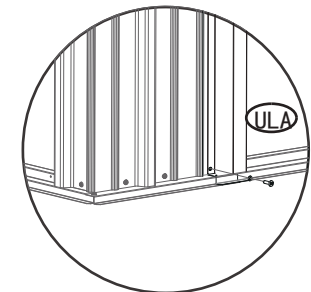
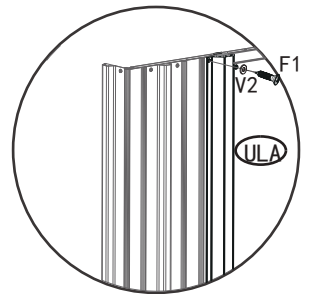
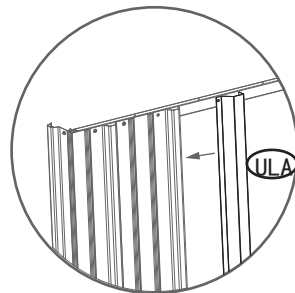
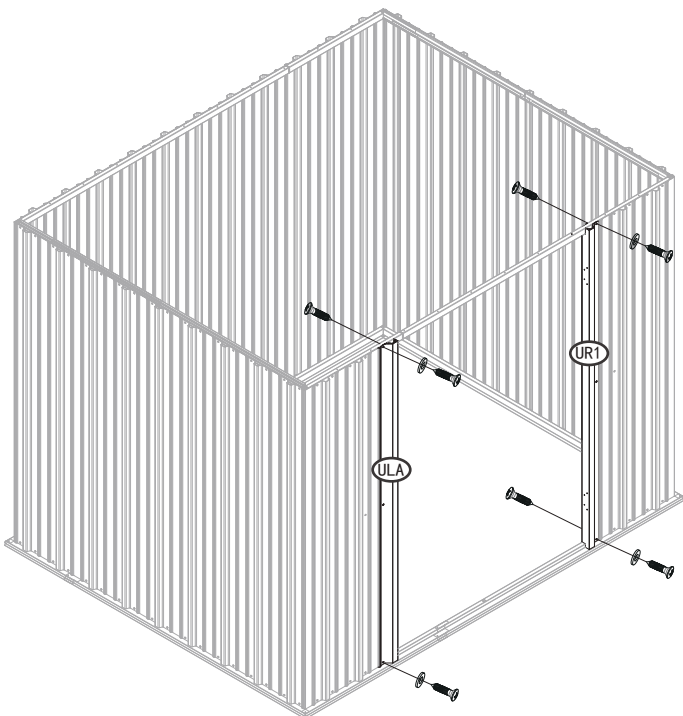
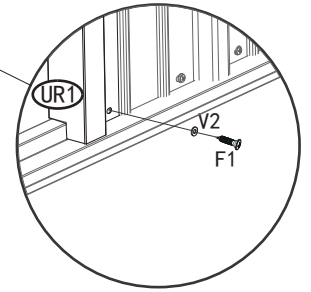
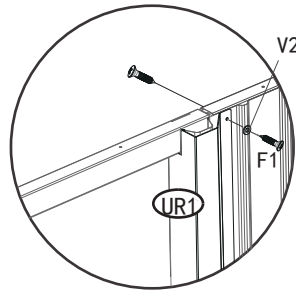
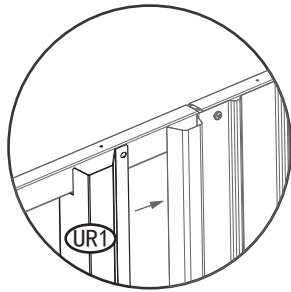
NO.	PART	Qty.
W1A		4
F1		32
V2		32

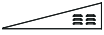
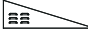







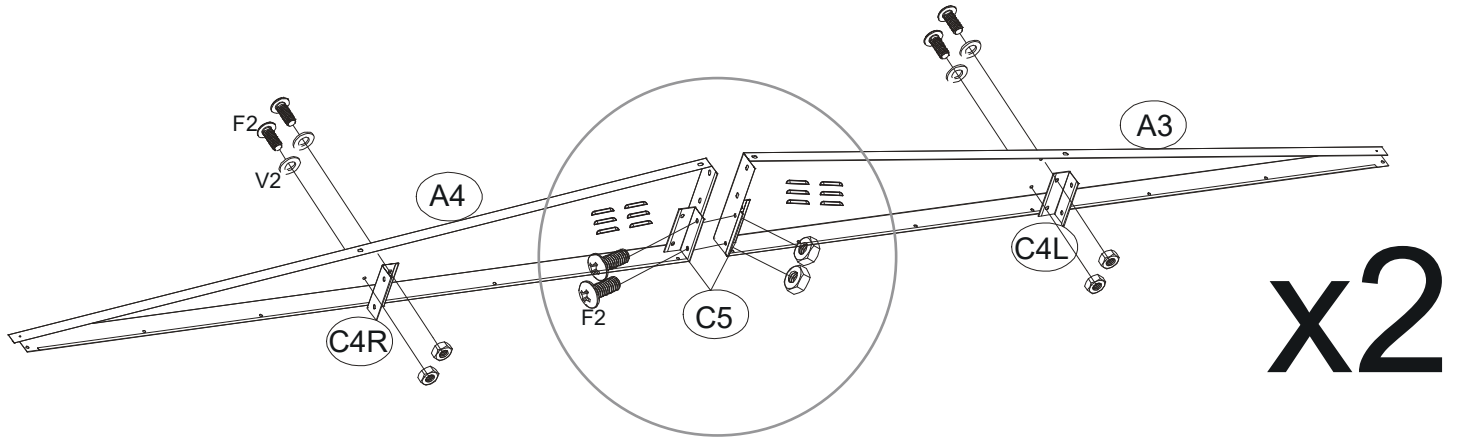
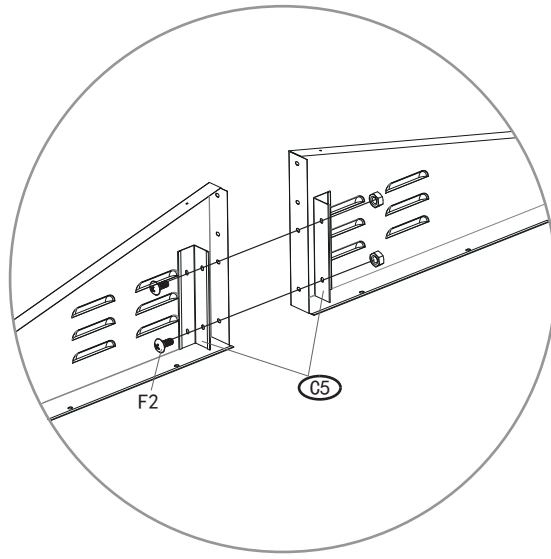
NO.	PART	Qty.
WS3A		2
F1		4
V2		4



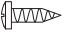

NO.	PART	Qty.
ULA		1
UR1		1
F1		8
V2		4

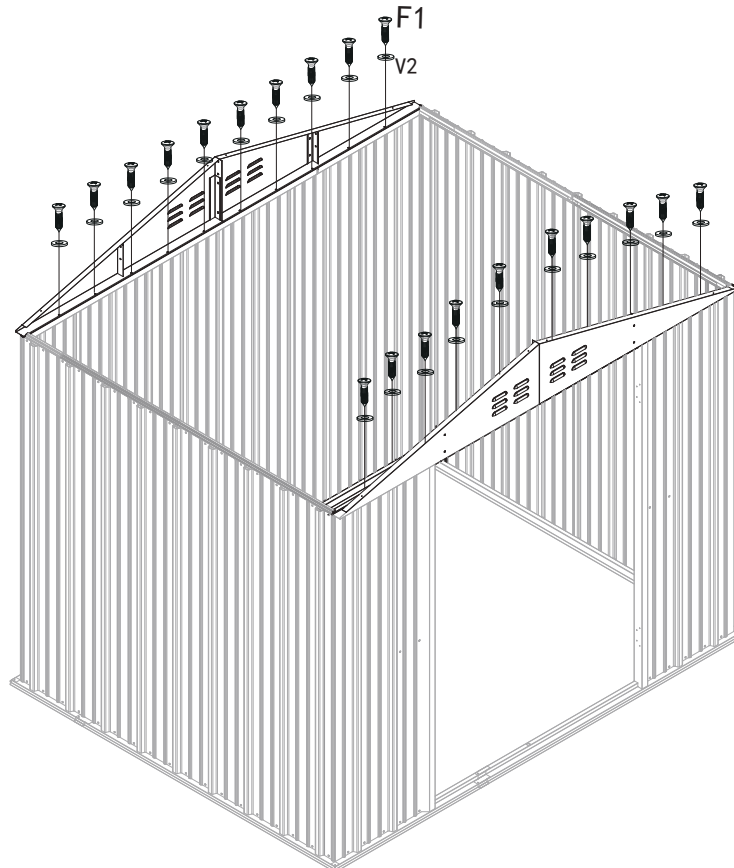





NO.	PART	Qty.
A3		2
A4		2
C4L		2
C4R		2
C5		4
F2		12
V2		4

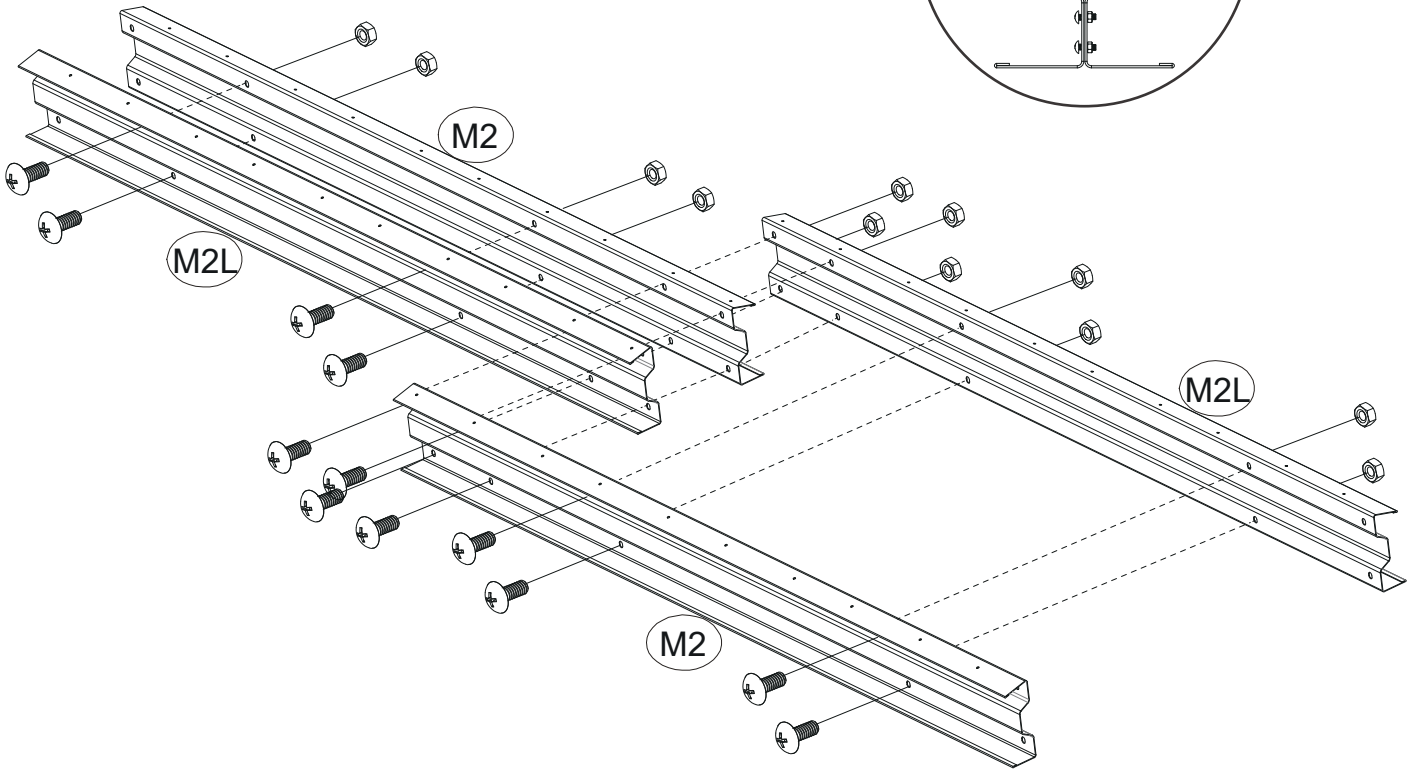
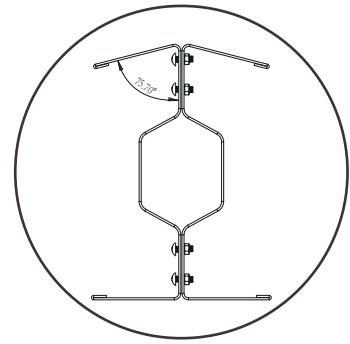



x2

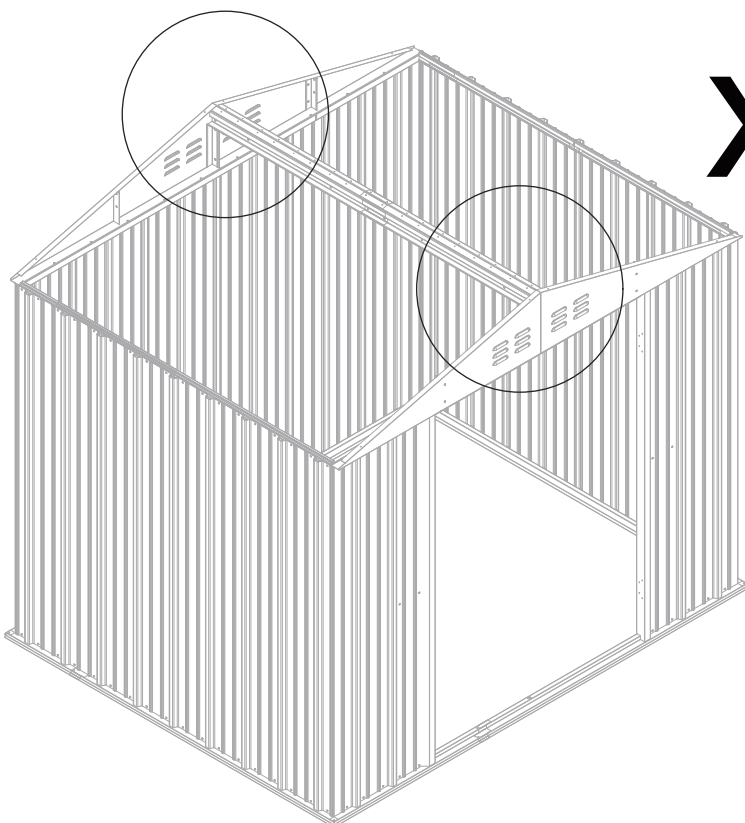
NO.	PART	Qty.
F1		20
V2		20



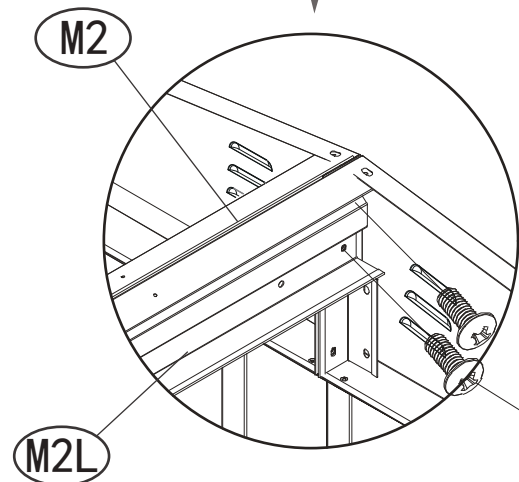
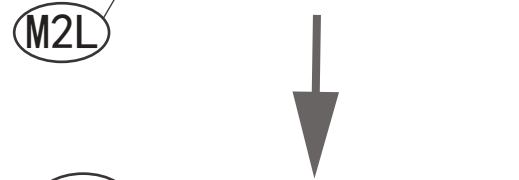
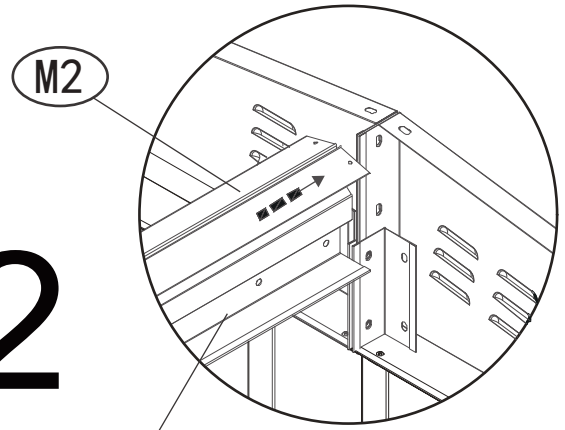
NO.	PART	Qty.
M2		2
M2L		2
F2		12






NO.	PART	Qty.
F2		4

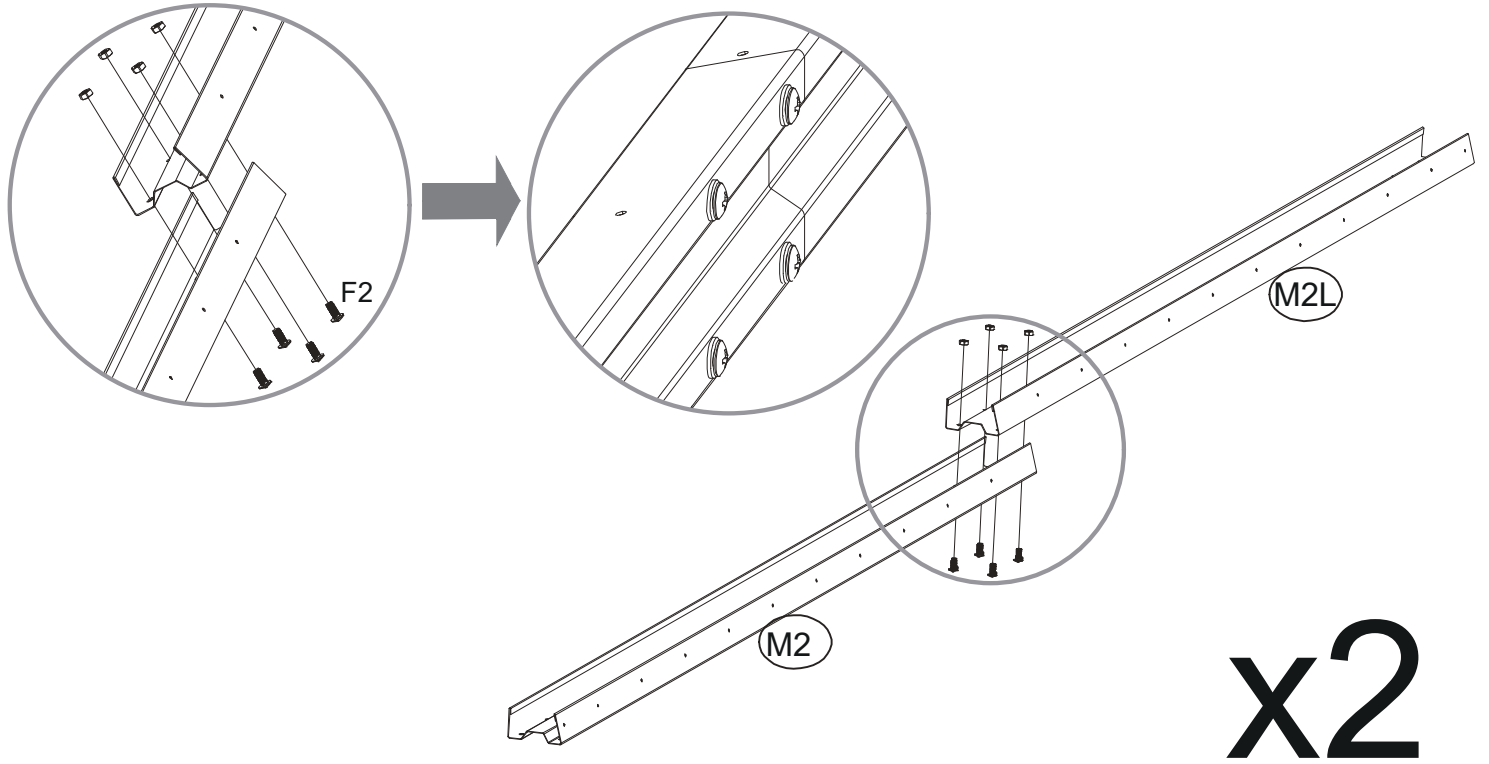





x2

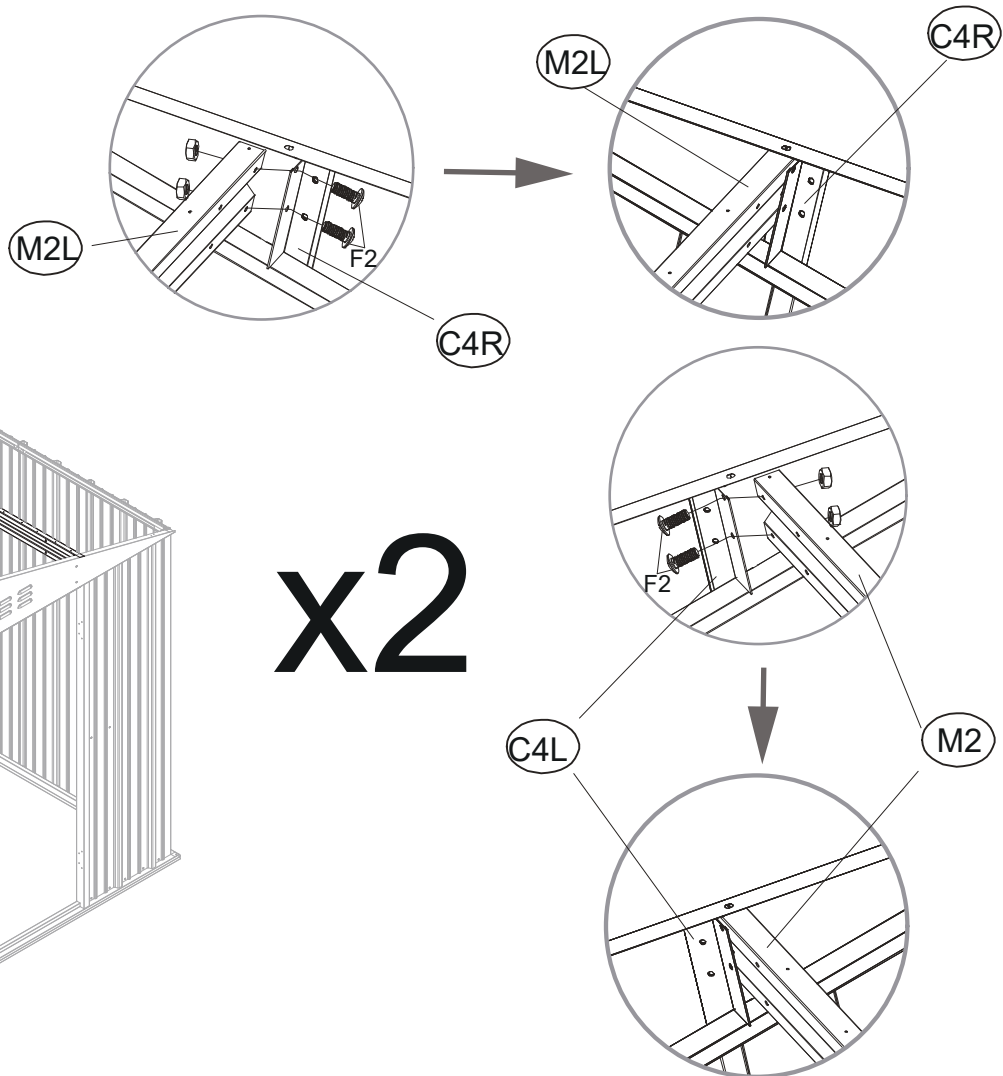
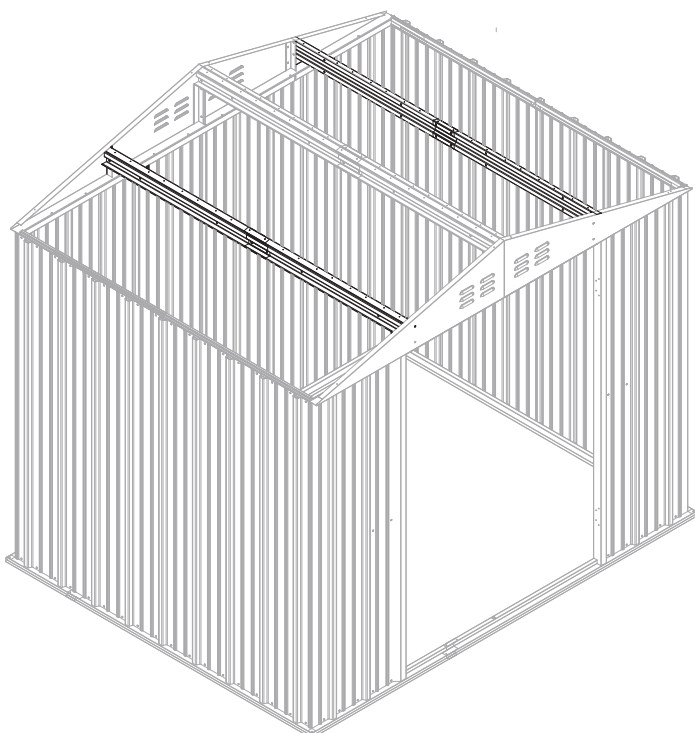






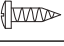

F2

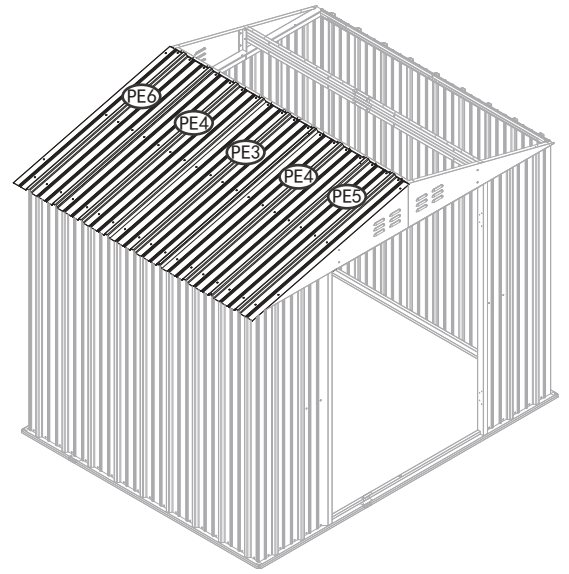
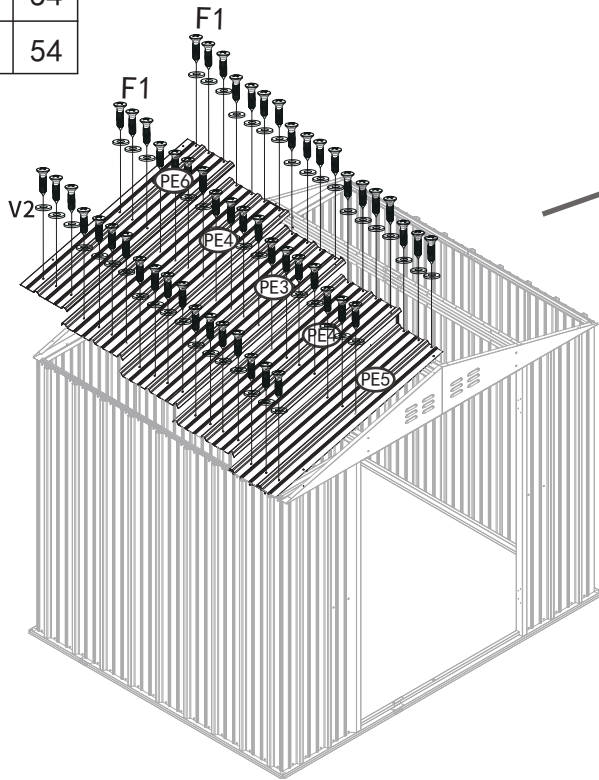
NO.	PART	Qty.
M2		2
M2L		2
F2		8









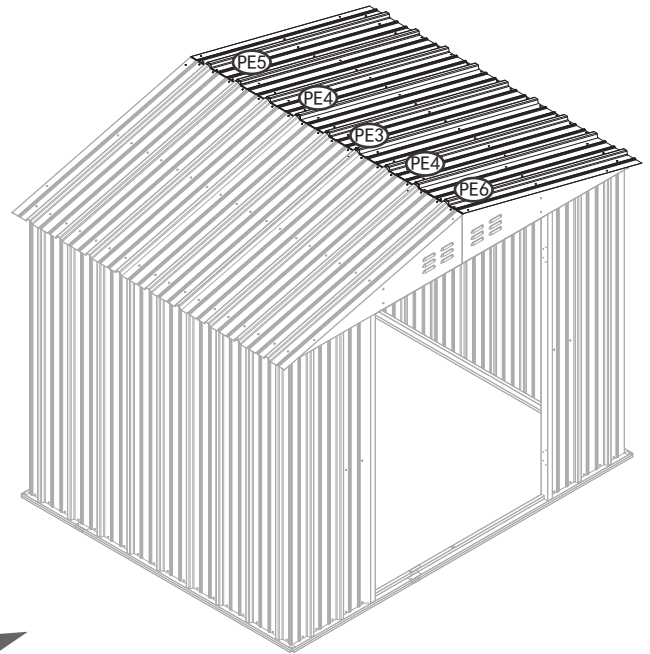
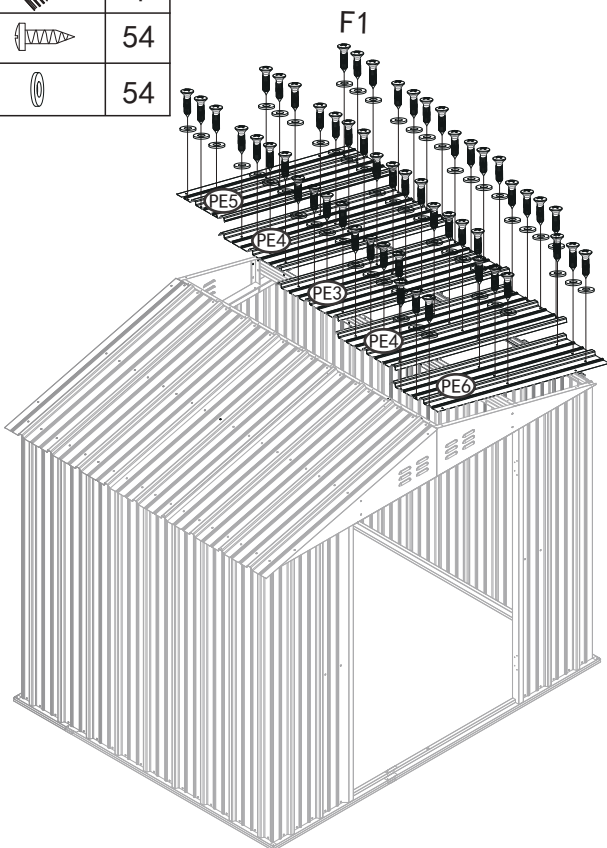
NO.	PART	Qty.
M2		2
M2L		2
F2		8



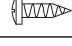



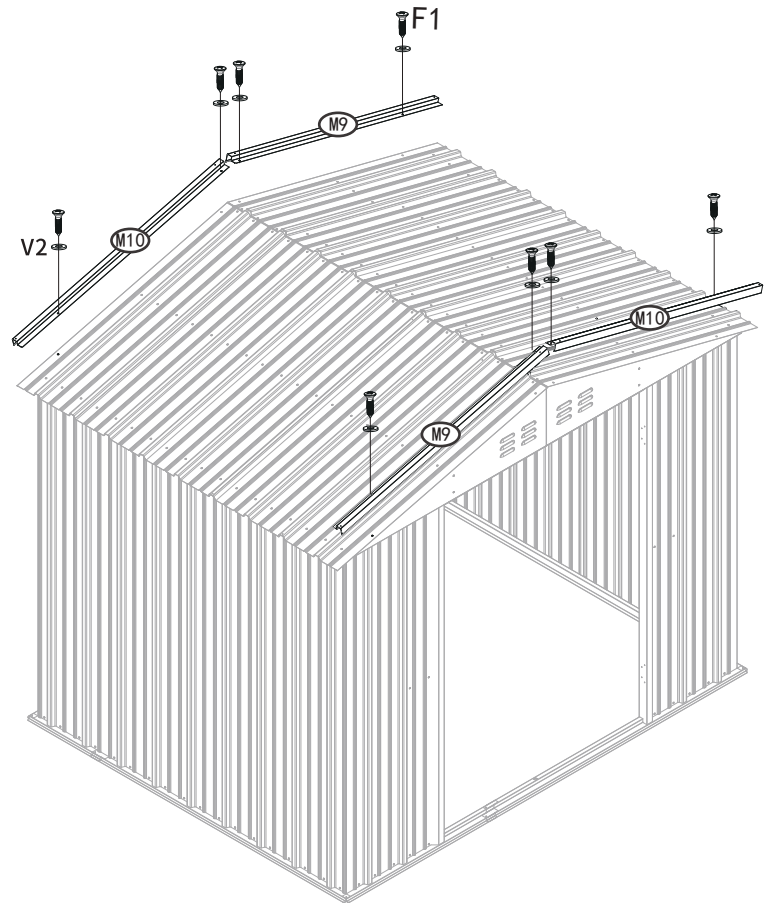
NO.	PART	Qty.
PE3		1
PE4		2
PE5		1
PE6		1
F1		54
V2		54



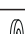


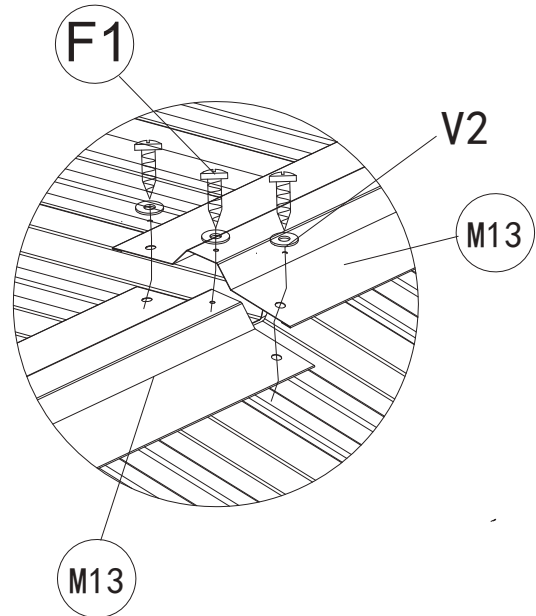
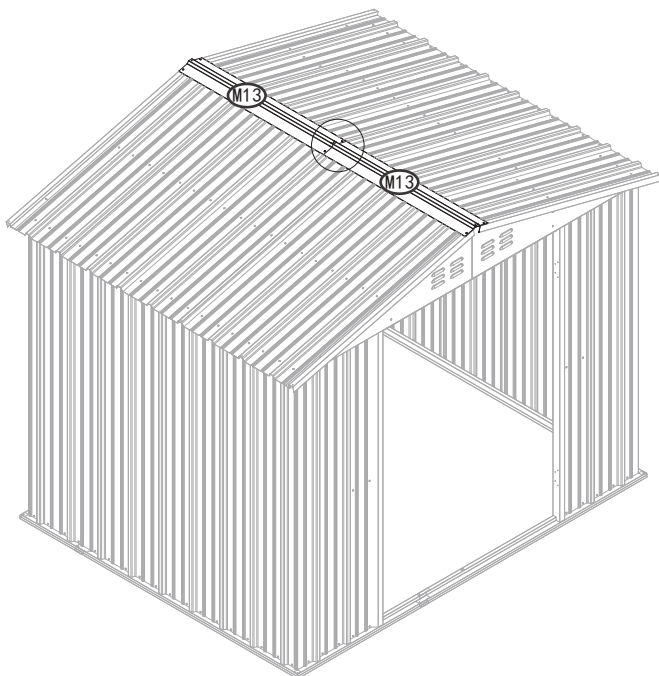
NO.	PART	Qty.
PE3		1
PE4		2
PE5		1
PE6		1
F1		54
V2		54





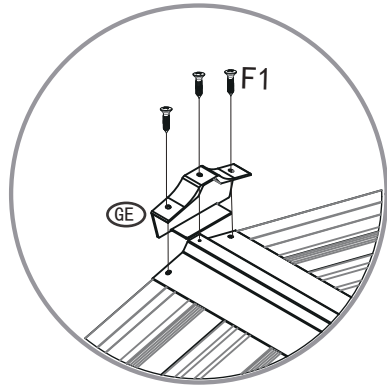
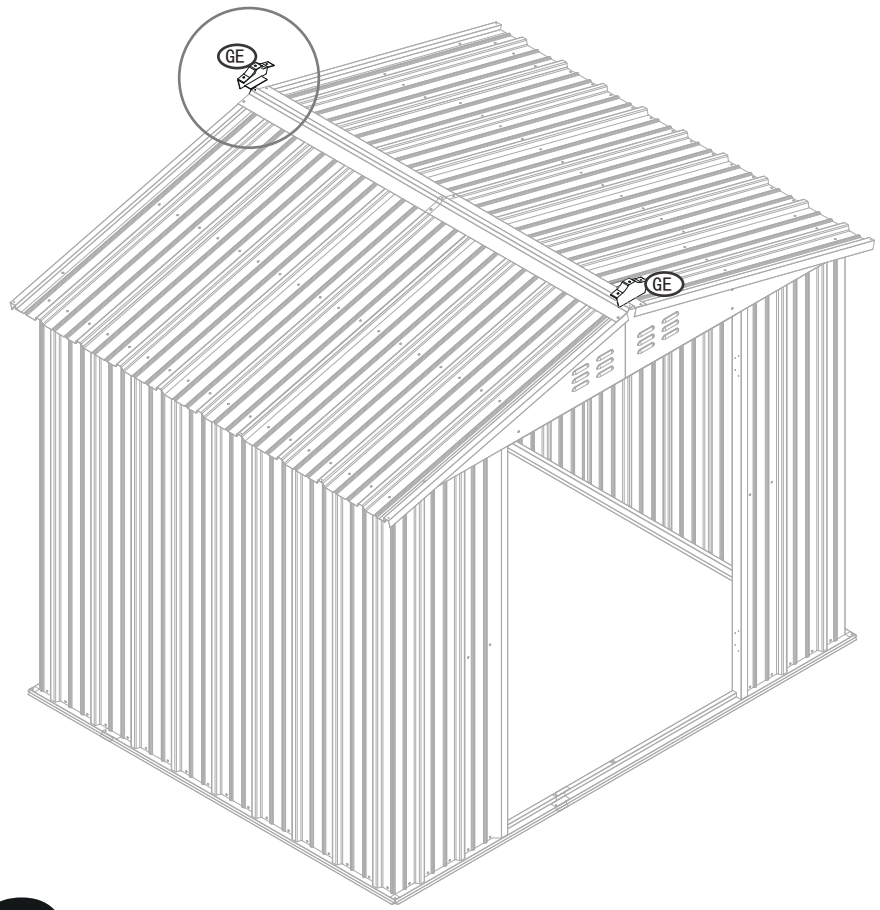
NO.	PART	Qty.
M9		2
M10		2
F1		8
V2		8




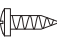

NO.	PART	Qty.
M13		2
F1		3
V2		3

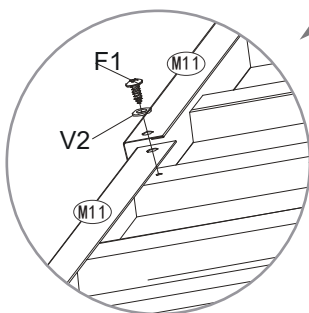
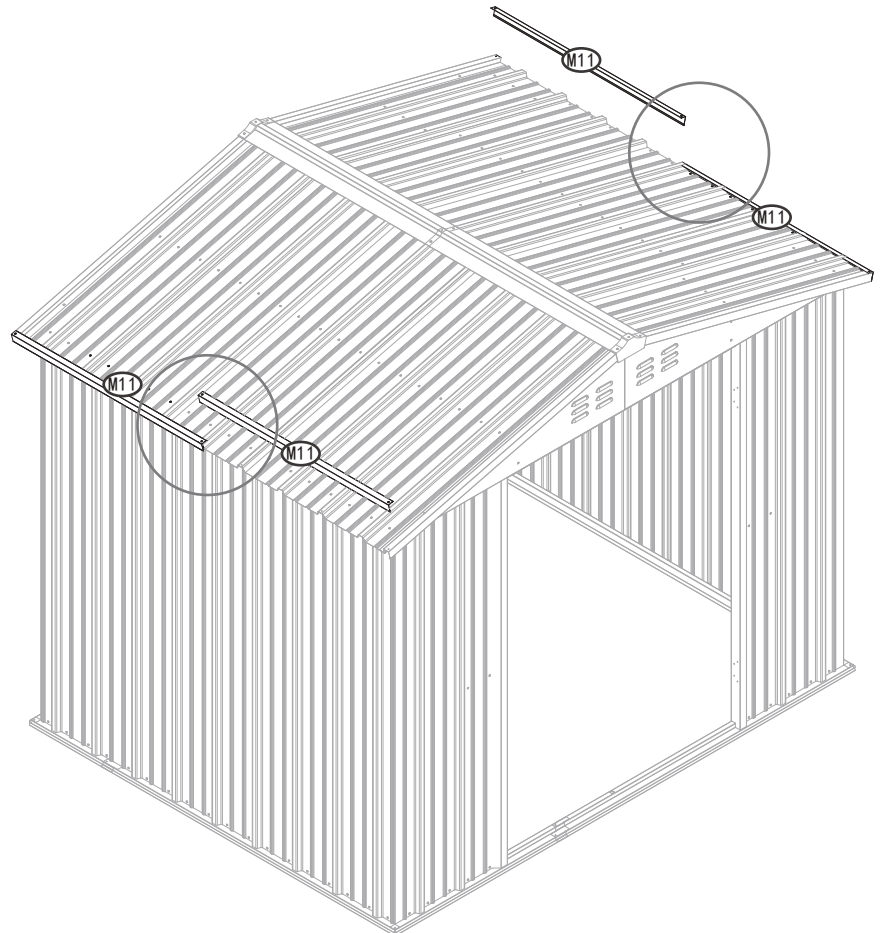


NO.	PART	Qty.
GE		2
F1		6


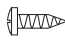


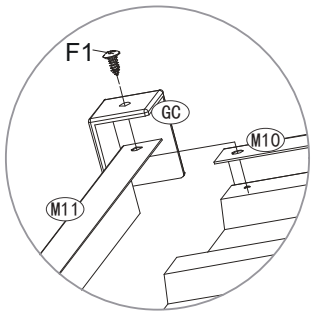
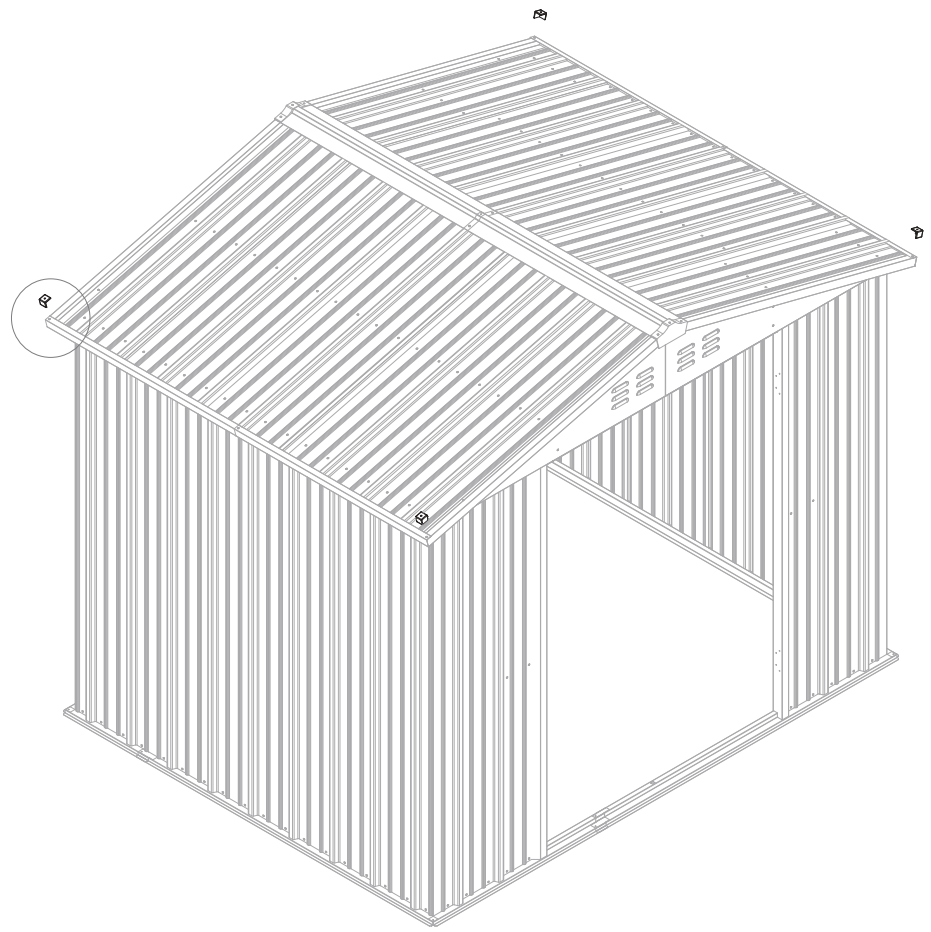
x2

NO.	PART	Qty.
M11		4
F1		2
V2		2

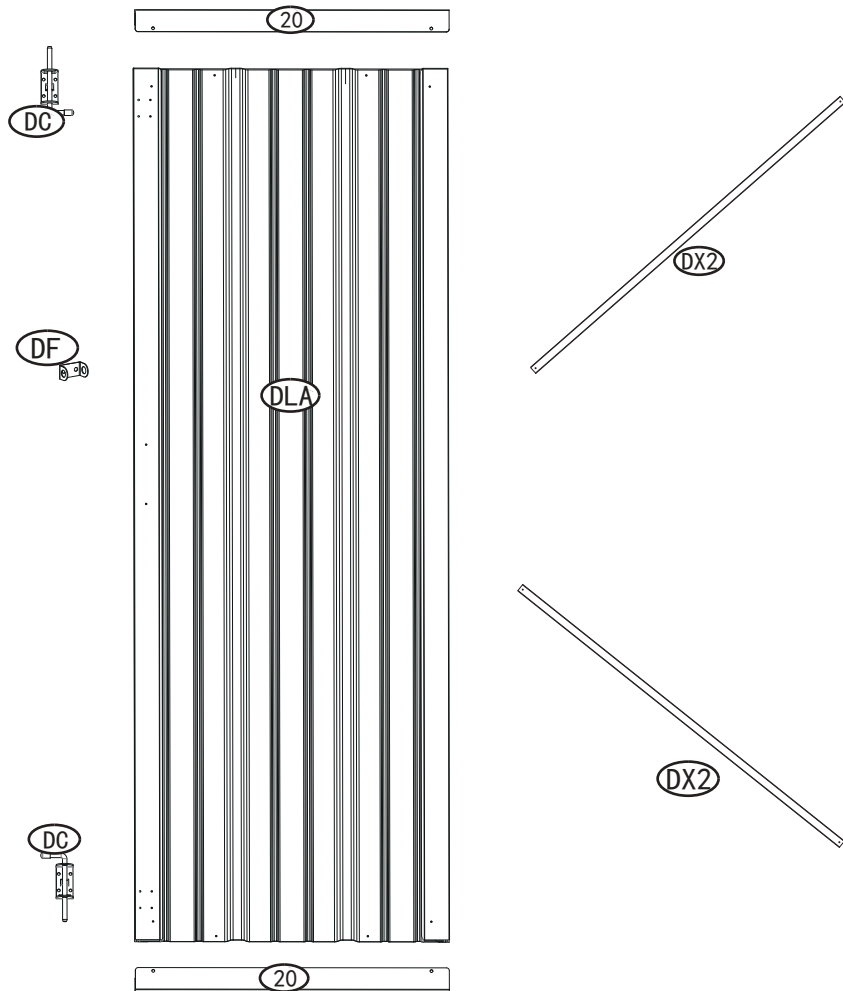




x2

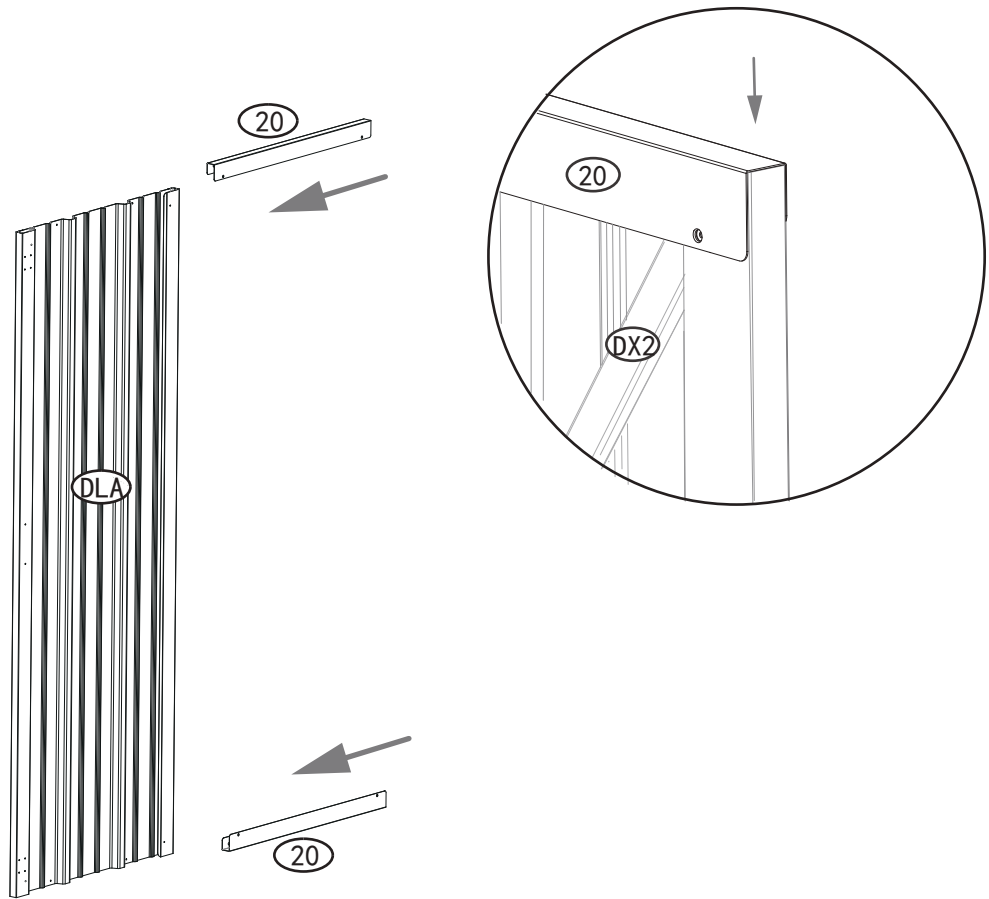
NO.	PART	Qty.
GC		4
F1		4







x4

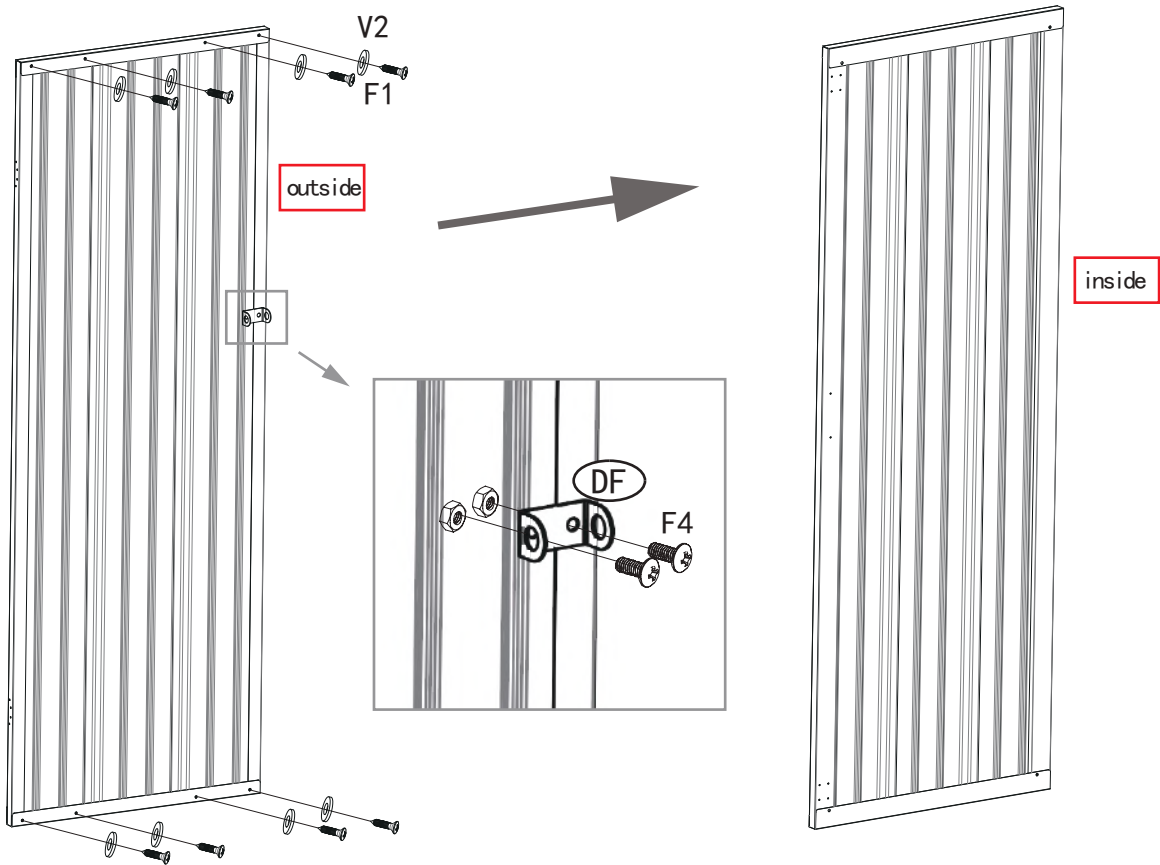







NO.	PART	Qty.
20		2
DLA		1

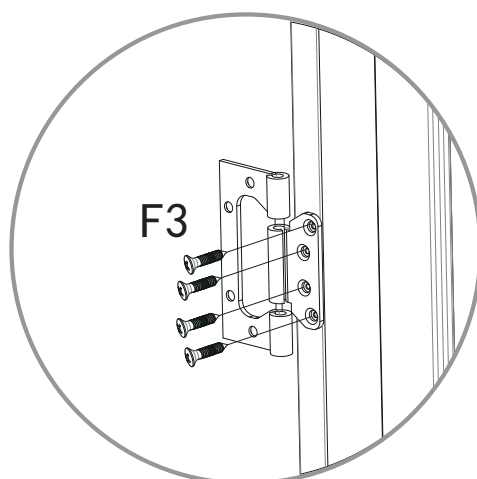
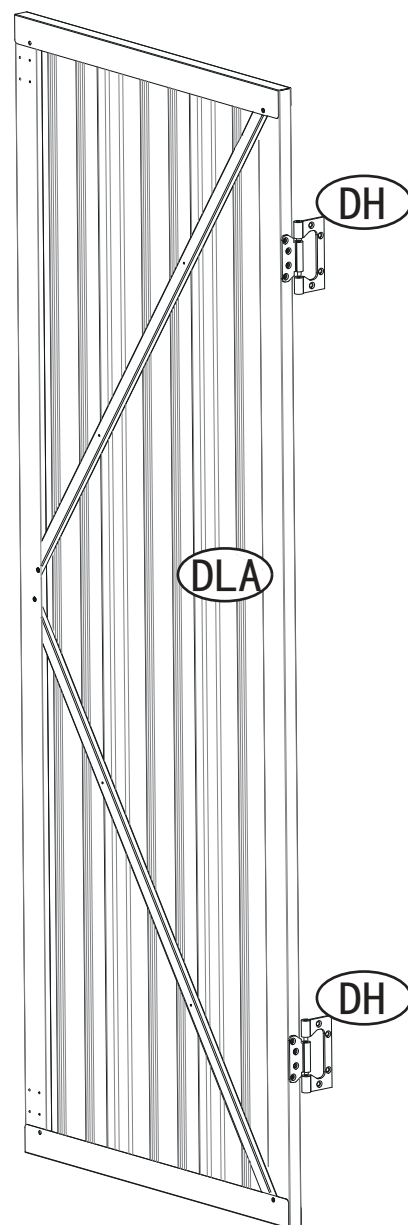
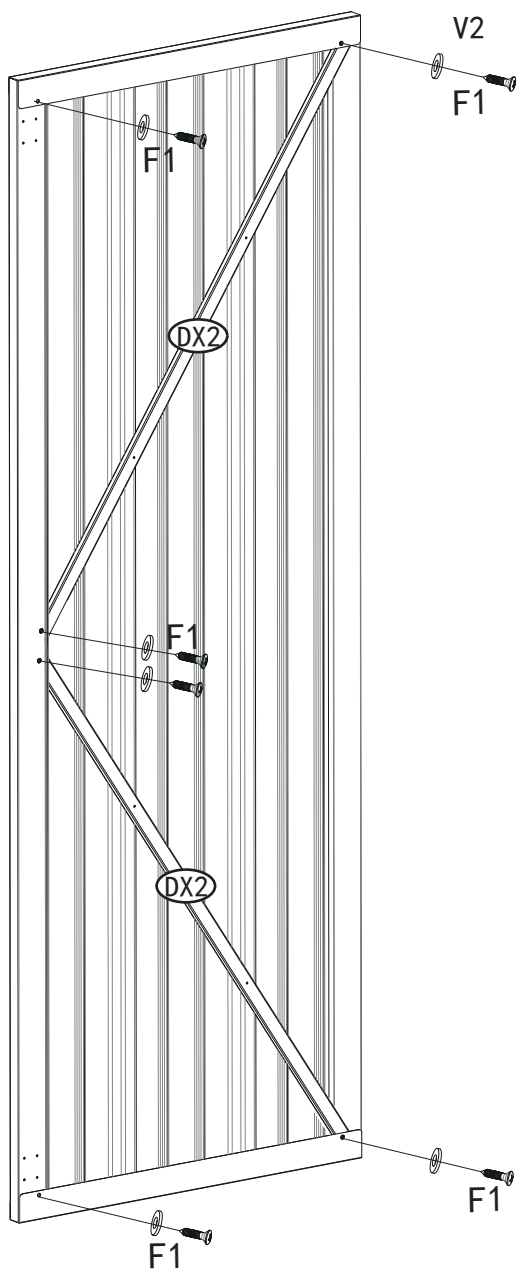


Note: make clear the front and back of the door panel



NO.	PART	Qty.
DF		1
F4		2
F1		8
V2		8

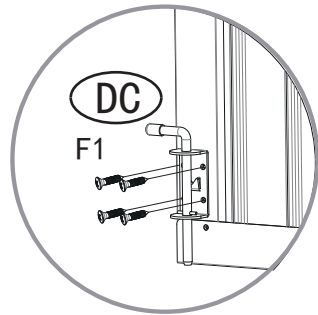
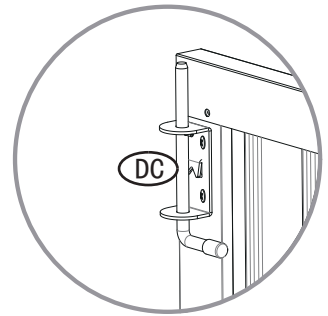
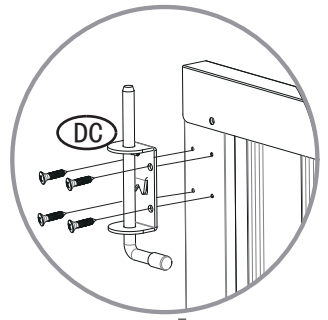
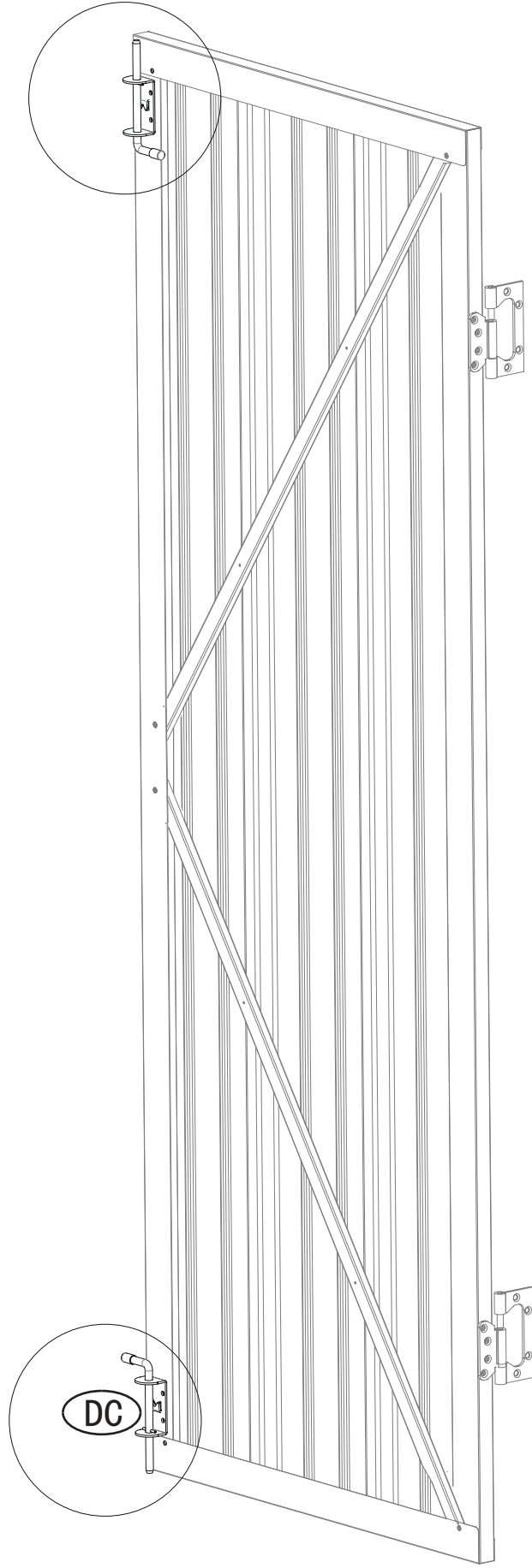


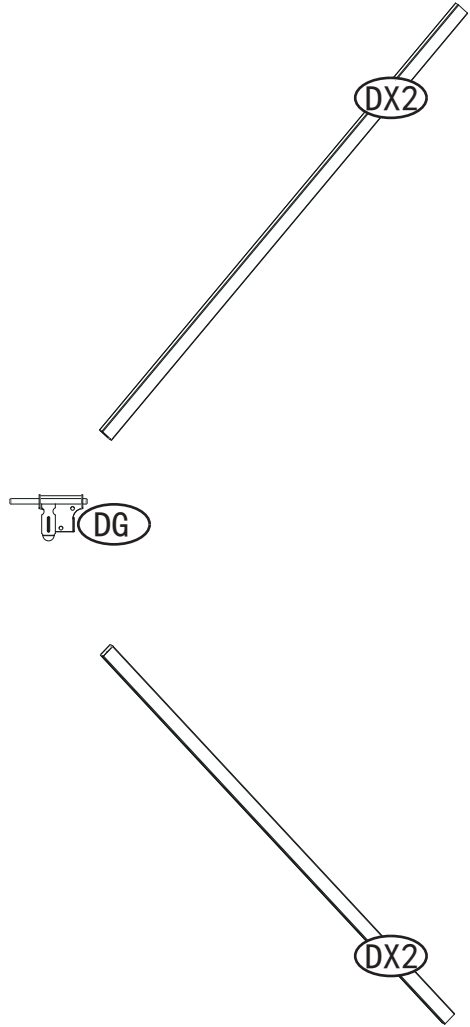
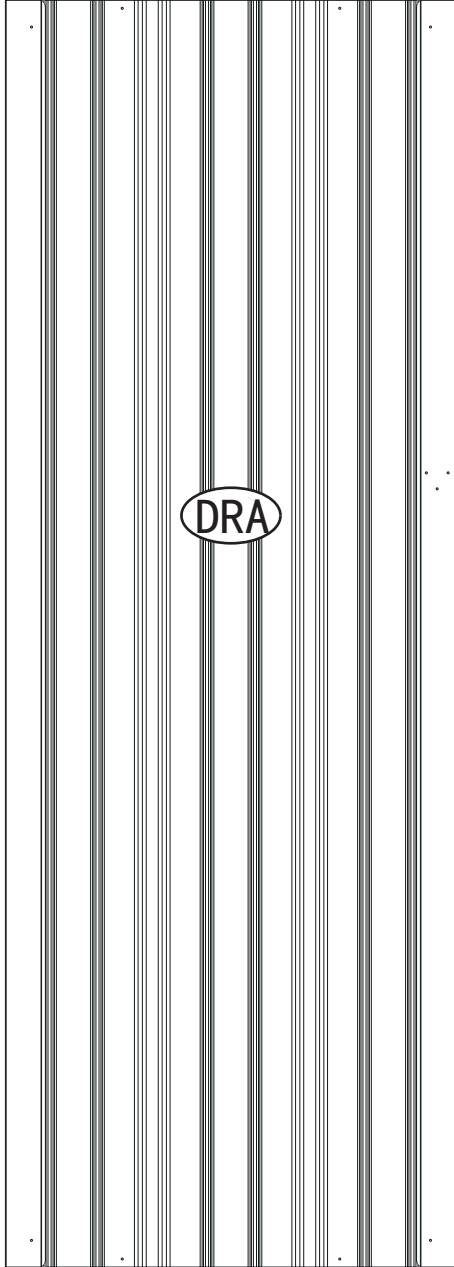
NO.	PART	Qty.
DX2		2
DH		2
F1		6
F3		8
V2		6





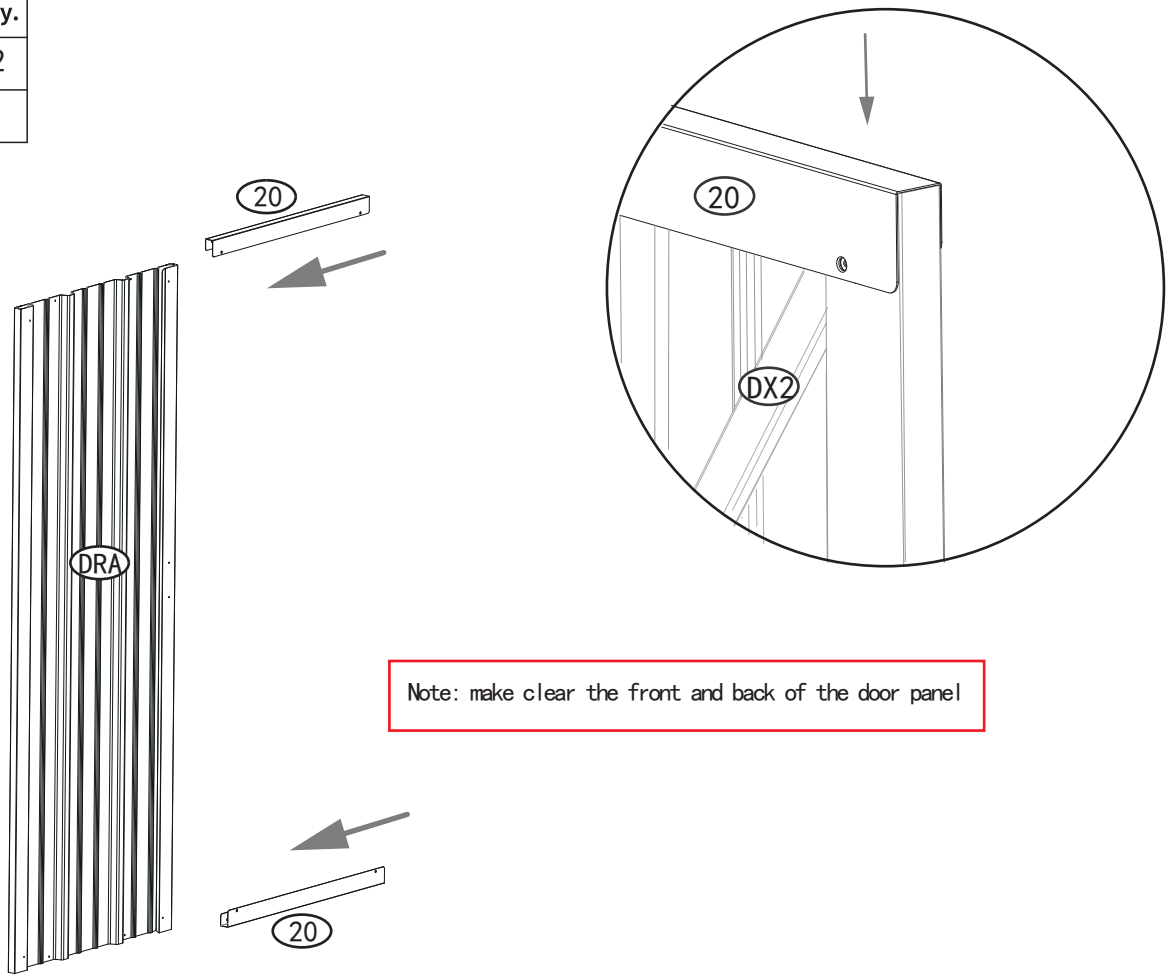
X2





NO.	PART	Qty.
DC		2
F1		8

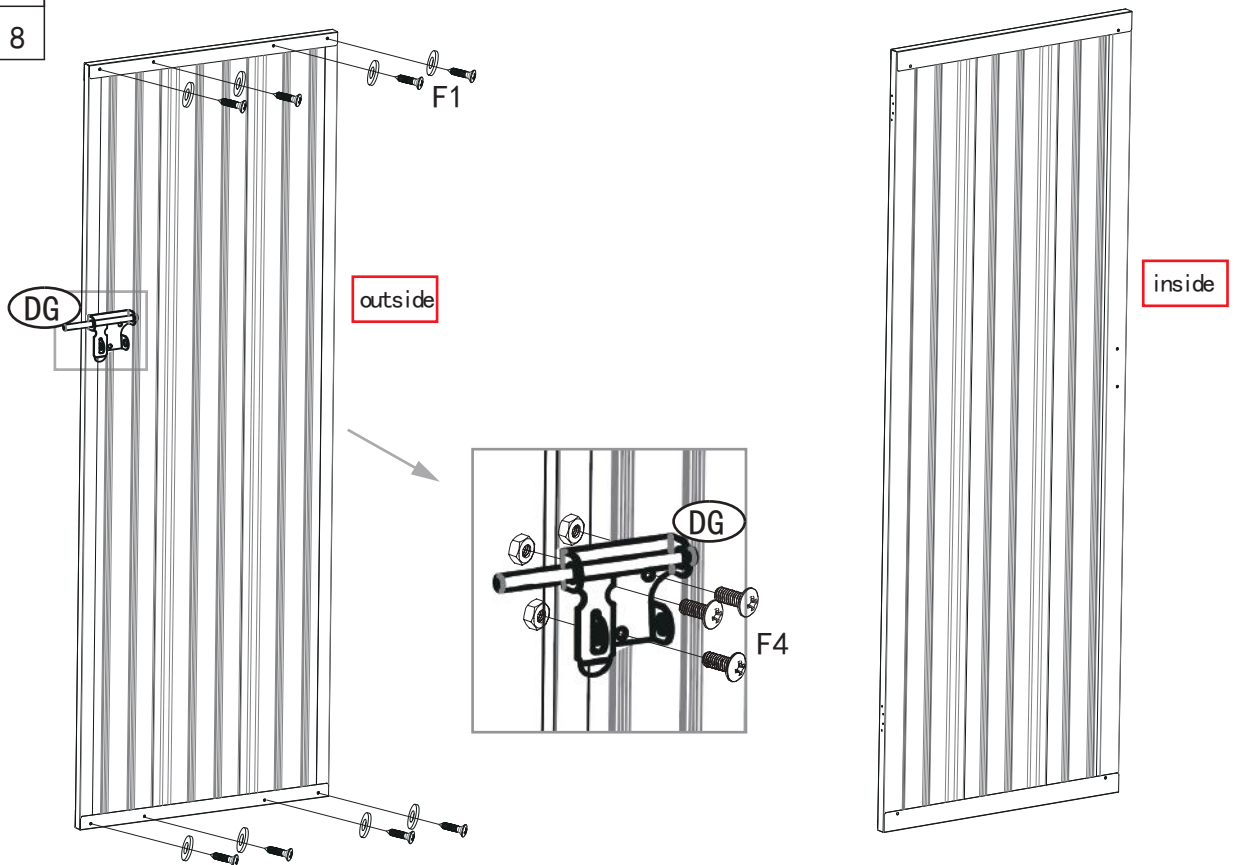









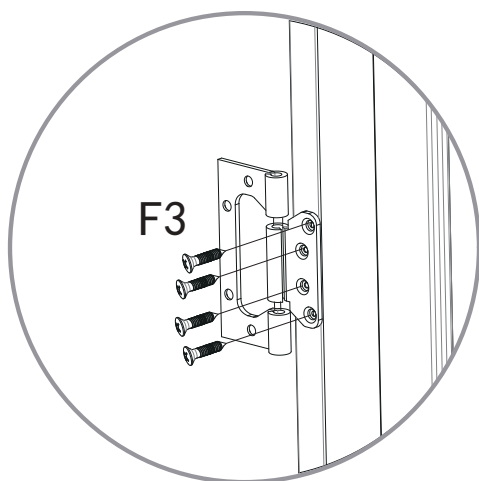
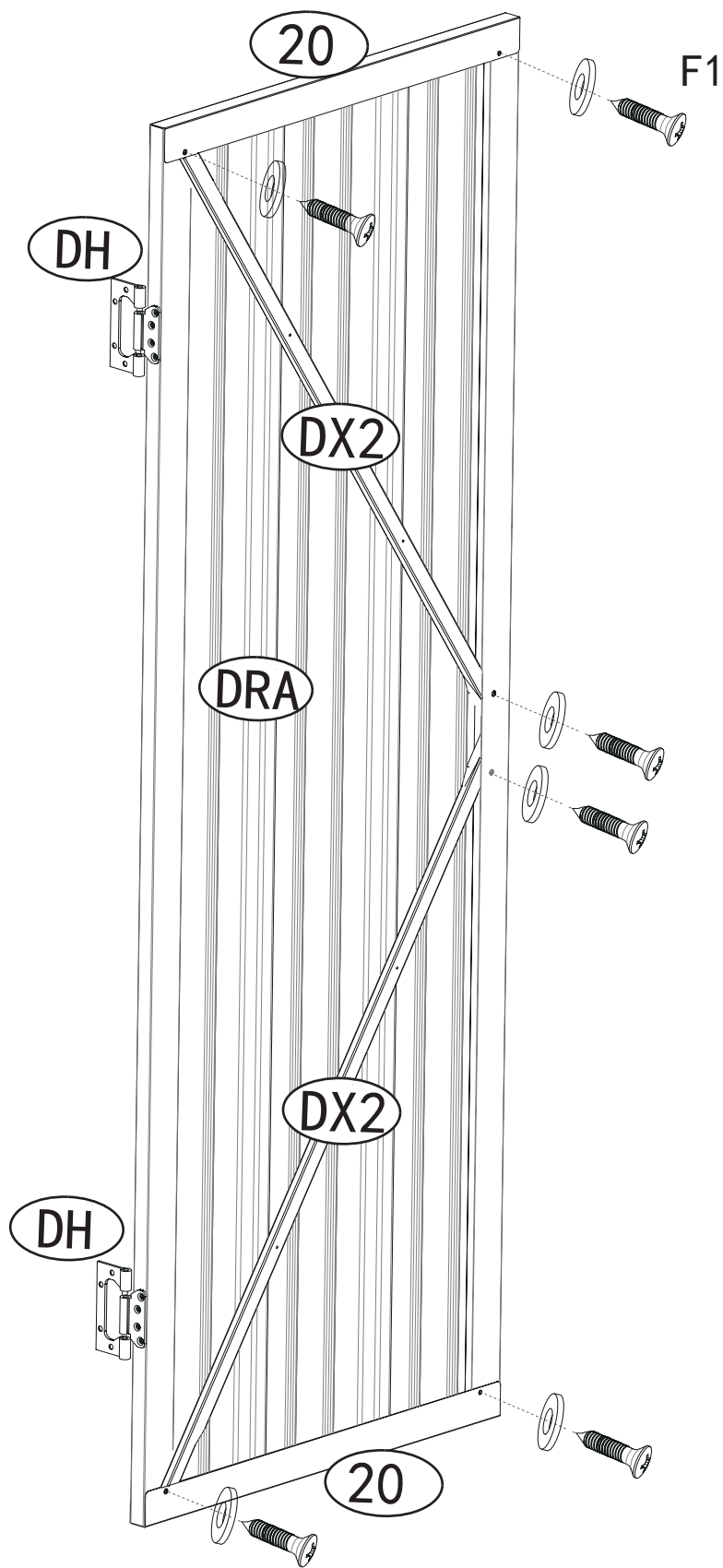
NO.	PART	Qty.
20		2
DRA		1





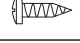
NO.	PART	Qty.
DG		1
F4		3
F1		8
V1		8

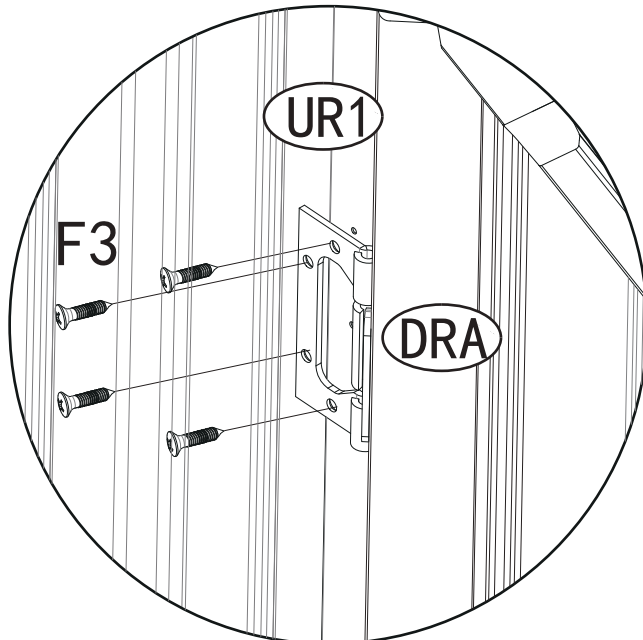


NO.	PART	Qty.
DX2		2
DH		2
F1		6
F3		8
V1		6




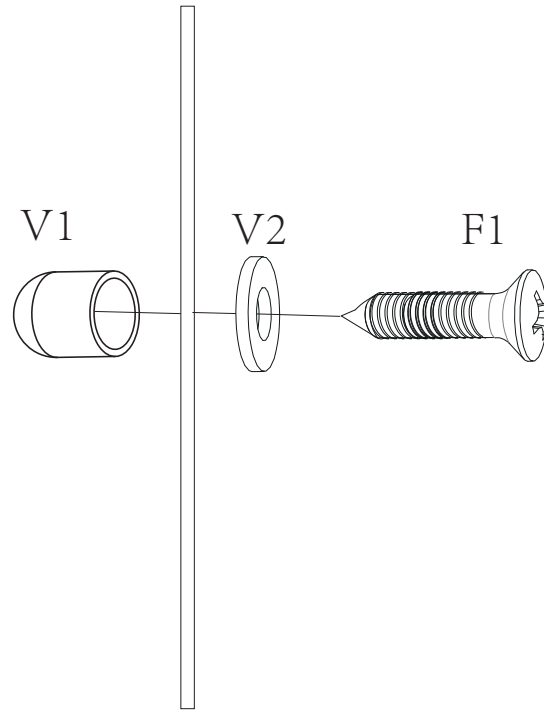
X2

NO.	PART	Qty.
DRA		1
DLA		1
F3		16



X4

NO.	PART	Qty.
V1		50



Put it on the screw tip to prevent injury

