

ASSEMBLY INSTRUCTIONS

# STORAGE BOX

SKU: T-PSB22-0093A

BE  
YOUR  
LIFE BUILDER

[www.patiowell.com](http://www.patiowell.com)



Patiowell

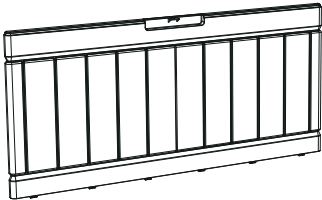
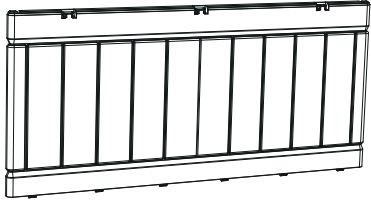
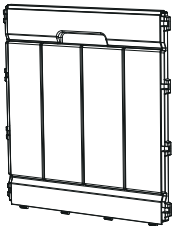
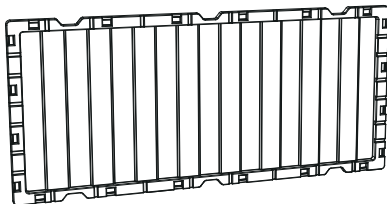
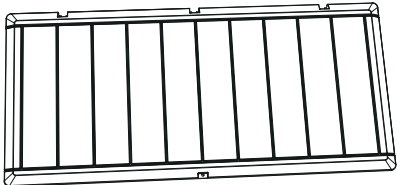
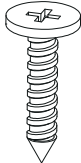
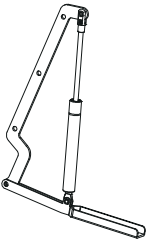
Storage Box  
Installation Tutorial

<https://www.patiowell.com/pages/video-t-psb22-0093a>

 [saleservice@patiowell.com](mailto:saleservice@patiowell.com)

# Parts

Check and make sure you get the components on the list, contact us for any missing.

|   |  |    |   |  |    |
|---|--|----|---|--|----|
| A | <br>Front box piece | X1 | B | <br>Rear box piece         | X1 |
| C | <br>Side box piece  | X2 | D | <br>Bottom plate           | X1 |
| E | <br>Cover         | X1 | F | <br>Self-tapping screws | X8 |
| H | <br>Gas rod       | X2 |   |  |    |



**Tips: DO NOT** tighten any screws until all the parts are put together.

# Assembly steps

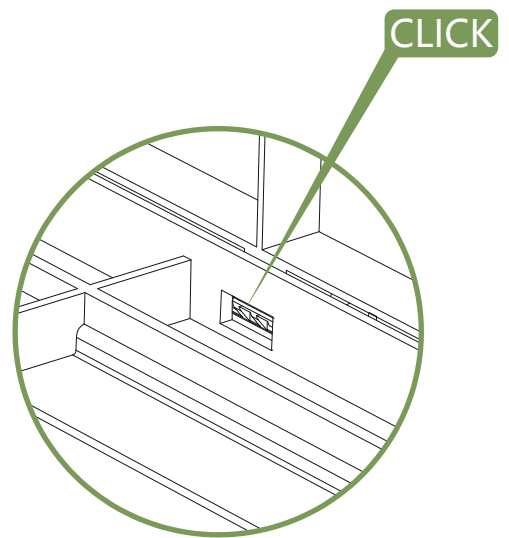
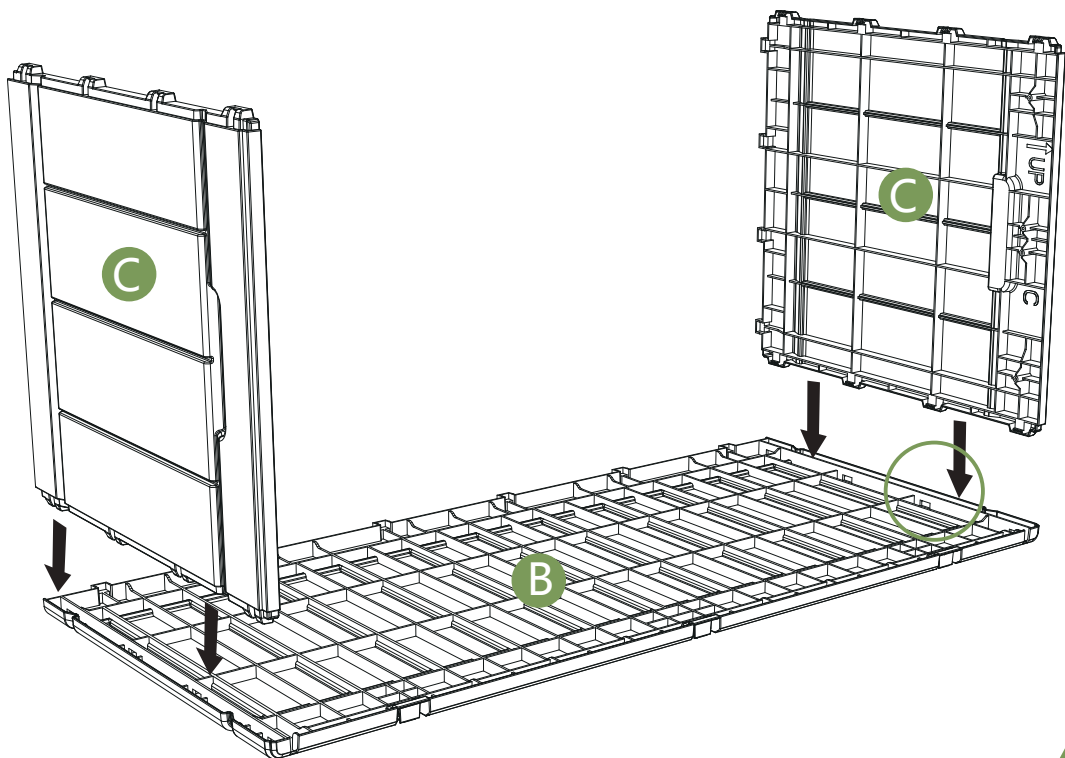
Step 1



B (X1)

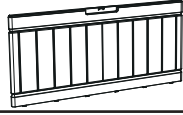


C (X2)



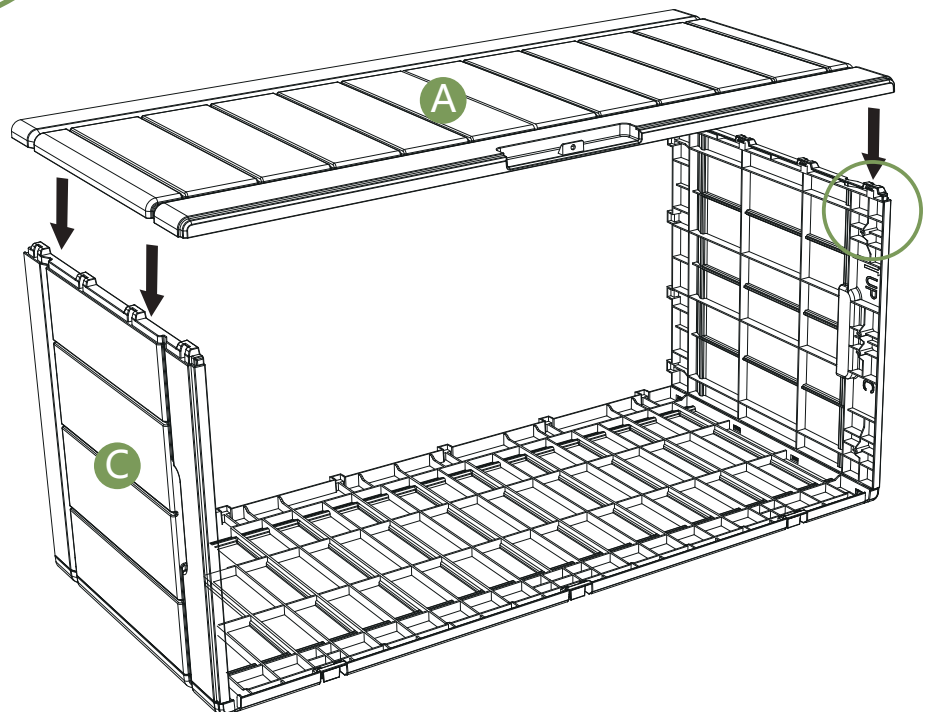
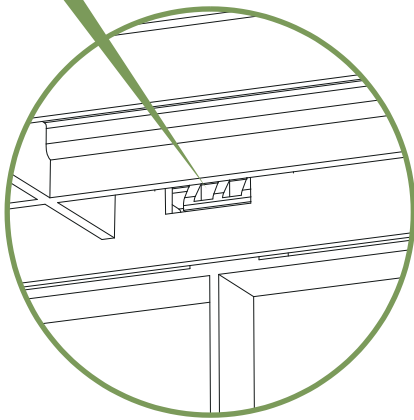
# Assembly steps

Step 2



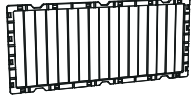
A (X1)

CLICK



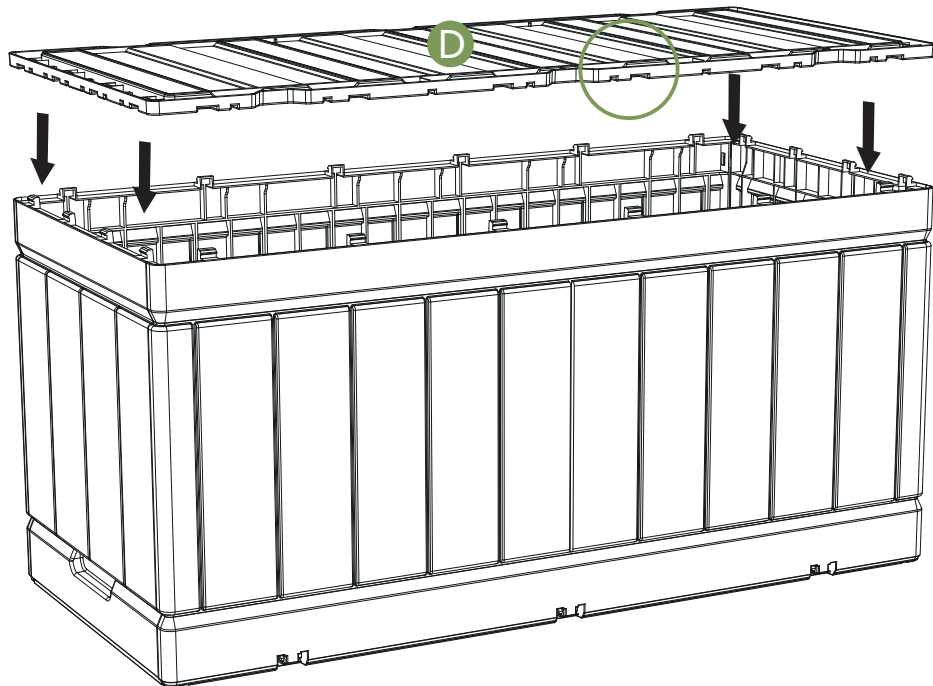
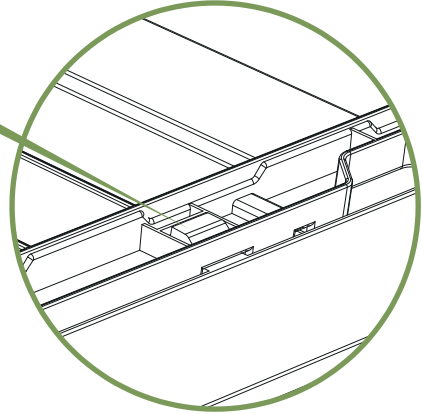
# Assembly steps

Step 3



D (X1)

CLICK

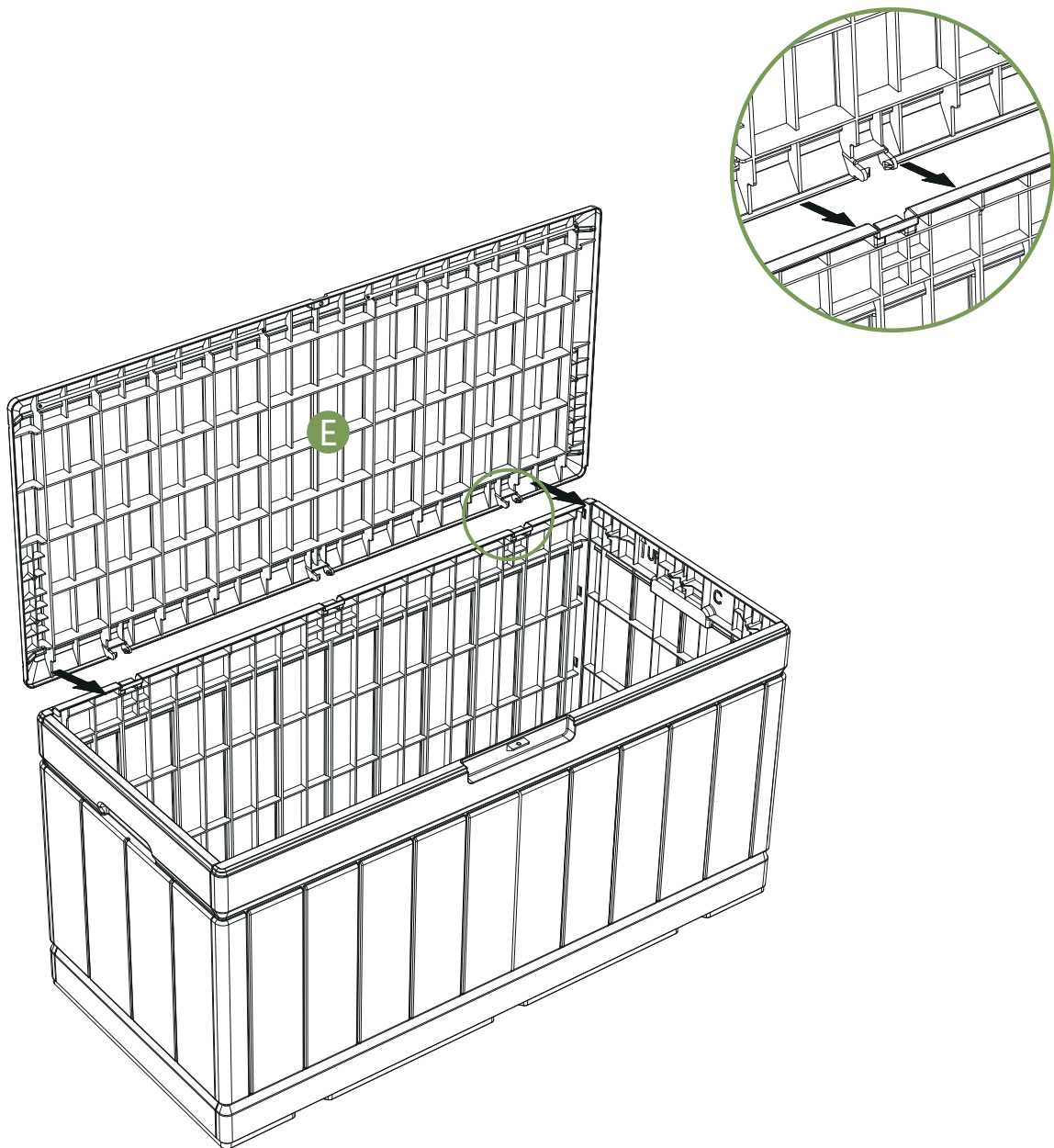


# Assembly steps

Step 4



E (X1)

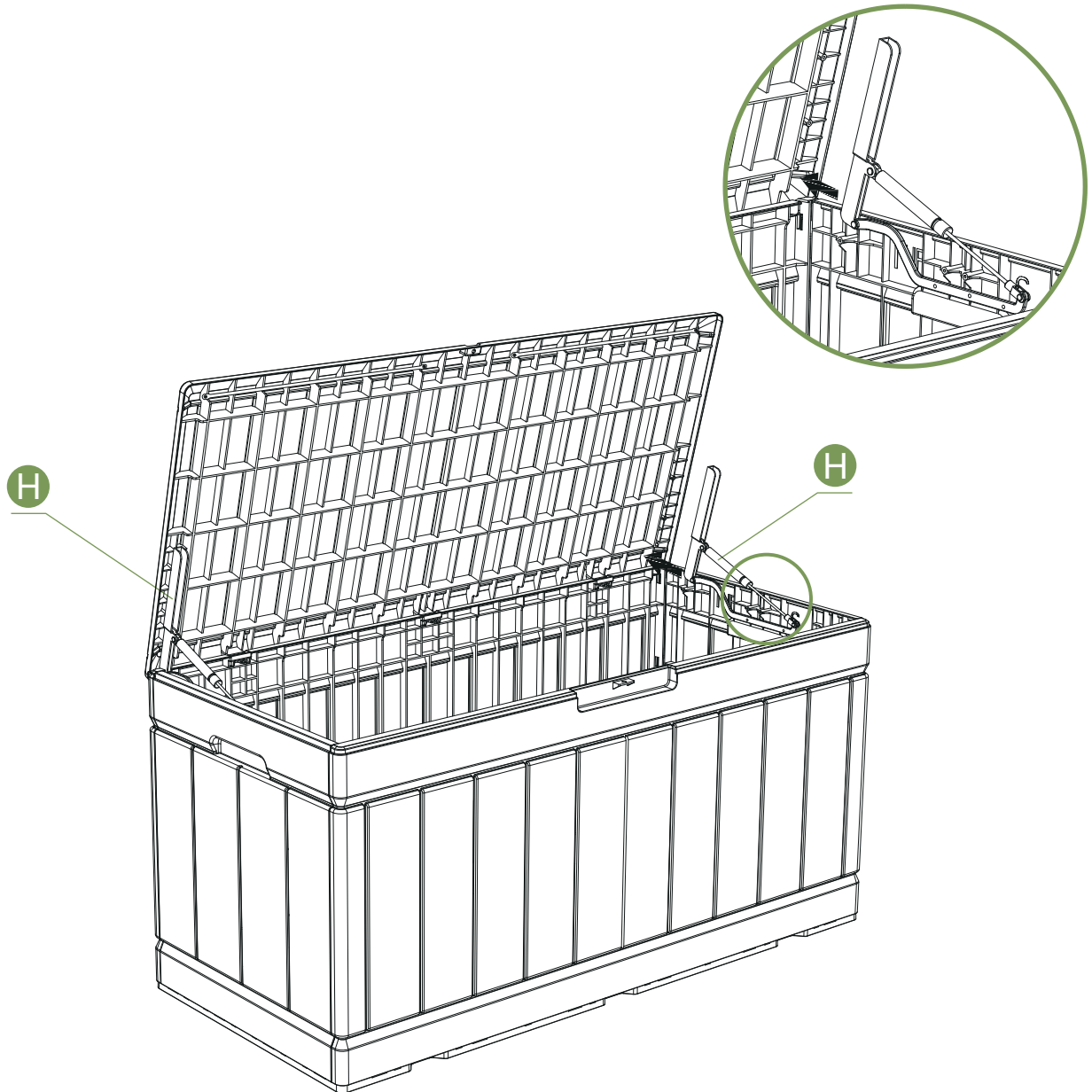


# Assembly steps

Step 5

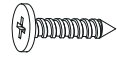


H (X2)

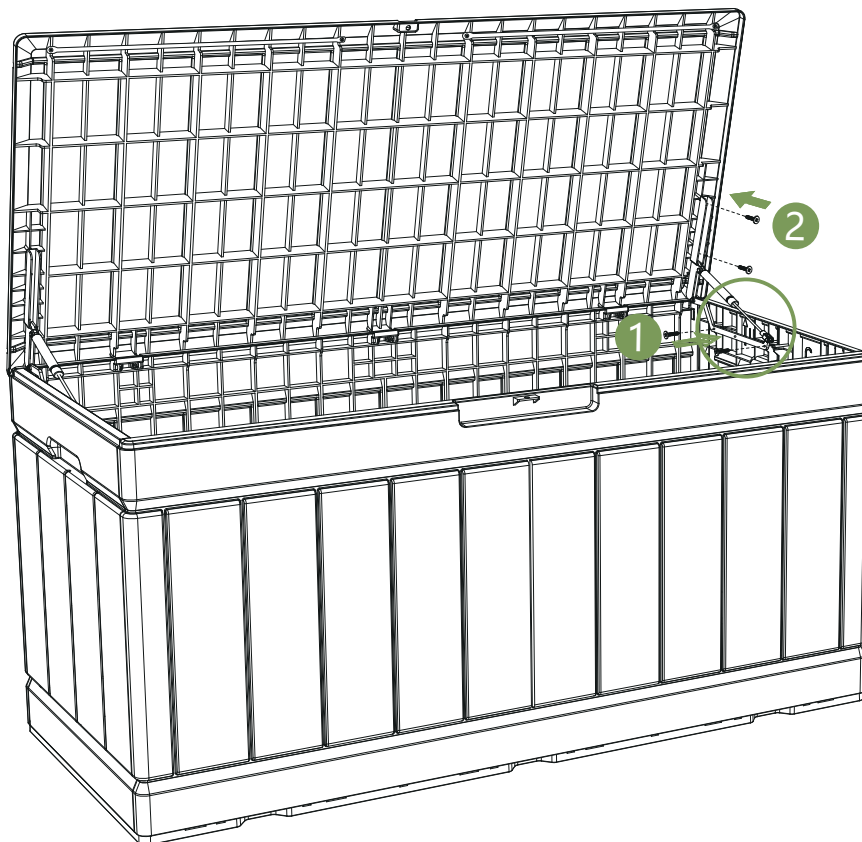
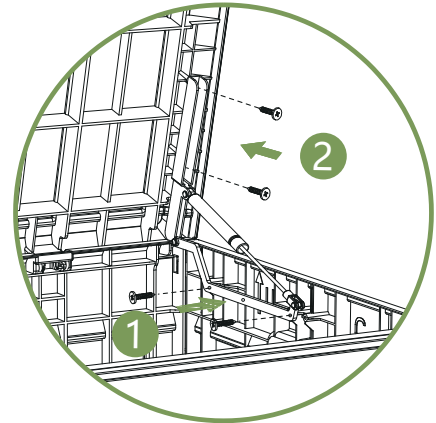


# Assembly steps

Step 6



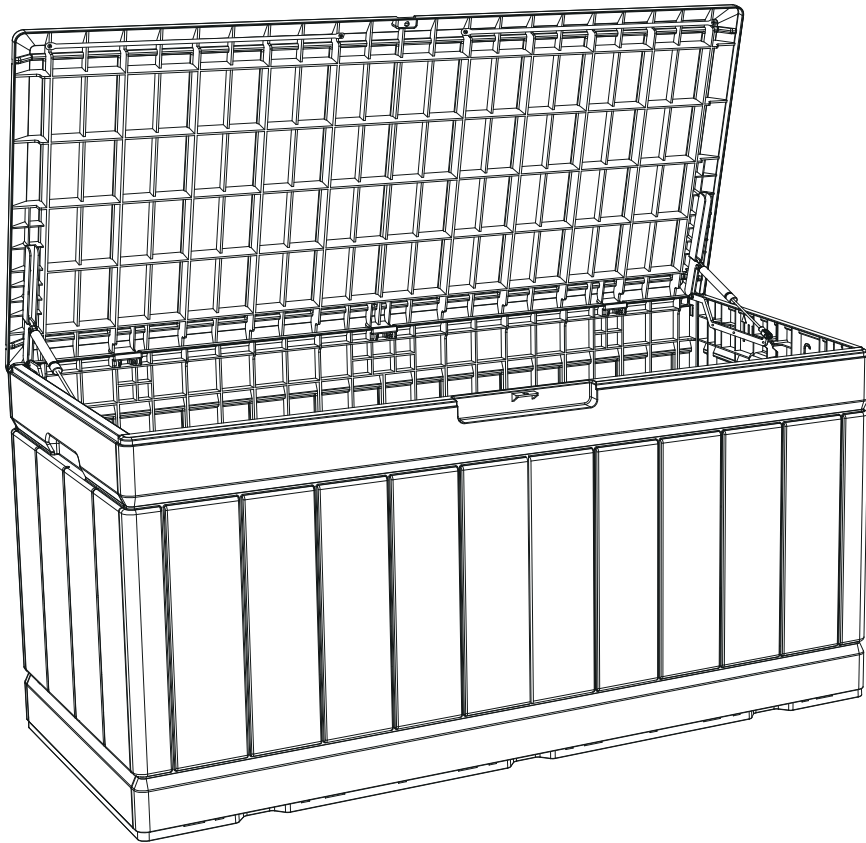
F (X8)





# Assembly steps

## Step 7



# Assembly steps

## Step 8

